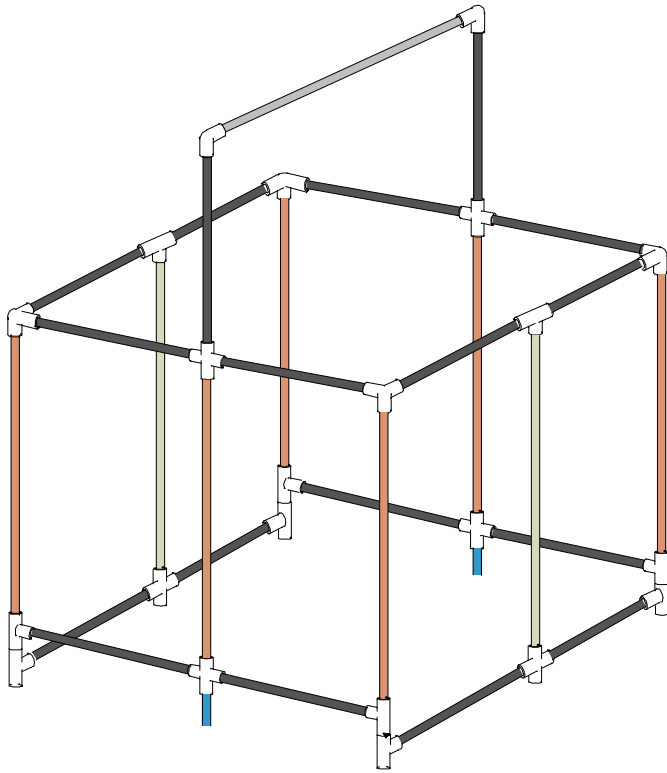
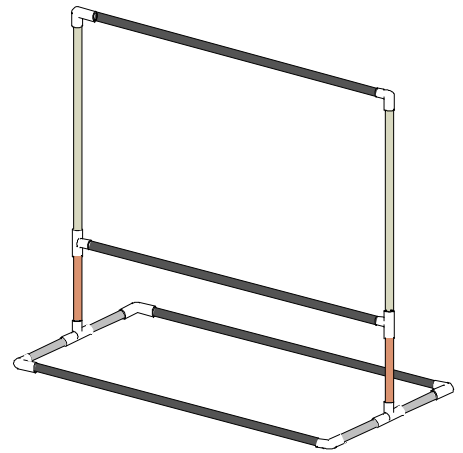


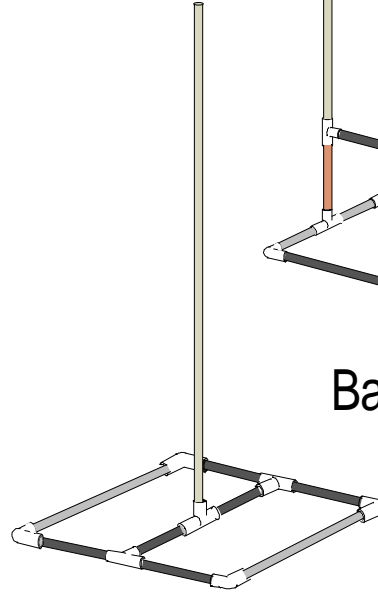
Perfectly Versatile Campsite



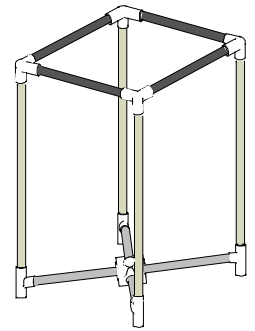
Food Preparation Table



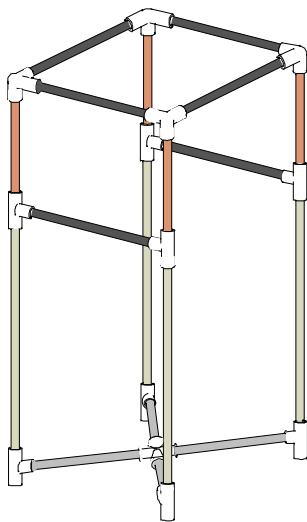
Banner Frame



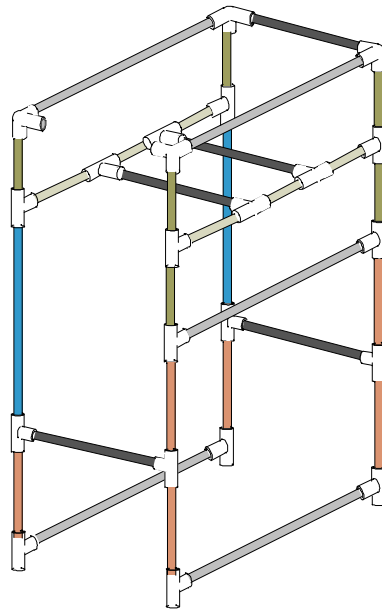
Flag Pole



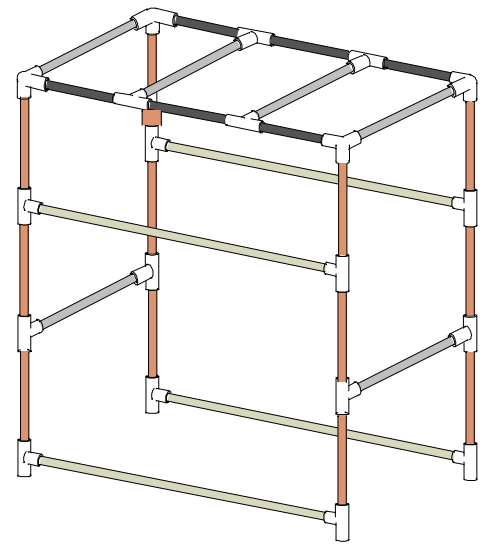
Trash Stand



Wash Stand

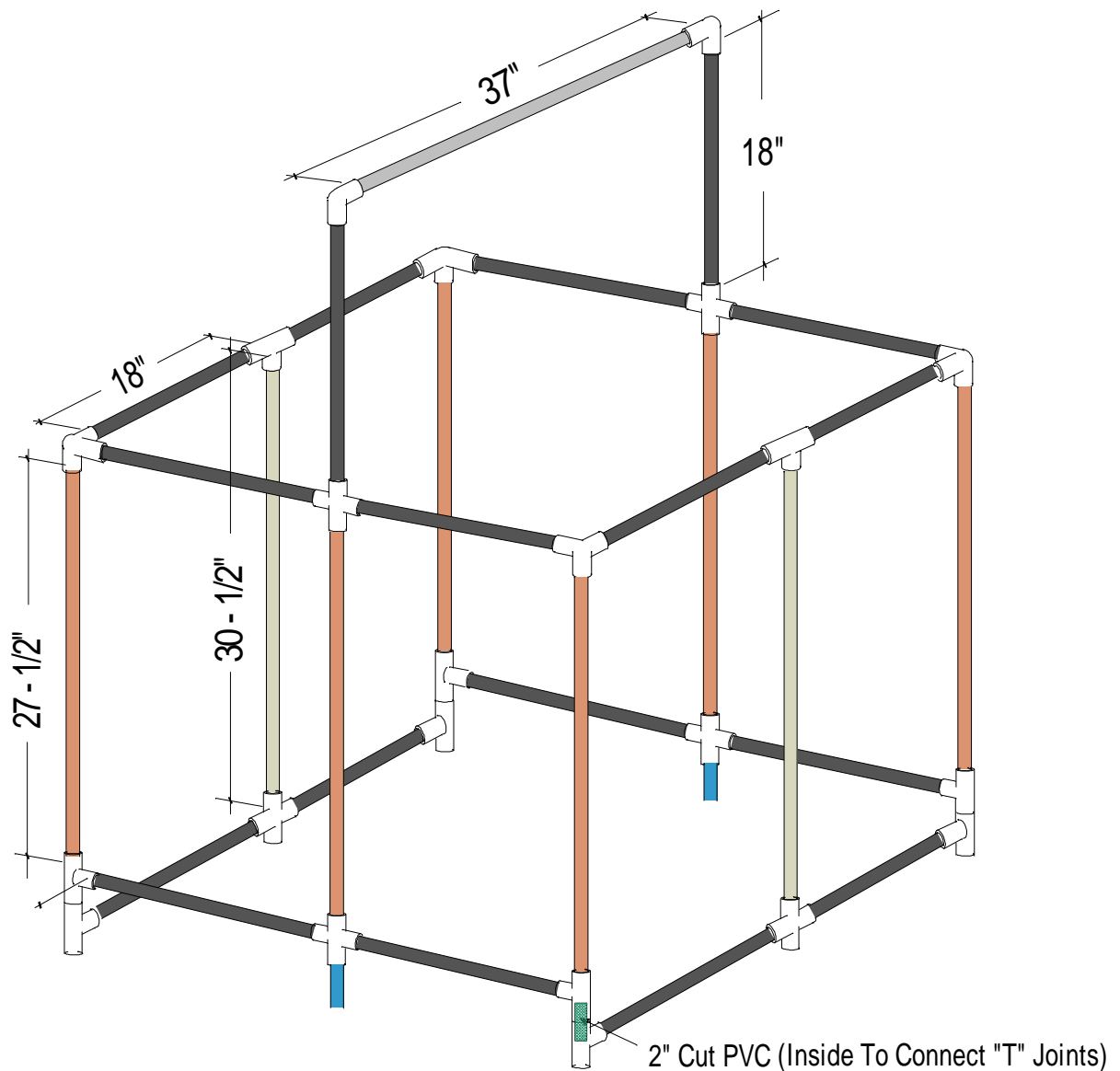


Hand Wash Stand







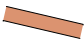
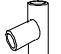

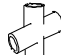

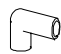
Dishwashing Stand

Food Preparation Table

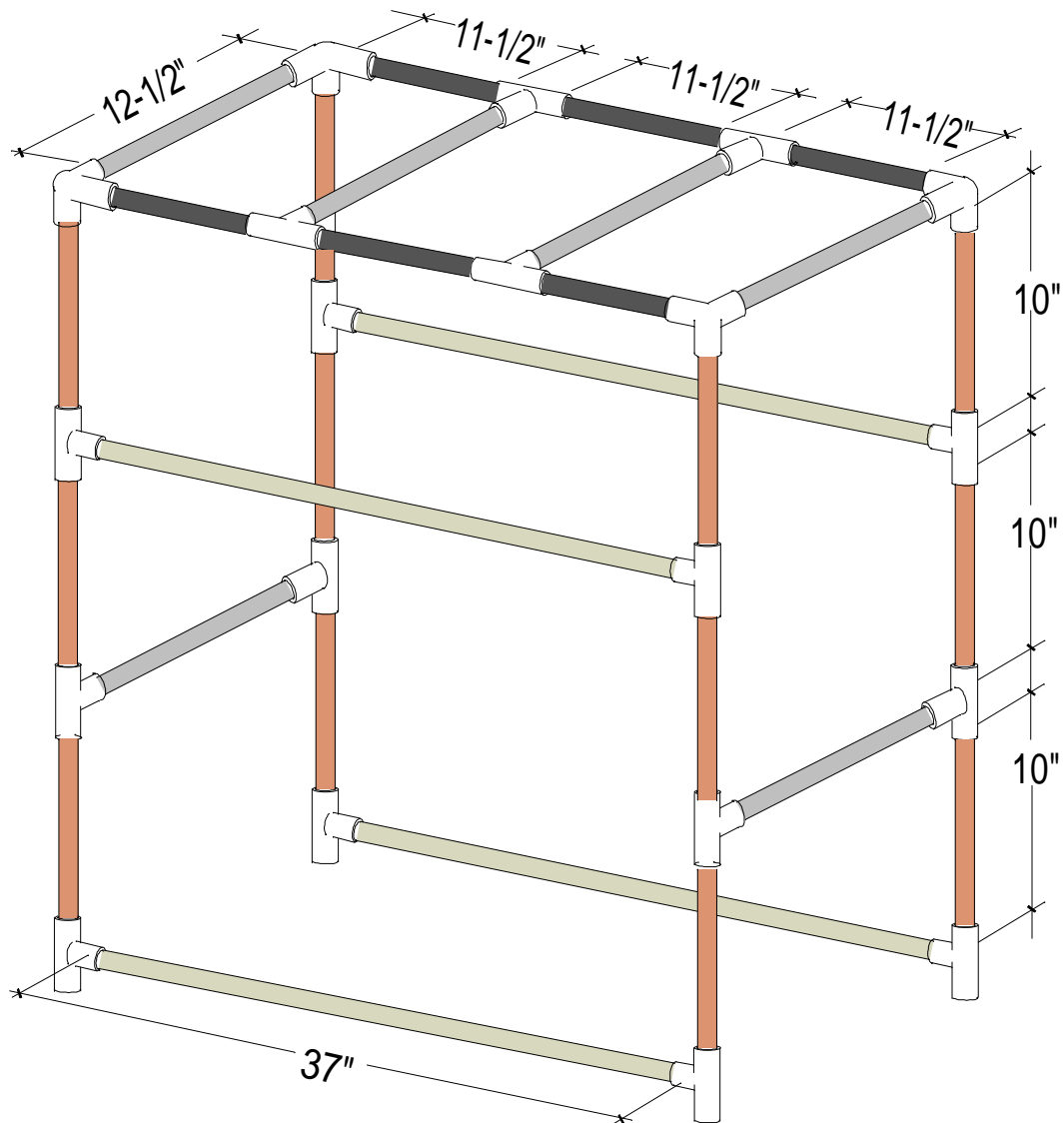


Materials List



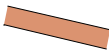

** See pages 10 and 11 for Design Notes*

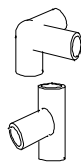
	(1) 37" Cut PVC		(4) 2" Cut PVC (To Connect "T" Joints)
	(18) 18" Cut PVC		(4) 90 Slip Side Outlet 90 Degree El
	(6) 27 - 1/2" Cut PVC		(10) 90 Degree T - Socket
	(2) 30 - 1/2" Cut PVC		(6) Cross Socket
	(2) 4" Cut PVC		(2) 90 Degree El - Socket
All PVC is 3/4" Schedule 40			

Dishwashing Stand



Materials List * See pages 10 and 11 for Design Notes

-  (6) 12 - 1/2" Cut PVC
-  (6) 11 - 1/2" Cut PVC
-  (12) 10" Cut PVC
-  (4) 37" Cut PVC

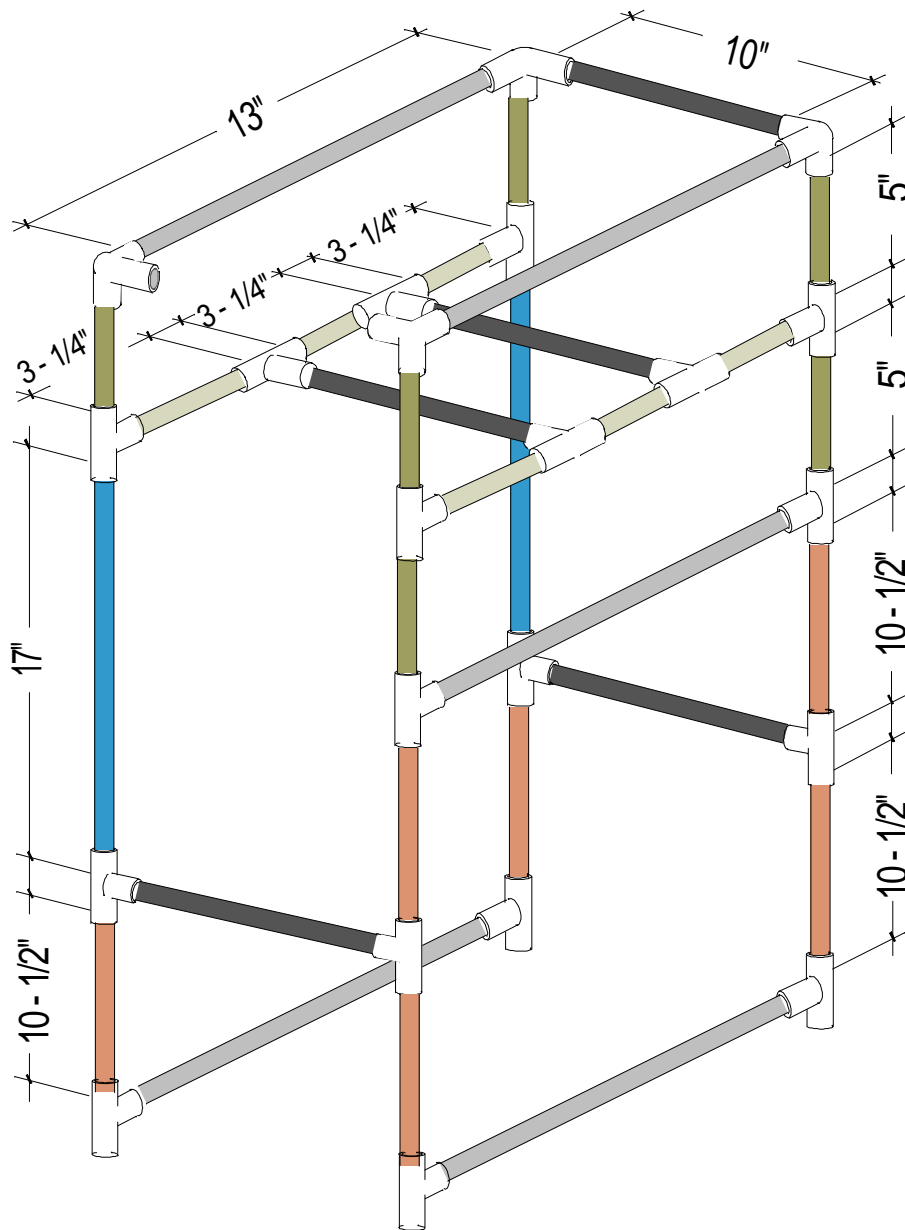


(4) Slip Side Outlet 90 Degree El

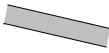

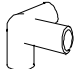


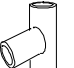
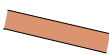

(16) 90 Degree T - Socket

All PVC is 3/4" Schedule 40

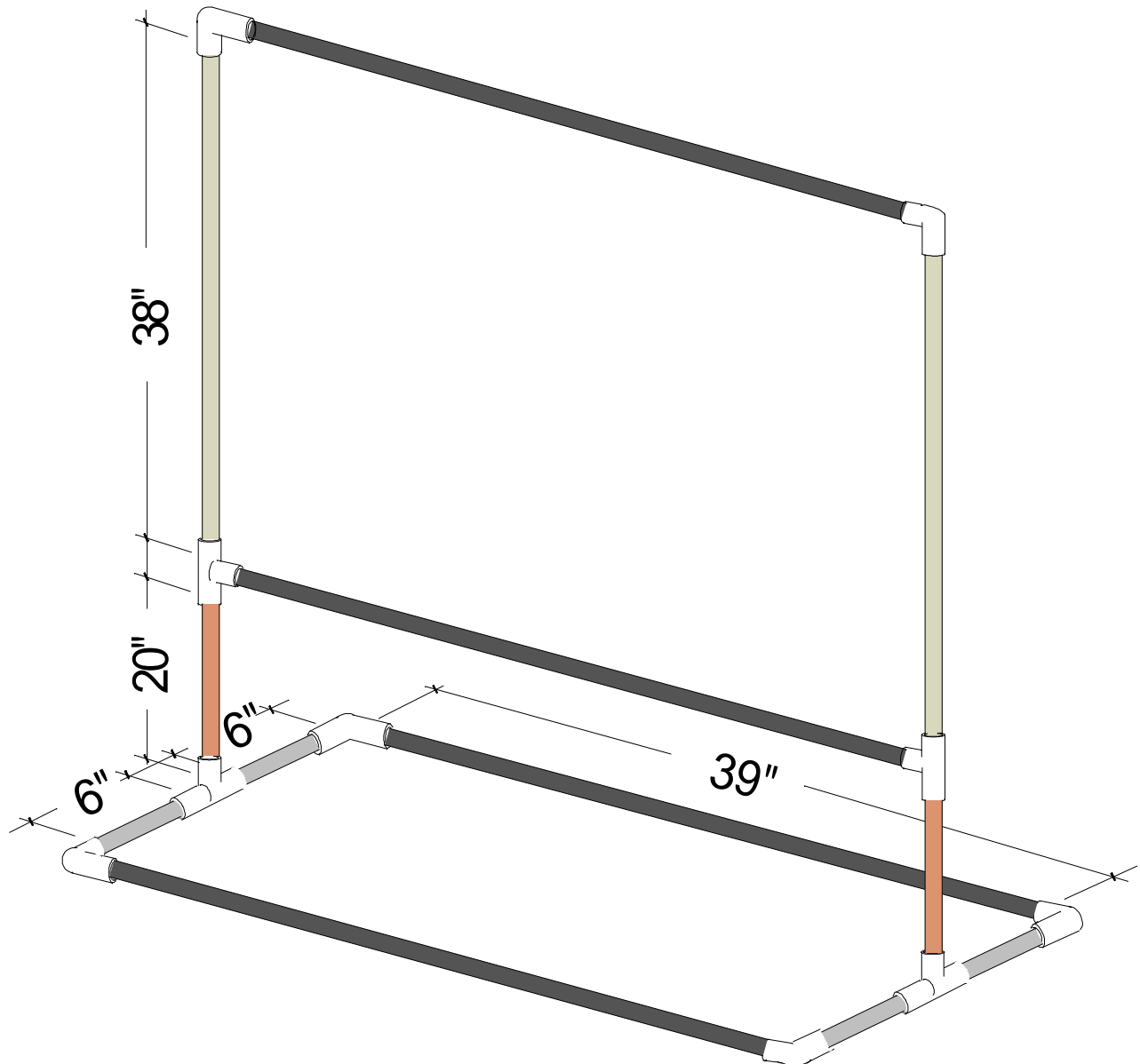
Hand Wash Stand



Materials List ** See pages 10 and 11 for Design Notes*

- | | | |
|---|---|--|
|  (5) 13" Cut PVC |  (6) 5" Cut PVC |  (4) Slip Side Outlet 90 Degree El |
|  (5) 10" Cut PVC |  (2) 17" Cut PVC |  (18) 90 Degree T - Socket |
|  (6) 10 - 1/2" Cut PVC | | |
|  (6) 3 - 1/4" Cut PVC | | |
- All PVC is 3/4" Schedule 40

Banner Frame



Materials List ** See pages 10 and 11 for Design Notes*

(4) 6" Cut PVC

(4) 39" Cut PVC

(2) 20" Cut PVC

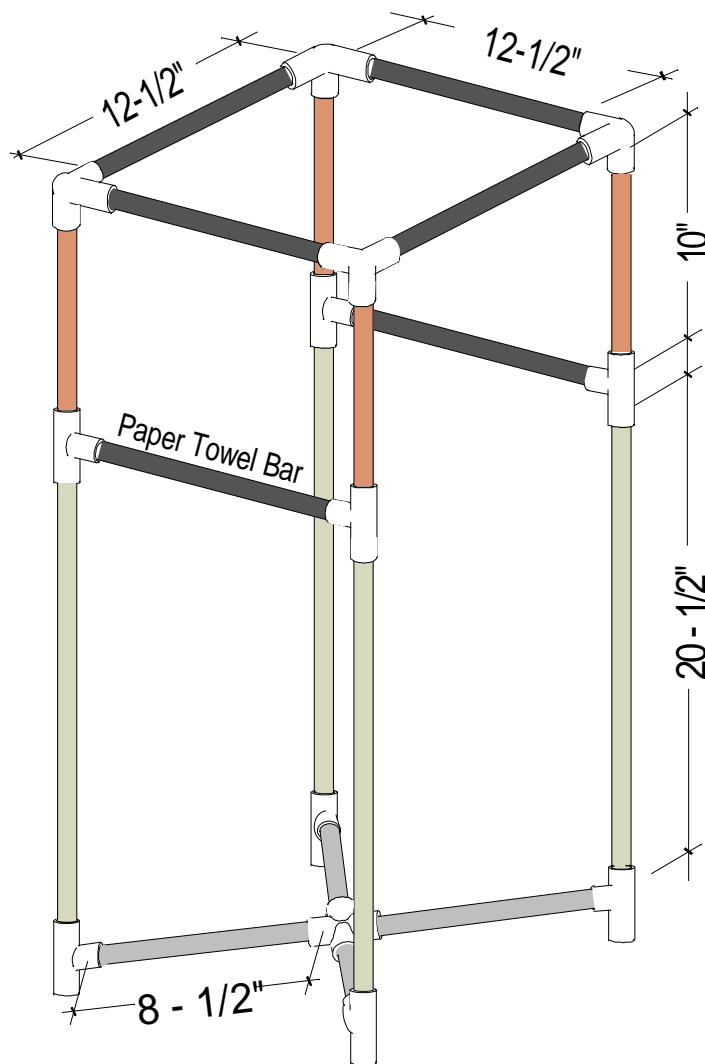
(2) 38" Cut PVC

(6) 90 Degree El - Socket

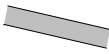
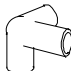

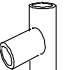
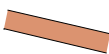
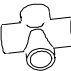

(4) 90 Degree T - Socket

All PVC is 3/4" Schedule 40

Wash Stand

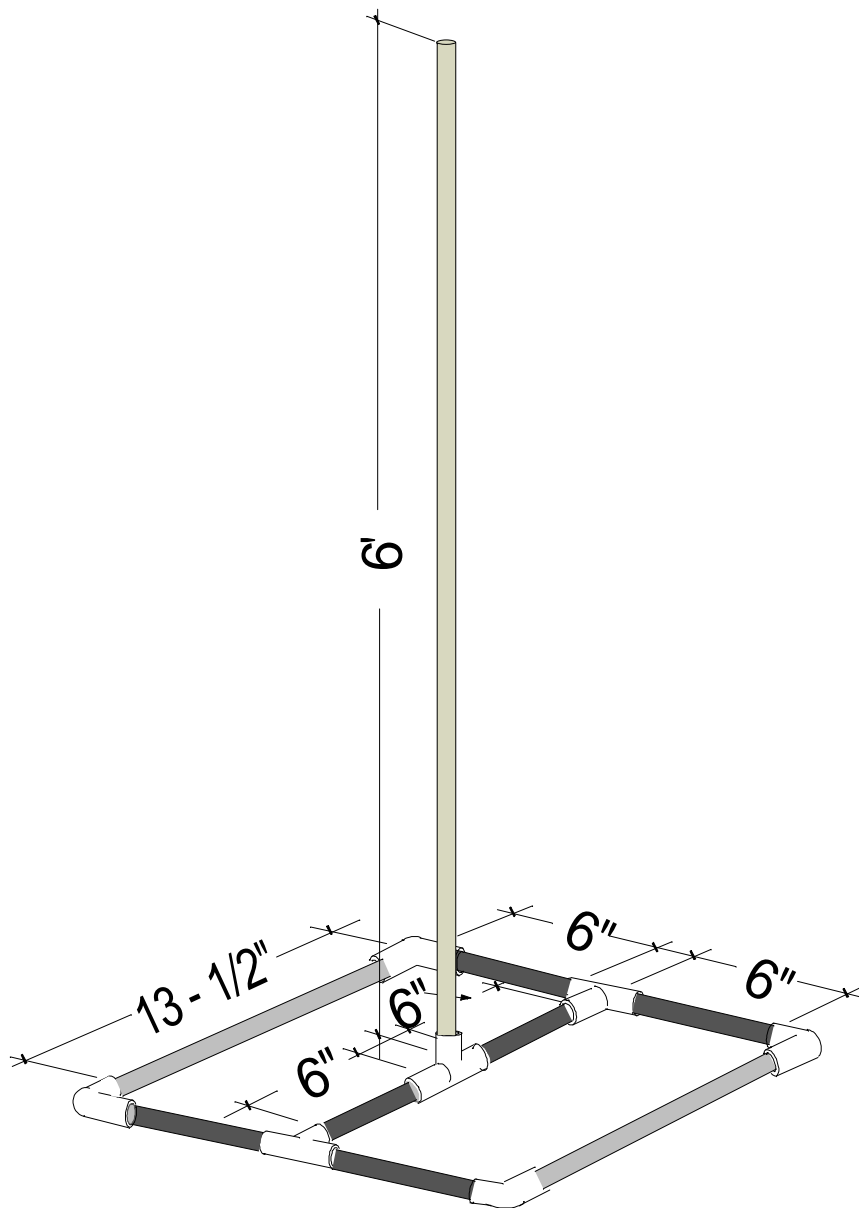


Materials List ** See pages 10 and 11 for Design Notes*




- | | |
|---|---|
|  (4) 8 - 1/2" Cut PVC |  (4) Slip Side Outlet 90 Degree El |
|  (6) 12 - 1/2" Cut PVC |  (8) 90 Degree T - Socket |
|  (4) 10" Cut PVC |  (1) Cross Socket |
|  (4) 20 - 1/2" Cut PVC | |

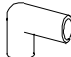
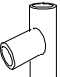
All PVC is 3/4" Schedule 40

Flag Pole



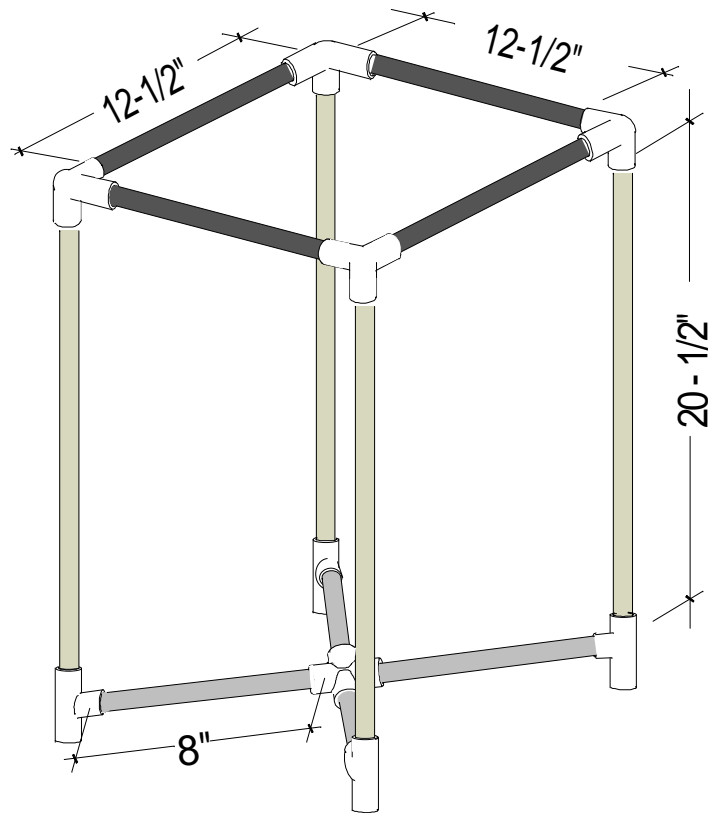
Materials List ** See pages 10 and 11 for Design Notes*

-  (2) 13 - 1/2" Cut PVC
-  (6) 6" Cut PVC
-  (1) 6' Cut PVC

-  (4) 90 Degree El - Socket
-  (3) 90 Degree T - Socket

All PVC is 3/4" Schedule 40

Trash Stand



Materials List ** See pages 10 and 11 for Design Notes*

(4) 8" Cut PVC

(4) 12 - 1/2" Cut PVC

(4) 20 - 1/2" Cut PVC



(4) Slip Side Outlet 90 Degree El



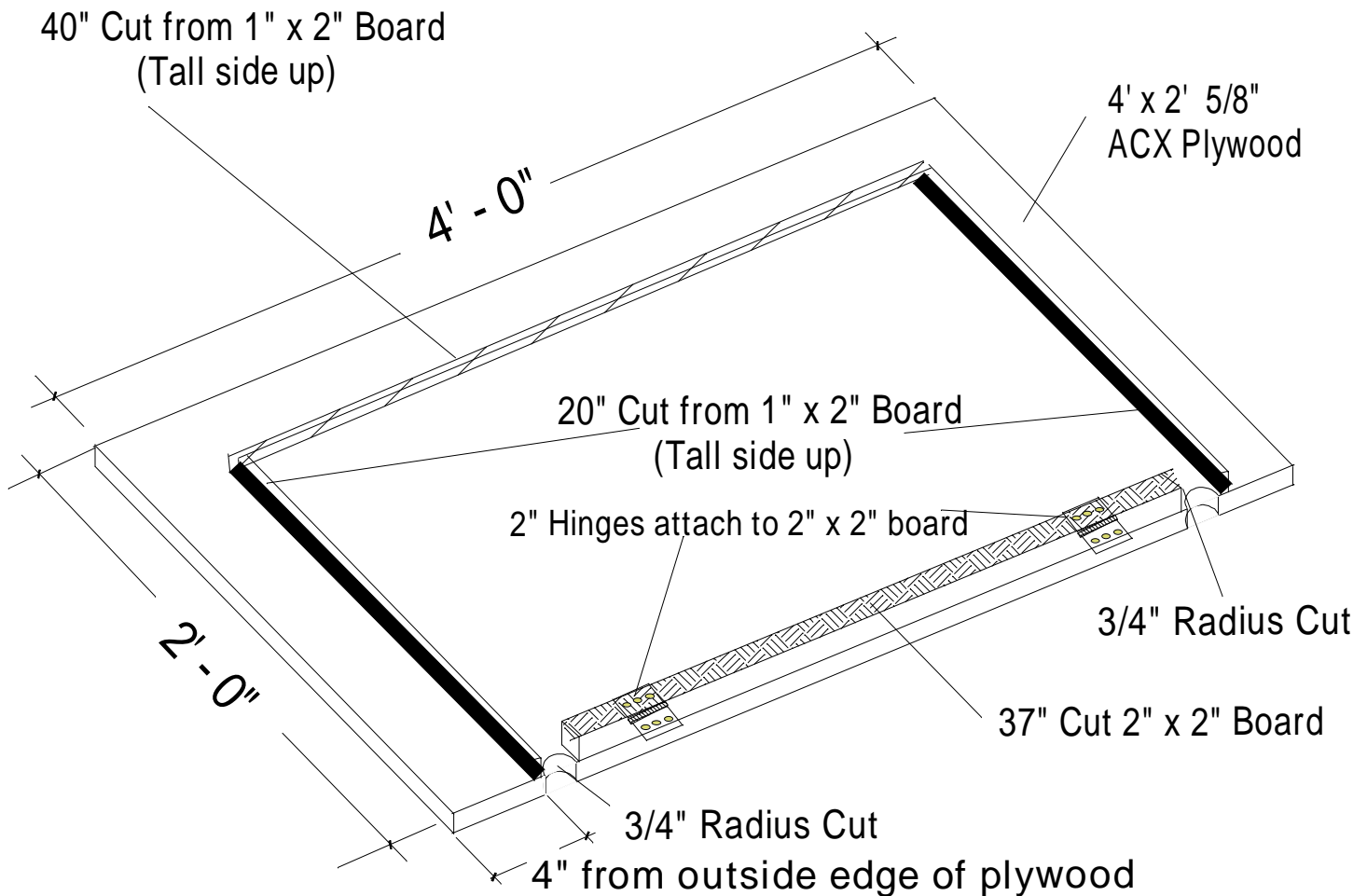
(4) 90 Degree T - Socket



(1) Cross Socket




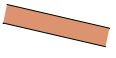
All PVC is 3/4" Schedule 40

Table Top



Note: Above figure is the bottom view of 1 of 2 sides of table top.
 The 2 sides are attached with (2) 2" hinges when top is folded.
 All edges of ACX Plywood should be beveled and sanded.
 When folded, two sides will make a box which can store table pieces.
 A hook & eye can be used to secure two side closed.

Materials List ** See pages 10 and 11 for Design Notes*

-  (2) 4' x 2' 5/8" ACX Plywood
-  (4) 20" Cut 1" x 2" Board
-  (2) 40" Cut 1" x 2" Board
-  (2) 37" Cut 2" x 2" Board
- (24) 1-1/2" Wood Screws