



How to Operate  
and Care for  
your

..... **Crosman** .....

SERIES 150 + 157

*Pellgun*

SHOOTING'S THREE TIMES  
MORE FUN  
with a  
**Crosman**

**Specifications:**

|                |             |
|----------------|-------------|
| Barrel length  | 6"          |
| Overall length | 9"          |
| Weight of gun  | 1 lb. 9 oz. |
| Model 150      | .22 Cal.    |
| Model 157      | .177 Cal.   |



## Model 150 Series CO<sub>2</sub> Pelgun Pistol - Operating

### To Charge Pistol With CO<sub>2</sub>:

Make certain there is no pellet in Barrel. Fire pistol to exhaust residual gas.

1. Unscrew and remove knurled Tube Cap (If unable to turn by hand DO NOT attempt to remove with pliers or other tools as this denotes the gun is under pressure). Hold muzzle end down and used Powerlet will drop out.
2. Insert Powerlet in Tube, neck down. Screw Tube Cap firmly into place by hand.
3. Cock pistol to full power position. (Pistol has two ranges of power. First click of cocking rod is for minimum power, Second click is for maximum power). Pull Trigger to pierce Powerlet and to release gas in Chamber. Pelgun is now ready for loading and shooting.

### To Load and Shoot Pistol:

1. Put Safety bar on "Safe" by pushing to right.

Never use steel darts or other hard missiles. Use only Crosman Super Pellets for accuracy and long barrel life.

### Instructions..

2. Turn Breech Cover and draw back to open Breech. Place pellet (nose forward) in Breech Loading recess. Advance Breech Cover and turn to right for locking.
3. Cock pistol, to power of your choice, by pulling Cocking Button until it clicks. Button will automatically return to position.
4. Select target, push Safety to left for "Fire" position, red band visible, aim and shoot.

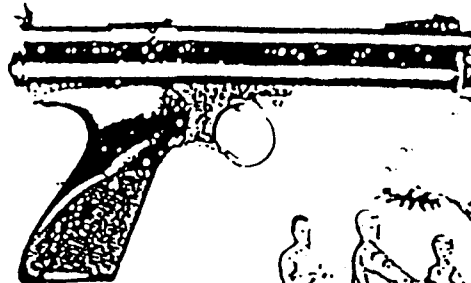
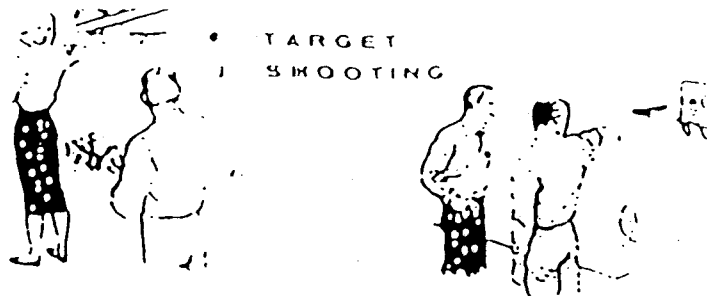
### To Unload Pellet from Barrel:

Put Safety bar on "Safe" by pushing to right. Open Breech Cover. Insert 3/16" ram rod in muzzle end of Barrel and push pellet out into loading channel. DO NOT ATTEMPT to shoot a lodged pellet out with another pellet.

### Care of Pelgun:

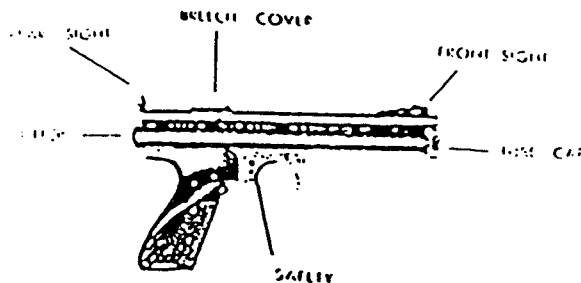
The Model 150 Series Crosman CO<sub>2</sub> Pelgun Pistol is a precision built gun of the most modern design and construction. Materials have been carefully selected for quality and long life. Before it is released for shipment, it has passed numerous rigid inspections and has been test fired for performance. Treat it with the same fine care that you give your other valued possessions and it will give you many hours of carefree pleasure and enjoyment.

Lubricate all moving parts sparingly with light machine oil as needed. Wipe off blued steel parts with an oily rag to prevent rust and preserve the finish. DO NOT USE special penetrating oils as they may be harmful to valve seats.



## SHOOTING FUN

### Single Shot CO<sub>2</sub> Gas powered Pistol



### OPERATING INSTRUCTIONS

#### TO CHARGE WITH CO<sub>2</sub>:

Make certain there is no pellet in Barrel. Fire pistol to exhaust residual gas.

1. Unscrew and remove Knurled Tube Cap. (If unable to turn by hand DO NOT attempt to remove with pliers or other tools as this denotes the gun is under pressure). Hold muzzle end down and used Powerlets will drop out.
2. Insert Powerlet in Tube, neck down. Screw Tube Cap firmly into place by hand.
3. Cock pistol to full power position. (Pistol has two ranges of power. First click of cocking rod is for minimum power, second click is for maximum power). Pull Trigger to pierce Powerlet and to release gas in Chamber. Pistol is now ready for loading and shooting.
4. Recock pistol immediately to allow valve to close, preventing loss of CO<sub>2</sub> gas.

IMPORTANT: A FEW DROPS OF OIL IN THE TUBE WHEN RECHARGING WITH CO<sub>2</sub> WILL AID IN SEALING THE "O" RINGS AND PREVENT GAS FROM ESCAPING.

#### TO LOAD and SHOOT

1. Put Safety bar on "Safe" by pushing to right.
2. Turn Breech Cover and draw back to open Breech. Place pellet (nose forward) in Breech Loading recess. Advance Breech Cover and turn to right for locking.
3. Cock pistol, to power of your choice, by pulling Cocking Button until it clicks. Button will automatically return to position.
4. Select target, push Safety to left for "Fire" position, red band visible, aim and shoot.

#### TO UNLOAD PELLET FROM BARREL

Put Safety bar on "Safe" by pushing to right. Open Breech Cover. Insert 3/16" ram rod in muzzle end of barrel and push pellet out into loading channel. DO NOT ATTEMPT to shoot a lodged pellet out with another pellet.

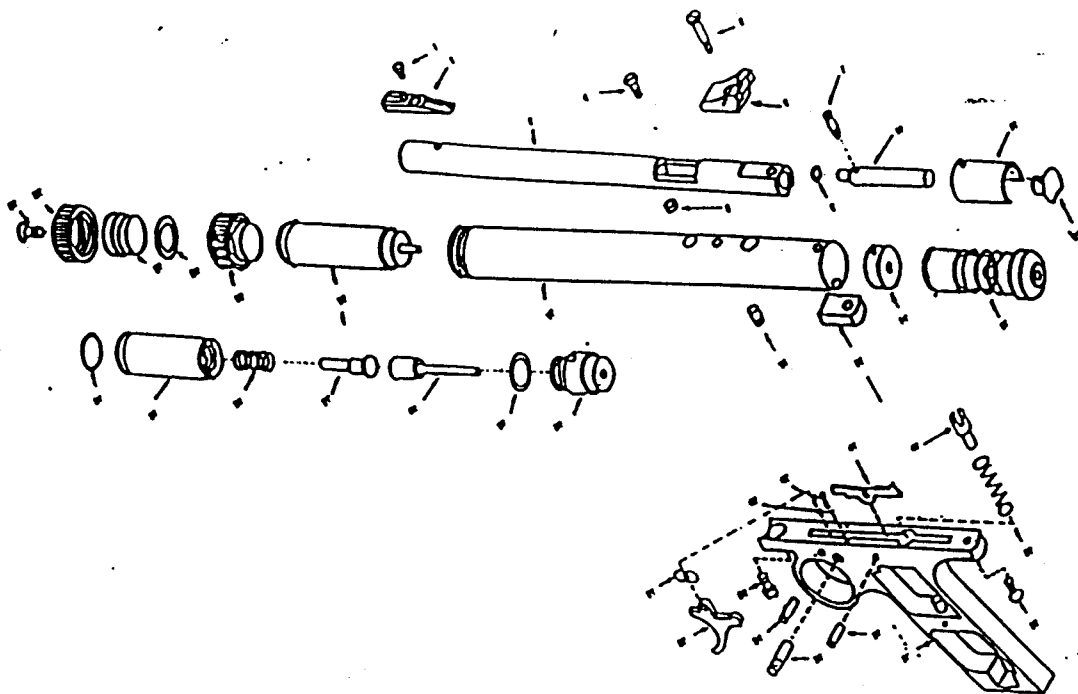
#### CARE OF PISTOL:

1. Pellet Pistol is a precision built gun of the most modern design and construction. Materials have been carefully selected for quality and long life. Before it is released for shipment, it has passed numerous rigid inspections and has been tested for performance. Treat it with the same fine care that you give your other valued possessions and it will give you many hours of carefree pleasure and enjoyment.
2. Lubricate all moving parts sparingly with **Crosman Airgun Oil** as needed. Wipe off blue steel parts with an oily rag to prevent rust and preserve the finish. DO NOT USE Special penetrating oils as they may be harmful to valve seats.
3. Crosman Super Pellet and Extra Capacity Powerlets are recommended for best performance in this pistol. DO NOT expose charged pistol or Powerlets to excessive heat.

#### REPAIR SERVICE:

Should repair service be required on this pistol

Postal Regulations prohibit the mailing of any pistol by an individual.



### List of Parts and Assemblies:

| REF. NO. | PART NO. | PART NAME           | REF. NO. | PART NO. | PART NAME           |
|----------|----------|---------------------|----------|----------|---------------------|
| 1        | 150-60   | Front Sight Screw   | 23       | 105-12   | Connecting Screw    |
| 2        | 150-65   | Barrel              | 24       | 150-67   | "O" Ring            |
| 3        | 150-66   | Front Sight         | 25       | 150-4    | Piercing Body       |
| 4        | 150-94A  | Kold Draw Screw     | 26       | 111-26   | Check Valve Spring  |
| 5        | 150-67   | Rear Sight Screw    | 27       | 150-8    | Piercing Pin        |
| 6        | 150-64   | Rear Sight          | 28       | 150-60   | Valve Stem Assembly |
| 7        | 150-61   | Breech Bolt Screw   | 29       | 150-28   | "O" Ring            |
| 8        | 150-39   | Breech Gasket       | 30       | 150-5    | Exhaust Valve       |
| 9        | 150-31   | Bolt "O" Ring       | 31       | 111-67   | Take Up Spring      |
| 10       | 150-30   | Breech Bolt         | 32       | 105-17   | Trigger             |
| 11       | 150-16   | Breech Cover        | 33       | 150-10   | Front Frame Screw   |
| 12       | 150-67   | Breech Plug         | 34       | 105-41   | Trigger Pin         |
| 13       | 150-42   | Kammer Assembly     | 35       | 105-34   | Safety              |
| 14       | 150-16   | Small Tube Plug     | 36       | 105-67   | Sear Pin            |
| 15       | 150-64   | Grip Frame Assembly | 37       | 105-1    | Grip Frame          |
| 16       | 150-25   | Thrust Pin          | 38       | 105-65   | Rear Frame Screw    |
| 17       | 150-1    | Tube                | 39       | 111-30   | Sear Spring         |
| 18       | 150-41   | Valve Assembly      | 40       | 105-46   | Sear Spring Head    |
| 19       | 150-64   | Tube Cap Assembly   | 41       | 110-16   | Sear                |
| 20       | 150-44   | Rear Block "O" Ring | 42       | 105-45   | Safety Spring       |
| 21       | 150-11   | Rear Block          | 43       | 105-44   | Safety Spring Ball  |
| 22       | 150-12   | Tube Cap            |          |          |                     |

When ordering parts please designate Model number on your gun.