



SHIPPED FROM .....

E.A.A. Corporation  
3855 North U.S. Highway 1  
Cocoa , Florida 32927



MANUAL FOR:  
MOD. F.A.B. 92

#### SPECIFICATIONS

Caliber	9 mm, 41 AE, 40 SW	Height	5.50 inches / 4.5 inches
Barrel	4.50 inches / 3.5 inches	Magazine	Double Column
Length	8.12 inches / 7 inches	Trigger	single and double action
Weight	35 ounces / 30 ounces	Construction	nickel steel

#### SAFETY PROCEDURES

1. We recommend that you get competent firearms instruction in safe handling before using this firearm. Please ask your dealer. All guns can be dangerous if carelessly used. Remember that the gun user is the primary "safety" and to depend on mechanical devices is to be only half safe.
2. **DO NOT LOAD THIS PISTOL UNTIL YOU UNDERSTAND THE SAFETY.** The safety lever is located on the upper rear surface of the slide (see parts list). When the lever is moved up to expose the red dot the pistol is in the fire position. When the safety lever is moved down covering the red dot the pistol is in the safe position. ALWAYS keep the safety in the safe position until you are ready to fire.
3. **NEVER** carry this pistol with a cartridge loaded in the chamber (see loading). Load only the magazine. We recommend that you keep the safety in the safe position and always be sure the chamber is unloaded until you are ready to fire.
4. Never point this pistol at anything that is not your intended target even if the gun is unloaded. When loading, cleaning, unloading, or handling always be sure the muzzle is pointed in a safe direction.

## SAFETY PROCEDURES CONTINUED

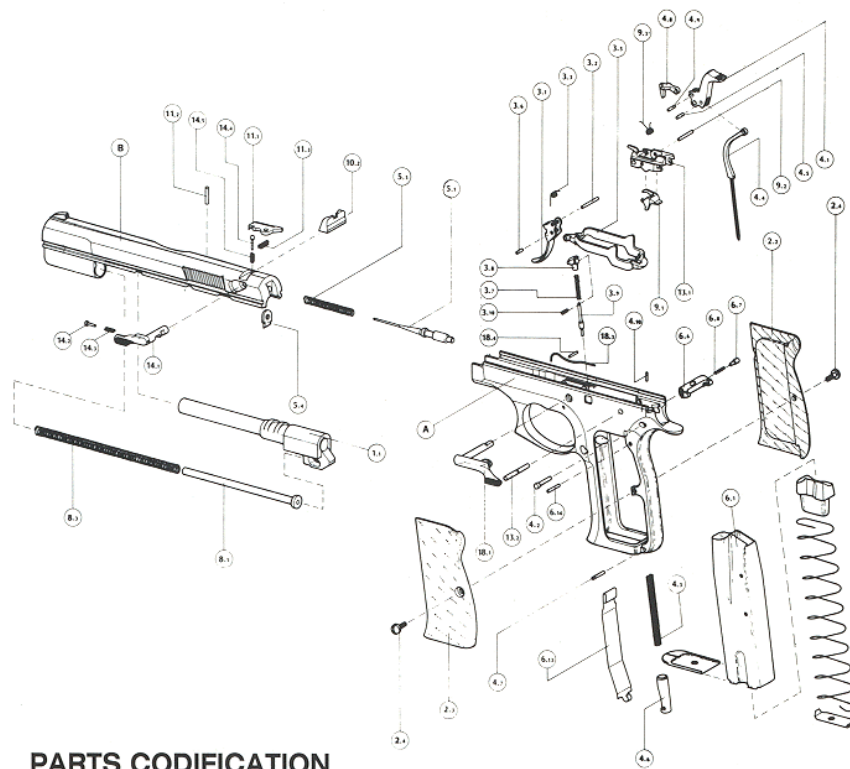
5. Never assume that this gun is unloaded. Before handling this pistol remove the magazine and retract the slide to unload any ammunition. Make sure you know the pistol is unloaded before handling. When handling this weapon it is a good idea to keep your fingers away from the trigger until you know for sure that the weapon is full unloaded.

### WARNING

ANY BORE OBSTRUCTION, EVEN IF IT IS ONLY PARTLY BLOCKED, MAY CAUSE THE GUN TO BLOW UP IF IT IS FIRED, OR MAY CAUSE DAMAGE TO THE GUN SUCH AS A BULGED BARREL. TO AVOID INJURY OR DEATH TO THE SHOOTER OR BYSTANDERS, CHECK THE BARREL BEFORE SHOOTING OR IF A SHOT DOES NOT SOUND NORMAL.

## LOADING INSTRUCTIONS

1. Always use original high quality commercially manufactured ammunition in good condition. We recommend that you use full metal jacketed (FMJ) 9mm (Luger). Hollow point ammo can sometimes cause feeding problems in auto pistols. If you find one brand that works well stick with it. Avoid the use of military surplus, reloaded, or hot loaded ammo. The use of reloaded ammunition will void the Warranty.
2. Before loading be sure the pistol is fully unloaded and that the safety lever is in the safety position.
3. Depress the magazine catch button and remove the magazine. (Fig. n. 1).
4. Load the magazine with the cartridges as specified above.
5. Insert the magazine in the receiver until the magazine catch secures it in the receiver with a click. Avoid slamming the magazine into the pistol. Handle the magazine carefully when loading. Any damage by dropping may bend the magazine lips which can cause mis-feeding.
6. To load the chamber first be sure your fingers are out of the trigger guard. Holding the pistol grip grasp the serrations on the slide with your other hand and pull the slide rearward until it cannot travel any further. Release the slide and allow it to go forward in to the closed position. The slide will automatically strip a cartridge from the magazine and insert it into the chamber.
7. **YOUR PISTOL IS NOW LOADED WITH THE HAMMER COCKED IN THE FULL COCK POSITION.** If you desire to fire put the safety up to expose the red dot and squeeze the trigger. The pistol will fire semi automatically with every squeeze of the trigger until the magazine is empty. When the clip is empty the slide will automatically stay open. You may remove the clip and reload it while the slide is held open. Insert the loaded magazine in the pistol, depress the slide stop lever, and the pistol will automatically reload the chamber to fire the next shots. **IF YOU DO NOT WISH TO FIRE THE PISTOL AFTER LOADING UNLOAD IT IMMEDIATELY. WE DO NOT RECOMMEND CARRYING, HANDLING, LOADING, OR CLEANING THIS PISTOL WITH A LOADED CARTRIDGE IN THE CHAMBER.**



## PARTS CODIFICATION

- |                               |   |
|-------------------------------|---|
| 1.1 BARREL                    | 6.7 MAGAZINE CATCH PLUNGER              |
| 2.2 RIGHT GRIP                | 6.8 MAGAZINE CATCH SPRING               |
| 2.3 LEFT GRIP                 | 6.13 MAGAZINE SECURITY SPRING PLATE     |
| 2.4 GRIP SCREWS               | 6.14 MAGAZINE SECURITY SPRING PLATE PIN |
| 3.1 TRIGGER                   | 8.1 RECOIL SPRING GUIDE                 |
| 3.2 TRIGGER PIN               | 8.3 RECOIL SPRING                       |
| 3.3 TRIGGER SPRING            | 9.1 SEAR                                |
| 3.5 TRIGGER BAR               | 9.2 SEAR PIN                            |
| 3.6 TRIGGER BAR PIN           | 9.3 SEAR SPRING                         |
| 3.7 TRIGGER BAR SPRING        | 10.2 REAR SIGHT                         |
| 3.8 TRIGGER BAR GUIDE         | 11.1 EXTRACTOR                          |
| 3.9 TRIGGER BAR PLUNGER       | 11.2 EXTRACTOR PIN                      |
| 3.10 TRIGGER BAR PLUNGER PIN  | 11.3 EXTRACTOR SPRING                   |
| 4.1 HAMMER                    | 13.1 SEAR ASSEMBLY HOUSING WITH EJECTOR |
| 4.2 HAMMER PIN                | 13.2 SEAR ASSEMBLY HOUSING PIN          |
| 4.3 HAMMER SPRING             | 14.1 FIRING PIN SAFETY                  |
| 4.4 HAMMER STRUT              | 14.2 FIRING PIN SAFETY PLUNGER          |
| 4.5 HAMMER STRUT PIN          | 14.3 FIRING PIN SAFETY SPRING           |
| 4.6 HAMMER SPRING CUP         | 14.4 SEAR SAFETY (AMBIDEXTROUS)         |
| 4.7 HAMMER SPRING CUP PIN     | 14.5 SEAR SAFETY SPRING                 |
| 4.8 INTERRUPTOR               | 18.1 SLIDE STOP PIN                     |
| 4.9 INTERRUPTOR PIN           | 18.3 SLIDE STOP PIN SPRING              |
| 4.10 HAMMER PIN PIN           | 18.4 SLIDE STOP PIN SPRING PIN          |
| 5.1 FIRING PIN                |   |
| 5.3 FIRING PIN SPRING         |   |
| 5.4 FIRING PIN RETAINER PLATE |   |
| 6.1 MAGAZINE                  |   |
| 6.6 MAGAZINE CATCH            |   |

This gun was manufactured to perform properly with the original parts as designed. It is your duty to make sure any parts you buy are installed correctly and that neither replacements nor originals are altered or changed. Your gun is a complex tool with many parts that must relate correctly to other parts. Putting a gun together wrong or with modified parts can result in a damaged gun, danger, and injury or death to you and others through malfunction. Always let a qualified gunsmith work on your gun or at least check any work not performed by a gunsmith.

ALL PARTS ORDERS ARE SUBJECT TO A \$ 5.00 CHARGE FOR SHIPPING AND HANDLING. Please state Model, Caliber, Serial Number, and Finish Color when ordering. Parts and service:

EAA  
4480 EAST 11th AVENUE  
HIALEAH, FL. 33013

## CLEANING AND MAINTENANCE

1. Materials needed to clean this pistol are a pistol cleaning rod, cotton bore patches, brass bore brush, powder solvent, toothbrush, and good quality gun oil.
2. Field strip the pistol as discussed in the instructions.
3. Using the bore brush with powder solvent scrub the barrel and chamber to remove any powder and lead residue in the bore. Follow the bore brush with a swabbing in the bore with cotton patches soaked in solvent. After swabbing with solvent coat a cotton patch with gun oil to coat and protect the bore from rust and corrosion.
4. Any powder fowling on the receiver or breech face of the slide can be easily cleaned with the toothbrush and powder solvent.
5. All external surfaces should be wiped down with a light coat of rust preventative. Avoid using too much oil as dust and debris can get trapped in the oil creating a gum that in time will cause misfires.
6. Avoid prolonged contact of the blue steel parts with the powder solvent. Be sure to wipe away all excess solvent. Under certain conditions powder solvent can dissolve bluing.

### STATEMENT OF LIMITED WARRANTY

We hereby warrant this firearm against defective workmanship and materials for the period of one year. During this one year period we will repair or replace (at our option) any part, series of parts, and or the entire pistol if it proves to be defective.

There will be no charge for parts and labor but the customer must assume transportation to and from our repair facilities in Hialeah.

This warranty is voided by work done by others, misuse, modification, or transfer of ownership by the original owner. This warranty is also voided by the use of reloaded, hot loaded, or non standard ammunition. No warranty is implied against normal wear and tear. Our warranty of saleability and fitness applies only for the effective period of the expressed limited warranty.

PRIOR TO EXPORT FROM ITALY EACH PISTOL IS INSPECTED AND PROOF TESTED BY THE ITALIAN NATIONAL PROOF BANK LOCATED AT:  
Banco di Prova, Via Mameli 57, Gardone V.T., Italy

To obtain warranty performance send your product with proof of retail purchase, freight prepaid, to:

EAA  
4480 EAST 11th AVENUE  
HIALEAH, FL. 33013

## WARNINGS

### READ THIS AND BE A SAFE SHOOTER

Never leave a gun where it could fall and fire.

Always wear protective shooting glasses when shooting on the range or in a field or forest.

Old or reloaded ammo may be dangerous. We recommend against using it.

Spectators should be 10 feet behind and away from the shooter while loading, firing and unloading.

Wear hearing protection when shooting, or at a shooting range, or near shooting activities.

Load the gun only when on the range preparing to fire, and unload it before leaving the range.

Never carry any handgun in your pocket, purse or tucked in a belt or waistband. Use a pistol case or a proper holster with safety flap or strap.

Don't try to change your gun's trigger pull, because alterations of trigger pull usually affect sear engagement and may cause accidental firing.

If you do drop your gun, unload it and check it for proper function before using it again.

Always wear fluorescent orange vest, hat or jacket when in the woods or fields.

Never let water, snow, mud or other material enter barrel.

### HOME SAFETY IS PROBABLY YOUR BIGGEST CONCERN.

Hoppe's Gun Guardian is a good inexpensive gun lock kit. It works on any firearm (rifle, pistol or shotgun) or airgun, yet is instantly removable by an adult.

Hoppe's Gun Guardian kits are available in gun shops and sporting goods departments, or from Hoppe's, Airport Industrial Mall, Coatesville, PA 19320. We have tested them and we recommend them. After all, you have invested this much in your new gun. Now invest a little more in your children's safety.

### USED FIREARMS

If you got your EAA firearm as a used gun, BEFORE USING IT you should unload it and check all its functions to be sure it works correctly. Firearms are sometimes altered to work incorrectly, or parts may be removed, lost or replaced with incorrect parts. First, unload it and check it yourself and then:

1. Take it to a good gunsmith who knows about this model of EAA firearm, and have him check it over, or.
2. Send it to EAA along with \$ 30.00 and your name and address, and our gunsmiths will inspect it and send it back to you with a report on its condition. This service is also available if you have an older EAA product, or if you think your EAA gun has been dropped, damaged or just needs to be checked.

EAA  
4480 EAST 11th AVENUE  
HIALEAH, FL. 33013

### YOUR OWNER'S MANUAL

This manual contains important warnings which must be understood BEFORE using this firearm. Always keep it with the firearm.

When you lend, give or sell the firearm, be sure the manual goes with it. You can get a copy of this manual from EAA on request.



Fig. n. 1

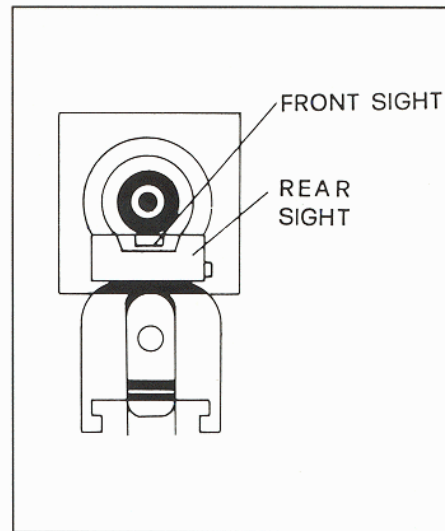


Fig. n. 2

#### LOADING

#### LOADING THE CLIP

#### FIRING

#### UNLOADING INSTRUCTIONS

1. Keep your fingers away from the trigger.
2. Press the magazine release button and remove the magazine. (Fig. n. 1).
3. The magazine may be unloaded by pressing the cartridges forward and out with your thumb.
4. Put the safety in the safe position. Retract the slide so that the extractor can pull out any cartridge that may be in the chamber. Visually check to be sure the chamber is completely unloaded.

#### LOWERING THE HAMMER

Hold the hammer firmly with your thumb and pull the trigger. Gently lower the hammer forward onto the firing pin area of the slide. **EXERCISE GREAT CARE WHEN LOWERING THE HAMMER.** If the hammer slips or goes forward too fast and hits the firing pin, **DISCHARGE CAN OCCUR.** If you wish to fire move the safety to the fire position and pull the trigger double action.

A loaded chamber means the pistol is ready to fire. We recommend that you never carry or keep the pistol with a cartridge in the chamber. If you do, you have an extra responsibility that the gun is not dropped, mishandled, pointed carelessly or abused in any way.

## FIRING INSTRUCTIONS

1. Put the safety in the safe position.
2. Load the magazine and chamber as discussed in loading.
3. Move the safety to the fire position exposing the red dot.
4. Grasp the pistol by the stocks and take aim. Carefully align the front sight and rear sight so that the top surfaces mate at the lower or 6 o'clock position of the black portion of the target. Gently squeeze the trigger for best accuracy. (Fig. n. 2).
5. Check to be sure you have a safe target and backstop. Never shoot at hard flat surfaces, rocks, water or anything that might make the bullet ricochet. Think about what you will hit if you miss the target.
6. The best accuracy is obtained by squeezing the trigger slowly. Avoid jerking the trigger. Single Action trigger firing (Cocking the hammer first) is the most accurate. Double action firing is not as accurate but more effective in a combat situation. Take advantage of the contoured trigger guard of the pistol by aiming and firing with two hands. A two handed hold yields the best accuracy and control.

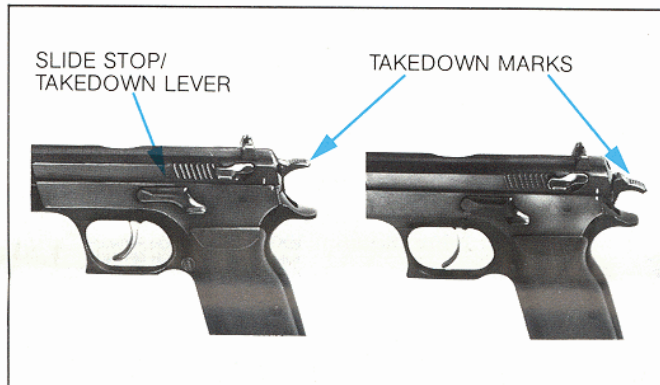


Fig. n. 3

## FIELD STRIPPING INSTRUCTIONS

1. Unload the magazine and visually check to be sure the chamber is unloaded. See unloading instructions.
2. Pull the hammer back to the full cock position.
3. Locate the two takedown marks behind the safety lever on the left sides of the slide and frame. Retract the slide slightly so that the two lines joint to form a single line.
4. With the slide aligned on the line the slide stop/take down lever can be removed from the pistol. To do this push the lever out from one side while pulling the lever out of the frame with the other hand.
5. With the slide stop removed the slide and barrel assembly may be pulled forward and off the receiver. While pulling the slide forward, pull the trigger.
6. With the slide upside down retract the recoil spring so that the recoil spring guide can be disengaged from its retaining slot in the barrel lug. The barrel may now be removed from the slide for cleaning.
7. We do not recommend any further disassembly of this pistol unless done by a qualified gunsmith.

**REMEMBER THAT WORK DONE BY OTHERS AND UNAUTHORIZED GUNSMITHING BY NON FACTORY PERSONNEL WILL VOID THE WARRANTY.**