

Kimber

**Read the Instructions and Warnings
in the Manual Carefully
Before Using this Firearm**

NOTICE:

Kimber of Oregon, Inc. is not, and will not be, responsible for any part of this rifle after it leaves our control, or for the addition or substitution of parts or accessories not manufactured by Kimber. This rifle was designed to operate correctly in the condition it was shipped. Kimber will not be responsible for any modification made to its products.

**BE SURE TO NOTE
WARNINGS PRINTED IN RED**

CONTENTS

CHAPTER	PAGE
1. INTRODUCTION	
1.1 INITIAL INSPECTION	5
1.2 DESCRIPTION OF RIFLE	5
1.3 AMMUNITION	6
1.4 AMMUNITION & BORE OBSTRUCTION WARNINGS	6
1.5 GENERAL DATA	6
2. DISASSEMBLY AND ASSEMBLY	
2.1 DISASSEMBLY OF RIFLE	7
2.2 ASSEMBLY OF RIFLE	9
3. OPERATION AND FUNCTIONING	
3.1 WARNINGS - LOADING & PERSONAL PROTECTION ...	10
3.2 LOADING	10
3.3 FIRING	10
3.4 UNLOADING	10
4. TRIGGER ASSEMBLY ADJUSTMENT	
4.1 CAUTION	11
4.2 TRIGGER OVERTRAVEL	11
4.3 TRIGGER AND SEAR ENGAGEMENT	12
4.4 SAFETY FUNCTION	12
4.5 TRIGGER PULL	13
4.6 INSTALLATION OF STOCK	13
5. MALFUNCTIONS	
5.1 AMMUNITION CHAMBERING AND EXCESSIVE FORCE WARNING	14
5.2 CLEARING A MALFUNCTION WARNING	14
5.3 PROPER AMMUNITION	14
5.4 INSPECTION OF FIRED CASES	14
6. SIGHT ADJUSTMENT	
6.1 REAR SIGHT	15
6.2 FRONT SIGHT	15
7. CARE AND CLEANING	
7.1 CLEANING EQUIPMENT	16
7.2 CLEANING PROCEDURE	16
7.3 PERIODIC MAINTENANCE	16
7.4 WARNING	17
KIMBER MODEL 82 U.S. GOVERNMENT EXPLODED VIEW	18
KIMBER MODEL 82 U.S. GOVERNMENT PARTS IDENTIFICATION ..	19

CONTENTS ADDENDUM

WARNINGS

CHAPTER	PARAGRAPH	WARNING	PAGE
1	1.2	USE OF SAFETY	5
	1.4	CHAMBER OR BARREL OBSTRUCTIONS AND AMMUNITION	6
		USE OF PERSONAL PROTECTIVE EQUIPMENT	6
2	2.1	DISASSEMBLY OR OTHER WORK - PROCEDURE AND HANDLING	7
3	3.1	FIRING: SAFE HANDLING & PERSONAL PROTECTION	10
	3.2	LOADING	10
4	4.3	SEAR AND TRIGGER ENGAGEMENT ...	12
5	5.1	CHAMBERING A CARTRIDGE	14
		USE OF FORCE	14
	5.2	MALFUNCTIONS - CLEARING CHAMBER	14
7	7.4	EXCESSIVE LUBRICATION	17

CHAPTER 1

INTRODUCTION

1.1 INITIAL INSPECTION

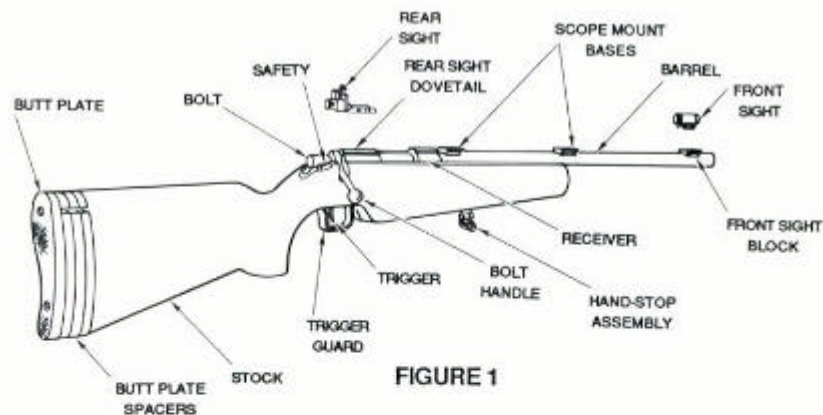
Before using this rifle, it should be inspected and cleaned thoroughly as shown in this manual to insure it is complete, reliable, and functions properly. The system, as received, should consist of:

- One Model 82 Government rifle with Hand Stop Assembly and Three Butt Plate Spacers;
- One Rear Sight with screw-in aperture
- One Rear Sight Adaptor
- One Front Sight
- Ten Front Sight Inserts
- One 2.5mm Hex Key for Front Sight
- One 5/32 Hex Key for Butt Plate
- One Technical Manual

It is recommended that this manual be read and completely understood **before** firing.

1.2 DESCRIPTION OF RIFLE

The Kimber Model 82 Government is a bolt action single shot caliber .22 (Long Rifle) target rifle. (See Figure 1)



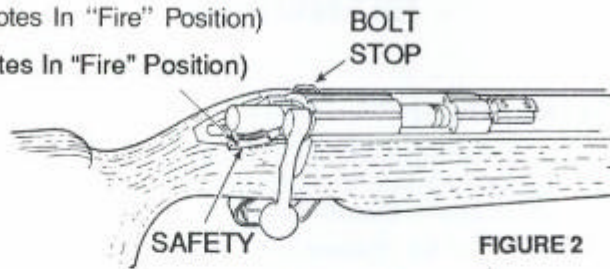
The **bolt** (S-412) must be manually operated to load and chamber a cartridge. The bolt must be manually opened and retracted to remove a loaded or fired cartridge from the rifle.

WARNING: IT IS STRONGLY RECOMMENDED THAT THE SAFETY (A-305) ALWAYS BE ENGAGED WHEN LOADING OR UNLOADING A LIVE CARTRIDGE. CAUTION, THE RIFLE SHOULD HAVE THE SAFETY DISENGAGED ONLY WHEN ENGAGING A TARGET.

When the safety (A-305) is rotated forward and the **red** dot is visible, the rifle will fire when the trigger is pulled. The safety is engaged when rotated to the rear (toward butt). In this position, the trigger cannot be pulled. The bolt may be operated when the safety is engaged or disengaged. It is recommended

that the safety always be engaged when loading or unloading a live cartridge. (See Figure 2)

(Red Dot Denotes In "Fire" Position)
 (Red Dot Denotes In "Fire" Position)



The **trigger** assembly (A215GA) is shipped with the trigger adjusted to be between 3.5 and 4.5 pounds. The trigger pull on the Kimber Model 82 Government is fully adjustable (by a qualified armorer) to range from 2 pounds to 4.5 pounds. The trigger assembly is equipped with an over-travel adjustment and a sear engagement adjustment. These adjustments are to be made **only** by a qualified armorer. Improper adjustment of the sear engagement screw can cause the rifle to be **UNSAFE**.

1.3 AMMUNITION

Ammunition used in the Kimber Model 82 Government should be manufactured to SAAMI (Sporting Arms and Ammunition Manufacturing Institute, Inc.) specifications or meet U.S. Military specifications. **Do not** use .22 short, .22 long, .22 shot cartridges, or .22 hyper velocity cartridges in the rifle. Use only .22 long rifle standard velocity or .22 long rifle high velocity ammunition.

1.4 **WARNING:** IT MUST BE UNDERSTOOD THAT DEATH OR SERIOUS INJURY CAN RESULT IF ANY OF THE FOLLOWING OCCUR:

1. CHAMBER OBSTRUCTIONS
2. BORE OBSTRUCTIONS
3. PROPELLANT OVERLOADS
4. DEFECTIVE AMMUNITION

WARNING: IT IS RECOMMENDED THAT SHOOTING GLASSES AND HEARING PROTECTION ALWAYS BE WORN WHEN FIRING THE KIMBER MODEL 82 GOVERNMENT.

Bore: Shooters must examine the bore of the Kimber Model 82 Government to be certain it is clear of obstructions prior to firing the rifle! Firing the rifle with any obstruction in the bore, i.e., water, oil, cleaning material, etc., may result in damage to the rifle and injury to the shooter and other persons standing nearby. If there is an obstruction or dirty bore, clean the bore with a cleaning rod and bore brush prior to firing the rifle.

1.5 GENERAL DATA

Weight	10-10.75 pounds
Length overall	43 inches
Length barrel	25 inches
Sight Radius (open Sights)	28 inches
Sight Adjustment	1/5" per click at 100 yards
Rifling	6 groove 1 turn in 16" right hand twist
Trigger pull	3.5/4.5 pounds
Caliber	22LR only

CHAPTER 2

DISASSEMBLY AND ASSEMBLY

2.1 DISASSEMBLY OF RIFLE

WARNING: NEVER CLEAN, LUBRICATE, DISASSEMBLE, ASSEMBLE, OR WORK ON ANY FIREARM WHILE IT IS LOADED! KEEP ALL AMMUNITION AWAY FROM THE CLEANING AREA.

WARNING: ALWAYS POINT RIFLE IN A SAFE DIRECTION.

Removal of Bolt: Pull bolt (S-412) to rear while depressing bolt stop (S-415). Bolt will slide out of receiver (A100/600). (See Figure 3) No further disassembly is required for routine cleaning or maintenance.

INTERCHANGEABILITY CAUTION: BOLTS ARE NOT INTERCHANGEABLE. THEY MUST BE KEPT WITH THE RIFLE FOR WHICH THEY WERE ORIGINALLY FITTED. OTHERWISE HEADSPACING MAY NOT BE WITHIN TOLERANCES REQUIRED FOR SAFETY AND MAXIMUM ACCURACY.



FIGURE 3

Removal of Hand Stop: Rotate knurled knob on Hand Stop Assembly (A-513) counter clockwise to loosen handstop and slide off hand stop rail (A-5004). (See Figure 4)



FIGURE 4

Removal of Sling Swivel: Press button in center of Hand Stop Assembly (A-513) releasing spring pressure on detent balls and pull downward. (See Figure 4)

Removal of Front Sight: Loosen front sight (A-5003) screw with furnished 2.5mm hex key (A-5006) and slide off front sight base (A-4075). (See Figure 5) Note that the screw head is on the left side of the rifle.

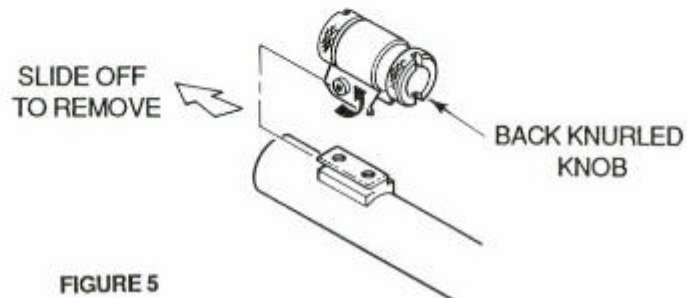
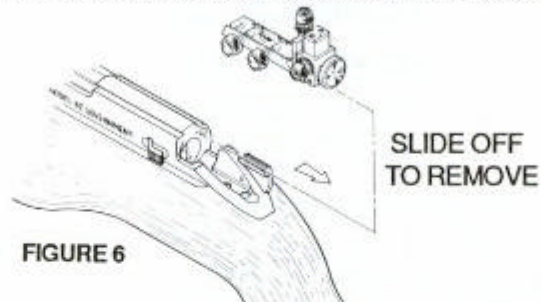
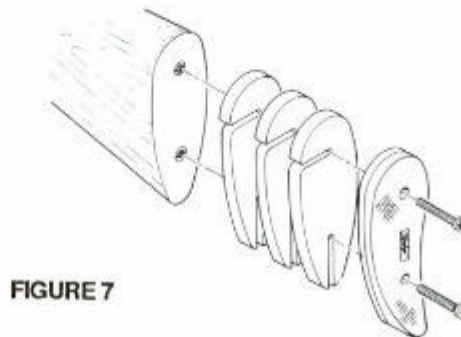


FIGURE 5

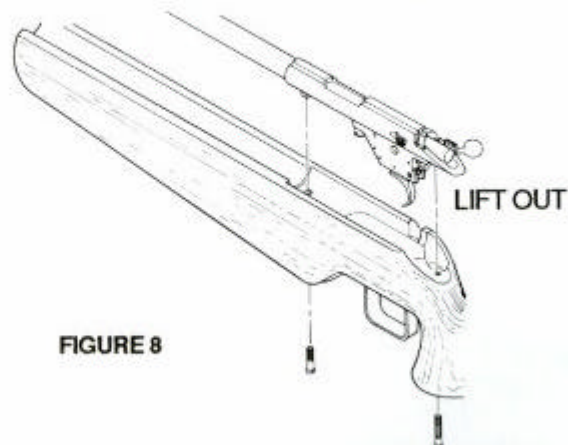
Removal of Rear Sight: Loosen hand nuts on left side of rear sight (A-5016) to release tension on base and slide off receiver (A-100/600). (See Figure 6)



Removal or adjustment of butt plate spacers: Loosen two screws (A-519) in rubber butt plate (A-511) with furnished 5/32 hex key (A-516) and remove one, two or three butt plate spacers (A-512) as required to obtain length of pull necessary for shooter. Retighten screws. (See Figure 7)



Removal of Stock: Removal of the stock is not required for routine cleaning or maintenance and is not recommended except for good cause. If removal of the stock is necessary, remove rear take-down screw (A-801) from rear of trigger guard (A-150). Remove the forward front take-down screw (A-800) from forend of stock. NOTE: The forward front take-down screw is recessed through handstop rail (A-5004). Lift barrel and receiver from stock (A-526). (See Figure 8)



No further disassembly of the Kimber Model 82 Government rifle is recommended except by an authorized armorer.

2.2 ASSEMBLY OF RIFLE

Replacement of Bolt: Pull trigger (A-215GA) and slide bolt into receiver (A100/600) closing bolt completely, and lower bolt handle (S-412). **Note:** Bolt can only be placed in receiver in cocked position (See Figure 3).

Replacement of Hand Stop Assembly: Slide Hand Stop onto Hand Stop Rail (A-5004) and rotate knurled knob clockwise to tighten Hand stop (A-513).

Replacement of Sling Swivel: Press button on bottom of Hand Stop Assembly (A-513) releasing pressure on detent balls and push swivel into recess on hand stop.

Replacement of Front Sight: Slide front sight (A-5003) onto front sight base (A-4075) and tighten with furnished Hex head key. Screw head should be on left side of rifle.

Replacement of Rear Sight: Slide Rear sight (A-5016) onto dovetails cut in receiver (A-100/600) and tighten hand nuts on the left side of sight.

Replacement of Butt Plate Spacers: Loosen two screws (A-519) in rubber butt plate (A-511) and insert spacers as required to obtain length of pull and retighten screws.

Replacement of Stock: Replace receiver and barrel assembly (A-100/600) into stock (A-526) and replace front take-down screw (A-800) into receiver. **NOTE:** front take-down screw is recessed under handstop rail (A-5004). Replace rear take-down screw (A-801) and tighten both take-down screws evenly.

NOTE: See Figures 3, 4, 5, 6, 7, 8 and reverse procedures for assembly.

CHAPTER 3 OPERATION AND FUNCTIONING

3.1 **FIRING WARNING:** ALWAYS WEAR SAFETY OR SHOOTING GLASSES AND EAR PROTECTORS WHEN FIRING ANY FIREARM.

WARNING: NEVER LOAD YOUR RIFLE UNTIL YOU ARE READY TO SHOOT. ALWAYS USE PROPER CARE AND COMMON SENSE IN HANDLING ANY FIREARMS. THE SAFETY SHOULD ALWAYS BE IN THE "ON" POSITION (TO THE REAR), UNTIL ACTUALLY READY TO FIRE THE RIFLE. IT MUST BE UNDERSTOOD THE RIFLE IS TRULY SAFE ONLY WHEN THE BOLT IS TO THE REAR AND THE CHAMBER IS EMPTY.

3.2 **Loading:** **WARNING:** MAKE SURE RIFLE IS POINTED DOWN-RANGE OR IN A SAFE DIRECTION.

Move safety to safe position (to the rear) and open bolt by lifting bolt handle and pulling to the rear.

Place a .22 Long Rifle cartridge on the loading platform (A-318) (See Figure 9) and close bolt. The rifle is now ready to fire. DO NOT rotate safety forward until engaging your target.

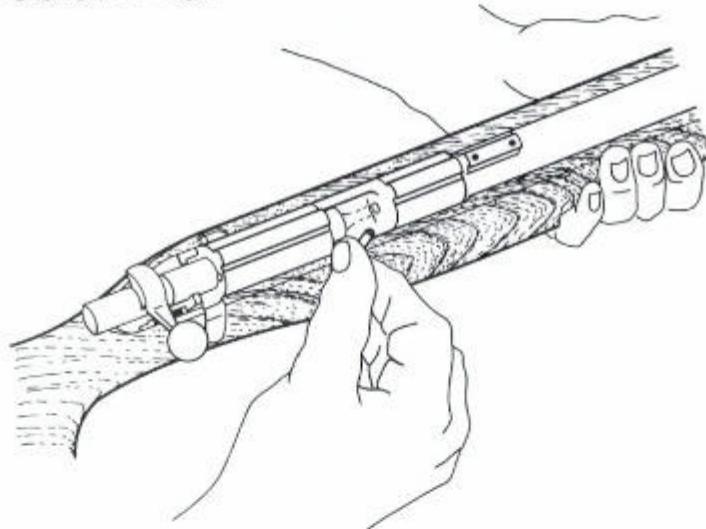


FIGURE 9

3.3 **Firing:** Be sure rifle is pointed down-range and safety is in "on" position (to the rear). Pull the bolt to the rear with your finger off the trigger. Place a cartridge on the loading platform and push the bolt forward smoothly and close. When ready to engage target, rotate safety to the forward position and squeeze trigger.

3.4 **Unloading:** To unload rifle, make sure rifle is pointed down-range or in a safe direction. Rotate safety to safe position (to rear) and open bolt and pull to rear. Cartridge will be pulled from chamber and ejected. Do not remove cartridges from rifle's chamber manually (See Chapter 5).

CHAPTER 4

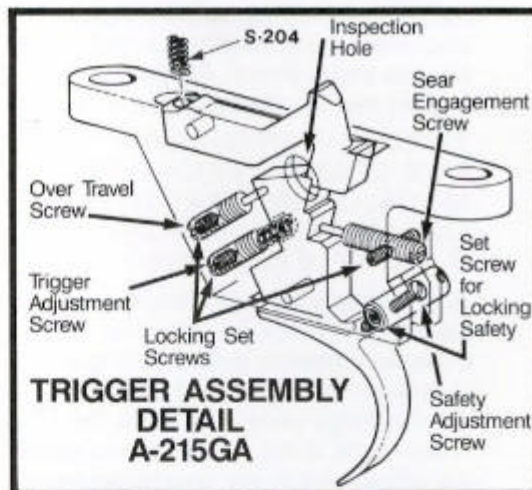
TRIGGER ASSEMBLY ADJUSTMENT

4.1 CAUTION: The Kimber Model 82 Government incorporates a fully adjustable trigger which allows adjustment of the weight of trigger pull, the amount of overtravel and depth of sear engagement.

We recommend that this entire set of instructions be read carefully prior to making any trigger adjustments so that the relationship between all of the components within the trigger assembly is fully understood. This is important because it is possible to make incorrect adjustments of the sear engagement which will create an unsafe situation and could cause accidental discharge. We recommend that adjustments of the sear engagement screw be made only by an experienced gunsmith or armorer. Prior to adjusting the trigger, the barreled action must be removed from the stock as described in Chapter 2.

4.2 TRIGGER OVERTRAVEL

The first step in adjusting the trigger involves the overtravel. The overtravel adjustment determines the amount of travel of the trigger after the sear has fallen allowing the gun to fire. The overtravel is preset at the factory and **SHOULD NOT** require further adjustment. If further adjustment is needed, the adjustment screw is located on the front of the trigger housing. It is the screw closest to the barrel. (See figure 10)



Prior to turning the adjustment screw, there are two locking set screws (one on either side of the trigger assembly) which must be loosened, allowing the adjustment screw to turn freely. When adjusting the overtravel, first close the bolt and pull the trigger. With the gun in the fired position, observe the trigger and sear through the inspection hole located in the side of the trigger housing. While pulling on the trigger in the fired position, observe the gap between the trigger and sear; this gap determines the overtravel of the trigger. If it appears excessive, simply continue observing the gap while pulling the trigger and turning the adjustment screw clockwise until the desired gap is obtained.

To test the feel of the overtravel, simply pull the trigger then release and pull again while in the fired position. The amount of trigger travel that you feel is the amount of overtravel.

One precaution to be observed is that the overtravel can be reduced **too much**. This creates a situation where the trigger will not move forward enough to allow the sear to spring upward which prevents the gun from being cocked. The gap between the trigger and sear as described earlier must therefore be visible to the naked eye. When the proper gap is accomplished, the two locking set screws loosened earlier can be tightened on the adjusting screw, locking the adjustment screw in place. Be careful not to overtighten the set screws.

4.3 TRIGGER AND SEAR ENGAGEMENT

The next step in adjusting the trigger on the Kimber Model 82 Government is probably the most critical of all adjustments; the adjustment of the trigger and sear engagement.

The trigger and sear engagement is the surface areas of the trigger and the sear that come in contact with one another when the rifle is in the cocked position. The surface area will determine the amount of trigger travel required to fire the rifle and will increase or reduce creep and crispness of the trigger pull. The sear engagement should be approximately .030 of an inch, (as viewed through the inspection hole on the trigger housing); but this measurement is not always the most accurate determination for the adjustment of the trigger engagement surfaces, because the matching surfaces have been hand stoned and may vary.

The best way to determine the proper engagement adjustment is to first loosen the two set screws holding the sear engagement screw (located at the rear of the trigger assembly housing). With the rifle cocked, turn the screw clockwise until the sear drops past the trigger. Then turn the adjustment screw counterclockwise approximately one-half turn. This will result in approximately .030 of an inch engagement. At this point, snug the set screws, as described earlier, to hold the adjustment screw in place.

WARNING: INADEQUATE DEPTH OF ENGAGEMENT CAN CREATE AN UNSAFE SITUATION WHICH COULD CAUSE ACCIDENTAL DISCHARGE. IT IS VITALLY IMPORTANT TO ENSURE THAT THE SEAR AND TRIGGER ENGAGEMENT IS SUFFICIENT TO PREVENT ACCIDENTAL DISCHARGE IF THE RIFLE IS DROPPED.

To avert this potentially dangerous situation, perform the following check. Hold the barreled action by the barrel with the rifle cocked and the safety off. With a rearward motion, strike the tang of the rifle on something firm, but soft, such as a block of wood or rubber pad. Repeat several times to ensure the rifle will not discharge under impact. If the rifle does not discharge the engagement is adequate. If the rifle does discharge, increase the engagement by turning the adjustment screw counterclockwise until the rifle will not discharge when impacted on the tang as described earlier. The standard factory setting is .030 inch. **WE STRONGLY RECOMMEND THAT THIS ADJUSTMENT BE MADE ONLY BY AN EXPERIENCED GUNSMITH OR ARMORER.**

4.4 SAFETY FUNCTION

CAUTION: THE SAFETY SHOULD BE CHECKED FOR FUNCTION AFTER ANY ADJUSTMENT TO THE TRIGGER AND SEAR ENGAGEMENT. To check the safety, cock the rifle and function the safety disc off and on several times; it should feel positive as it clicks off and on. Also while the rifle is cocked and the safety is on, pull the trigger; there should be **absolutely no travel to the trigger**. If there is travel to the trigger the safety adjustment screw must be turned clockwise to eliminate all movement.

This is accomplished by loosening the single set screw located on the right side of the safety shaft. Adjust the screw to eliminate any trigger travel and test as described above. Also, if the disc function as described above was not positive, it may mean that the adjustment screw needs to be loosened but not so much that it will result in play in the trigger when pulled while the safety is engaged.

After the adjustment is performed tighten the set screw to ensure the adjustment screw does not move, preventing a potentially unsafe situation.

4.5 TRIGGER PULL

The trigger pressure (weight) is adjusted at the factory to approximately four pounds. If you wish to change the trigger pull weight, simply loosen the set screws on either side of the trigger assembly located on the forward end nearest the bottom. Then turn the adjusting screw clockwise to increase, or counterclockwise to decrease the trigger pull pressure. The ratio is approximately one half turn per one pound. The trigger is adjustable down to about two pounds.

Just a reminder; all factory adjustments are made with safety and function in mind.

4.6 INSTALLATION OF STOCK

Reassemble the barreled action to the stock as described in Chapter 2. The rifle is now ready to shoot.

CHAPTER 5

MALFUNCTIONS

- 5.1** The Kimber Model 82 Government has an integral loading platform to assist in chambering the .22 Long Rifle cartridge. However, the priming compound in .22 Long Rifle ammunition is extremely sensitive and care should be taken in chambering a cartridge to insure smooth and safe chambering of the cartridge. **DO NOT ATTEMPT TO FORCE A ROUND INTO THE CHAMBER BY STRIKING THE BOLT OR BY USING ANY UNDUE FORCE.**

WARNING: USING EXCESSIVE FORCE TO CHAMBER A CARTRIDGE CAN CAUSE DISCHARGE OF THE CARTRIDGE BEFORE THE BOLT IS FULLY LOCKED. SUCH DISCHARGE CAN CAUSE DAMAGE TO THE RIFLE AND INJURY TO THE SHOOTER OR TO BYSTANDERS.

Most failure to properly chamber a cartridge is caused by improper handling or defective ammunition.

- 5.2** **WARNING: IF A MALFUNCTION SHOULD OCCUR, KEEP THE MUZZLE POINTED DOWN-RANGE OR IN A SAFE DIRECTION AND PULL BOLT TO REAR. IF FOR ANY REASON THE CARTRIDGE IS NOT REMOVED FROM THE CHAMBER, DO NOT PRY CARTRIDGE WITH ANY TYPE OF TOOL. KEEPING YOUR HEAD AND FACE CLEAR OF THE MUZZLE OF THE RIFLE, REMOVE CARTRIDGE USING A CLEANING ROD INSERTED IN THE MUZZLE. IF THE CARTRIDGE DOES NOT COME OUT OF THE CHAMBER WITH MINIMAL PRESSURE APPLIED TO CLEANING ROD, STOP. RIFLE MUST BE TAKEN TO QUALIFIED ARMORER. IN THIS CIRCUMSTANCE, DO NOT PUT THE BOLT BACK IN THE RECEIVER UNTIL THE LIVE ROUND HAS BEEN REMOVED FROM THE CHAMBER.**

- 5.3** The use of only .22 Long Rifle ammunition manufactured to SAAMI or Government Specifications will insure trouble-free operation of your rifle.

- 5.4** It is good practice to occasionally inspect fired cartridge cases looking for bulged heads, splits, or any other abnormality. If this occurs, have the rifle inspected by a qualified armorer.

CHAPTER 6

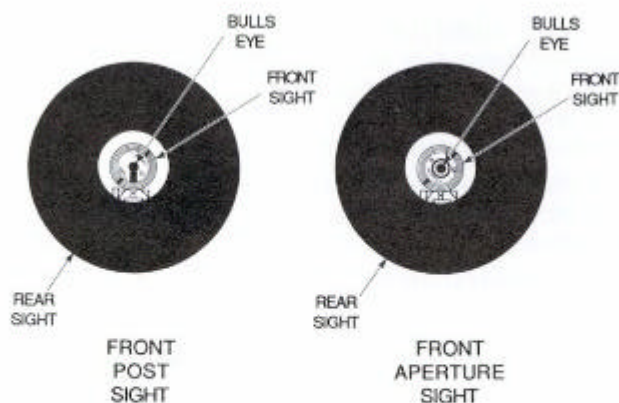
SIGHT ADJUSTMENT

6.1 Rear Sight: The Kimber Model 82 Government rifle is equipped with an adjustable rear sight. This sight is adjustable for both windage and elevation. In addition, each sight is equipped with an adaptor allowing the use of other types of apertures. The furnished aperture has the same thread as Anschutz and can be exchanged with similar apertures. Each click (either windage) or elevation) of the sight will move the point of impact approximately 1/5" at 100 yards. All rifles are shipped with sight adjusted at 0-0 position for approximate range of 50 yards. All rifles are supplied with an adaptor to allow use of other types of apertures. To use Lyman aperture, screw adaptor into sight and screw Lyman aperture into adaptor.

The dials on the sights are clearly marked with direction of movement to insure proper placement on target.

Caution: Except for the aperture and its adaptor, the rear sight of the Kimber Model 82 Government rifle should never be taken apart. Replacement of sight should be as a unit.

6.2 Front Sight: The Kimber Model 82 Government rifle is equipped with a target front sight with ten interchangeable inserts. Seven of these are aperture type and three are post types. To install interchangeable insert, loosen back knurled knob on sight (See Figure 5) until slot in sight is clear. Place interchangeable insert in sight and tighten knob. (See Figure 11)



CHAPTER 7

CARE AND CLEANING

7.1 Cleaning Equipment: The normal cleaning devices for the Kimber Model 82 Government are: cleaning rod, bristle bore brush (brass preferred), and a slotted tip or jag with cleaning patches of the correct size. Either commercial or government issued small arms powder solvents and lubricating oil may be used.

7.2 Cleaning Procedure: Remove bolt from receiver (See Disassembly Instructions). Check to see that bore and chamber are clear.

Place bristle bore brush on cleaning rod and put solvent on brush. Clean bore from receiver end running brush through bore several times. Replenish solvent as necessary. Make certain that the chamber as well as bore are thoroughly clean. Run a dry patch through the bore. It must be bright with no trace of grease, lead, or any foreign material. If necessary, re-do bore with bristle bore brush and solvent until clean. When bore is clean, run a patch through bore with a light coat of lubricating oil.

Using a clean patch, saturate with solvent and wipe down all metal surfaces of the rifle. (Do not put solvent or lubricating oil on stock). If this does not clean rifle adequately, put solvent on bore brush and clean area still dirty. After rifle is clean, wipe with dry patch and inspect for cleanliness. When all metal parts are clean, wipe surfaces with patch lightly saturated with lubricating oil. A drop of oil should be placed on the cocking stud (S-409) area of the bolt and allowed to flow into the bolt to lubricate the firing pin spring. Note: It is not recommended that lubricating oil be put on the trigger sear engagement notch. This area should be thoroughly cleaned but kept dry of lubricants.

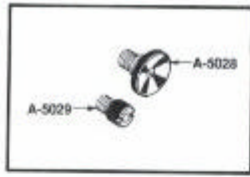
Caution: A common error is the excessive use of lubricating oils. Never apply excessive quantities of lubricants.

7.3 Periodic Maintenance: Normal usage of the Government Model and routine cleaning as indicated herein will keep this rifle in top condition. However, exposure to water (particularly salt spray), dust, sand, high humidity, or other adverse conditions require more frequent cleaning and maintenance to insure reliable functioning of your rifle.

Note: If rifle is to be stored for long periods of time, clean as indicated but do not use the normal lubricating oil. P-9 preservative oil should be used on all metal parts before storage. Do not put any kind of lubricating oil on the stock.

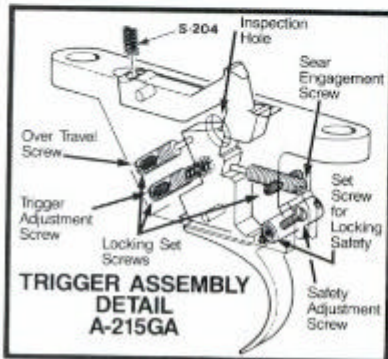
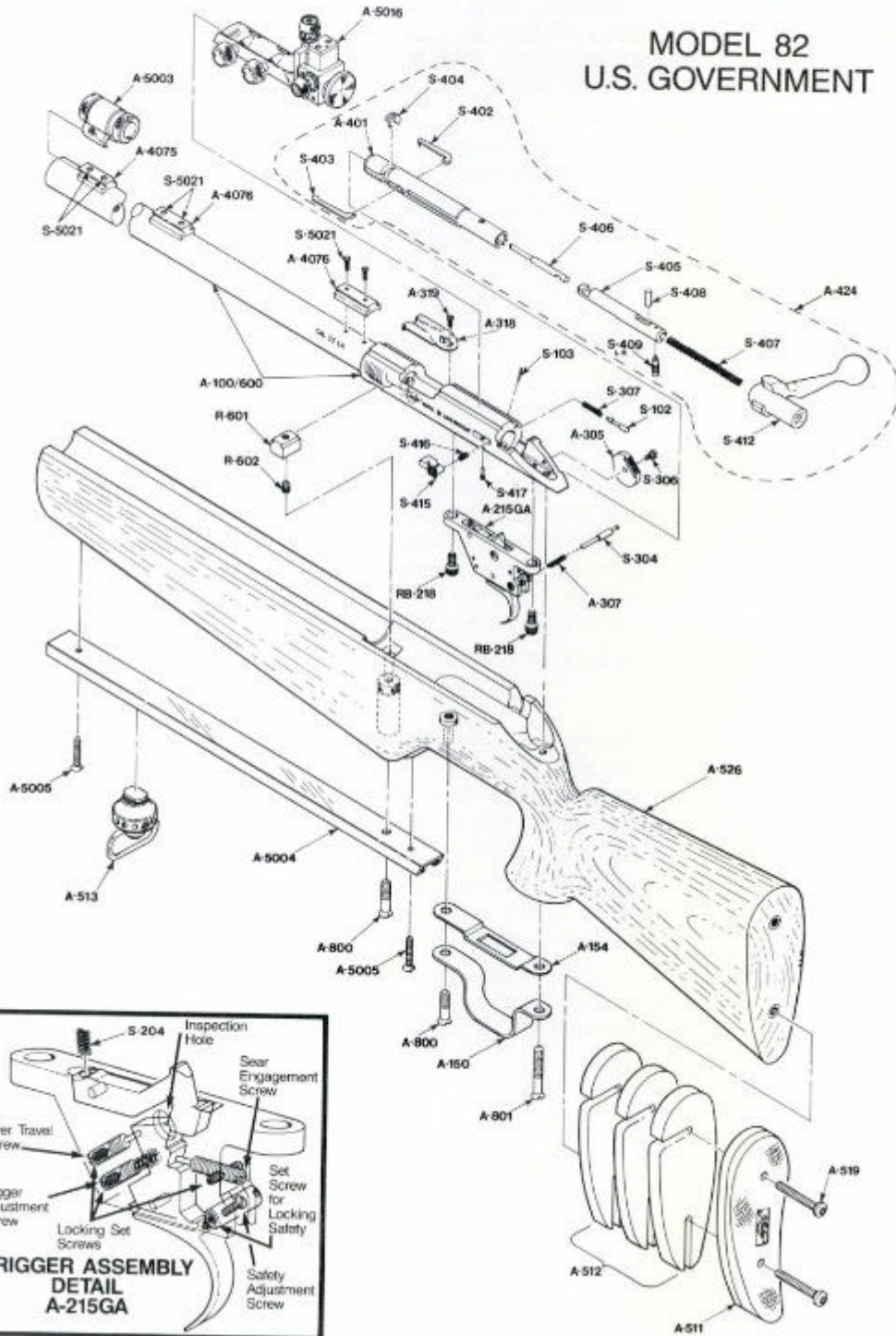
Firearms should be stored unloaded, with tension off the firing pin spring. Tension on firing pin spring can be released by pulling trigger as bolt is closed. Caution: The Kimber Model 82 Government rifle is not designed to be dry fired!

7.4 WARNING: NEVER FIRE ANY FIREARM WITH EXCESSIVE OIL, GREASE, OR ANY OTHER OBJECT IN THE BORE. THIS WILL CAUSE DAMAGE TO THE RIFLE IN THE WORST CASE AND A LOSS OF ACCURACY IN THE BEST CASE. NEVER PUT LUBRICANTS OF ANY TYPE ON AMMUNITION AS THIS CAN CAUSE DETERIORATION OF BOTH PROPELLANT AND PRIMING COMPOUND. LUBRICATION OF AMMUNITION CAN CAUSE MISFIRES, HANGFIRES, AND EVEN WORSE, A SITUATION WHERE A BULLET MAY BE LODGED IN THE BARREL. WHEN A SUBSEQUENT ROUND IS FIRED, EXTREME DAMAGE TO THE BORE WILL RESULT AND WILL NORMALLY REQUIRE REPLACEMENT OF THE BARREL. USE LUBRICANTS WISELY.



Kimber

MODEL 82
U.S. GOVERNMENT



PARTS IDENTIFICATION

SIGHT PARTS

*Army Stocked	Part Number	Part Name
	*A-5003	Front Sight Assembly (includes A-5027)
	*A-5016	Rear Sight Assembly (includes A-5028 & A-5029)
	*A-5027	Front Sight Insert Set (not pictured)
	*A-5028	Rear Sight Aperture
	*A-5029	Rear Sight Adaptor

RIFLE PARTS

*Army Stocked	Part Number	Part Name
	† A-100/600	Receiver/Barrel Assembly
	*A-150	Trigger Guard
	*A-154	Trigger Guard Plate
	*A-215GA	Trigger Group Assembly (includes S-204)
	*A-305	Safety Disc
	*A-307	Safety Pin Spring
	*A-318	Loading Platform/Ejector
	*A-319	Loading Platform Screw
	† A-401	Bolt Head
	† A-424	Bolt Assembly
	*A-511	Butt Plate
	*A-512	Butt Plate Spacers (3)
	*A-513	Hand Stop Assembly
	*A-516	5/32 Hex Key, Butt Plate (not pictured)
	*A-519	Butt Plate Screws (2)
	*A-526	Stock Assembly
	*A-800	Front Takedown Screws (2)
	*A-801	Rear Takedown Screw
	*A-4075	Front Sight Base
	*A-4076	Scope Mount Bases (2)
	*A-5004	Hand Stop Rail
	*A-5005	Hand Stop Rail Screws (2)
	*A-5006	2.5mm Hex Key, Front Sight
	*R-601	Recoil Lug
	*R-602	Recoil Lug Set Screw
	*RB-218	Trigger Housing Screws (2)
	*S-102	Bolt Locking Plunger
	*S-103	Bolt Locking Plunger Pin
	*S-204	Sear Spring
	*S-304	Safety Pin
	*S-306	Safety Disc Screw
	*S-307	Bolt Locking Plunger Spring
	*S-402	Extractor
	*S-403	Helper
	*S-404	Extractor Spring
	*S-405	Striker
	*S-406	Firing Pin
	*S-407	Mainspring
	*S-408	Mainspring Pin
	*S-409	Cocking Stud (Left Hand Thread)
	† S-412	Bolt Handle
	*S-415	Bolt Stop
	*S-416	Bolt Stop Spring
	*S-417	Bolt Stop Screw
	*S-5022	Scope Mount Base Screws (6)

†Not interchangeable without fitting.