

OWNER'S MANUAL FOR OA SERIES FIREARMS



OLYMPIC ARMS, INC.

**620-626 Old Pacific Hwy SE
Olympia, WA 98513
(360) 459-7940**

WARNING

To avoid accidental firing, **BE SURE WEAPON IS CLEAR.** Failure to do so could result in serious injury or death.

Be sure the cam pin is installed in the bolt group. If it isn't, your OA-93/OA-96 can still fire and will explode, causing injury or death.

DO NOT exchange or switch bolt assemblies from one OA-93/OA-96 to another. It could cause damage to both you and your weapon. **DO NOT** attempt to install a standard AR-15 or M-16 bolt or bolt carrier in your OA-93/OA-96. Any attempt to do so will cause damage to both you and it.

DON'T OVERHEAT YOUR OA-93/OA-96's BARREL. Sustained firing of the OA-93/OA-96 will rapidly raise the temperature of the barrel to a critical point. Firing 140 rounds, rapidly and continuously will raise the temperature of the barrel to the COOKOFF POINT. At this temperature, any live round remaining in the chamber for any reason may cookoff (detonate) in as short a period as 10 seconds.

If the cookoff point is felt to be possible, **CLEAR YOUR WEAPON AND ALLOW IT TO COOL.**

Sustained rate of fire for the OA-93/OA-96 is 12-15 rounds per minute. This is the actual rate of fire that this weapon can continue to deliver for an indefinite length of time without seriously overheating.

Sustained rate of fire should never be exceeded except under circumstances of extreme urgency.

If your bolt fails to unlock and you try to free it by banging the receiver assembly, keep clear of the muzzle.

If there's water in the barrel, don't fire the weapon. It could explode.

If you experience a noticeable difference in sound or recoil, STOP FIRING. Either condition could indicate an incomplete propellant burn and a bullet still in the bore. Retract bolt slowly and remove fired cartridge case. Clear weapon and check for unburned powder grains in the receiver or bore, and for a bullet in the bore. Remove unburned propellant or bullet from bore before resuming firing or barrel could explode. If bullet is lodged in bore, take your carbine to a qualified gunsmith.

If your OA-93/OA-96 stops firing with a live round in the chamber of a hot barrel, remove the round quickly. If you cannot remove the round within 10 seconds, point the OA-93/OA-96 in a safe direction and wait 15 minutes. In this way, you won't be injured by a possible ammunition cookoff, which could happen within 10 seconds after contact with a hot chamber. Clear your OA-93/OA-96.

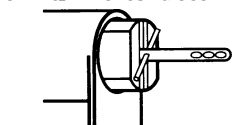
Use only authorized brass case ammunition that is manufactured in the U.S.A., to U.S. specifications. Do not use re-manufactured or imported ammunition.

Please read this manual carefully before attempting to use your OA-93/OA-96.

TABLE OF CONTENTS

Technical Principles of Operation, OA-93 and OA-96 Series	4
Operating Instructions	
Description and Use of Operator's Controls	5
Loading	6-7
Chambering and Firing	8-9
Clearing	10-12
Operation under Unusual Conditions	13
Field Stripping - OA-93 /OA-96 All Models	14
OA-93 Carbine Model 1	15
OA-93/OA-96 Model 1	16
OA-93/OA-96 & Carbine Model 2	17
Exploded Views, Upper Receiver	18
Bolt Carrier Disassembly	20
Cleaning and Lubricating Upper Receiver and Barrel Assembly	22
Bolt Carrier Assembly	23-25
Lower Receiver	26
Bolt and Bolt Carrier Reassembly	27
Reassembly of OA-93 and OA-96 Series	29-31
Function Check	32
Exploded Views, Stock and Lower Receiver	33-34

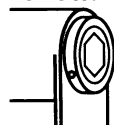
THIS MANUAL covers all variants of the OA-93/OA-96 series, with separate instructions for all three models. Look at the end of the recoil rod above the muzzle to determine which instructions to follow.



**OA-93 Carbine
Model 1**



**OA-93 & OA-96
Model 1**



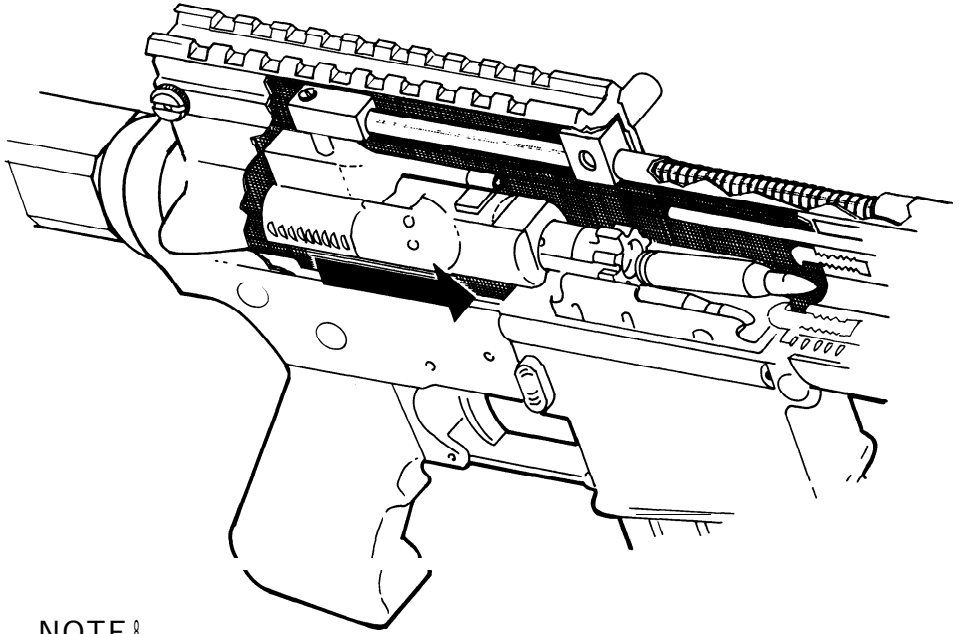
**OA-93, OA-96 &
Carbine Model 2**

NOTE:

The OA-93 series is an amorphous firearm, available in a variety of barrel lengths and (depending upon federal restrictions) available with or without a folding stock. For these reasons, the terms pistol and carbine are sometimes used interchangeably in this manual.

The OA-96 is a distinct sub-species of the OA-93 family. While it shares many parts and procedures with the OA-93 series, it is not available with a folding stock, it has no magazine release sub-assembly, and the magazine is pinned and welded in place. All items referring exclusively to the OA-96 are marked with a star (*) and boxed with a double rule.

Technical Principles of Operation



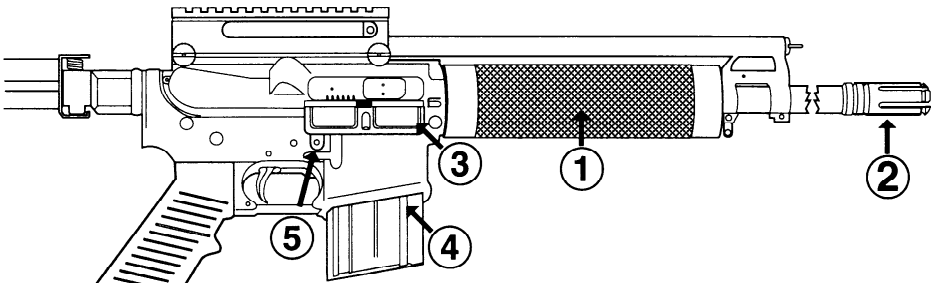
NOTE :

Magazine may be loaded with bolt assembly open or closed.

1. Place selector on SAFE.
2. Insert loaded cartridge magazine in magazine well (*OA-96: see page 5 for loading instructions).
3. Face the target, move the selector lever from SAFE to FIRE and bring your weapon up to firing position.
4. Aim your weapon at the target and squeeze the trigger.
5. Squeezing the trigger releases the hammer, allowing it to impact the firing pin, which strikes the primer in the round.
6. The primer ignites the propellant in the round.
7. Gas from the burning propellant pushes the projectile (bullet) along the barrel of the weapon.
8. The rifling in the barrel causes the projectile to rotate, which provides stability during flight to the target.
9. When the round reaches the approximate end of the barrel, expanding gases from burning propellant pass out through the gas port and into the gas tube. Gas goes into the bolt carrier assembly, ejects the old cartridge, and chambers a new round.

Operating instructions

Description and Use of Operator's Controls and Indicators



Hand Guard (1) – offers checkered grip surface and keeps hands from hot barrel.

Flash Suppressor (2) - reduces the amount of flash from muzzle when weapon is fired.

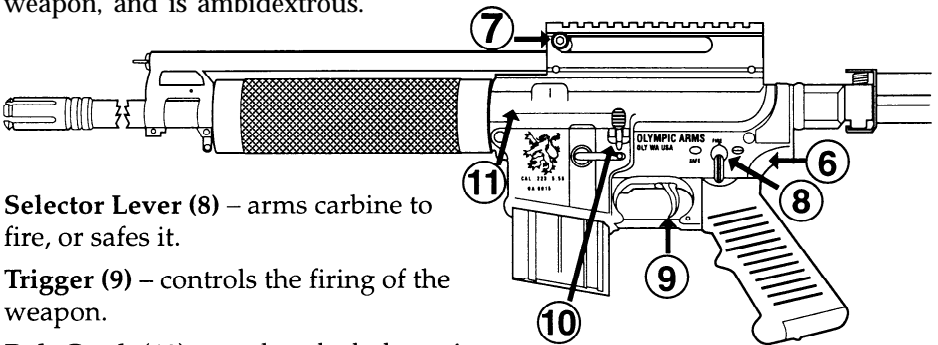
Ejection Port Cover (3) - protects upper receiver from foreign matter when weapon is not in use. Keep port cover closed when not in use.

Cartridge Magazine (4) - supplies ammunition to weapon.

***Magazine Catch Button (5)** - releases cartridge magazine (4) from weapon when pushed (not present on OA-96).

Lower Receiver (6) - provides firing control for the weapon.

Charging Lever (7) - cocks weapon when preparing to fire or clearing weapon, and is ambidextrous.



Selector Lever (8) – arms carbine to fire, or safes it.

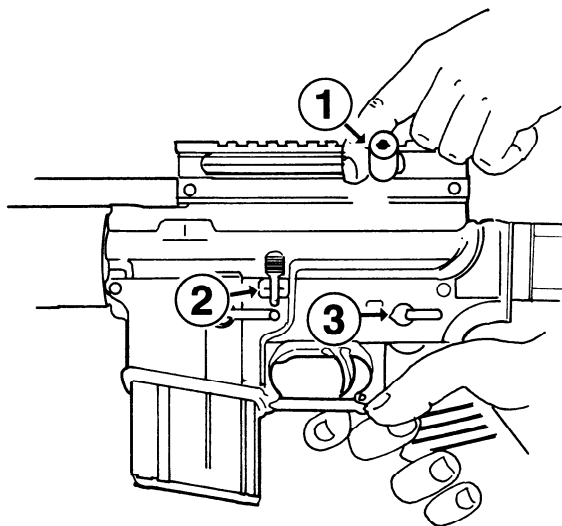
Trigger (9) – controls the firing of the weapon.

Bolt Catch (10) – catches the bolt carrier when the last round is fired.

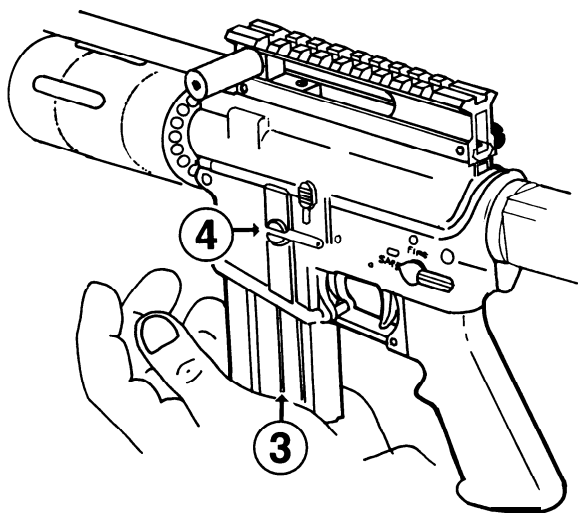
Upper Receiver and Barrel Assembly (11) - directs the projectile upon firing. Houses bolt carrier and recoil assembly.

Loading

WARNING! Point muzzle in a safe direction



1. Pull charging lever assembly (1) rearward, lock bolt (2), and release charging lever. Place selector lever (3) on SAFE.
2. Pull charging lever assembly (1) rearward and check to see that chamber is clear. Release charging handle assembly.



NOTE:

Magazine may be loaded with bolt assembly open or closed.

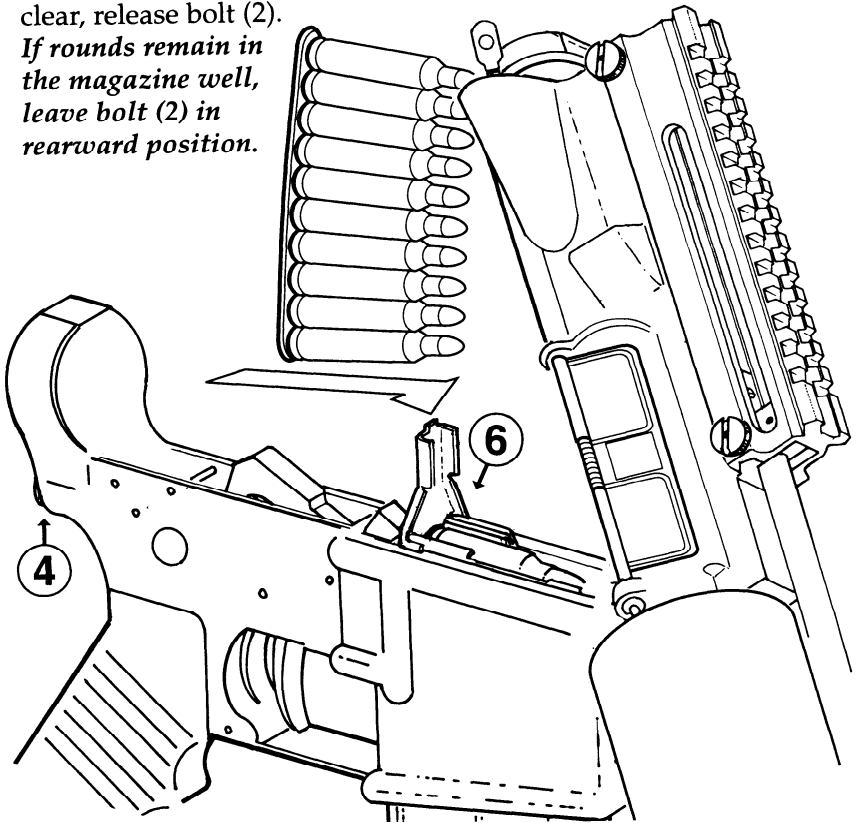
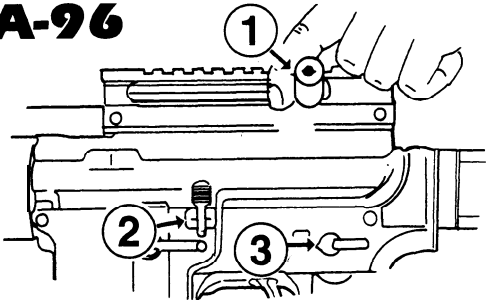
3. Push upward on cartridge magazine (3) until magazine catch (4) engages and holds cartridge magazine.
4. Tap upward to make certain cartridge magazine is correctly seated.

* Loading - **OA-96**

WARNING! Point muzzle in a safe direction

1. Pull charging lever assembly (1) rearward and check to see that chamber is clear. Lock bolt and release charging lever. Place selector lever (3) on SAFE. If the chamber is clear, release bolt (2).

If rounds remain in the magazine well, leave bolt (2) in rearward position.

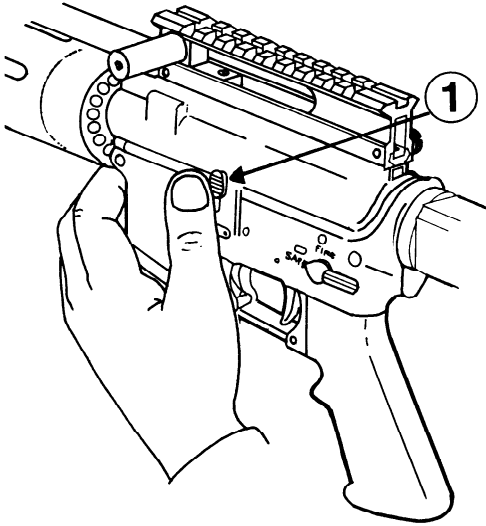


2. Hold on to upper receiver, press release catch (4) and pivot upper receiver up and forward. Cartridges may be inserted singly into magazine well, or in groups of ten by using a stripper clip (5). Insert stripper clip guide (6) into slot behind mag well and press stripper clip down until top cartridge is below lip of magazine well. Remove stripper clip guide.

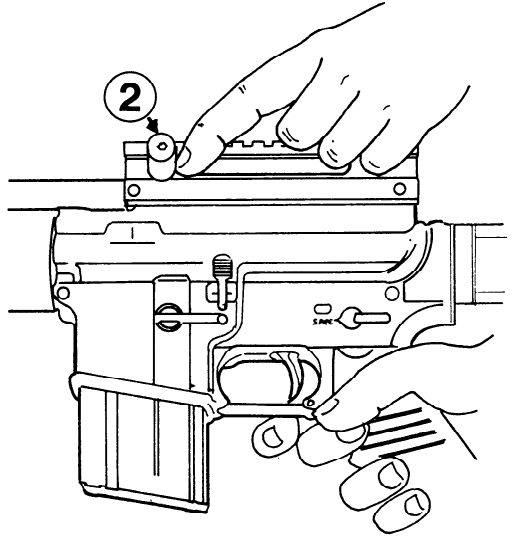
Operating Procedure

Chambering and Firing a Round

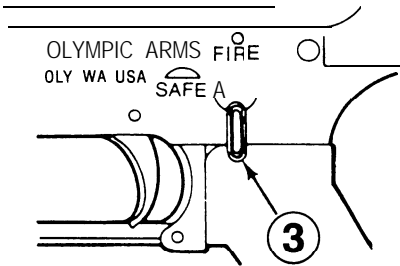
BOLT ASSEMBLY OPEN



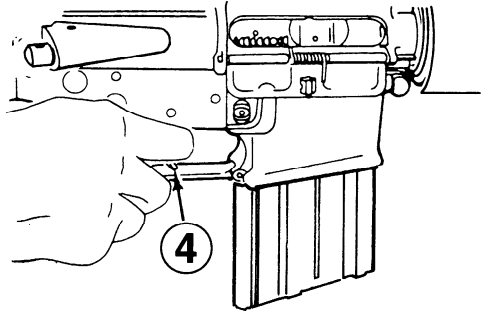
1. Depress upper portion of bolt catch (1) to release the bolt.



2. Check charging lever (2) to ensure that bolt is fully forward.



3. Move selector lever (3) to FIRE.

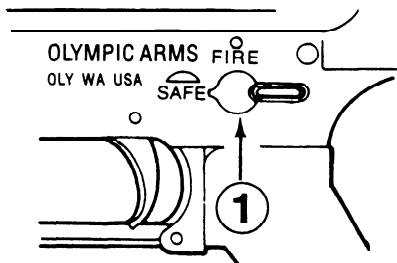


4. Squeeze the trigger (4) and fire.

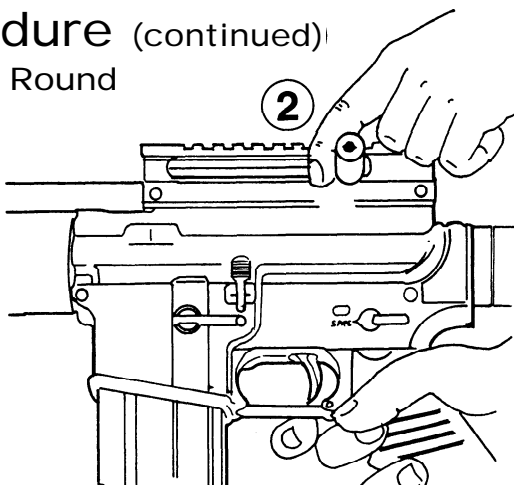
Operating Procedure (continued)

Chambering and Firing a Round

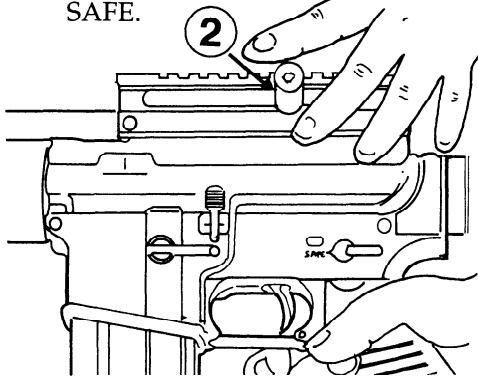
BOLT ASSEMBLY CLOSED



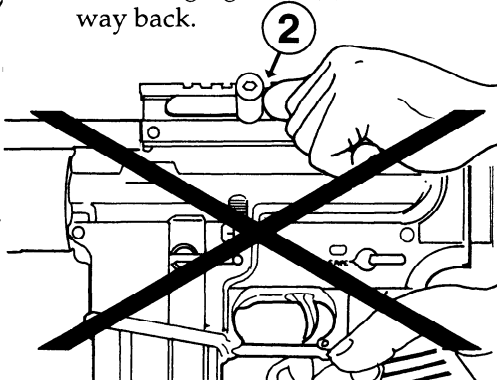
1. Place the selector lever (1) on SAFE.



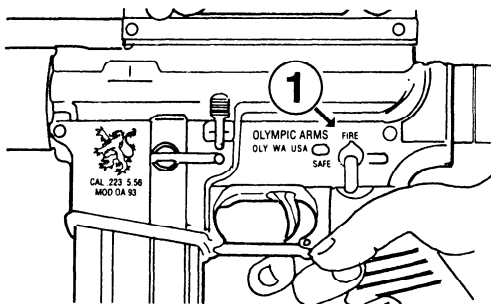
2. Pull charging lever (2) all the way back.



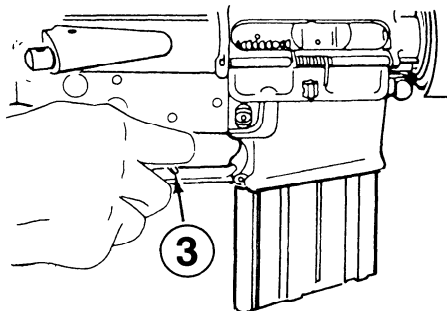
3. Release the charging lever (2).



4. Never "ride" the charging lever (2). Let it go on its own.



5. Move the selector lever (1) to FIRE.



6. Squeeze the trigger (3) and fire.

Operating Procedure

Clearing Your OA-93

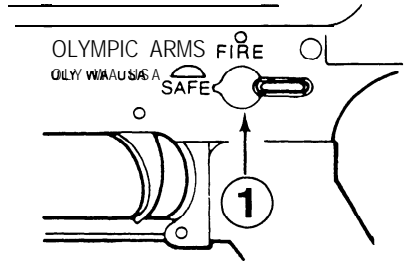
(OA-96 Model - Page 12)

WARNING

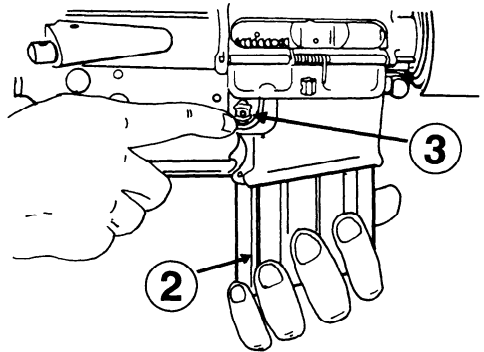
To avoid accidental firing, always look into chamber after clearing your weapon to make sure it does not contain a round.

1. Place selector lever (1) on SAFE.

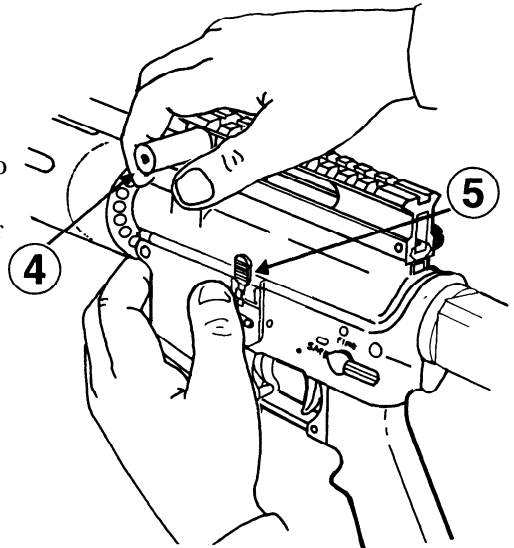
NOTE: If weapon is not cocked, lever cannot be pointed toward SAFE.



2. Remove cartridge magazine (2) by depressing magazine catch button (3) and pulling cartridge magazine (2) down.



3. To lock bolt open, pull charging lever (4) rearward, press bottom of bolt catch (5) and allow bolt to move forward until it engages bolt catch. Return charging lever (4) forward.



Operating Procedure

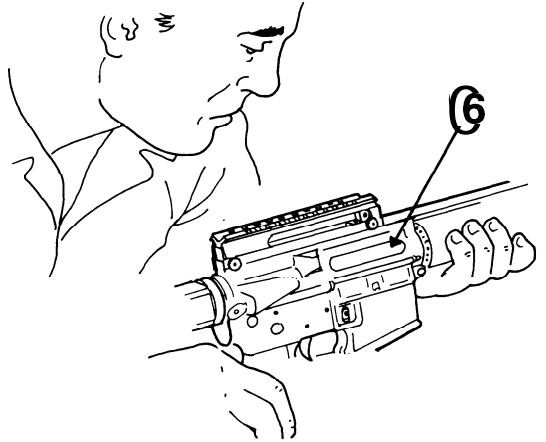
Clearing Your OA-93

(OA-96 Model - Page 12)

NOTE:

Ensure that selector lever is pointed toward SAFE.

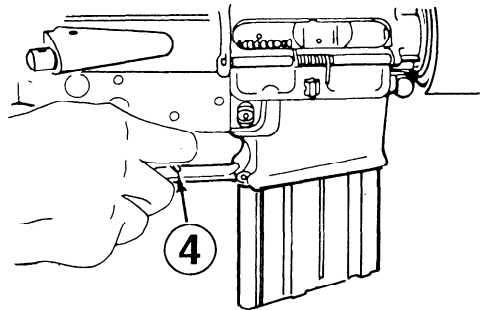
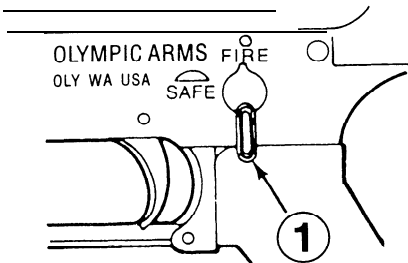
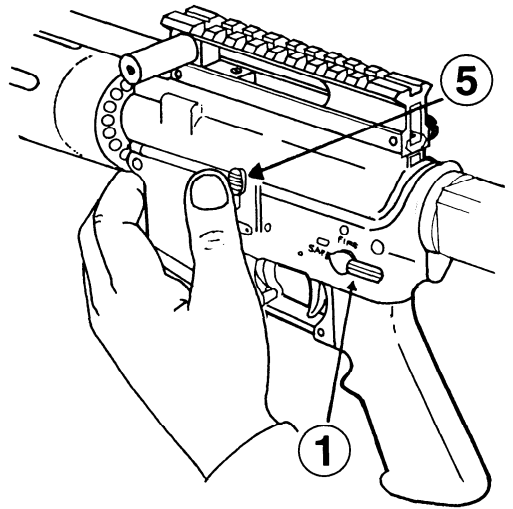
4. Check receiver and chamber (6) to ensure these areas contain no ammunition.
5. With selector lever (1) pointing toward SAFE, allow bolt to go forward by pressing upper portion of bolt catch (5)



NOTE

If weapon is to be stored, it should be dry-fired to release tension on hammer spring.

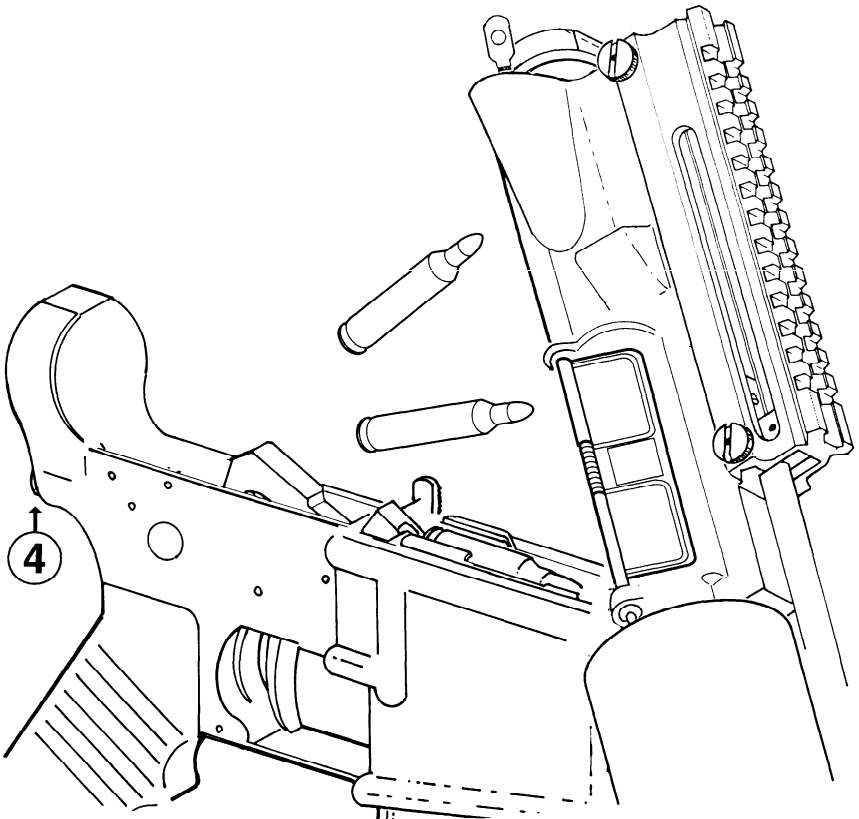
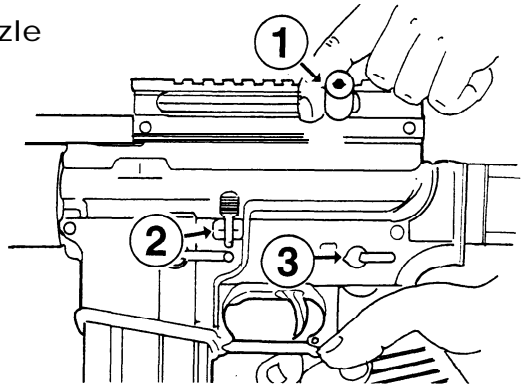
6. Place selector lever (1) on FIRE and squeeze trigger to release tension on hammer spring (make sure muzzle is pointed in a safe direction).



* Clearing your OA-96

WARNING! Point muzzle
in a safe direction

1. Pull charging lever assembly (1) rearward, lock bolt (2), and release charging lever. Place selector lever (3) on SAFE.



2. Press release catch (4) and pivot upper receiver up and forward. Cartridges may be stripped out of the magazine well with your thumb.

Operation Under Unusual Conditions

NOTE

Unusual conditions are defined as any climatic condition requiring special maintenance of this weapon.

Perform the maintenance outlined for the climate that most applies to your operational area.

HOT, DRY CLIMATES

Hot, dry climates are usually dusty and sandy areas. They are hot during day-light hours and cool during the night hours.

- A. Dust and sand will get into the weapon and will cause malfunctions and excessive wear on component working surfaces through abrasive action during the firing operations.
- B. Corrosion is less likely to form on metal parts in a dry climate; therefore, lubricate internal working surfaces only with a small application of cleaner, lubricant and preservative (always shake CLP prior to use). Do not lubricate external parts of the weapon. Doing so will only collect dust and sand, making it more difficult to keep the OA-93/OA-96 clean. Do not lubricate internal components of the magazines, or the magazine well on the OA-96.
- C. Using additional equipment - i.e., protective cap and spare magazine protective bags and overall protective cover will help keep dust and sand from getting into the OA-93/OA-96. Use these items as the situation warrants. As a minimum precaution to keep dust and sand out of your weapon, keep the ejection port cover closed, a cartridge magazine installed, and a muzzle cap on your OA-93/OA-96.

NOTE: Before firing, remove the protective cap and keep for later use. However, it is not dangerous to fire the weapon with the protective cap in place; the cap will blow off when the first round is fired and may be lost.

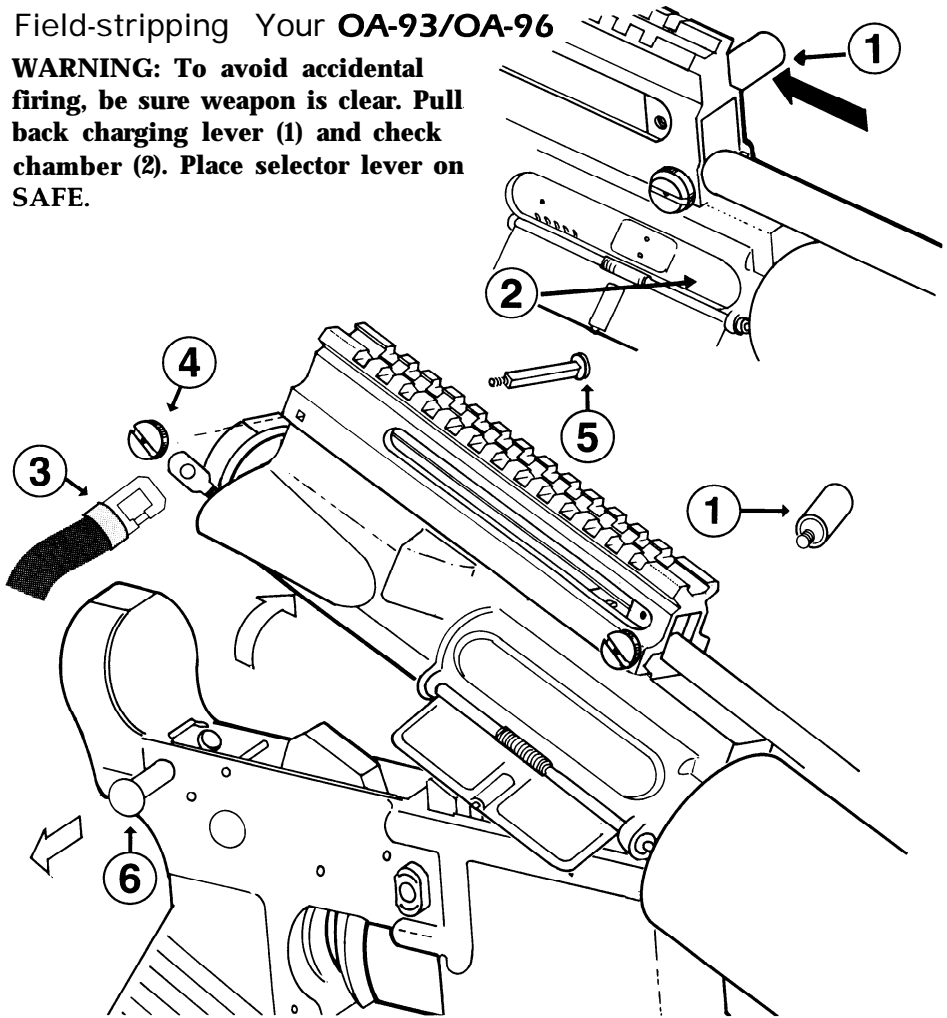
HEAVY RAIN

Perform maintenance according to the appropriate climatic condition. Use additional equipment - protective cap and spare magazine, protective bags and over-all protective cover as the situation warrants. Always keep the OA-93/OA-96 dry. Using the protective cap will help keep water out of the barrel. Always drain any water from the barrel before firing. Dry the bore with a swab and cleaning rod, if necessary

Maintenance Procedures

Field-stripping Your **OA-93/OA-96**

WARNING: To avoid accidental firing, be sure weapon is clear. Pull back charging lever (1) and check chamber (2). Place selector lever on **SAFE**.



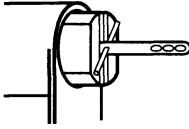
1. Remove sling (3), if any.
2. Remove rear knurled locking nut (4), using a large standard screwdriver.
3. Push out rear locking pin (5).
4. **OA-93 series:** Push out take-down pin (6) as far as it will go

and pivot upper receiver away from lower.

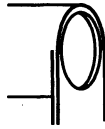
***OA-96:** press release button on the butt of the lower receiver to pivot upper receiver away from the lower.

OA-93 Carbine Model 1: continued next page • OA-93/OA-96 Model 1: go to page 16 • OA-93/OA-96 and Carbine Model 2: go to page 17

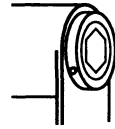
PLEASE NOTE: The recoil assembly on the OA-93 Carbine Model 1 differs from the assembly on the OA-93/OA-96 Model 1. Look at the recoil rod end above the muzzle to determine which instructions to follow.



**OA-93 Carbine
Model 1**



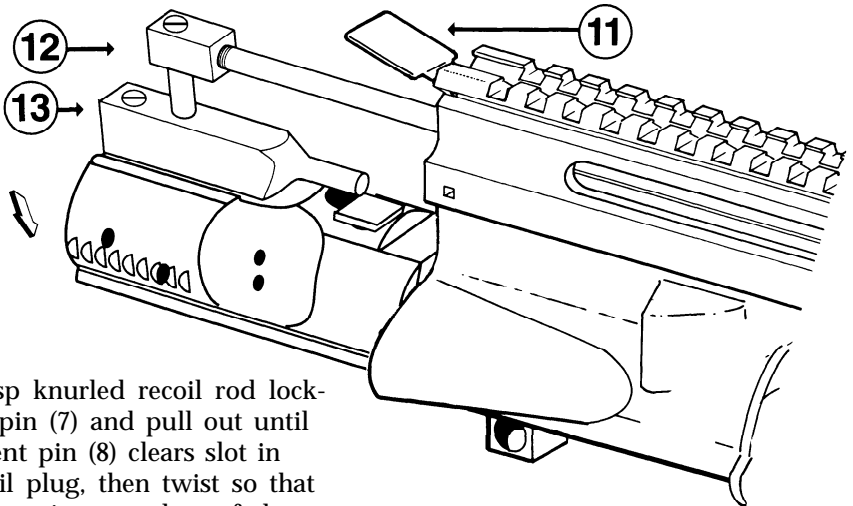
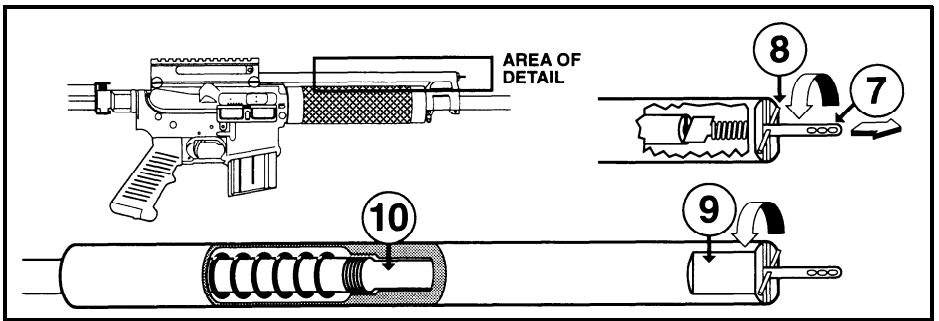
**OA-93 & OA-96
Model 1**



**OA-93/OA-96 &
Carbine Model 2**

Maintenance Procedures

Field-stripping Your OA-93 Carbine Model 1



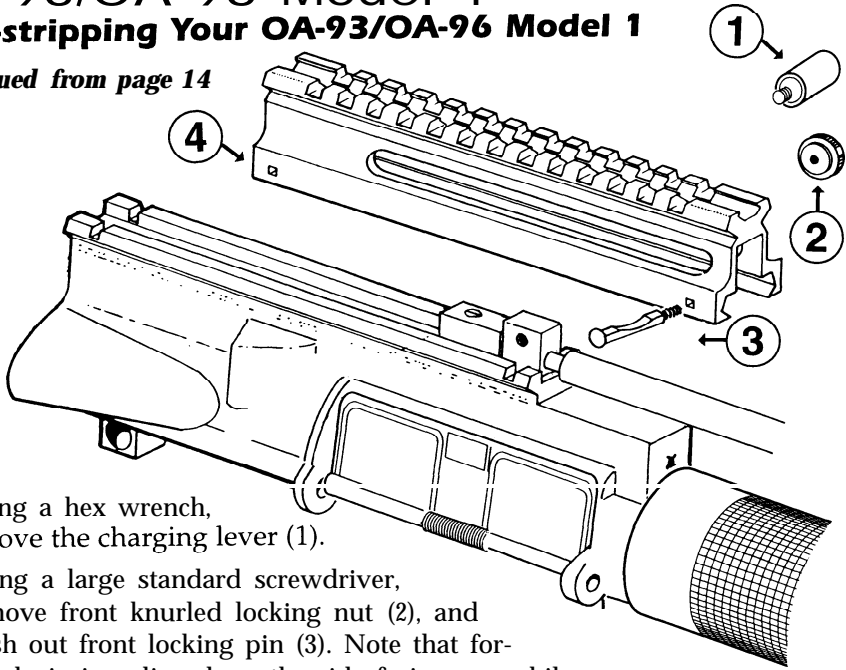
5. Grasp knurled recoil rod locking pin (7) and pull out until detent pin (8) clears slot in recoil plug, then twist so that detent pin rests clear of slot.
6. Grasp recoil plug (9) by the flat edges and unscrew from recoil rod (10).
7. Lift access hatch (11) at rear of scope mount.
8. Slide out bolt carrier and recoil assembly (12).
9. Drop bolt carrier, carrier key and linking pin (13) free of recoil assembly.

Maintenance

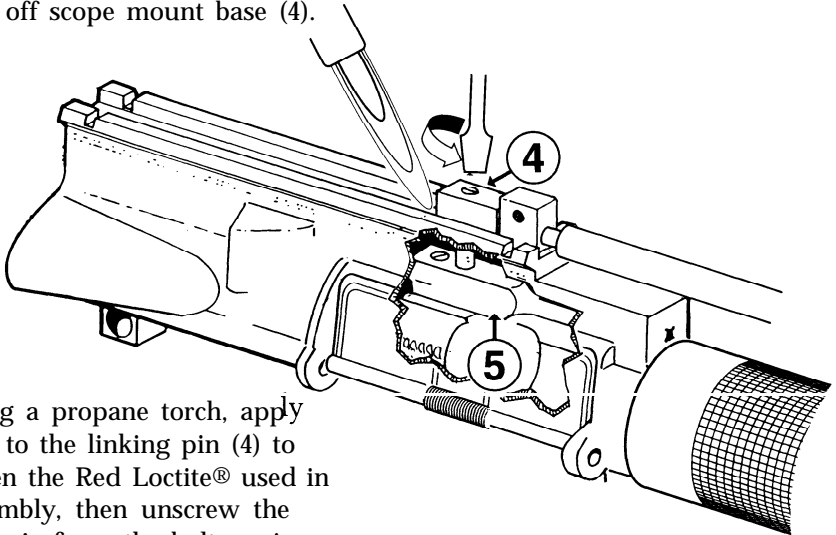
OA-93/OA-96 Model 1

Field-stripping Your OA-93/OA-96 Model 1

Continued from page 14



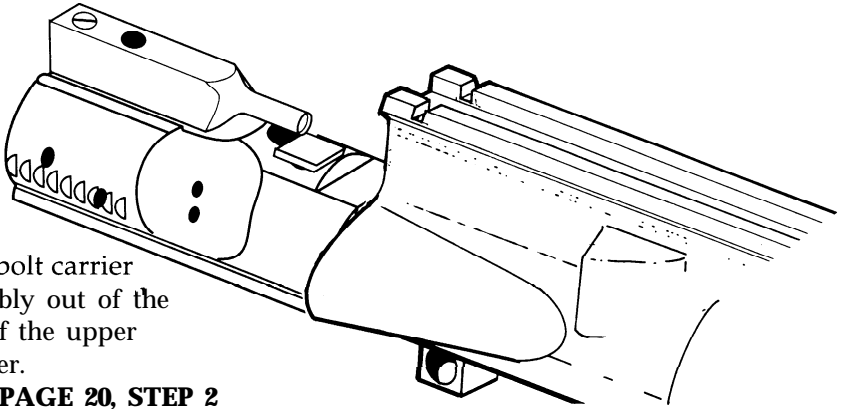
1. Using a hex wrench, remove the charging lever (1).
2. Using a large standard screwdriver, remove front knurled locking nut (2), and push out front locking pin (3). Note that forward pin is radiused on the side facing up, while the rear pin is not.
3. Slide off scope mount base (4).



4. Using a propane torch, apply heat to the linking pin (4) to soften the Red Loctite® used in assembly, then unscrew the link pin from the bolt carrier key

Maintenance Procedures OA-93/OA-96 Model 1

Field-stripping Your OA-93/OA-96 Model 1



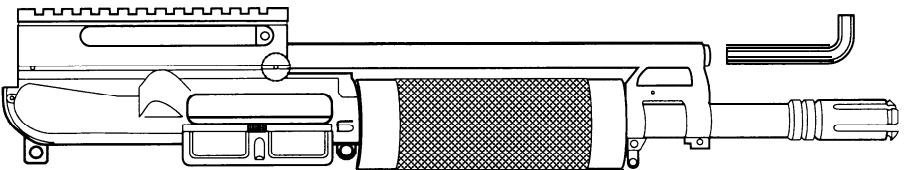
3. Slide bolt carrier assembly out of the rear of the upper receiver.

GO TO PAGE 20, STEP 2

NOTE: *the recoil assembly is under constant tension. Do not attempt to remove the recoil rod link. If you must remove it, be aware that the spring and recoil rod will shoot out violently when the block is removed.*

Maintenance Procedures OA-93/OA-96 and Carbine Model 2

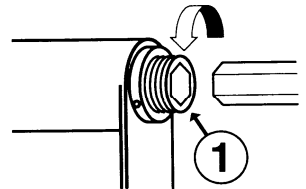
Field-stripping Your OA-93/OA-96 & Carbine Model 2



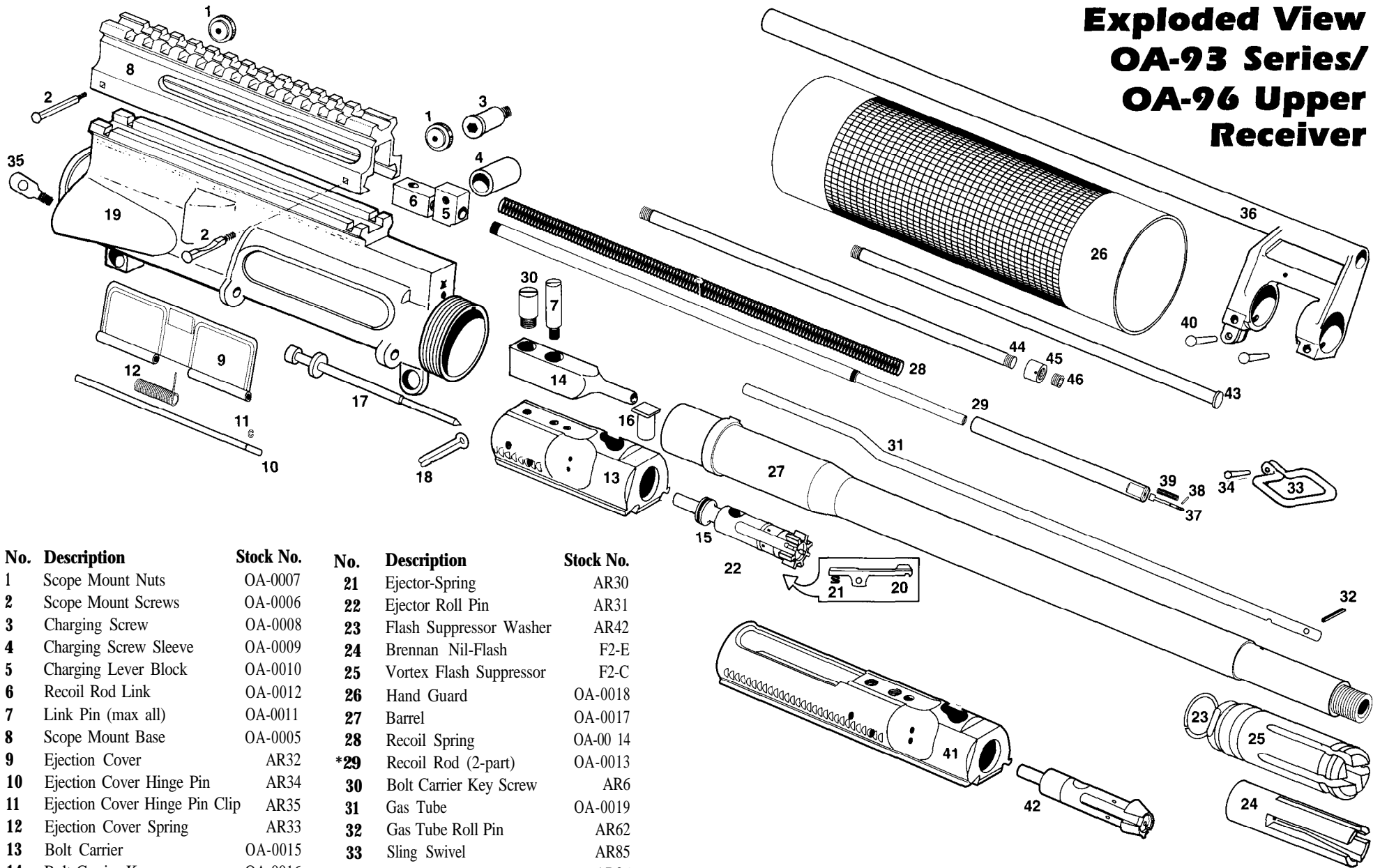
Continued from page 14

1. Using a hex head wrench, back off the recoil rod set screw (1) a couple of turns.

GO TO PAGE 19



Exploded View OA-93 Series/ OA-96 Upper Receiver



No.	Description	Stock No.	No.	Description	Stock No.
1	Scope Mount Nuts	OA-0007	21	Ejector-Spring	AR30
2	Scope Mount Screws	OA-0006	22	Ejector Roll Pin	AR31
3	Charging Screw	OA-0008	23	Flash Suppressor Washer	AR42
4	Charging Screw Sleeve	OA-0009	24	Brennan Nil-Flash	F2-E
5	Charging Lever Block	OA-0010	25	Vortex Flash Suppressor	F2-C
6	Recoil Rod Link	OA-0012	26	Hand Guard	OA-0018
7	Link Pin (max all)	OA-0011	27	Barrel	OA-0017
8	Scope Mount Base	OA-0005	28	Recoil Spring	OA-00 14
9	Ejection Cover	AR32	*29	Recoil Rod (2-part)	OA-0013
10	Ejection Cover Hinge Pin	AR34	30	Bolt Carrier Key Screw	AR6
11	Ejection Cover Hinge Pin Clip	AR35	31	Gas Tube	OA-0019
12	Ejection Cover Spring	AR33	32	Gas Tube Roll Pin	AR62
13	Bolt Carrier	OA-0015	33	Sling Swivel	AR85
14	Bolt Carrier Key	OA-0016	34	Sling Swivel Pin	AR86
15	Bolt	T-26	35	Sling Swivel Stud	OA-0004
16	Bolt Cam Pin	AR16	36	Recoil Spring Housing	OA-0022
17	Firing Pin	AR39	*37	Recoil Rod Locking Pin	OA-0023
18	Firing Pin Retaining Pin	AR40	*38	Detent Pin	OA-0024
19	Upper Receiver	OA-0003	*39	Locking Pin Spring	OA-0025
20	Ejector	AR28	40	Front sight taper pins	AR59
			41	Bolt carrier TCP (auto)	OA-0015-A
			42	9mm bolt	AR3-9
			†43	Recoil rod (model 1)	OA-0026
			‡44	Recoil rod (model 2)	OA-0027
			‡45	Recoil rod nut	OA-0028
			‡46	Recoil rod set screw	OA-0029

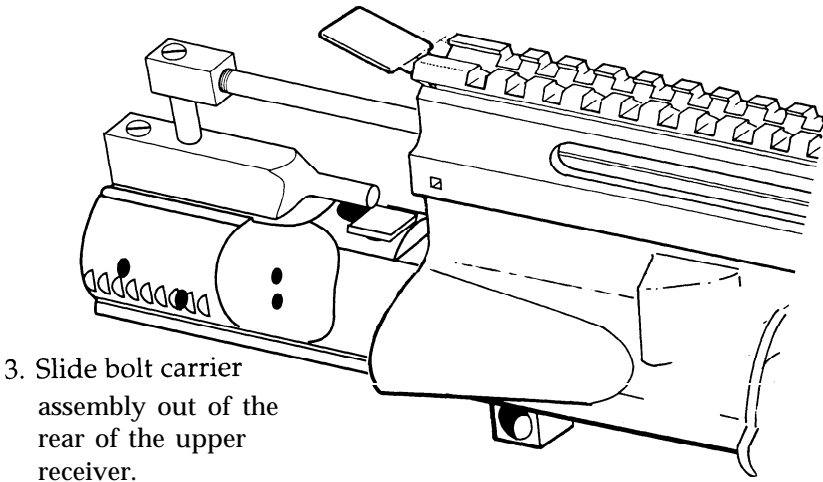
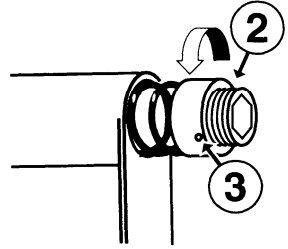
* Parts exclusive to OA-93 Carbine
 † Parts exclusive to OA-93/OA-96 Model 1
 ‡ Parts exclusive to OA-93/OA-96 Model 2
 § Parts exclusive to OA-93 TCP

Maintenance Procedures

OA-93/OA-96 and Carbine Model 2

Field-stripping Your OA-93/OA-96 & Carbine Model 2

2. Remove the recoil rod locking nut (2). If you have difficulty gripping the nut, insert a small hex wrench into the takedown hole (3). **BE CAREFUL.** The recoil spring will shoot out the end of the housing as soon as the nut is removed. Maintain pressure and ease the spring tension gradually.



3. Slide bolt carrier assembly out of the rear of the upper receiver.

GO TO PAGE 20, STEP 1

Maintenance Procedures

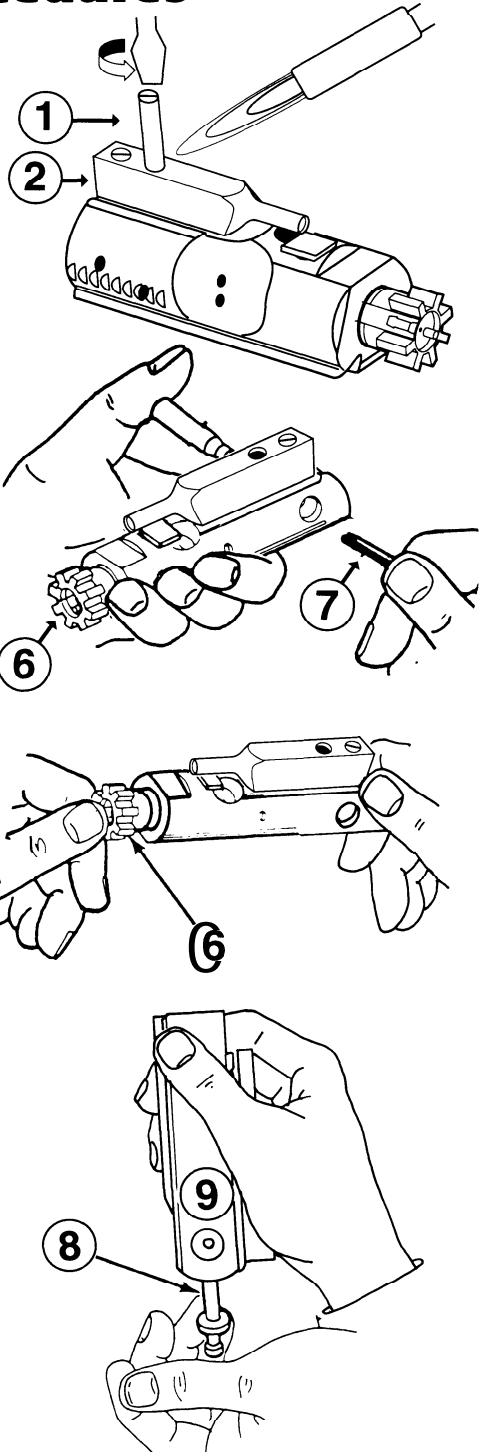
Bolt Carrier Disassembly

NOTE: The following illustrations show the link pin removed from the bolt carrier key. If you are disassembling an OA-93/OA-96 Model 1, the link pin must be removed. **It is not necessary to remove it on the OA-93/OA-96 Model 2, or the OA-93 Carbine.**

The only time you must remove the link pin on these models is when you wish to remove the bolt carrier key from the bolt carrier.

To remove the link pin: use a propane torch to apply heat to the base of the link pin (1) to soften the Red Loctite used in assembly. Use a standard screwdriver to unscrew link pin from bolt carrier key. **BE CAREFUL NOT TO BURN YOURSELF ON THE HOT LINK PIN** - use a pair of heavy gloves for this step.

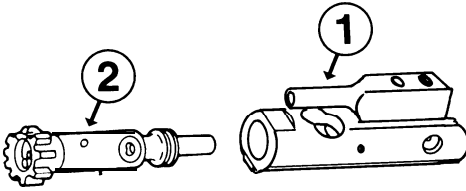
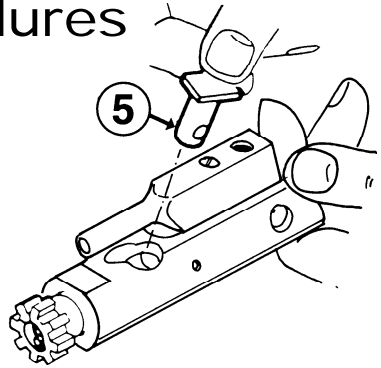
2. Move bolt assembly (6) forward to unlocked position and remove firing pin retaining pin (7). Do not open or close split end of firing pin retaining pin (7).
3. Push in on bolt assembly (6) to put in locked position.
4. Catch firing pin (8) as it drops out of rear of bolt carrier assembly (9).



Maintenance Procedures

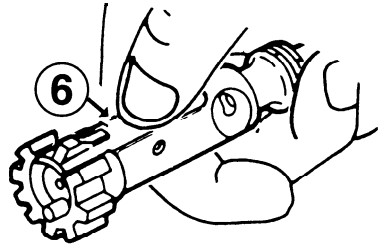
Bolt Carrier Disassembly

5. Give bolt cam pin (5) a quarter-turn and lift out.
6. Remove bolt assembly (2) from bolt carrier assembly (1).

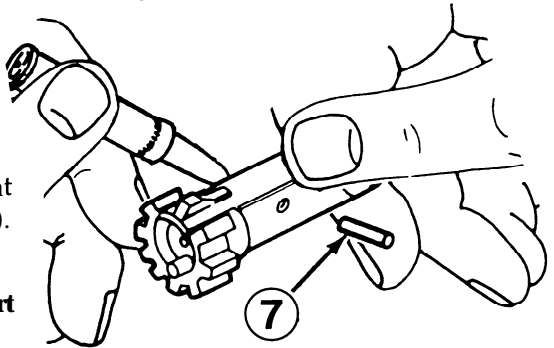


NOTE: Disassemble extractor and spring assembly only when dirty or damaged.

7. Press top of extractor (6) to check that spring works.

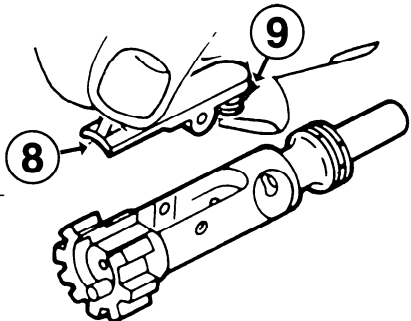


8. Use dummy round or ballpoint pen to remove extractor pin (7).



CAUTION: Do not separate insert from spring assembly (9).

9. Remove extractor (8) and spring assembly (9). Do not remove spring assembly (9) from extractor (8).
- 10 Reassemble in reverse order. Be sure to use Red Loctite when installing flash suppressor (if removed) and link pin (#1, page 20).



Maintenance Procedures

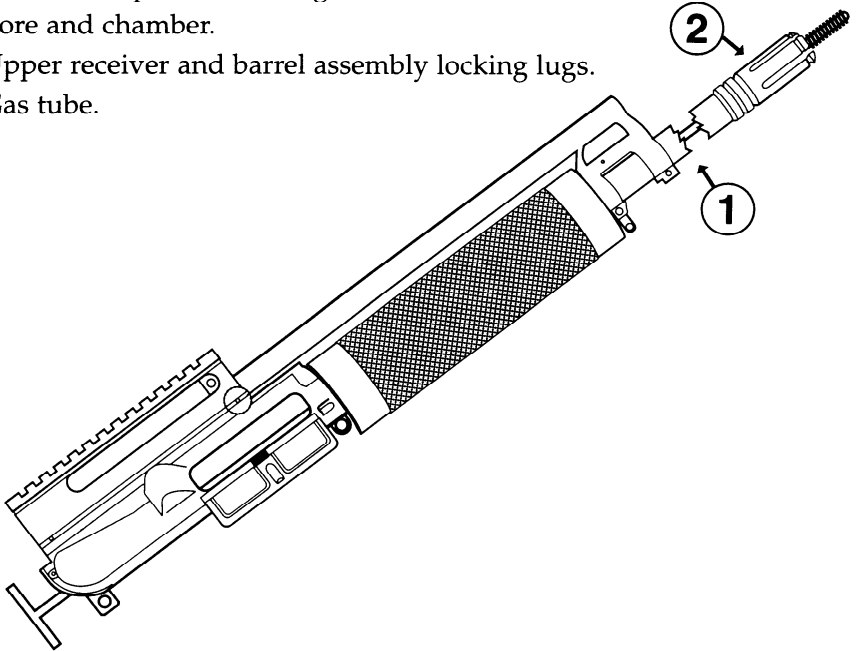
Cleaning and Lubricating

Upper Receiver and Barrel Assembly

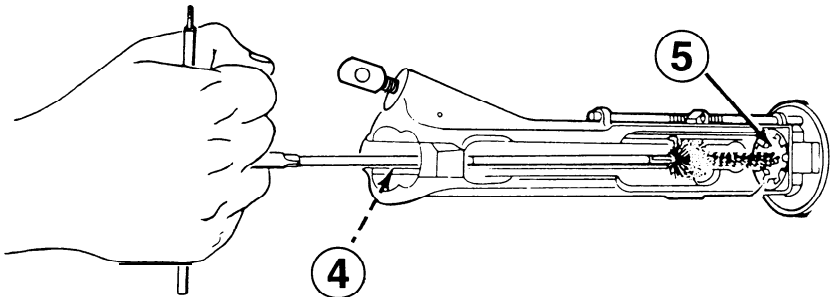
NOTE: Do not reverse direction of the bore brush while it is in the bore.

Use cleaner, lubricant and preservative (CLP) on the following areas:

- A. All areas of powder fouling, corrosion, dirt and rust.
- B. Bore and chamber.
- C. Upper receiver and barrel assembly locking lugs.
- D. Gas tube.



- 1 Use cleaning rod, bore brush and CLP. Run rod through chamber, barrel (1) and flash suppressor (2).



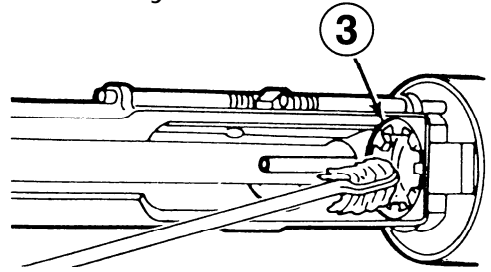
2. Install chamber brush on cleaning rod, dip in CLP, and insert in chamber (4) and locking lugs (5). Clean by pushing and twisting cleaning rod.

Maintenance Procedures

Cleaning and Lubricating

Upper Receiver and Barrel Assembly

3. Lightly lubricate bore and chamber, outer surface of barrel and recoil spring tube, and surfaces under hand guards.
4. Lubricate locking lugs (3).

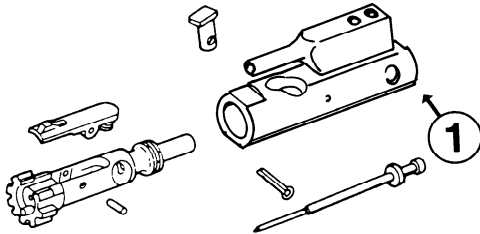


NOTE: Do not over-lubricate your OA-93/OA-96. Excess oil will attract dirt and grit, and lead to excessive wear. Wipe off excess before reassembling.

Maintenance Procedures

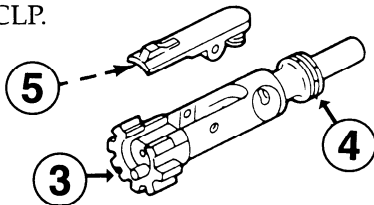
Cleaning and Lubricating Bolt Carrier Assembly

CAUTION: Do not use firing pin to clean inner surfaces of bolt or bolt carrier assembly.



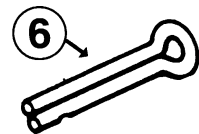
1. Clean all parts and outer surfaces of the bolt carrier assembly (1) with a swab saturated with CLP.

2. Clean the bolt carrier key (2) with a worn bore brush dipped in CLP. Dry with a pipe cleaner. Use a pipe cleaner to apply a light coating of CLP to carrier key.



3. Remove carbon deposits and dirt from locking lugs (3) with bore brush dipped in CLP.
4. Clean areas behind bolt rings (4) and under lip of extractor (5).

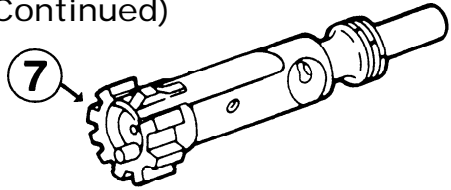
5. Inspect firing pin retaining pin (6) for bends, breaks, or dents.



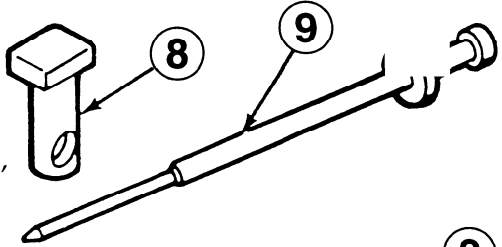
Maintenance Procedures

Cleaning and Lubricating Bolt Carrier Assembly (Continued)

6. Inspect bolt assembly (7) for cracks and fractures, especially in the cam pin hole area.



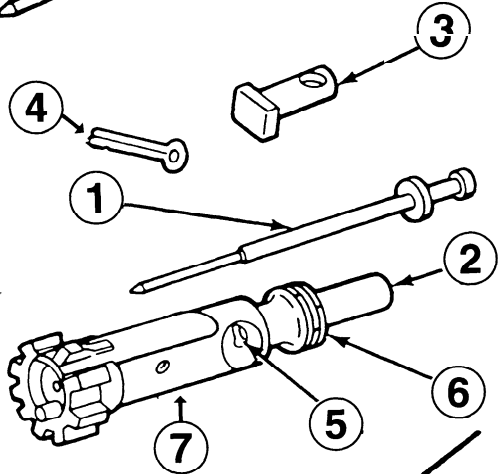
7. Inspect bolt cam pin (8) for cracks or chips.



8. Inspect firing pin (9) for bends, cracks, or blunted tip.

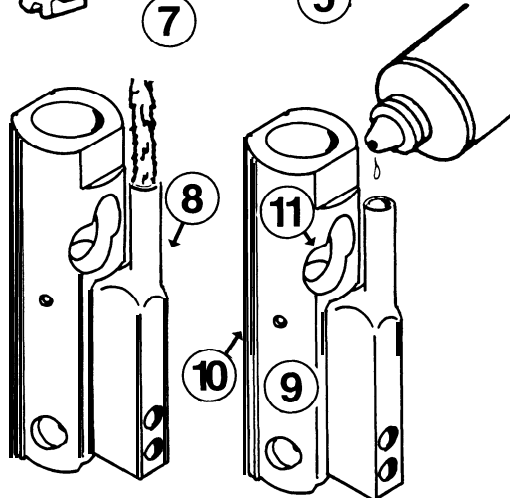
LUBRICATION

1. Lightly lubricate firing pin (1) and firing pin recess (2) in bolt assembly.
2. Generously lubricate outside of bolt cam pin (3) and firing pin retaining pin (4) with CLP. Make certain to lubricate bolt assembly cam pin hole (5), bolt rings (6), and outside of bolt assembly (7).



3. Dry the inside of the bolt carrier key (8) with a pipe cleaner, and place one drop of CLP inside key.

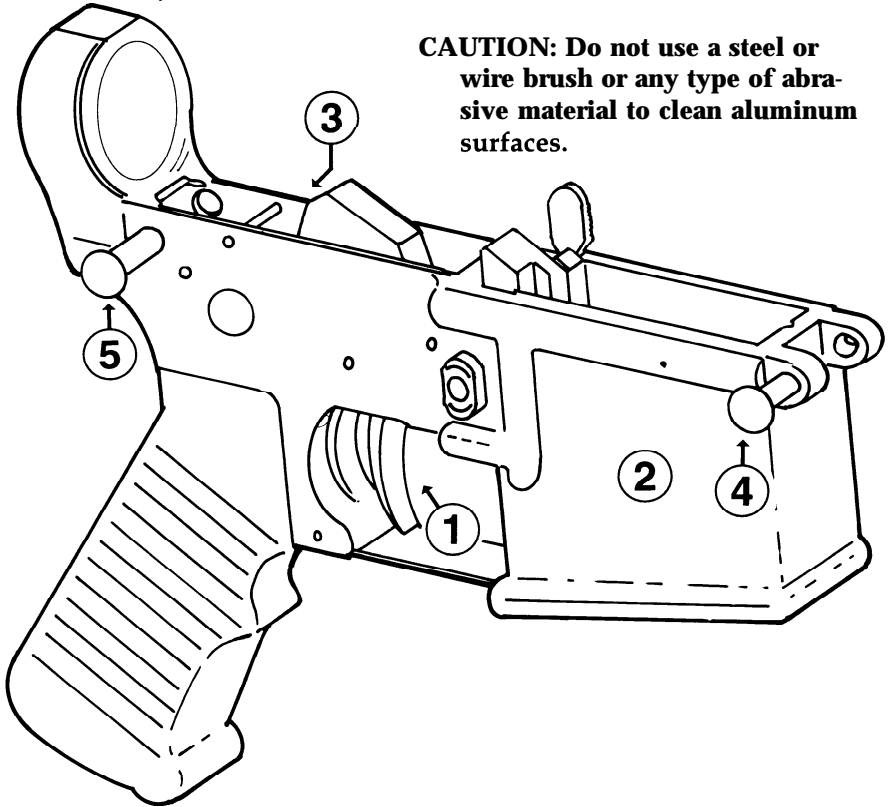
4. Lightly lubricate with CLP the inner and outer surfaces of the bolt carrier assembly (9). Generously lubricate the slide (10) and cam pin area (11) of bolt carrier assembly.



Maintenance Procedures

Cleaning and Lubricating the Lower Receiver

NOTE: The lower receiver should only be disassembled by a qualified gunsmith. If you need to do repairs on your lower receiver, write to Olympic Arms and request part number H-7, U.S. Marine Corps Technical Manual (TM 05538C-23&P/2).



CAUTION: Do not use a steel or wire brush or any type of abrasive material to clean aluminum surfaces.

1. Wipe dirt from trigger (1) with a swab.
2. Use a swab dipped in CLP and a cleaning brush to clean powder fouling, corrosion and dirt from outside parts of lower receiver.
3. Clean the inside of the lower receiver (2) with a swab dipped in CLP. Wipe dry.
4. Examine lower receiver for corrosion or damage. Also check for broken or bent trigger (1), bent or damaged selector lever (3), or any cracks, dents, or breaks. If you think the parts are bad, see a reputable gunsmith.
5. Lightly lubricate inside of lower receiver with CLP. Generously lubricate takedown (5) and pivot pins (4) with CLP.

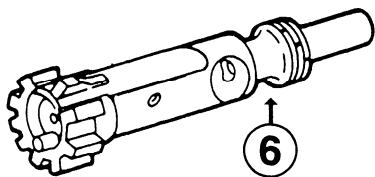
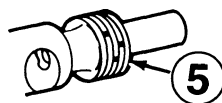
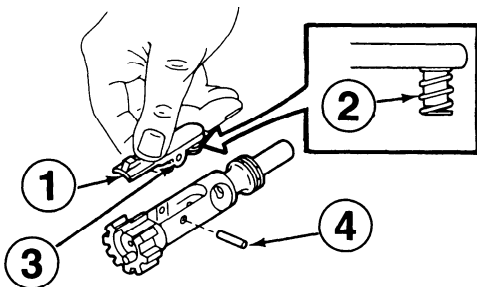
Maintenance Procedures

Bolt Carrier Assembly

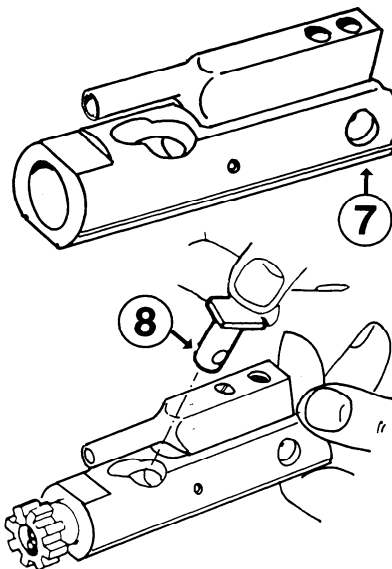
NOTE: New extractor has silicone insert with spring. Be careful not to lose it.

1. If the spring comes loose, seat the large end of spring in the extractor.
2. Insert extractor (1) and spring assembly (2) into bolt.
3. Push extractor (1) and spring assembly (2) down. Align hole (3) with hole in bolt and insert extractor pin (4).
4. Stagger gaps in bolt rings (5) to stop gas loss. (Pistol caliber bolts have no gas rings).

WARNING: Don't switch bolt assemblies between weapons.



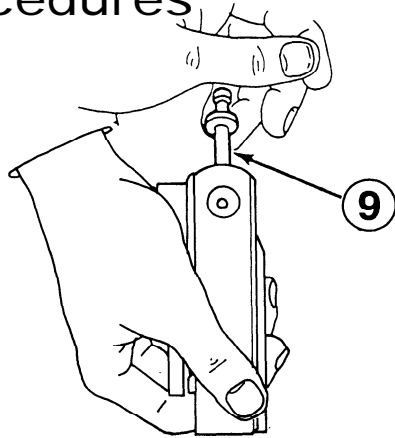
5. Slide bolt assembly (6) into bolt carrier assembly (7).
6. Insert bolt cam pin (8) and give it a 1/4 turn.



Maintenance Procedures

Bolt Carrier Assembly

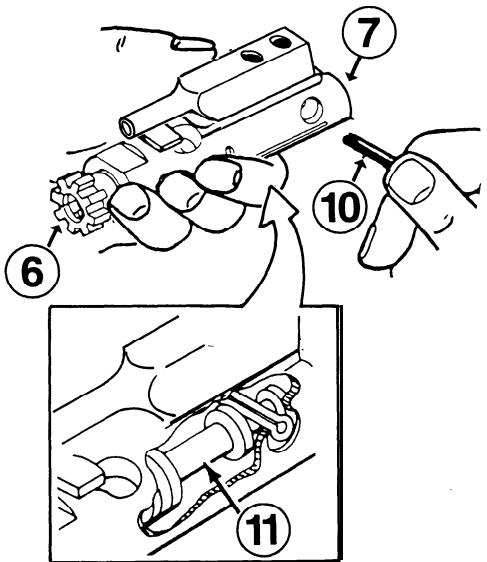
- Drop firing pin (9) into opening and seat.



- Push bolt assembly (6) back and replace firing pin retaining pin (10).

NOTE: Firing pin (11) should not fall out when bolt carrier assembly is turned upside down.

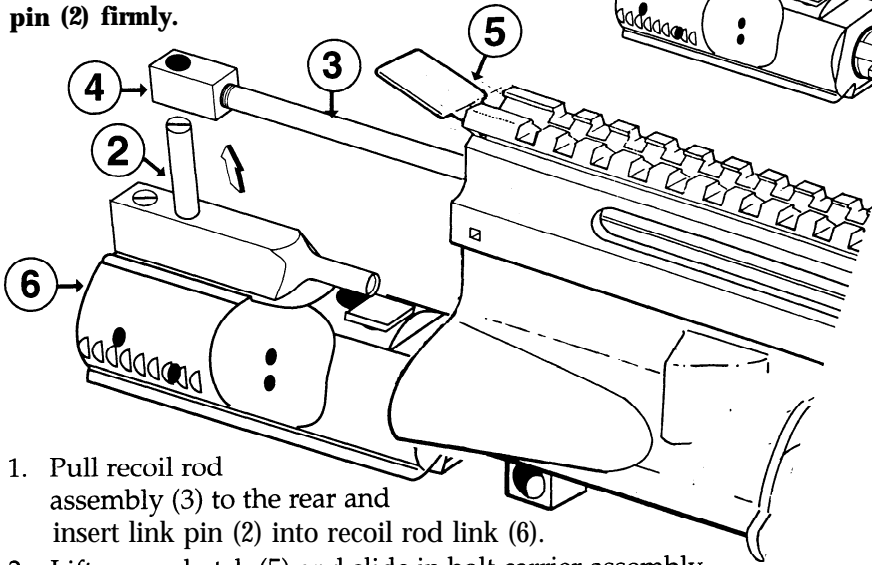
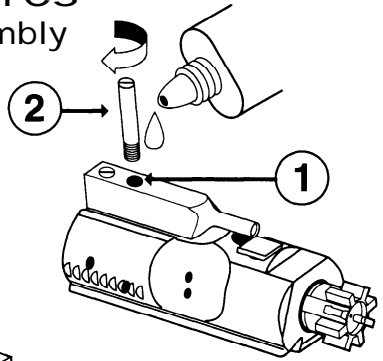
- Turn bolt carrier assembly (7) over and try to shake out the firing pin.



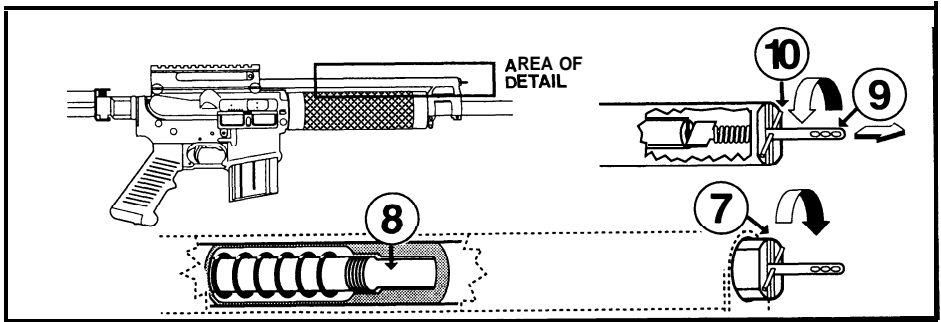
Maintenance Procedures

OA-93 Carbine Model 1 Reassembly

If for any reason you unscrewed the link pin from the bolt carrier, replace it now. Place one drop of Red Loctite® in the forward hole (1) and screw in link pin (2) firmly.



1. Pull recoil rod assembly (3) to the rear and insert link pin (2) into recoil rod link (6).
2. Lift access hatch (5) and slide in bolt carrier assembly (If assembly binds, try turning your OA-93/OA-96 upside down).



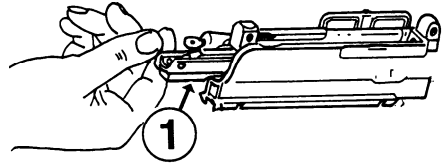
3. Screw forward part of recoil rod (7) firmly onto rear part of recoil rod (8).
4. Pull out and turn detent pin (9) until you feel the paddle of

- the pin drop into the slot on the end of the rear recoil rod.
5. Turn locking pin (10) until it snaps into the groove on the end of the recoil rod.

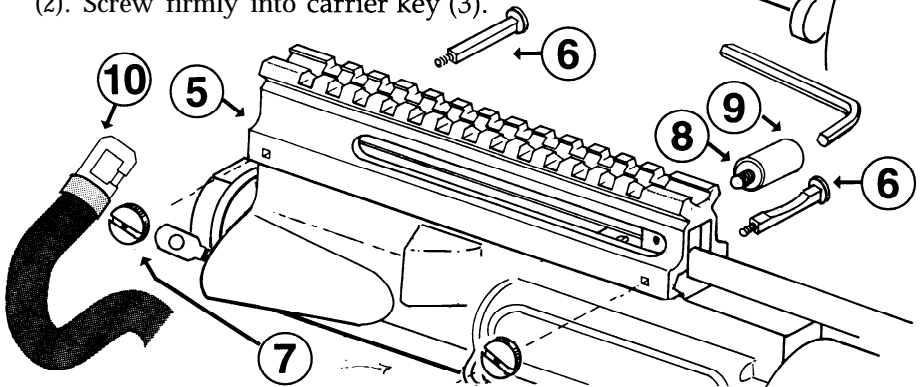
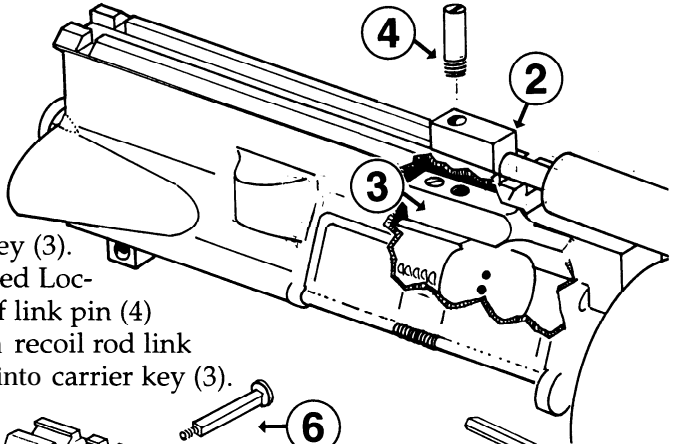
Maintenance Procedures

OA-93/OA-96 Model 1 Reassembly

1. Turn upper receiver upside down and slide in bolt carrier assembly (1).



2. Align holes in recoil rod link (2) and bolt carrier key (3). Apply a drop of red Loctite® to threads of link pin (4) and press through recoil rod link (2). Screw firmly into carrier key (3).



3. Slide on scope mount base (5). Push in scope mount screws (6), making sure that the forward screw has radiused side facing upward. Tighten down scope mount nuts (7) with large standard screwdriver. **NOTE: These screws are ambidextrous, and can be inserted from either side.**

charging screw sleeve (9). Apply blue Loctite® to the threads of the charging screw and fasten assembly to charging lever block with a 5/32" hex head wrench. **NOTE: This assembly is ambidextrous, and can be attached to either side of the charging lever block.**

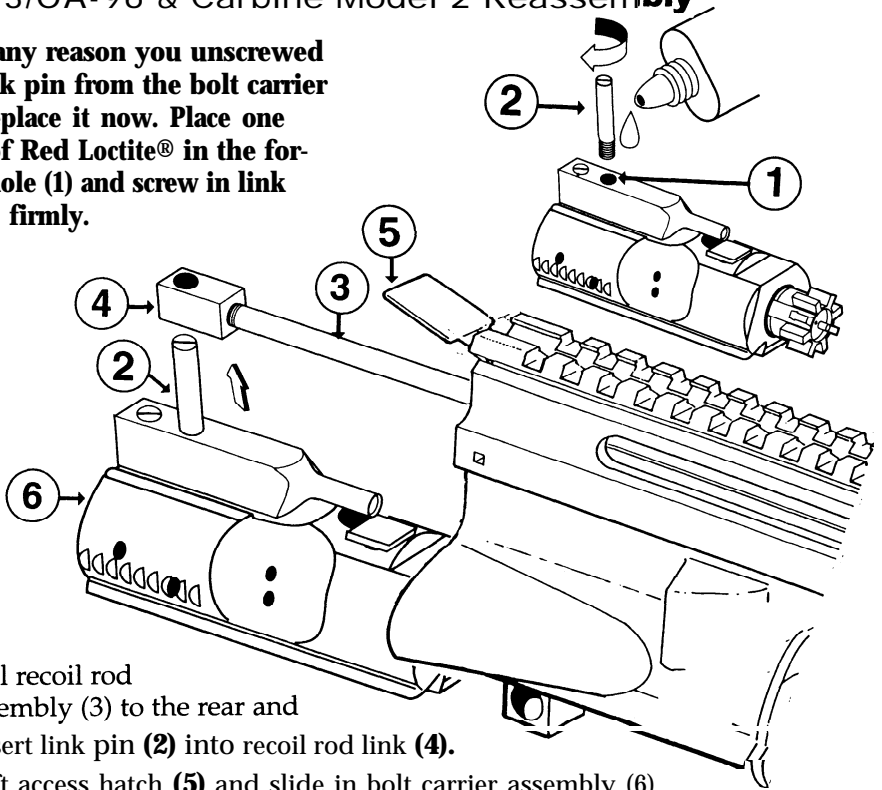
4. Slide charging screw (8) into
5. Re-attach sling if any.

GO TO PAGE 31

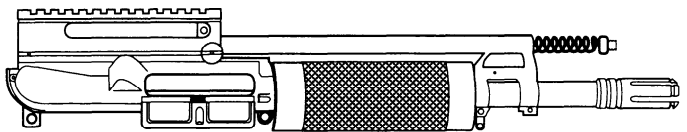
Maintenance Procedures

OA-93/OA-96 & Carbine Model 2 Reassembly

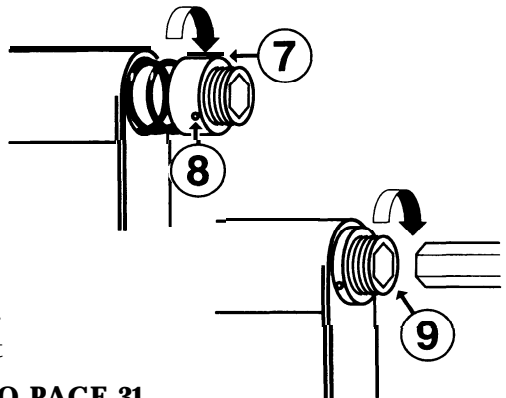
If for any reason you unscrewed the link pin from the bolt carrier key, replace it now. Place one drop of Red Loctite® in the forward hole (1) and screw in link pin (2) firmly.



1. Pull recoil rod assembly (3) to the rear and insert link pin (2) into recoil rod link (4).
2. Lift access hatch (5) and slide in bolt carrier assembly (6). (If assembly binds, try turning your OA-93/OA-96 upside down).



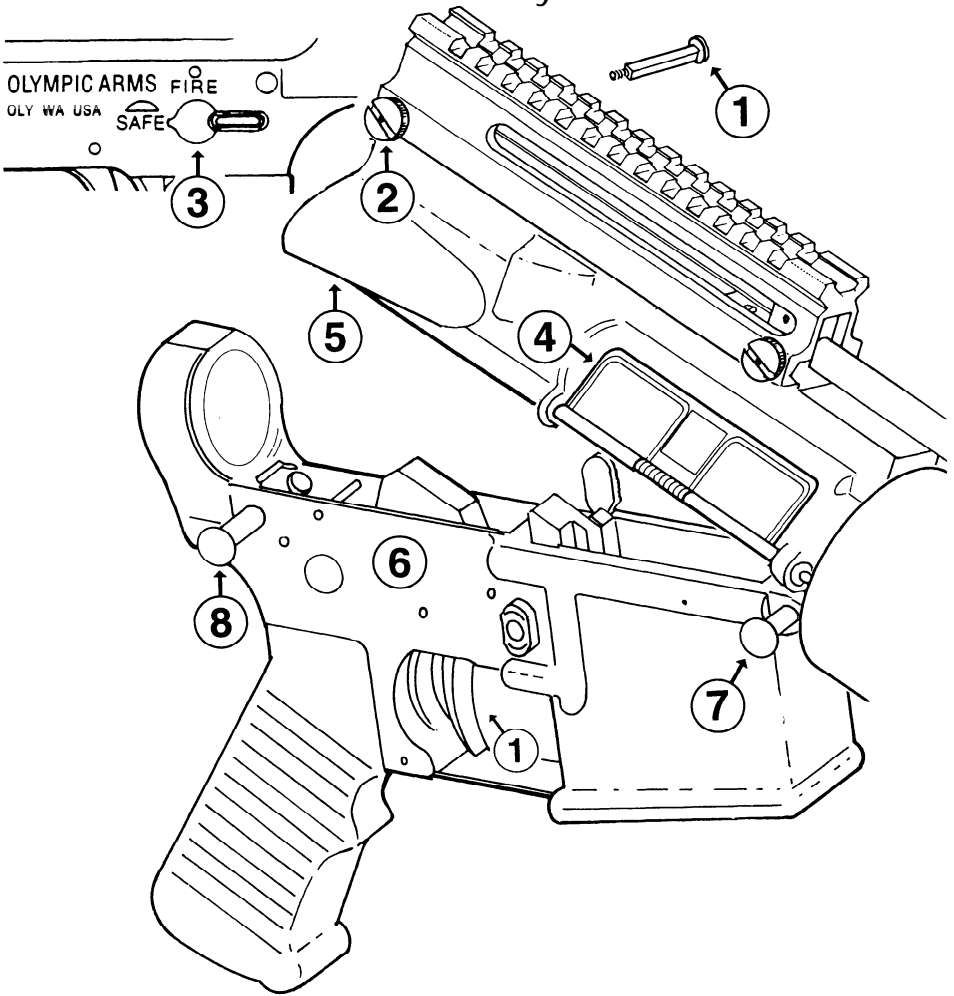
3. Use the recoil rod nut (7) to compress the spring into the recoil spring housing and screw it down. If you have difficulty gripping the nut, insert a small hex wrench into the takedown hole (8). **BE CAREFUL.** The recoil spring will shoot out the end of the housing if pressure is removed.
4. Tighten down the recoil rod set screw (9).



GO TO PAGE 31

Maintenance Procedures

OA-93/OA-96 Final Reassembly ALL MODELS



1. **OA-93/OA-96 Model 2 and OA-93 Carbine only:** Insert rear scope mount screw (1) and tighten down scope mount nut (2) with large standard screw-driver.
2. Move selector lever (3) to SAFE, and close ejection port cover (4) before closing upper receiver.

***OA-96: Close upper receiver on lower receiver.**

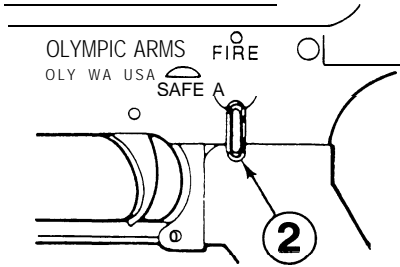
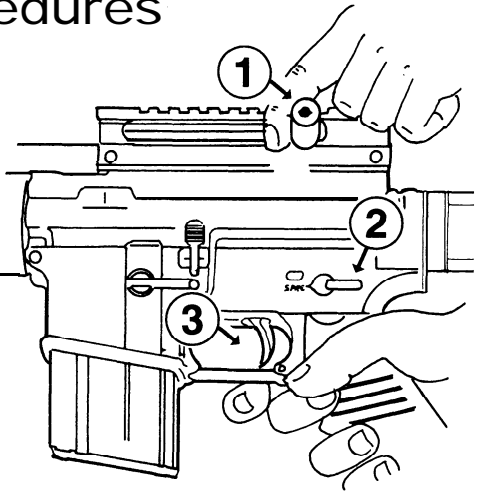
3. OA-93 All Models: Join upper receiver (5) and lower receiver (6). Align the pivot pin holes and push pivot pin (7) in.
4. Close upper receiver and lower receiver. Push in takedown pin (8).

Maintenance Procedures

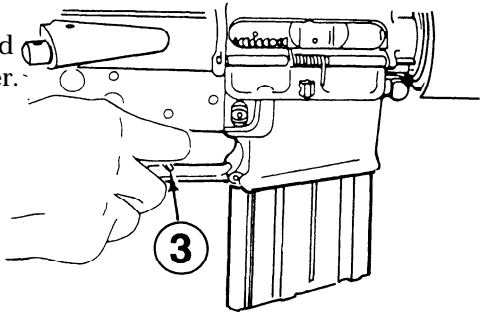
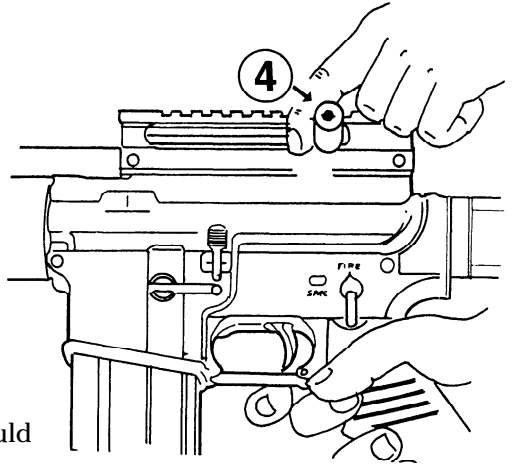
Function Check

WARNING: To avoid accidental firing, be sure cartridge magazine is removed and chamber is clear.

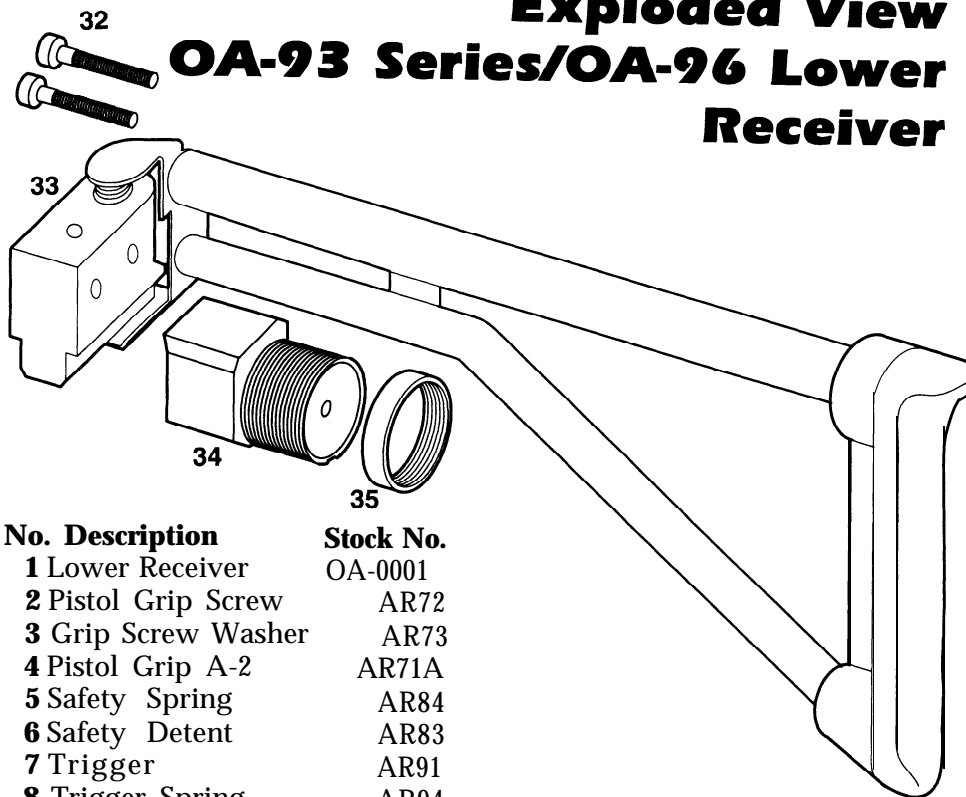
1. Pull charging screw (1) to rear and release. Place selector lever (2) on SAFE. Squeeze trigger (3). Hammer should not fall.



2. Place selector lever (2) on FIRE. Squeeze trigger (3). Hammer should fall. **Hold trigger to the rear.** Pull charging screw (4) to rear and release. Release trigger (3). You should hear a click as you release the trigger. Squeeze again; hammer should fall.



Exploded View OA-93 Series/OA-96 Lower Receiver



No.	Description	Stock No.
1	Lower Receiver	OA-0001
2	Pistol Grip Screw	AR72
3	Grip Screw Washer	AR73
4	Pistol Grip A-2	AR71A
5	Safety Spring	AR84
6	Safety Detent	AR83
7	Trigger	AR91
8	Trigger Spring	AR94
9	Trigger Pin	AR64
10	Hammer Pin	AR64
11	Trigger Guard	AR92
12	Trigger Guard Roll Pin	AR93
13	Disconnecter	AR26
14	Disconnecter Spring	AR27
15	Takedown Pin	AR88
16	Takedown Pin Detent	AR89
17	Takedown Pin Detent Spring	AR90
†18	Magazine Catch Button	AR70
†19	Magazine Catch Spring	AR69
†20	Magazine Catch	AR68
21	Bolt Catch	AR7
22	Bolt Catch Plunger	AR8
23	Bolt Catch Roll Pin	AR9
24	Bolt Catch Spring	AR10
25	Safety Selector	AR82

#	Description	Stock No.
26	Hammer	AR63
27	Hammer Spring	AR65
‡28	Takedown Pin, Rear	AR88
‡29	Takedown Pin Detent, Rear	AR89
‡30	Takedown Pin Detent Spring	AR90
‡31	5x40 Set Screw	OA-0002
†32	Folding Stock Bolts	OA-0030
†33	Folding Stock	OA-0031
†34	Folding Stock Spacer	OA-0032
†35	Locking Ring	OA-0033

† Parts exclusive to OA-93
Carbine only

‡ Parts exclusive to OA-93 pistol only
(not applicable to OA-96)

