

INSTRUCTION MANUAL FOR

BLUED &
STAINLESS
STEEL



CALIBERS
.17 HMR, .22 Long Rifle
& .22 Magnum

RUGER®

MODEL 10/22® & MODEL 10/17™ AUTOLOADING RIFLES



10/22 Rifle



10/22 Compact Rifle



10/22 Carbine



10/17 Rifle



**READ THE INSTRUCTIONS AND
WARNINGS IN THIS MANUAL CAREFULLY
BEFORE USING THIS FIREARM**

**For Product Service on This Model Please Call:
(603) 865-2442 (See p. 32)**

**STURM, RUGER & Company, Inc.
Southport, Connecticut 06890 U.S.A.**

THIS INSTRUCTION MANUAL SHOULD ALWAYS ACCOMPANY THIS FIREARM AND BE
TRANSFERRED WITH IT UPON CHANGE OF OWNERSHIP, OR WHEN THE FIREARM IS LOANED OR
PRESENTED TO ANOTHER PERSON.

State-By-State Warnings

Certain states require by law that their own specified warning notices in larger-than-normal type be conspicuously included by the manufacturer, distributor, or retail dealer with firearms sold in that state. Sturm, Ruger sells its products in compliance with applicable laws and regulations. Because our products may be sold in these states, we include the following:

California:

⚠ WARNING

“Children are attracted to and can operate firearms that can cause severe injuries or death. Prevent child access by always keeping guns locked away and unloaded when not in use. If you keep a loaded firearm where a child obtains and improperly uses it, you may be fined or sent to prison.”

⚠ ADVERTENCIA

“A los niños los atraen las armas de fuego y las pueden hacer funcionar. Ellos pueden causarse lesiones graves y la muerte. Evite que los niños tengan acceso a las armas de fuego guardándolas siempre con llave y descargadas cuando no las esté utilizando. Si usted tiene un arma de fuego cargada en un lugar en que un niño tiene acceso a ella y la usa indebidamente, le pueden dar una multa o enviarlo a la cárcel.”

Connecticut:

“UNLAWFUL STORAGE OF A LOADED FIREARM MAY RESULT IN IMPRISONMENT OR FINE.”

Florida:

“IT IS UNLAWFUL, AND PUNISHABLE BY IMPRISONMENT AND FINE, FOR ANY ADULT TO STORE OR LEAVE A FIREARM IN ANY PLACE WITHIN THE REACH OR EASY ACCESS OF A MINOR UNDER 18 YEARS OF AGE OR TO KNOWINGLY SELL OR OTHERWISE TRANSFER OWNERSHIP OR POSSESSION OF A FIREARM TO A MINOR OR A PERSON OF UNSOUND MIND.”

Maine:

“ENDANGERING THE WELFARE OF A CHILD IS A CRIME. IF YOU LEAVE A FIREARM AND AMMUNITION WITHIN EASY ACCESS OF A CHILD, YOU MAY BE SUBJECT TO FINE, IMPRISONMENT OR BOTH. KEEP FIREARMS AND AMMUNITION SEPARATE. KEEP FIREARMS AND AMMUNITION LOCKED UP. USE TRIGGER LOCKS.”

Maryland:

“WARNING: Children can operate firearms which may cause death or serious injury. It is a crime to store or leave a loaded firearm in any location where an individual knew or should have known that an unsupervised minor would gain access to the firearm. Store your firearm responsibly!”

Massachusetts:

“WARNING FROM THE MASSACHUSETTS ATTORNEY GENERAL: This handgun is not equipped with a device that fully blocks use by unauthorized users. More than 200,000 firearms like this one are stolen from their owners every year in the United States. In addition, there are more than a thousand suicides each year by younger children and teenagers who get access to firearms. Hundreds more die from accidental discharge. It is likely that many more children sustain serious wounds, or inflict such wounds accidentally on others. In order to limit the chance of such misuse, it is imperative that you keep this weapon locked in a secure place and take other steps necessary to limit the possibility of theft or accident. Failure to take reasonable preventive steps may result in innocent lives being lost, and in some circumstances may result in your liability for these deaths.”

“IT IS UNLAWFUL TO STORE OR KEEP A FIREARM, RIFLE, SHOTGUN OR MACHINE GUN IN ANY PLACE UNLESS THAT WEAPON IS EQUIPPED WITH A TAMPER-RESISTANT SAFETY DEVICE OR IS STORED OR KEPT IN A SECURELY LOCKED CONTAINER.”

New Jersey:

“IT IS A CRIMINAL OFFENSE TO LEAVE A LOADED FIREARM WITHIN EASY ACCESS OF A MINOR.”

New York City:

“THE USE OF A LOCKING DEVICE OR SAFETY LOCK IS ONLY ONE ASPECT OF RESPONSIBLE FIREARMS STORAGE. FOR INCREASED SAFETY, FIREARMS SHOULD BE STORED UNLOADED AND LOCKED IN A LOCATION THAT IS BOTH SEPARATE FROM THEIR AMMUNITION AND INACCESSIBLE TO CHILDREN AND OTHER UNAUTHORIZED PERSONS.”

North Carolina:

“IT IS UNLAWFUL TO STORE OR LEAVE A FIREARM THAT CAN BE DISCHARGED IN A MANNER THAT A REASONABLE PERSON SHOULD KNOW IS ACCESSIBLE TO A MINOR.”

Texas:

“IT IS UNLAWFUL TO STORE, TRANSPORT, OR ABANDON AN UNSECURED FIREARM IN A PLACE WHERE CHILDREN ARE LIKELY TO BE AND CAN OBTAIN ACCESS TO THE FIREARM.”

Wisconsin:

“IF YOU LEAVE A LOADED FIREARM WITHIN THE REACH OR EASY ACCESS OF A CHILD YOU MAY BE FINED OR IMPRISONED OR BOTH IF THE CHILD IMPROPERLY DISCHARGES, POSSESSES, OR EXHIBITS THE FIREARM.”

* * * * *

Please check with your licensed retailer or state police for additional warnings which may be required by local law or regulation. Such regulations change constantly, and local authorities are in the best position to advise you on such legal matters.

LOCKING DEVICE INSTALLATION INSTRUCTIONS



WARNING – USE OF LOCKING DEVICES



- Always keep your firearm pointed in a safe direction, including when you are installing or removing your locking device.
- Always verify that your firearm is completely **unloaded** before installing your locking device.
- Do **not** install locking devices in the trigger guard; always keep your fingers and locking device outside the trigger guard during device installation and removal.
- Store firearms, ammunition and keys separately and securely, away from children and careless adults; do **not** store your firearm with the keys in the locking device.
- Do not attempt to work the action of your firearm with the locking device in place; this may damage your firearm.
- While locking devices are an important aid to security measures, they are not a substitute for safe firearm handling and proper storage. Remember that any mechanical device can be bypassed with enough time, knowledge, determination and equipment.

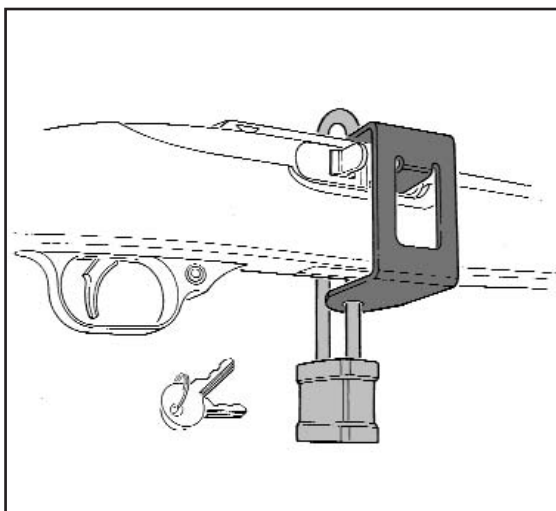
**LOCKING DEVICES MUST BE USED
SAFELY AND RESPONSIBLY**

Use the Correct Lock: While the basic locking device is substantially similar for all Ruger firearms, due to the different shapes of the many Ruger firearms, some firearms utilize different locking devices. The 3 1/2" lock and clamp are for use with **RUGER® MODEL 10/22® & 10/17™** Rifles. **It is very important to use the correct locking device!**

To Install the Factory-Supplied Locking Device:

1. **Keep the muzzle pointed in a safe direction and your fingers outside the trigger guard at all times!**
2. **Be sure the firearm and its magazine are completely unloaded and contain no cartridges or cartridge cases! Remove the magazine from your firearm.**

3. Open the action completely. Use the bolt lock to keep the action open during installation of the locking device.
4. Apply the clamp as shown below.
5. Apply the lock by placing the shackle of the lock into your Ruger Model 10/22® or 10/17™ Rifle as shown below.
6. Close the lock by pressing the shackle into the body of the lock (the part that receives the key) as tightly together as possible. The lock has bumpers and the shackle is coated with a non-marring material that will not harm the metal finish of your firearm; be careful not to dent or scratch wooden stocks.
7. Once the lock is securely closed, remove the key and pull firmly on the lock to test the connection and be sure it is locked. **Do not leave or store your firearm with the key in the lock!** Store your locked unloaded firearm and the key in secure, separate locations, away from ammunition, children, or unauthorized adults.



*Correct Installation of Lock
For Ruger 10/22 & 10/17™ Rifles Only*

FIREARMS SAFETY-YOUR RESPONSIBILITY
SAFETY MUST BE THE FIRST AND CONSTANT CONSIDERATION OF EVERY PERSON WHO HANDLES FIREARMS AND AMMUNITION.

This Instruction Manual is designed to assist you in learning how to use and care for your **RUGER® MODEL 10/22® and 10/17™** rifles properly. Please contact us if you have any questions about it.

Only when you are certain you fully understand the Manual and can properly carry out its instructions should you practice loading, etc. with live ammunition. If you have any doubts about your ability to handle or use a particular type of gun safely, then you should seek supervised instruction. Such personalized instruction is often available from gun dealers, gun clubs or police departments. If none of these sources can help you, write to the National Rifle Association, 11250 Waples Mill Road, Fairfax, VA 22030-7400. They will assist you.

The person possessing a gun has a full-time job. You cannot guess; you cannot forget. You must know how to use your firearm safely. **Do not use any firearm without having a complete understanding of its particular characteristics and safe use.**

Remember: There is no such thing as a foolproof gun.

TABLE OF CONTENTS

| | Page |
|--|----------------|
| State-By-State Warnings | 2 |
| Locking Device Installation Instructions | 5 |
| General Information | 8 |
| Operation of Safety | 11 |
| The Bolt Lock | 12 |
| Ammunition | 13 |
| Special Safety Note - 10/22 Target Rifle Only | 15 |
| Magazine | 16 |
| Loading the Magazine | 16 |
| To Load and Fire (With Magazine) | 17 |
| To Load and Fire (Without Magazine) | 19 |
| To Unload | 19 |
| To Extract and Eject a Chambered Cartridge | 21 |
| To Clear a Malfunction ("Jam") | 21 |
| To Minimize Malfunctions ("Jams") | 22 |
| To Disassemble | 24 |
| Reassembly | 25 |
| Magazine Inspection and Care | 25 |
| Care and Cleaning | 26 |
| Storage | 27 |
| Maintenance of Stainless Steel Rifles | 29 |
| Attaching Scope Base Adapter | 30 |
| Sight Adjustment | 31 |
| Service and Parts Policy | 32 |
| Shipping Firearms for Repair | 32 |
| Ordering Parts | 33 |
| Parts List | 34 - 40 |
| Parts Drawing | 41 - 46 |
| The Basic Rules of Safe Firearms Handling | 47 - 50 |
| Warranty Information | 52 |

"RUGER" and "10/22" are registered U.S. trademarks.



WARNINGS OF GREAT IMPORTANCE ARE FOUND ON THE FOLLOWING PAGES:

| | | | |
|----------------------|----|------------------|----|
| Locking Devices | 5 | Handling | 18 |
| Alterations | 8 | Unloading | 19 |
| Manual Safety | 12 | Malfunctions | 23 |
| Lead Exposure | 13 | Disassembly | 23 |
| Ammunition | 13 | Lubrication | 27 |
| 22 Magnum Ammunition | 14 | Storage | 28 |
| “Stinger” Ammunition | 15 | Shipping | 32 |
| Target Trigger | 15 | Parts Purchasers | 33 |
| Firing | 18 | | |

OTHER CAUTIONS AND WARNINGS APPEAR THROUGHOUT THE MANUAL.

**FIREARMS ARE DANGEROUS WEAPONS –
READ THE INSTRUCTIONS AND WARNINGS IN THIS
MANUAL THOROUGHLY AND CAREFULLY BEFORE USING.**



WARNING–ALTERATIONS



This product was designed to function properly in its original condition. Alterations can make it unsafe. Do not alter any part or add or substitute parts or accessories not made by Sturm, Ruger & Co. Inc.

DO NOT ALTER ANY GUN

GENERAL INFORMATION AND MECHANICAL CHARACTERISTICS

The **RUGER® MODEL 10/22® and 10/17™** rifles are autoloading, recoil operated rifles.

Retracting the bolt handle cocks the internal hammer and compresses the recoil spring. When the bolt is manually released, it moves forward (driven by the recoil spring), strips a cartridge from the magazine, if a loaded magazine is in place, and chambers the cartridge. The bolt is held against the chambered cartridge by the recoil spring.

When the trigger is pulled, the hammer is released and strikes the firing pin. The firing pin indents the cartridge case rim and ignites the priming compound inside the rim. This ignites the powder in the cartridge case and a great volume of gas is instantly generated, which acts on the interior of the cartridge case in all directions.

Because the bullet offers the least resistance, it moves out of the cartridge case and exits the muzzle. The bolt then moves rearward automatically, extracting and ejecting the fired cartridge case, and at the same time cocking the hammer and compressing the recoil spring, etc., as described above. Once the trigger is released, the rifle is ready to fire again.

Each time the trigger is pulled and released, the same cycle is repeated until there are no more cartridges in the magazine or in the chamber.

The rifle will fire if there is a cartridge in the chamber and the trigger is pulled, whether or not there is a magazine in place! Removing the magazine does not unload the rifle. Never assume the rifle is unloaded. Visually inspect the chamber and the magazine each time the rifle is handled to be certain there are no cartridges in either.

The **10/22 Carbine** is identified by its curved carbine-style butt plate and barrel band. The **Deluxe Sporter Model** has a flat recoil pad, cut checkered stock, and no barrel band. The **Target Model** has a heavyweight, hammer forged barrel, laminated target style stock, and a special target trigger (see p. 15). The **All-Weather® Model** has a carbine style stock with barrel band and is checkered on the forearm, pistol grip and butt plate. The black composite stock is made of a thermoplastic polyester resin, reinforced with fiberglass for strength, durability, and resistance to the elements. These models use a ten-shot rotary magazine chambered for the 22 Long Rifle cartridge

The **10/22 MAGNUM** is chambered for the larger and more powerful 22 Winchester Magnum Rimfire (22 WMR) cartridge *only*. It uses a larger nine-shot magazine, first introduced in the Ruger 77/22 magnum rifle, to handle this longer cartridge. It uses a special longer chrome-molybdenum steel receiver, which also incorporates integral scope mount bases. Unlike the screw-on aluminum “tip-off” or Weaver-type scope mount base furnished with standard Ruger 10/22 rifles, the Ruger 10/22 Magnum features steel scope bases integral to the receiver, which accept the patented Ruger scope rings (furnished at no extra charge). The Ruger 10/22 Magnum bolt is manufactured from a dense tungsten alloy, in order to give the bolt adequate mass required to function correctly with the more powerful 22 Winchester Magnum Rimfire cartridge.

The **10/22 RIFLE** features a slimmer, hardwood stock, longer barrel, flat rifle butt plate, ramp front sight, and no barrel band. It uses the same ten-shot rotary magazine, chambered for the 22 Long Rifle cartridge, as the 10/22 Carbine models.

The **10/22 Compact Rifle** features a shorter barrel, shorter rifle-style, hardwood stock and forend, flat buttplate, and fiber optic front and rear sights. Chambered for the .22 Long Rifle Rimfire cartridge, the Compact Rifle uses the same ten-shot rotary magazine as the 10/22 Rifle and 10/22 Carbine.

The **10/17 Rifle** features a solid steel receiver and integral scope mount such as the 10/22 Magnum has. It has a slimmer, hardwood stock, 20 inch tapered barrel and a centerfire band-type rifle front sight. The 10/17 is chambered for the 17 Hornady Magnum Rimfire (17 HMR) cartridge and uses the same larger, nine-shot magazine as the 10/22 Magnum.

All models have the same basic operation mechanism and include the following features with which the gun user should be thoroughly familiar.

The **10/22 Rifles** and the **10/17 Rifle** have no barrel band.

NOMENCLATURE

(10/22 Carbine Model Shown)

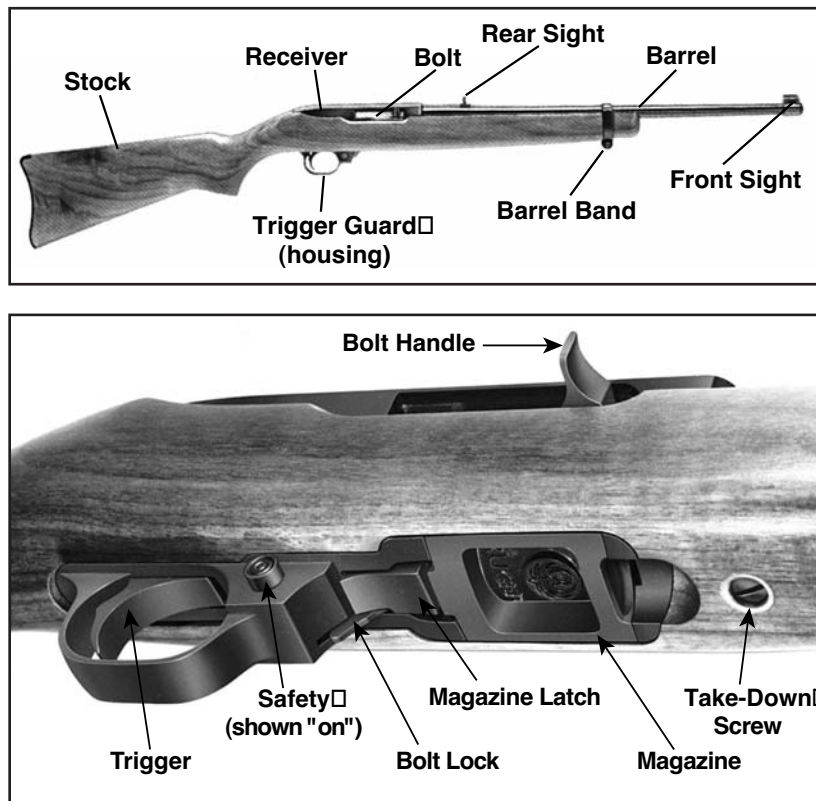


Figure 1. In these illustrations the frequently used operating components are identified. Note that the safety is protruding fully from the right side of the trigger guard and is therefore in its "on" (safe) position.

OPERATION OF SAFETY

The **RUGER® MODEL 10/22® and 10/17™** rifles and carbines have a cross-button safety which is located in the forward portion of the trigger guard (See Figure 1, p. 10.) The safety can be operated only when the hammer is cocked.

The safety is “on” when it protrudes fully from the right side (the bolt handle side) of the trigger guard assembly, as shown in Figure 1. In this position the sear is blocked, and the gun cannot be fired from a normal pull on the trigger.

The safety should always be in the “on” (safe) position except when the shooter is actually firing the gun. The safety should be moved to the “on” position whenever the shooter ceases firing, even temporarily.

The safety is “off” (fire) when it protrudes from the left side of the trigger guard assembly, as shown in Figure 2. When the safety is off, the red band shows on the safety button. Do not totally rely on the appearance of the red band to indicate that the safety is off. In poor light or if dirt is present, the red band may not be visible. **If the safety is “off” and the trigger is pulled, the rifle will fire.**

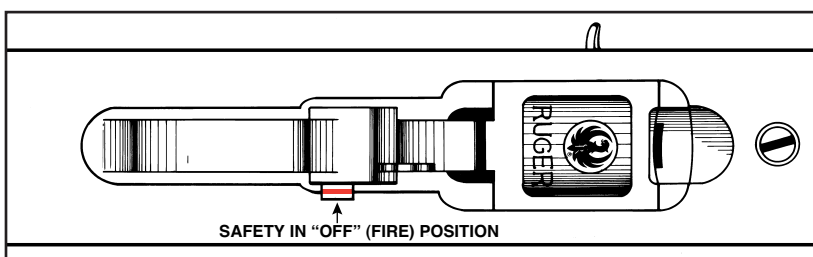
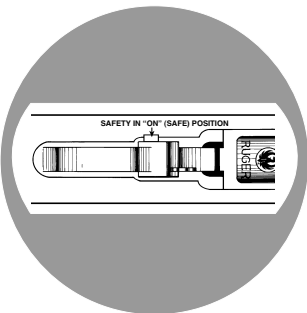


Figure 2. The underside of the trigger guard section of the rifle. In this illustration the safety is shown in the “off” (fire) position. The position of the safety and red band indicate the safety is “off.” **It should be in this position only when you are actually firing at a target.**

The safety is held in its “on” or “off” position by a plunger that is under spring tension. When the safety is moved to either the “on” or “off” position, a distinct “click” should be heard. Frequently check the position of the safety to be certain the safety has not been inadvertently moved. If the safety seems to move too easily, or if the click is not heard when the safety is moved, stop using the rifle and return it to the Newport Product Service Department for repair (see p. 32).



WARNING – MANUAL SAFETY



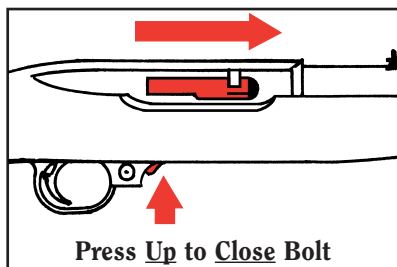
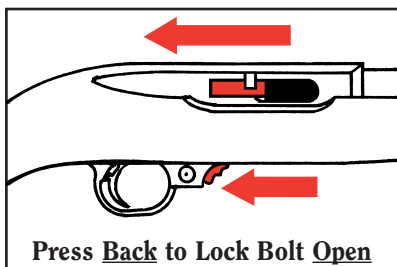
Keep the safety on unless actually firing. Always move the safety fully to its intended position and check it. The safety is not “ON” unless it is completely “ON”. Never depend on a safety mechanism or any other mechanical device to justify careless handling or permitting the rifle to point in an unsafe direction. The only “safe” rifle is one in which the bolt is open, the chamber is empty, and there is no magazine in the gun.

KNOW HOW TO USE THE SAFETY

THE BOLT LOCK

The bolt lock is located in the forward section of the trigger guard (see Figure 1, p. 10). The bolt lock is the manually operated means of retaining the bolt in the rearward (open) position. When the bolt is locked open, the rifle is in an inoperative safe condition for inspection of the chamber, cleaning, etc.



To lock the bolt open: Retract the bolt handle to its extreme rearward position and, while holding it there, press in on the lower section of the bolt lock. Release pressure on the bolt handle and it will move forward a fraction of an inch, and then be locked in its open position.



To release the bolt: Retract the bolt handle to its extreme rearward position and then press in on the upper section of the bolt lock. Release the bolt and it will move fully forward.

NOTE: Simply retracting the bolt will not disengage the lock. The bolt lock must be deliberately pressed up while the bolt is held fully to the rear. Only then will the bolt close when released. This is designed to prevent accidental release of the bolt from its open position.




AMMUNITION

| | |
|--|---|
|  WARNING – LEAD EXPOSURE | |
|  | Discharging firearms in poorly ventilated areas, cleaning firearms, or handling ammunition may result in exposure to lead and other substances known to the state of California to cause birth defects, reproductive harm, and other serious physical injury. Have adequate ventilation at all times. Wash hands thoroughly after exposure. |
| | SHOOTING OR CLEANING GUNS MAY EXPOSE YOU TO LEAD |

The **RUGER® 10/22® CARBINE and 10/22 Rifles** are chambered for, and designed to properly function with, only the 22 caliber Long Rifle rimfire cartridge, standard, high velocity, or hyper-velocity, manufactured to U.S. industry standards.




Do not use 22 short, 22 long, 22 shot, or 22 cartridges loaded with blunt-nosed, sharp-shouldered, or “explosive” bullets. They will not function reliably and may jam the mechanism or discharge before being fully chambered. Use only ammunition that functions correctly in your rifle. See “Warning – Malfunctions,” p. 23.


The **RUGER® 10/17™ Rifle** is chambered for the 17 Hornady Magnum Rimfire (17 HMR) cartridge *only*. Do not use any other rimfire ammunition in this rifle!

| | |
|--|---|
|  WARNING – AMMUNITION | |
|   | Death, serious injury, and damage can result from the use of wrong ammunition, bore obstructions, powder overloads, or incorrect cartridge components. 22 cases are very thin and sometimes split when fired. <u>Always</u> wear shooting glasses and hearing protection. |
| | IMPROPER AMMUNITION DESTROYS GUNS |

The **RUGER® MODEL 10/22® MAGNUM** is chambered for, and designed to properly function with, *only* the 22 Winchester Magnum Rimfire (22 WMR) cartridge, both jacketed and hollow point, manufactured to U.S. industry standards. Do not use any other 22 caliber ammunition in this rifle as burst cases and the release of hot powder gas can result. See “Warning – 22 Magnum Ammunition,” p. 14.



However, your choice of ammunition may affect the functioning of this firearm. Ammunition manufacturers use different powders, bullets and case specifications. If you find that you are experiencing feeding and extraction problems, switching to another type or brand of 22 WMR ammunition may improve the situation.

| | |
|--|---|
|  WARNING – 22 MAGNUM AMMUNITION | |
|  <p>.22 Long Rifle .22 Long .22 Short</p> | Use only standard Winchester Magnum Rimfire (22 WMR) ammunition loaded to U.S. Industry specifications. Do <i>not</i> fire 22 short, long, or long rifle cartridges in this rifle or load them into the magazine - they are of smaller case diameter and otherwise vary in size from the larger 22 WMR cartridge. They can split or burst when fired in the larger magnum chamber, releasing hot powder gases and particle fragments out of the action at high speed, possibly resulting in injury to the shooter or bystanders. |
|  <p>.22 WMR</p> | USE ONLY 22 WMR AMMUNITION IN 22 MAGNUM FIREARMS |

| | |
|--|---|
|  | WARNING: SOME TYPES OF 22 MAGNUM CARTRIDGES HAVE BLUNT-NOSE OR SHARP-SHOULDER BULLETS WHICH CAN INTERFERE WITH SMOOTH AND RELIABLE FEEDING FROM MAGAZINE TO CHAMBER. SUCH CARTRIDGES SHOULD NOT BE USED BECAUSE THEY MAY DISCHARGE BEFORE BEING FULLY CHAMBERED AND THEREBY POSSIBLY INJURE THE SHOOTER AND THOSE NEARBY. THE SHOOTER MUST BE ALERT TO THIS POTENTIALLY DANGEROUS SITUATION AND SHOULD AT ONCE DISCONTINUE THE USE OF ANY CARTRIDGE WHICH APPEARS TO BE THE CAUSE OF FEEDING PROBLEMS OR JAMMING. KEEP THE CHAMBER AND MAGAZINE CLEAN (SEE “CARE AND CLEANING”, P. 26). |
|--|---|

| |
|--|
| <p>AMMUNITION (CARTRIDGES) NOTICE</p> <p>WE SPECIFICALLY DISCLAIM RESPONSIBILITY FOR ANY DAMAGE OR INJURY WHATSOEVER OCCURRING IN CONNECTION WITH, OR AS A RESULT OF, THE USE IN ANY RUGER FIREARMS OF FAULTY, OR NON-STANDARD, OR “REMANUFACTURED” OR HAND-LOADED (RELOADED) AMMUNITION, OR OF CARTRIDGES OTHER THAN THOSE FOR WHICH THE FIREARM WAS ORIGINALLY CHAMBERED.</p> |
|--|

NOTE: The following warning applies to **RUGER® 10/22 Target** rifles *only*:

|  WARNING – “STINGER” AMMUNITION | |
|---|--|
|  <p>22 LR 22 "Stinger"</p> | <p>“Stinger” cartridges have a longer case than 22 LR cartridges loaded to U.S. Industry specifications. They can stick in the tighter chambers of target rifles, including the Ruger 10/22 Target Rifle, which can result in a hazardous ruptured case and release of hot powder gasses and brass when fired.</p> |
| <p>DO NOT USE “STINGER” AMMUNITION IN 10/22 TARGET RIFLES</p> | |

SPECIAL SAFETY NOTE 10/22 TARGET RIFLE ONLY

The special model you have selected is specifically designed for rapid fire precision target shooting. As such, it demands that you take extra safety precautions.

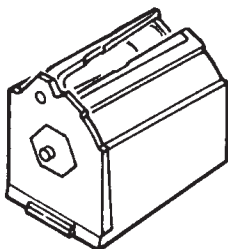
The trigger of the Target version of the **RUGER® 10/22®** has a lighter, target trigger pull than standard 10/22 rifles and carbines, for more precise placement of shots. You should practice “dry-firing” an empty rifle (with it pointing in a safe direction) to learn the “feel” of the trigger before ever loading it with ammunition.

|  WARNING – TARGET TRIGGER | |
|---|---|
|  | <p>10/22T Models have a target trigger that has been carefully set at the factory to a minimum safe weight of pull for precision target shooting. Do not alter any factory setting! You can create an unsafe condition and the rifle may fire unexpectedly.</p> |
|  | <p>You should be especially careful to keep the safety on at all times except when actually firing and keep your finger off the trigger unless you are squeezing it to fire, in order to minimize the possibility of accidental discharge.</p> |
| <p>DO NOT TAMPER WITH TRIGGER - KEEP SAFETY ON UNLESS FIRING</p> | |

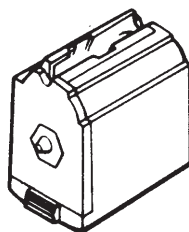
MAGAZINE

The 9-shot 22 WMR and 17 HMR magazine (JMX-1) for the Ruger Model 10/22 Magnum and Model 10/17 is longer than the 10-shot 22 long rifle magazine (BX-1) for Ruger 10/22 rifles. Do not attempt to use standard 10/22 magazines in the 10/22 Magnum or 17 HMR rifles or load 22 short, long, or long rifle ammunition into the 22 magnum or 17 HMR magazine. They will not function correctly and are unsafe to use in 22 Magnum and 17 HMR rifles.

Ruger Model 10/22 Magnum
& 17 HMR Magazine (JMX-1)



Ruger Model 10/22 Long Rifle
Magazine (BX-1)



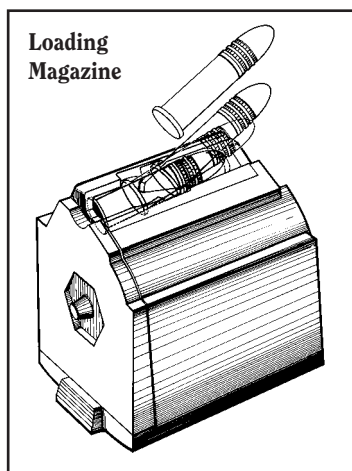
Do Not Use in Ruger 10/22 Magnum
or 10/17 Rifles

Never attempt to use 22 Long Rifle ammunition in Ruger 10/22 Magnum or 10/17 rifle magazines. The cartridges have a smaller case diameter and can split or burst when fired in the larger magnum chamber, releasing hot powder gasses and particle fragments out of the action at high speed, possibly resulting in injury to the shooter or bystanders.

LOADING THE MAGAZINE

To load the magazine, press the rim of the cartridge against the magazine rotor at the widest section of the magazine throat until the cartridge enters far enough to be pushed to the rear end of the magazine. Each succeeding cartridge is pressed against the body of the top cartridge and slid to the rear of the magazine until a maximum of ten (10) 22 LR cartridges (or nine 22 WMR or 17 HMR cartridges, depending upon the magazine being loaded) are in the magazine.

NOTE: The 9-shot Ruger 77/22 Magnum magazine (JMX-1) is the same as, and is interchangeable with, the 9-shot Ruger 10/22 Magnum and 17 HMR magazine.



TO LOAD AND FIRE (WITH MAGAZINE)

Practice this important aspect of gun handling (with an unloaded rifle) until you can perform each of the steps – described below – with skill and confidence. But before you do anything with the rifle, please first read completely through this manual.

1. **Keep the muzzle pointed in a safe direction. (See Rule 2, p. 47.)**
2. Pull the bolt handle rearward. Engage the bolt lock so that the bolt is held open. (See p. 12.) Check the chamber to be certain it is empty. Engage the safety. (See Figure 1, p. 10.)

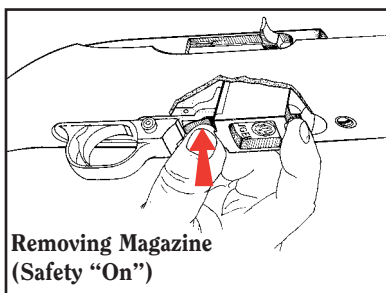

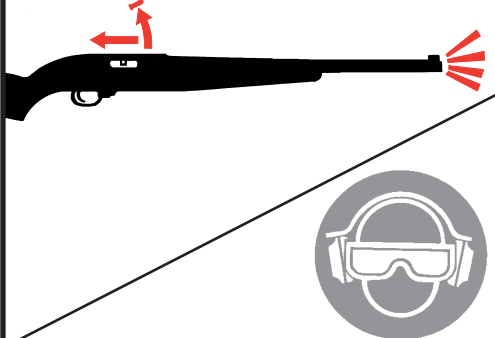



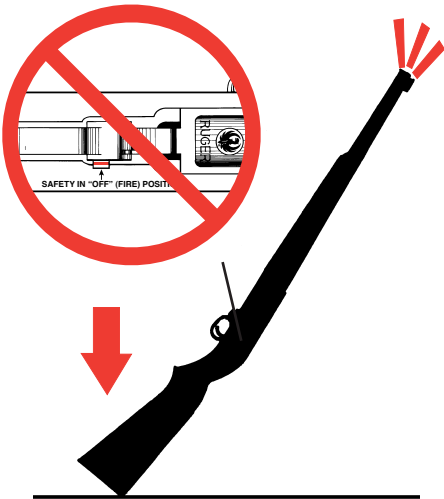
Figure 3. The safety should be “on” when the magazine is being removed or inserted. When the forward section of the magazine latch is pushed in (pivoted upward), the magazine is released. Depress the latch with the thumb and at the same time grasp the magazine between the thumb and forefinger and draw it out of the gun.

3. Remove the magazine by using thumb to depress magazine latch and at the same time grasp the magazine between thumb and forefinger of the same hand to draw it out of the magazine well. (See Figure 3.)
4. Load the magazine with the appropriate number of cartridges (see “Loading The Magazine” section, p. 16).
5. Insert magazine into the firearm, with bullet end of the cartridges toward the muzzle. (Magazine cannot be seated if reversed.)
6. Load a cartridge into the chamber by fully retracting the bolt handle, releasing the bolt lock, and then releasing the bolt handle. **Don’t touch the trigger.** Do not ‘ride’ the bolt handle as it moves forward. Do not apply force to the bolt handle to chamber a cartridge. If a cartridge does not readily chamber, eject it from the rifle, lock the bolt open, remove the magazine and see “Warning – Malfunctions”, p. 23.
7. The rifle is now fully loaded. **If the rifle is not to be fired immediately, the safety should remain “ON”.** (See Figure 1, p. 10.) When the safety is moved to the “off” position, the rifle will fire each time the trigger is pulled until all the cartridges in the magazine, and the one in the chamber, have been fired. Firing will automatically reload and recock the rifle. **Note that every time the trigger is pulled, if a cartridge is in the chamber, the rifle will fire – be careful!**
8. **Immediately following the firing of a shot, and if a subsequent shot is not to be fired at once, put the safety “ON” while the rifle is still pointing in a safe direction down range.** The safety should be moved to the “on” position as soon as firing is completed, and it should be “on” at all times except when the rifle is on target and being fired.

9. The bolt does not remain open after the last shot has been fired, nor does the bolt automatically lock open when the magazine is empty. When firing is completed, manually retract the bolt, lock it open, and visually check the chamber to be sure it is empty. **If the bolt is shut, the shooter should always assume that there is a cartridge in the chamber. Don't rely on your memory to know if a gun or magazine is loaded. Visually inspect the magazine and the chamber.**


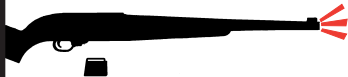
|  WARNING – FIRING | |
|---|--|
|  | <p>The bolt automatically opens and shuts quickly while firing. Keep face and hands away from it. Hot brass and powder gas are ejected quickly and can burn you. The rifle should be fired from the right shoulder. Always wear shooting glasses and hearing protection.</p> |
| BOLT OPENS FAST – HOT BRASS EJECTED | |

NOTE: For the 10/22 Magnum rifles, to avoid possibly dangerous malfunctions, never fire more than 50 shots without scrupulously cleaning the chamber. See “Care and Cleaning,” pp. 26 - 27.

|  WARNING – HANDLING | |
|---|--|
|  | <p>If dropped or struck with the safety “off”, the rifle may fire. Keep chamber empty unless actually firing! Keep safety “on” unless actually firing!</p> |
| ANY GUN MAY FIRE IF DROPPED | |

TO LOAD AND FIRE (WITHOUT MAGAZINE)

The rifle can be used as a single shot rifle in the absence of a magazine or for safety or training purposes. To do so, follow step 1, p. 17. Then load a cartridge into the chamber, and follow steps 6 and 7, p. 17, disregarding the magazine. Engage the safety between shots.

| | |
|--|---|
|  WARNING – UNLOADING | |
|  | So that the rifle can be used as a single loader, it will fire whether or not a magazine is in the gun if a cartridge is chambered. Removing magazine does not unload rifle! To unload, first remove magazine, then pull bolt to rear, eject chambered cartridge, and visually inspect chamber. The safety should always be in the “on” (safe) position when loading or unloading the rifle. Keep safety “on”. |
| | GUN WILL FIRE WITH MAGAZINE OUT |

TO UNLOAD

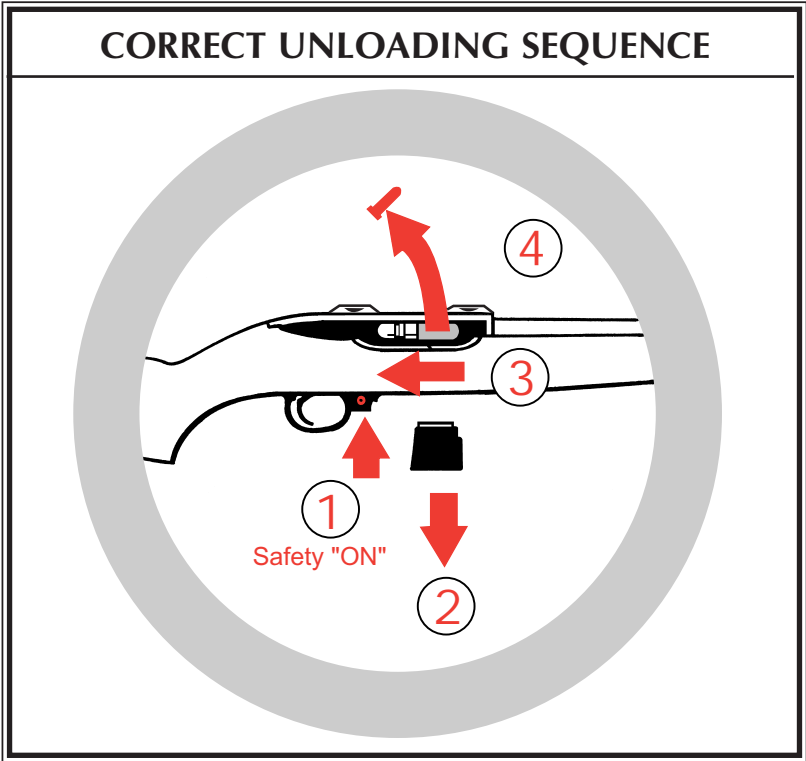
(Rifle Must Be Kept Pointed In A Safe Direction)

UNLOAD THE RIFLE IMMEDIATELY WHEN YOU ARE FINISHED SHOOTING!

NOTE: This sequence must be followed exactly as spelled out. Failure to do so can result in the rifle’s chamber becoming unintentionally loaded with a cartridge!

1. Keep the muzzle pointed in a safe direction at all times and keep fingers outside the trigger guard. If the rifle is cocked, **move the safety to the “on” position.**
2. Remove the magazine. **Remember that even though the magazine has been removed, a cartridge remaining in the chamber can still be fired!**
3. Retract the bolt to its open position and lock it there. This should eject any cartridge in the chamber, but...
4. **Always visually double check the chamber to be certain it is empty.**
5. The only “safe” rifle is one in which the bolt is open and the chamber and magazine are empty.
6. Cartridges can be removed from the magazine by simply pushing them lightly downward and forward with the thumb, forefinger, or the rubber eraser end of a pencil against the rim of the top cartridge. **Do not use a loaded cartridge as a ‘tool’ to strip cartridges from the magazine.**

7. If desired, the bolt can be left in the open position, being held there by the bolt lock. If it is desired to close the bolt, again look to be certain the chamber is empty. Put the safety "on", retract the bolt to its rearmost position, release the bolt lock and let the bolt snap forward. Keep your fingers out of the receiver!
8. **With the muzzle pointed in a safe direction**, push the safety to the "off" position and pull the trigger to decock it. The rifle can be "dry fired" for practice as long as it is empty and pointed in a safe direction.
9. Push empty (unloaded) magazine into the rifle until the catch locks it in place.



TO EXTRACT AND EJECT A CHAMBERED CARTRIDGE

When the rifle is fired, the same gas pressure which drives the bullet forward also acts through the cartridge case to push the bolt to the rear. That action causes extraction and ejection of the fired cartridge case. But, when the bolt is operated by hand, there can be a failure to extract the cartridge from the chamber, or a failure to eject the cartridge clear of the rifle. These failures usually are the result of the bolt not being pulled rearward vigorously, coupled with an accumulation of bullet lubricant in the chamber. From the foregoing it is clear that the gun user must:

1. **Always visually check the chamber after opening the bolt to eject a chambered cartridge.** If the bolt is not vigorously retracted when being operated by hand, the extracted cartridge can be 'ejected' into the magazine area, instead of outside the rifle.
2. Thoroughly clean the chamber and the extractor as often as necessary to prevent the accumulation of grease and dirt.
3. If an empty magazine is in the rifle when the bolt is being hand retracted to extract a cartridge, the cartridge may drop on top of the magazine. Then when the bolt goes forward, the cartridge will be chambered again! **Always remove the magazine before clearing the chamber, and visually ensure that no cartridges remain in the gun.**

TO CLEAR A MALFUNCTION ("JAM")

Any autoloading firearm may occasionally malfunction. If it does:

1. **Be certain the muzzle is pointed in a safe direction and the safety is "on."**
2. If possible, first remove the magazine. It may be necessary to manually remove a jammed cartridge which has only partially been stripped from the magazine.

If so, use extreme care. Lock the bolt open with the bolt stop before attempting to clear the jam. Drawing the bolt fully to the rear may bring the jammed cartridge along. **Keep your face away from the ejection port during this operation.** When attempting to clear a jam, use only wood 'tools' so that a cartridge will not be ignited if you strike a primer, and so that the chamber and magazine will not be damaged. A 3/16" wood dowel rod with a point on one end is useful.

3. Visually check to make sure all cartridges have been removed from the rifle. Safely dispose of any cartridges involved in a malfunction incident. Do not use damaged ammunition in any firearm.

TO MINIMIZE MALFUNCTIONS (“JAMS”)

Most malfunctions are caused by improper or damaged magazines, incorrect ammunition, or poor maintenance. **RUGER® MODEL 10/22® MAGNUM & 10/17™ chambers must be scrupulously cleaned at least every 50 shots. (See “Care and Cleaning,” pp. 26 - 27.)**

1. If it appears that the gun and magazine are not at fault and that the jam was caused by the type of cartridge being used, then try another type.
2. If changing to another type or brand of cartridges does not at once eliminate malfunctioning, then the following steps should be taken:
 - a. **Make certain the gun and the magazine are unloaded and that the safety is “on.” Remember, the magazine should be removed first, then check the chamber and be certain it and the magazine-well are clear of cartridges.**
 - b. Thoroughly clean the magazine (See “Magazine Inspection and Care,” pp. 25 & 26) and bolt mechanism, paying particular attention to removing accumulated grease. Use a bristle brush and solvent to remove grease and fouling from the bolt face, the extractor, the chamber, and the feed ramp. (See the “Care and Cleaning” section of this manual for detailed cleaning instructions.)
 - c. Check to see that the magazine rotor spring tension is adequate.
 - d. Check the magazine throat to be certain they are free of nicks and burrs and are not deformed.
 - e. Remove excess oil and solvent from all cleaned components, load the magazine, and try the firearm again. As always, proceed slowly. **Be certain bystanders are not close and that you are wearing eye and hearing protection and that your face is a safe distance from the rifle so that any discharge resulting from a jammed cartridge will not injure anyone.**

If the above procedures do not result in a smooth and reliably functioning firearm, don't use the gun. The rifle can be returned directly to our Newport, New Hampshire Product Service Department for repair. See the Service and Parts Policy section (p. 32) of this manual for packing and shipping information.

Another precaution: When using any firearm chambered for rimfire cartridges, form the habit of examining fired cartridge cases. If they have bulged heads or frequently show splits on any part of the case, the rifle or pistol should be returned to the factory for inspection.



WARNING – MALFUNCTIONS



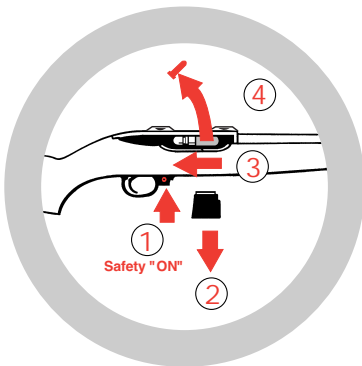
The .22 Long Rifle, .22 Magnum and .17 HMR rimfire cartridges fire when the firing pin impacts the relatively soft cartridge case rim, and also can be “discharged” before it is chambered if its rim receives a sharp blow. If a cartridge hangs up, jams, or binds when being chambered or when being fed from the magazine into the chamber, **do not attempt to force it into the chamber by pushing or striking the bolt.** Any jam or feeding problem is a signal to immediately stop using the gun until it can be determined what is wrong. Most failures of a cartridge to feed or to chamber are caused by a damaged magazine, improper gun handling, poor maintenance, improper or defective ammunition. Whatever the cause, rimfire cartridge jams can result in the potentially dangerous situation of a cartridge discharging before it is chambered. If this occurs, the cartridge case will rupture and its fragments will fly out of the gun with sufficient force to cause injury. Always wear shooting glasses and hearing protectors! Keep face away from chamber!



CRUSHING RIM CAN BURST AMMO



WARNING – DISASSEMBLY



Always unload a firearm before cleaning, lubrication, disassembly or assembly.

**UNLOAD BEFORE
CLEANING**

TO DISASSEMBLE

Make Sure Rifle is Unloaded!

1. With the rifle pointing in a safe direction, remove the magazine, open the bolt and visually make certain there is not a cartridge in the chamber. Then allow the bolt to close. The rear sight leaf should be down, and the hammer should be cocked.
2. Loosen the barrel band screw (B-69) and remove the barrel band (B-68). (Does not apply to the Sporter Model, Rifle Model, and the 10/17.)
3. Loosen (don't remove) the take-down screw (B-65).
4. Position the safety so an equal amount of the button is exposed on each side. If the safety is not in the middle when the barrel-receiver assembly is lifted out of the stock, the stock will be damaged.
5. Swing the barrel-receiver assembly upward away from the forearm of the stock. Be careful the two receiver cross pins (B-5) and bolt stop pin (B-46) do not fall out.
6. Remove the trigger guard by simply drifting out the two receiver pins. It is recommended that the components of the trigger guard assembly not be disassembled from the trigger guard.

This is the extent of disassembly required for routine inspection, cleaning and lubrication.

If it is desired to thoroughly clean the inside of the receiver by removing the bolt, be aware that although removing and installing the bolt (along with the bolt handle-recoil spring assembly) is simple, it must be done correctly.

7. To remove the bolt:

- a. Position the rifle upside down so the bolt is fully accessible.
- b. Drift out the bolt stop pin, located at the rear of the receiver.
- c. Pull the bolt handle fully to the rear of the receiver with the left hand, and while it is in that position, using the right hand, lift up the front of the bolt until it is disengaged from the bolt handle.
- d. Remove the bolt handle assembly through the ejection port.
- e. Lift bolt out of receiver. If it does not come out readily, turn the rifle over and the bolt will drop out of the receiver.

REASSEMBLY

Again, Be Sure Rifle is Unloaded!

1. Reassembly of bolt into receiver:

- a. To reassemble bolt handle and bolt in the receiver, position the rear end (cone pointed) of the recoil spring guide rod in the mating recess near the rear right side of the receiver. The recoil spring must be flat against the side and “bottom” of the receiver.
- b. Maintain the guide rod in its proper position by keeping pressure on the bolt handle with the left forefinger and thumb. At the same time, use the flat side of the screwdriver blade to compress the recoil spring by drawing it against that area of the bolt handle near to the spring. In accomplishing this spring compression it is necessary to maintain the same pressure on the screwdriver with the right hand as that being maintained (rearward and inward) on the bolt handle with the left hand.
- c. When the spring is fully compressed, maintain it in that position with the left hand and with the right hand lay the recessed section of the top of the bolt on the section of the bolt handle that mates with it. Press down on the bolt until a ‘click’ is heard. At this point allow the bolt handle (with bolt attached) to move forward slowly.
- d. Cycle the bolt handle a few times to be certain the components are correctly assembled.

2. Reassembly of rifle:

- a. Install the bolt stop pin and then lay the trigger guard in place and install the two receiver pins.
- b. Assemble the barrel-receiver to the stock by following, in reverse order, steps 1 through 5 under the “Disassembly” instructions on page 24.

Guns should not be stored loaded or cocked!

MAGAZINE INSPECTION AND CARE

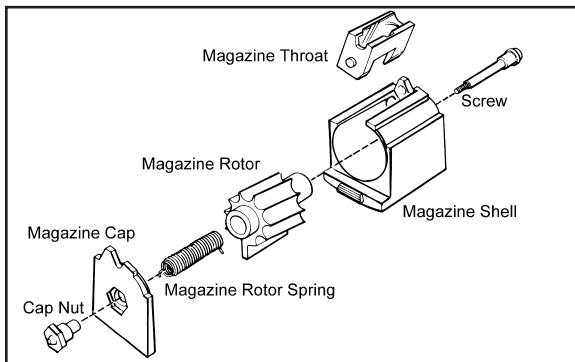
Check the magazine frequently. The rotor must move freely and have adequate tension so that each cartridge is quickly raised to the feeding position. At the time of manufacture, proper rotor tension is set by rotating the magazine cap nut until the rotor stops turning. Then the nut is turned an additional 1 1/4 turns beyond the ‘stop’ position.

To test the rotor tension, load one cartridge into the magazine and then firmly press against the side of the cartridge case. Remove your finger quickly. The cartridge should instantly and fully move in to the feeding position. If it does not, the magazine should be cleaned. **If cleaning does not restore proper rotor tension, do not use the magazine.** (NOTE: After testing, remove the test cartridge.)

When cleaning is necessary, use a solvent that will not rust the metal components or adversely affect the plastic magazine box. After the magazine has been soaked in solvent to loosen foreign matter, be certain to shake it vigorously (with the loading opening away from you) to remove solvent or residue from within the magazine.

After cleaning, always check to be certain that rotor movement and tension are correct, and that no solvent or debris remain. Do not disassemble the magazine. Improper reassembly or improper tensioning of the rotor spring can cause a potentially dangerous malfunction. If you experience a problem with the magazine, don't use it. Get a new one.

DAMAGED, NON-STANDARD, OR IMPROPERLY ASSEMBLED MAGAZINES SHOULD NOT BE USED. THEY CAN CAUSE THE RIFLE TO MALFUNCTION.



Exploded view of the 10/22 magazine components. This illustration is included to show the relationship and names of the magazine components. As noted in the text above, the magazine should not be disassembled.

CARE AND CLEANING

Make Sure Gun is Unloaded!

Before cleaning, be certain the rifle and its magazine contain no cartridges.

Cleanliness is most important to the function of this blow-back operated autoloading firearm. Any failures to feed or extract rounds may be indications of a dirty chamber. Note: For the 10/22 Magnum and 10/17 rifles – **Never fire more than 50 shots without scrupulously cleaning the chamber.** Use commercially available bore cleaning solution and a brass brush, followed by drying with a cloth patch, to remove any powder residue. **An excess of dirt, powder residue, or oil in the chamber will cause malfunctions and may result in potentially dangerous cartridge case ruptures and release of hot gasses and case fragments when firing.**



At regular intervals, or whenever the rifle has been exposed to sand, dust, extreme humidity, condensation, immersion in water, or other adverse conditions, disassemble, clean and oil it. Proper periodic maintenance is essential to the reliable functioning of any firearm.

To clean the rifle, proceed as follows:

1. Disassemble (field-strip) the rifle to the extent described on page 24.
2. Using a cleaning rod, run a solvent-wetted patch through the bore several times. Then attach a solvent-wetted bristle brush to the rod and run it back

and forth the full length of the bore as many times as necessary to remove grease and dirt from the bore and chamber. Clean bore with dry patches and examine. Bore fouling can contribute to reduced accuracy, and grease accumulation in the chamber can interfere with proper feeding of cartridges from the magazine.

- Using powder solvent on a clean patch or bristle brush, remove powder residue from all components of the mechanism. After cleaning, run a dry patch through the bore, then follow with a patch that is very lightly oiled. Wipe all surfaces clean with cloth, then wipe all surfaces with a patch or cloth that has been very lightly oiled.
- NOTE: Only a light application of oil is needed to provide adequate lubrication of moving parts and to prevent rust. Excess accumulations of oil tend to attract particles of dust and dirt and may congeal in cold weather which can interfere with the safe and reliable functioning of the rifle.

| | |
|--|--|
|  WARNING – LUBRICATION | |
|  | Firing a rifle with oil, grease, or any other material even partially obstructing the bore may result in damage to the rifle and serious injury to the shooter and those nearby. Do not spray or apply lubricants directly on ammunition. If the powder of a cartridge is affected by the lubricant, it may not be ignited, but the primer firing may push the bullet into the bore where it may be lodged. Firing a subsequent bullet into the obstructed bore may damage the rifle and cause serious injury or death to the shooter and those nearby. Use lubricants properly. You are responsible for the proper care and maintenance of your firearms. |
| | IMPROPER LUBRICATION DESTROYS GUNS |

STORAGE

GUNS SHOULD NOT BE STORED LOADED!

**USE THE LOCKING DEVICE SUPPLIED WITH THE RIFLE FOR STORAGE.
(SEE PAGE 6)**

Sturm, Ruger also offers gun safes for sale as a means to secure more than one firearm. Please call (208) 425-3052 for details and ordering information.

Do not store the rifle in a leather case or scabbard. Leather attracts moisture, even though it may appear to be dry.

TO RENDER THE RIFLE INOPERATIVE FOR SAFE STORAGE

With the muzzle pointed in a safe direction, remove the magazine, open the bolt, and check the chamber to be sure the rifle is completely unloaded! For Carabines with a barrel band, loosen barrel band screw and slide barrel band forward off stock. Unscrew, but do not remove, takedown screw on underside of stock. Move safety button to centered position

and carefully lift barrel/receiver assembly out of the stock. Drift out receiver cross pins to the left and remove trigger housing assembly. Reassemble rifle without trigger housing assembly, which contains most of the firing mechanism.

Store the rifle and the trigger housing assembly in different locations. When disassembled in this manner, the rifle is inoperable. It is impossible to fire the rifle until the trigger housing assembly has been correctly replaced into the rifle.

To reassemble the rifle for firing, remove the barrel/receiver assembly from the stock as above and reinstall the trigger housing. Replace the receiver cross pins to secure the trigger housing to the receiver. With the safety in the centered position, carefully reinstall the barrel/receiver/trigger housing into the stock. Check to be sure the bolt, trigger, and safety mechanisms can be operated fully and freely. Reinstall the barrel band on Carbines. The rifle is now reassembled and can be loaded and fired normally.

While the rifle is less likely to be used by unauthorized persons when disassembled in the above manner, it is always safest to store a firearm with the supplied locking device correctly installed, or to store the firearm in a gun safe or other secure location, away from children and unauthorized adults. Guns should always be stored securely, unloaded and separate from their ammunition.

| | |
|--|--|
|  WARNING – STORAGE | |
|  | <p>Never place or store any firearm in such a manner that it may be dislodged. Firearms should always be stored securely and unloaded, away from children and careless adults. Use the locking device originally supplied with this firearm for storage.</p> <p>The use of a locking device or safety lock is only one aspect of responsible firearms storage. For increased safety, firearms should be stored unloaded and locked in a location that is both separate from their ammunition and inaccessible to children and any other unauthorized person.</p> |
| STORE SECURELY & UNLOADED | |

MAINTENANCE OF STAINLESS STEEL RIFLES

Firearms and components made of stainless steel are relatively more resistant to corrosion than those of blued steel. However, in the interest of proper operation and long life of a stainless steel firearm, inspect it frequently and clean, lubricate and apply an appropriate rust preventative.

Sometimes discoloration occurs from perspiration or from contact with some types of gun cases. Rusting may occur as a result of the firearm being exposed to moisture, salt air or chemicals.

Minor discoloration can usually be removed by rubbing the stainless area with an abrasive ink eraser, crocus cloth, or a "metal polishing" compound. When using any of these abrasives, proceed with care and use light pressure to achieve a blending of "color" with those areas that are not discolored. Do NOT use abrasives on the clear coating of the aluminum alloy receiver and trigger housing.

External surfaces most subject to rusting from handling, or from exposure to the elements, should be cleaned and wiped dry after use or after exposure to adverse conditions. If the rifle is to be stored, coat it with a light film of oil or preservative. Where the rifle is in continuing use, and the presence of oil or grease would be objectionable, then the external surfaces can be coated (after cleaning and drying) with a paste wax formulated for use on metals. Apply the wax sparingly, allow time for it to dry hard, then buff lightly with a soft cloth. When applying the wax, take care that it does not get into the mechanism or on the functioning parts or in the bore.

ATTACHING SCOPE BASE ADAPTER

To attach Scope Base Adapter to rifle receiver:

1. Retract bolt handle, lock bolt open and push safety to “on” position. **Be sure gun is completely empty.**
2. Unscrew the four filler (headless) screws from the receiver. These screws may be quite tight.
3. Position adapter on receiver and place a base-mounting screw in each hole of the adapter. Turn each screw until it just catches the threads in the receiver hole, but don't tighten the screws at this point.
4. Starting at the first screw, turn each screw part way in; then move to the next screw, repeating the procedure until all four screws are snugly tightened.
5. Release the bolt handle; then retract it several times, permitting it to snap forward. If the bolt seems to bind, determine which screw is binding the top of the bolt. If it is necessary to shorten a screw, be certain to chamfer its top so it does not cross thread the hole in the receiver.
6. Attach scope bases and scope to the adapter in accordance with their instructions.

Scope mounting precautions: Do not remove the scope base filler screws (there are four in the receiver) unless the supplied scope base adapter or other suitable base is to be mounted with properly fitting screws. Do not deepen or alter the screw holes that are in the Ruger 10/22. **Do not place any sealant into the screw holes in the receiver, as the sealant can drip into the bolt or receiver and cause potentially dangerous malfunctions.**



**Tip-Off Style
Scope Base Adapter**



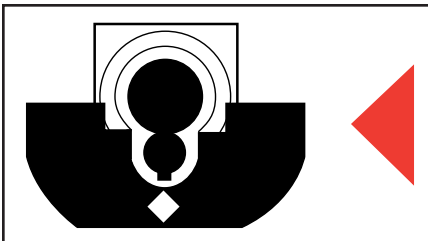
**Weaver-Style
Scope Base Adapter**

SIGHT ADJUSTMENT

The folding leaf rear sight is adjustable for elevation. The slide must be moved one graduation to change the point of impact by approximately one inch at 25 yards. Use a small screwdriver with a blade tip that exactly fits the screw-head. Loosen the screws only slightly so the slide doesn't move too freely. Move the slide in the direction you want the point of impact of the bullet to move. When the slide is positioned at the desired height, carefully tighten both screws.

Lateral (windage) adjustment is made by 'drifting' the sight base in its slot. Place a short brass rod against the sight base (and only the base) and tap the sight in the direction you wish to move the point of bullet impact. Before moving the sight, pencil mark an index line on the sight base and rib so that sight movement can be detected.

SUGGESTED SIGHT PICTURE



Top of front sight even with top of rear sight slide. Front sight centered in notch of rear sight slide. Target bull's-eye centered on top of front sight.

Note that the rear sight blade can be reversed to give a square notch rear sight picture.

SERVICE AND PARTS POLICY

If you have any question regarding the performance of your **RUGER® MODEL 10/22® or 10/17™** rifle or carbine please write or call (603-865-2442) our Product Service Department in Newport, New Hampshire 03773, fully describing all circumstances and conditions involved. If you should return your rifle to the factory for repair, or order parts for it, please comply with the following suggestions for prompt service:



WARNING: BEFORE SHIPPING ANY FIREARM, BE ABSOLUTELY CERTAIN THAT IT AND ITS MAGAZINE ARE UNLOADED. DO NOT SHIP CARTRIDGES WITH A FIREARM.

SHIPPING FIREARMS FOR REPAIR

RUGER® MODEL 10/22® and 10/17™ rifles and carbines returned to the factory for repair should be sent to: Sturm, Ruger & Company, Inc., Product Service Department, 411 Sunapee St., Newport, New Hampshire 03773. Telephone (603) 865-2442.

Guns should be sent prepaid. We will not accept collect shipments.

The Federal Gun Control Act, as well as the laws of most States and localities, do not prohibit an individual (who is not otherwise barred from purchasing or possessing a firearm) from shipping a firearm directly to the manufacturer for repair. However, before you ship your rifle to us, be certain that your State or locality does not have a law or regulation which will prohibit you from receiving the rifle from us after it has been repaired. If such receiving is prohibited, then please have a Federally Licensed firearms dealer ship the gun to us. If your rifle is sent to us by a dealer, it will be returned to him after being repaired. If a handgun (pistol or revolver) is shipped by an individual who does not hold a Federal Firearms License, it must be shipped for overnight delivery via U.P.S., Federal Express or other, similar private overnight service. NOTE: Firearms may not be shipped via U.S. Mail. Handguns mailed in violation of the law are impounded by the Post Office.

Please do not include a rifle case, sling, telescopic sights or custom accessories with a firearm being shipped to the factory for service. **DO NOT SEND GUN BOXES OR LITERATURE THAT YOU CONSIDER TO BE COLLECTOR'S ITEMS – THESE ARE INVARIABLY DAMAGED OR DESTROYED IN SHIPMENT.** Rifles and shotguns may be shipped via Parcel Post. Always insure your shipment.

Enclose a letter that includes your name, address, telephone number, serial number and model of the firearm. Describe in detail the trouble you have experienced with your firearm, or the work you wish to have done. Merely stating that the firearm “needs repair” is inadequate information.

Work performed will bear a net minimum labor charge of \$20.00 plus a \$30.00 shipping and handling charge. The charge for rebluing the **RUGER® MODEL 10/22® and 10/17™** rifles and carbines is \$50.00 plus a \$30.00 shipping and handling charge. Custom gunsmithing service or nonstandard alterations are NOT AVAILABLE from Ruger Product Service Departments.


| | |
|---|---|
|  | WARNING – PARTS PURCHASERS |
|  | <p>It is the purchaser's responsibility to be absolutely certain that any parts ordered from the factory are correctly fitted and installed. Firearms are complicated mechanisms and IMPROPER FITTING OF PARTS MAY RESULT IN A DANGEROUS MALFUNCTION, DAMAGE TO THE FIREARM, AND SERIOUS INJURY TO THE SHOOTER AND OTHER PERSONS. The purchaser and installer of parts must accept full responsibility for the correct adjustment and functioning of the firearm after such installation.</p> <p>PARTS MUST FIT CORRECTLY</p> |

ORDERING PARTS

Please contact the New Hampshire Product Service Department for parts availability and current prices. All parts ordered for the **RUGER® MODEL 10/22® or 10/17™** should be sent to: Sturm, Ruger & Co., Inc., Product Service Department, 411 Sunapee Street, Newport, New Hampshire 03773, 603-865-2442. We cannot comply with open account or C.O.D. orders. Payment in the form of a check, money order, Visa or Mastercard must accompany your order. Credit Card orders must include the account number, expiration date and whether it is a Visa or Mastercard account. Minimum parts order is \$1.00 plus \$3.50 shipping and handling charge. Order parts by Part Name and Part Number and include the entire serial number of the firearm for which the parts are being ordered. There is a minimum net labor charge of \$20.00 plus \$30.00 shipping and handling charge if the parts are factory fitted. All factory fitted parts are fit on an exchange basis only. We will not return the replaced parts.

Because the receiver is a serial numbered component, it is defined as a "firearm" by Federal law and is not sold as a separate component.

*Parts designated by an asterisk must be factory fitted. These parts are fitted on an exchange basis only. We will not return the replaced parts. We will not return any part that is broken, malfunctioning, badly worn or has been modified. See "Warning – Parts Purchasers" above.

| | |
|---|---|
|  | CAUTION: A gun containing modified, broken, malfunctioning, or badly worn parts should not be fired. |
|---|---|

RUGER® MODEL 10/22® & 10/17™ RIFLES

PARTS LIST

Design, prices and specifications subject to change without notice.

SPECIFY MODEL AND CALIBER WHEN ORDERING

(See Exploded Views on Pages 41 - 46)

34

| Part Name | Part No. | Model |
|--|-----------------|---|
| Barrel | 0B8001 | Standard, Deluxe Sporter & All-Weather - Blued Models |
| Barrel | K0B8001 | Standard & All-Weather - Stainless Models |
| Barrel | 0B8003 | Target - Blued Model |
| Barrel | K0B8003 | Target - Stainless Model |
| Barrel | K0B8006 | Target - Silhouette Model |
| Barrel | 0B8004 | 10/22 Magnum |
| Barrel | 0B8009 | 10/22 RR |
| Barrel | 0B8014GM | 10/22 CRR |
| Barrel | 0B8008 | 10/17 RBR |
| Barrel Band | B-68 | Standard & All-Weather - Blued Models |
| Barrel Band | L06801 | 10/22 Magnum |
| Barrel Band, Clear Coated | B06802 | Standard & All-Weather - Stainless Models |
| Barrel Band Screw | B-69 | Standard, All-Weather & 10/22 Magnum |
| Barrel Retainer, V-Block | B-66 | All Models |
| Barrel Retainer Screw, 2 Req'd. | B-67 | All Models |
| Bolt Only | B-10 | All Models except 10/22 Magnum & 10/17 RBR |
| Bolt Only | B01006 | 10/22 Magnum |
| Bolt Only | B01004 | 10/17 RBR |
| Bolt Assembly, Complete Standard Finish | B-10A | Standard, All-Weather, 10/22 RR & 10/22CRR |

| Part Name | Part No. | Model |
|---|-----------------|--|
| Bolt Assembly, Complete Color Buffed | B-10C | Deluxe Sporter & Target Models |
| Bolt Assembly, Complete | B21006 | 10/22 Magnum |
| Bolt Assembly, Complete | B21004 | 10/17 RBR |
| Bolt Lock | B-41 | All Models except 10/22 Magnum & 10/17 RBR |
| Bolt Lock | B04106 | 10/22 Magnum & 10/17 RBR |
| Bolt Lock Spring | B-42 | All Models |
| Bolt Stop Pin | B-46 | All Models except 10/22 Magnum & 10/17 RBR |
| Bolt Stop Pin | B04600 | 10/22 Magnum & 10/17 RBR |
| Butt Plate | C-63 | Standard & 10/22 Magnum |
| Butt Plate | B06301 | 10/22 RR & 10/17 RBR |
| Butt Plate | B06302 | 10/22 CRR |
| Butt Plate Screw, 2 Req'd. | B-64 | Standard & 10/22 Magnum |
| Butt Plate Screw, 2 Req'd. | B-91 | 10/22 RR, 10/22CRR & 10/17 RBR |
| Cocking Handle, Guide Rod & Recoil Spring Assembly | B-48A | All Models except 10/22 Magnum & 10/17 RBR |
| Cocking Handle, Guide Rod & Recoil Spring Assembly | B20705 | 10/22 Magnum & 10/17 RBR |
| Disconnecter | B-25 | All Models |
| Disconnecter Spring | B-24 | All Models |
| Disconnecter & Trigger Pivot Pin | KE02800 | All Models |
| Ejector | B-8 | All Models |
| Ejector Cross Pin, Not Illustrated | B-22 | All Models |
| Escutcheon, Not Illustrated | B-51 | All Models |
| Extractor | B-14 | All Models |
| Extractor Plunger | B-16 | All Models |

| Part Name | Part No. | Model |
|---|-----------------|---|
| Extractor Spring | B-15 | All Models |
| Firing Pin | B-11 | All Models except 10/22 Magnum & 10/17 RBR |
| Firing Pin | B01106 | 10/22 Magnum & 10/17 RBR |
| Firing Pin Rebound Spring | A20000 | All Models except 10/22 Magnum |
| Firing Pin Rebound Spring | B-12 | 10/22 Magnum |
| Firing Pin Stop Pin | B-13 | All Models |
| Front Mounting Screw | J04701 | 10/22 Magnum |
| Front Sight | B27501 | Standard, Deluxe Sporter & All-Weather Models |
| Front Sight | J06001 | 10/22 Magnum |
| Front Sight | J06000 | 10/17 RBR |
| Front Sight Base | B06001 | 10/17 RBR |
| Front Sight, Fiber Optic | B07506 | 10/22 RR & 10/22CRR |
| Hammer | B-17A | All Models except Target Model |
| Hammer | B01703 | Target |
| Hammer Bushing, 2 Req'd. | B-43 | All Models |
| Hammer Pivot Pin | B-19 | All Models |
| Hammer Spring | B-44 | All Models except 10/22 Magnum & 10/17 RBR |
| Hammer Spring | B04406 | 10/22 Magnum & 10/17 RBR |
| Hammer Strut | B-18 | All Models |
| Hammer Strut Washer | B-45 | All Models |
| Magazine, Complete, 10-Shot Capacity | BX-1 | All Models except 10/22 Magnum & 10/17 RBR |
| Magazine, Complete, 10-Shot Capacity | JMX-1 | 10/22 Magnum & 10/17 RBR |

| Part Name | Part No. | Model |
|--|-----------------|--|
| Magazine, Complete, 5-Shot Capacity | BX-1-5 | All Models except 10/22 Magnum & 10/17 RBR |
| Magazine Latch | B-34 | All Blued Models |
| Magazine Latch | B03401 | All Stainless Models |
| Magazine Latch Pivot & Ejector Pin, 2 Req'd | B-35 | All Models |
| Magazine Latch Plunger | B-36 | All Models |
| Magazine Latch Plunger Spring | B-37 | All Models |
| Pistol Grip Cap Medallion | D-82 | All-Weather Models |
| Rear Sight, Open | B-76 | Standard, Deluxe Sporter & All-Weather Models |
| Rear Sight | D-77 | 10/22 Magnum |
| Rear Sight, Fiber Optic | B07701 | 10/22 RR & 10/22CRR |
| Rear Sight | J06100 | 10/17 RBR |
| Receiver Cross Pin, 2 Req'd. | B-5 | All Models |
| Receiver Filler Screws, 4 Req'd., Not Illustrated | C-83 | All Models except 10/22 Magnum & 10/17 RBR |
| Recoil Pad | D06304 | Deluxe Sporter & Target |
| Recoil Pad Screws, 2 Req'd. | D-84 | Deluxe Sporter & Target |
| Safety | B-52 | All Models |
| Safety Detent Plunger | B-53 | All Models |
| Safety Detent Plunger Spring | B-54 | All Models |
| Scope Base Adapter, With 4 Screws Not Illustrated | SBA | All Blued Models except 10/22 Magnum & 10/17 RBR |
| Scope Base Adapter, Clear Coated Not Illustrated | KSBA | All Stainless Models |

| Part Name | Part No. | Model |
|--|-----------------|--|
| Scope Base Adapter, With 4 Screws Weaver-Style | NSBA | All Blued Models except 10/22 Magnum & 10/17 RBR |
| Scope Base Adapter, Clear Coated Weaver-Style | NKSBA | All Stainless Models |
| Scope Base Screws, 4 Req'd., Not Illustrated | B-89 | All Models except 10/22 Magnum & 10/17 RBR |
| Scope Base Torx [®] Head Screw, 8 Req'd. | MPF07602 | 10/22 Magnum & 10/17 RBR |
| Scope Rings, Medium Accommodates 42mm lens | S100RM | 10/22 Magnum & 10/17 RBR |
| Scope Ring Clamp | D-74 | 10/22 Magnum & 10/17 RBR |
| Scope Ring Nut | D-73 | 10/22 Magnum & 10/17 RBR |
| Sear | B-23 | All Models except Target Model |
| * Sear | B02302 | Target |
| Sear Spring | B-24 | All Models |
| Sling Swivel, Front | MS07601 | Deluxe Sporter |
| Sling Swivel, Front | MS07602 | Target |
| Sling Swivel, Rear | MS07601 | Deluxe Sporter, International & Target |
| Stock Assembly, Complete — Birch | B-4-1 | Standard |
| Stock Assembly, Complete — Black Laminate — See “ Note A ” on page 39. | B00405 | Standard |
| Stock Assembly, Complete — Walnut | B09201 | Deluxe Sporter |

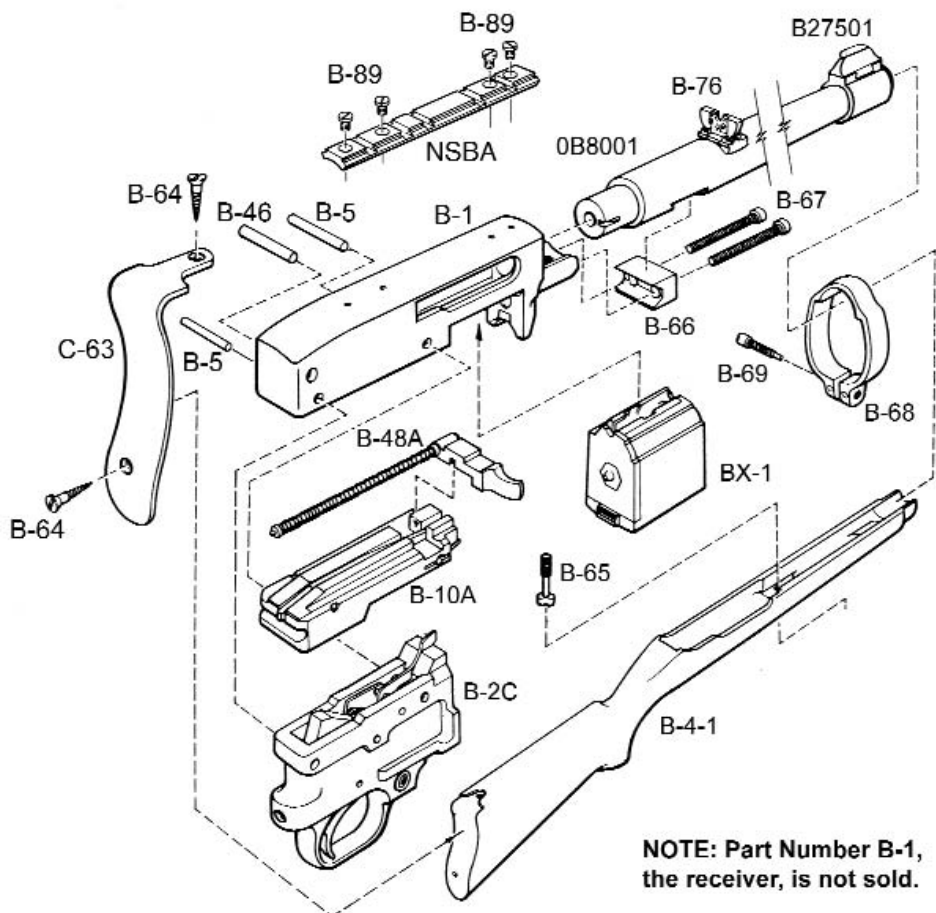
| Part Name | Part No. | Model |
|--|-----------------|--|
| Stock Assembly, Complete — Laminated American Hardwood | B00430 | Target |
| Stock Assembly — Synthetic Stock | B30425A | All-Weather |
| Stock, Black Laminate | BOYDS-600-333 | Target Silhouette Model |
| Stock Assembly, Complete — Standard Carbine Birch | B20435 | 10/22 Magnum |
| Stock Assembly | B00433 | 10/22 RR |
| Stock Assembly | B00442 | 10/22 CRR |
| Stock Assembly | B00434 | 10/17 RBR |
| Take-Down Screw | B-65 | All Models except 10/22 Magnum, 10/22 RR & 10/17 RBR |
| Take-Down Screw | L04701 | 10/22 RR & 10/17 RBR |
| Torx [®] Key Wrench, Not Illustrated (for Scope Base Torx [®] Head Screw) | MPF07601 | 10/22 Magnum & 10/17 RBR |
| Trigger | B-20 | All Blued Models |
| Trigger | B02001 | All Stainless Models |
| Trigger Assembly, Complete | B-20D | All Blued Models except Target |
| * Trigger Assembly, Complete | B02002D | Target - Blued Model |

NOTE A: The black laminate stock assembly (B00405) is sold only on an exchange basis. That is, the “old” black laminate stock must accompany the payment and order for a new B00405 stock.

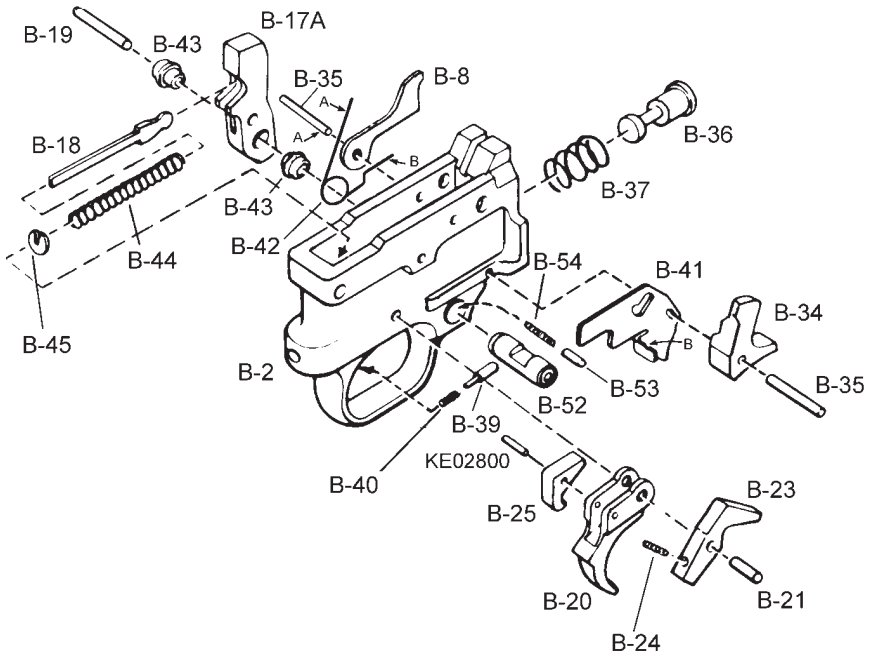
| Part Name | Part No. | Model |
|----------------------------------|-----------------|--|
| Trigger Assembly, Complete | B02001D | Standard & All-Weather - Stainless Models |
| * Trigger Assembly, Complete | B02003D | Target - Stainless Models |
| Trigger Guard | B-2 | All Blued Models except Target |
| Trigger Guard | B00202 | Target - Blued Model |
| Trigger Guard | B00201 | Standard & All-Weather - Stainless Models |
| Trigger Guard | B00203 | Target - Stainless Model |
| Trigger Guard Assembly, Complete | B-2C | All Blued Models except Target, 10/22 Magnum & 10/17 RBR |
| Trigger Guard Assembly, Complete | B00202C | Target - Blued Model |
| Trigger Guard Assembly, Complete | B-2M | 10/22 Magnum & 10/17 RBR |
| Trigger Guard Assembly, Complete | B00201B | Standard & All-Weather - Stainless Models |
| Trigger Guard Assembly, Complete | B00203C | Target - Stainless Model |
| Trigger Pivot Pin | B-21 | All Models |
| Trigger Plunger | B-39 | All Models |
| Trigger Plunger Spring | B-40 | All Models |

*** PARTS SO MARKED MUST BE FACTORY FITTED**

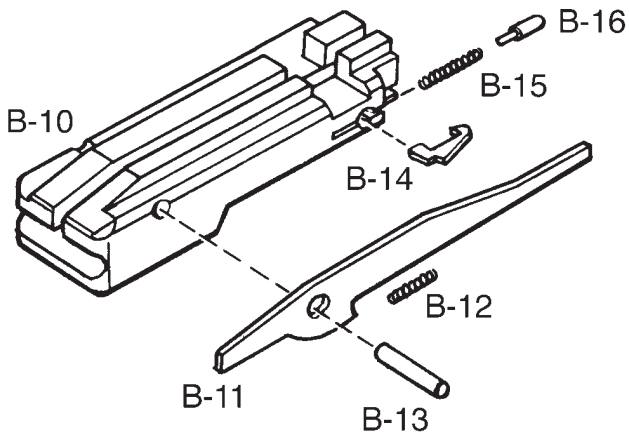
RUGER® MODEL 10/22® CARBINE



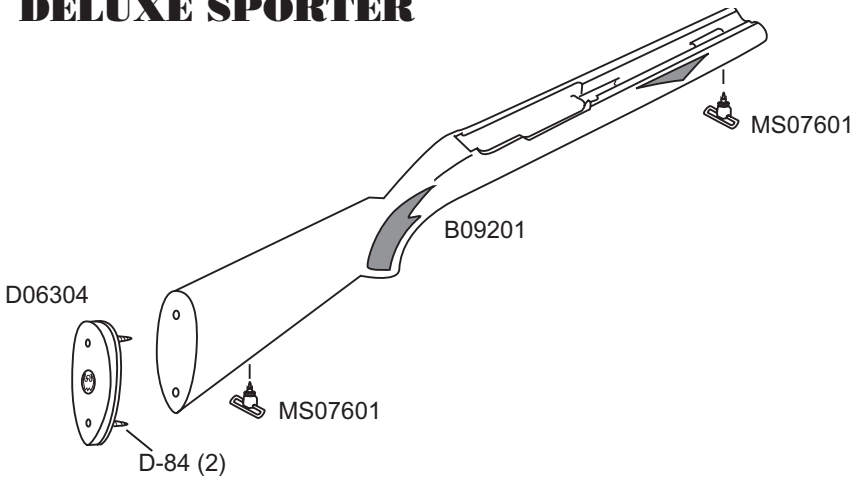
10/22® TRIGGER GUARD ASSEMBLY



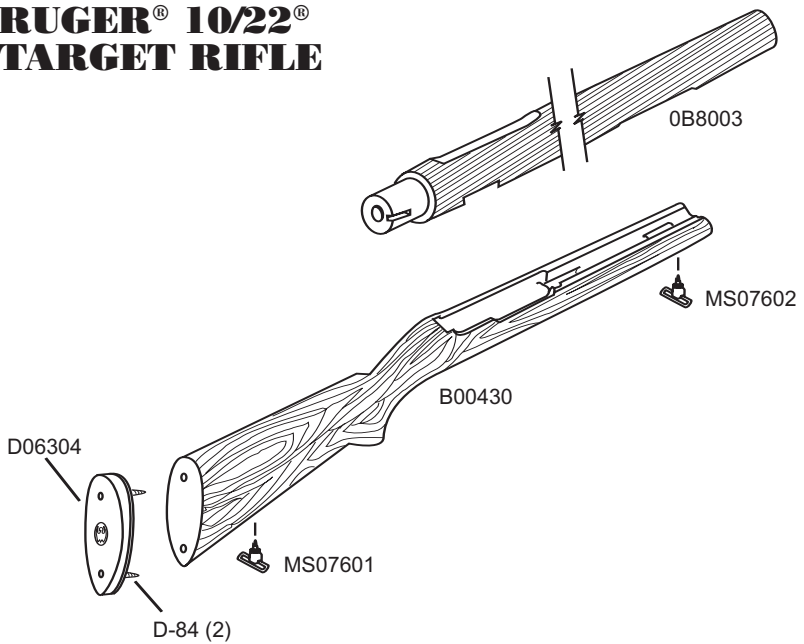
10/22® BOLT ASSEMBLY



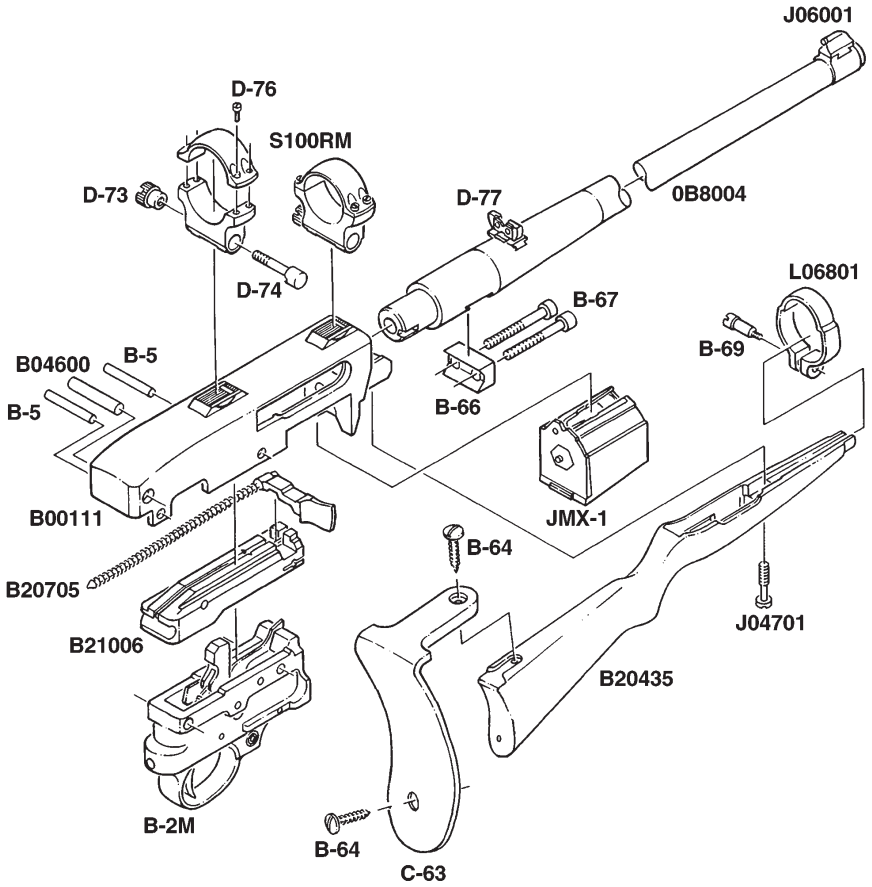
RUGER® 10/22® DELUXE SPORTER



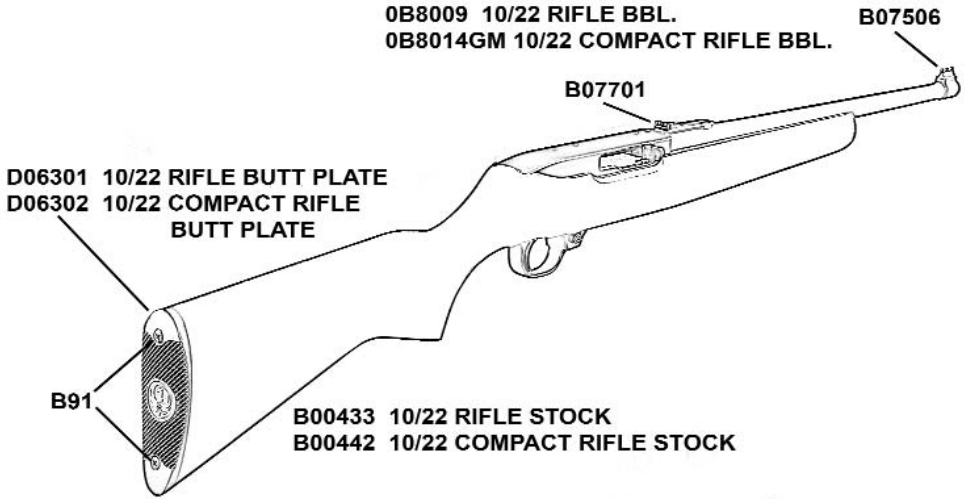
RUGER® 10/22® TARGET RIFLE



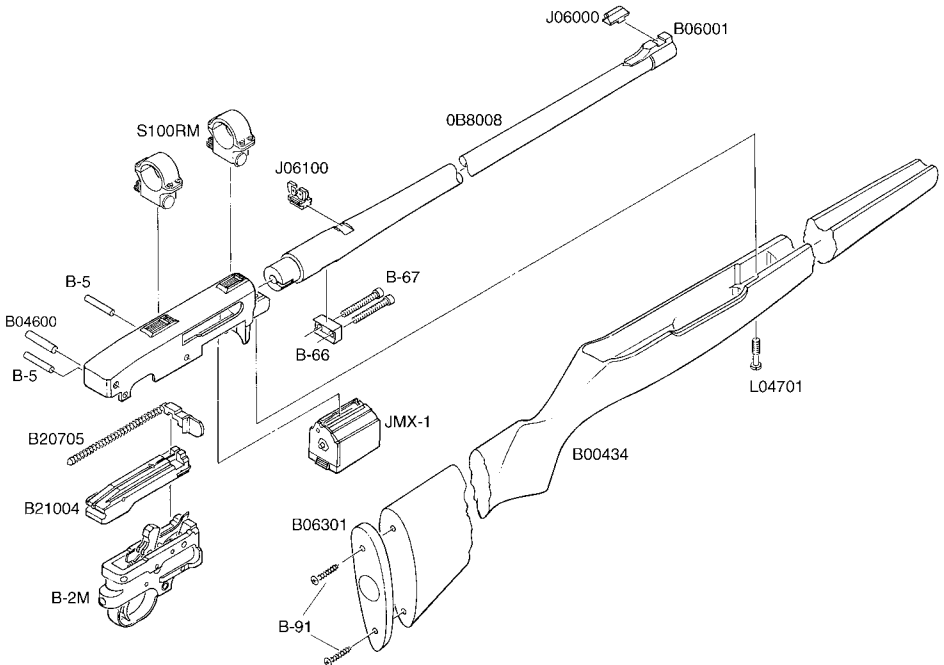
RUGER® MODEL 10/22® MAGNUM



RUGER® MODEL 10/22® RIFLE & 10/22® COMPACT RIFLE



RUGER® MODEL 10/17™ RIFLE



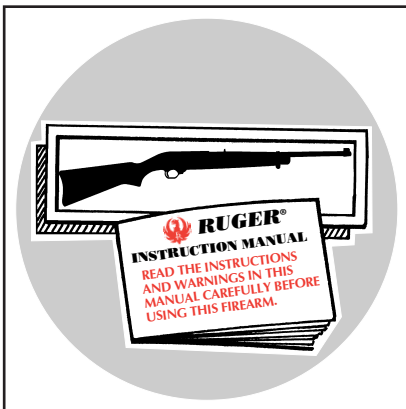
THE BASIC RULES OF SAFE FIREARMS HANDLING

We believe that Americans have a right to purchase and use firearms for lawful purposes. The private ownership of firearms in America is traditional, but that ownership imposes the responsibility on the gun owner to use his firearms in a way which will ensure his own safety and that of others. When firearms are used in a safe and responsible manner, they are a great source of pleasure and satisfaction, and represent a fundamental part of our personal liberty.

Firearms do not cause accidents! Firearms accidents are almost always found to have been the result of carelessness, or ignorance on the part of the shooter of the basic rules of safe gun handling.

The following rules must be observed by gun users at all times. Safe gun handling is not just desirable, it is absolutely essential to your safety, the safety of others, and the continuation of gun ownership and sport shooting as we know it today.

1. LEARN THE MECHANICAL AND HANDLING CHARACTERISTICS OF THE FIREARM YOU ARE USING.



Not all firearms are the same. The method of carrying and handling firearms varies in accordance with the mechanical provisions for avoiding accidental discharge and the various proper procedures for loading and unloading. No person should handle any firearm without first having thoroughly familiarized himself with the particular type of firearm he is using, and with safe gun handling in general.

2. ALWAYS KEEP THE MUZZLE POINTED IN A SAFE DIRECTION.

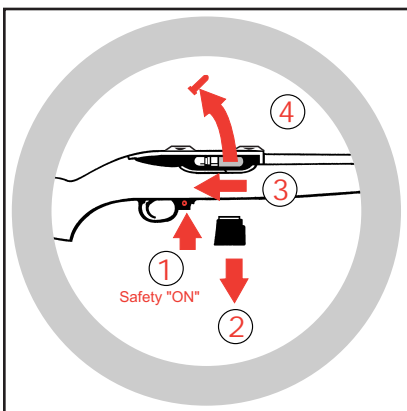


Be sure of the bullet stop behind your target, even when dry-firing. Never let the muzzle of a firearm point at any part of your body or at another person. This is particularly important when loading or unloading a firearm. In the event of an accidental discharge, no injury can occur as long as the muzzle is pointing in a safe direction. A safe direction means a direction which will not permit a

discharged bullet to strike a person, or to strike an object from which the bullet may ricochet.

A safe direction must take into account the fact that a bullet may penetrate a wall, ceiling, floor, window, etc., and strike a person or damage property. Make it a habit to know exactly where the muzzle of your gun is pointing whenever you handle it, and be sure that you are always in control of the direction in which the muzzle is pointing, even if you fall or stumble. Keep your finger off the trigger until you are ready to shoot.

3. FIREARMS SHOULD BE UNLOADED WHEN NOT IN USE.

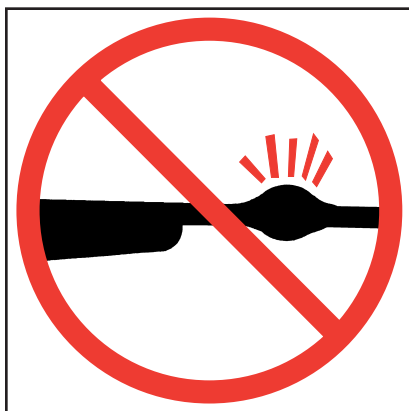


Firearms should be loaded only when you are in the field or on the target range or shooting area, ready to shoot. Firearms and ammunition should be securely locked in safes, racks or cabinets, or by using the locking device supplied with the firearm, when not in use. Ammunition should safely be stored separate from firearms. Store your firearms out of sight of visitors and children. It is the gun owner's responsibility to be certain that children and

persons unfamiliar with firearms cannot gain access to firearms, ammunition, or components.

4. BE SURE THE BARREL IS CLEAR OF OBSTRUCTIONS BEFORE SHOOTING.

Even a bit of mud, snow or excess lubricating oil or grease in the bore may cause the barrel to bulge, or even burst on firing, and can cause serious injury to the shooter and bystanders. Be sure that you are using ammunition of the proper caliber and loading for the gun you are using. If the report or recoil on firing seems weak, or doesn't seem quite right, CEASE FIRING IMMEDIATELY, unload your firearm, and check to be sure that no obstruction has become lodged in the barrel. Never try to shoot out an obstruction!





5. BE SURE OF YOUR TARGET BEFORE YOU SHOOT.

Don't shoot unless you know exactly where your bullet is going to strike. Be sure of the bullet stop behind your target, even when dry-firing with an unloaded gun. If you are in the field hunting, do not fire at a movement or noise. Take the time to be absolutely certain of your target before you pull the trigger.

6. WEAR SHOOTING GLASSES AND HEARING PROTECTORS WHEN YOU SHOOT.

All shooters should wear protective shooting glasses and adequate hearing protectors when shooting. Exposure to shooting noise can damage hearing, and adequate eye protection when shooting is essential.

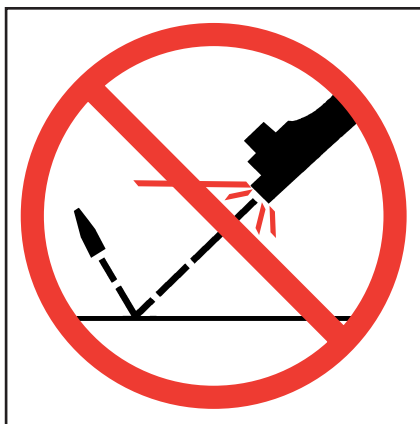


7. NEVER CLIMB A TREE OR FENCE WITH A LOADED FIREARM.

Put the firearm down carefully before climbing a fence, and unload it before climbing or descending a tree or jumping over a ditch or other obstruction. Never pull or push a loaded firearm toward yourself or another person. When in doubt, or whenever you are about to do anything awkward, unload your gun!

8. DON'T SHOOT AT A HARD SURFACE, OR AT WATER.

Bullets can glance off many surfaces like rocks or the surface of water and travel in unpredictable directions with considerable velocity.



9. NEVER TRANSPORT A LOADED FIREARM.

Firearms should always be unloaded before being placed in a vehicle. A suitable carrying case or scabbard should be used to carry an unloaded firearm to and from the shooting area.

10. AVOID ALCOHOLIC BEVERAGES WHEN SHOOTING.

Don't drink until the day's shooting is over. Handling firearms while under the influence of alcohol in any form, or medications that could affect your judgement or coordination, constitutes a criminal disregard for the safety of others. Also, do not handle or use firearms while taking any drugs or medication which may impair your ability to act safely.



A BRIEF ACCOUNT OF AN EXTRAORDINARY ACHIEVEMENT: RUGER FIREARMS

One of the few American firearms manufacturers whose management has remained in the same family since starting in business, Sturm, Ruger & Company, Inc., had its beginning in a small machine shop occupying a rented frame building in Southport, Connecticut. In January, 1949, with an initial investment of only \$50,000 and an idea, William B. Ruger and Alexander M. Sturm started production of a 22 caliber autoloading pistol—a design which was so successful that it became the cornerstone upon which one of the most comprehensive lines of sporting firearms ever made in America was established. After Alex Sturm's death in 1951, William B. Ruger continued to direct the Company until his death in 2002. Today, William B. Ruger, Jr. continues to provide guidance which has made this Company a sound and successful enterprise.

Sturm, Ruger & Company, in this relatively short time, has established itself as a leading small arms design organization, developing a unique and broad line of fine quality sporting, military and police firearms to become one of the world's most famous producers of revolvers, pistols, rifles and shotguns. Since 1949 Ruger craftsmen have built many millions of firearms.

During its five decades of growth and progress under the leadership of William B. Ruger, the Company developed a business philosophy and implemented policies which represent a constructive influence in the life of modern America. From the beginning, Sturm, Ruger & Company played a positive role in conservation efforts and has supported the interests of shooters through such groups as the National Rifle Association, National Shooting Sports Foundation, and many regional sportsmen's organizations.

The Company has always endeavored to market its firearms for constructive and recreational purposes, to emphasize the traditional aspects of shooting, to render meaningful public services and to encourage shooters in constructive, responsible, and safe participation in the shooting sports. Its motto is "Arms Makers For Responsible Citizens."

Today, Sturm, Ruger & Company is particularly mindful of those elements which have contributed to the creation of its success, and extends heartfelt thanks to its many loyal employees and customers.

A current catalog of Ruger firearms is available free upon request to
Sturm, Ruger & Co., Inc., Southport, CT 06890

WHY NO WARRANTY CARD HAS BEEN PACKED WITH THIS NEW RUGER FIREARM

The Magnuson-Moss Act (Public Law 93-637) does not require any seller or manufacturer of a consumer product to give a written warranty. It does provide that if a written warranty is given, it must be designated as "limited" or as "full" and sets minimum standards for a "full" warranty. Sturm, Ruger & Company, Inc. has elected not to provide any written warranty, either "limited" or "full", rather than to attempt to comply with the provisions of the Magnuson-Moss Act and the regulations issued thereunder. There are certain implied warranties under state law with respect to sales of consumer goods. As the extent and interpretation of these implied warranties varies from state to state, you should refer to your state statutes. Sturm, Ruger & Company wishes to assure its customers of its continued interest in providing service to owners of Ruger firearms.



STURM, RUGER & Company, Inc.
Southport, Connecticut 06890 U.S.A.

www.ruger.com

Arms Makers For Responsible Citizens®

**A COPY OF THE INSTRUCTION MANUAL FOR ANY RUGER
FIREARM IS AVAILABLE FROM THE FACTORY FREE ON REQUEST, OR IT MAY
BE DOWNLOADED FROM OUR WEBSITE AT WWW.RUGER.COM.
THESE INSTRUCTION MANUALS CONTAIN IMPORTANT
WARNINGS WHICH MUST BE UNDERSTOOD
BEFORE USING THESE FIREARMS.**

"Ruger 10/17," "22/45," "Model 96," "P90," "P91," "P93," "P94," "P95," "P97," "Ruger P345," "P345D," "Mark III," "P345PR," and "Super Redhawk Alaskan" are RUGER TRADEMARKS. "RUGER," THE STURM, RUGER LOGO, "AC-556," "Arms Makers For Responsible Citizens," "10/22," "All-Weather," "Bearcat," "Bisley," "Blackhawk," "Gold Label," "GP100," "Hawkeye," "M77," "Mini Thirty," "Mini-14," "Old Army," "P85," "Redhawk," "Ruger Titanium," "Ruger 77/17," "Ruger 77/22," "Ruger 77/44," "Ruger 77/50," "Ruger SP101," "Ruger Vaquero," "Security-Six," "Service-Six," "Single Six," "Speed-Six," the "SR" Design and "Target Grey" are REGISTERED U.S. TRADEMARKS. "DEERFIELD" is a registered trademark of Blount, Inc.