

**INSTRUCTION MANUAL  
FOR**



**RUGER®  
SECURITY-SIX®  
SPEED-SIX®  
POLICE SERVICE-SIX®  
DOUBLE ACTION REVOLVERS**



**NOTE: This model out of production.  
— For reference use only.**

**READ THE INSTRUCTIONS AND WARNINGS  
IN THIS MANUAL CAREFULLY  
BEFORE USING THIS FIREARM**

**THIS INSTRUCTION MANUAL SHOULD ALWAYS ACCOMPANY THIS FIREARM  
AND BE TRANSFERRED WITH IT UPON CHANGE OF OWNERSHIP,  
OR WHEN THE FIREARM IS LOANED OR PRESENTED TO ANOTHER PERSON.**

**A COPY OF THE INSTRUCTION MANUAL FOR EACH MODEL RUGER FIREARM  
IS AVAILABLE FROM THE FACTORY ON REQUEST.  
THESE INSTRUCTION MANUALS CONTAIN IMPORTANT WARNINGS  
WHICH MUST BE UNDERSTOOD BEFORE USING THESE FIREARMS.**

**STURM, RUGER and Company, Inc.  
Southport, Connecticut 06490 U.S.A.**

**ALL RUGER FIREARMS ARE DESIGNED AND MANUFACTURED  
IN RUGER FACTORIES IN THE UNITED STATES OF AMERICA**

**KE & E/1-86**

# FIREARMS SAFETY — YOUR RESPONSIBILITY

SAFETY MUST BE THE FIRST AND CONSTANT CONSIDERATION OF EVERY PERSON WHO HANDLES FIREARMS AND AMMUNITION.

This Instruction Manual is designed to assist you in learning how to use and care for your revolver properly.

Only when you are certain you fully understand the Manual and can properly carry out its instructions should you practice loading, unloading, etc. with live ammunition.

If you have any doubts about your ability to handle or use a particular type of gun safely, then you should seek supervised instruction.

Such personalized instruction is often available from gun dealers, gun clubs or police departments. If none of these sources can help you, write to the National Rifle Association, Washington D.C. 20036. They will assist you.

The person with a gun in his possession has a full-time job. He cannot guess; he cannot forget. He must know how to use his firearm safely. *Do not use any firearm without having a complete understanding of its particular characteristics and safe use.* Remember: There is no such thing as a foolproof gun.

## TABLE OF CONTENTS

	Page
General Information and Mechanical Characteristics .....	3
Ammunition .....	4
Sights .....	5
Dry-Firing .....	5
Handling .....	6
To Load and Fire .....	6
To 'Uncock' (Decock) the Revolver .....	6
To Unload or Eject Cartridge Cases .....	7
Disassembly and Reassembly .....	8
Care and Cleaning .....	10
Care of Stainless Steel Revolvers .....	10
Service and Parts Policy .....	11
The Basic Rules of Safe Firearms Handling .....	14
Warranty Information .....	15

### WARNINGS OF GREAT IMPORTANCE ARE FOUND ON THE FOLLOWING PAGES:

Alteration .....	2	Handling .....	6
Ammunition .....	4 & 5	Firing .....	7
Bore Obstructions .....	4	Disassembly-Reassembly .....	8
Lubrication .....	5	Parts Purchasers .....	12
Malfunctioning Parts .....	14		

Other Cautions and Warnings appear throughout the Manual.

### ALTERATION WARNING

Sturm, Ruger & Company, Inc. will not be responsible for *any* alteration of *any* part of this firearm after it leaves our control, or for the addition or substitution of parts or accessories not manufactured by Sturm, Ruger & Company, Inc. This product was designed to function properly *in its original condition*. Any changes made in this product are specifically contrary to our instructions and we expressly do *not* authorize any changes to be made after manufacture. *Do not jeopardize your safety or the safety of others by making modifications to your firearm.*

# FIREARMS ARE DANGEROUS WEAPONS— READ THE INSTRUCTIONS AND WARNINGS IN THIS MANUAL THOROUGHLY AND CAREFULLY BEFORE USING THIS FIREARM

## THE RUGER DOUBLE ACTION REVOLVERS IN Calibers 38 Spec., 357 Mag., and 9mm Para.

### GENERAL INFORMATION AND MECHANICAL CHARACTERISTICS

Composed of a series of integrated sub-assemblies, the design concepts of great strength, extreme simplicity, and ease of maintenance, which are typical of all Ruger firearms, form the basis for the Security-Six, the Speed-Six, and the Police Service-Six, double action revolvers.

The internal parts are installed either through the top or bottom of the grip-frame; therefore, *no side plate* is needed. The resulting *double* solid frame contributes greatly to the extraordinary strength and reliability of these revolvers.

Field-stripping (covered in detail later in this manual) is accomplished entirely without the use of tools; only a coin being required to loosen the grip screw.

Ruger double action revolvers have a transfer bar which is connected directly to the trigger. The transfer bar—which is raised into firing position as the trigger is pulled to the rear—transmits the energy of the hammer blow to the firing pin.

When these revolvers are correctly operated, the cylinder cannot be opened (swung out) when the hammer is cocked, and the hammer/trigger mechanism is not operable until the cylinder is locked in position. However, this safety interlock functions as intended only when the Cylinder Release Button is in its proper position. The safety interlock can be intentionally 'defeated' if the gun user manipulates the Cylinder Release Button and cocks the hammer while the cylinder is out of the frame.

**WARNING: If an attempt is made to move the cylinder into the frame of the revolver while the hammer is cocked, the hammer may fall and discharge a cartridge. The hammer may fall without the trigger being touched by the gun user. NEVER CLOSE OR OPEN THE CYLINDER WHILE THE HAMMER IS COCKED.**

Despite their many highly desirable features, Ruger double action revolvers—as with *all firearms*—must at all times be handled with strict attention to correct safety practices, and be inspected frequently to assure gun is working properly.

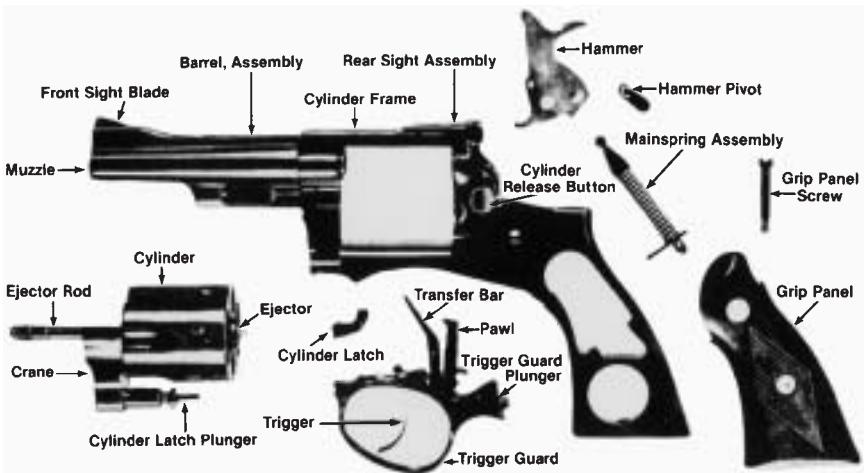


Figure 1

Ruger double action revolver field stripped to basic assemblies

## AMMUNITION

Ruger double action revolvers are marked on the barrel with the name of the cartridge for which the gun is chambered. Be certain to use the correct cartridge. If the barrel is marked "357 Magnum Cal.", the revolver will chamber the 357 Magnum cartridge, and it will also chamber the 38 Special cartridge. If the barrel is marked, "38 Special Cal.", then only the 38 Special cartridge should be used. If the barrel is marked, "9mm Parabellum Cal.", then only the 9mm Parabellum cartridge (also called the 9mm Luger) should be used.

Half-moon cartridge clips are included with each Ruger 9mm revolver. Each clip holds three cartridges. Cartridges can be chambered and fired with or without the clips, but the clips must be used for simultaneous cartridge ejection. If the clips are not used, cartridges or fired cases must be ejected singly using a dowel rod. Half-moon clips not only facilitate positive ejection, but they aid the shooter in effecting rapid and positive reloading of the cylinder.

A small number of early production Ruger 9mm revolvers were equipped with a wire ring ejector. These models will not accept cartridges in a half-moon clip.

**WARNING:** Because 9mm cartridges are manufactured worldwide for use in pistols, revolvers, and submachine guns, it is possible to encounter cartridges which, when fired, develop pierced primers. If this occurs, discontinue the use of the particular brand or type of ammunition. The possibility of a pierced primer is another compelling reason why a shooter should always wear protective glasses to shield his eyes.

**CAUTION:** Use only metal jacketed bullets in 9mm revolvers. When a lead bullet is fired, its base expands and a ring of lead is shaved off and deposited in the shoulder area of the chamber. A build-up of lead rings can prevent proper chambering of cartridges because the mouth of a 9mm cartridge seats on the chamber shoulder. Revolver chambers should be clean. See page 10.

### DANGER—AMMUNITION WARNING

Firearms may be damaged, and death or serious injury to the shooter or other persons may result from any condition which contributes to the generation of excessive pressure, or the uncontrolled release of gas, within a firearm. The foregoing adverse conditions can be caused by *bore or chamber obstructions, propellant powder overloads, or by defective, incorrect, or improperly loaded and assembled cartridge components.*

It is extremely dangerous to use a cartridge whose pressure is greater than that developed by cartridges loaded to Industry Standards. Even the strongest firearm can be blown up as a result of excessive pressure.

### AMMUNITION (CARTRIDGES) NOTICE

WE SPECIFICALLY DISCLAIM RESPONSIBILITY FOR ANY DAMAGE OR INJURY WHATSOEVER OCCURRING IN CONNECTION WITH, OR AS THE RESULT OF, THE USE IN RUGER REVOLVERS OF FAULTY, OR NON—STANDARD, OR "REMANUFACTURED" OR HAND LOADED (RELOADED) AMMUNITION, OR OF CARTRIDGES OTHER THAN THOSE FOR WHICH THE FIREARM WAS ORIGINALLY CHAMBERED.

### BORE OBSTRUCTIONS WARNING

Before loading or firing a revolver examine the bore to be certain it is unobstructed. *Firing a gun with any obstruction in the bore—even a heavy coating of oil, or drops of water—may result in damage to the gun and injury to the shooter and persons nearby.*

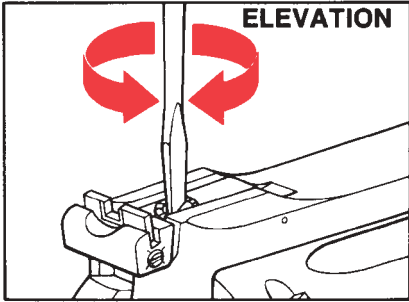
A misfire or unusual sound upon firing is a signal to cease firing and to examine the chambers and bore. If there is any obstruction, clear the obstruction before firing the gun.

## SIGHTS

**FIXED**—Revolvers with fixed sights have been factory-set to a standard hold with the standard loading for the caliber for which the revolver is chambered.

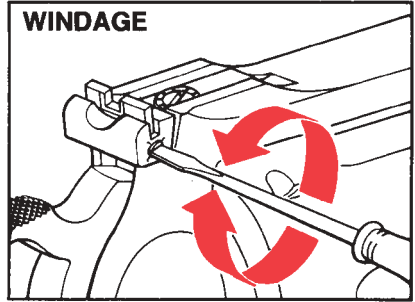
**ADJUSTABLE**—Each click of the sight adjustment screw (either windage or elevation) will move the point of impact of the bullet approximately  $\frac{3}{4}$ " at a range of 25 yards. The height of the front sight has been set to take best advantage of the elevation adjustment in the rear sight, considering the various ranges at which the gun is most likely to be used.

**Figure 2. SIGHT ADJUSTMENTS**



To raise point of impact: turn screw *counterclockwise*.

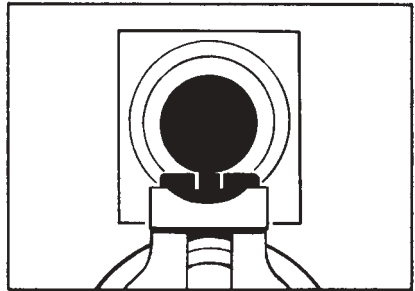
To lower point of impact: turn screw *clockwise*.



To move the point of impact to the *right*: turn screw *counterclockwise*.

To move the point of impact to the *left*: turn screw *clockwise*.

**Figure 3.**  
**SUGGESTED SIGHT PICTURE** ▶



Top of front sight even with top of rear sight blade. Front sight centered in notch of rear sight blade. Target bullseye centered on top of front sight.

**DRY-FIRING:** Be sure that the revolver is unloaded before handling. Be sure of your bullet stop, even when dry-firing for practice. Ruger double-action revolvers can be dry-fired without damage to the firing pin or internal components. Do not dry-fire the revolver with the plastic 'safety disc' on the cylinder.

### LUBRICATION WARNING

Firing a revolver with oil, grease, or any other material even partially obstructing the bore may result in damage to the revolver and injury to the shooter and those nearby.

Do *not* spray or apply lubricants directly on ammunition. If the powder charge of a cartridge is affected by the lubricant, it may not be ignited, but the energy from the primer may be sufficient to push the bullet into the bore where it may become lodged. Firing a subsequent bullet into the obstructed bore may damage the revolver and cause injury to the shooter and those nearby. *Use lubricants properly.* You are responsible for the proper care and maintenance of your firearms.

**CARRYING:** Ruger double action revolvers can be carried with all chambers loaded. When the hammer and trigger are fully forward, the transfer bar is lowered out of its firing position and the hammer rests directly on the frame.

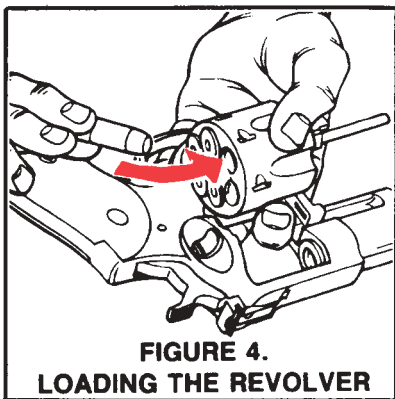
## HANDLING WARNING

**NEVER CARRY ANY REVOLVER WITH THE HAMMER COCKED OR WITH THE TRIGGER HELD TO THE REAR.** If the trigger is held to the rear, the gun can fire if the hammer strikes the transfer bar. Note that it need not be a deliberate effort to pull the trigger. Any situation where the trigger attains its rearward position and permits the transfer bar to be interposed between the hammer and the firing pin can cause the cartridge under the firing pin to discharge.

**NEVER DROP OR STRIKE THE REVOLVER—COCKED OR UNCOCKED—AND CARRY AND HANDLE THE REVOLVER IN SUCH A MANNER THAT THE HAMMER WILL NOT BE STRUCK.**

### TO LOAD AND FIRE:

1. Press the crane latch and guide cylinder out of frame to the left to its loading position (See Figure 4).
2. Insert cartridges and gently close cylinder, making sure it is securely latched. Do not “flip” the cylinder open or shut.
3. The revolver is now ready to fire, either *double-action* by pulling the trigger for each shot, or *single-action* by cocking the hammer and then pulling the trigger for each shot.
4. **DO NOT TOUCH THE TRIGGER UNTIL YOU ARE READY TO FIRE.**



### CAUTION: WHEN FIRING IN THE DOUBLE ACTION MODE,

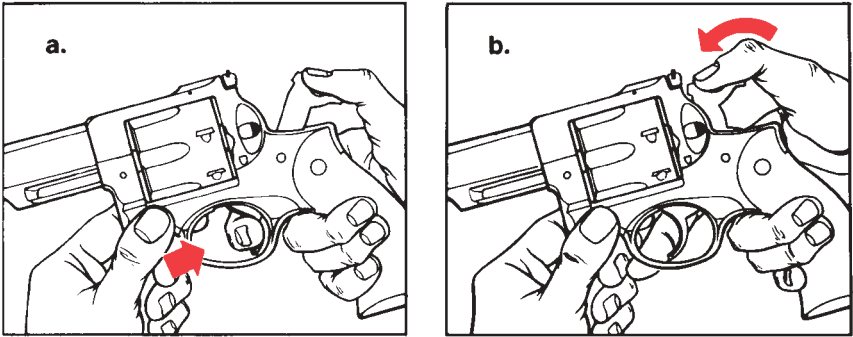
be sure that the trigger is released completely to its fully forward position before attempting to pull the trigger for a subsequent shot. If the trigger finger is allowed to interfere with the full recovery of the trigger (preventing it from moving thru about the last one-eighth inch of its forward movement), the trigger cannot be pulled again for another discharge. The trigger must be *fully* released after each shot is fired. This characteristic is found in all modern double action revolvers.

### TO 'UNCOCK' (DECOCK) THE REVOLVER:

If your revolver is cocked, and you wish to let the hammer down to its forward position (against the frame), proceed as follows: **USE EXTREME CARE WHEN ATTEMPTING TO DECOCK THE REVOLVER, AS THE THUMB SLIPPING DURING THIS PROCESS CAN RESULT IN AN ACCIDENTAL DISCHARGE IF THE TRIGGER IS HELD TO THE REAR.**

1. Make certain that the revolver is pointing in a safe direction.
2. Make certain both hands are dry and not impeded in any way—gloves, bandages, cold, etc.
3. Grasp the revolver (if right handed) so that the thumb and forefinger of your left hand are firmly holding the frame, forward of the trigger guard. Thus, your left hand is in full control of the revolver (See Figure 5a).
4. Place your right thumb firmly on the hammer spur and, with your thumb securely in control of the hammer, squeeze the trigger only enough to permit the hammer to “break free” of the trigger. At that instant, **IMMEDIATELY RELEASE THE TRIGGER** and then slowly permit the hammer, **STILL SECURE UNDER YOUR THUMB**, to move forward to its resting position against the frame. **NOTE:** It is imperative that finger pressure be removed from the *trigger* just as soon as it is free of the hammer. Then, properly, the trigger and hammer will move towards their forward rest positions together (See Figure 5b).

Practice this important gun handling skill with an unloaded revolver until you have developed the proper control and 'touch' to decock your revolver safely. The key to safe decocking is having the weight of the revolver controlled with one hand, while the thumb and forefinger of the 'shooting hand' control the hammer and trigger.



**Figure 5. UNCOCKING THE REVOLVER**

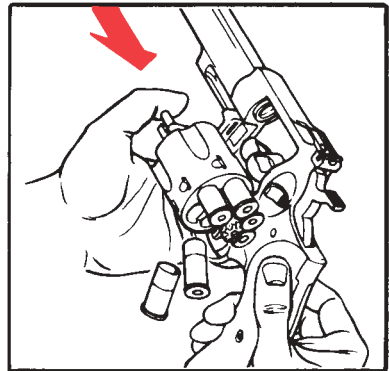
- a. With the thumb controlling the hammer as shown above, squeeze trigger to permit hammer to 'break free'.
- b. When hammer is free, **IMMEDIATELY** release trigger. Then lower hammer slowly to its resting position against frame.

### **TO UNLOAD OR EJECT CARTRIDGE CASES:**

1. Uncock the revolver.
2. Press crane latch and guide cylinder out as for loading.
3. Push head of ejector rod smartly toward rear of cylinder until it stops. This action will eject cartridges or fired cases. Do not eject live cartridges onto any surface where a primer might strike a solid object and discharge the cartridge (See Figure 6).

**FIGURE 6.  
EJECTING CARTRIDGES**

NOTE: When ejecting fired cartridge cases, position the revolver at a high angle so the cases will come fully out of the chambers and not slip under the ejector. This high angle positioning is not necessary when ejecting unfired cartridges.



### **FIRING WARNING**

When firing any revolver, be sure all persons are a safe distance to the rear of the shooter. When fired, all revolvers discharge gas and particles through the clearance gap between the cylinder and the rear of the barrel. These particles of lead, powder grains or lubricant are projected broadly sideways at high speed and thus can injure a person who is standing too close to the revolver.

When firing any revolver, always be certain that nothing—including either of your hands—is in the path of the hot gas and particles which are discharged from the front and sides of the cylinder.

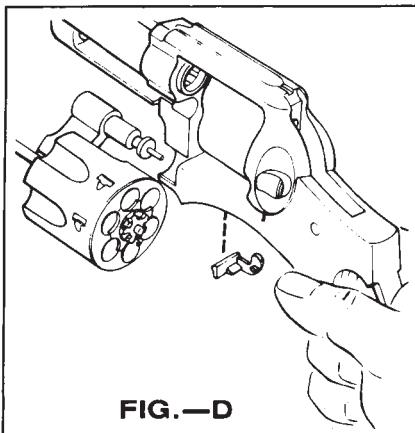
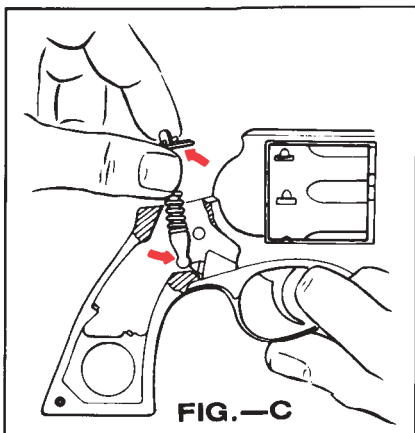
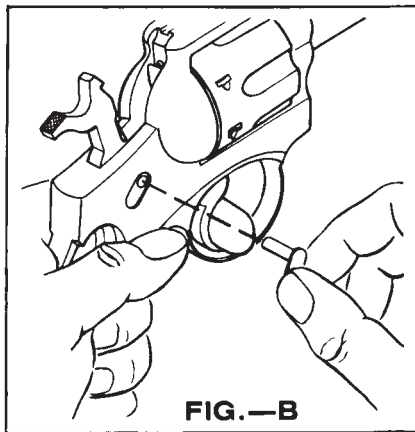
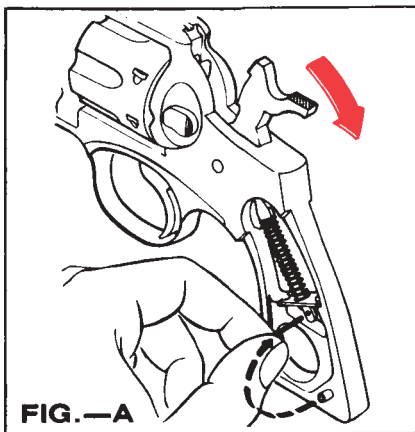
When shooting, adequate eye protection is essential. Shooters and bystanders must wear shooting glasses. Hearing protection must also be worn. Exposure to shooting noise can damage hearing.

## DISASSEMBLY — REASSEMBLY WARNING

Never clean, lubricate, disassemble or work on a revolver while it is loaded. Never install or remove a loaded cylinder. A loaded cylinder can discharge if dropped or struck. Read instructions before disassembling gun.

### DISASSEMBLY:

1. Be certain the revolver is unloaded and the cylinder is closed before starting disassembly.
2. Using a properly fitting screwdriver, remove grip screw and lift grip panels from frame.
3. Cock the hammer. Insert disassembly pin about one half its length into the hole at the lower end of the mainspring strut. (The disassembly pin is carried in the hole in the grip panel locator.) Lacking a disassembly pin, any similar implement will serve (See Figure A).
4. With thumb on hammer spur, squeeze trigger allowing hammer to go fully forward. Lift out the mainspring assembly. **CAUTION:** Do not remove the disassembly pin until the mainspring assembly is reinstalled in the revolver at the time of reassembly.
5. Pull trigger and remove (push out) hammer pivot while holding trigger in rearward position (See Figure B).
6. Lift hammer out of frame while trigger is in rearward position.





7. Use mainspring assembly to depress trigger guard lock plunger located inside frame at rear of trigger guard (See Figure C). Simultaneously pull out and remove trigger guard assembly. Note: If you cannot apply sufficient force (to depress the plunger) using the mainspring assembly as a "tool", then use a screwdriver of appropriate size.

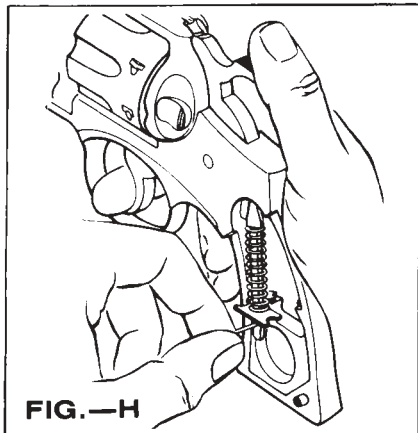
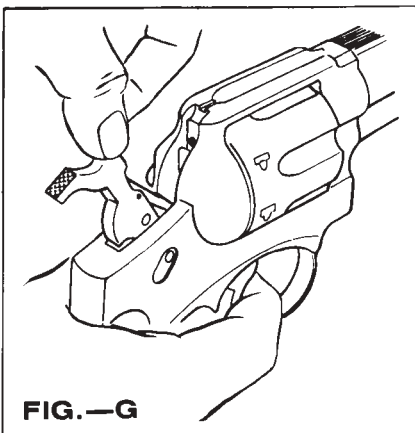
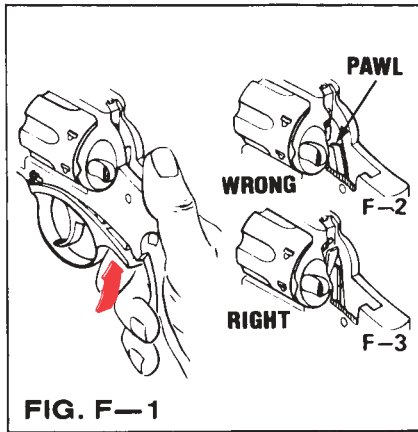
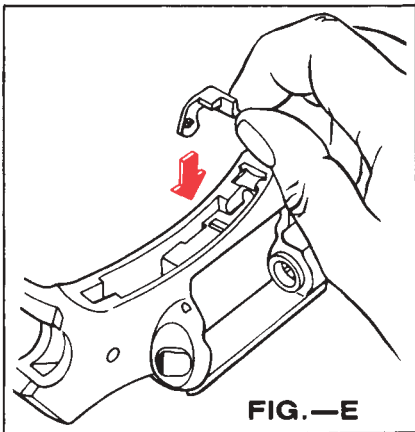
8. Cradle the revolver frame in your left hand and, with the thumb of your right hand, press the cylinder release button, swing out the cylinder assembly and move it forward, thus removing it from the frame. The cylinder latch will drop from the frame into the palm of your hand (See Figure D).

9. Disassembly is now complete and further disassembly is not recommended, and is not required for general cleaning and maintenance.

### REASSEMBLY:

1. Install cylinder latch (See Figure E). Install and close cylinder. Note: An alternate procedure for this step is to first install the cylinder and then install the cylinder latch by pressing the forward portion of the latch against the cylinder latch plunger, until the latch is seated.

2. Hook *front* of trigger guard into recess in frame (See Figure F-1). Align pawl in its recess in frame, by pulling the trigger slightly. (See Figures F-2 and F-3). Be sure that the *transfer bar* is in correct position in *rear* of firing pin (Figure F-3). Snap trigger guard shut. If solid resistance is felt or trigger guard will not shut, check position of pawl and transfer bar. After it is certain that the trigger guard is properly positioned and seated, it may be necessary to rap (with wood or plastic screwdriver handle) on the portion of the trigger guard behind the guard bow. This rap will fully seat the trigger



guard assembly. Note: At this point of reassembly, trigger will function to rotate lock the cylinder if the trigger guard has been installed correctly. Pull the trigger a times to check functioning.

3. Hold trigger in its rearward position and insert hammer into frame. Install hammer pivot (See Figure G). Release trigger and permit hammer to go fully forward.

4. With hammer forward, insert mainspring assembly into frame. Position the notches of the mainspring seat into the matching projections of the grip frame. (Note: The larger notch of the mainspring seat positions on the projection at the inside of the grip frame.) Hold mainspring assembly in position and cock hammer. It may be necessary to move the mainspring assembly a little to properly position the upper end of the mainspring strut to rest in its recess in the hammer. When the hammer is cocked, disassembly pin can be removed (it will fall free).

5. Squeeze trigger and ease hammer down. Place left grip panel in position on frame. Put disassembly pin in its 'nest' (see Figure A). Place right grip panel in position and install and tighten grip panel screw.

6. Open and close cylinder. Function the trigger and hammer single action and double action to be certain all parts are working properly.

## CARE AND CLEANING

*Always be certain the revolver is unloaded before cleaning.* The revolver's internal mechanism can be lubricated without disassembly. A few drops of light oil recommended as suitable for firearms, applied periodically about the various frame openings, will work its way into the mechanism parts. The exterior of the revolver should be cleaned with a solvent and then wiped with an oily cloth if the gun is to be stored. Swab the bore and chambers with an oily patch, followed by a clean, dry patch *not apply excess lubrication.*

To clean the revolver after firing, swing the cylinder out and clean the barrel from the muzzle by running a cleaning rod with a solvent coated patch through the barrel several times. A .38 caliber bronze wire brush attached to the cleaning rod should be pushed the full length of the bore several times. Again swab the bore with a solvent coated patch. Then wipe the rod clean and, using a dry patch, swab the bore until clean. Examine the bore to be sure that no fouling remains. Repeat the above procedure for each of the six chambers.

It is well known that some 357 Magnum cartridges with lead bullets tend to deposit metal fouling in the chamber throats, in the forcing cone of the barrel (area) and in the bore. If 'leading' is noted in your revolver, clean it out before it builds up and interferes with reliable functioning and accuracy. A special 'lead removing' cleaning tool (for bore and chambers) is available from gun stores.

*Do not* keep your revolver in a leather, fabric or canvas holster when it is stored. These materials attract moisture, even though the holster may appear to be perfectly dry.

At regular intervals, or when the revolver has been exposed to sand, water or other adverse condition, disassemble it and clean and oil it as described above. The Revolver's ease of disassembly and reassembly is designed to encourage proper maintenance. (See Lubrication Warning on Page 5.)

## CARE OF STAINLESS STEEL REVOLVERS

Revolvers made of stainless steel are more resistant to corrosion than blued steel revolvers. However, in the interest of proper operation and long life of your revolver inspect it frequently and clean, lubricate and apply an appropriate rust preventative as required.

Sometimes surface discoloration may be noted, particularly in the grip area of stainless steel revolvers, resulting from perspiration. Contact with some types of holsters can also cause stains or rusting. Rusting may also occur as a result of the revolver being exposed to moisture, humidity, salt air or chemicals.

Minor discoloration can usually be removed by rubbing the stained area with an abrasive ink eraser, crocus cloth, or a "metal polishing" compound. When using any of these abrasives, proceed with care and use light pressure to achieve a blend in 'color' with those areas that are not discolored.

External surfaces of the barrel, frame and cylinder—the components most susceptible to rusting from handling, or from exposure to the elements—should be cleaned and wiped dry after use or after exposure to adverse conditions. If the revolver is to

stored, coat it with a light film of oil or preservative. Where the revolver is in continuing use, and the presence of oil or grease would be objectionable, then the external surfaces can be coated (after cleaning and drying) with a paste wax formulated for use on metals. Apply the wax sparingly, allow time for it to dry hard, then buff lightly with a soft cloth. When applying the wax, take care that it does not get into the mechanism or on the functioning parts such as the hammer, trigger, crane latch, etc. A properly applied hard wax coating will not interfere with comfortable gun handling and it will provide a measure of protection against the formation of rust or discoloration.

## SERVICE AND PARTS POLICY

If you have any question with regard to the performance of your revolver, please write to our Newport, New Hampshire Service Department, fully describing all circumstances and conditions involved.

If you should return your revolver to the factory for repair, or order parts for it, please comply with the following suggestions for prompt service:

### PARTS:

1. All parts orders for double action revolvers should be sent to:  
Sturm, Ruger & Company, Inc., Service Department  
Newport, New Hampshire 03773
2. Send payment with orders for parts. Orders for less than \$1.00 not accepted.
3. Order by Part Name *and* Part Number.

4. **IMPORTANT—REGARDING PARTS ORDERING.** Security-Six, Police Service-Six and Speed-Six revolvers are manufactured in Blued steel and Stainless steel versions. **WHEN ORDERING PARTS BE SURE TO STATE WHETHER YOUR REVOLVER IS BLUED OR STAINLESS. ALSO, INCLUDE THE COMPLETE SERIAL NUMBER AND SPECIFY THE GUN MODEL (Security-Six, Police Service-Six or Speed-Six.)**

5. Barrels, cylinders, cylinder/crane assemblies and other parts designated by an asterisk (\*) must be fitted at the factory. Company policy is to proof-test with Industry Proof Loads all cylinders and barrels after fitting to the firearms in which they are to be used.

6. Because it is a serial-numbered component, the frame of the revolver is defined as a “firearm” by Federal law and is not offered for sale separately.

### FIREARMS:

1. Double action revolvers returned for repair should be sent to:  
Sturm, Ruger & Company, Inc., Service Department  
Newport, New Hampshire 03773

2. Revolvers must be shipped prepaid. *We will not accept collect shipments.*

The Federal Gun Control Act, as well as the laws of most States and localities, does not prohibit an individual (who is not otherwise barred from purchasing or possessing a firearm) from shipping a firearm directly to the manufacturer for repair. However, before shipping your revolver to us, be certain your State or locality does not have a law or regulation which will prohibit you from receiving the revolver from us after it has been repaired. If such receiving is prohibited, then please have a Federally Licensed Firearms dealer ship the gun to us. If your gun is sent to us by a dealer, it will be returned to him after being repaired. If a handgun is shipped by an individual who does not hold a Federal Firearms License, it *must* be shipped via UPS. Persons who do not hold a Federal Firearms License are prohibited by Federal law from shipping a handgun by mail. Handguns mailed in violation of the law are impounded by the Post Office.

3. Enclose a letter which includes your name, address, telephone number, and serial number and model of the firearm. Describe the trouble you have experienced with your revolver, or the work you wish to have done. Merely stating that the revolver “needs repair” is inadequate information. State precisely what is wrong. Please enclose copies of any previous correspondence.

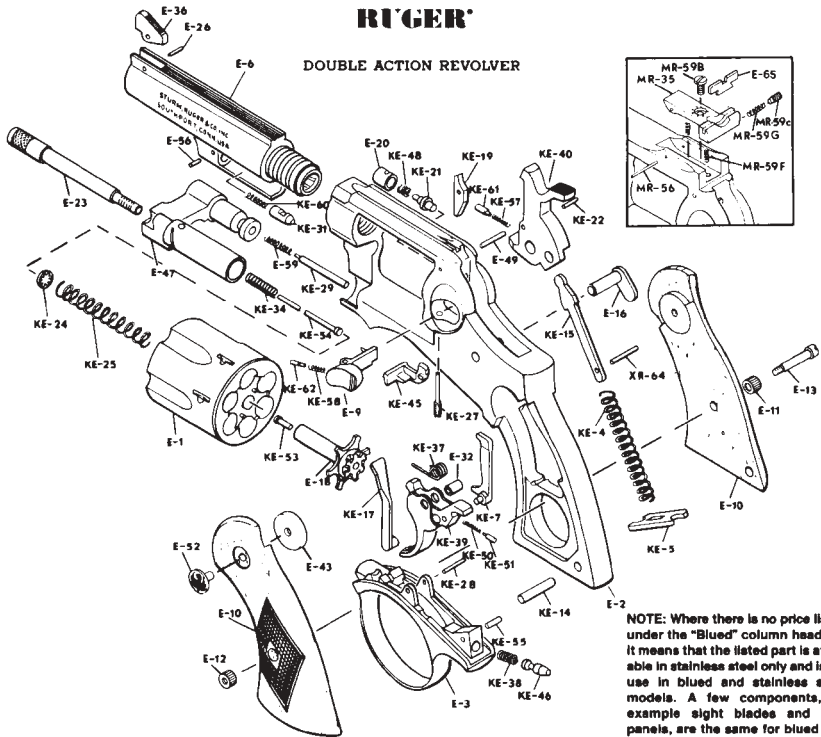
4. Work performed will bear a net minimum labor charge of \$5.00.

5. **WARNING:** *Before shipping any firearm, be absolutely certain that it is unloaded.*

6. Please do *not* send your holster, custom grip panels, or other accessories with any revolver being shipped to us.

# RUGER

## DOUBLE ACTION REVOLVER



NOTE: Where there is no price listed under the "Blued" column heading, it means that the listed part is available in stainless steel only and is for use in blued and stainless steel models. A few components, as example sight blades and grip panels, are the same for blued and stainless models.

### WARNING TO PARTS PURCHASERS

*It is the purchaser's responsibility to be absolutely certain that any parts ordered from the factory are correctly fitted and installed. Firearms are complicated mechanisms and IMPROPER FITTING OF PARTS MAY RESULT IN A DANGEROUS MALFUNCTION, DAMAGE TO THE FIREARM, AND INJURY TO THE SHOOTER AND OTHER PERSONS. The purchaser and installer of parts must accept full responsibility for the correct adjustment and functioning of the revolver after such installation.*

**IMPORTANT:** When ordering parts **BE SURE TO STATE WHETHER YOUR REVOLVER IS BLUED OR STAINLESS STEEL. ALSO, SPECIFY WHETHER IT IS A SECURITY-SIX, POLICE SERVICE-SIX OR SPEED-SIX.** Order by Part Name and Part Number. See page 14 for additional information on parts.

Part No.	Part Name	Suggested Retail Price	
		Blued	Stainless
E-6	*Barrel (Specify 2 3/4", 4" or 6")	\$33.75	\$45.50
E-47	*Crane/Crane Pivot Assembly	14.50	14.75
E-1	*Cylinder	44.25	54.50
KE-53	Cylinder Center Lock Pin		1.00
KE-54	Cylinder Center Pin Rod		.50
KE-34	Cylinder Center Pin Spring		.50
KE-45	Cylinder Latch		3.25
KE-29	Cylinder Latch Plunger	.50	.50
E-59	Cylinder Latch Spring	.50	.50
E-9	Cylinder Release Button	4.00	4.25
KE-27	Cylinder Release Pivot	.50	.50
KE-58	Cylinder Release Spring		.50
KE-62	Cylinder Release Spring Plunger		.50

Part No.	Part Name	Suggested Retail Price	
		Blued	Stainless
XR-64	Disassembly Pin	.50	.50
E-18	*Ejector	8.50	10.50
E-23	Ejector Rod	3.50	3.50
KE-24	Ejector Rod Washer		.50
KE-25	Ejector Spring		.50
KE-21	Firing Pin		.50
KE-48	Firing Pin Rebound Spring		.50
KE-31	Front Latch	.75	.75
E-56	Front Latch Cross Pin	.50	.50
KE-60	Front Latch Spring		.50
E-36	Front Sight Blade (Specify Bbl. Length)	1.50	1.50
E-36-1	Front Sight Blade w/Red Insert. Fits adjustable sight models only. Specify barrel length and serial number.	3.50	3.50
E-26	Front Sight Cross Pin	.50	.50
E-43	Grip Panel Boss	ea. .50	ea. 50
E-10LR	Grip Panels (Sold in pairs only.)	13.25	13.25
E-10SLR	Grip Panels, Round Butt (Sold in pairs only.)	13.50	13.50
RLG	Grip Panels, Square Butt, OVERSIZED. (Will not fit revolvers with serial number prefix 150-, or Speed Six.) (Sold in pairs only.)	22.00	22.00
E-12	Grip Panel (Left) Ferrule	.50	.50
E-11	Grip Panel (Right) Ferrule	.50	.50
KE-14	Grip Panel Dowel		.50
E-13	Grip Panel Screw		.50
KE-40AR	Hammer (Spurless)		9.00
KE-40	Hammer (With Spur)		9.00
KE-19	Hammer Dog	.50	.50
KE-22	Hammer Dog Pivot Pin	.50	.50
KE-57	Hammer Dog Spring		.50
KE-61	Hammer Dog Spring Plunger		.50
E-16	Hammer Pivot Assembly	1.25	1.25
KE-15	Hammer Strut		.75
KE-4	Mainspring		.50
KE-5	Mainspring Seat		.50
E-52	Medallion	ea. .50	ea. .50
KE-7	Pawl		3.75
KE-51	Pawl Plunger		.50
KE-50	Pawl Spring		.50
MR-35	Rear Sight Assembly Complete	5.75	5.75
MR-35W	Rear Sight Assembly Complete with White Outline Blade	6.25	6.25
E-65	Rear Sight Blade	.50	.50
E-76W	Rear Sight Blade with White Outline	2.75	2.75
MR-59B	Rear Sight Elevation Screw	.50	.50
MR-59F	Rear Sight Elevation Spring	.50	.50
MR-56	Rear Sight Pivot Pin	.50	.50
MR-59C	Rear Sight Windage Screw	.50	.50
MR-59G	Rear Sight Windage Spring	.50	.50
E-20	*Recoil Plate	.50	.75
E-49	Recoil Plate Cross Pin	.50	.50
KE-17	Transfer Bar	2.50	2.50
KE-39	Trigger		8.00
E-32	Trigger Bushing	.50	.50
KE-28	Trigger Pivot Pin	.50	.50
KE-37	Trigger Spring		.50
E-3	Trigger Guard (only) Sold in the white only unless fitted at factory.	14.00	16.00
KE-46	Trigger Guard Plunger	.50	.50
KE-55	Trigger Guard Plunger Cross Pin		.50
KE-38	Trigger Guard Plunger Spring		.50
9-HMC	Half moon clips for cartridges (per dozen)	2.75	2.75

**IMPORTANT PARTS INFORMATION ON NEXT PAGE (14)**

\*Part must be installed at factory. (Plus \$5.00 *minimum* net labor charge.)  
All parts are factory replaced on an exchange basis only.  
**WARNING: Firearms users are cautioned that a gun containing modified, broken, malfunctioning or badly worn parts should not be fired!**

## THE BASIC RULES OF SAFE FIREARMS HANDLING

We believe that Americans have a right to purchase and use firearms for lawful purposes. The private ownership of firearms in America is traditional, but that ownership imposes the *responsibility* on the gun owner to use his firearms in a way which will ensure his own safety and that of others. When firearms are used in a safe and responsible manner, they are a great source of pleasure and satisfaction, and represent a fundamental part of our personal liberty.

Firearms do not cause accidents! Firearms accidents are almost always found to have been the result of carelessness, or ignorance on the part of the shooter of the basic rules of safe gun handling.

The following rules must be observed by gun users at all times. Safe gun handling is not just desirable, it is absolutely essential to the continuation of gun ownership and sport shooting as we know it today.

**1. LEARN THE MECHANICAL AND HANDLING CHARACTERISTICS OF THE FIREARM YOU ARE USING.** Not all firearms are the same. The method of carrying and handling firearms varies in accordance with the mechanical provisions for avoiding accidental discharge and the various proper procedures for loading and unloading. No person should handle any firearm without *first* having thoroughly familiarized himself with the particular type of firearm he is using, and with safe gun handling in general.

**2. ALWAYS KEEP THE MUZZLE POINTED IN A SAFE DIRECTION.** Be sure of the bullet stop behind your target, even when dry-firing. Never let the muzzle of a firearm point at any part of your body or at another person. This is particularly important when loading or unloading a firearm. In the event of an accidental discharge, no injury can occur as long as the muzzle is pointing in a safe direction. A safe direction means a direction which will not permit a discharged bullet to strike a person, or to strike an object from which the bullet may ricochet. A safe direction must take into account the fact that a bullet may penetrate a wall, ceiling, floor, window, etc., and strike a person or damage property. Make it a habit to know exactly where the muzzle of your gun is pointing whenever you handle it, and be sure that you are always in control of the direction in which the muzzle is pointing, even if you fall or stumble.

**3. FIREARMS SHOULD BE UNLOADED WHEN NOT IN USE.** Firearms should be loaded only when you are in the field or on the target range or shooting area, ready to shoot. Firearms and ammunition should be securely locked in racks or cabinets when not in use. Ammunition should be safely stored *separate* from firearms. Store your firearms out of sight of visitors and children. It is the gun owner's *responsibility* to be certain that children and persons unfamiliar with firearms cannot gain access to firearms or ammunition.

**4. BE SURE THE BARREL IS CLEAR OF OBSTRUCTIONS BEFORE SHOOTING.** Even a bit of mud, snow or excess lubricating oil or grease in the bore may cause the barrel to bulge, or even burst on firing, and can cause injury to the shooter and bystanders. Be sure that you are using ammunition of the proper caliber and loading for the gun you are using. If the report or recoil on firing seems weak, or doesn't seem quite right, CEASE FIRING IMMEDIATELY and check to be sure that no obstruction has become lodged in the barrel.

**5. BE SURE OF YOUR TARGET BEFORE YOU SHOOT.** Don't shoot unless you know exactly where your bullet is going to strike. Be sure of the bullet stop behind your target, even when dry-firing with an unloaded gun. If you are in the field hunting, do *not* fire at a movement or noise. Take the time to be *absolutely certain* of your target before you pull the trigger.

**6. WEAR SHOOTING GLASSES AND HEARING PROTECTORS WHEN YOU SHOOT.** All shooters should wear protective shooting glasses and some form of hearing protectors when shooting. Exposure to shooting noise can damage hearing, and adequate vision protection when shooting is essential.

**7. NEVER CLIMB A TREE OR FENCE WITH A LOADED FIREARM.** Put the firearm down carefully before climbing a fence, and *unload* it before climbing or descending a tree or jumping over a ditch or other obstruction. Never pull or push a loaded firearm toward yourself or another person. When in doubt, unload your gun!

**8. DON'T SHOOT AT A HARD SURFACE, OR AT WATER.** Bullets can glance off many surfaces like rocks or the surface of water and travel in unpredictable directions with considerable velocity.

**9. NEVER TRANSPORT A LOADED FIREARM.** Firearms should always be unloaded before being placed in a vehicle. A suitable carrying case or scabbard should be used to carry a firearm to and from the shooting area.

**10. AVOID ALCOHOLIC BEVERAGES WHEN SHOOTING.** Don't drink until the day's shooting is over. Handling firearms while under the influence of alcohol in any form constitutes a criminal disregard for the safety of others.

## **WHY NO WARRANTY CARD HAS BEEN PACKED WITH THIS NEW RUGER FIREARM**

The Magnuson-Moss Act (Public Law 93-637) does not require any seller or manufacturer of a consumer product to give a written warranty. It does provide that if a written warranty is given, it must be designated as "limited" or as "full" and sets minimum standards for a "full" warranty.

Sturm, Ruger & Company, Inc. has elected not to provide any written warranty either "limited" or "full", rather than to attempt to comply with the provisions of the Magnuson-Moss Act and the regulations issued thereunder.

There are certain implied warranties under state law with respect to sales of consumer goods. As the extent and interpretation of these implied warranties varies from state to state, you should refer to your state statutes.

Sturm, Ruger & Company wishes to assure its customers of its continued interest in providing service to owners of Ruger firearms.



**STURM, RUGER & Company, Inc.**  
**Southport, Connecticut 06490**  
**U.S.A.**

ALL RUGER FIREARMS ARE DESIGNED AND MANUFACTURED  
IN RUGER FACTORIES IN THE UNITED STATES OF AMERICA

## **A BRIEF ACCOUNT OF AN EXTRAORDINARY ACHIEVEMENT: RUGER FIREARMS**

One of the few American firearms manufacturers whose management has remained unchanged since starting in business, Sturm, Ruger & Company, Inc., had its beginning in a small machine shop occupying a rented frame building in Southport, Connecticut. In January, 1949, with an initial investment of only \$50,000 and an idea, William B. Ruger and Alexander M. Sturm started production of a .22 caliber automatic pistol—a design which was so successful that it became the cornerstone upon which one of the most comprehensive lines of sporting firearms ever made in America was established. After Alex Sturm's death in 1951, William B. Ruger continued to direct the company alone and today, as President and Chairman of the Board, he is actively involved in the creative engineering of new products and continues to provide the leadership which has made this 35 year old company a sound and successful enterprise.

Sturm, Ruger & Company, in this relatively short time, has established itself as a leading small arms design organization, developing a unique and broad line of fine quality sporting, military and police firearms to become one of the world's most famous producers of revolvers, pistols, rifles and shotguns.

The Southport factory and the Newport factory and foundry complex together now comprise over 300,000 square feet of space. From a work force composed of a handful of individuals in 1949, both Southport and Newport facilities together now employ more than 1,400 people. From 1949 thru 1983, Ruger craftsmen have built more than nine million firearms.

During its three decades of growth and progress under the leadership of William B. Ruger, the company has developed a business philosophy and implemented policies which represent a constructive influence in the life of modern America. From the beginning, Sturm, Ruger & Company played a positive role in conservation efforts and has supported the interests of its customers through its membership and participation in the programs of the National Rifle Association, National Shooting Sports Foundation, and many regional sportsmen's organizations. The company has always endeavored to market its firearms for constructive or recreational purposes, to emphasize the traditional aspects of shooting, to render meaningful public services and to encourage shooters in constructive and responsible participation in the shooting sports.

Today, Sturm, Ruger & Company is particularly mindful of those elements which have contributed to the creation of its success, and extends heartfelt thanks to its many loyal employees and customers.

