

SP1822 INSTRUCTION MANUAL



Sabatti

READ AND UNDERSTAND THIS BOOK
BEFORE USING YOUR NEW FIREARM

EUROPEAN AMERICAN ARMORY
P.O. Box 3498 Bright Stallion, Hialeah FL 33013



IF YOU WON'T READ THIS OWNER MANUAL AND HEED THE WARNINGS AND INSTRUCTIONS,
PLEASE DON'T BUY THE GUN

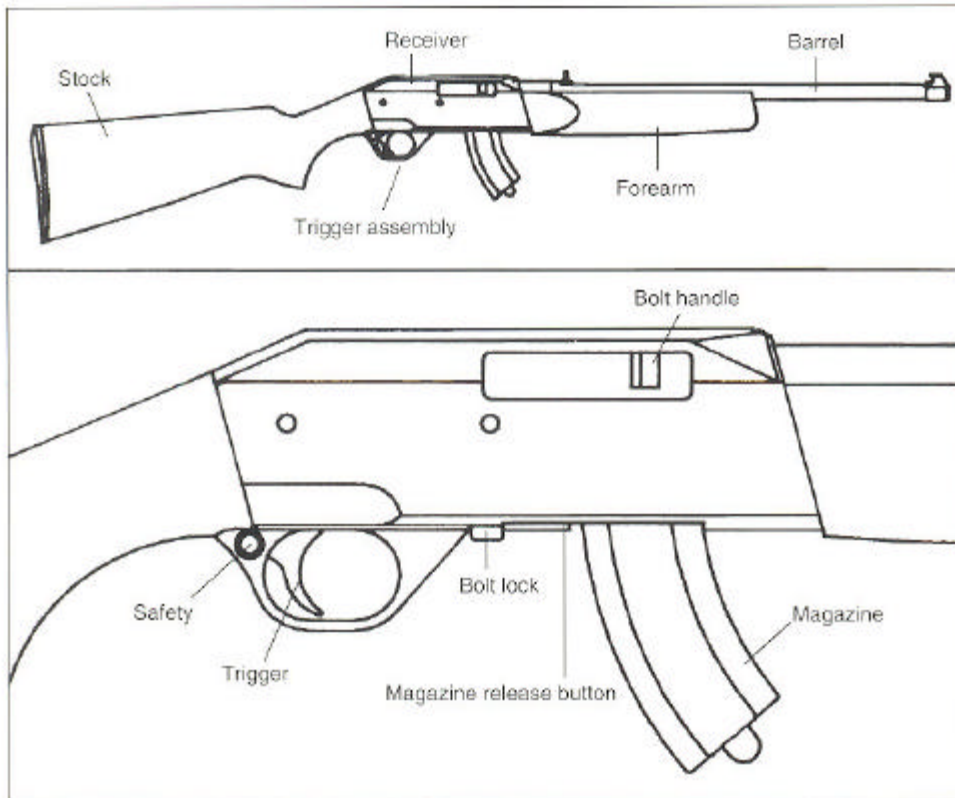
YOU NEED TO READ

10 LIFE SAVING WARNINGS:

1. Removing the magazine from the rifle does not mean that the gun is empty or unloaded or not able to fire... If a round is in the chamber, **THIS RIFLE CAN BE FIRED WITH THE MAGAZINE IN OR OUT.**
2. Always point the muzzle of any firearm in a safe direction whether the gun is loaded or unloaded...
3. No hands over the muzzle. No way. No time. No how...
4. Only use 22 rimfire long rifle ammunition, manufactured to industry standard... Do not use long rifle cartridge with blunt nose or sharp shoulder bullets, which can interfere with smooth and reliable feeding. A cartridge that is not fully chambered may discharge and could cause injury to the shooter or those near by. If the cartridge does not feed do not force it, there is a reason. Determine the reason before continuing...
5. Never alter your rifle or allow anyone not connected with or authorized to represent the manufacture to modify, change, or adjust any of the working part of your gun...
6. Learn to clean your rifle and to inspect it regularly... Any obstruction in the rifle barrel is very dangerous. Small bits of cartridge or mud or snow or dirt or water or oil in the barrel before firing can cause great injury to shooter and observers as well as irreparable damage to the gun...
7. Wear ear protection and eye protection whenever you shoot your rifle or you are around other people using firearms. **YOU ONLY GET ONE SET OF EYES AND EARS...**
8. Treat every gun as if it is loaded...
9. 22 Long Rifle ammunition has a sensitive priming compound distributed around the inside rim of the cartridge. Never force a cartridge into the chamber, a 22 Long Rifle cartridge can cause great harm if detonated outside the chamber...
10. Your gun can not think... You must be alert and thoughtful at all times to insure your safety and safety of people and property near you... No drugs... No drinking... No horse play... Never shoot a 22 Long Rifle cartridge at water or a hard surface, bullet will ricochet...

EUROPEAN AMERICAN ARMORY
P.O. Box 3498 Bright Station, Hialeah, FL 33013

SP1822 GENERAL INFORMATION DRAWING



WARNING!

This gun was manufactured to perform properly with the original parts as designed. It is your duty to make sure any parts you buy are installed correctly and that neither replacements nor originals are altered or changed. Your gun is a complex tool with many parts that must relate correctly to other parts. Putting a gun together wrong or with modified parts can result in a damaged gun, danger, and injury or death to you and others through malfunction. Always let a qualified gunsmith work on your gun or at least check any work not performed by a gunsmith. We at EAA think this is a small price to pay for firearms safety.

GENERAL INFORMATION

The SP1822 is chambered for the .22 Long Rifle cartridge. This recoil operated rifle works in general as follows. With the magazine in place as the operator retracts the bolt handle, the bolt forces the hammer back and down, and compresses the recoil spring. The sear catches and holds the hammer at full cock. The magazine spring forces the cartridges up and the top one is held by the lips of the magazine. Releasing the bolt handle, permits the recoil spring to assert itself and drive the bolt forward, the face of the bolt is machined to permit it to strip a cartridge from the top of the magazine and drive it into the firing chamber. The extractor on the right of the bolt snaps over the rim and its spring drives it against the rear of the firing pin. The front end of the firing pin strikes the cartridge case rim and ignites the cartridge. As the bullet goes down in the barrel, the rearward thrust of the gases, within the cartridge case, forces the head of the case back against the spring-held bolt, extractor, until the case strikes against a step, rising from the magazine, acting as ejector. At the same time the hammer is cocked, the recoil spring compressed and the magazine spring forces a new cartridges up etc., as described above. This action is repeated each time the trigger is pressed, until the weapon is empty. If the trigger is pressed the rifle will continue to fire until there is a cartridge in the chamber, whether or not the magazine is fitted. For this reason is not sufficient to remove the magazine to unload the rifle. Never presume the rifle is unloaded.

EXTERNAL CONTROL PARTS

THE BOLT HANDLE pulled manually, drives rearward the bolt. In this way it is possible to remove from the chamber a live round; or, when released, allow the bolt to feed a cartridge.

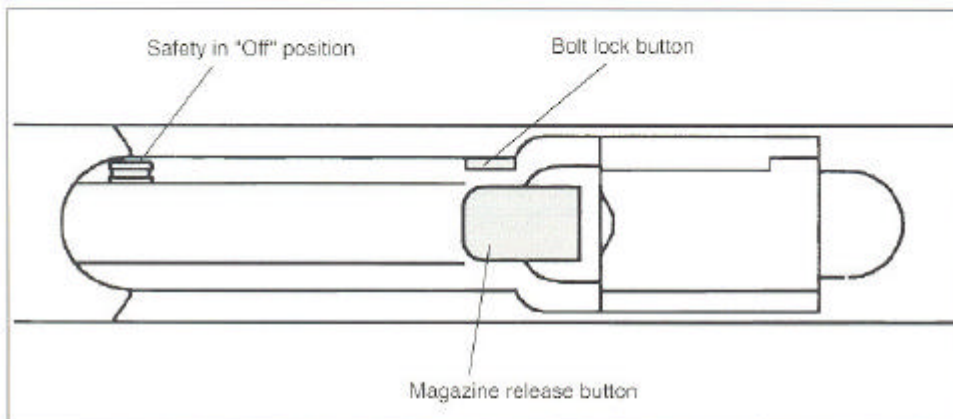
THE BOLT LOCK BUTTON is located on the forward area of the trigger guard. To activate the bolt lock button, move the bolt in the rearward (open) position and while holding the bolt back, depress the bolt lock and release pressure on the bolt handle. Do not put fingers inside the receiver ejection port, to clean the action or remove a defective cartridge, use only appropriate tools. To release the bolt, simply retract the bolt handle: the button will drop down and the bolt will be free to move fully forward.

THE CROSS TRIGGER SAFETY is positioned behind the trigger. The safety should always be in the "SAFE" position except when the gun user is actually firing the rifle. When the safety is in the "SAFE" position (ON position), the red ring on the safety button is not showing and the trigger is locked. When the safety is in the "FIRE" position (OFF position), the red ring on the safety button is showing and the trigger can be moved. **CAUTION:** The safety only blocks the trigger. **NEVER DEPEND ON THE VISUAL COLOR BAND TO DETERMINE IF SAFETY IS "ON" or "OFF".** Cross trigger safety should click into place in the "ON" or "OFF" position. If it does not click into position the gun should be returned for repair. Always check safety position during use

or carry. CAUTION: NEVER DEPEND ON THE MECHANICAL SAFETY TO JUSTIFY POOR HANDLING. ALWAYS POINT THE RIFLE IN A SAFE DIRECTION.

THE MAGAZINE RELEASE BUTTON, permits the removal of magazine. Holding the magazine with a hand, push with the thumb the magazine release button and pull the magazine out from the action.

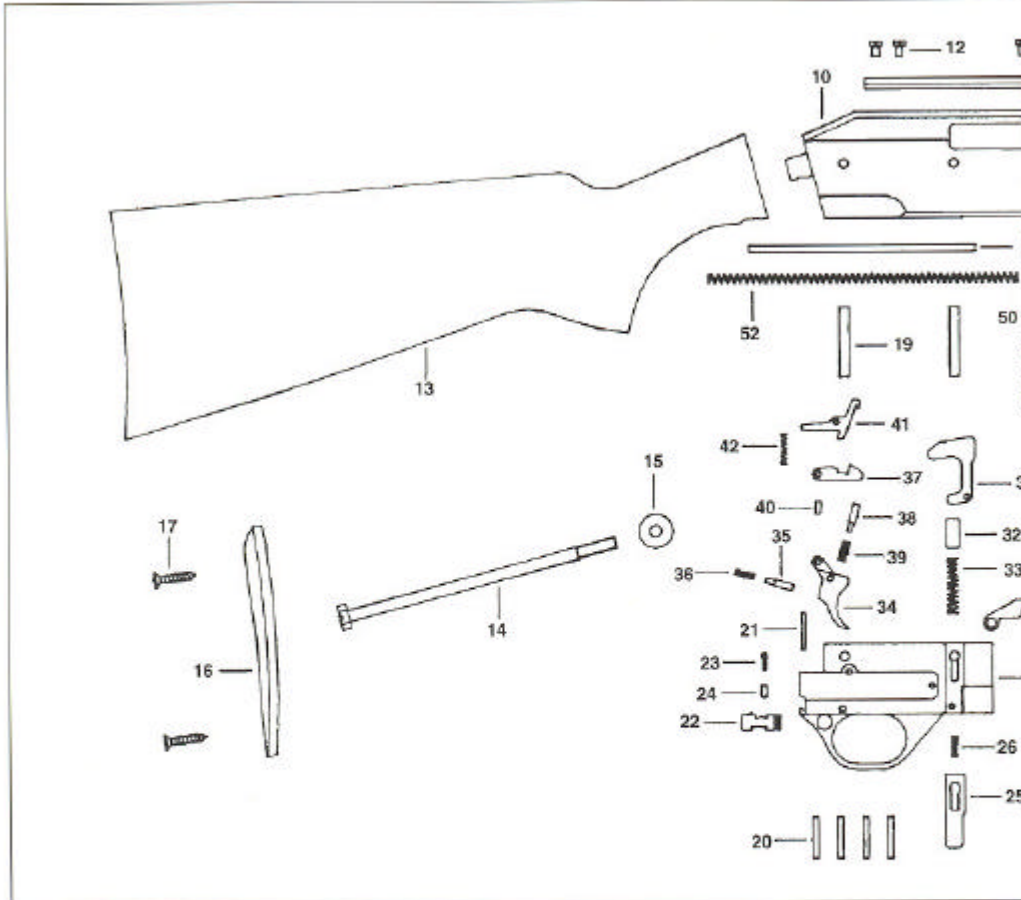
CAUTION: ALWAYS ENGAGE SAFETY BEFORE INSERTING OR REMOVING MAGAZINE.



The underside of the trigger guard section in the rifle. In this illustration the safety is shown in the "OFF" (FIRE) position. The red band indicates the safety is "OFF"

TO LOAD AND FIRE YOUR RIFLE

1. Make sure the rifle is pointed in a safe direction.
2. Inspect the chamber to make sure the gun is unloaded.
3. Move the safety to the "SAFE" position.
4. Lock the bolt to its open position.
5. Remove the magazine.
6. Load the magazine by inserting the cartridges into the magazine top opening.
7. Insert the magazine into the receiver and make sure it is firmly locked by the magazine latch plunger.
8. Release bolt to feed a cartridge. Once a round has been chambered the rifle is fully loaded. If round does not chamber easy do not force it into the chamber. Read the "MALFUNCTIONS" sections and determine the problem.



- CR 01 Barrel
- CR 02 Front sight
- CR 03 Front sight screw
- CR 04 Rear sight
- CR 05 Barrel retainer
- CR 06 Barrel retainer screw
- CR 07 Forearm wood
- CR 08 Forearm bolt
- CR 09 Forearm bolt nut
- CR 10 Receiver
- CR 11 Scope base adapter

- CR 12 Scope base adapter screw
- CR 13 Stock
- CR 14 Stock bolt
- CR 15 Stock washer
- CR 16 Butt plate
- CR 17 Butt plate screw
- CR 18 Trigger guard
- CR 19 Receiver cross pin
- CR 20 Trigger guard pin
- CR 21 Stop safety spring pin

- CR 22 Safety
- CR 23 Safety detent plunger spring
- CR 24 Safety detent plunger
- CR 25 Bolt lock
- CR 26 Bolt lock spring
- CR 27 Magazine latch plunger
- CR 28 Magazine latch plunger spring
- CR 29 Magazine latch
- CR 30 Ejector

-
9. Point the gun at the target and move the safety to the "FIRE" position.
 10. Pull the trigger when ready to fire. Do not touch the trigger unless you are ready to fire and you are sure the rifle is pointed in a safe direction. Each time the trigger is pulled the empty case is ejected and a new round is chambered. The safety should be put on the "SAFE" position all times except when the rifle is on the target and the shooter is ready to fire. Thus the last thing you do before you are sure that you are ready to fire is disengage the safety.

CAUTION: MAKE SURE THE AREA IS SAFE BEFORE YOU SHOOT.

CAUTION: KNOW WHAT IS YOUR TARGET BEFORE PULLING THE TRIGGER.

CAUTION: THE BOLT DOES NOT REMAIN OPEN AFTER LAST SHOT, EXAMINE CAREFULLY THE CHAMBER TO BE SURE THE RIFLE IS EMPTY.

UNLOADING YOUR RIFLE

1. Make sure the rifle is pointed in a safe direction.
2. Move the safety in the "SAFE" position.
3. Remove the magazine by depressing with the thumb the magazine release button.
4. Retract the bolt handle and lock the bolt to its open position.
5. Visibly inspect the chamber to determine it is empty. A safe rifle is a totally empty rifle.
6. Remove the cartridges from the magazine by slightly depressing the round and pushing it forward and out from the magazine. Repeat until the magazine is empty. Never use a loaded cartridge as a tool to strip cartridges from the magazine.
7. Let the bolt return to its closed position.

MALFUNCTIONS (JAMS)

The best way to minimize malfunctions is to take proper care of the gun. Thus keep your rifle cleaned and lubricated avoiding excess lubricant. Learn to operate correctly with the bolt handle and properly load and empty the chamber and the magazine. Fit correctly the magazine without damaging it. Periodically remove grease or dirt from the action, the chamber and the magazine. Clean with care the extractor. Look for abnormal signs of wear. Use only proper ammunition loaded to Industry Specifications. If the mechanism does not function correctly, or if it is damaged, do not use the gun. Have it inspected and repaired.

If a malfunction occurs:

1. Put the safety on the "SAFE" position immediately and make sure the gun is pointed in a safe direction.
2. Determine the problem. For a misfire wait 60 seconds before continuing. (In case of hang fire/slow primer ignition).

3. Slide the bolt back and lock it in place with the bolt lock button.
4. Clear round or empty case that has caused the problem, use a round wooden or strike the primer and ignite a live round. Never let a live round fall onto a hard surface. Do not use damaged cartridges that have been removed from the gun after clearing a jam.
5. After clearing the malfunction, the gun and magazine should be checked, if the malfunction was from the ammo another type should be tried.
6. If the gun is not dirty and the problem continues after trying other ammo, then box up the gun and return it to E.A.A. repair facility.

CAUTION: After any malfunction or jam we strongly recommend that you inspect the cartridge case for split or swelling or bulges. If you determine that the cartridge case is distorted then return the gun to EAA service immediately. It is always good firearms safety to inspect the fired empty case for distortion. Even if the gun is working fine, a distortion of the case could be a sign of a problem down the road.

CAUTION: It is a violation of the federal law to ship a loaded weapon.

SIGHT ADJUSTMENT

(For the rifles equipped with metallic sights only)

To adjust for elevation, move the rear sight slide in the direction you want the point of impact move. Use only a small screwdriver, loosen the screws only slightly so the slide does not to move too freely. The windage adjustment is made by drifting the sight base in its slot. Place a brass rod against the sight base and tap the sight in the direction you wish to move the point of impact.

CARE AND CLEANING

The .22 Long Rifle cartridge deposits particles of bullet lubricant and powder on the action and magazine. Therefore the gun should be cleaned frequently because any semi-automatic firearm functions most reliably when it is free of accumulation of grease and other firing residues.

CAUTION: Make sure the rifle and magazine are unloaded before cleaning.

1. Follow unloading instructions.
2. Lock bolt back.
3. Obtain 22 calibre cleaning kit.
4. Clean bore with cleaning rod and brushes and patches.
5. Spray action with gun solvent, with out magazine in gun. Blow out solvent from action with air.
6. Spray action with light oil and blow out oil with air.
7. Wipe gun down with lightly oiled cloth.

FAILURE TO READ AND UNDERSTAND THESE WARNINGS MAY BE
DETRIMENTAL TO YOU OR OTHERS!

WARNINGS:

READ THIS AND BE A SAFE SHOOTER.

Always keep the muzzle pointed in a safe direction.

Never point a gun at any person or thing you don't intend to shoot. Treat every gun as if it is loaded... all the time.

Get instruction from a competent firearm instructor before using any gun.

Never rely on a gun's "safety" to protect you from unsafe gun handling. A "safety" is only a mechanical device not a substitute for common sense.

Keep your finger OFF THE TRIGGER until you are actually aiming at the target ready to shoot. Don't alter or modify your gun, and have gun serviced regularly.

Be certain the gun is unloaded before cleaning.

Always empty gun before entering a house, car, truck, boat, RV, camp, or any building.

Never leave a loaded gun unattended.

Store guns and ammunition separately BEYOND THE REACH OF CHILDREN.

Don't "test the safety" by pulling the trigger when the safety is on.

Be sure of your target end backstop before you shoot. Ask yourself what your bullet will do if it misses the target.

Be sure the barrel is clear of obstruction before shooting.

Guns and alcohol or drugs don't mix. Don't take them before or during shooting activities.

Never pull a gun towards you by the muzzle. Don't climb a tree or cross a fence or ditch with a loaded gun.

Load and unload with the muzzle pointed in a safe direction.

If a gun fails to fire when trigger is pulled, keep it pointed at the target for at least 60 seconds. Sometimes slow primer ignition will cause a "hang fire" and the cartridge will go off after a short pause.

Never shoot at hard flat surfaces or water... bullet will ricochet.

When receiving a gun always open the action and check that it's unloaded.

Never put your hand over the muzzle of a gun.

Never leave a gun where it could fall and fire.

Always wear protective shooting glasses when shooting on the range or in field or forest.

Old or reloaded ammo may be dangerous. We recommend against using it.

Spectators should be 10 feet behind and away from the shooter while loading, firing and unloading.

**FAILURE TO READ AND UNDERSTAND THESE WARNINGS MAY BE
DETRIMENTAL TO YOU OR OTHERS!**

WARNINGS:

READ THIS AND BE A SAFE SHOOTER.

Wear hearing protection when shooting, or at a shooting range, or near shooting activities.

Load the gun only when on the range preparing to fire, and unload it before leaving the range.

Don't try to change your gun's trigger pull, because alteration of trigger pull usually affect sear engagements and may cause accidental firing.

If you do drop your gun, unload it and check it for proper function before using it again.

Always wear fluorescent orange vest, hat or jacket when in the woods or field.

Never let water, snow, mud or other materials enter barrel.

Firearms should be unloaded when not actually in use.

Many ammunition identifications sound similar. Make sure you do not use wrong size ammunitions in your gun.

Write to us concerning any item or circumstances which you don't understand and which might relate to your safety and the operation of any of our products.

WARNING

ANY BORE OBSTRUCTION, EVEN IF IT IS ONLY PARTLY BLOCKED, MAY CAUSE THE GUN TO BLOW UP IF IT IT FIRED, OR MAY CAUSE DAMAGE TO THE GUN SUCH AS A BULGED BARREL.

TO AVOID INJURY OR DEATH TO THE SHOOTER OR BYSTANDERS, CHECK THE BARREL BEFORE SHOOTING OR IF A SHOT DOES NOT SOUND NORMAL.

LIFE TIME LIMITED WARRANTY

All EAA guns are warranted to the original retail customer for life from date of purchase against defects in material and workmanship. All parts and labor or replacement (at our option) are covered.

Transportation to and from our repair facilities and damage caused by failure to perform normal maintenance, sales outside the United States, damage due to use high velocity, high pressure, reloaded or other nonstandard ammunition, or any unauthorized repair, modification, misuse, abuse, or alteration of the product is not covered by this Limited Warranty.

Any implied warranties, including the implied warranties of merchantability and fitness for a particular purpose, are limited to one year from the date of original purchase.

Consequential or incidental damages or expenses, or any other expenses are not covered by this warranty.

To obtain warranty performance send your product with proof retail purchase, freight prepaid, to:

EAA

4480 EAST 11th AVENUE

HIALEAH, FL 33013

HOME SAFETY IS PROBABLY YOUR BIGGEST CONCERN.

Hoppe's Gun Guardian is a good inexpensive gun lock kit. It works on any firearm (rifle, pistol or shotgun) or airgun, yet instantly removable by an adult.

Hoppe's Gun Guardian kits are available in gun shops and sporting goods departments, or from Hoppe's, Airport Industrial Mall, Coatesville, PA 19320. We have tested them and we recommend them. After all, you have invested this much in your new gun. Now invest a little more in your children's safety.

USED FIREARMS

If you got your EAA firearm as a used gun, **BEFORE USING IT** you should unload it and check all its functions to be sure it works correctly. Firearms are sometimes altered to work incorrectly, or parts may be removed, lost or replaced with incorrect parts. First, unload it and check it yourself and then:

1. Take it to a good gunsmith who knows about this model of EAA firearm, and have him check it over, or.
2. Send it to EAA along with \$ 30.00 and your name and address, and our gunsmith will inspect it and send it back to you with a report on its condition. This service is also available if you have an older EAA product, or if you think your EAA gun has been dropped, damaged or just needs to be checked.

EAA

4480 EAST 11th AVENUE

HIALEAH, FL 33013

YOUR OWNER'S MANUAL

This manual contains important warnings which must be understood **BEFORE** using this firearm.

When you lend, give or sell the firearm, be sure the manual goes with it. You can get a copy of this manual from EAA on request.