

TT
520
-G9

Efficiency
Simplicity
Economy

In' Cutting and Making
Ladies'
Garments

By
EDMUND GURNEY





Class TT520

Book 99

Copyright N^o _____

COPYRIGHT DEPOSIT





EFFICIENCY
SIMPLICITY
ECONOMY

IN CUTTING AND MAKING

LADIES'
GARMENTS

By

EDMUND GURNEY

//

TT520
G9

COPYRIGHT, 1917
By EDMUND GURNEY
PORTLAND, OREGON

JUN 14 1917

F. W. BALTES AND COMPANY, PRINTERS
PORTLAND, OREGON

©CLA402968

no. 1.

17-18186

INDEX

	Page
How to measure	8
Normal divisions	10
Drafting prefix	11
Construction draft	13
Blouse waist	14
Stout and large bust-form.....	16
Fitted bodice, to draft.....	16
Coat collar	17
Jacket	19
Long coat	20
To make coat	21
To draft curves.....	22
Chart	23
To change shoulder seams.....	24
To cut yoke.....	24
To cut sailor collar.....	25
To cut kimono.....	25
Remarks on sleeves	27
To draft waist sleeves.....	27
To draft jacket sleeves.....	28
To measure skirts.....	29
To draft skirt, No. 1, 2 yards wide.....	31
To draft skirt, No. 2, 2¼ yards wide.....	32
To draft skirt, No. 3, 2½ yards wide.....	33
To draft circular skirt, No. 4, 3 yards wide.....	34
To draft full circular skirt, No. 5, umbrella skirt.....	35
To cut striped skirt.....	36
To sponge cloth.....	37



PREFACE



N the year 1631 a peasant found a baby-basket containing a little boy, a piece of money and a note stating that whoever found this basket and took proper care of same would never know want, and that the much desired and beloved infant was, on account of deformity, not desired as a ruler of its family. Accordingly money was, for some period, continuously received from an unknown source for its upkeep. As the boy grew older, he developed a desire for sewing. Thus, the lad was named Lodivieus (loves sewing), meaning, in the Flemish or Dutch language, Geerne-naien. This was the start of the Gurney tailoring family, and the trade has until now been continuously in the same family under the same name, with the exception that as education progressed, the name was gradually changed, first to Geernaci, thence to Geernay and further, as the French language became more in commercial use, to Gernay.

An early branch of the family moved to England, another to the United States. No record was kept, only as it has been related from parent to son.

No search has ever been instituted, but it appears the name had again been changed, to be more easily used in the language of the adopted country, to Gurney, and I have done likewise.

In writing this little book, I am not inventing a new method of cutting garments, but the method has never been in print. Its principle is correct, it has stood the test of time, is of easy remembrance, and does not require a tailor to make a good pattern; in fact your brother, husband or father will be able to make the pattern by following the instructions and cut you a perfect and comfortable garment.

Regardless of my love for the trade, I have for the past few years tried to give up the tailoring business, but Providence or destiny has decreed otherwise and indicated the way where I could be of more benefit to my neighbor and perhaps to myself by doing precisely what my father, grandfather and great grandfather have done.

On my last visit to the old home, in visiting a number of old-time trade friends, there was a great deal of satisfaction in hearing some home-sewing mother say, "I still have the patterns that your father gave me; and my mother, and grandmother always held and esteemed the patterns that your grandfather made for them," and then to hear the gentleman of the house say, "I have never had a really comfortable garment since your people left us."

This work would not be complete without the mention of my personal observation.

Nature has made of us all a correct unit of measurement—a perfect body beautiful—for all measuring units emanate from the human form.

It is still a practice to say the horse is so many hands high. Sculptors and painters use the hand measure for the dimensions of the face, etc. Commercially the measure of the fist is still in use, and four times across the joint of your thumb equals the width across your hand; three times across your hand is the length of your foot; hence, the foundation of the foot measure—twelve thumbs—twelve units one foot. These are only a few measuring units for length.

For width, twice around the wrist joint equals once around the neck directly under the chin; once around the neck equals the width of the back; three times around the neck equals the bust measure.

Nature intended us to be erect and if we hold up the chin on a level with the shoulders when walking, no one will be stooped or round shouldered. This cannot be too strongly emphasized. Just a little daily practice walking with your chin up, a stiff limb, or “goose leg” as it is called, and the whole body becomes automatically rigid. It forces the shoulder blades in, develops the chest and thus we improve upon nature and become fuller across the chest. Strength and muscular developments do not beautify the carriage of the body. Again, first take care of what nature intended you to be and your general health will accordingly be improved.

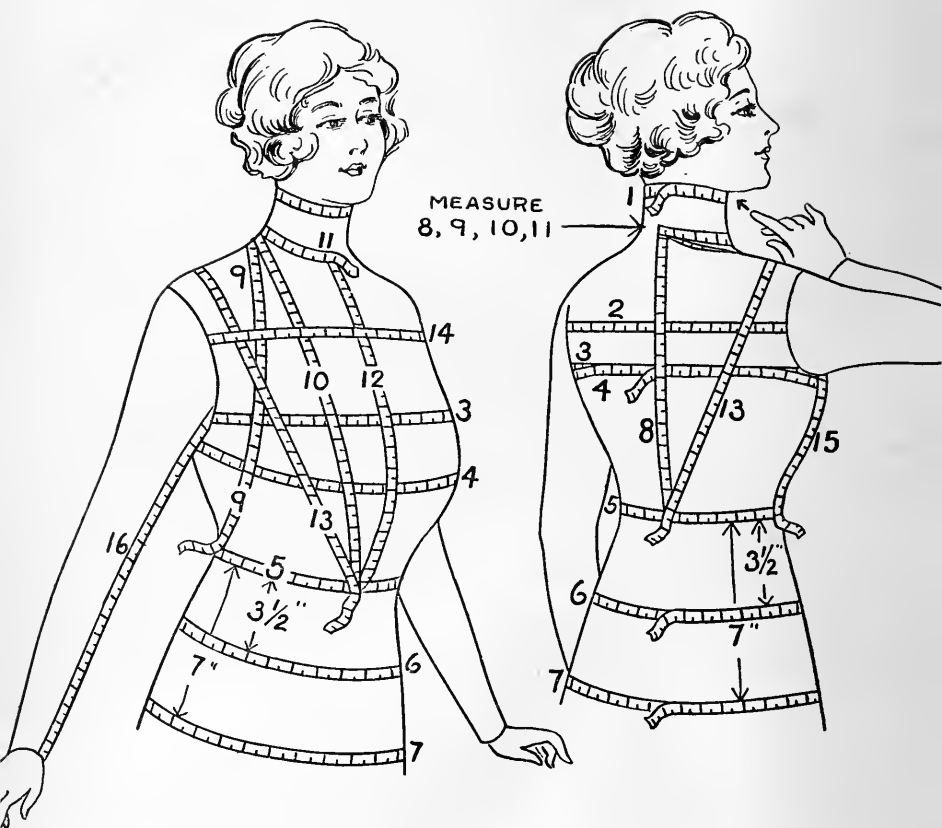
CORRECT PRACTICE IS THE MOTHER OF EFFICIENCY

With efficiency as your slogan, you have confidence and eradicate all hesitations. Therefore, when taking measures, have self-confidence, place yourself and client at ease. After a little practice you will be able to converse when taking measures, thus making your client forget herself and be in her natural position.

WHEN FITTING

Don't say, "Stand straight," or, "Your right shoulder is lower," or, "Your left hip higher." Above all, don't say, "You are round shouldered." These are points for you to notice, as no person desires to have defects pointed out.

In business you will meet a number of adversities, but in cutting and making garments follow these instructions and success is yours.



TO TAKE MEASURES

Tie tape or cord around waist; locate center of waist at back and front and place cord or tape level from center of back to sides. Measure around waist; divide amount into four and measure from center of back one-fourth waist to right side and place pin; then place pin in front at highest point of bust, also in front at waistline, and take measure, standing at back of your client.

MEASURES

- No. 1. Taut around bare neck under chin.
- No. 2. Across back.
- No. 3. Breast measure, straight around under arms, easy.
- No. 4. Bust measure, over fullest part of bust, easy.
- No. 5. Waist measure.
- No. 6. First hip measure, 3½ inches below waist.
- No. 7. Hip measure, 7 inches below waist.
- No. 8. Length of back from neck to waist.

First Over-Measure

- No. 9. From center of back at neck to pin on side.

Second Over-Measure

No. 10. From center of back to pin at highest point of bust. Note amount and continue to length in front at waist.

- No. 11. From center of back to front of neck at throat.

No. 12. From throat to highest point of bust and continue to full length in center of front at waist. Be sure to take this measure high enough at throat.

No. 13. Shoulder measure from center of back at waist over center of shoulder, down over highest point of bust, continuing to waist.

- No. 14. Across chest.

No. 15. Underarm height. To take this measure correctly, pin tape measure over 1 inch, insert pencil, and then with pencil inserted hold high enough under arm, subtract 1 inch for the inch folded over.

No. 16. Without removing pencil from under arm, measure to wrist and subtract 1 inch for the inch folded over.

REMARKS

When taking measures Nos. 9, 10 and 11, place finger on top of tape without touching the neck with finger and take respective measures without removing tape.

The normal measures for the average person are: Twice around the wrist equals around the neck; three times around the neck equals the bust.

NORMAL DIVISION OF MEASURES

Wrist measure, 6 inches.

Neck measure, 12 inches.

Breast measure, 34 inches.

Bust measure, 36 inches.

Width of back, 12½ inches.

Length of front from throat to waist, 16 inches.

Chest measure, 15 inches.

Waist, 24 inches.

Hip, 3½ inches below waist, 35 inches.

Hip, 7 inches below waist, 40 inches.

Length of waist in back, 15 inches.

Underarm measure, 8 inches.

Length of underarm sleeve, 16 inches.

First over-measure, 20 inches.

This division of measures is standard and natural and is applicable to 90 per cent of the public. Hence, in drafting a waist or coat, the neck measure No. 1 is the most essential, then the length of back from neck to waist, measure No. 8, the first over-measure No. 9, and the bust measure No. 4. Also underarm measure No. 15. These measures are sufficient to draft normal waist. The remaining measures are proof measures. Therefore, it will be noticed in the drafting chapters that I use the neck measure wholly as a basis for all other divisions, because, primarily, it is more essential that the garment be comfortable and well balanced around the neck and shoulders. All other details are secondary and easy of alteration.

DRAFTING PREFIX

Frequently we find ladies of small and large build whom we see at a glance to be out of normal proportions. However, in drafting as described, these disproportions are automatically taken care of. Have confidence in yourself; rely entirely upon your measurements and you will be sure of good results.

Persons of extra good carriage usually have a large bust; are short in the back, measure No. 8; and very long in measure No. 9. Equally so, measure No. 10 is long.

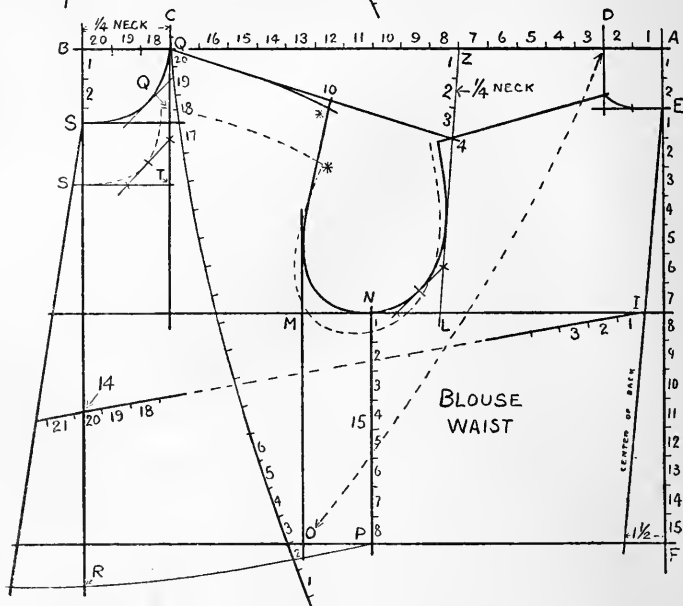
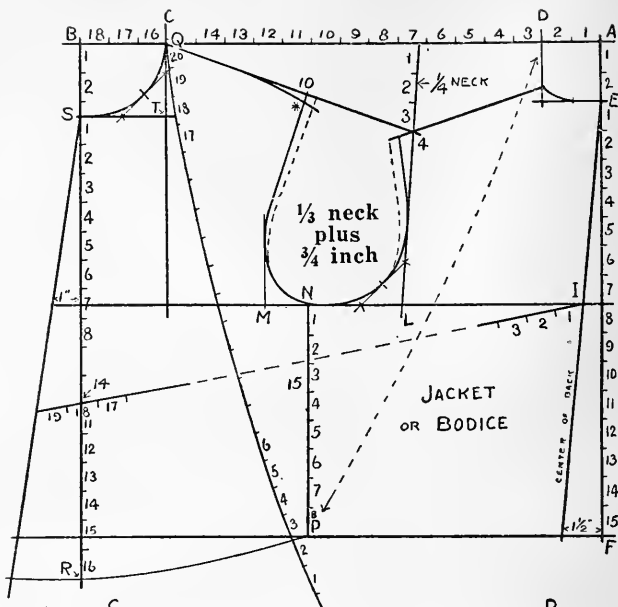
For instance, neck measure is 12 inches, breast measure is 39 inches, and bust measure 42 inches. This person would be 6 inches abnormal, but not actually out of proportion; she simply has improved upon nature.

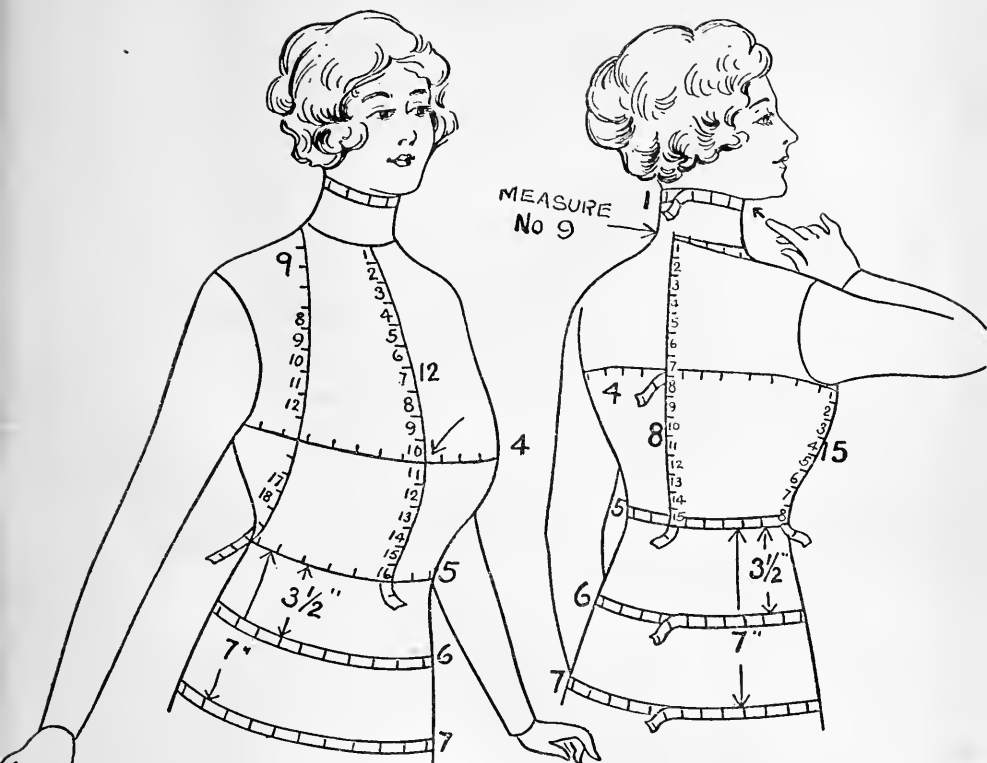
To draft this garment, use breast measure as representing three times the neck measure.

A to B would be $19\frac{1}{2}$ plus 2 inches; B to C would be the usual one-fourth of actual neck measure and A to D the usual one-sixth neck measure for the remaining divisions, such as width of back and armseye. Use the division of the breast measure, 39 inches, which corresponds with 13 inches neck measure.

A large percentage of women have round shoulders and are not what nature intended them to be. Usually these women are of large frame. The neck may measure 14 inches and the bust measure only 36 inches, thus we see they are apparently out of proportion. However, such persons are not actually out of proportion; they have simply cheated nature. It will be noticed that a round shouldered person is narrow of chest and wide across the back; thus, the back must be cut wider than for normal proportion. Cut width of back according to measure, and the armseye will then also be more to the front as required. Complete the draft as usual by the neck measure.

For persons with excessively large neck at throat, use bust measure as from A to B. Then for the divisions, use measure No. 11, less 1 inch, and draft neck at back as A-D and B-C as usual by their respective neck size.





These construction drafts are made for a normal size of 12 inches neck measure, corresponding with a 36-inch bust form. The points are self-explanatory and can be used as a basis for all sizes.

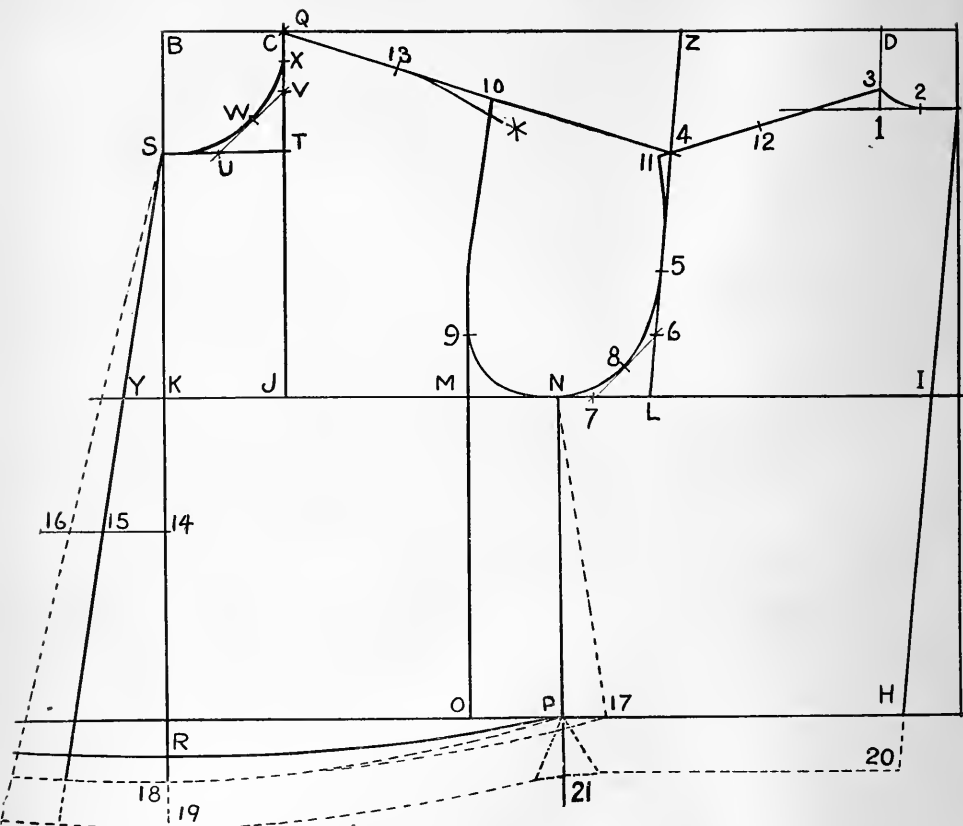
It will be noticed that the first over-measure from center of back at neck A to D is applied at letter P for Jacket, and at letter Q for blouse waist, to measure up the required measure to letter Q. For normal erect form letter Q will come on line A-B; for over erect form, above line A-B. However, for the greater majority, letter Q will come below line A-B, and must, regardless of the amount, be placed where the measure requires plus $\frac{1}{2}$ inch in all cases. Dotted lines in blouse waist indicate letter Q coming 2 inches or more below line A-B. Then to draft shoulder line for stooped form, pivot at R and sweep back from Q to star as illustrated. The amount that S comes forward on line B-R must be added forward at Q as indicated by dotted lines. No seams are allowed on pattern at any place.

When cutting the material for jackets allow at shoulder points, 10 and 11, one-half inch for outlet as indicated by dotted lines. It will be noticed that dotted line comes to one-half distance between 9 and M in front, and one-half distance 8 and 17 at back.

No seams are ever allowed on jackets at point N.

For waist allow seams all around armseye.

To draft curves use curve chart as illustrated on page 22.



TO DRAFT BLOUSE WAIST

Before drafting, read drafting prefix and construction draft instructions.

Draw rectangle line A-B and A-F. A to B is three times one-half neck measure plus 2 inches for a blouse waist, and is 20 inches for this draft of 12-inch neck, and 36-inch bust. B to C is one-fourth of neck measure, 3 inches for this draft. A to D is one-sixth of neck measure, 2 inches for this draft. Square down from C, B and D. A to E is one-sixth neck measure. E to F is the waist length from neck to waist, measure No. 8. F to G is underarm measure No. 15. F to H is $1\frac{1}{2}$ inches. Draw line from H to E. Square out from F, G and E. This locates I, J, K and 1. I to L is the width of back and is normally one-half of neck measure plus 1 inch for blouse waist. L to M is armscye width, ALWAYS one-third neck measure plus 1 inch. N is one-half distance from L to M. Square down from M and N. This will locate O and P.

To Apply First Over-Measure No. 9

Measure from A to D, width of back at neck; place this amount at O and measure up at line C the required measure and mark Q, plus $\frac{1}{2}$ inch for ease. For an erect form this measure will be on line A-B, for an overerect form above line A-B, and for a stooped form below line A-B, sometimes as much as two or more inches. However, place Q at required measure, as indicated by dotted line in construction draft.

To Apply Second Over-Measure No. 10

Measure from A to D, width of back at neck, place this amount at Q and measure down to highest point of bust and mark 14; then continue the required measure and mark R.

To Apply Front Length Measure No. 12

Measure required amount, up from R and mark S. Square back from S. This locates T. U is one-half distance from T to S; T to V is the same amount as T to U. Draw line from U to V, and in the center mark W. X is $\frac{3}{4}$ inch from Q; K to Y is 1 inch. Draw line down from S through Y. A to Z is the same as I to L, one-half neck measure plus 1 inch. 2 is one-half distance from E to 1 and 1 to 3 is equal to one-half the distance from 1 to 2. Z to 4 is one-third distance from L to Z. This is normally one-fourth of neck measure. 5 is one-half distance from L to 4. 6 is one-half distance from L to 5. L to 7 is the same distance as L to 6. Draw line from 6 to 7 and in the center mark 8. Point 9 is $1\frac{1}{2}$ inches up from M. Draw line from 3 to 4 and Q to 4 (whereas for a stooped or round-shouldered form, point Q is as much as 2 or 3 inches below line A-B. It is not practical to draw line from Q to 4, and it is in all instances good practice to pivot at R and to sweep back from Q, thus establishing the shoulder line of the front as designated by point Q and 10 to start as illustrated with dotted lines in waist construction draft.) 4 to 11 is $\frac{5}{8}$ inch. Q to 10 is the same amount as from 3 to 4 plus $\frac{1}{4}$ inch. It will be noticed that the back from 3 to 11 is $\frac{3}{8}$ inch longer than the front from Q to 10, which extra $\frac{3}{8}$ inch is always needed for fullness and must be divided on the front from Q to 10. In basting the shoulder seams, start at the neck point of right shoulder so that 3 will meet Q of the neck at front. Thus you have the back next to you, which makes it easy to equally divide the fullness to the front. Pin the left shoulder to the front, holding the back next to you, and be sure that you come even at the neck, the same as the right shoulder. (Left-handed seamstresses will baste the left shoulder first.)

To Apply Shoulder Measure No. 13

12 is one-half distance from 3 to 11 and 13 is one-half distance from Q to 10. Measure up from H to 12, apply amount at R, measure up to 13 and mark the required length, plus $\frac{3}{4}$ inch for ease. Normally, this will come on the line Q to 10, or for very high shoulders above line Q to 10, and for sloping shoulders below this line.

To draw all curves use curve chart as illustrated on page 22.

For Blouse Fullness at Front

R to 18 is $1\frac{1}{2}$ inches. Draw line from P to 18. H to 20 is $2\frac{1}{2}$ inches. P to 21 is $2\frac{1}{2}$ inches and 18 to 19 is $2\frac{1}{2}$ inches, needed for extension on waist. Draw line from 20 to 21 and from 21 to 19, extending $1\frac{1}{2}$ inches each way beyond 21 for fullness required over the hip. This completes the draft. No seams are allowed at any place.

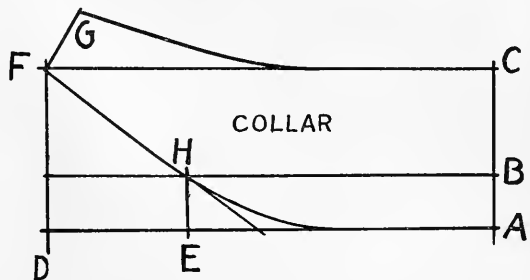
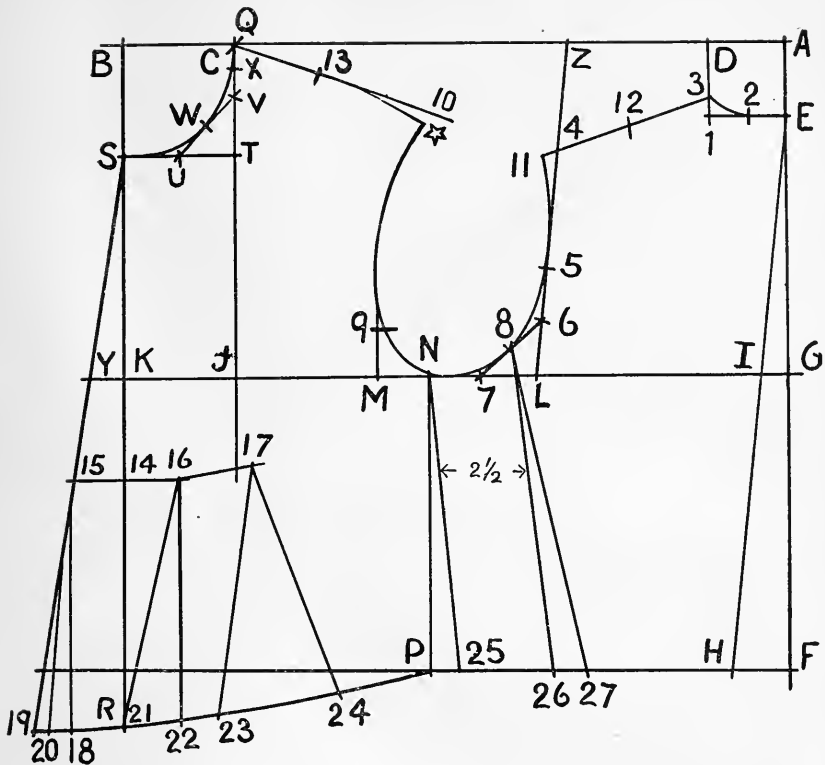
FOR STOUT OR LARGE BUST FORMS

Square out from 14. This locates 15. Measure from I to 15; apply bust measure plus $3\frac{1}{2}$ inches and mark 16. Draw line from S through 16 and add at P to 17 a like amount as from 15 to 16. This method is absolutely correct for all sizes, and is applicable to all commercial patterns. For women of large bust, add at P and 15 and nothing at N—(it is understood that the amount added at P is not to be subtracted from the back)—and the amount from P to 17 is added to the front after the back from N to P has been cut. This method is also absolutely correct for enlarging the front for stout women.

TO DRAFT A FITTED BODICE

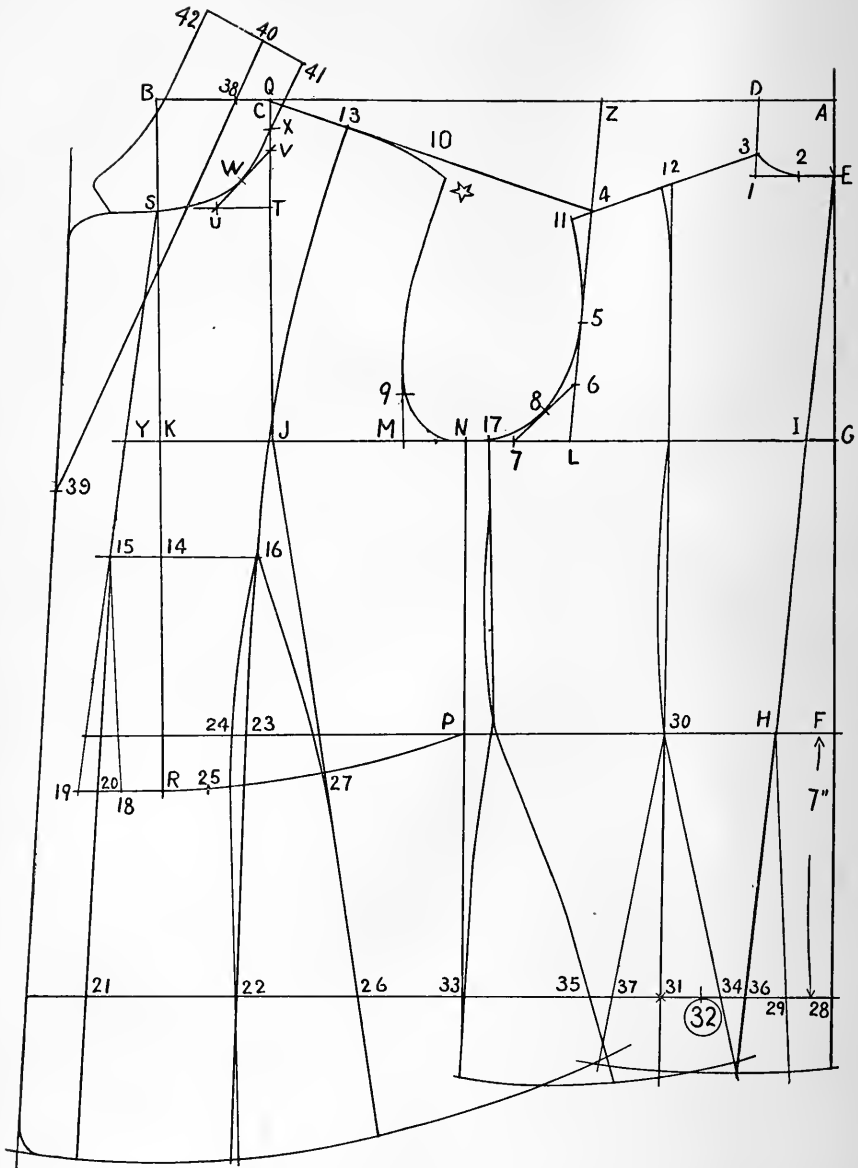
Before drafting it is necessary to be familiar with waist drafts and drafting prefix, as the same points at neck are used for bodice.

For a fitted bodice no additions are made. A to B is three times neck measure; B to C is one-fourth neck as usual; A to D is one-sixth neck; I to L is width of back, one-half neck measure plus $\frac{1}{4}$ inch; L to M is one-third neck plus $\frac{1}{2}$ inch, and M to N is one-third distance from L to M. Apply first over-measure from A to D, apply amount at P and measure required length from P to Q. All the other points are obtained the same as waist draft No. 1. K to 14 is normally equal to one-third of the underarm measure. It is, however, preferable to depend on your actual measures. Draw line both ways from 14. This establishes 15. 15 to 16 is one-sixth bust measure. Draw line from 16 toward I to establish 17. 16 to 17 is one-eighth bust. Square down from 15 to locate 18. 19 is the center of front as drawn on the usual line from S through Y. 20 is one-half distance between 18 and 19. Draw line from 15 to 20. Line 20 is now the center of front. For a fitted bodice, 20 to 21 is one-sixth of one-half waist measure. Measure from P to 20 and the amount in excess of the required one-fourth waist is to be taken out in darts, which in this instance is 6 inches, and is to be divided as follows: 21 to 22 is one-third of the 6-inch surplus; 22 to 23 is equal to one-half the distance from 20 to 21; 23 to 24 is two-thirds of waist surplus. Thus, if the waist surplus is 6 inches, 2 inches is taken out in front dart and 4 inches in second dart. For the back, P to 25 is 1 inch; 25 to 26 is the same as from N to 8. Measure from 25 to H and the surplus in excess of the required one-fourth waist is to be taken out from 26 to 27. For large or stout women, do the same as previously described in drafting blouse waist, and the additional amount, as from P to 17, is to be taken out at the front darts. Under no circumstance should more than 1 inch be taken out from P to 25.



THE COAT COLLAR

Draw rectangle A-C-D. A to D is two-thirds neck measure; A to B is $1\frac{1}{4}$ inches; B to C is 2 inches; D to E is one-fourth neck measure. Square up from D and E. This locates F and H. Draw line from F through H. F to G is $1\frac{3}{4}$ inches. Measure coat from center of back to lapel crease and apply amount at H, and shorten or lengthen at A if necessary.



TO DRAFT JACKET

It is necessary to be familiar with waist drafts and drafting prefix, as the same points at neck are used for jacket.

A to B is three times neck measure—without any addition; B to C is one-fourth neck; A to D is one-sixth neck. Square down from B, C and D; A to E is one-sixth neck; E to F is the waist length. Continue to desired length of coat. F to 28 is always 7 inches. F to G is underarm measure; F to H is $1\frac{1}{2}$ inches. Draw line from E through H and square out from F, G and E. This locates I, J, K and 1. I to L is width of back and is normally one-half neck plus $\frac{1}{4}$ inch. L to M is armseye width; always one-third neck plus $\frac{3}{4}$ inch. M to N is one-third distance from L to M. Square down from N. This locates P.

To Apply First Over-Measure No. 9

Measure width of back at neck, A to D, apply amount at P and measure up at line C the required measure, mark Q and add $\frac{1}{2}$ inch for ease.

To Apply Second Over-Measure No. 10

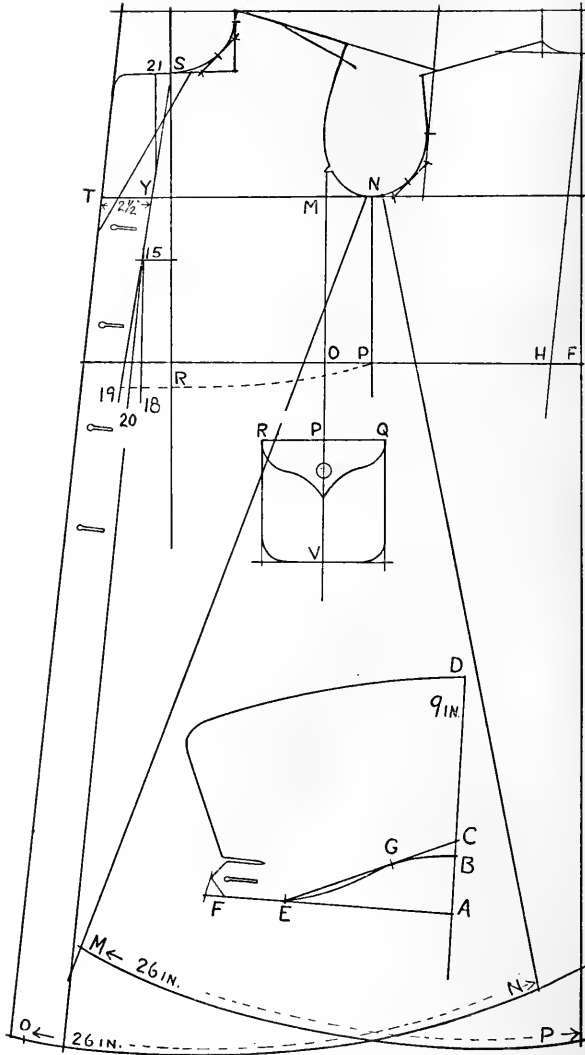
Apply amount from A to D at Q and measure the required length down to highest point of bust and mark 14, and continue to length of front and mark R. The points at neck are obtained the same as for waist. Square out both ways from 14; 15 to 16 is one-fourth bust measure less $\frac{1}{2}$ inch. Square down from 15 to establish 18. 20 is one-half distance from 18 to 19. Draw line from 15 through 20 to establish 21. 21 to 22 is one-fourth bust measure. Draw line from 16 through 22. 24 is $\frac{1}{2}$ inch from 23. Draw line from 16 to 24 and 24 through 22. P to 25 is one-fourth waist measure. The amount from 20 to 25 is front surplus. From 22 to 26 is the same as 20 to 25 plus $\frac{1}{2}$ inch. For person who is full in front, 22 to 26 is 1 inch less than 20 to 25. Draw line from J through 26. This establishes 27. Draw line from 16 to 27; 3 to 12 is $2\frac{1}{2}$ inches; Q to 13 is $2\frac{1}{4}$ inches. Draw curve line from 13 to 16.

28 to 29 is $1\frac{1}{4}$ inches. Draw line from H through 29. H to 30 is one-fourth neck measure, or as may be desired. Square down from 30 to establish 31. Measure from 29 to 26 and 21 to 22. Place amount at 33 and continue towards 32 and mark hip measure plus $1\frac{1}{2}$ inches, thus the amount from 32 to 33 is to be added over the hips and be divided as follows: One-third of the amount from 32 to 33 is placed from 31 to 34, the remaining two-thirds is placed from 33 to 35. N to 17 is 1 inch. Square down and draw line from intersection of line F through 35 to 33. Measure from 29 to 31. Place the amount at 36 and measure to 37. Draw line from 30 to 37.

Go out 2 inches at 15 and 21 and draw line for front of coat.

THE COLLAR

Q to 38 is $\frac{3}{4}$ inch. Draw line from 38 to front of coat wherever desired. This locates 39 and 40. 40 to 41 is $1\frac{1}{4}$ inches; 40 to 42 is 2 inches. Shape as represented. When making, stretch neck from W to X and sew collar on loosely from Q to W.



TO DRAFT A LONG COAT

First draft a blouse waist in the usual form and cut out the pattern on line E-F, thus providing for ample fullness at the back. Pin pattern on a large piece of paper and add $\frac{1}{2}$ inch at N. Mark the desired length at back and draw a straight line N to M to bottom of coat, using the full width of the material, which should be no less than 52 inches wide. The front points 15, 18, 19 and 20 are the same as in the jacket. Go forward $2\frac{1}{2}$ inches at 15 and 20 and draw straight line for the front. S to 21 is 1 inch for dart.

The Pocket

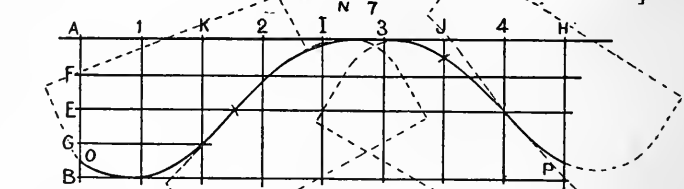
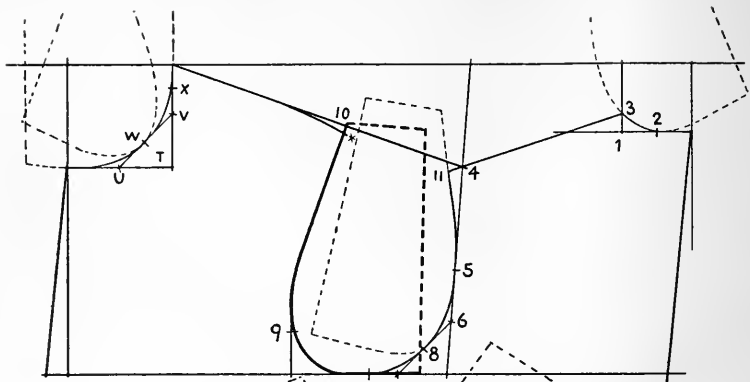
M to P is 3 inches less than the length of underarm sleeve. P to V is 6 inches; O to R and Q are each $3\frac{1}{4}$ inches.

The Collar

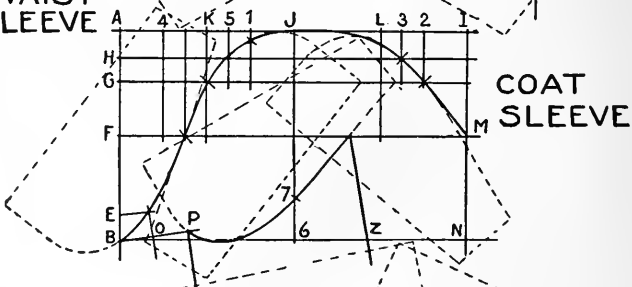
Draw rectangle line A-F and A-D. A to B is 2 inches; B to C is 1 inch; B to D is 9 inches, or any length desired. B to G is width of back; A to E is length of collar to front 8 inches, and E to F is $2\frac{1}{2}$ inches. Draw line from C through G to E. Draw curve line from B to G and from G to E.

To Make the Coat

When cutting the goods, make notch at W at neck and T at bust line. After the canvas is shrunk, cut the canvas the same as the goods, and make notch at W and T. Cut dart in canvas only and sew up dart. Lay fronts on canvas so that notches on W and T meet the canvas notches, thus holding the goods a little full from W to T. In this manner the dart does not show in front of the coat and has the same effect.

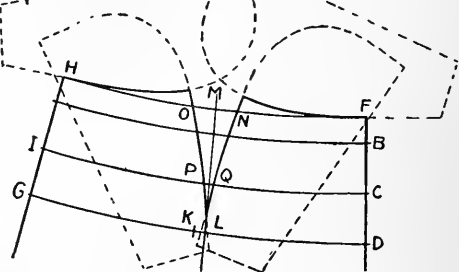


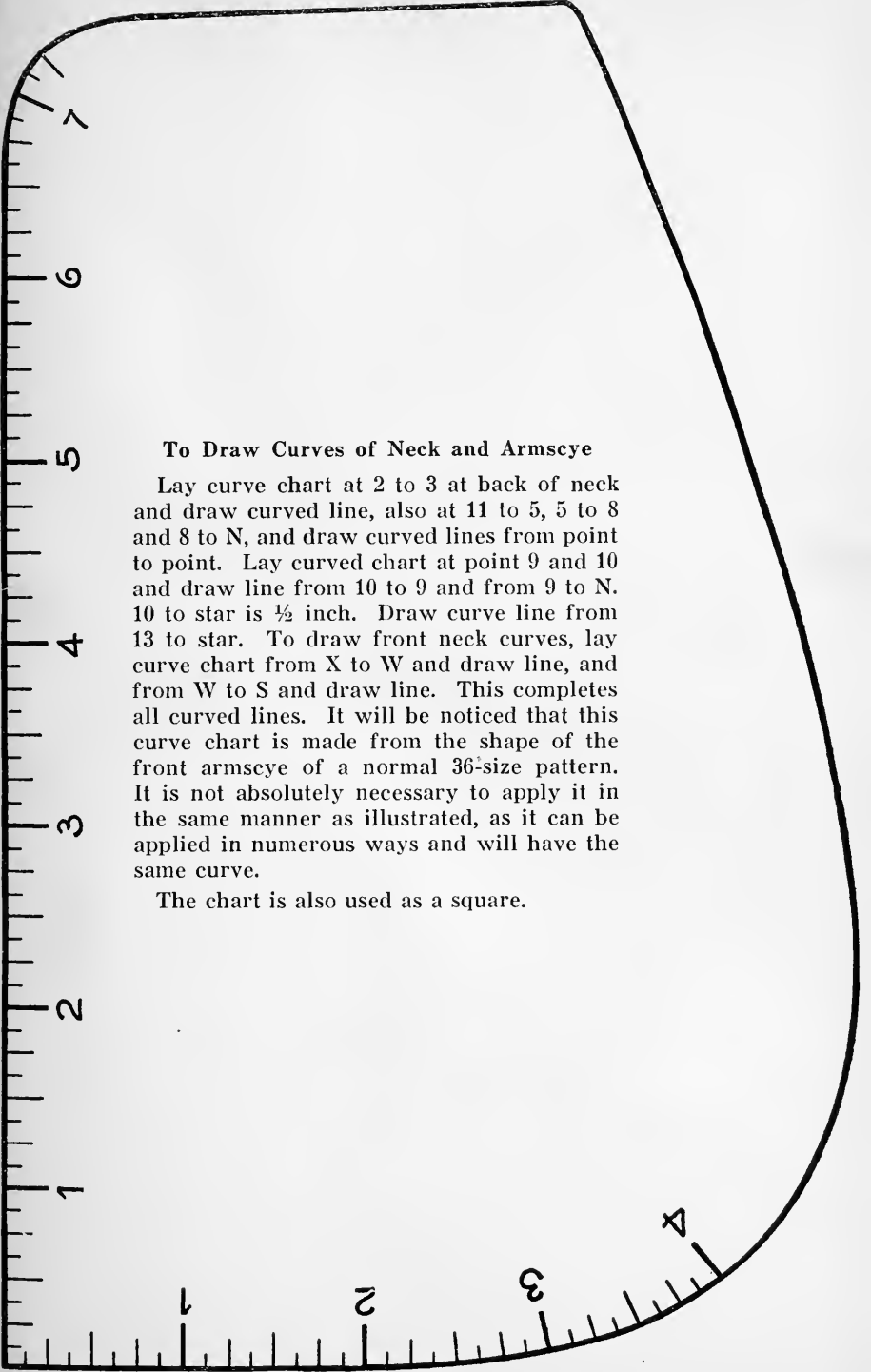
WAIST
SLEEVE



COAT
SLEEVE

SKIRT

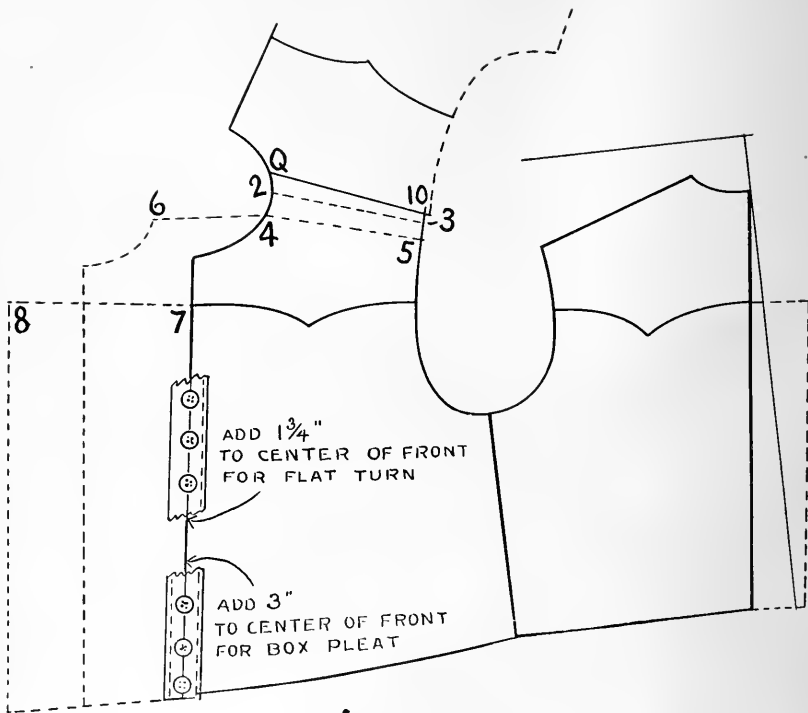




To Draw Curves of Neck and Armscye

Lay curve chart at 2 to 3 at back of neck and draw curved line, also at 11 to 5, 5 to 8 and 8 to N, and draw curved lines from point to point. Lay curved chart at point 9 and 10 and draw line from 10 to 9 and from 9 to N. 10 to star is $\frac{1}{2}$ inch. Draw curve line from 13 to star. To draw front neck curves, lay curve chart from X to W and draw line, and from W to S and draw line. This completes all curved lines. It will be noticed that this curve chart is made from the shape of the front armcye of a normal 36-size pattern. It is not absolutely necessary to apply it in the same manner as illustrated, as it can be applied in numerous ways and will have the same curve.

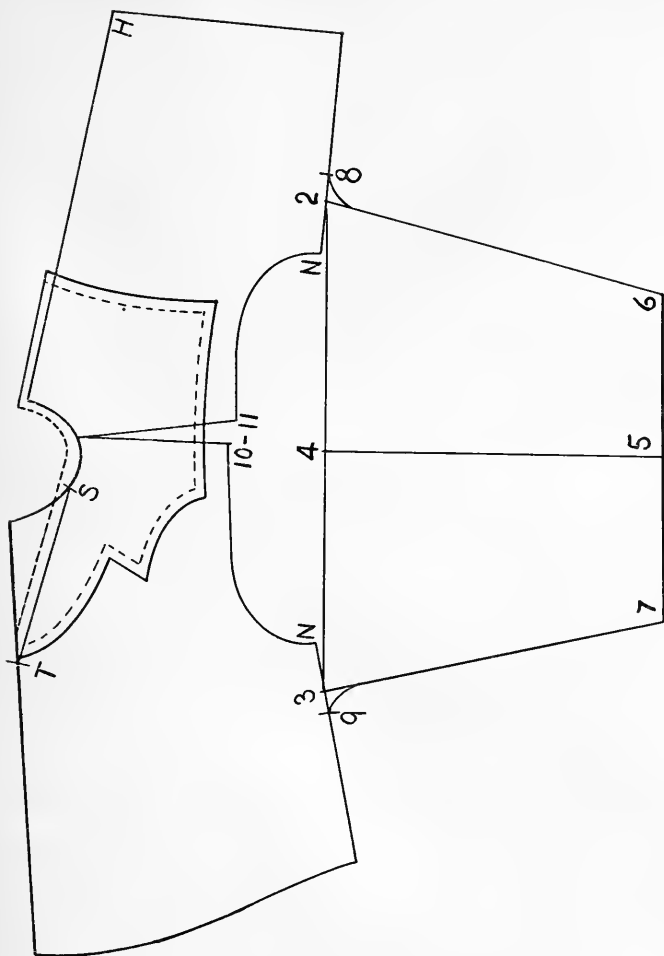
The chart is also used as a square.



TO CHANGE SHOULDER SEAMS OR TO CUT YOKE

Pin front and back together as indicated at shoulders and add at back any amount desired for yoke or to change shoulder seam as designated by Nos. 2, 3, 4 and 5. If gathers are desired from 4 to 5, add 4 inches for fullness as indicated from 4 to 5, parallel to front line. If yoke is desired, mark at any desired place and add 6 inches or more at 7 for fullness.

To make flat turn, add $1\frac{3}{4}$ inches to center of front, turn in $\frac{1}{4}$ inch and fold over 1 inch, thus providing for 1 inch hem, and having the button in center. For a box pleat, add 3 inches to center of front, turn edge to center of front, fold and stitch $\frac{3}{8}$ inch and also stitch on outer edge $\frac{3}{8}$ inch, thus making a box pleat $1\frac{1}{2}$ inches wide.

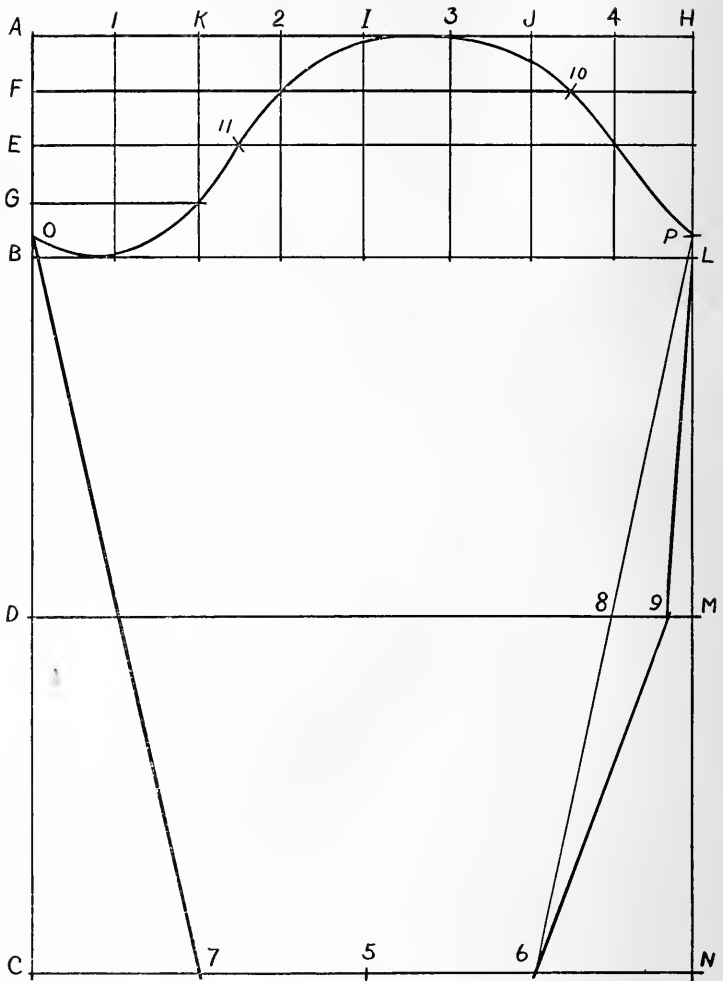


TO CUT SAILOR COLLAR

Draw lapel crease where opening is desired. Lay front and back together at neck, leaving shoulder 1 inch apart as at 10 and 11. Cut collar as indicated, extending $\frac{1}{4}$ inch at back for fullness as illustrated. Cutting the collar in this manner will provide the required fullness over the shoulder.

TO CUT KIMONO

Point 2 and 3 is 2 inches from point N. Lay pattern together at neck as indicated, spreading $1\frac{1}{2}$ inches at 10 and 11. Draw line from 2 to 3 in the center mark 4. Square down from 4 to 5, the length of sleeve, mark out from 5 to 6 and 7 any desired width. Draw line from 2 to 6 and 3 to 7. 2 to 8 is 1 inch, and 3 to 9 is 1 inch. Shape sleeve at 8 and 9 as indicated.



THE SLEEVE—No. 1

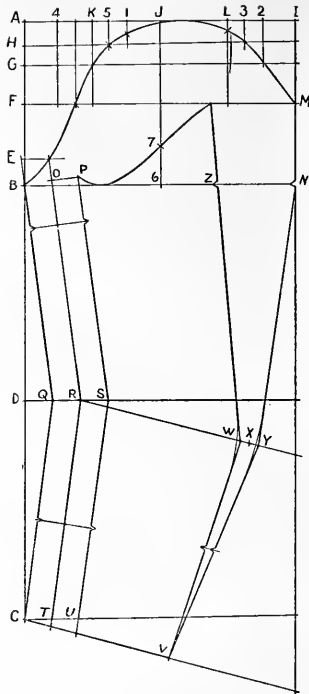
Remarks on Sleeves

This method will make a very comfortable sleeve. There is no need of worrying about the size of the arm when you use the neck for division. However, for abnormal sizes, use the method as described for waists on page 16, namely, if client measures 12 neck, 39 breast and 42 bust, this is abnormal. Then you use one-third of 39 as drafting power for the sleeve. On the other hand, if client is 14 neck, 36 breast and 38 bust, this indicates that she is of large frame and you must use 14, the neck measure, as drafting power for the sleeve. The neck measure is taken taut under chin.

To Draft

Draw rectangle line A-C and A-H. A to B is one-third neck measure, 4 inches for 12 neck; B to C is the length desired; D is one-half distance from B to C; E is one-half distance A to B; F is one-half distance E to A; G is one-half distance E to B. Square out from all points. A to H is total neck measure plus 3 inches, equals 15 inches for 12 neck, or 36 bust measure. I is one-half distance A to H; J is one-half distance H to I; K is one-half distance A to I; 1 is one-half distance A to K; 2 is one-half distance K to I; 3 is one-half distance I to J; 4 is one-half distance J to H. Thus the sleeve is divided into eight equal parts. Square down from all points. This establishes L, M and N. O is one-half distance B to G; L to P is the same amount; 5 is center of C to N; 5 to 6 is one-half of desired width and 5 to 7 is the same. Draw line from O to 7 and from P to 6. This locates 8. 8 to 9 is 1 inch. Draw line from P to 9 and 9 to 6. 10 is one-half distance J and 4 on line F; 11 is one-half distance K and 2 on line E. To draw top of sleeves, lay chart on curves as illustrated on page No. 22. It is not essential that you lay the chart in just this precise manner, but it is advisable to use chart so as to have good curved lines.

If a more athletic sleeve is desired, make distance A to B, one-fourth neck measure, and divide into four equal parts as shown. This will shorten the top of sleeve 1 inch. Equally so, if a more fitted sleeve is desired, make distance from A to B one-third neck measure plus 1 inch and use the regular division for the remainder of the sleeve.



THE JACKET SLEEVE

For abnormal forms, it is essential that you read remarks on sleeves, page No. 27.

These are numerous systems of drafting sleeves, and those who are familiar with other methods will appreciate the simplicity and correctness of this method.

To Draft

Draw rectangle A-C, A-I. A to B is one-half neck measure, 6 inches for 12 neck, corresponding to a 36 bust. B to C is the length desired; B to D is one-half distance B to C; B to E is 1 inch; F is one-half distance A to B; G is one-half distance A to F; H is one-half distance A to G. Square out from all points. The width of the top sleeve, as from A to I, is derived from the neck measure and is divided into thirds, so that the upper sleeve is two-thirds of the width desired and the under sleeve is one-third, therefore the under sleeve is one-half the width of the upper sleeve.

Neck measure is 12 inches, add 3 inches, equals 15 inches: Divide 15 into three equal parts. 15 divided by 3 equals 5, thus the upper sleeve will be 10 inches and the under sleeve 5 inches. A to

I is two-thirds of the size desired, 10 inches for this draft. J is one-half distance A to I; K is one-half distance A to J; L is one-half distance J to I; 2 is one-half distance L to I; 3 is one-half distance L to 2; 1 is one-half distance J to K; 4 is one-half distance A to K; 5 is one-half distance 1 to K. Square down from all points. This locates M and N. B to O is 1 inch; O to P is 1 inch; D to Q is 1 inch; Q to R is 1 inch; R to S is 1 inch; C to T is 1 inch; T to U is 1 inch. Draw line from B to Q and Q to C. Draw line from O to R and R to T. Draw line from P to S and S to U. Square out from B by Q to locate P. Lay square at point R and C and draw line to locate X. Lay square at point C and R and draw line towards V. T to V is one-third neck plus $\frac{1}{2}$ inch. R to X is one-half neck measure plus 1 inch. X to W is $\frac{3}{8}$ inch and X to Y is $\frac{3}{8}$ inch. Draw line from V to W and V to Y. Measure from B to N and apply one-half the amount from P to Z. Draw line from W through Z. Draw line from Y to N. Lay curve chart on top and under sleeve to meet all corners and draw curve lines as illustrated on page 22.

MEASURES FOR SKIRTS

Place pins $3\frac{1}{2}$ inches and 7 inches below natural waist in front, back and on sides; stand behind the person to be measured; take waist measure first, hip measure $3\frac{1}{2}$ inches below waist, and hip measure 7 inches below waist. Then take length in front from natural waist to desired length of skirt and continue to the floor. Thus, the desired length may be 36 inches and the length to the floor 40 inches.

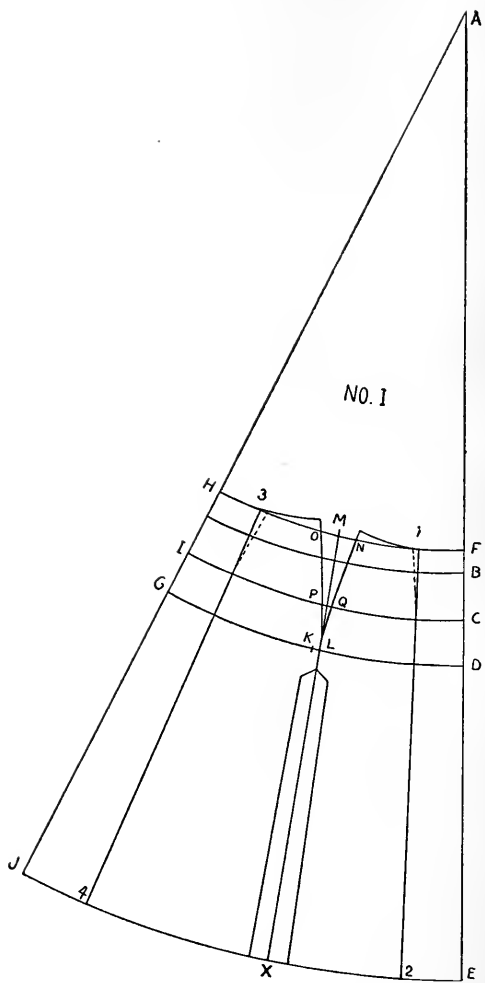
Write measure down as 36-40. This indicates that the skirt is to be 4 inches from the floor.

Then take side length and note the highest point of hips, say 3, 4, 5 or 6 inches, below waist and continue to the floor. This measure may be 41 inches. Now take length in back. This measure may be 39 inches for a person full in front and 42 inches for a person flat in front and full in back, thus indicating the amount that the skirt must be longer or shorter in the back.

In drafting skirts, especially for women who do not wear a corset, it will frequently be found that the line from C to I is too small for the first hip. Thus the skirt balances or hangs from this point and it becomes necessary to cut the skirt by the first hip measure or otherwise to make the skirt larger over the hips—therefore the absolute necessity of taking two hip measures, namely, $3\frac{1}{2}$ inches and 7 inches below waist line respectively.

It will also be observed frequently that some women are quite large about 10 inches below the natural waist or just below the corset, which is usually caused from wearing too short and too tight a corset over the hips. To avoid all this annoying alteration, cut the skirt two inches larger than the hip measure, extend darts to 10 or 12 inches below natural waist as may be needed and then take in the skirt at the sides as marked by dotted lines in chart No. 3. In this manner, the skirt has a narrower and longer appearance from the front, which is desirable for large women.

For women whose measure from the waist to the floor is longer in the front than in the back, in fact for all women who are full across the front, skirt No. 1 or 2 should be cut—preferably skirt No. 1—and some pleats put in for fullness. Make the skirt with six or more gores.



SKIRT CHART No. 1

Is for a plain skirt with a little fullness in back and is for a 40-inch hip measure, 40 inches long, 2 yards wide around the bottom and will proportionately increase for larger sizes. It is adaptable to any amount of pleats that may be desired.

To Draft

A to B is seven-eighths hip measure; B to C is $3\frac{1}{2}$ inches; B to D is 7 inches; B to E is total length; B to F is $1\frac{1}{2}$ inches, or more for high waist. Pivot at A and sweep from F-B-C-D and E. D to G is one-half hip measure. Draw line from A through G. This locates H, I and J. K is one-half distance D to G. K to L is $\frac{1}{2}$ inch. M is one-half distance from F to H. Draw line from M through L. This locates X. F to N is one-fourth waist. H to O is one-fourth waist. C to A is one-fourth first hip measure; I to F is one-fourth hip measure. Notice illustrated page No. 22 and use curve chart to draw curve lines from N through Q to L and from O through P to L. Raise waist line at N and O $\frac{3}{4}$ inch and use curve chart to draw waist line.

This completes draft for a two, three or four-piece skirt.

TO MAKE A SEVEN-GORED SKIRT

F to 1 is one-eighth waist less $\frac{1}{2}$ inch; E to 2 is one-fourth waist less 1 inch; H to 3 is one-eighth waist, and J to 4 is one-fourth waist. Take out $\frac{3}{4}$ inch at 3 for dart and $\frac{3}{8}$ inch at 1, and decrease the amount taken out from N to O with the same amount, $\frac{7}{8}$ inch. As many pleats as may be desired can be made in this skirt.

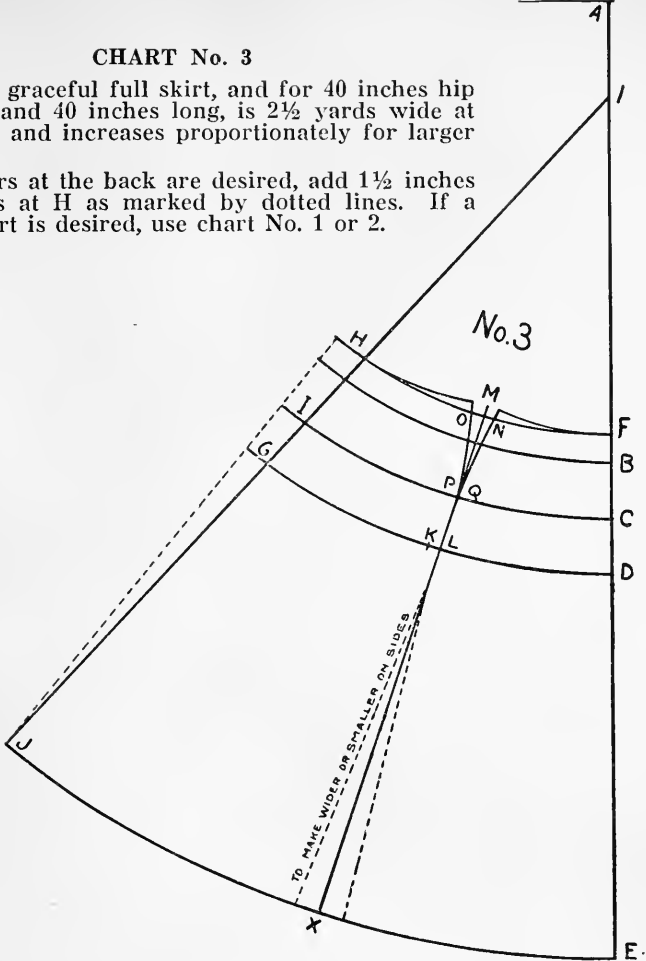
To Make a SHUR-RIGHT-FITTING Placket

See instructions page 38.

CHART No. 3

Makes a graceful full skirt, and for 40 inches hip measurement, and 40 inches long, is $2\frac{1}{2}$ yards wide at the bottom, and increases proportionately for larger sizes.

If gathers at the back are desired, add $1\frac{1}{2}$ inches or 2 inches at H as marked by dotted lines. If a pleated skirt is desired, use chart No. 1 or 2.



To Draft

A to B is five-eighths hip measure; B to C is $3\frac{1}{2}$ inches; B to D is 7 inches; B to E is the full length; B to F is $1\frac{1}{2}$ inches or more, for high waist. Pivot at A and sweep from F, B, C, D and E. D to G is one-half hip measure; A to I is one-eighth hip measure. Draw line from I through G. This locates H, I and J. K is one-half distance from D to G; K to L is $\frac{1}{2}$ inch; M is one-half distance from F to H. Draw line from M through L. This locates X; F to N is one-fourth waist; H to O is one-fourth waist; I to P is one-fourth first hip measure; C to Q is one-fourth hip measure. Notice illustrated page No. 22 and use chart to make curved lines. Draw curved lines from N through Q and from O through P. Raise waist line at N and O $\frac{5}{8}$ inch, and draw waist line as illustrated.

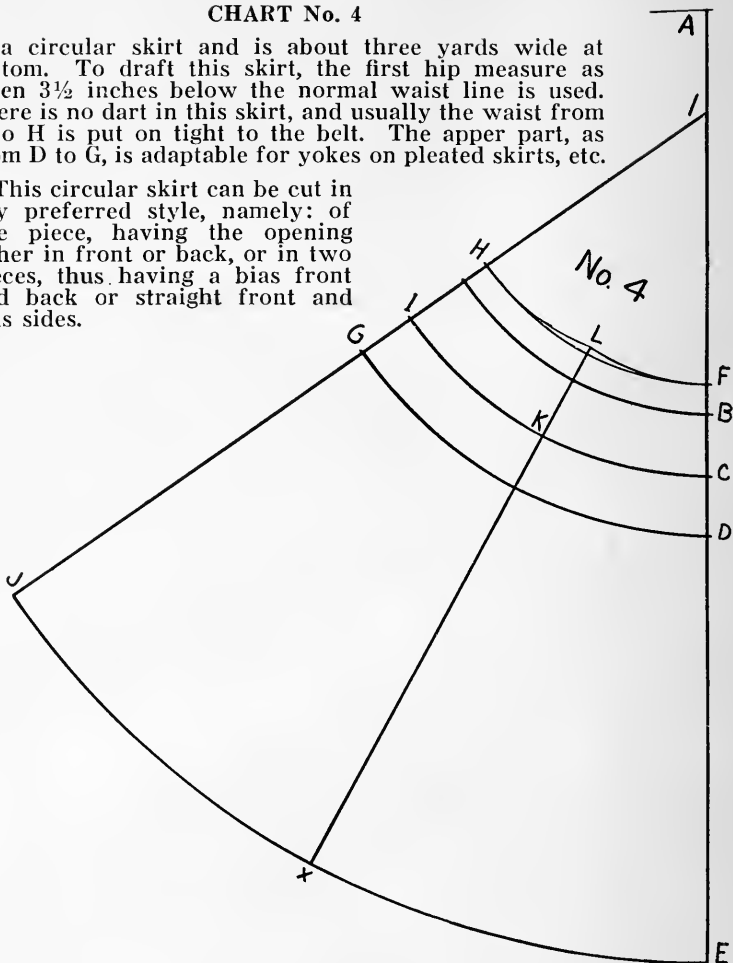
To Make a SHUR-RIGHT-FITTING Placket

See instructions page 38.

CHART No. 4

Is a circular skirt and is about three yards wide at bottom. To draft this skirt, the first hip measure as taken $3\frac{1}{2}$ inches below the normal waist line is used. There is no dart in this skirt, and usually the waist from L to H is put on tight to the belt. The upper part, as from D to G, is adaptable for yokes on pleated skirts, etc.

This circular skirt can be cut in any preferred style, namely: of one piece, having the opening either in front or back, or in two pieces, thus having a bias front and back or straight front and bias sides.



To Draft

A to B is one-half hip measure; B to C is $3\frac{1}{2}$ inches; B to D is 7 inches; B to E is the full length; B to F is $1\frac{1}{2}$ inches, or more for high waist. Pivot at A and sweep from F, B, C, D and E. D to G is one-half hip measure; C to I is one-half first hip measure; A to I is one-eighth hip measure. Draw line from I through J. This locates H, G and J. I is one-half distance from C to I. L is one-half distance from F to H. Draw line from L through K. Raise waist line $\frac{3}{8}$ inch at L and re-shape waist line.

To Make a SHUR-RIGHT-FITTING Placket

See instructions page 38.

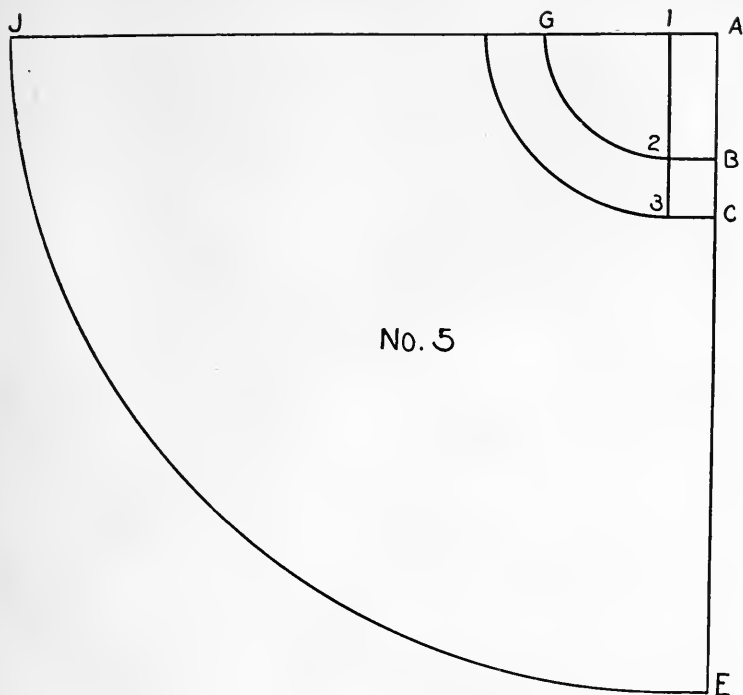


CHART No. 5

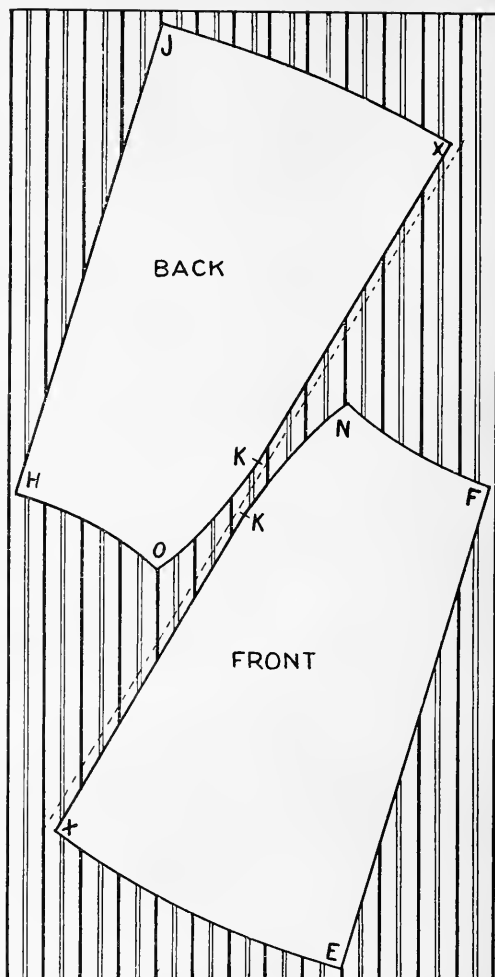
Is a full circular skirt and commences to hang full from 3 inches below the waist. No high belt is cut on this skirt, and the skirt should be made of self-sustaining material. This skirt will hang plain in front and full in back and on sides and can, if desired, be cut in one or two pieces by folding the goods over, cutting the skirt crosswise the goods and making the opening either in back or front.

To Draft

Draw rectangle as A-E, and A-J. A to B is one-fourth waist; B to C is $3\frac{1}{2}$ inches; B to E is the full length. Square out from B and C; A to 1 is $2\frac{1}{2}$ inches. Square down from 1. This locates 2 and 3. Pivot by 1 and sweep from 2, 3 and E to G and J. This completes the draft in making.

Sew the waistband on loosely from 2 to G.

To Make a SHUR-RIGHT-FITTING Placket
See instructions page 38.



TO CUT A SKIRT FROM STRIPED MATERIAL

It is advisable to use draft No. 1 or 2,—preferably No. 1. Draw line M through K, thus the front and back will be of equal size according to the chart by which the pattern is cut. Fold the back part onto the front part; pin the pattern thus folded on the material and cut out front, allowing $1\frac{1}{2}$ inches at front and $1\frac{1}{2}$ inches at sides. To cut back part of skirt, lay the front, with the pattern pinned to the material, so that pattern lays next to the goods and stripes will correspond to those of the front part. Cut the material the same as the front, fold over at top of skirt and cut the material at back as the pattern requires at the waist line. This will make the skirt bias in front, back and on sides as illustrated.

SPONGING THE MATERIAL IS VERY IMPORTANT

Incorrect sponging is many times the cause of ill-fitting garments.

It is of the utmost importance that the end of the cloth, when cutting, shall be even with the thread, the same as if you were cutting a checked material. To be sure the thread is even, tear off one inch.

Frequently the goods, from being rolled up, will be very uneven. This will show after the one-inch has been torn off. If such is the case pull the goods on the bias as much as possible so as to even up the material.

Lay the goods on table or floor, wring out a sheet of cotton goods medium dry and lay on top of woolen material, roll both up together, being careful to avoid wrinkles when rolling up. Leave goods in sponge one hour.

When taking out of sponge if material is still uneven pull on the bias while damp until goods comes even. Lay the goods on large table, preferably on papers on the floor, full length, and iron out all wrinkles while material is damp. Let lay until dry. Under no circumstances should the material be hung up to dry.

TO MAKE A SHUR-RIGHT-FITTING PLACKET IT IS NECESSARY
TO USE SHUR-RIGHT-FITTING FASTENERS

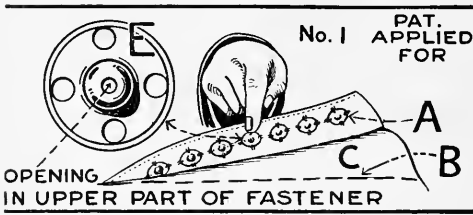


Illustration No. 1

Letter E indicates upper part of Shur-Right-Fitting Fasteners (notice opening in center). A indicates upper part of placket. Sew on all upper part of fasteners first, as indicated, about 1 1/4 inches apart. B indicates edge marking of placket; C indicates under part of placket.

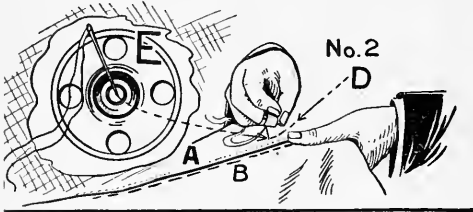


Illustration No. 2

Letter A indicates upper side of placket folded to letter B, as if fastened. Letter D indicates the manner of inserting threaded needle from upper side of placket thru fastener opening and thru under part of placket. Pull needle just thru under part of placket and open placket as in

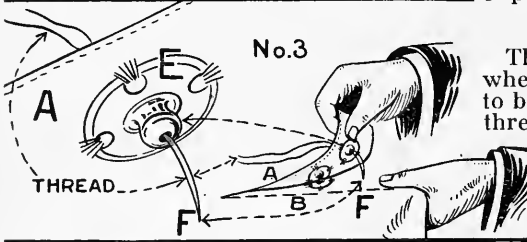


Illustration No. 3

Thus the (Shur-Right) center where lower part of fastener is to be sewed is indicated by the thread letter F.

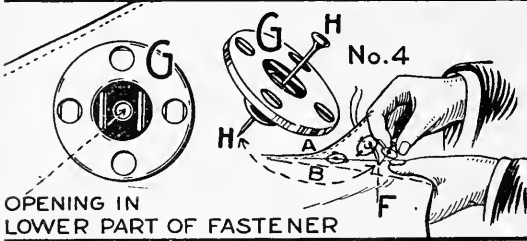
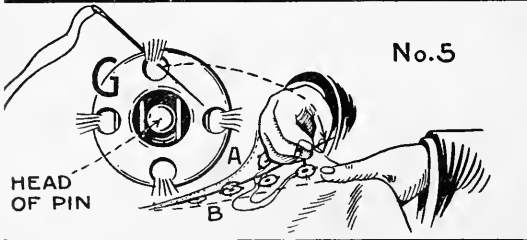


Illustration No. 4

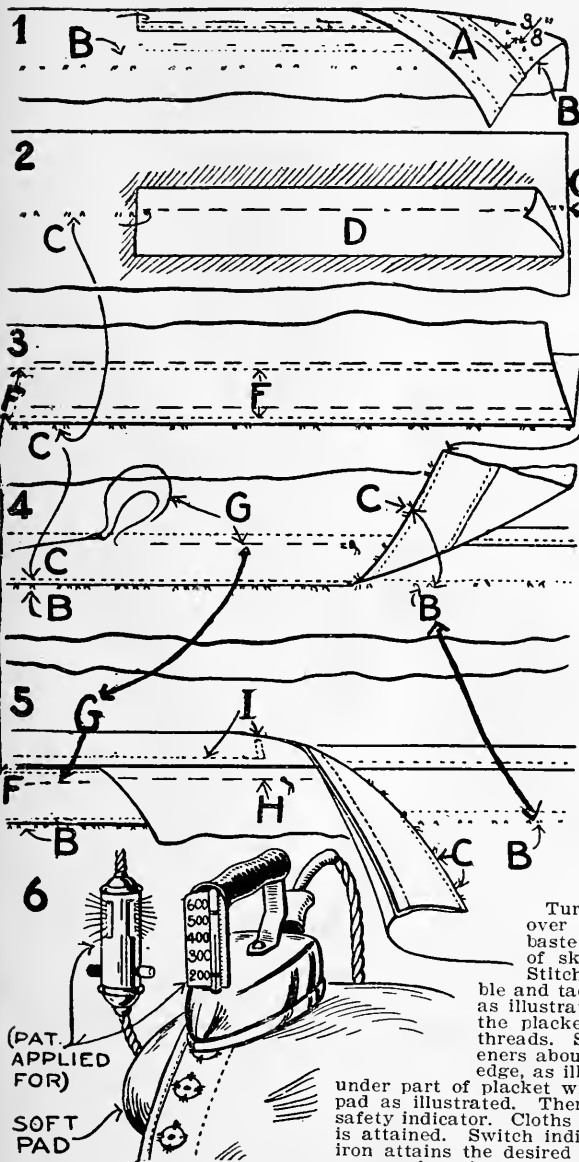
Letter G indicates lower part of Shur-Right fastener (notice opening in center); letter H indicates a pin put thru center opening of lower part of fastener. Insert pin in thread marking F, pull pin tight as in



No. 5

Hold firm and sew on fastener. Repeat same method for all fasteners and they will be a Shur-fit in the Shur-right place. There is no MARKING and no ripping, when you use Shur-right-fitting fasteners.

INSTRUCTIONS FOR MAKING PLACKET



To make placket, complete each instruction step by step before proceeding with the next number.

Plackets are twelve inches long for all sizes.

The right side of placket always fastens over on the left side.

Cut two strips of soft muslin, percale or silk lengthwise, two and a half inches wide, for placket stay.

INSTRUCTIONS No. 1

To Make Under Placket.

Letters B indicate edge or seam markings. Letter A indicates placket stay basted on wrong side of material three-eighths of an inch from edge markings B. Turn stay over the edge of material, baste and stitch as illustrated.

INSTRUCTIONS No. 2

To Make Upper Placket.

Letters C indicate edge or seam markings. Letter D indicates placket stay, basted on top of edge markings C, on wrong side of material.

INSTRUCTIONS No. 3

Fold on edge marking C; baste with small stitches the full length of skirt; stitch as illustrated by letter F. First stitching three-sixteenths of an inch from edge, second stitching one and one-fourth inches. Take out all bastings and press both fronts full length of skirt.

INSTRUCTIONS No. 4

Baste both fronts together from end of placket, so that edge markings C and B meet. Baste with small stitch as illustrated by letter G close to stitching.

INSTRUCTIONS No. 5

Turn skirt over to wrong side, fold over tight against stitching F and baste from placket down full length of skirt, as illustrated by letter H. Stitch as close to the fold as possible and tack end of placket with machine, as illustrated by letter I. In this manner the placket is finished without breaking threads. Sew on Shur-Right-Fitting fasteners about three-fourths of an inch from edge, as illustrated on page No. 38. Press

under part of placket with fasteners sewed on, on soft pad as illustrated. Thermometer on front of iron is a safety indicator. Cloths will burn when 400 degrees heat is attained. Switch indicates safety pilot light. When iron attains the desired heat, don't pull the often dangerous plug—just push the black button and the current is off. When mercury drops a few degrees, push white

button and current is on. **LIGHT IN SWITCH INDICATES WHEN CURRENT IS ON IRON**, thus enabling operator to use the iron with maximum of efficiency, minimum of current and absolute safety. The switch pilot light should hang about two or three feet below chandelier, thus being in sight as a continuous warning signal when current is on.

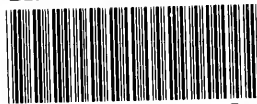
Generally men use all safety appliances. The women have none, and their efficiency is usually attained in the kitchen at the school of hard knocks. Time, money and many garments will be saved if you use the thermometer and the convenient pilot switch light on your iron.







LIBRARY OF CONGRESS



0 014 062 014 2