

WOOD

THE MAGAZINE FOR HOME WOODWORKERS

\$3.50

February 1986 • ISSUE NO. 9
Display Until February 18

• WOODWORKERS' STANDARDS

Nice-to-know design guidelines. In this issue: seating and tables

• FURNITURE STRIPPING

Tips on removing that worn-out finish

• JAPANESE HAND TOOLS

What makes them special?

• 'PEG' TREATMENT

The miracle that lets you work green wood

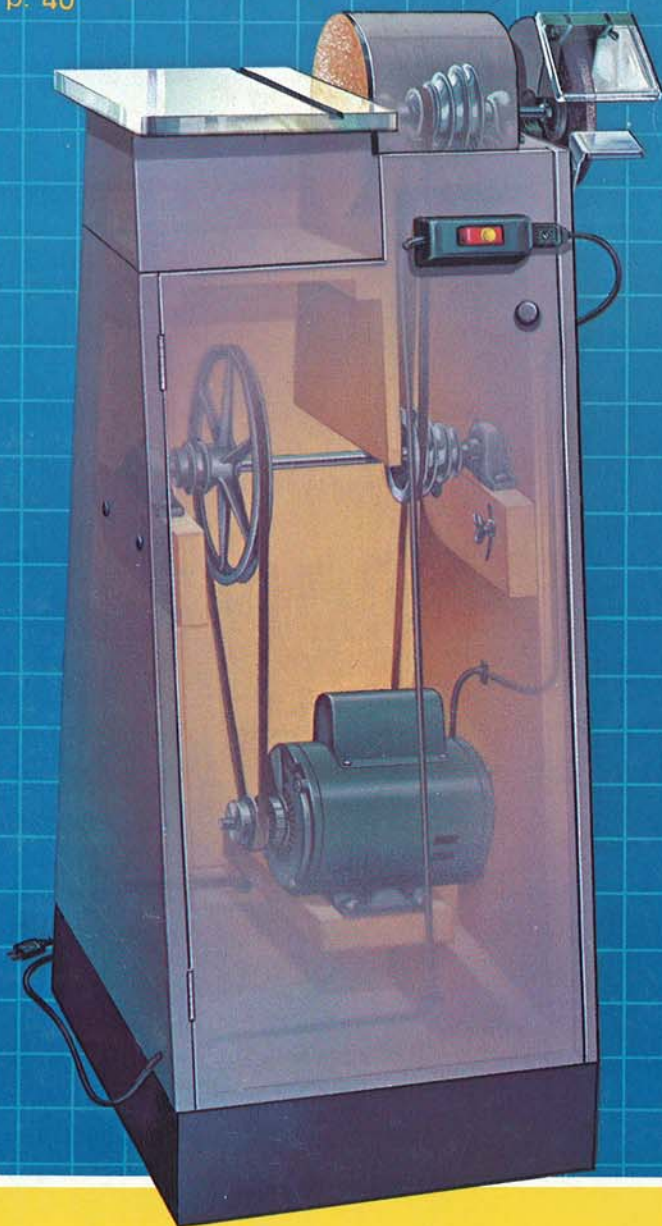
• MORE PROJECT PLANS

Oak dining table, p. 64
Zebrawood jewelry box, p. 70
3 terrific clocks, p. 78

THE AMAZING MULTI-MACHINE

It grinds, sands, and sharpens!

Plans, p. 40



BONUS!
PULL-OUT INDEX
Tips, projects, techniques
from our first 8 issues



0

1405-14072

RYOBI SANDERS... THE ONLY THING THEY DON'T TAKE OFF IS WORKDAYS.



Twenty-five hours a day, eight days a week, Ryobi sanders will be takin' it on and takin' it off with toughness and professional features you won't find with just any sander.

For example, motors are all

ball-bearing construction. Platens are extra-wide to give you flush-sanding capability and more work in less time. And speeds range from 1,500 S.F.M. for our biggest belt sander to 10,000 o.p.m. for orbital sanders.

Made for more than weekends.



1158 Tower Lane
Bensenville, IL 60106

Get down to fundamentals... Experience the joys of woodworking

Are you missing out on the joys of woodworking? Imagine for a moment the shine in your little girl's eyes the first time she sees the rocking horse you built just for her. Or think of the fun you'd have on a deck added to your house — built with your own hands. Maybe the cooks in your family would like a kitchen custom-made to their needs. Or consider how much enjoyment you'd get from your stereo system if you built your own entertainment center.

Unlike many other hobbies, woodworking is a hobby of the imagination as well as the hands. Starting with nothing more than an idea, you create things that express your individuality, creativity and common sense. You solve problems, learn new skills — and save money in the process. But most of all, woodworking is fun.



Shopsmith® helps you get the most out of woodworking...

Now is the time to experience the joy of woodworking. And Shopsmith is here to help — whether you're an experienced craftsman or a first-time woodworker. We have the tools, the products and the support you need to fully develop woodworking as your outlet.

Take the Shopsmith MARK V, for instance. The original multipurpose woodworking tool, the MARK V gives you the five most needed power tools — a table saw, vertical drill press, horizontal boring machine, disc sander and lathe — in one compact unit. It's an entire woodworking system, with precision, adaptability and quality built in. So, with very little practice, you'll be able to concentrate on the enjoyable aspects of woodworking — and leave the labor to the machine.

... with special tools and professional-quality know-how.

The MARK V is only part of the Shopsmith story. We can also supply you with almost every woodworking product and accessory you need. Take advantage of the convenience of shopping by mail or stop by the Shopsmith Store near you for products, education and invaluable free advice.



Your satisfaction is our goal.

We back all our products with an iron-clad guarantee and warranty. There's a toll-free number you can call with your woodworking questions and problems. We're committed to your woodworking education through owner's manuals, classes, seminars, magazines and catalogs. All this is part of the Shopsmith Difference, the reason Shopsmith is for better woodworkers and those who want to be.

Ask for FREE Information and Booklet.

To find out more about the rewards and the satisfactions of woodworking, call or mail the coupon below. We'll rush you a Free MARK V Information Kit plus a copy of *How To Determine Your Best Power Tool Buy*.

Special Bonus! FREE Magazine Subscription!

If you act now, as a special bonus we'll enroll you in a one-year FREE subscription to *Hands On, The Home Workshop*



Magazine. Chock full of ideas, project plans and do-it-yourself advice, this magazine is yours when you call toll-free or return the coupon below. You're under no obligation. Do it today!

Call toll-free 1-800-228-2225
In Nebraska, 1-800-642-8788.



Shopsmith Inc.

For better woodworkers
And those who want to be

6640 Poe Avenue
Dayton, Ohio 45414-2591

© Shopsmith, Inc., 1985
Shopsmith® is a registered trademark of Shopsmith, Inc.
Available in the U.S.A. and Canada Only.

Quality woodworking tools made in the U.S.A.

YES, please send me a FREE Information Kit, a copy of *How To Determine Your Best Power Tool Buy* and enroll me for a year's subscription to *Hands On*.

Name _____

Address _____

City _____

State _____

Zip _____

I currently own a Shopsmith power tool.

Mail to: Shopsmith, Inc., 6640 Poe Avenue, Dayton, Ohio 45414-2591



Dept. 377V

The New Delta 16" Motorized Band Saw.



The small-scale machine
that handles large-scale work.

How'd we pack 16" from blade to frame and 8" in depth of cut into such a compact little beauty? We gave it three wheels, not two, for higher capacity without more bulk. A rigid C-type cast-iron frame and 16" x 16" ribbed cast-iron table, to take on your biggest project with ease.

But it isn't just for big projects. It can cut curves to within 1/4" radius. And it isn't just for wood. It cuts plastic, aluminum, or sheet metal. We even include a rip fence and miter gauge for more versatility.

And, like all Delta machinery, we include the 50 years of expertise that has set standards industry-wide. All this, at a competitive price. Our new band saw doesn't need to be big to do big jobs; we figure its price doesn't either.

Call toll-free for the name of your Delta distributor. Delta International Machinery Corp. (formerly Rockwell Power Tool Division), 800/438-2486 (in PA, 800/438-2487).

DELTA
Behind Our New Name Is Our Old Reputation.

Better Homes and Gardens®

WOOD

THE MAGAZINE FOR HOME WOODWORKERS

February 1986 • Vol. 3, No. 1 • Issue No. 9

Editorial/Art Staff

Editor **LARRY CLAYTON**
Managing Editor **DAN KAERCHER**
Art Director **C. L. GATZKE**
Design Editor **JAMES R. DOWNING**
Features Editor **PETER J. STEPHANO**
How-To Editor **MARLEN KEMMET**
Project Builder **JAMES E. BOELLING**
Graphic Designer **PERRY A. McFARLIN**
Administrative Assistant **DARLENE REYNOLDS**

Technical Consultants: **GEORGE GRANSETH** Product Testing; **VERNON U. WARD** Collectible Tools; **PAUL L. McCLURE** Wood Technology

Editorial Director **DORIS M. EBY**
Publishing Director **ADOLPH AUERBACHER**

Editorial Services

Executive Director **DUANE L. GREGG**
Director, Editorial Research **C. RAY DEATON**
Administrative Editor **ROSE ANDERSON**

Publisher **JERRY KAPLAN**
Promotion/Research Director **THOMAS J. TROLAND**
Circulation Director **WILLIAM HUMMEL**
Production Director **DALE SCHENKELBERG**

Publishing Group Officers

President **JACK D. REHM**
Senior Vice Presidents
General Manager,
Magazines **JAMES A. AUTRY**
General Manager,
Books and Newspapers **FRED STINES**
Group Vice President
Editorial Director **DORIS M. EBY**

Corporate Officers

Chairman of the Board **E. T. MEREDITH III**
President **ROBERT A. BURNETT**
Group Presidents: Publishing **JACK D. REHM**; Broadcasting **W. C. McREYNOLDS**; Real Estate **ALLEN L. SABBAG**
Vice Presidents: Corporate Relations **DONALD L. ARNOLD**; General Counsel and Assistant Secretary **THOMAS G. FISHER**; Product Development **NEIL KUEHNL**; Corporate Planning **HERB SCHULTE**; Finance **WILLIAM H. STRAW**; Administrative Services **GERALD D. THORNTON**

Secretary **BETTY CAMPBELL MADDEN**
Treasurer **MICHAEL A. SELL**
Controller **LARRY D. HARTSOOK**

Better Homes and Gardens® WOOD — the magazine for home woodworkers (ISSN-0743-894X) is published bimonthly in February, April, June, August, October, and December by Meredith Corporation, 1716 Locust Street, Des Moines, IA 50336. Second-class postage paid at Des Moines, Iowa. Trade-mark registered in Canada and Australia. Marca Registrada en Mexico. **SUBSCRIPTION PRICES:** One year \$18 in the United States and its possessions. Canada and other countries add \$6 per year. **POSTMASTER:** Send address changes to WOOD, 1716 Locust Street, Des Moines, IA 50336. February 1986, Vol. 3, No. 1, Issue No. 9. **CUSTOMER SERVICE:** For service on your magazine subscriptions, including change of address, write to Customer Service Manager **ROBERT AUSTIN**, P.O. Box 10628, Des Moines, IA 50336. Please enclose a recent address label.

©COPYRIGHT MEREDITH CORPORATION 1985. ALL RIGHTS RESERVED. PRINTED IN U.S.A.

X-ACTO INVITES YOU TO Craft your own Vintage 1931 Duesenberg



Actual length of car: 8 inches.

Now, for the first time, X-ACTO captures the peerless automobiles of this century in the richness of genuine hardwood.

Duesenberg. Unquestionably one of the very finest motor cars built in the 1930's. A car of such beauty and refinement that, for more than half of a century, it has been a source of supreme pride for the few who could afford to own one.

Today you can share in the Duesenberg legend and experience the personal satisfaction of crafting this vintage car with your very own hands. Because now, the makers of X-ACTO® brand precision tools and hobby products, bring you the incomparable Duesenberg in a wood kit you build yourself.

Meticulously Designed and Detailed

Perfect for beginning craft enthusiasts, yet challenging enough for experienced woodcrafters, the Duesenberg Vintage Car kit features over 60 pieces, including precision-cut hardwood parts and handsome brass details, and complete instructions for assembling and staining. You'll also receive FREE finishing materials and a history card detailing the specifications and unique personality of this classic automobile.

Available Exclusively by Mail

The 1931 Duesenberg J-Arlington Sedan is the first in a series of Vintage Car kits and will not be sold in hobby

shops or stores. The series spans automotive history from 1912 to 1957, including distinguished models such as the 1931 Rolls Royce Phantom and the 1955 Thunderbird (as well as models pictured here).

Complete Satisfaction Guaranteed

Send for your Duesenberg kit now for only \$19.95.* If not completely satisfied, you may return it for a full refund. Keep the Duesenberg, and you will become a certified member of the Vintage Car Club of America, which entitles you to examine other Vintage Car kits in the series, with no obligation to buy.

To get your Duesenberg kit, mail the coupon today.

FREE!

This Vintage Car Club Map Case holds your history cards, which come with each kit, and your Club Membership Certificate. Perfect for storing road maps in your glove compartment. *Yours to keep, even if you return your Duesenberg kit.*



Each Vintage Car comes with hardwood base and brass name plate. Top: 1912 Ford Model T Touring Car. Bottom: 1929 Mercedes SSK Roadster.



Vintage Car Club of America
80 Newbridge Road, Bergenfield, NJ 07621

Please send me the Duesenberg Vintage Car kit by X-ACTO for only \$19.95.* If I am not completely satisfied, I may return it for a full refund. If I decide to keep the Duesenberg, I will become a certified member of the Vintage Car Club of America and receive one Vintage Car kit per month for the same low price of \$19.95.* However, I am under no obligation to buy any additional kits — ever, and I may cancel my membership at any time.

The Map Case is my FREE GIFT even if I return the Duesenberg Kit.
I prefer to pay as follows:
 Check or Money Order enclosed Bill me prior to shipment FD-06
Or charge to my credit card: Visa American Express Diners Club
 MasterCard (INTERBANK NO. _____)

ACCOUNT NO. _____ EXP. DATE _____

SIGNATURE _____

Mr. Mrs.
Miss Ms.

NAME _____

ADDRESS _____

CITY _____ STATE _____ ZIP _____

*Plus state sales tax and \$2.95 shipping and handling.

**NOW!
REDUCE THE
RISK AT YOUR
TABLE SAW**



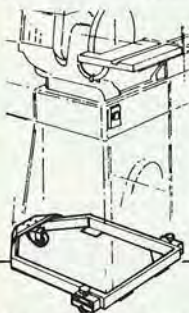
folds down neatly

WITH THE **MOBILE™**
NEW **SAWING CENTER**

OUTFEED ROLLERS

- safe, accurate sawing
- handle panels with ease
- available in 15" and 37" widths
- dual-position table

AND INCREASE FLOOR SPACE



MOBILE MACHINE BASES

- increase shop working area
- maximize usable floor space
- 3 point base will not rock
- locking wheels
- makes machine so easy to use and store
- over 80 standard models

PLANER STAND WITH ROLLERS

- raises planer to proper working height
- provides machine mobility
- five-fold increase in workpiece support
- storage is a snap



NEW



ROLLERTABLE Rock Solid Support

- adjustable
- portable
- use at any machine

PEDESTAL ROLLER

Discover HTC's many unique products designed only with you, the dedicated woodworker in mind. Find out how you can make your machining safer, increase working area of your shop and accomplish nearly impossible tasks easily, quickly and accurately - **all by yourself!**

CALL TODAY!

HTC PRODUCTS, INC.
120 E. HUDSON S-8
ROYAL OAK, MI 48067
(313) 399-6185



1-800-624-2027 ext. 112

Better Homes and Gardens®

WOOD

THE MAGAZINE FOR HOME WOODWORKERS

FEBRUARY 1986

ISSUE NO. 9

WOOD PROFILE

BASSWOOD: "HOW SWEET IT IS!"

35

Carvers aren't the only ones who love this easygoing wood: The basswood's flower also finds its way into perfumes and honey.



CRAFTSMAN CLOSE-UP

SECRETS OF A PRODUCTION TURNER

36

Up Canada way, we visited the shop of a world-class turning expert. Now you can learn the priceless techniques that Bert Thompson acquired from his forebears.



HOMEMADE TOOL

THE AMAZING 8-SPEED MULTI-MACHINE

40

Even the term "multi-use" doesn't do justice to this incredibly hardworking homemade tool, designed for sanding, grinding, and sharpening.

PEG: THE MIRACLE TREATMENT THAT TURNS YOUR WOODPILE INTO A LUMBERYARD

46

It's fast and it's fun. It's also somewhat unpredictable. Let us introduce you to the fascinating chemical that "freezes" wood in its green state, preventing cracks, checks, shrinking, and warping.



TOOL BUYMANSHIP

MADE IN JAPAN: DO THE JAPANESE HAVE A BETTER HAND-TOOL IDEA?

50

More and more American woodworkers are becoming enchanted by hand tools from the Land of the Rising Sun. Why? Because these tools really work, often in surprising ways.



WOODWORKERS' STANDARDS: SEATING

54

Standard dimensions have been refined by woodworkers through the years, but they're often difficult to look up in one place. We aim to correct that in this and upcoming issues of WOOD. Here we'll discuss how to scale truly comfortable seating.

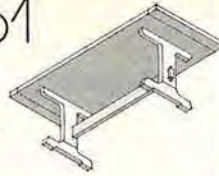
CUMULATIVE INDEX: ISSUES 1 THROUGH 8

57

We've compiled all the projects, techniques, buymanship advice, and other topics from our first eight issues into a handy, pullout index.

WOODWORKERS' STANDARDS: TABLES 61

When you set out to design a table, you probably know what style and function you want. You also need an idea of how to support it, and what the dimensions should be. Here's help.



FURNITURE PROJECT

YOUR TABLE IS WAITING! EXPANDABLE OAK DINING TABLE 64

This elegant oak dining table extends to accommodate up to eight in grand style. Build yours with a top of oak veneer, or opt for the durability of a laminate top.



A JEWELRY BOX OF A DIFFERENT STRIPE 70

Beautiful West African zebrawood makes this three-drawer box just as eye-catching as its contents. It's a beauty, fit for a sweetheart!



FINISHING AND REFINISHING

OFF WITH THE OLD: A WORKSHOP GUIDE TO FURNITURE STRIPPING 72

The key to success in any furniture stripping project lies with the chemical you choose to do the job, and in applying it properly. See what we mean in this step-by-step feature.



HOME ACCESSORY PROJECTS

TIME AND TIME AGAIN: 3 GREAT CLOCKS TO BUILD 78

Build this striking see-through pendulum clock with the clock movement showing, or with the burlled-veneer face.



Our Art Deco mantel clock is almost embarrassingly fast and easy to make. We won't tell if you don't. . . .



The things you can do with wood! By laminating curly maple with the edge grain up, we achieved a luminous look similar to that of a real fish (only this one won't get away).



SHORT-SUBJECT FEATURES

Editor's Angle	6	Wood Anecdote	86
Talking Back	12	Talking Shop	95
Shop Skills Step-by-Step . . .	14	Old Hand Ways: The Cabinetmaker	96
Shop Tips	18	Ask WOOD	100
Magazine Customer Service Information	22	How to Properly Tighten Handscrews	104
Products that Perform	28	Bulletin Board	114
Project Showcase	76		

Woodworkers' Hardware ORDER FORM

Qty.		Note: C = 100	Total
		Black Hammer Hinge	\$2.70/2 \$1.62/2
		Screw for Above	\$11.95/10 \$7.17/10
		Birch Mug Peg	\$4.49/ea. \$2.26/ea.
		Birch Shaker Peg	\$4.47/ea. \$2.28/ea.
		Birch Furniture Spindles 6 inch	\$7.70/ea. \$.42/ea.
		Birch Furniture Spindles 8 1/2 inch	\$1.20/ea. \$.72/ea.
		#S4 Galley Spindle	Birch \$.26/ea. \$.17/ea.
		Oak #S4 Galley Spindle	\$1.35/ea. \$.21/ea.
		#S5 Galley Spindle	Birch \$.41/ea. \$.25/ea.
		Wood 7/8"	\$7.80/C \$4.80/C
		Wood 1"	\$11.68/C \$6.95/C
		Wood 1 1/4"	\$15.00/C \$9.00/C
		Wood 1 1/2"	\$18.35/C \$11.01/C
		Wood 1 3/4"	\$26.00/C \$15.60/C
		Wheels 2"	\$32.60/C \$19.50/C
		#AP1 Axle Peg	Fits 1" to 2" Wheel \$8.95/C \$4.17/C
		Brass Plated Flat Head Wood Screws	
		3/8" x #2	\$4.17/C \$2.50/C
		1/2" x #2	\$4.28/C \$2.57/C
		1/2" x #4	\$4.40/C \$2.64/C
		1/2" x #5	\$5.63/C \$3.02/C
		3/4" x #7	\$5.27/C \$3.16/C
		Screw Hole Buttons	3/8" \$3.03/C \$1.82/C
		1/2" \$3.23/C \$1.94/C	
		Dowel Pins 3/8" x 2"	\$3.98/C \$1.85/C
		Saw Tooth Hangers	\$6.95/C \$4.17/C
		Brass Plt.	
		Picture Hanger	\$7.95/C \$4.77/C
		Clock Movements w/Hands Q82	\$10.62/ea. \$6.37/ea.
		5" Clock Dial - White Plastic	\$49.50/5 \$29.70/5
		Lazy Susan Bearing	3" \$1.16/ea. \$.69/ea.
		4" \$1.60/ea. \$.96/ea.	
		6" \$2.80/ea. \$1.73/ea.	
		Brass Plated Candle Cup	\$5.00/10 \$3.00/10
		Two Prong, 6" Brass & Porcelain Hook	\$4.95/ea. \$2.97/ea.
		Three Prong, 6" Brass & Porcelain Hook	\$45.00/10 \$27.00/10
		Jiggle Eyes	(1/4") \$2.45/C \$1.47/C
		(1/2") \$3.45/C \$2.07/C	
		(4/5") \$5.65/C \$4.11/C	
		Disk Magnets	\$2.98/6 \$1.79/6

Note: C = 100

Catalog \$1.00 or free with order Total Order

Minimum Order is \$25.00 MN Res. - 6% Tax

Order Amount: Shipping: Shipping:

\$25.00 to \$49.99 \$3.50 Total Enclosed

\$50.00 to \$99.99 \$4.50

Over \$100.00 \$5.00 Visa Master Card

MONEY BACK GUARANTEE! Alaska, Hawaii, Canada & APO Orders Add \$6.00

SIGNATURE _____

CARD NO _____ EXP DATE _____

NAME _____




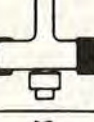
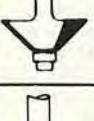
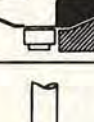
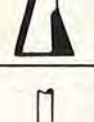




ADDRESS _____ CITY _____

STATE _____ ZIP _____ PHONE () _____

MEISEL HARDWARE SPECIALTIES
PO Box 258W2, Mound, Minnesota 55364 • (612) 472-5544

**CARBIDE TIPPED ROUTER BITS
PROFESSIONAL PRODUCTION QUALITY
SPECIAL OFFER – SAVE 50% - 75% BELOW COST**

1000's SOLD TO READERS OF FINE WOODWORKING

BEST CUT BEST PRICE	ITEM NO.	DESCRIPTION	RADIUS	LARGE DIAM.	CUTTING LENGTH	PRICE
	COVE					
	#01	1/4" R	1/4"	1"	1/2"	\$13.00
	#02	3/8" R	3/8"	1 1/4"	9/16"	14.00
	#03	1/2" R	1/2"	1 1/2"	5/8"	15.00
	ROUND OVER					
	#04	1/4" R	1/4"	1"	1/2"	15.00
	#05	3/8" R	3/8"	1 1/4"	5/8"	16.00
	#06	1/2" R	1/2"	1 1/2"	3/4"	19.00
	ROMAN OGEE					
	#07	5/32" R	5/32"	1 1/4"	15/32"	18.00
	#08	1/4" R	1/4"	1 1/2"	3/4"	20.00
	RABBETING					
	#11	3/8" R	Deep 3/8"	1 1/4"	1/2"	14.00
	#09	1/8" (KERF) SLOT CUTTER		1 1/4"	1/8"	14.00
	#10	1/4" (KERF) SLOT CUTTER		1 1/4"	1/4"	14.00
	#12	45° CHAMFER	45° Angle	1 1/2"	5/8"	15.00
	#15	RAISED PANEL	20° Angle	1-5/8"	1/2"	25.00
	DOVETAIL BITS					
	#16	3/8" DOVETAIL	9°	3/8"	3/8"	7.50
	#17	1/2" DOVETAIL	14°	1/2"	1/2"	8.50
	#18	3/4" DOVETAIL	14°	3/4"	7/8"	10.50
	CORE BOX (ROUND NOSE)					
	#19	3/8" CORE BOX	3/16"	3/8"	3/8"	11.00
	#20	1/2" CORE BOX	1/4"	1/2"	11/32"	14.00
	#21	3/4" CORE BOX	3/8"	3/4"	5/8"	18.00
	GROOVE FORMING OGEE					
	#22	1/2" GROOVING OGEE		1/2"	3/8"	16.50
	#23	3/4" GROOVING OGEE		3/4"	7/16"	21.00
	#24	1/4" Straight Bit		1/4"	1"	7.00
	#25	5/16" Straight Bit		5/16"	1"	7.00
	#26	3/8" Straight Bit		3/8"	1"	7.00
	#27	1/2" Straight Bit		1/2"	1"	7.00
	#28	3/4" Straight Bit		3/4"	1"	10.50
	#13	1/2" FLUSH TRIM		1/2"	1"	8.50
	#14	3/8" KEY HOLE (This Bit only HSS)	CUTS 3/8" KEY HOLE FOR FLUSH MOUNTING PICTURE FRAMES, ETC.			8.50

WHEN ORDERING ANY 3 OR MORE, DEDUCT \$1.00 EACH
ALL PRICES POSTAGE PAID

- Professional Production Quality
- 1/2" Ball Bearing Pilot
- 1/4" Diameter Shanks x 1 1/4" Long
- One Piece Construction
- Two Flute Thick High Quality Tungsten Carbide Tips

To order by Master Charge or Visa Toll Free
7 Day — 24 Hour Order Service Call

1-800-523-2445 Ext. 56 (in PA 1-800-346-7511 Ext. 56)

or send check to: **MLCS, Box 53D, Rydal, PA 19046**

THE EDITOR'S ANGLE

Never turn your back on an angry band-saw blade




Our Managing Editor does battle with a wily band-saw blade.

The other day when I offered to show Dan Kaercher, *WOOD's* Managing Editor, how to fold a band-saw blade, I asked him to come into the shop so I could record the experience photographically. Just for fun, we outfitted him in battle garb. Being fairly new to woodworking, Dan didn't know what to expect. But in a matter of minutes, he had the technique down pat. And, boy, was he proud!

When I saw Dan's sense of satisfaction, I was reminded once again of the truism that nothing is difficult once you know how to do it. And that's one of the main reasons why we are beginning a series of articles under the heading "Develop Your Shop Skills Step-by-Step." In it, we'll cover a myriad of topics that will add to your overall woodworking skill level. In this issue you can learn one good way to fold a band-saw blade on page 14. And in upcoming issues, we'll cover topics such as how to adjust a hand plane, sharpen and set jointer blades, turn your router into a precision circle cutter, change step pulleys on adjustable-speed motors, and much more—all step-by-step.

Two other series also make their debut this time out. In the first installment of "Talking Shop with Our Project Builder" on page 95, Jim Boelling explains why he uses the "dead-reckoning approach" to measurement when building a project. And don't miss our first "Woodworker's Standards" article, which summarizes some hard-to-find design standards for seating and tables. Look for it on page 54.

Larry Clayton

 Print this article

RIPSTRATE®

The Finger Saver That Saves Work And Improves the Job

Most safety devices require frequent adjustment. They usually wind up in a corner, not saving anything at all.

The RIPSTRATE guides the work against the fence. It requires no adjustment. No hands near the blade. No leaning over the saw table. No spoiled stock. NO KICKBACKS. No hassle. Just straight, clean cuts.

No wonder thousands of woodworkers, from amateur and professional craftsmen to large corporations, to government institutions, to colleges, to Air Force bases, now regard the RIPSTRATE as an essential part of their woodworking shops. After all, we are only born with ten fingers.

30 day money back trial. One year guarantee. \$62.50 plus \$3.50 shipping. Check, M.O., Visa or M/C. Free brochure.

Write or call our toll free number.
800 421 0256

FISHER HILL PRODUCTS
4 Fisher Hill
Fitzwilliam NH 03447



Dealer inquiries invited.

PORTER-CABLE

PROFESSIONAL POWER TOOLS

for the best
quality at the
best prices



Model No. 7548

New Variable Speed Orbital Jigsaws

Jigsaws feature a solid steel blade carrier and patented blade-guide assembly.

7548 Top-Handle Jigsaw
7648 Barrel-Grip Jigsaw
\$141.60



Model No. 330

Finish Sanders

330 4½ × 4½, 12,000 rpm sander

\$59.95

505 9½ × 4½, 10,000 rpm sander

\$109.50



Model No. 630

Routers

630 1 HP, 22,000 rpm router

\$105.50

690 1½ HP, 22,000 rpm router

\$137.50

691 1½ HP, 22,000 rpm, D-handle router

\$155.00

We pay shipping costs!

Toll-Free Order Line

1-800-638-6405

w.s. JENKS & Son

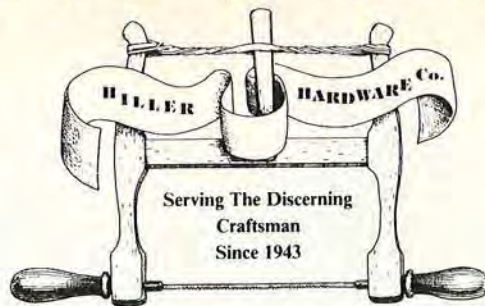


738 7th St. NW
Washington DC 20001
(202)737-7490

2024 West Virginia Ave. NE
Washington DC 20002
(202) 529-6020

MAKITA • PORTER CABLE • ROCKWELL • BOSCH • LION

FREUD • GILLESPIE • DOWEL-IT-CLESCO • NULIFE • WATCO • RECORD • MARPLES



Blade	Description	Teeth	List Price	Hiller's Price
LU84	Combination	50	74.51	39.76
LU85	Combination	80	110.88	64.95

Prices Quoted Delivered PPD on \$75.00 Order

freud INDUSTRIAL

10" CARBIDE TIPPED BLADES

WRITE FOR OUR NEW FALL/WINTER CATALOG

1411 Assembly Street
Columbia, S.C. 29202
P.O. Box 1762
(803) 779-3131

HEGNER • STANLEY • GREENLEE • HENCKELS • MERIT

BLACK & DECKER • MILWAUKEE • FORSTNER • JORGENSEN • 3M • W.L. FULLER

ANNOUNCING

The New 1986 Edition

At last, a single source for the woodworker, homeowner, and builder to become well informed about the selection of all types of stationary and hand held power equipment.

WOODWORKERS BUYER'S GUIDE TO POWER TOOLS

INCLUDING

- *STATIONARY POWER TOOLS
- *HAND HELD POWER TOOLS
- *MISC AND SPECIAL EQUIPMENT
- *IN-DEPTH EXPERT ADVICE

1986

OUR 1986 BUYER'S GUIDE CONTAINS:

- Thousands of photos, facts, charts, prices, and product descriptions of all types of woodworking equipment.
- Information on all stationary power tools such as table saws, planers, jointers, etc.
- Information on hand held power tools such as sanders, routers, jig saws, etc.
- Information on miscellaneous specialty equipment such as dust systems, spray equipment, moisture meters, etc.
- Expert, in-depth commentary and advice on each tool. This alone is worth more than the price of the book.
- Recommended to anyone who uses power tools, both amateur and professional, whether you are building family heirlooms or doing home repairs.
- A special section on electrical motor, starters, phases, etc.

Now you have a chance to **LOOK BEFORE YOU BUY.** There are over 35 CATEGORIES of machines from the common to the unusual. This is the best source of information available anywhere.

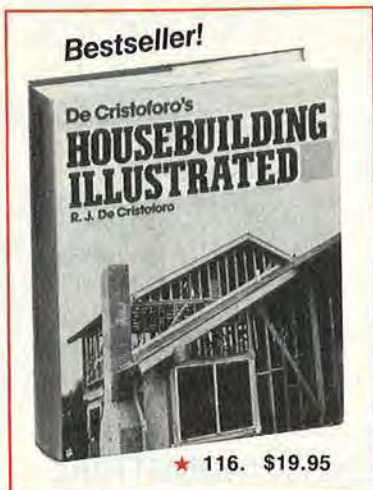
A \$25.00 value. Order now at the low introductory price of only \$13.50 plus \$1.50 shipping. Send check or money order, Visa or MasterCard number with signature, card number and expiration date. Return in 10 days for a full refund if not satisfied. Send to:

JM Publications, Inc.

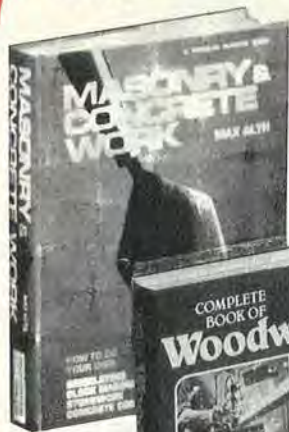
Dept. BG-1, 13 Walton Mall, Box 1408, Hendersonville, TN. 37077-1408
(615) 822-0857

AVAILABLE JANUARY 1986

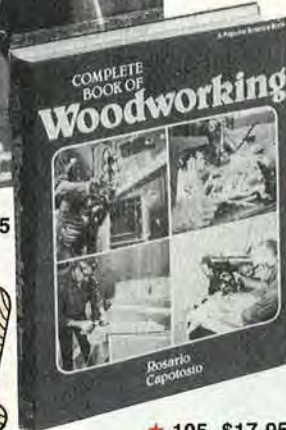
JOIN the #1 Club for Today's



★ 116. \$19.95



★ 089. \$14.95



★ 105. \$17.95



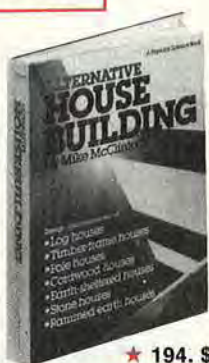
★ 085. \$24.95



5960. \$27.95 (counts as 2)



5882. \$19.95



★ 194. \$32.95 (counts as 2)



3 SKILL BOOKS—Count as 1

★ 1208. \$14.85 Paper (count as 1)

POPULAR SCIENCE BOOK CLUB—the #1 book club for today's do-it-yourselfer—invites you to take your pick of the best new, hard-to-find handyman books published today. Take any 3 for just \$3.95! Values up to \$95.85! Nearly 50 books to choose from!

As a Club member, you get first choice of today's best new, hard-to-find handyman books: **Quality Books** from the top how-to publishers... **Authoritative books** by master builders, woodworkers, home craftsmen, construction experts... **Clear show-how books** illustrated with step-by-step photos, drawings... everything you need to do it yourself and do it right!

You always choose from cream-of-the-crop homeowner handyman books on every important do-it-yourself subject: Home Repair & Improvement, Woodworking, Furniture Building, House Building, Wiring, Plumbing, Masonry, Cars & Car Repair, Energy Savers, Home Remodeling... and much more. Club members may also select original custom-written "Popular Science Books" (see titles with ★). Each written on an important do-it-yourself subject... each published specifically for PSBC and offered nowhere else at Club discount!

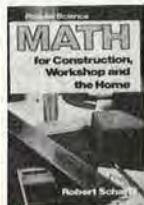
NO-RISK GUARANTEE: If not completely satisfied with your three joining selections, after 10 days' free trial examination at home, simply return the books at our expense and your membership will be cancelled. Whatever you decide, the Shop Guide is yours to keep **FREE!**



5981. \$17.95



5829. \$19.95



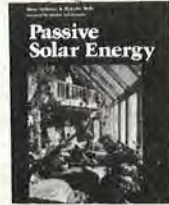
★ 160. \$22.50



★ 097. \$13.95



233. \$16.95



5657. \$17.95



5943. \$19.95



5830. \$28.95 (counts as 2)



★ 176. \$24.95



5862. \$24.95



5738. \$13.95



210. \$15.95



5838. \$25.95



5863. \$26.95 (counts as 2)



5982. \$19.95



5569. \$17.95

TO GET YOUR BOOKS, MAIL ATTACHED CARD TODAY! If card is missing, write to:

Do-It-Yourselfers!

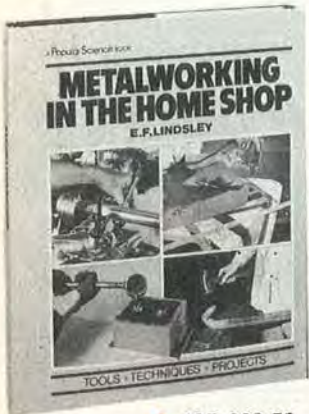


Take any 3 for just \$3.95

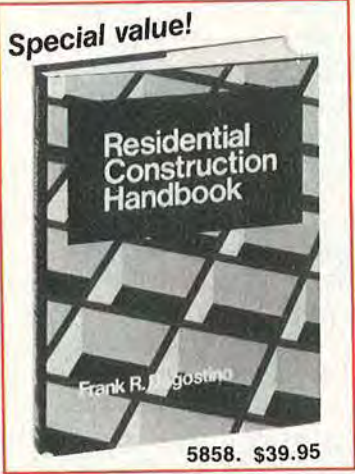
with NO-RISK Free Trial Membership in POPULAR SCIENCE BOOK CLUB

You simply agree to buy just two more regular selections or alternates at regular Club prices within a year.

Values up to **\$95.85!**



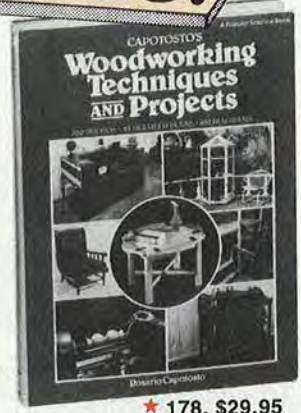
★ 185. \$30.50 (counts as 2)



5858. \$39.95



★ 109. \$15.00



★ 178. \$29.95

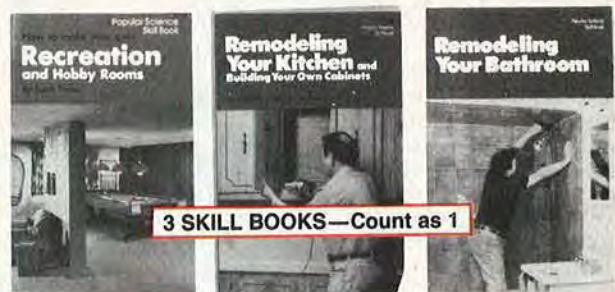
HOW YOUR CLUB WORKS

- First, you choose any three do-it-yourself books shown here for just \$3.95 plus delivery and handling. Send no money now. Your books will be sent right away along with your **FREE SHOP GUIDE**.
- Then, about every four weeks (14 times a year), you'll receive a Club Member's bulletin describing the coming new Main Selection and Alternate Books also available. (In addition, up to 4 times a year, you may receive selected mailings on seasonal and annual products of special interest to the membership—many at giant bargains!) If you want the Main Selection only, do nothing. It will be sent automatically. If you don't want the Main Selection, or want an Alternate Book, or no books, simply indicate your wishes on the handy form that comes with the bulletin and return it by the date shown.
- You will always have at least 10 days in which to do this. But in the unlikely event that you don't have 10 days, and you receive an unwanted selection, you may return it at our expense. Your only obligation is to buy just two more selections or alternates at regular Club prices within a year. After that, your membership may be cancelled by either you or the Club.
- **Discounts!** Club books are comparable in every way to the original publishers' editions, yet you may save up to 50% and sometimes more on many special bargains offered each year in the Club. To become eligible for these bargains, mail the postage-free card today!

FREE when you join
POPULAR SCIENCE 20-IN-ONE SHOP GUIDE



This handy shop guide measures in inches, centimeters. It's also a compass, protractor, drill and chisel grinding gauge, bolt and screw sizer, and penny nail measurer, more!



3 SKILL BOOKS—Count as 1

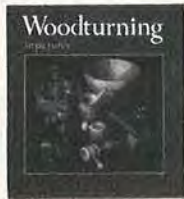
★ 1745. \$14.85 (count as 1)



5930. \$19.95



5607. \$19.95



5852. \$17.95



5853. \$15.95



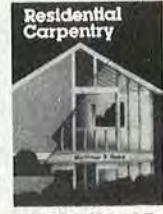
★ 119. \$10.95



2379. \$21.95



★ 113. \$15.95



5522. \$28.95 (counts as 2)



5872. \$21.95



5986. \$22.95



5910. \$19.95



5596. \$9.95
Paper



5881. \$16.95



★ 042. \$17.95



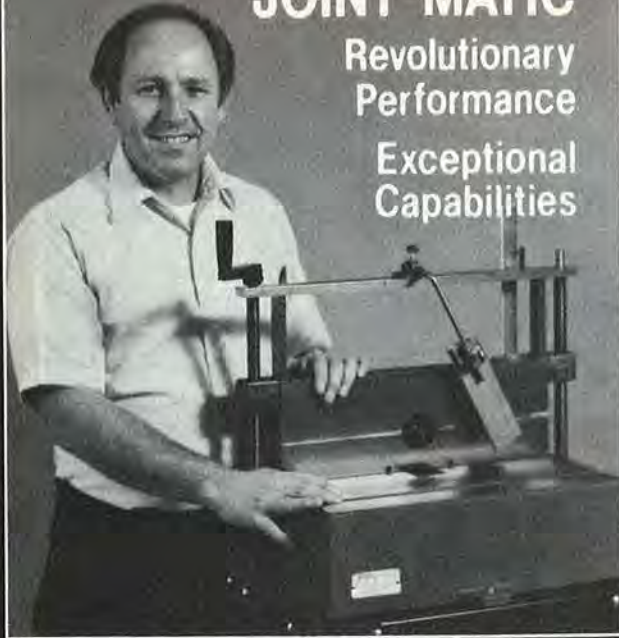
5857. \$21.95



5831. \$19.95

JOINT-MATIC

Revolutionary
Performance
Exceptional
Capabilities



... The Joint-Matic 4200 is a new system in joinery that offers operating convenience, efficiency and accuracy that can not be compared to anything on the market. The Joint-Matic will help you produce woodworking pieces of elegance, precision and beauty more quickly and expertly than you ever thought possible. Now, in minutes make ... Mortise, Tenon, Sliding and Through Dovetail, Box Finger Joint and much much more. Exclusive features of the Joint-Matic are so advanced in design and simplicity that set up time has been all but eliminated.

Features:

- Built for ruggedness and rigidity the table and slide unit have extra deep ribbing allowing a more accurate and chatter free cut.
- The base is heavy ribbed 1/2 inch thick casting, hardcoat anodized aluminum to a 52 Rockwell.
- The adjustment screws are rolled thread with a thread pitch of 3/4-16.
- Accuracy can be achieved to as close as .001th of an inch.
- Comes equipped with a 1-3/4 H.P. router.

For Your Brochure Please Send \$2.00 to:

Strong TOOL DESIGN

20425 Beatrice
Dept. W
Livonia, MI. 48152

Joint-Matic Machine Is Protected By U.S. Patent 4,163,465

We welcome comments, criticisms, suggestions ... even an occasional compliment. The volume of mail we receive makes it impossible to answer every letter, but we promise to do our level best. Send your correspondence to: Letters Editor, Better Homes and Gardens®, WOOD Magazine, Locust at 17th, Des Moines, IA 50336.

ORDERING 4×12' FLEXIBLE VENEER

You have stated that flexible veneer can be ordered in sheets as large as 4×12'. This is exactly what I am looking for. Where can I order it?

—Steven J. Shapiro, Methuen, Mass.

One manufacturer that can help is Laminating Services, 4700 Robards Lane, Louisville, KY 40218 (phone 502-458-1502). They suggested a distributor in your area: Design Wall Covering, 225 California, Newton, MA 02158. For readers in other areas, call or write Laminating Services for a distributor near you.

SURFACE SANDER UPDATE

The fun, and sometimes frustrating, thing about working here at WOOD is that somebody invariably comes up with a better idea—or at least an alternative.

All indications are that the surface sander, which appeared in our October issue (p. 48), made a big hit with WOOD readers. Many took the time to send in comments and suggestions. Here's what we learned:

• There's an excellent alternative to the wooden sanding drum and adhesive-backed paper suggested in our original plans. Universal Clamp Corp. wrote to tell us of an aluminum drum that takes precut sanding belts. Spring tension keeps the easy-to-replace belts tight as they wear and stretch.

Our shop test indicates that the drum is well machined. It comes with an extended shaft, which must be cut to length. The shaft measures 1/2" diameter, compared to 3/8" with the wooden drum. The aluminum drum comes complete with shaft, field pillow-block bearings, and 4" pulley. (Note: You may need to move the mounting holes slightly.)

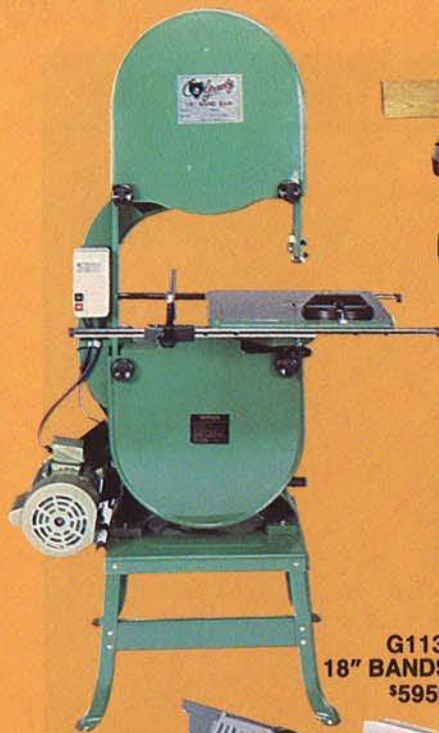
If you're interested, request further information, or place your order with Universal Clamp Corp., Dept. W, 6905 Cedros Ave., Van Nuys, CA 91405 (phone 818-780-1015). The drum, shaft, bearings, and three assorted belts are \$92.50 postpaid. Order three replacement belts (80, 100, and 120 grit), cut to size, for \$12.50.

• In case you hadn't figured this out: You must wire your motor to rotate the drum as shown in the drawing, right.

• The correct address and phone number for Woodmaster Tools in the Buying Guide is: 2908 Oak, Kansas City, MO 64108 (phone 800-821-6651). ♣



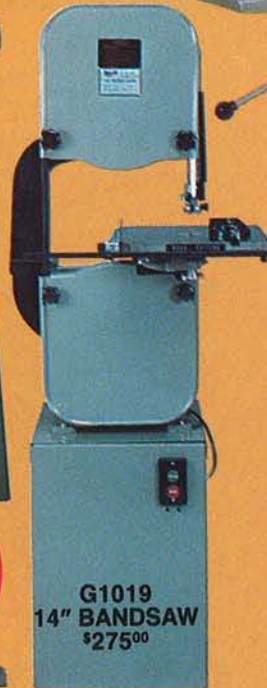
G1018
8x65" H.D. JOINTER \$575⁰⁰



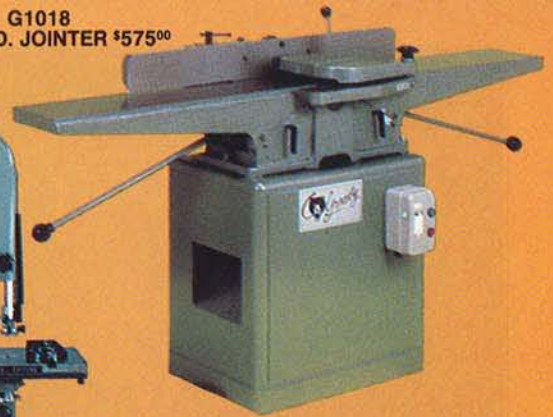
G1131
18" BANDSAW
\$595⁰⁰



G1024
1/2" SHAPER
\$245⁰⁰



G1019
14" BANDSAW
\$275⁰⁰



G1023
10" SUPER H.D.
TABLESAW
\$795⁰⁰

**GRIZZLY'S
SUPER
SELLERS!**



G1030, 3 H.P. DUST COLLECTOR
\$455⁰⁰



G1020
6x45" JOINTER
\$325⁰⁰



G1183
6x48" BELT
12" DISC
COMB. SANDER
\$330⁰⁰



G1174 WOOD COPY LATHE
\$295⁰⁰

*Make sure you mention
that you saw this
advertisement in
WOOD.*

**CALL OR WRITE FOR MORE DETAILS
AND LOW, LOW FREIGHT RATES.**

So you still don't have our fully loaded, color catalog? Send \$3.00 and we'll whip it out to you and also keep you regularly informed on specials! High quality tools and machines at lowest prices. We import and sell direct, if you don't buy from us — we both lose!



IMPORTS, INC.

P.O. BOX 2069, BELLINGHAM, WA 98227
PHONE (206) 647-0801 - SEVERAL LINES.



HOW TO FOLD AN UNRULY BAND SAW BLADE

No doubt about it! Anyone who has nerve enough can unfold a band saw blade. Just grab it in one hand, remove the ties securing it in its innocent-looking configuration, hold the darn thing out away from you, and watch all the commotion as it gyrates and twists its way to its ready-to-use shape. But folding it again—that's the trick. There are several ways to go about it. Here's one that works particularly well for us.



Start by grabbing hold of the blade as shown *above*. Two things to keep in mind here: Make sure that the teeth face you and that the loops above and below your hands are about the same size.



With your hands about 6" apart, rotate both hands inward (you may notice some discomfort here as the teeth dig into your thumbs—just kidding!). Both ends of the blade will move away from you. If they don't, move your hands closer together and try again.



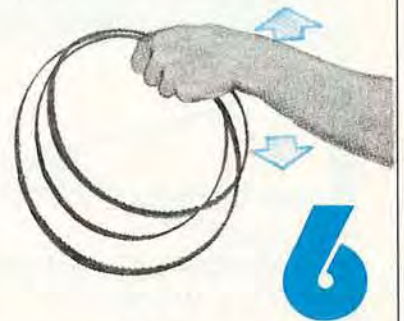
Once you've forced the blade into submission, pass the left hand over the right one. We show you the action in this and the following two sketches, but the whole thing occurs within a matter of seconds.



You can see here that as the left-hand-over-right-hand action progresses, the blade begins to contort. Don't worry, it's supposed to do that.



At the completion of the motion, the blade "magically" forms a series of rings, which you need to capture quickly with one of your hands. You may have to practice this technique several times to get it down pat, but you'll be the master of your blades in no time at all.



Now comes the easy part. Just shake the blade a few times to equalize the size of the rings, bind them together with masking tape, and store. ♣

Illustrations: Jim Stevenson



We Build Our Stoves Without Compromise.

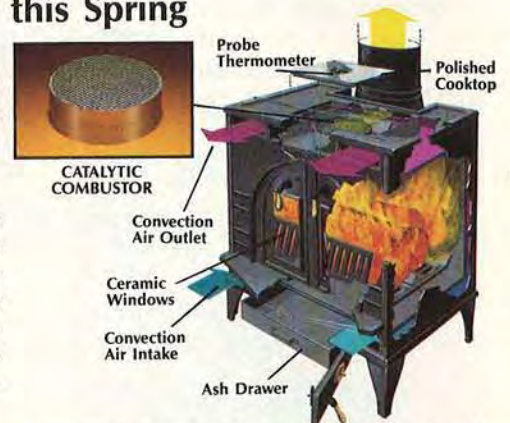
When considering a stove or fireplace insert, it's difficult to know what features are important. At Consolidated Dutchwest, our approach to your concerns and questions is very straightforward. We build our stoves without compromise. All the important features are built-in. We start with safety. Each unit exceeds all safety standards. All models, including every fireplace insert, are clean-burning and employ the latest catalytic technology. To very safe operation we add efficiency in a 100% cast iron, airtight design with precision controlled combustion. Using our stoves, customers consistently report fuel savings of 50%, 70%, even 90%. You too can expect exceptional savings.

All Cast Iron, Airtight Construction

Our stoves are made entirely from cast iron, carefully built from pure, virgin gray iron. They are airtight to the point that even our smallest stoves can hold a fire through the night. All models, including inserts, have polished cooktops. Most burn both wood and coal, and load from front and side. Ceramic glass windows are standard, as is a screen for open-hearth burning. While concentrating on function, we haven't compromised on appearance. Those of you who eventually own a Consolidated Dutchwest stove will find it is not only an exceptional performer, but an elegant addition to your home.

Free Catalytic Combustor this Spring Save up to \$180.00

To encourage everyone to take advantage of the most important advance ever in the technology of safe, clean woodburning, we are giving away a free Corning Catalytic Combustor with every stove purchased this season. A combustor can increase the efficiency of your stove as much as 50%, while reducing creosote build-up and pollution 90%. It's a must for clean safe wood burning. In addition to the free combustor, until May 21, 1986 we're holding over our 1985 prices so you can save up to \$180.00.



WRITE OR CALL
TODAY FOR
YOUR FREE
INFORMATION
PACKAGE!

TOLL-FREE
1-800-225-8277
1-800-722-5556

(In Massachusetts 617-747-1963)

You will receive our free 68-page color Stove Catalogue, "The Stovebuyer's Guide," our Installation Planner, and pricing details!



Yes! Send me my free information package.

I plan on purchasing a stove:

- within the next 60 days in the next 6 months
 in the next year in more than one year or uncertain

Name _____

Address _____

City/State _____ Zip _____



Box 1019
Dept. 6WO1
Plymouth, MA 02360

In woodworking, as in life, no one knows it all. But through experience, we all discover—or stumble onto—better, safer, faster, or easier ways to do things. When we devise interesting tips or techniques, we'll share them with you in this column. And when you send us your favorites, we'll pay you \$25 for each submission we publish. No shop tips can be returned. Mail your tips to:

Shop Tips
Better Homes and Gardens®
WOOD Magazine
Locust at 17th
Des Moines, IA 50336

One-string shop apron

Shop aprons always are difficult to tie and untie behind your back, but it becomes a really knotty problem when the strings begin to unravel.

TIP: Snip off both of the old strings and replace one of the strings with a piece of new twill tape (available at fabric stores). Sew one piece of matching nylon hook and loop tape to the end of the new apron string. Sew the other half of the fastening tape to the body of the apron. You now can quickly fasten and unfasten the apron with one hand.

—Myron Nixon,
 Longmont, Colo.



Stripping small parts: Leave 'em hanging

Stripping finish from small parts, such as drawer pulls, is time consuming and wastes a lot of finish remover.

TIP: Remove the part from the piece, replace the screw, and tie a 12" piece of string around the screw. Fill a coffee can with enough finish remover to cover the part. Drop the part into the coffee can, hang the string over the edge, and cover the can with the plastic lid. Soak and clean as recommended in the refinisher instructions.

—Tom Brower,
 Northboro, Mass.



Knee-jerk reaction for table-saw safety

You're making a cut on your table saw when, halfway through, the workpiece goes askew. Yet you can't shut off the saw without taking your hands off the workpiece. It can be a major shop safety problem. What do you do?

TIP: Buy a safety switch that pulls out for the "on" position and pushes in for the "off" position. Mount the switch on the front of your table

saw at knee height. Now, turning off your saw is as easy as pushing your knee against the switch.

These switches have an added safety feature: Each comes with a plastic key that you can remove to keep little ones from turning on your saw.

—Bruce Wedan,
 Des Moines, Ia.

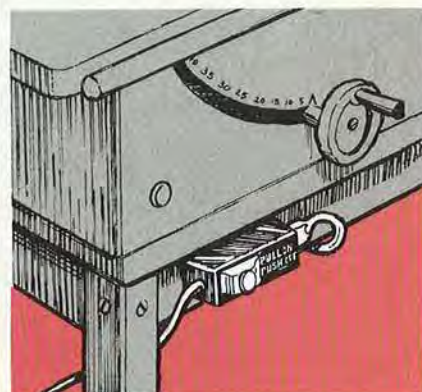
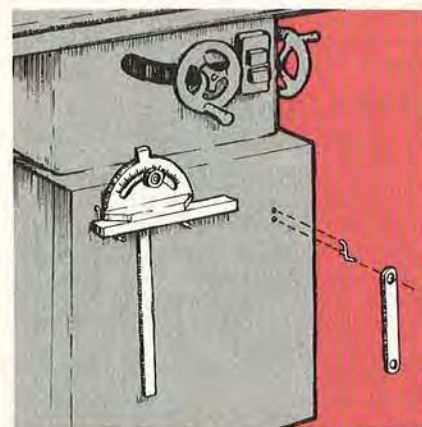


Table-saw gear: Hang it here

Finding a place to lay your table-saw wrench and miter gauge presents a challenge in everyone's shop. Too often they fall or get pushed to the floor and need to be recalibrated, too.

TIP: Use hooks designed for perforated hardboard to keep table-saw accessories right at your fingertips. Drill two 3/16" holes about 1" apart on the side of the saw. Because of the flat surface, straight hooks are best for the miter gauge; curved hooks are suitable for securely holding the wrench.

—Richard J. Wessels,
 St. Louis Park, Minn.



Continued on page 20

Your home workshop can PAY OFF BIG!

This One Low-Cost Power Tool—
SAWS to desired Width...
PLANES to desired Thickness...
MOLDS all popular Patterns...

—All at once or separately... All By Power Feed!

The Only Complete Workshop Tool Of Its Kind In The World!

From the Day It Arrives... the Planer will make and save you money. With shortages and inflation driving lumber prices sky-high, this versatile power tool quickly pays for itself by easily converting low cost rough lumber into high value finished stock. In just one pass turn out your own quarter-round, door and window stop, casing, tongue-and-groove... all popular patterns. Other operators are making cases for grandfather clocks, furniture, picture frames, bee hives, bed slats, surveying stakes... all kinds of millwork.

Built For Pros... Priced For Home Craftsmen... it is engineered and built to industrial standards, but factory-direct selling keeps the price low. Handles tough oak and walnut as easily as pine, and so simple to operate even beginners with no experience can use it.

**Start
Your Own
Business!
Earn Extra
Income
Right At
Home.**

With just this one low cost power-feed machine in a corner of your garage or basement, you're set up to supply lumberyards, cabinetmakers, carpenters, remodelers, contractors and hobbyists in your area with custom-planed lumber, trim, molding... ALL of their millwork requirements. You can supply picture molding to art shops, hardware and department stores, or sell direct to framing shops. All standard patterns are available from stock, or we'll custom grind a knife to your own special design or sample.

Does The Foley-Belsaw Pay? YOU BET!

READ WHAT OWNERS SAY:

A Good Investment • Robert Sawyer, Roseburg, Oregon: "I believe that the Foley-Belsaw is the best investment I ever made. I've been a planer man for years and am now retired. The Foley-Belsaw has earned me \$60,000 extra income in the past eleven years."

Pays For Itself • R.S. Clark, Springfield, Ohio: "I bought a batch of walnut in the rough, and after planing it on the Foley-Belsaw I figured up the money I saved. It was enough to pay for two-thirds the cost of the Planer. It really does a good job!"

More Than Expected • Stephen Schultz, Orangeville, Penna.: "This machine pays for itself by making money out of scrap boards. It is a very well built machine and I confess it is more than I really expected for the price. It does everything you say it will!"

... And Foley-Belsaw Is The Choice Of Professionals:
"I recommend Foley-Belsaw Planer-Molder-Saw as the most useful shop tool any craftsman could own. We use one every day in the Workbench model shop, and couldn't get along without it."

JAY HEDDEN — Editor WORKBENCH Magazine



Try The
Foley-Belsaw In Your
Own Shop On Our

**30-DAY FREE
TRIAL OFFER**

Mail Coupon Below
For Complete
Details!

You Take NO RISK! The Planer/Molder/ Saw Is Backed by Our Exclusive 100% Guarantee of Satisfaction:

• "Try the Foley-Belsaw in your shop for a full 30-Days and put it to work for you. Give it a thorough test and make it prove that it can do everything we say it will... use it just as much as you want. Then if you are not completely satisfied, just send it back and we'll return every penny you sent. And YOU are the sole judge! There are no questions asked... there are no fine print 'use' charges. Our flat guarantee is that YOU must be 100% satisfied or you get your money back."

**FREE
BOOKLET!**

Get FREE
Book with
facts and
full details
... RUSH COUPON TODAY!



**Just Mail Coupon ...
NO OBLIGATION and
NO SALESMAN Calls!**

**ACT NOW!
Coupon
Brings
Full Details!**

If coupon has been
removed, just send
postcard with name
and address to:

FOLEY-BELSAW CO.
90752 FIELD BLDG.
KANSAS CITY, MO 64111



FOLEY-BELSAW CO.
90752 FIELD BLDG.
KANSAS CITY, MO 64111

YES, please send me the FREE Booklet that gives me complete facts about your Planer-Molder-Saw and full details on how I can qualify for a 30-Day Free Trial right in my own shop. I understand there is No Obligation and that No Salesman will call.



NAME _____

ADDRESS _____

CITY _____ STATE _____ ZIP _____

What do the *San Francisco Chronicle* and the *Whole Earth Review* write about our Photo Catalogue?



Photo by Floyd Latham

"Tools as Jewelry is what we've called the ultra-high quality offerings of Garrett Wade and Woodcraft Supply.....Their tools can be used, of course....."

At Masterpiece Tools they take this all a step further: TOOLS AS ART.

The Catalogue takes lots of space to explain what's going on.....It tells of the master.....and how he works and why the tools are so incredibly perfect.

There are plenty of tools in the several-hundred-dollar range.....There are also many that are eminently affordable by ordinary workers who will appreciate and use the extraordinary quality.....

Even if such things aren't going to tempt you into uncontrollable buying, you might enjoy the catalogue—it's truly an education in itself."

TO RECEIVE YOUR COPY OF OUR BEAUTIFUL COLOR PHOTO CATALOGUE, SEND \$5.00 FOR THE UNITED STATES AND US\$7.00 ALL OTHER COUNTRIES*

*A German and a French translation are available upon request.

For credit card orders call
(603) 736-8227, 9-6 Eastern
Time Mon.-Sat.



Suncook, NH 03275 USA

Masterpiece Tools
最善級大工道具

TIPS FROM YOUR SHOP AND OURS

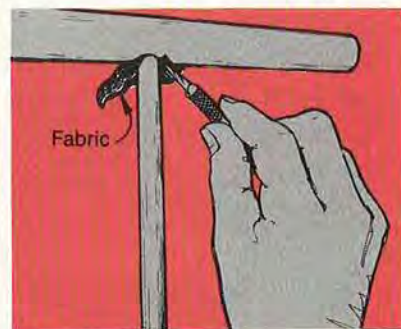
Continued from page 18

Quick cure for wobbly joints

Although the size of most mortise or dowel holes remains the same, wood fitting into the joint often shrinks over the years and creates a loose fit in chairs and tables.

TIP: Use a piece of linen or sheet between the wooden parts. Coat the cloth and hole liberally with glue. After you've fit the pieces together, wipe off the excess glue with a damp rag, and trim the unneeded cloth with a knife or razor blade.

—Larry Bedain,
North Swanzey, N.H.



REPRODUCTION HARDWOODS for the home craftsman

America's Source for

- Solid Lumber Panels
- Turning Squares
- Plywood
- Butcher Block Stock

All products available in widths up to 30" and lengths to 60". Squares up to 5" thick.

RED OAK, MAHOGANY, CHERRY, WALNUT, HARD MAPLE, POPLAR

Stock is defect free, sized ready to use, shipped directly to you.

Send \$1.00 for price list and product descriptions.

Route 9, Box 214-M
Morganton, North Carolina 28655
(704) 433-5490



New Low Prices!

Quartz Clock Movements

M88 Thinline

Made in Japan by the world's largest producer of quartz timepieces.



2-3/16" square x 5/8" thick. Step sweep hand. Uses AA cell.

Fast Delivery!

1-\$6.00 25-\$3.60 100-\$2.95
5-\$4.50 50-\$3.35 250-\$2.60
10-\$4.25 FREE HANDS

Money Back Guarantee!

PRICES INCLUDE HOUR AND MINUTE HAND. ADD 25¢ FOR SECOND HANDS. Add \$2.00 per order for postage & handling.



New Catalog

55 pages of clock movements, dials, accessories, hands, tools, and more!
Catalog #785 \$1.00 (Free with order)

Cas-Ker Co.

BOX 14069-R, CINTI, OH 45214
PHONE (513) 241-7073

Tight-squeeze brush cleaning

Because so much paint and varnish remain in a brush after it's been used, a lot of expensive mineral spirits and other brush cleaners wind up being wasted.

TIP: More effective than wiping your brush on a scrap piece of wood or cardboard is trapping paint or varnish between several layers of newspaper or magazine pages. Use finger pressure to squeeze the bristles while you withdraw the brush. Use mineral spirits or your favorite brush cleaner to remove the remaining paint or varnish.

—W. J. Morrison,
Northport, N.Y.



Continued on page 22

COMPARE

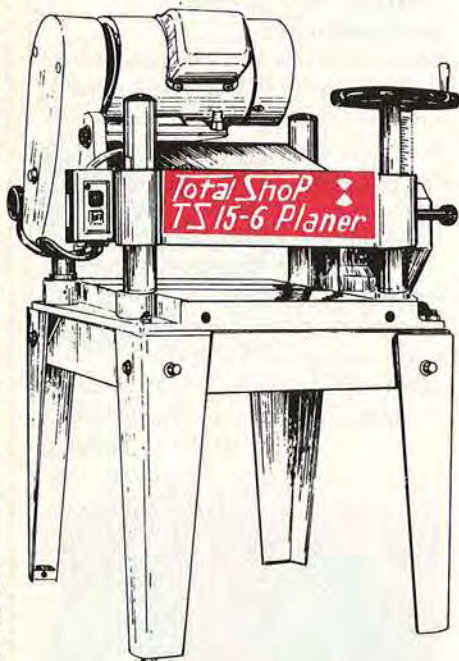
Total Shop®

WITH SHOPSMITH.®
You'll actually see
the improvement.

For Example:

1. 1½hp motor develops nearly 3hp while Shopsmith® motor is 1½hp developing 2hp.
2. Motor can be altered by owner to 220V. Shopsmith® does not have this option.
3. In more than 85% of the comparisons, the Shopsmith® machine is priced higher than the Total Shop® machine.

Let us send you 11 more reasons
Total Shop is a better buy.



Total Shop®

TS 15-6 Planer

- 110 V or 220 V
- Stand & dust collector available
- 2 HP or 5 HP motor
- 15" width, 6" thickness

Attention Shopsmith® Owners:
Call today for our accessory brochure
and save money.



CALL TODAY
toll free
1-800-845-9356
in S.C. call
288-4174

Total Shop®

has proudly
created an in-home
WOODWORKING
VIDEO.



- The first of its kind!
- 30-min. presentation of the Total Shop and the TS 15-6 Planer.
- In-home viewing.
- \$20.00 refundable deposit.
- Available in VHS and Beta.

Now you can see
our product at work
before you buy.

clip and mail coupon for: Free Informational Kit

Total Shop®

Dept. Q
P.O. Box 16297/Greenville, S.C. 29606

Your Name _____

Address _____

City _____ State _____ Zip _____

Phone _____

Multipurpose tool TS 15-6 Planer

Video (\$20.00 deposit enclosed)

©United Metal Services, Inc.

Have a problem with your subscription?

We want to solve it to your complete satisfaction, and we want to do it fast. Please write to: Robert Austin, *Better Homes and Gardens*® WOOD, P.O. Box 10628, Des Moines, Iowa 50336.

You can help us by attaching your magazine label here, or copy your name and address as it appears on your label. Send this along with your correspondence.

Name _____		
Address _____		Apt. # _____
City _____	State _____	Zip _____

Moving? Simply attach the mailing label from this magazine and write in your new address below. (Please allow 4-8 weeks.)

Your New Address Goes Here

Name _____		
Address _____		Apt. # _____
City _____	State _____	Zip _____

Subscription Rate:

6 issues — 1 year — \$15. Add \$6 for Canadian or foreign postage.

Renewal New Order

Need Faster Service?

Do us a favor...it is better to write us concerning your problem and include the magazine label. Also, address changes are handled more efficiently by mail. However, should you need to reach us quickly the following toll-free number is available:

800-247-2504

Better Homes and Gardens®

WOOD

P.O. Box 10628 • Des Moines, Iowa 50336

TIPS FROM YOUR SHOP AND OURS

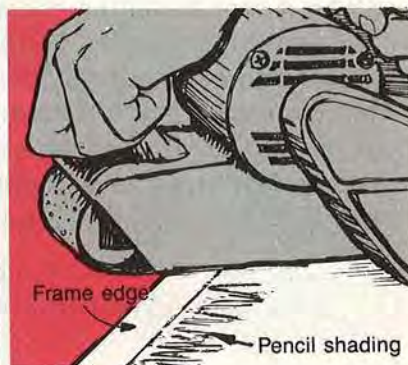
Continued from page 20

Know when to stop sanding

It's all too easy to sand through the thin veneer of plywood and fibercore lumber when belt-sanding a finished frame edge, whether in a cabinet or a picture frame.

TIP: Shade a wavy pencil line on the veneer edge that butts up against the frame. Stop sanding the joint just after the pencil line disappears. The same technique works well on banded tops and shelves.

—Terry Leach,
Lovington, Ill.



Getting that darned knob attached

Some wood isn't thick enough to drill into to hold a knob like the one shown here. Or worse yet, you can't start a screw through the back of the dimensional lumber.

TIP: Make your own hanger bolts to secure the knob. First install a sheet-metal screw into the knob (try a 2½" or 3" no. 8 screw). Then saw off the head of the screw and grind the top to a point. Drill a hole in the drawer or door and fasten them together.

—Marion L. Adams,
New Salisbury, Ind.



Continued on page 24

Shophelper

Safety Guides

U.S. PAT. #3-738-403



FINGER-SAVER

Anti-Kickback Stock Feeder

- A system for controlling stock on saws, shapers and other stationary machinery.
- Single direction bearings guard against kickback and provide smooth, even cutting.

Set, complete with brackets, **\$79.50**
Additional Mounting Brackets available.

To order, call: 800-344-7455

California: 800-828-8833

Or write: P.O. Box 238,

Tulare, CA 93275

—Dealer Inquiries Invited—

FROG® PRESENTS TWO SPECIAL VALUES & GET OUR 108 PAGE CATALOG FREE

Secrets of Professional Honing Revealed — 100% Wool Felt Wheels give you super sharp edges instantly on all of your carving tools, plane blades, knives etc. 5" x ½" wheel. Reg. \$11.95 NOW 7⁹⁵ ppd



Economical, Efficient & Versatile European Bow Saw Kit — 16" Bow Saw will allow you to rip, crosscut, cut scrolls & make dovetails. Three Swedish Steel blades & imported tangs incl. 16" Bow Saw Kit Value \$30.20 NOW 25⁰⁰ ppd

AGENTS FOR THE MYFORD LATHE



Mail your check, M.O. or charge card info to:

FROG TOOL CO. LTD. Dept. W-1

P.O. Box 8325, Chicago, IL 60680

West of the Rockies:

P.O. Box 938, Ojai, CA 93023

Showroom—700 W. Jackson Blvd. (Chicago)

VISA—MASTERCARD Call (312) 648-1270

just
\$9.95

**SAVE
55%!**

**WEDGED BLOCK
PLANE** by Emmerich

Beech, with a lignum vitae sole, and just 6" long - a comfortable fit in your hand. 1 1/2" blade is excellent for general trimming. 109-1588, was \$21.95



just **\$9.95**
pair

**Lightweight, 15 3/4" Hornbeam
WOOD CLAMPS**

Spring steel bars with quick-action cam capable of producing 350 lbs. pressure when fully locked. Jaw faces are cork lined to protect your work. 300-1153

*Our
Most Popular
Bench Top
Accessory!*

Set of 3
just **\$9.95**



**Flush-
Mounting BENCH STOPS**

Easy to install - just chisel out a cavity and insert the stop. Easy to use - just turn the screw to raise the jaw, then press your workpiece against the teeth. Extra useful when you have a shoulder vise with built-in "dog". 300-0004, Originally \$7.95 each



*Our
Indispensable*
**HONING
GUIDE**
just **\$9.95**

Complete with instructions. It maintains the proper angle for accurate honing of any type chisel or plane blade up to 3" wide. 103-0140

**Old-fashioned
CORNERING
TOOLS**



Just select the size you want, run the tool along the edge you wish to chamfer or round, and in no time at all the corner is soft and shapely. Set of 2 tools, each with 2 sizes. 106-0003

Set of 2 **JUST \$9.95**

**Order any Fine Tool
on this page for just
\$9.95**

Order any two for **\$19.90**
and I'll throw in
a **Pocket Flashlight**
FREE!

**Self-Centering
HINGE AND BUTT DRILLS**

Set of 2
just **\$9.95**



Make hanging doors a snap. The spring-loaded guide guarantees you a perfectly centered hole every time! 1/4" shanks. Set of two, for #6, #8, #9 and #10 screws. 200-2601

BRAD DRIVING PLIERS

They do just one job - and do it superbly! The moveable jaw squeezes a brad into your picture frame while the adjustable cushioned slide protects the frame edge. For moldings up to 3 5/8" wide, 1 3/4" deep. 106-0010

SAVE \$3.00!



just
\$9.95

**8 Piece
ROUTER BIT SET**

An outstanding value for the occasional router user. All the needed sizes: 1/8", 1/4", 3/8", 1/2" straight bits, 1/4" and 1/2" cove box bits, 1/2" bottoming bit and 1/2" V-bit. 1/4" shanks. Vinyl case. 200-3000, **LIMITED QUANTITY**

HALF PRICE! just \$9.95



just
\$9.95

**Our Famous 14 Piece
DRILL AND COLLAR SET**

Brad point bits, specially designed for accurate wood drilling with no dancing, no skating, no skipping - ever! We include 7 bits (1/8", 3/16", 1/4", 5/16", 3/8", 7/16" and 1/2"), with a stop collar to fit each, so you'll never have to guess at drilling depth again! 200-0060, a \$12.90 value

HURRY! SALE ENDS MARCH 15, 1986!



The Fine Tool Shops, Inc. Dept. WMJ6
Box 1262, 20 Backus Avenue, Danbury, CT 06810

Ship to _____

Address _____

City _____ State _____ Zip _____

**CALL TOLL FREE
1-800-243-1037**

In Connecticut,
797-0772



Send **FREE**
Full Color
Tool Catalog

Qty.	Item	Prod. #	Price ea.	Total
	Wedged Block Plane	109-1588	\$9.95	
	15 3/4" Wood Clamps, Pr.	300-1153	\$9.95	
	Set of 3 Bench Stops	300-0004	\$9.95	
	Honing Guide	103-0140	\$9.95	
	Pr. Cornering Tools	106-0003	\$9.95	
	Hinge & Butt Drills	200-2601	\$9.95	
	Brad Driving Pliers	106-0010	\$9.95	
	Set/8 Router Bits	200-3000	\$9.95	
	14 pc. Drill/Collar Set	200-0060	\$9.95	
Pocket Flashlight - FREE when you order any 2 or more!				

Check Enclosed
 Charge my AmExpress
 VISA MasterCard

Account # _____

Exp. Date _____

Subtotal	
Shipping/Handling 1st item \$2.00 Each add'l item, \$1.00	
CT 7 1/2% Sales Tax	
TOTAL enclosed	



Don't Miss These

— HOUSTON SHOW —

Shamrock Hilton Hotel, Houston, Texas
 FRIDAY, JANUARY 10 - 5 pm - 9 pm
 SATURDAY, JANUARY 11 - 10 am - 6 pm
 SUNDAY, JANUARY 12 - 10 am - 5 pm

— TORONTO SHOW —

Constellation Hotel, Rexdale, Ontario
 FRIDAY, JANUARY 24 - 5 pm - 9 pm
 SATURDAY, JANUARY 25 - 10 am - 6 pm
 SUNDAY, JANUARY 26 - 10 am - 5 pm

— COLUMBUS, OHIO SHOW —

Veterans Memorial Hall, Columbus, Ohio
 FRIDAY, FEBRUARY 14 - 2 pm - 9 pm
 SATURDAY, FEBRUARY 15 - 10 am - 6 pm
 SUNDAY, FEBRUARY 16 - 10 am - 5 pm

— WASHINGTON, D.C. SHOW —

Hyatt Regency Crystal City, Arlington, Virginia
 FRIDAY, FEBRUARY 28 - 5 pm - 9 pm
 SATURDAY, MARCH 1 - 10 am - 6 pm
 SUNDAY, MARCH 2 - 10 am - 5 pm

EXHIBITS, DEMONSTRATIONS & SALES
 of
 EVERYTHING FOR THE WOODWORKER
FREE SEMINARS

Admission \$5/\$1 off with this Ad

For More Information:

Woodworking Association of North America
 P.O. Box 706 • Plymouth, NH 03264 • (603)536-3876

Better By DesignSM
POWERMATIC III

MODEL 100
 12" PLANER

3 HP, Single Phase
 230 Volts w/Magnetic Controls

Superior Performance
 and ONLY ...
 List \$2626.00
 CALL



MODEL 35-B
 12" DISC SANDER AND STAND

1 HP, Single Phase
 115 Volt
 7" Wide Tilting Table

Value Priced
 at ONLY ...
 List \$812.00
 CALL

MODEL 2100
 7" PEDESTAL GRINDER

1/2 HP, 115 V
 Single Phase
 2 Grinding Wheels

For Precision Grinding
 you pay ONLY ...
 List \$634.00 \$499.00

supplies limited-
 applicable sales tax extra



F. O. B. Factory



BRADY SUPPLY CORP.
 649 MADISON AVENUE
 P.O. BOX 326
 ELMIRA, NY 14902-0326
 607-733-6591

TIPS FROM YOUR SHOP AND OURS

Continued from page 22

This tip is on the level

In a garage or crowded workshop, it's time consuming to reposition stationary tools on a level spot.

TIP: Once you've found that perfect level spot, spray paint around each leg to mark the position. The next time you use the power tool, roll it to the correct marked position.

—Frank Zalenski,
 Vancouver, Wash.

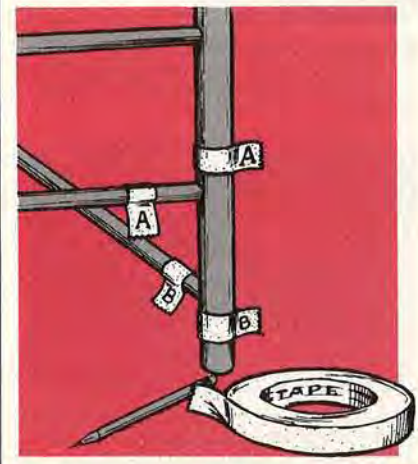


Fitting the pieces back together

After completely taking apart a chair for regluing, all the legs and rungs suddenly look alike. And just as suddenly, you have an assembly problem.

TIP: Before taking the chair apart, label all the parts with numbered or lettered masking tape. After you clean the joints, use your identification system to correctly glue and reassemble. When the glue dries and the clamps are removed, peel off tape markers.

—John Paul Christopher,
 North Kansas City, Mo.



Statement of Ownership, Management and Circulation (Required by 39 U.S.C. 3685)

- 1A. Title of Publication: Better Homes and Gardens Wood.
- 1B. Publication No. 724890.
2. Date of Filing: September 20, 1985.
3. Frequency of Issue: Bimonthly.
- 3A. No. of Issues Published Annually: 6.
- 3B. Annual Subscription Price: \$15.00.
4. Complete Mailing Address of Known Office of Publication: 1716 Locust Street, Des Moines, IA 50336.
5. Complete Mailing Address of the Headquarters of General Business Offices of the Publisher: 1716 Locust Street, Des Moines, IA 50336.
6. Full Names and Complete Mailing Address of Publisher, Editor and Managing Editor: Publisher: Jerry Kaplan, 750 Third Avenue, New York, NY 10017; Editor: Larry Clayton, 1716 Locust Street, Des Moines, IA 50336; Managing Editor: Dan Kaercher, 1716 Locust Street, Des Moines, IA 50336.
7. Owner: Meredith Corporation, 1716 Locust Street, Des Moines, IA 50336. The Names and Addresses of Stockholders Owning or Holding 1 Percent or More of the Total Amount of Stock: Cede & Company, Box 20, Bowling Green Station, New York, NY 10004; Dengel & Company, c/o Fiduciary Trust Company of New York, Box 3199, Church Street Station, New York, NY 10008; Kray & Company, P.O. Box 10645, Newark, NJ 07101; Kray & Company, 440 South LaSalle Street, Chicago, IL 60605; Pearce & Pettit, c/o Wilmington Trust Company, P.O. Box 9746, Church Street Station, New York, NY 10249; Prop & Company, c/o Norwest Bank Des Moines, N.A., 7th and Walnut, Des Moines, IA 50309; Sigler & Company, c/o Manufacturers Hanover Trust Company, Trust Collection, P.O. Box 1765, Church Street Station, New York, NY 10008; The E. T. Meredith and Bohlen families and family foundations own directly or beneficially through some of the nominees listed above, approximately 33.5% of the issued and outstanding stock of the corporation. Each nominee holds stock for one or more stockholders.
8. Known Bondholders, Mortgagees, and Other Security Holders Owning or Holding 1 Percent or More of Total Amount of Bonds, Mortgages, or Other Securities: None.
9. Item 9 of PS Form 3526 not applicable.
10. Extent and Nature of Circulation:

	Average No. Copies Each Issue During Preceding 12 Months	Actual No. Copies of Single Issue Published Nearest to Filing Date
A. Total No. Copies (Net press run)	439,194	490,418
B. Paid and/or Requested Circulation		
1. Sales Through Dealers and Carriers, Street Vendors and Counter Sales	62,000	55,000
2. Mail Subscriptions (Paid and/or requested)	276,332	315,502
C. Total Paid and/or Requested Circulation (Sum of 10B1 and 10B2)	338,332	370,502
D. Free Distribution by Mail, Carrier, or Other Means, Samples, Complimentary, and Other Free Copies	30,050	24,775
E. Total Distribution (Sum of C and D)	368,382	395,277
F. Copies Not Distributed		
1. Office Use, Left Over, Unaccounted, Spoiled After Printing	145	141
2. Returns From News Agents	70,667	95,000
G. Total (Sum of E, F1 and 2—should equal net press run shown in A)	439,194	490,418

11. I certify that the statements made by me above are correct and complete. (Signed) Larry Clayton, Editor

If you've got the drive to start your own business, NRI's got the training to get you there

Two Top-Paying Opportunity Fields Wide Open for Trained Specialists

Everybody wants to get ahead, but most people don't know where to start. Now, NRI not only shows you the opportunities for good money, advancement, even a business of your own, but gives you the skills you need to get there. No night school, no need to quit your job until you're ready to make your move. NRI trains you right at home in your spare time.

No Experience Needed

NRI starts you with the basics, then builds your knowledge and skill a step at a time, all the while adding practical know-how through hands-on training. You even get tools you'll need in the business. Over a million and a half students have trained the NRI way since 1914.

Learn Building Construction and Remodeling

Get the know-how you need to become a foreman, supervisor, or contractor yourself with NRI's Building Construction course. Housing starts are up, and that means big profits waiting for successful builders. Over 18 million families will be buying new homes in the next 10 years alone.

Includes Plans for an Energy-Efficient Home

Using actual plans for a highly marketable, energy-efficient home, you learn how to plan and supervise its entire construction. You actually frame the house in miniature and construct a framing section in full scale. You're even given the opportunity to attend an industry-acclaimed owner/builder seminar led by expert builders.

Over 100 Hands-On Training Projects

NRI's easy-to-digest lessons and projects teach you the skills and professional secrets of carpentry, masonry, roofing, even wiring and plumbing. You'll end up with the know-how to deal with all the building trades, the skill to handle part or all of the job yourself. You'll be ready to move up in the lucrative building industry or simply move up to the home of your dreams—



Building Construction

and save 10% to 50% by building it yourself.

You get 70 lessons full of photos, diagrams, and inside facts. Training tools and equipment like the Hoppy Transit for surveying sites and positioning batter boards, the Swanson speed square, and the NRI Design Collection. Tools for planning, tools for building. Check into building construction as your opportunity field. Fill out and mail the postage-paid card today.

Learn Air Conditioning, Refrigeration, Heating

Today, few homes or commercial buildings go up without central air conditioning. Millions of window units in older homes require maintenance and repair. Heat pumps have become so popular, they're now as common as furnaces. And commercial refrigeration calls for skilled technicians to install and service walk-in coolers and freezers, ice makers, and food cases. It all adds up to tremendous opportunity for the trained air conditioning, refrigeration, and heating technician.

Training Includes Professional Tools

NRI trains you for this lucrative field, gets you ready to land a good-paying job, pick up extra income in your spare time, even start a business

of your own. You're ready to jump right in because NRI includes the tools you need... system analyzer, leak detector, tubing and joint tools, even a top-quality vacuum pump for purging systems. Graduates of our Master Course also get optional resident training at the world-famous Borg-Warner Institute in York, Pa.

NRI prepares you for every aspect of this field, even auto air conditioning and solar heating. Wherever you want to go, whatever you want to do, you're ready.

Fill out coupon and send for the free NRI catalog to get all the facts on this wide-open field.



Air Conditioning, Heating, & Refrigeration,

See where your future lies in air conditioning, refrigeration, and heating.

Get Ready for Tomorrow

Are you ready for the opportunities and good money that come with expert skills? Then send for NRI's free catalog. See the quality training you get, the hands-on projects you do, the professional tools you train with, and the future that awaits you. Act today.

NRI

 SCHOOLS

McGraw-Hill Continuing Education Center
3939 Wisconsin Avenue
Washington, DC 20016



WE'LL GIVE YOU TOMORROW

If card is missing, please write to us.

WOODWORKER I

For the Serious Woodworker...
No more changing blades for rip, miter and
crosscut — or for different kinds of material!

WOODWORKER II

NEW LOW PRICES Why Buy 3 Blades When This ONE DOES IT ALL?

RIP—COMBINATION—FINE CROSSCUT

Made in America and maintained here in America for your benefit.
Keep like-new performance! Use our superior micro-edge factory sharpening!

Jim Forrest, President and designer,
microscoping cutting edge.

SPECIAL WINTER SALE Dec.—Mar. 86

WOODWORKER I (Radial Saw)

	WAS	NOW 50% OFF
10" 60T	\$162	\$81
9" 60T	156	79
8" 60T	150	75

WOODWORKER II (Table Saw)

10" 40T	\$156	\$78
30T	135	68
9" 40T	148	73
30T	125	63
8" 40T	136	68
30T	115	58
7 1/4" 30T	112	49
7" 30T	112	49
8" 24T Dado	299	209

Shipping
\$2.50

WOODWORKER I (For the Radial Saw) This is my *original* Woodworker blade—most desired by the American craftsman. Kerf: $\frac{3}{32}$ ". 60 teeth. Modified triple-chip with micro-finish grind. Carbide C-4 hard & 40% stronger. **Perfect, polished cuts in every direction.** The one blade that does it all—for as long as you'll cut wood or plastics. Designed for use primarily on your radial saw, thin kerf gives better control and less bottom splinter.

WOODWORKER II (For the Table Saw) My new **ALL PURPOSE** blade—Primarily for your table-saw $\frac{1}{8}$ " kerf. 30 to 40 teeth (see below). Modified alternate-bevel with micro-finish grind. Exclusive Forrest 400 carbide. Designed for super-fast and planer action in ripping heavy, solid stock with **smooth-as-sanded surface.** We rip 2" Red Oak with 1 HP at the shows leaving surface smoother than a planer. Slices ply-panels, particle-board and one-sided laminates *quick and clean.* Crosscuts and miters with equal quality and ease and no bottom splintering.

Generally, I recommend 40 teeth. However, if your ripping includes a lot of heavy $1\frac{1}{2}$ " to 2" hardwoods, specify 30 teeth. See dampener information. Available in 8", 9" and 10" diameters.

AVOID cheap imports! WOODWORKER II eliminates scratchy saw cuts!!

We're proving everything we say in our ads—in major shows across the country.



DAMPENER-STIFFENER One Side Aids A Smoother, Quieter Cut!!

• Holds blade **rigid and true** for better cuts on your machine. • Dampens out **motor and belt vibrations** from being transmitted up to the rim of the teeth causing scratchy cuts. • Greatly reduces **cutting noise.** • Helps kill saw **scream-whistle** from any vibrating blade surface. • Is hardened and precision ground parallel and flat within .001" to keep your blade true.

• Can be removed instantly if need requires for deep cuts. • One against the outside leaves blade **centered** in slot of **steel table insert.** • 6" dampener on 10" blade gives 2" cutdepth. Use 5" dampener if always in $1\frac{1}{2}$ "-2" deep cuts. Remove or use 4" for 3" cuts. For 8" and 9" blades, figure dampener size accordingly.

6" Dampener \$23 • 5" Dampener \$22 • 4" Dampener \$20 Add \$1 Shipping

WE RECOMMEND OUR FACTORY SHARPENING... 2-3 DAYS ON THESE AND ALL MAKES OF CARBIDE TIP SAWS. Ship in UPS or P.P. 10 x 40T \$14
NOW... ORDER the one blade that will outlast you! (10-20 sharpenings possible).

Your cutting satisfaction guaranteed or full cash or credit refund.
40 years of fine American Sawmaking and Sharpening.

FORREST MANUFACTURING COMPANY, INC.
250 Delawanna Ave., Clifton, NJ 07014


Dealer Inquiries Welcome.

FORREST

We honor Amex, Visa & MasterCard,
Money Orders, Personal Checks and CODs.

To Order By Mail: Clip ad, circle choices and
enclose payment. Or **PHONE TOLL FREE!**
1-800-526-7852 (In NJ: 201-473-5236)

PRODUCTS THAT PERFORM

 Print this article



Avoiding sticky situations

No matter how careful you are, a little glue always lands where you don't want it—on your fingers, on the floor, or down the side of your project. Here's a solution: This easy-to-clean tool applies glue in a smooth, even coat. All you do is pop open the stopper, squeeze the bottle, and roll the right amount of glue. *Glue Tool.* \$12 postpaid from *Woodworking Apparatus, Dept. W, 209 Pickford Ave., Buffalo, NY 14223.*



A clear advantage

Make the most of any piece of stock by laying out bowls and platters with this handy template. Because it's grooved to show eight different diameters, the template can help eliminate trial and error in spotting grain, color, and defects. To mark cutting lines, insert a nail in the center hole and a pencil in the correct diameter hole. *Layout Template.* \$7.95 postpaid from *Craft Supplies USA, Dept. W, 1644 S. State St., Provo, UT 84601.*



Get the point?

When you need to measure beyond the range of your present compass or dividers, use these trammel points clamped to a board of almost any length. Both aluminum trammels have steel points, and either one can be removed and replaced by a pencil to make a large-scale compass. *Trammel Points.* \$21 postpaid. We obtained ours from *The Woodworkers' Store, Dept. W, 21801 Industrial Blvd., Rogers, MN 55374.*

Continued on page 31

We'll pay you \$200 for your finished model of this magnificent clipper ship!

(If you want to part with it!)



Here's a hobby that pays off twice—in fun and in cash! Investment in this fine historic wooden ship model kit—at absolutely no risk! Imagine! You can build the sleek-hulled *Harvey*, typical of the Baltimore Clippers used by the British in the early 1800's. And you have our guarantee that we'll buy it back from you for more than double what you paid for it.

The *Harvey* measures an impressive 37" long from transom to bowsprit, and her masts tower 27" high. She's delicately rigged and fully armed with eight beautifully turned brass cannon. Even if you've never built a quality, plank-on-frame wood ship model before, you can build the *Harvey*, specially designed for the ambitious beginner.

The secret's in our kit!

We've done the hard work for you—nearly all wooden parts are pre-cut, to make assembly easy. Premium woods, such as beech and African walnut, are used throughout. All fittings—of brass, copper, and hardwoods—are included. And giant plans and clear, step-by-step instructions virtually take you by the hand and guide you every step of the way. The result? A museum quality, historic wooden ship model you can display with pride to friends and family. Or, you can cash in on our special "buy-back" offer that gives you an instant, guaranteed profit.

Our No-Risk "Buy-Back" Offer

Order the *Harvey* kit, today. We'll guarantee to buy back your finished model for \$200 anytime within 6 months of purchase.

We can make this no-risk offer because we can resell your finished model—quickly, and at a substantial profit. (You must know that ship models are in great demand by collectors and auctioneers—for executive offices, banks, and restaurants everywhere. And by decorators and clients who delight in a nautical motif for their home.)

But you'll profit, too! By experiencing the relaxing pleasure and pride of accomplishment of this fascinating hobby. Or by selling other models you can build, yourself.

Either way, we're sure you'll be back for more! And we've dozens of other models you can build. We'll send you our 116-page, full color catalog, FREE, with your order, to whet your appetite. Just mail the coupon below. Or for faster service on credit card orders, call TOLL-FREE

800-228-2028 ext. 68.
(In Nebraska, call 800-642-8300.)
We'll rush your model kit, tools, and materials to you so you can get started right away!

You get everything you need to build:

1. Complete *Harvey* kit—including wood, fittings, and plans.
2. All the tools and materials you'll need—\$30 worth! Includes miniature pliers, hammer, sandpaper, glue, wood oil, and more.
3. 110-page ship modeler's handbook.
4. Display base for your finished model.
5. OUR GUARANTEE to buy your finished model for \$200 anytime within 6 months of purchase. (Just send a photo of your finished model and we'll give complete instructions for packing and shipping to us.)

\$129.95 value
Special introductory price,
only \$89.95 for everything!

Order No. AL502TM

YOU KEEP THE TOOLS AND THE BOOK AS AN EXTRA BONUS WHEN YOU SELL YOUR MODEL—TO HELP YOU GET STARTED ON YOUR NEXT ONE!

Our Unconventional Guarantees:

- If less than delighted, you may return your purchase within 30 days for a full refund.
- If you break, damage, or lose a part during construction, we'll replace it without charge.
- If you have any questions while building, call us. We have experienced modelers standing by to help.

FREE with your order

116-page, full color catalog of other ship models you can build. Plus hundreds of other items—cannon and car kits, planes, trains, and more! \$3 value.



MODEL EXPO, INC. 23 JUST ROAD, FAIRFIELD, N.J. 07007

- YES!** I want to make money on my hobby. Send me your *Harvey* kit and "Buy-Back" package, as described.
- My check or money order for \$89.95 (plus \$7.50 shipping and guaranteed delivery) is enclosed. (New Jersey residents please add 6% sales tax.)

- Charge my credit card:
 MasterCard Visa

MODEL EXPO, INC. 23 Just Road, Fairfield, N.J. 07007

Dept. BHW-26

Card No. _____

Exp. Date _____

Signature _____

Name _____

Address _____

City _____

State _____

Zip _____

AL502TM

RYOBI TOOLS		List Sale
S500A	3x5 1/2 Finish Sander	70 41
SU6200	Finishing Sand, 1/2 Sheet	142 88
B7075	3x21" dustless Belt Sand	179 116
B7100	3x24" dustless Belt Sand	208 140
B7200A	4x24" dustless Belt Sand	269 185
D100VR	3/8" VSR 0-1200 rpm drill	91 49
W640	7/16" 13 amp circular saw	158 99
W740	8 1/4" 13 amp circular saw	171 109
J560	Jig Saw-Single Speed	172 99
J560J	Jig Saw-electronic v/speed	198 123
R150	1 H.P. Plunge Router	138 86
R330	2 H.P. Router	220 138
R500	3 H.P. Router	285 163
E3800	Drywall screwdriver 0-4000	126 79
L120U	3 5/8" Planer	142 89
BD1020R	3/8" 2spd Cordless Drill w/brake Xtra special buy	148 95
TS251U	10" Mitre Box	300 169
SG1150C	4 1/2" H.D. Mini-Grinder	99 59

FORSTNER BITS (ARCO)			
West Germany			
Model	Size	List	Sale
2121	1/4"	6.40	4.00
2122	3/8"	7.00	4.50
2123	1/2"	7.80	5.00
2124	5/8"	10.35	6.50
2125	3/4"	10.95	7.00
2126	7/8"	11.40	7.25
2127	1"	12.55	7.75
2128	1-1/8"	12.75	8.00
2129	1-1/4"	13.85	8.75
2130	1-3/8"	16.45	10.50
2131	1-1/2"	18.15	11.00
2132	1-5/8"	21.25	14.50
2133	1-3/4"	23.95	16.50
2134	1-7/8"	25.50	17.50
2135	2"	26.25	18.25
2136	2-1/8"	30.50	20.50

1985 TOOL CATALOG AVAILABLE
 Call Toll-Free 1-800-328-0457 - In Minnesota Call (612) 224-4859
4 WAYS TO BUY: CHECK - MONEY ORDER - VISA - MASTERCARD
SEVEN CORNERS ACE HDW., Inc.
 216 West 7th St., St. Paul, MN 55102 • Est. 1983

SUPER CORDLESS SPECIALS			
from BLACK & DECKER			
Model	DRILL KITS	List	Sale
1930	3/8" rev/hi speed	165	110
1930	3/8" High Torque	165	110
5930	Reversible Hammer	179	120
1970	3/8" rev/hi torque screwdriver	179	120
1980	Rev/adj. clutch Scruddrill	179	120

Who Has The Saws That Cut It Across The Board?

BLACK & DECKER of course!!!

Model	WORM DRIVE SAWS	List	Sale
3050	6 1/2" 12 amp - 4600 rpm	242	169
3051	7 1/4" 13 amp - 4300 rpm	237	149
3052	8 1/4" 13 amp - 4300 rpm	247	169

MILWAUKEE TOOLS		List Sale
0224-1	3/8" drill 4.5A magnum	159 109
0234-1	1/2" drill 4.5A magnum	199 115
0244-1	1/2" drill 4.5A magnum	199 115
0222-1	3/8" drill 3.3A 0-1000 rpm	146 99
0228-1	3/8" drill 3.3A 0-1000 rpm	129 95
0375-1	3/8" close quarter drill	175 118
0210-1	3/8" cordless drill	154 114
6539-1	cordless screwdriver	84 64
1007-1	1/2" drill 4.5A D-Handle	199 145
1107-1	1/2" drill 4.5A D-Handle	204 145
3300-1	magnum rt angle drive kit	249 170
3102-1	Pimbs rt angle drill kit	263 180
1676-1	HD Hole Hwlg w/case 2 sp	233 235
5395	3/8" var sp hammer drill kit	203 150
5397	3/8" var sp hammer drill kit	208 155
5371-1	HD mag, hammer drill 1/2"	287 207
5373	HD mag, ham, drill 3/8"	240 175
6511	2 speed Sawzall w/case	181 123
6226	port band saw 2 sp w/case	382 280
6234	TSC band saw port w/case	382 280
6365	7 1/4" circ. saw 13 amp	159 109
6405	8 1/4" circ. saw 13 amp	179 127
6460	10 1/4" 15 amp w/case	349 245
6377	7 1/4" HD worm saw 13 amp	235 155
6378	8 1/4" HD worm saw 13 amp	249 165
6165	4200 R.P.M. Chop Saw 15 amp	267 189

MAKITA TOOLS		List Sale
804510	Sander	79 43
9900B	3"x 21" belt sander	198 119
9924B	3"x 24" belt sander	188 135
99240B	3"x 24" b/sand. w/bag	214 130
9035	1/2 sheet finish sander	79 48
9045B	1/2 sheet finish sander	156 90
9045N	1/2 " " w/bag	156 105
4200N	4-3/8" circ. saw 7.5 amp	152 95
5008NB	8 1/4" circ. saw 13 amp	178 105
5201NA	10 1/4" circ. saw 12 amp	348 215
4300VB	v/sp jlg saw 3.5 amp	192 120
4301VB	orb v/sp jlg saw 3.5 amp	208 125
24001BW	10" mitre saw	329 185
24001BV	10" mitre saw (for vice)	389 249
JR3000WV	2 sp recip saw w/case	168 120
JR3000V	vs recip saw w/case	178 120
5010DWK	3/8" cordless drill w/case	152 89
6801DW	3-3/8" cordless saw kit	165 109
1900BW	3 1/4" planer w/case	154 92
1100HD	3 1/4" planer w/case	278 160
3888BK	1/2" hp router w/case	132 85
3601B	1-3/8" hp router	168 115
3700B	1/2" hp trimmer	124 82
804530	8" Round Sander	84 55
6710DW	Cordless Screwdriver	148 105
DA3000	3/8" angle drill	158 105
DP4700	1/2" v/sp wirew 4.8 amp	154 92
MI0130W	3/8" v.s.r. hammer drill w/case	145 98
6300LR	1/2" angle drill w/case	229 152
84188B-2W	1/2" 2 sp. hammer drill w/case	238 150
GV5000	Disc Sander	79 53
6800DB	2500 rpm 3.5 amp	123 79
6800DBV	0-2500 rpm 3.5 amp	133 89
6801DB	4000 rpm 3.5 amp	123 79
6801DBV	0-4000 rpm 3.5 amp	133 89
2030N	12" planer/jointer	1980 1350
2040	15-5/8" planer	1780 1195
1805B	6-1/8" planer kit w/case	416 265
LS1400	14" Mitre Box	578 410

SAW-A-TION by PORTER-CABLE
 #314 1/4" trim saw
 List 180 SALE 109
 #348-1 6 1/2" top hdl
 List 161 SALE 100
 #617 7 1/4" Push Hdl
 List 166 SALE 103
 #587 7 1/4" Speedtronic
 List 199 SALE 125
 #315-1 7 1/4" Top Hdl
 List 166 SALE 103
 #368-1 8 1/4" Top Hdl
 List 176 SALE 110

PORTER-CABLE (buy of the year)		Model	List	Sale
Model 621 REVERSING DRILL		3/8" H.D. var/speed-4 amp 0-1000 rpm	120	72
6 or more \$69.00 each				

ROUTER RIOT by PORTER-CABLE		Model	List	Sale
190	7/7 H.P. 6.5 amp	134	86	
630	1 H.P. 6.8 amp	145	95	
690	1 1/2 H.P. 8 amp	189	125	
691	1 1/2 H.P. D-Handle 8 amp	213	135	
536	1 1/2 H.P. Speedmatic Double Handle	295	185	
537	1 1/2 H.P. Speedmatic Double Handle	310	210	
520	3 H.P. Production	435	275	
518	3 H.P. Microcompressor 5-sp	475	310	

BENCH GRINDERS		List Sale
4901	1/4 HP 2.6 amp 24"	159 110
4921	1/4 HP 4 amp 26"	179 130
4891	1/4 HP 4 amp 41"	279 185
5041	1/4 HP 8.2 amp 58"	379 270

NEW from MAKITA!		List Sale
9820-2	Blade Sharpener	235 160
6802DWK	3/8" 2-sp c/less drill kit	154 94
6010SDW	3/8" cordless drill rev	82 45
DA3000WV	3/8" c/less angle drill	172 106
JV1600	var. speed jlg saw	146 89
JV2000	var. speed orb. jlg saw	165 100
4300DW	cordless jlg saw	158 102
5005BA	5 1/2" circular saw	154 98
5600DW	8 amp. w/brake	224 139
9207SPC	7" var/speed electronic sander/polisher	209 130
9303BH	4 1/2" sander-grinder kit	128 79
9035DW	c/less finishing sander	146 95
4014NV	var/speed blower	128 79

DELTA SUPER SPECIALS!
 #33-150 SAWBUCK
 List 658 SALE 499
 #28-500 BANDSAW 3 wheel
 List 448 SALE 348
 #28-283 14" Band Saw with enclosed Stand and 3/4 hp Motor
 List \$897.00
 Sale \$446.00
 #28-243 14" Band Saw with Open Stand without Motor
 List \$594.00
 Sale \$444.00
 #22-651 13" Planer
 List \$1943.00
 Sale \$1295.00

X-TRA SPECIALS		Model	List	Sale
MAKITA TOOLS				
6010DL	C/less Drill w/flashlight charger & case	162	90	
DP3720	3/8" drill Rev. 0-1800 rpm	90	47	
6510LVR	3/8" drill Rev. 0-1050 rpm	116	67	
6013BR	1 1/2" Drill Rev. 6 amp.	174	100	
5402A	16" Circular Saw-12 amp	468	315	
2414	14" Cut Off Saw-13 amp	282	169	
3612BR	3 HP Plunge Router	286	176	
9401	4x24 belt sander w/bag	248	160	

PORTER-CABLE		List	Sale
9548	HD v/s bayonet saw w/case	255	179
648	HD v/s bayonet saw 3 amp	255	169
9627	2 sp. tiger saw kit 8 amp	183	118
505	H.D. v/s sheet finish sander	165	103
330	spd block sander 1/2 sheet sz	87	54
304	Professional 7" disc sander	160	105
305	Professional 7" polisher	160	105
7511	3/8" xtra hvyl v/s drill 5.2 amp	154	100
7554	1/2" xtra heavy drill 8 amp	205	135
309	3.8 amp laminate trimmer	120	80
310	3.8 amp laminate trimmer	180	130
312	offset base laminate trimmer	195	135
319	lilt base laminate trimmer	205	140
167	block plane 2.5 amp	129	86
9652	Versa-Plane Kit	419	285
9118	Porta Plane Kit	289	195
97650	1/2" dual range var/speed hammer/drill kit w/case	201	130

DRYWALL SHOOTERS		List Sale
6753-1	3.5 amp 0-4000 rpm new	115 79
6747-1	4.5 amp 2500 rpm	144 100
6750-1	4.5 amp 0-4000 rpm	129 90

FRED SAW BLADES		List Sale
Univ. Bore - Professional Series CARBIDE TIPPED SAWBLADES		
Item No.	Description	Di. Teeth List Sale
PS203	Gen'l Purp.	7 1/4" 24 27.24 17.50
PS303	fine cutting	7 1/4" 40 32.87 20.50

TOOLS ON SALE
 AMERICA'S LOWEST PRICED TOOLS
 PLUS ... FREE ... Freight On Every Item

DELTA		List Sale
34-010	Motorized Mitre Box	231 149

AEG Power Tools		List Sale
PHE 18RL	3.8 amp 5/8" capacity in concrete	269 175
PH 210	5.2 amp 3/4" capacity in concrete	398 260
PH 20	Same as above - except var/isp 0-750	418 270
PH D 28	6.3 amp 1" capacity in concrete	495 320
PH 38	7.5 amp 1 1/4" capacity in concrete	648 355

CORDLESS WITH MILWAUKEE		List Sale
#6305	6 1/4" Cordless Circular Saw 12 volt - 1 Hour Charge Cuts (80) 2x4's (Pine)	195.00 SALE 135.00

DELTA		List Sale
34-821	9" contr. saw w/o motor	500 395
34-410	10" contr. saw w/o motor	871 650
34-710	super 10" motorized saw	579 450
15-091	15" floor model Dipress	467 375
15-090	15" bench model	467 375
37-207	Saw/Jointer Combination	1018 810
37-609	6" Motorized Jointer	413 335
37-280	4" Dado Joiner w/o motor	348 275
22-851	RC-33 - 13" Planer	1943 1450
43-122	Wood Shaper w/stand and 1 HP Motor	869 495
48-140	11" lath, gap bed model w/stand w/o motor	407 335
52-493	1 hp motor for #34-621	170 130
62-042	1 1/2 hp motor for #34-410	230 170
62-144	1 1/2 hp motor for #37-290	138 105
62-142	1 1/2 hp motor for #28-243 and #46-140	121 85

DELTA		List Sale
* NEW LOW PRICES * PONY CLAMP FIXTURES		
Model	List Sale of 12	
#50	for 1/4" Black Pipe 11.23 7.40 80.00	
#52	for 1/2" Black Pipe 8.38 6.10 67.50	

JORGENSEN HAND SCREWS		Model	Jaw Length	Open Cap.	List	Sale	Box of 12
#50	4"	2 1/2"	11.59	7.25	39.15		
#40	5"	2 1/2"	12.45	8.10	43.75		
#30	6"	3"	13.35	8.50	45.95		
#20	7"	3 1/2"	14.35	8.95	48.35		
#10	8"	4 1/2"	15.87	9.85	53.75		
#1	10"	6"	18.25	11.36	61.25		
#2	12"	8 1/2"	20.94	13.50	72.95		
#3	14"	10"	28.58	16.76	91.35		
#4	16"	12"	34.55	23.75	128.25		

FRED SAW BLADES		List Sale
Univ. Bore - Professional Series CARBIDE TIPPED SAWBLADES		
Item No.	Description	Di. Teeth List Sale
LU72M010	Gen'l Purp.	10" 40 88.58 34
LU81M010	Gen'l Purp.	10" 40 89.30 35
LU73M010	Cut-Off	10" 80 79.65 36
LU82M010	Cut-Off	10" 80 86.40 44
LU84M010	Combination	10" 40 70.99 36
LU84M011	Combination	10" 50 74.51 37
LU85M010	Super Cut-Off	10" 80 110.88 62
LM72M010	Ripping	10" 24 64.85 34
DS 306	6" Dado	139.92 92
DS 308	8" Dado	170.00 105
TR 100	3 blades & Dado set	389.00 255

JORGENSEN BAR CLAMPS		Model	Jaw Length	List	Sale	Box of 12
#3706	6"	7.88	5.50	28.70		
#3712	12"	8.73	6.95	32.13		
#3718	18"	9.64	6.96	37.53		
#3724	24"	10.54	7.35	38.88		

Continued from page 28



Gaining the edge

"Breaking" the sharp edges of a project makes it safer and more finished looking. This radius plane has two high-carbon cutters: The first makes the cut, while the second finishes the edge. Both cutters are adjustable for radius (1/16" to 1/4") and centering. The plane is built to last, too—the body is solid rock maple, and the soleplate is brass. *Radi-Plane with a pair of replacement blades.* \$30.85 postpaid from *Leichtung, Inc., Dept. W, 4944 Commerce Parkway, Cleveland, OH 44128.*



Inflatable sanding helper

Sand to the sound of a different drum with this flexible sander. Designed for speeds up to 3,700 r.p.m., this tool fits any drill, drill press, or lathe with a 3/8" chuck. Use the sander fully inflated for fast work on flat surfaces or partially inflated for contours. A hand air pump and four sanding belts with grits of 40, 80, 120, and 180—or four belts with the same grits—are included with each unit. *Air Drum Sander.* \$36.50 postpaid from *Tri-Mex Industrial, Dept. W, Route 11, Mooers, NY 12958.*

Continued

A sharpening stone that gives the edge to all your cutting tools.

Garrett Wade has Japanese water sharpening stones that give a mirror-finish edge.

They are fast cutting stones that use water, not oil, and make an often tiresome job easier. They come in five grades from 800 grit (coarse) to the 8000 grit G-3 stone (final finishing).

Each stone (except the G-3 mounted on a wooden base) comes in its own plastic box—a Garrett Wade exclusive to keep your stones moist.

Fine cutting tools are only as good as the edge you give them.



Garrett Wade Co., Dept. 103
161 6th Ave., N.Y., N.Y. 10013
Send the tools indicated.

- 800 Grit @ \$10.30 p.p.d.
- 1000 Grit @ \$10.60 p.p.d.
- 1200 Grit @ \$10.95 p.p.d.
- 1000/6000 Grit Combination @ \$24.95 p.p.d.
- 8000 Grit G-3 @ \$20.25 p.p.d.
- Send your 228-page catalog of woodworking tools, machinery and accessories @ \$1.50 p.p.d.

- Check/Money Order enclosed.
- Visa/Mastercard/American Express.

Card No. _____
Expires _____
Name _____
Address _____
City _____
State _____ Zip _____



**FREE SANDING BELTS
DIRECT FROM THE MANUFACTURER**

GET SIX FREE BELTS FOR EACH DOZEN ORDERED. All belts are aluminum oxide first quality. Our electronic presses make smooth bump-free splices.

Check your size and how many dozen. We will ship assorted grits unless otherwise specified.

- 1" x 30" — \$12.70/doz.
- 1" x 42" — 12.75/doz.
- 1" x 44" — 12.80/doz.
- 3" x 18" — 13.75/doz.
- 3" x 21" — 14.25/doz.
- 3" x 23 3/4" — 14.70/doz.
- 3" x 24" — 14.75/doz.
- 3" x 27" — 15.25/doz.
- 4" x 21 3/4" — 16.75/doz.
- 4" x 24" — 17.25/doz.
- 4" x 36" — 20.95/doz.
- 6" x 48" — 26.95/1/2 doz. (3 FREE)

9" x 11" Paper Sheets

A/O Cabinet Paper		No Load Finishing Paper	
50/pk.	100/pk.	50/pk.	100/pk.
40-D <input type="checkbox"/> \$17/pk.	<input type="checkbox"/> \$31/pk.	180-A <input type="checkbox"/> \$11/pk.	<input type="checkbox"/> \$19/pk.
50-D <input type="checkbox"/> 16/pk.	<input type="checkbox"/> 28/pk.	220-A <input type="checkbox"/> 11/pk.	<input type="checkbox"/> 19/pk.
60-D <input type="checkbox"/> 15/pk.	<input type="checkbox"/> 26/pk.	280-A <input type="checkbox"/> 11/pk.	<input type="checkbox"/> 19/pk.
80-D <input type="checkbox"/> 14/pk.	<input type="checkbox"/> 24/pk.	320-A <input type="checkbox"/> 11/pk.	<input type="checkbox"/> 19/pk.
100-C <input type="checkbox"/> 13/pk.	<input type="checkbox"/> 22/pk.	400-A <input type="checkbox"/> 11/pk.	<input type="checkbox"/> 19/pk.
120-C <input type="checkbox"/> 13/pk.	<input type="checkbox"/> 22/pk.	Wet or Dry S/C Paper	
150-C <input type="checkbox"/> 13/pk.	<input type="checkbox"/> 22/pk.	50/pk.	100/pk.

NEW ITEM!

BELT CLEANING STICK - \$6.95

220-A <input type="checkbox"/> \$15/pk.	<input type="checkbox"/> \$25/pk.
320-A <input type="checkbox"/> 15/pk.	<input type="checkbox"/> 25/pk.
400-A <input type="checkbox"/> 15/pk.	<input type="checkbox"/> 25/pk.
600-A <input type="checkbox"/> 15/pk.	<input type="checkbox"/> 25/pk.

Prompt delivery from stock.
MONEY-BACK GUARANTEE

Shipping Charges - Under \$35 add \$2.50; \$35 or more add \$4.00—PA residents add 6% sales tax.

Check or Money Order.
 MasterCard VISA Exp. Date _____
Acct. # _____
Name _____
Address _____
City, State & Zip _____

**CALL TOLL FREE
1-800-428-2222
PA Only - 1-800-222-2292**

INDUSTRIAL ABRASIVES CO.
643 North Eighth Street
Reading, PA 19603

FINISH

with a flourish . . .



Wood Finisher's Handbook

—Sam Allen

Wouldn't you like to apply a finish like the best you've ever seen? Now you can, without spending hundreds of dollars on new equipment or adding hours of work.

Wood Finisher's Handbook is the answer you've been looking for. You'll quickly become a pro at every tool, every task, every technique, with these complete, readable instructions, and 150 close-up, easy-to-follow photographs. Everything you need is included:

- Solid step-by-step instructions to prepare new wood and repair previously finished wood
- Detailed discussions of advanced techniques such as French polishing, wood graining, hand rubbing, gilding, stenciling, and chemical staining
- Quick and easy methods of making and applying stains
- Time- and money-saving ways to apply protective coatings such as penetrating finishes, varnish, lacquer, shellac, and the new two-part finishes
- Advice from the masters about the advantages and disadvantages of every product, wood type and sandpaper

Hundreds of projects you've never dreamed possible can appear from your workshop at last!

Order now. Send \$9.95 to:

S Sterling Publishing Co., Inc., Dept. WD

Two Park Avenue, New York, NY 10016
Special bonus with this issue: FREE Freight!

New GLOSS!



PRODUCTS THAT PERFORM

Continued



All-around sanding tools

The trickiest part of using sandpaper-covered dowels in those hard-to-reach curves is keeping them from loading up with particles—or wearing out when you're *almost* finished. These sanding tools solve those problems with abrasive surfaces of tungsten-carbide grit brazed to a steel backing. The tools feature fine grit on one side and coarse grit on the other. *Perma-Grit Sanding Tools*. $\frac{1}{8}$ ", \$6.95; $\frac{1}{4}$ ", \$6.95; $\frac{3}{8}$ ", \$8.25—all postpaid. We obtained ours from MicroMark, Dept. W, P.O. Box 5112-100, 24 E. Main St., Clinton, NJ 08809.

sole. The tool is just 6" long with a 1½" blade—small enough to fit in one hand, but wide enough for jobs ranging from general trimming to end grain planing. *Wedged Block Plane*. \$11.95 postpaid from Fine Tool Shops, Inc., Dept. W, 20 Backus Ave., Danbury, CT 06810.



A turn for the better

Here's relief for victims of wristlash: This line of three ratchet screwdrivers was designed to take the work out of projects that require multiple fastening operations. The large handle on each tool fits your fist for maximum comfort and torque, and the three-position drive switch lets you drive, loosen, or lock the shaft for use as a regular screwdriver.

The small set (shown above) includes the tool, five screwdriver bits, and storage case. The medium version adds a socket adapter and seven standard sockets; the large set includes everything in the medium set, plus seven metric sockets and five TORX bits. *Stanley Workmaster Ratchet Screwdrivers*. Six-piece set about \$16; 14-piece set about \$22; 26-piece set about \$30. Available at hardware outlets nationwide. 🍀



Fine block plane at a bargain-basement price

The craftsmanship and feel of this wedged block plane would convince most woodworkers to add one to their shop, but the \$11.95 price makes it an unbeatable value. This tool works as well as it looks, combining a lightweight beech body with an extra-hard lignum vitae



HOW-TO BOOK CLUB

Discover the Troubleshooting and Repair Secrets of Skilled Auto Mechanics and Home Craftsmen

- Repairing
- Restoring
- Customizing
- Refinishing
- Remodeling
- Renovating

with the Book Club that Makes it Easy

Select 5 Books for Only \$2⁹⁵



1868 List \$18.95



1639 List \$16.95



1122 List \$18.95



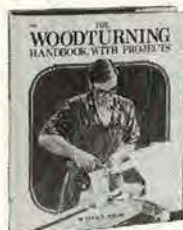
1928 List \$18.95



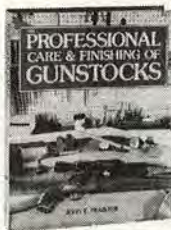
1046P List \$8.95 (paper)



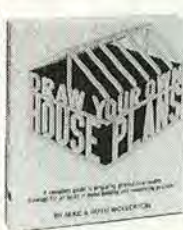
1809 List \$22.95



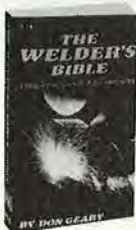
1655 List \$21.95



1756 List \$21.95



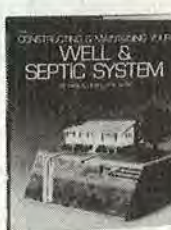
1381P List \$14.95 (paper)



1244P List \$14.95 (paper)



1297 List \$17.95



1654 List \$19.95



1530P List \$15.95 (paper)



1354 List \$15.95



1528P List \$10.95 (paper)



1348 List \$16.95



1744 List \$23.95



1546P List \$13.95 (paper)



1321 List \$14.95



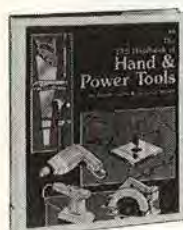
1510P List \$12.50 (paper)



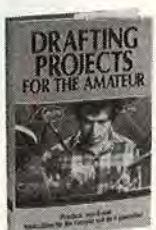
1245P List \$16.95 (paper)



1871 List \$16.95



1638 List \$26.95



1361 List \$18.95



1520P List \$13.50 (paper)



1687 List \$15.95



1909 List \$21.95



1440P List \$9.95 (paper)



FREE Shop Apron

7 very good reasons to join the How-To Book Club

- **Big Savings.** Save 20% to 75% on books sure to increase your how-to know-how
- **No-Risk Guarantee.** All books returnable within 10 days without obligation
- **Club News Bulletins.** All about current selections—mains, alternates, extras—plus bonus offers. Comes 13 times a year with hundreds of up-to-the-minute titles to pick from
- **Automatic Order.** Do nothing, and the Main selection will be shipped automatically! But . . . if you want an Alternate selection—or no books at all—we'll follow the instructions you give on the reply form provided with every News Bulletin
- **Bonus Books.** Immediately get Dividend Certificates with every book purchased and qualify for big discounts of 60% to 80%
- **Extra Bonuses.** Take advantage of added-value promotions, plus special discounts
- **Exceptional Quality.** All books are first-rate publisher's editions selected by our Editorial Board and filled with useful up-to-the-minute information



HOW-TO BOOK CLUB

P.O. Box 8, Blue Ridge Summit, PA 17214

Please accept my membership in the How-To Book Club and send the 5 volumes circled below, plus, my FREE shop apron billing me \$2.95 plus shipping and handling charges. If not satisfied, I may return the books within ten days without obligation and have my membership canceled. I agree to purchase 4 or more books at regular Club prices (plus shipping/handling) during the next 12 months, and may resign any time thereafter.

1046P 1122 1244P 1245P 1297 1321 1348 1354 1361
 1381P 1440P 1510P 1520P 1528P 1530P 1546P 1638 1639 1654
 1655 1687 1744 1756 1809 1868 1871 1909 1928

Name _____
 Address _____
 City _____
 State _____ Zip _____ Phone _____

Valid for new members only. Foreign applicants will receive ordering instructions. Canada must remit in U.S. currency. This order subject to acceptance by the How-To Book Club.

MADE IN U.S.A. **NEW! POWER-FEED**

DRUM SANDER

30-DAY FREE TRIAL!



16 in. and 26 in. models

SANDER FACTS

FREE DETAILS

A Finish Sander . . . A Thickness Sander
 You can use this high-tolerance machine for light dimensioning as well as the finest finish work. Because stock is power-fed at a uniform rate, you'll achieve results impossible to duplicate with hand methods or hand-held sanders. Dimensions remain exact . . . no more low spots, waves or cross grain marks!

Improves Results!

Use the Woodmaster to dimension and finish-sand cabinet pieces, resawn stock, paneling, grandfather clocks, toys, tabletops, knees, burls, crotches, and much, much more! You'll soon find it's one of the most valuable tools in your shop!

30-Day FREE Trial!

Send for Complete Facts! See how you can use the Woodmaster Drum Sander in your own shop for 30 days completely without risk! Easy terms.

Call Toll-Free Today 1 (800) 251-4888

Woodmaster Tools, Dept. RW10, 2908 Oak Kansas City, MO 64108

YES! Please rush my FREE Information Kit and details on your 30-Day Free Trial Guarantee.

Name _____
 Address _____
 City _____ State _____ Zip _____

DISCOUNT PRICES

ON QUALITY TOOLS AND REPLACEMENT PARTS

Zip-Penn

- Save Up To 35% Off Retail
- Complete Line of Chainsaws and Brushcutters
- Hard to Find Parts for Chainsaws, Lawnmowers and Small Engines
- Hand and Shop Tools
- Repair Manuals and Safety Equipment
- Over 23 Years Experience
- Full Money Back Guarantee



SEND FOR OUR FREE CATALOG!

NAME _____
 ADDRESS _____
 CITY _____
 STATE _____ ZIP _____

MAIL TO: ZIP-PENN, DEPT. WOO-01
 P.O. BOX 15129
 SACRAMENTO, CA 95851

IN JUST SECONDS!
Cut a Recess for Quartz Movements!



1/2" Shank
 6 3/4" Length

"BIG BORE!"
 3" Forstner Bit

Order #48630
 MADE IN AUSTRIA

ONLY \$49.95
 (Plus \$2.50 Shipping)

BONUS OFFER!
 World's Finest Quartz Movement!

ONLY \$2.95 ea.
 (Regularly \$6.95)

When Ordered with a "BIG BORE" Forstner Bit!



ONLY 1/8" THICK!

INCLUDES BRASS FINISH HANDS! NO QUANTITY LIMIT - ORDER AS MANY AS YOU WISH!

TWO SHAFT LENGTHS!
 #2325-X01 (for 1/4" dials) ~~\$6.95~~ **\$2.95**
 #2326-X01 (for 5/8" dials) ~~\$6.95~~ **\$2.95**
 NO EXTRA CHARGE FOR SHIPPING!

100-PAGE CATALOG!
 Clock Kits, Movements and Dials

SEND \$2.00 ppd. OR FREE WITH ORDER!
 Call or Write Today! (312)584-9600



Craft Products Co.
 Dept. BG6J, 2200 Dean Street, St. Charles, IL 60174

CALL US FOR QUOTATIONS ON MACHINES & ACCESSORIES BEFORE YOU BUY!



POWERMATIC Model No. 26 Shaper
 \$1,650.00 FOB McMinnville, TN

Model No. 66 Table Saw
 from \$1595.00 up
 Miss. residents add 6% tax.

SPECIAL NET PRICES
FREUD carbide raised panel cutters.

#EC-202	#EC-209
#EC-210	#EC-211
#EC-212	#EC-213

\$79.00 each Prepaid in U.S.A.

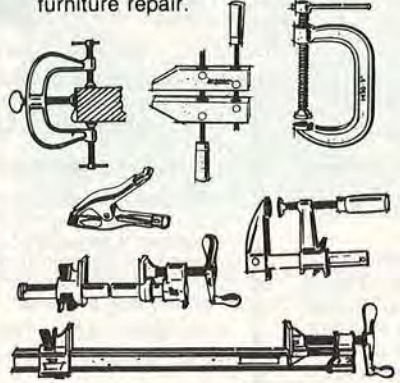
Call us for your special prices on other Freud and Delta blades and cutters.
 Call toll free 800-821-2750.
 In Miss. call 800-321-8107.
 Ask for Tools Department.

Addkison
 HARDWARE CO. INC.

126 E. Amite St., P.O. Box 102
 Jackson, MS 39205

"Jorgensen" AND "Pony" CLAMPS

Dependable extra hands for all types of clamping and work-holding jobs: woodworking projects, home maintenance, and furniture repair.



Write for FREE LITERATURE. For big 32-page "how-to-clamp-it" catalog, send 50¢.

ASK YOUR DEALER

ADJUSTABLE CLAMP COMPANY
 THE CLAMP FOLKS
 410 N. Ashland Ave./Chicago, IL 60622

VIRUTEX 0-81

FASTER MORE ACCURATE JOINERY



REGULAR PRICE **\$335.00**
 SALE PRICE **\$302.50** PREPAID

NEW RYOBI AP-10 THICKNESS PLANNER



10" X 5" CAPACITY
 26 FT/MIN FEED RATE
 8000 RPM
 ALL BALL BEARING CONSTRUCTION
 EASILY TRANSPORTED - COMPACT & LIGHTWEIGHT - 58 LBS!!!
 INCLUDES BLADE SETTING GUIDE, TOOLS, & EXTENSION ROLLERS

PREPAID PRICE **\$495.00**

Texas Residents Add 6% Sales Tax.

**INCA · DELTA · HEGNER · RYOBI
 BOSCH · SORBY · MYFORD LATHES**

Please Call or Write For Information.

DALLAS WOOD AND TOOL STORE
 1936 RECORD CROSSING 214 631-5478 DALLAS, TEXAS 75235

Today's carvers rate basswood highly, but it was probably the Iroquois Indians who first discovered this wood's adaptability to the knife. America's settlers found Indian braves carving ceremonial masks on living basswood trees, then splitting them off from the trunk for hollowing. In the process, the Indians saved the innermost bark fibers for fishnets, mats, and cord.

Basswood, also called linden in Europe and parts of the U.S., provides more than quality carving wood, however. Oil from the blossoms of a European variety are an ingredient in perfume, while in America, honey from basswood's sweet flower nectar tingles taste buds. Even the boxes used to ship honeycomb are made of basswood because it imparts neither odor nor taste.

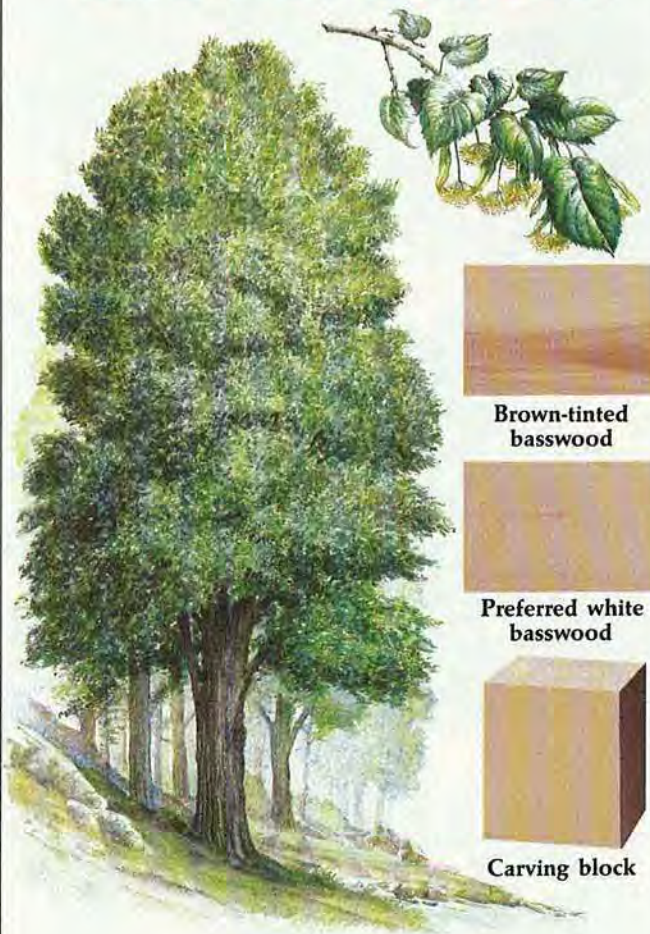
And, if you've ever picked berries in little baskets or received a free wooden yardstick from a lumberyard or hardware store, you probably unknowingly became acquainted with basswood, the source of many of these items.

Wood identification

Among the several basswood species in North America, only *Tilia americana* is commercially important and desirable for woodworking and carving. It grows from Maine to South Dakota and southward through Tennessee and northern Texas. But the Lake Superior area boasts the largest concentration of marketable timber.

BASSWOOD

"How sweet it is!" agree carvers and honeybees



A symmetrical tree, basswood reaches heights of 90' and has distinctive, large, heart-shaped leaves that make it a favorite for city shade plantings. The largest trees grow in the wild, along stream banks. In June and July, white flowers decorate its branches.

Older specimens have deeply ridged, dark gray bark about 1" thick. The bark of young trees ap-

pears lighter in color, smoother, and thinner.

The wood's color ranges from white to creamy white, often containing brown when taken near the center of the tree. Sometimes the wood has bluish mineral streaks, which many find objectionable.

Light in weight at 26 lbs. per cubic foot dry, basswood has fine, consistent grain, yet you can

dent it with your fingernail. Stable when dry, it shrinks considerably during seasoning.

Working properties

As a carving wood, basswood ranks premier because it won't easily chip or break off ahead of the knife—attributes more apparent in slow-growing northern stock.

You'll have no difficulty working basswood with hand or power tools; it sands, glues, and accepts paint exceptionally well. Its fine grain and fibrous cell structure make it hard to stain.

Uses in woodworking

Because basswood holds detail without splitting or breaking, carvers find it perfect for relief work, caricatures, and other carvings with intricate cuts. While most woodworkers don't realize it, basswood can be used for drawer construction, hidden furniture parts, and as a substrate for veneering. It also turns quite well.

Parents looking for a wood easy for children to work should consider basswood, since it drills and finishes so effortlessly.

Cost and availability

Generally available at hardwood outlets and through mail order suppliers, basswood costs about \$1 less per board foot than oak.

Boards may be up to 12" wide and 12' long, but smaller sizes are more prevalent. Carving blocks come in 2" to 4" thicknesses. Veneers are rare. 🌳

Photographs: Hopkins Associates
Illustration: Steve Schindler



Secrets of a Production Turner



Canadian Bert Thompson shares wood-turning techniques his dad taught him and his grandfather taught his dad.



Bert Thompson, 70, has operated his commercial wood-turning shop in Mississauga, Ontario, since 1940. Before that he worked for others—turning wooden pulleys, chess sets, trays, and at one time, even the wooden centers for discuses. On his own, the bulk of his work came and continues to come from builders and furniture manufacturers.

Besides his commercial work, Bert teaches turning. At his shop, students receive one-on-one training. Bert also travels outside Canada for sessions. May, his wife, shares his active life.

Passersby on the busy street fail to notice the sign on the once-white workshop behind the house that says "Wood Turning." Knowing tradesmen, however, often pull in to drop off wood to be turned on his huge, swirling lathe. The work they pay for, they've come to expect, will be exactly as ordered.

Bert Thompson does what's ordered, to specification, for he's learned that builders and furniture makers won't tolerate incompetence. "They'll give you six pieces of wood and want six back," he states.

His skill makes him confident, however, for he's based it on 155 years of wood-turning tradition. Bert has been a professional production turner for more than 50 years. He learned from his father what had been handed down from his grandfather—closely guarded turning techniques that date to 1830 when the elder Thompson settled in Oshawa, Ontario, and began making piano legs in a factory.

At 70, Bert claims to be the "youngest" production woodturner in Canada. Before he becomes the oldest, he wants to share and teach those willing to learn the proven methods passed on to him.

Real turners never scrape

His father, who could still turn at the lathe when he was 90, once turned a column 4' in diameter and 54' long. Bert says the column, "staved up like a barrel," could hold four men inside. His father told him that in those days there were many good turners.

"You could look at a piece of wood and know who turned it," relates Bert, "because every professional turner left his trademark the same as Raphael and other artists. You could tell by the cuts."

You don't, however, have to see a turner's work to know how good he is. According to Bert, you can look under the bench when he goes home. "If you see lots of sawdust, he's a wood scraper. Piles of curly shavings, though, show he's a woodturner. A good woodturner never scrapes—that's a sin!

"Only shearing (cutting) is wood turning," emphasizes the compact, wiry Bert, as he brushes a maple curl from his coveralls. "I know you can scrape something, then sand, and it will look all right. But if you turned it, it would be finished in half the time."

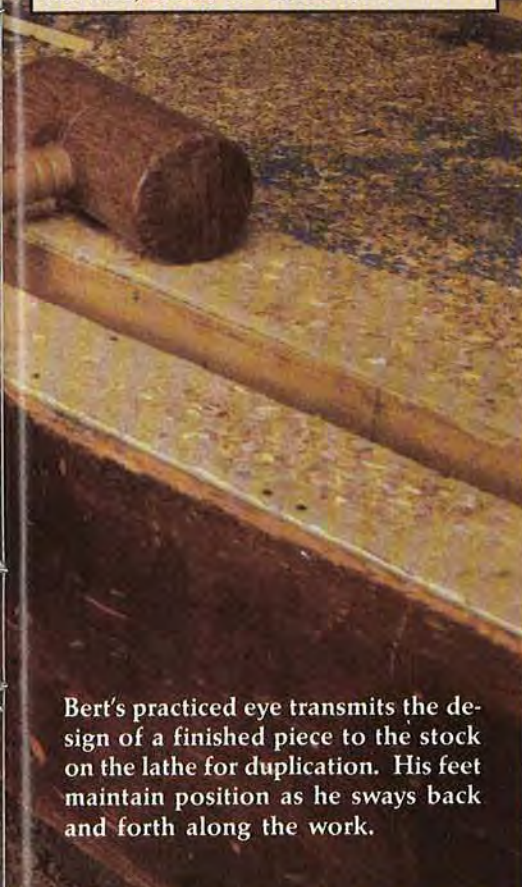
Sanding, he admits, is OK once in awhile, "because some woods don't have an even texture after turning." Shiny spots and dull spots on the same piece of wood means it won't take stain uniformly, so a light sanding becomes necessary.

Bert likes to describe his turned pieces as "smooth as satin." Indeed, if you rubbed your hand across any of the newel posts, spindles, columns, balusters, or chair and table legs stacked around his workshop, you couldn't argue the point.

Start with a vibration-free lathe

Bert's lathe dominates his shop, as it would any space. The Clark de Mille model he uses was made before the turn of the century. It still has its original bearings. And the bed it rests on occupies an entire wall.

Long enough to span 22' between centers, the bed was made by Bert 35 years ago of "British Columbia fir that will never wear out." Its 3×8" legs are sunk 4' in the ground and the back of the 4×10" bed timbers bolt to the building. Understandably, the lathe transfers no vibration.



Bert's practiced eye transmits the design of a finished piece to the stock on the lathe for duplication. His feet maintain position as he sways back and forth along the work.

Continued

Lathe speed also plays a significant role in Bert's production turning. "Most turners turn too slow," he claims. Pieces less than 2" in diameter, Bert turns at 2,500 to 2,800 r.p.m. Up to 6" work rates a slowdown to about 1,750 r.p.m. Larger turnings spin at 1,000 r.p.m. or less (depending on the diameter), like the 14" diameter, 18' long columns he turned for a local contractor some years back. They required a special reduction pulley to get speed down to 400 revolutions.

Tools that cut and last for decades

You can't ask this turner for advice on which turning tools to buy. He's always made his own.

"In my opinion, not one manufacturer makes a proper tool. When I want or need one, I make it, and it will last for 60 years," offers Bert.

"I don't find it necessary to use high-speed tool steel. If I shear with a tool, the edge will stay sharp. If you scrape with a tool, the steel has to be much, much harder so it won't burn."

To shear, tools have to be sharp, and Bert has found the only way to sharpen a shearing tool is to hollow-grind it. "A hollow-ground tool hugs the wood, a flat surface lays on the wood," he points out. "Therefore, a hollow-ground tool takes off more wood because there is more metal on the wood."

Knowing how to hollow-grind (see photo and drawing, below) involves more than the angle put on the end of the tool. Bert advises using a 7" medium-grit wheel 1" wide because "air bubbles trapped in the grit of the stone keep the tool cool as it's sharpened."

And never grind fast. "Don't exceed the speed at which your motor was designed to operate," Bert recommends, "or you'll run too fast. The air won't have a chance to cool the steel, and it will burn." His wheel runs at 1,725 r.p.m.

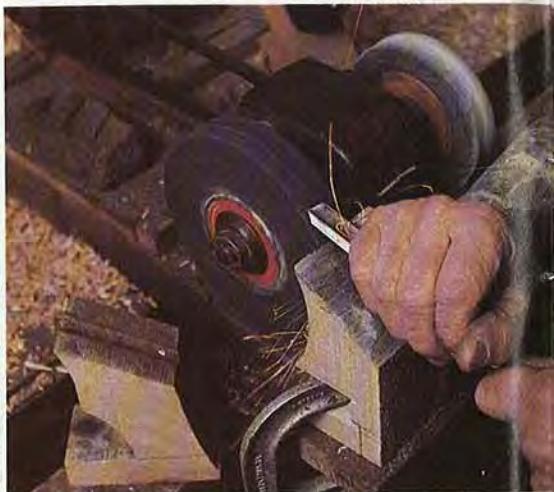
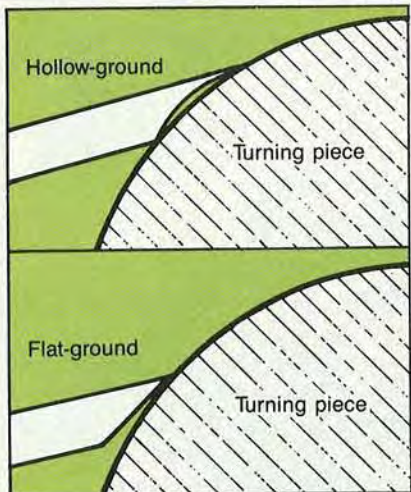
How can you tell when the tool becomes sharp? "When you see sparks coming over and across the tip evenly," Bert says.

Too many tools slow you down

Three tools—a large gouge, a small gouge, and a parting tool shown in the photo, right—do 99 percent of Bert's turning. He rarely uses a skew. Instead, his 1"-wide roughing gouge has a flattened side to smooth. "You save time by not using other tools," he explains.

In this turner's world of time and precision, handles make a difference, too. Bert has no use for "long and strong" handles: "That means long and stupid. If you turn right, you don't need the leverage long handles give you."

Handles must fit your hand or they're of no use at all in his opinion. "They're a very personal thing,

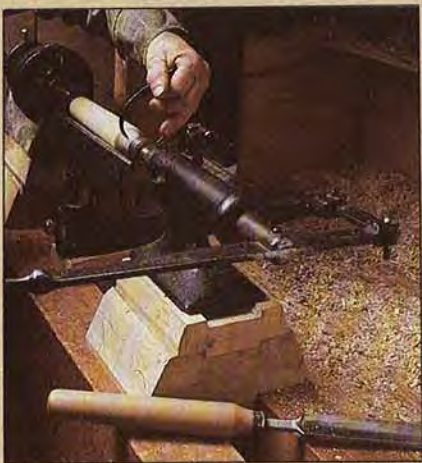


Hollow-ground tools take off more wood because they put more metal against the wood. Sharp shearing on the lathe results from such tools. The block sets the angle.

MAKE YOUR OWN TOOL HANDLES

Bert uses ash to make tool handles like this. His are 9" long "for even the largest tools" and large enough in diameter "so your fingers won't meet the palm of your hand" when you close around it.

On the lathe, he tapers the end into which the steel will be inserted to 3/4" so it fits the ferrule (he fashions them of 3/4" i.d. galvanized pipe and other materials). "Don't bother to put a finish on the handle because that just makes it slippery to hang onto," advises Bert. "Let them weather. Be sure to get them smooth first, however!"



BERT THOMPSON'S TRIED-AND-TRUE CENTER FINDER

"You can't buy a decent center finder," Bert states. But you can make one like his.

To find the center of turning stock, loosen the wing nut so the top piece slides. Position the top on the stock at what looks like the center, then push the base up against the wood and tighten the wing nut. Now, mark a pencil line from each side of the wood with the finder (see photo, right). The resulting square between the lines will be the center. For round stock, use the "V" of the base against the wood.





A large gouge, small gouge, and a modified parting tool that can act as a skew are the only tools Bert really needs for between-centers turning.

made to fit you, not someone else." That's why Bert makes all his tool handles himself (see box, *opposite page*).

How you stand makes a difference

At least once a week, Bert likes to go dancing. But when he talks about the "woodturner's sway," it's not the one he does to music.

"Until you learn it, you can't turn," he says, his relish in showing how it's done breaking his expression to a grin.

Bert's an underhand turner—the steel rests and balances in the palm of his left hand and slides along the steady rest while the right hand slightly guides the handle. He insists that underhand is the only way to turn, but the sway has to accompany it, since footwork maintains your proper position to the spinning

work on the lathe.

"You could call it 'sea legs.' Your feet never move, but your body does," he says as he shifts his feet into position among the wooden ringlets covering the workshop floor. "If you imagine a clock face, your left foot should be at half-past ten, your right at half-past four. You must keep your heels on the ground but your weight on the balls of your feet. Then, you can move along the work."

Combine the sway with the steadiness provided by tucked-in elbows and you'll be able to shear smoothly in the Thompson tradition. "Every move must have a follow-through—not too quick or too slow," Bert cautions. "It doesn't take much movement to put a ridge on the wood. And, if you make one mistake, it's ruined."

Woodturners can always work

Compared to the days when Bert had a half-dozen men working for him, today things are slow. He now turns alone, yet believes he could make \$200 a day every day of the week, if he wanted to. Even with today's competition from high-tech machinery, which produces hundreds of turnings per shift, Bert thinks a good woodturner could still make a living.

"There will always be work for the hand woodturner because machines can't be automated to turn only one or a dozen pieces," he states. "A woodturner needs only his lathe and no one needs to work for him. He can do it all alone."

Bert sees a future in woodturning, not only because he loves it, but because he doesn't want the skill to become history. To preserve it, he began his Canadian School of Woodturning several years ago so he could pass on the techniques.

"You can learn to scratch, and scrape, and sand, but that is not woodturning. You cannot learn it by yourself. You have to be taught to be good," says Bert. ●

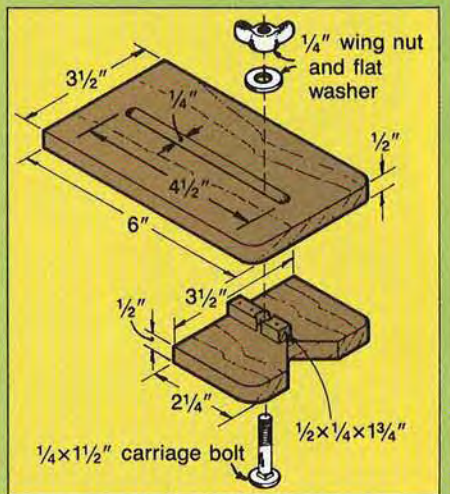
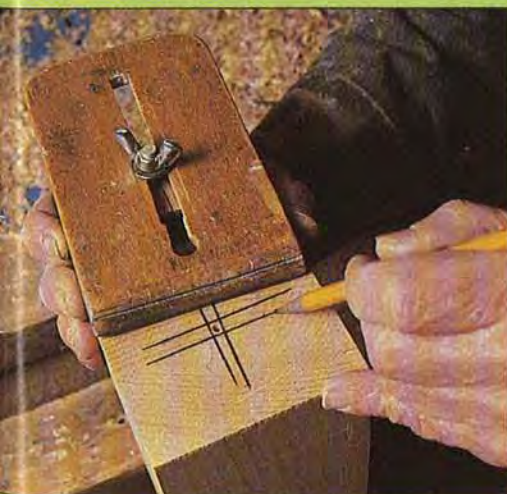
Produced by Peter J. Stephano
Photographs: James Eager
Illustrations: Bill Zaun

MORE OF BERT THOMPSON'S TURNING WISDOM

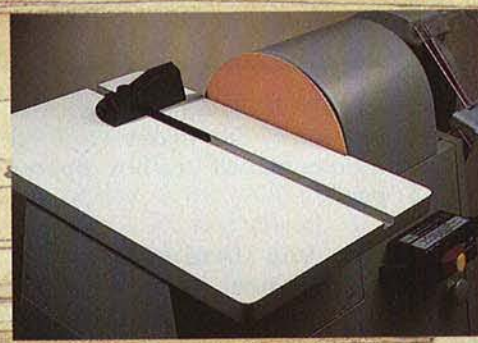
- "Before you turn a piece of wood, bounce it off the floor. If it doesn't bounce, it has a crack in it and could break your nose."
- "Your steady rest must have a 20- to 30-degree angle to the wood so the tool can shear."
- "The lathe center should be elbow height to get the proper angle for taking off wood."
- "If you must use work lights, position them between you and the

work. Daylight is best."

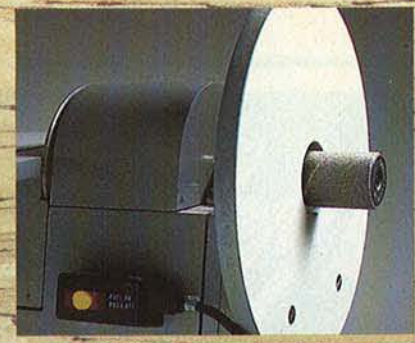
- "Take the stone to every new tool and bevel its edge so it will slide along the steady rest."
- "A solid piece is more likely to warp than if you cut it in half, reverse the grain, and glue it back together. Then one side fights the other and it stays straighter."
- "If you turn a lot of hardwoods, shorten the grind on your tools so they don't heat up as fast."



INTRODUCING
THE
AMAZING
8-SPEED
MULTI-
MACHINE



Disk sander and table



Vertical drum sander

IT SANDS,
IT GRINDS,
IT SHARPENS!





Drill chuck with pneumatic sander



Grinder with tool rest and guard



Wet sharpening attachment

 Print this article

Even the term “multi-use” doesn’t do justice to this incredibly hard-working homemade tool. With the accessories shown in these photos, you can disk-sand, drum-sand, and sharpen with a wetstone or grinding wheel. If that’s not enough, you can mount a drill chuck to contour-sand with either a flap sander or inflatable-drum sander, or clean rust with a wire-brush wheel. The drill chuck allows you to add several accessories only suited to a drill before. And to top it off, this workshop jack-of-all-trades lets you choose from eight different speeds for just the right r.p.m.’s to do the job properly.

We show you how to construct the cabinet and disk-sanding table in this article, and where to buy the mechanical components. In the next issue of *WOOD*, we’ll tell you how to build the add-ons and where to buy the accessories.

BUILDING THE CABINET

1 Rip, then crosscut base frame parts A and B to size from 2×6 stock. Glue and butt-joint the parts as shown in the Exploded-View Drawing, using #8×3” screws and checking for square. (For better adhesion when joining end grain to face grain, we rub a coat of glue into the porous end grain first, wait

Note: See the Buying Guide on page 85 for the details about mechanical parts. Because some mechanical components vary in mounting-hole spacing and size, we recommend buying all the parts beforehand.

Also, note that to protect the exposed edges of the plywood panels used in this project, we cut and glued 1/8”-thick birch banding strips to them. Dimensions given in the Bill of Materials and drawings include edge banding.

a minute, and give it a second coat. Then we coat the surface grain of the mating piece and clamp the pieces together.)

2 Cut two plywood rectangles for the cabinet’s side panels (C). Using double-face tape, stick the panels together and cut them to shape as dimensioned in the Exploded-View Drawing (this ensures two perfectly matched panels). Cut 4” off the top of the left panel to a finished height of 37”.

3 Rout the decorative 1/8” vein 1/8” deep 5” up from the bottom of both sides. (The vein will match the slight gap between the base and the cabinet door.)

4 Glue and screw the side panels to the base frame as shown in the Exploded-View Drawing. (The panels will extend 3/4” beyond each end of the frame.)

5 Cut the center divider (D) and outboard shelf (E) to size as listed in

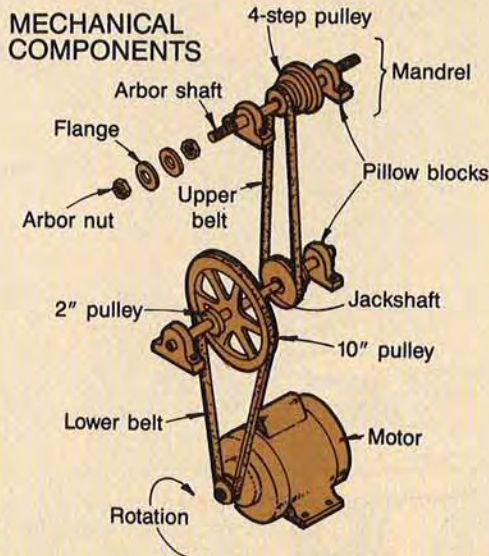
Instructions continued on page 44

DESIGN NOTES

An arbor shaft, which is the heart of our multi-machine, has many uses in the shop. We’ve long thought the arbor shaft could accomplish even more tasks—if we could only adjust the speed to suit the job. Our multi-machine does just that. Here’s how it works and what the terminology in the drawing at right means:

A *mandrel* consists of an *arbor shaft* with threaded ends supported by two *pillow blocks*. Accessories are held in position on the arbor shaft by *arbor nuts* and *flanges*.

To reduce the speed of the arbor shaft to do low-speed work, we had

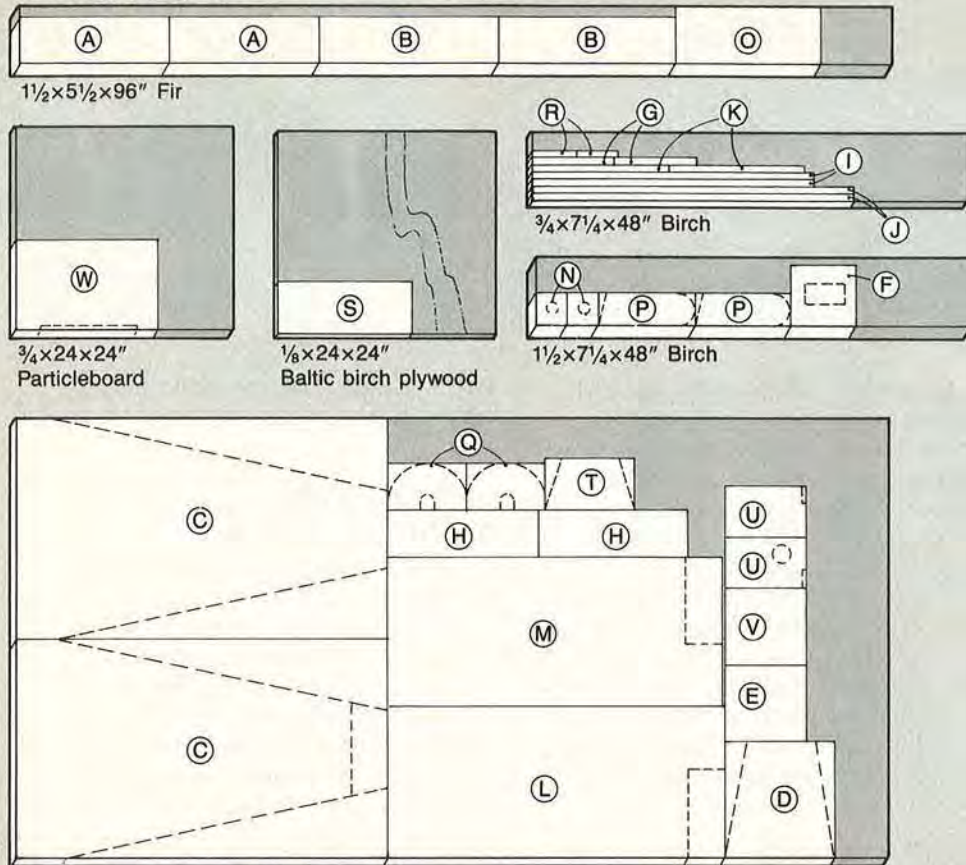


to use a *jackshaft*, also supported by two *pillow blocks*.

You can drive the jackshaft at two speeds: high and low. High speed is attained by running the *lower belt* from the *motor* to the *2” pulley* on the jackshaft. You can reduce the jackshaft speed by running the lower belt from the motor to the *10” pulley*. The arbor-shaft speed can be reduced even further by running the *upper belt* on the smallest pulley of the jackshaft *four-step pulley* and the largest pulley on the arbor shaft.

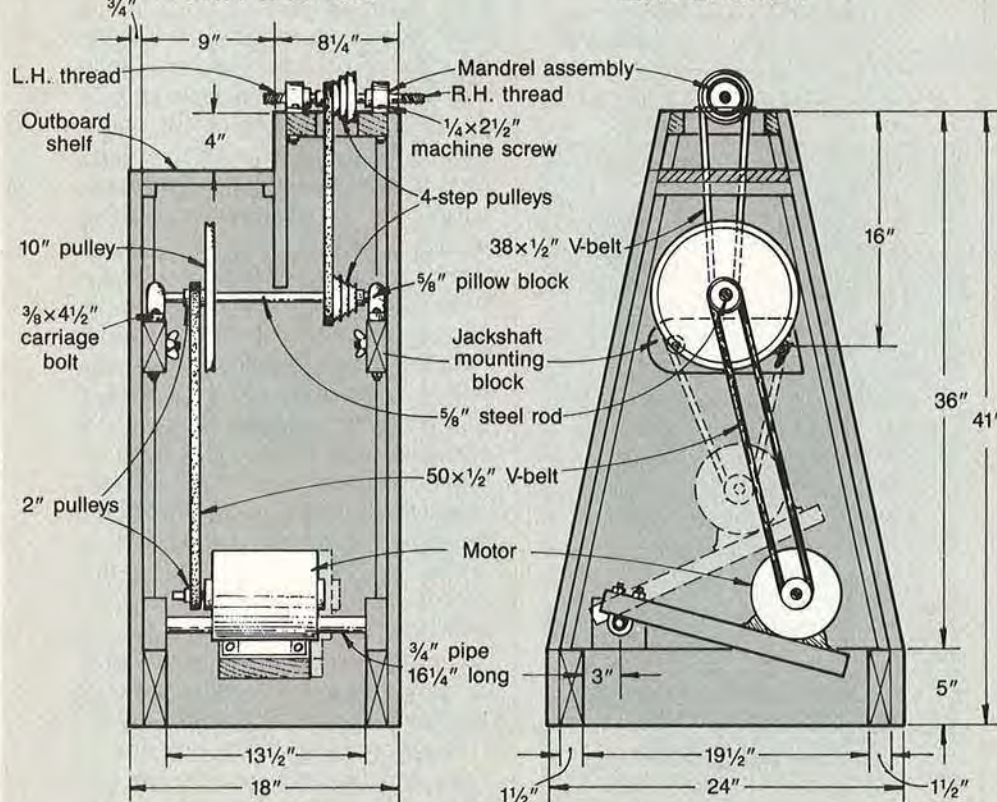
—James Downing,
Design Editor

Cutting Diagram



FRONT SECTION

SIDE SECTION



Bill of Materials

Part	Finished Size*			Material	Qty.
	T	W	L		
CABINET					
A	1½"	5"	16½"	fir or pine	2
B	1½"	5"	19½"	fir or pine	2
C*	¾"	24"	41"	plywood	2
D	¾"	12 1/8"	12"	plywood	1
E	¾"	9"	9"	plywood	1
F	1½"	6¾"	7 5/8"	birch	1
G**	¾"	¾"	9 1/8"	birch	2
H	¾"	5"	16½"	plywood	2
I**	¾"	¾"	32"	birch	2
J	¾"	¾"	35 1/4"	birch	2
K	¾"	¾"	15"	birch	2
L*	¾"	16½"	36 3/4"	plywood	1
M*	¾"	16 5/8"	36 5/8"	plywood	1
N	1½"	3 1/2"	3 1/2"	birch	2
O	1½"	5 1/2"	17"	fir or pine	1
P	1½"	3 1/2"	10 1/2"	birch	2
Q**	¾"	5"	8 1/2"	plywood	2
R	¾"	¾"	4 5/8"	birch	2
S**	1/8"	14 1/2"	5 7/8"	Baltic birch ply.	1

DISK-SANDER TABLE

T*	¾"	5 1/2"	10 1/4"	plywood	1
U	¾"	5 5/8"	9"	plywood	2
V	¾"	8 3/4"	9"	plywood	1
W	¾"	10"	16"	particleboard	1

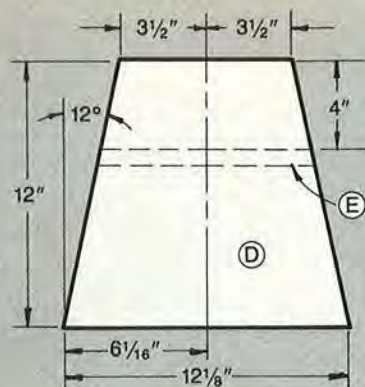
* Dimensions include use of birch banding on these pieces.

** Some parts are cut larger initially, then trimmed to finished size. Please read the instructions before cutting.

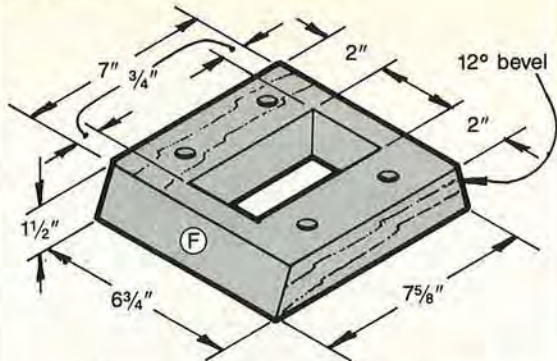
Supplies: #8×1¼" flathead wood screws, #8×1½" flathead wood screws, #8×2" flathead wood screws, 1—¾×16¼" black-iron pipe, 2—¼×3½" U-bolts with metal plate/washers/nuts, 4—¾×4½" carriage bolts and nuts, 2—¼×3" carriage bolts with washers/wing nuts, 2—¾×3" carriage bolts with washers/hex nuts, ¾×2" roundhead machine screws and ¾" T-nuts, 4—¼×2½" hex-head machine screws/lock washers/nuts, 1—38×½" V-belt, 1—50×½" V-belt, 5/8×16¼" round steel shaft, 1 pair—¾×2½" loose-pin butt hinges, magnetic door catch, round magnetic door catch, 1" continuous (piano) hinge 6" long, contact cement, wood door knob, plastic clamps for holding electrical cord, balance sheet, plastic laminate, paint

Continued

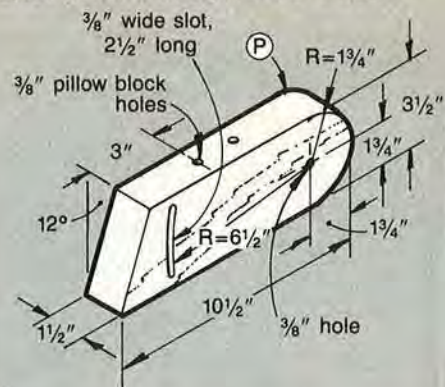
CENTER DIVIDER



MANDREL BASE



JACKSHAFT MOUNTING BLOCK



the Bill of Materials. Then, lay out and cut the center divider to shape as shown in the Center-Divider Drawing. Also, bevel the edges of E at 12° to match the angle of D.

6 Using solid birch or laminated stock, cut the mandrel base (F) to size, then to shape as shown in the Mandrel-Base Drawing, bevel cutting the ends at 12°. Use flat stock, as the top of F must be perfectly flat when you later mount the mandrel assembly to prevent the mandrel shaft from binding. Mark the location of the belt opening on F. Drill a hole through F large enough for a jigsaw blade, then cut the opening to size.

7 Glue and screw the center divider (D) to the mandrel base (F). (The top and sides of D should be flush with those of F.)

8 Cut the two outboard shelf support cleats (G) to size plus 1" in length. Glue and screw both cleats to the bottom of the outboard shelf, and cut the ends of the cleats flush with the shelf's beveled edges. Glue and screw the shelf-cleat assembly 4" down from the top of D, as shown in the Cabinet Front-View Drawing on page 43.

9 Glue and screw the D-E-F-G assembly to the cabinet sides. Make sure that the assembly sits in 3/4" from the front and rear edges of both side panels.

10 Cut the toe kicks (H) to size, then glue and screw them to the cabinet base.

11 Cut cleats I, J, and K to size. Drill pilot holes in the back cleats (one I and one J) before fastening them to the cabinet sides. Doing this makes it easier to mount the back panel (L) later. Cut a 12° bevel on one edge of each K cleat.

Then, glue and screw all of the cleats to the side panels and the base frame. Position them 3/4" back from the edges to accommodate the back panel and door. See the Exploded-View Drawing on page 42 for correct placement.

12 Cut the back panel (L) and the door (M) to size, beveling the bottom and top end of each at 12°. Cut a 4×9" notch in both the back panel and door to accommodate the outboard shelf. Glue and screw the back panel to the cabinet. Attach the hinges and hang the door.

INSTALLING THE MOUNTING BLOCKS

1 Cut the motor-mount pivot blocks (N) to size. Find the center of each by drawing lines between opposing corners, and bore a 1 1/8" hole in the center of each to accommodate the 3/4" pipe (1" outside diameter). Drill pilot holes through each block for mounting to side panels C. Cut the pipe to 16 1/4", and slip a mounting block on to each end. Glue and screw the blocks, with the pipe inserted, to the cabinet sides where indicated on the Side-View Drawing.

2 Cut the motor-mount block (O) to size. Drill 1/4" holes for the U-bolts where shown in the U-Bolt Detail. Attach O to the pipe and tighten the U-bolt nuts, allowing the block to slide on the pipe.

3 Cut the jackshaft mounting blocks (P) to size, then lay out and cut them to the shape shown in the Jackshaft Mounting-Block Drawing. Measure and mark the location of each block's slot, drill two 3/8" holes, and join the holes to form the 3/8"-wide curved slot by cutting out the path with a jigsaw. Drill 3/8"

holes in each P for mounting the pillow blocks and for the pivot bolt.

BUILDING THE MANDREL COVER

1 Cut the cover's sides (Q) to rectangular shape, then scribe a 4" radius 1" from the bottom, as shown in the Mandrel-Cover Side Drawing. Cut the sides to shape, and cut the shaft clearance slot. Using a straight bit and router table as shown in the photo, *above right*, cut a 1/8" rabbet 3/8" deep in each Q to house the hood (S).

2 Cut the cleats R to size. Bevel-rip one edge of each cleat at 12° to accommodate the angle of the rabbet and the hood.

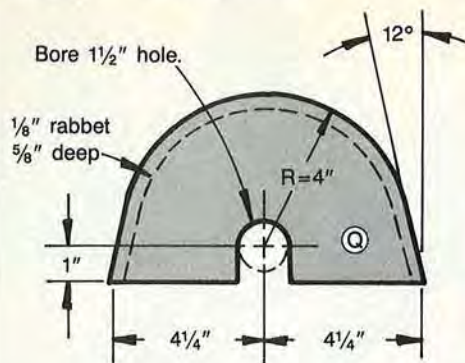
3 Glue and clamp the sides (Q) to the cleats (R). Drill pilot holes and fasten the sides to the cleats with #8×1 1/4" screws. Position the screws toward the inside edge of the back cleat to prevent hitting the screws when you rout out the hinge rabbet in step 5 later.

4 Rip and crosscut the hood (S) from 1/8" Baltic birch plywood. Sponge the outside of the plywood with hot water to make it more pliable. Apply glue to the rabbet in Q, then clamp and roll the plywood into the rabbet. (This step takes two people—one to hold the side-cleat assembly and one to roll the plywood into the rabbet and attach the clamps.)

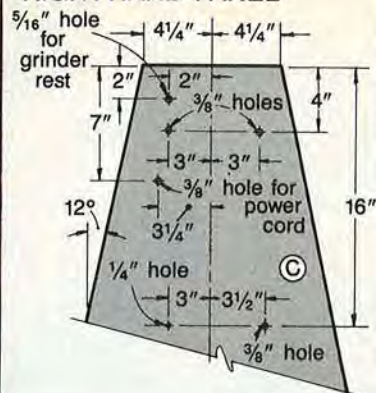
5 After the glue dries, rout a 3/8" rabbet 3/16" deep in the hood to accept the continuous hinge. Cut a 1"-wide hinge to 6", and screw it to the cover and to the stand.

6 Position and drill the hole for the magnetic catch into the top edge of D. Install the catch, then

MANDREL COVER SIDE



RIGHT-HAND PANEL



align and attach the strike plate to the bottom of the cover (Q).

MOUNTING THE MECHANICAL PARTS

1 Remove the pulley that comes with the mandrel assembly, and attach the four-step pulley to the mandrel, as shown in the Front-View Drawing. (While we used the sleeve-bushing pillow blocks that are part of the mandrel assembly, we highly recommend using self-centering pillow blocks. We experienced excessive power loss at high speeds due to bushing friction. See Buying Guide for details.)

2 Position the assembled mandrel on the mandrel base (F), and mark the pillow-block hole location. Drill the holes and bolt the mandrel to the base with a 38" V-belt looped over the pulley. Once the assembly is mounted, spin the 5/8" shaft by hand to check for any misalignment caused by tightening the mandrel assembly to the base (F). Shim if necessary. (The use of self-aligning bearings compensates for shimming.)

3 Drill the 1/4" and 3/8" holes in both side panels as dimensioned in the Right-Hand Panel Drawing. Mount the jackshaft-mounting blocks (P) to the sides of C. *Finger-tighten* the nuts.

4 Cut 5/8"-round steel stock to 16 1/4" for the jackshaft. Slide the four-step pulley, 10" pulley, 2" pulley, and self-centering pillow blocks onto the jackshaft, as shown in the Front-View Drawing and in the photo, *right*. The pillow blocks we used (see Buying Guide on page 85) have shaft-locking collars that prevent the shaft from moving laterally when in use. Position the upper

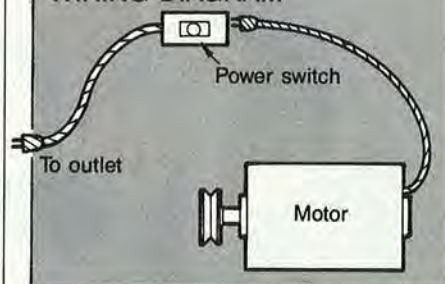
and lower V-belts, and secure the assembly to the mounting blocks (P) with carriage bolts.

5 Position the motor near the end of the motor-mounting block (O), and mark the location of the holes. Drill the holes, and secure the motor to the block. Slide the 2" pulley onto the motor shaft. Lift the motor and mounting block up and align the belts and pulleys as shown in the Front-View Drawing. Once everything is lined up, lower the motor and tighten the set screws on the pulleys.

6 Drill a 3/8" hole through the right-hand panel (C) as indicated earlier in the Right-Hand Panel Drawing, and feed the motor cord through it. Run the cord along the inside of the cabinet as shown in the photo, *below*, and connect it to the motor. Be sure to wire the motor so that it

rotates clockwise during operation as illustrated in the Mechanical-Components Drawing.

WIRING DIAGRAM

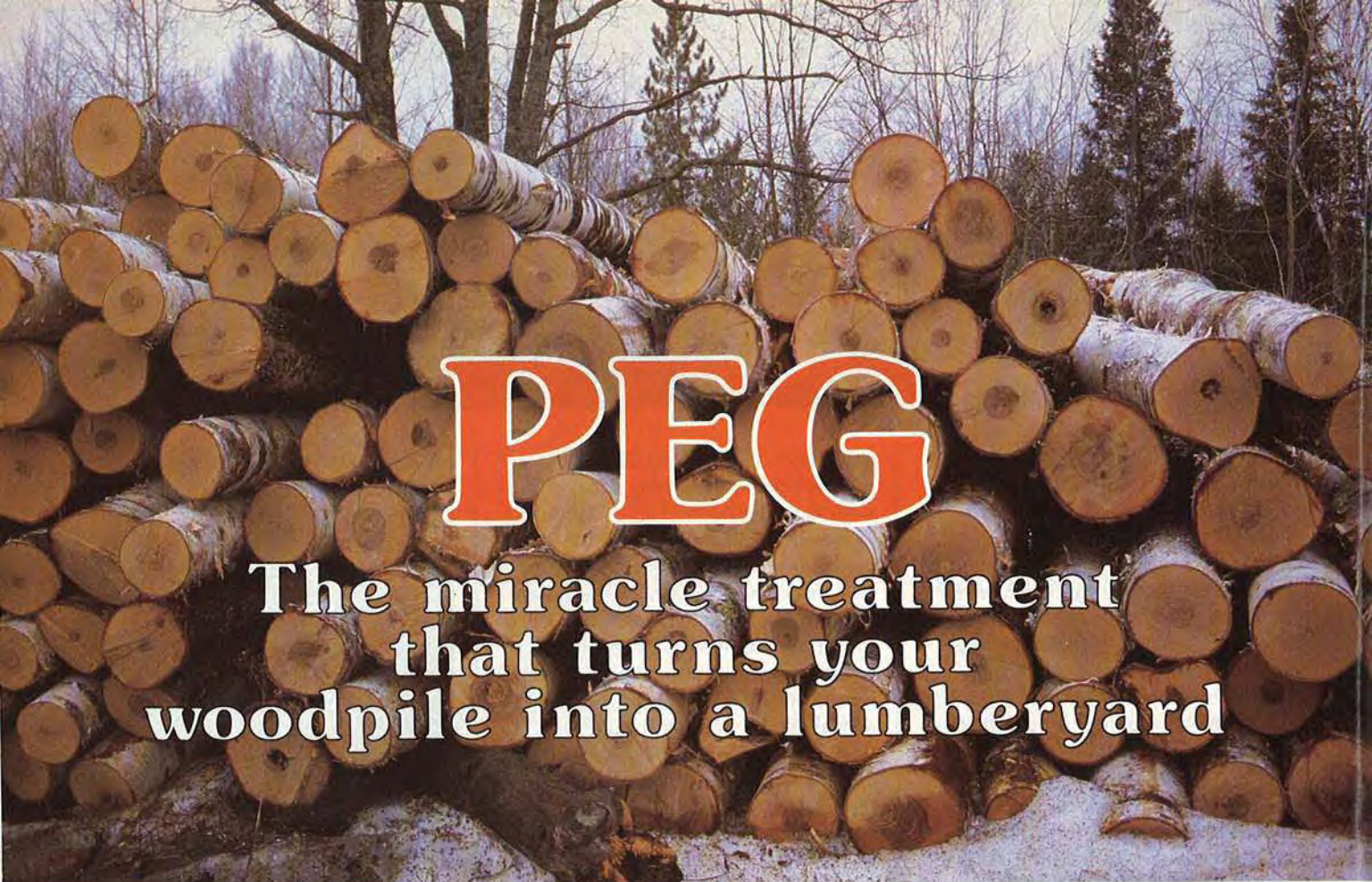


7 Disconnect the electrical cord from the switch. Position the power switch on the door, then mark and drill the mounting holes. Drill 3/8" wire access holes through the door and left-hand panel (C). Run the cord from the left-hand panel, along the inside back edge of the door, and through the power-cord access hole, and reconnect it to the switch. Allow plenty of wire between the door and cabinet so that the door opens and closes without stretching the cord. (We used plastic clamps to mount the cord to the cabinet and door.)

8 Attach the wooden knob to the door front. Install a magnetic catch on cleat J and the strike plate on the back of the door.



Safety Note: This system is designed so that you must unplug the switch in order to open the door to change speeds. This disconnects power to the motor, eliminating the possibility of accidentally starting the motor while changing belt positions or when working on the inside of the cabinet.



PEG

The miracle treatment that turns your woodpile into a lumberyard

It's fast and it's fun. It's also somewhat unpredictable.

It's a doggone miracle what PEG can do," says Patrick Spielman, expert woodcrafter and teacher based at Fish Creek, Wis. "I first heard about it 20 years ago, and PEG's possibilities still amaze me!"

Back in the Fifties, forestry researchers began taking a close look at how PEG, short for *polyethylene glycol*, "freezes" wood in its green state. Since then, the chemical has seductively fascinated both researchers and woodworkers.

Why so much excitement about something that sounds as if it belongs in your car radiator? Far from being an antifreeze, this version of polyethylene glycol has special properties that allow experimenters to season freshly cut green wood chemically to prevent cracks, checks, shrinking, and warping.

What's so special about PEG?

With PEG, there's no need to worry about conventional drying methods to stabilize woodworking stock—no



PEG, the waxy-looking block in the background, makes it possible to turn bowls with the bark still on and use fresh-cut green wood.

air-drying, no kiln-drying, no long waits for proper seasoning. Your woodlot becomes your lumberyard. You can work green wood right from the tree into lamps, bowls, vases, candlesticks, slab clocks, tables, or carvings. Treated with PEG, a project you spent hours on won't suddenly be ruined by a crack down the middle.

PEG offers good insurance against such unplanned disasters, even with thick, heavy slabs, or chunks. And for a real rustic look, you can leave the bark on the wood—after PEG treatment, it won't fall off.

As for safety, it's not a problem. PEG is nontoxic, can't be absorbed through the skin, has no odor, and won't explode. In fact, "relatives" of PEG are used in lotions, cosmetics, and deodorants.

Even with all this going for it, PEG has a hitch: Clear-cut guidelines about its use just don't exist. You learn to use it by trial and error. However, after more than two decades of experiments, enough rules of thumb have been developed so even first-time PEG users have a good shot at success.

How PEG works its magic

Researchers have found that PEG with a molecular density of 1000 does the "curing" job best. PEG 1000 comes as a waxy, white, semi-solid that looks a lot like paraffin. When green wood is immersed in a PEG-water solution, the large PEG molecules displace the wood's natural moisture. Because PEG evaporates little compared to natural moisture, it stabilizes the wood's cell structure.

The challenge is to get PEG to infuse the intricate cellular structure of green wood without wasting time or chemical. Old hands such as Pat Spielman recommend using completely green, fresh-cut wood. If you want to use dry or partially dry wood you have on hand, soak it in water for two to three weeks.

PEG has to saturate wood to within 25 to 30 percent of its "dry" weight. For instance, a 4-pound dry log should weigh a little over 5 pounds after PEG treatment. PEG

only works when there's water in the wood.

You can treat wood with PEG in two ways. Totally immerse it in a PEG solution, or if the project is too large or thick, surface-treat it. Often, only a few brush applications are needed.

Variables make using PEG tricky

PEG-treating know-how boils down to reading the variables: the concentration of the PEG/water solution and its temperature, plus the characteristics of the wood, such as its density, structure, moisture content, and thickness.

PEG suppliers offer charts showing how to mix up either a 30- or 50-percent PEG solution by weight.

●● A 30-gallon vat can hold about \$50 worth of PEG—enough to treat a whole tree! ●●

The difference is that the higher the PEG-to-water ratio, the shorter the treatment time. Heating up the solution to around 140 degrees also speeds up the absorption process.

Veteran PEG users stack the deck in their favor by reducing variables, such as the type of wood. Pat, for example, works mostly with butter-nut. Another experienced PEG user from Grand Rapids, Minn., Jim Gabrielson, first started with birch, but now uses elm exclusively. And Jim is no dabbler—he goes through more than a half-ton of PEG a year, treating elm in a 500-gallon stainless steel commercial vat and drying it in a large drying room he built himself.

Getting started with PEG

PEG sells for about \$3 a pound in a minimum order of 10 pounds. But a little goes a long way. Since it doesn't evaporate, only the PEG absorbed by the wood being treated gets used up. "It's only pennies when you figure it in cost per project," explains Pat. "A 30-gallon vat can hold about \$50 worth—enough to treat a whole tree!"

Commercial PEG vats cost

money, too. Those sold by Pat range from about \$300 for a 10-gallon unit to \$445 for a 50-gallon one. A heating element costs extra. But, you can side-step this investment by fashioning one of your own. To get started, use a plastic trash can, heavy-gauge plastic trash bag, or even a children's plastic lawn-type splash pool. Try for round shapes because they'll require less PEG: The chemical is wasted in the corners of square containers unless your projects tend to be square.

Keep the wood you're treating submerged in the PEG/water solution by wedging sticks across the surface between the sides of your temporary vat. Be careful not to puncture the sides or you'll lose costly PEG.

Turn the page to learn how PEG pros such as Pat Spielman work with this wonder chemical.

For more information on the PEG process, check out Pat Spielman's *Working Green Wood With PEG*, (\$8.95, Sterling Publishing Co., 2 Park Ave., New York, NY 10016).

WHERE TO BUY PEG

These are the suppliers we know about from whom you can order PEG and PEG-related equipment:

- Albert Constantine & Son, 2050 Eastchester Rd., Bronx, NY 10461
- Craftsman Wood Service, 1735 W. Courtland Ct., Addison, IL 60101
- Crane Creek Co., P.O. Box 5553, Madison, WI 53705
- Jim Gabrielson, 2317 La Plant Rd., Grand Rapids, MN 55744
- Garret Wade Co., 161 Ave. of the Americas, New York, NY 10013
- General Finishes, P.O. Box 14363, Milwaukee, WI 53214
- Industrial Arts Supply, 5724 W. 36th St., Minneapolis, MN 55416
- PITSCO, P.O. Box 1328, Pittsburg, KS 66762
- Spielman's Wood Works, 188 Gibraltar Rd., Fish Creek, WI 54212
- Wilkens-Anderson Co., 4525 W. Division St., Chicago, IL 60651
- Woodcraft Supply, 313 Montvale Ave., Woburn, MA 01801

Continued

JIM GABRIELSON PROFITS FROM BREAKING THE RULES

Long-time PEG user Jim Gabrielson has learned to bend, even break, PEG rules to get projects done faster, easier, or less expensively. He's also learned how to successfully treat elm, usually a no-no for PEG.

Jim keeps chunks of elm soaking in water barrels until he rough-turns them on his lathe. He's not inclined to give away any secrets from his



Elm, dense and hard, supposedly is tough to PEG-treat. Here, elm turnings of thick, thicker, and thickest stock await finishing.

PEG processing, but does say you can tell a chunk of elm good for PEG treatment "if it sinks to the bottom of a water barrel."

To aid PEG penetration, Jim often raises the temperature of his treating solution above the recommended 140 degrees F. and uses a hot water heater connected to his vat to do the heating. He also likes to "pre-stain" his elm by adding bits of metal to the PEG-water solution so they cause a reaction that discolors. For drying, Jim rigged up a squirrel-cage fan to circulate air heated by a wood stove through his 10 x 20' drying room.

Jim may approach PEG unlike other woodworkers, but he does agree with them on one thing: Every piece of wood works with PEG differently.

HOW PAT SPIELMAN USES PEG

Here's how Pat Spielman transforms wet, green wood into beautifully turned finished projects in less than a week. Remember that the process varies from craftsman to craftsman and from wood to wood—you may come up with a method that works better for you.

1. Preshaping green wood

Pat begins his PEG projects right outside his shop. With a chain saw, he cuts chunks of his favored log, butternut from a recently downed log. PEG allows him to be creative because it forgives knots, grain direction, and other features that normally would contribute to cracking.

Some pieces he cuts to turn with the grain; others he rounds off to turn against it. If Pat won't be working the wood right away, he seals it in plastic trash bags to preserve its moisture. Don't store wood this way too long, however. It tends to mold, deteriorate, and discolor.

2. Rough-turning the project

Pat rough-turns each chunk of log to its nearly finished shape at his lathe. Because PEG penetrates a maximum of 1" into the wood he uses, he has to leave 1/4" to 1/2" of thickness for final working after the piece has been treated and dried. That way, there will be enough PEG left in the wood after it's finished to prevent checking or cracking. The core of the wood will remain forever green, frozen inside the PEG layer.

3. Treating wood with PEG

The formula that works for Pat calls for a 50/50 PEG-to-water concentration. PEG, which melts at 104 degrees F., would take days to blend with cold water, so Pat melts it down from its waxy state in a separate non-ferrous metal container. Then, he adds it to the water in his specially designed vat.

Except for stainless steel, PEG reacts with metals and causes the

wood to stain. Therefore you have to use a non-metal container to hold the PEG-water solution. Pat uses a tank he developed and markets called the *Thermo-Vat*. It's a heavy-gauge plastic container with a tight-fitting lid and built-in heating element that raises the solution temperature to 140 degrees F. for faster penetration into the wood.

A floating wood cover keeps the green, rough-turned pieces submerged in the solution. Depending on their thickness, the pieces stay in the vat for up to four days.

4. Drying and sanding the stock

You can dry PEG-treated work by hanging it from the rafters of a garage or attic, a method that can take a few weeks. But Pat finds a kitchen oven much faster. He sets it at 180 degrees F., chucks in the wood, then forgets it for the 8 hours or less it takes to dry.

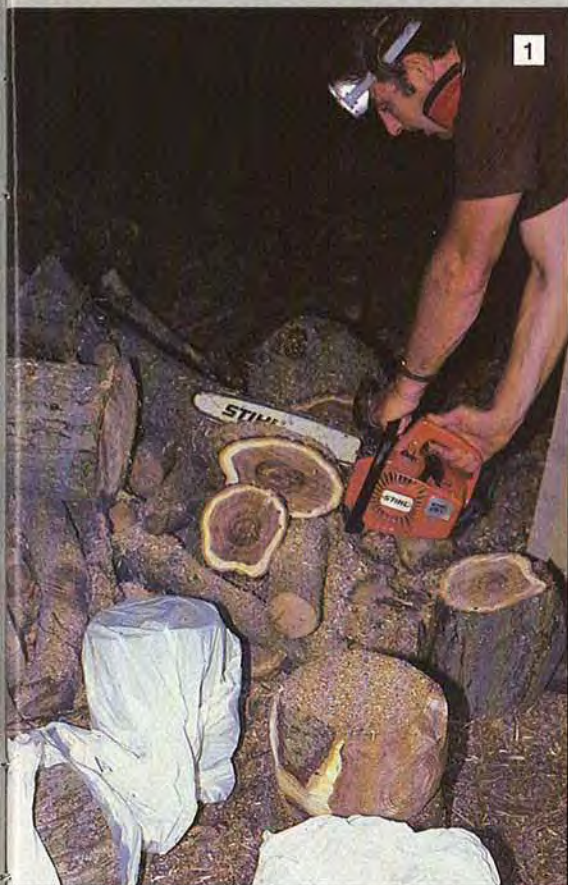
Out of the oven, the dry turnings go back on the lathe for final working. Pat turns them down just enough to be smooth. "You don't want to go in too far and expose untreated wood," he says. Next comes the sanding, which he does with wet-dry paper from 60- to 120-grit.

"Wet-sanding won't hurt your project," according to Pat. But, he cautions, "because PEG is water-soluble, you don't want to soak the piece in water or put it under a running faucet."

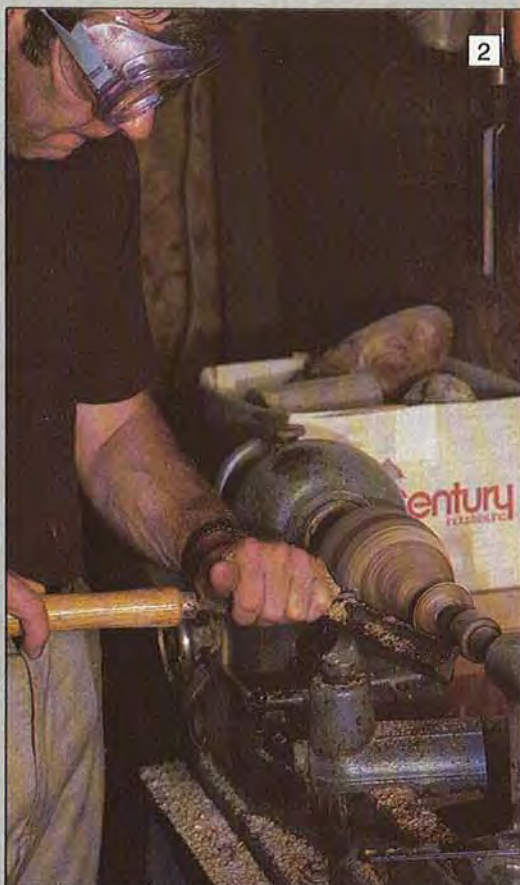
5. Finishing PEG projects

In only a few hours after sanding, Pat's PEG-treated pieces can be finished. Pat likes to use Danish oil, but he occasionally applies polyurethane. For the luster evident in the "birds-eye" bowl shown, Pat topped the polyurethane off with a coat of paste wax.

Without PEG's help, the figure showing in the end of the freshly sawn log couldn't be used for woodworking. If it found its way to the lumberyard in the first place, chances are it would crack later.



1



2

SPIELMAN'S PEG TIPS

● **How to run a PEG treatment test:** "Cut six ½"-thick slices from a green log, and toss them in your PEG solution. Take one out after 24 hours and label it. Take another out after 36 hours, and so on, adding 12 hours each time. When they're all out, stick them in an oven set at 180 degrees. After 8 hours, see which ones haven't cracked or split and look the best, then base your PEG soaking time on those results. Try this for each type of wood you want to use."

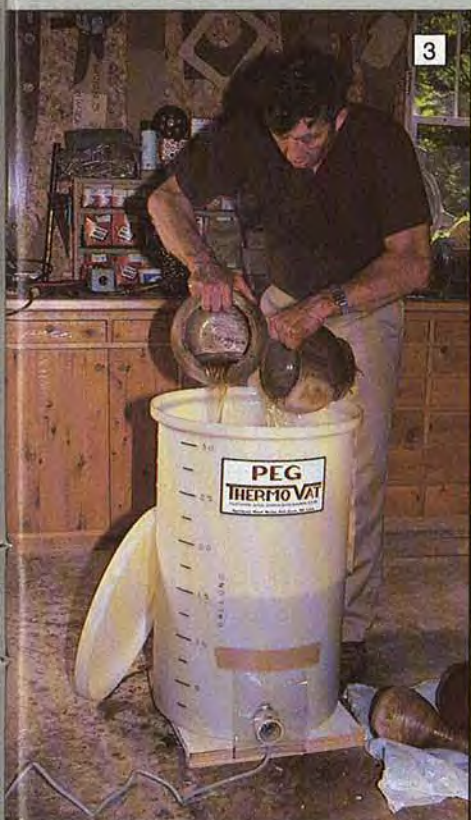
● **About choosing wood:** "Start with low-density woods such as white pine, aspen, cottonwood, willow, or butternut. Avoid dense hardwoods such as black walnut, fruitwoods, maple, yellow birch or beech until you know the process. Then, you can start experimenting, which is half the fun of using PEG."

● **On PEG penetration:** "Drill holes in the bases of thick projects such as lamps to get better absorption into the end grain."

● **On sanding:** "Sand the wood with wet-dry paper right on the lathe. Keep one piece of paper soaking in water to wash off the gum buildup."

● **About overtreatment:** "Don't prolong soaking or use solutions greater than 50 percent PEG. The wood will become harder to sand and the piece may sweat in high humidity." 🍄

Produced by Peter J. Stephano
with Gene Schnaser
Photographs: Jim Elder; Hopkins Associates; Ginny Peifer; Gene Schnaser



3



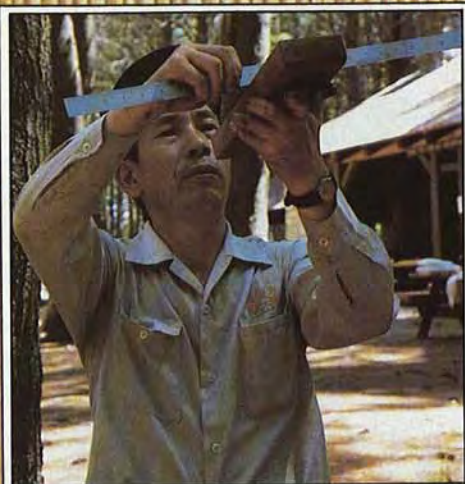
4



5

MADE IN JAPAN

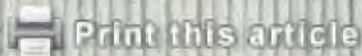
Do the Japanese have a better hand tool idea?



Setting up for planing, above. Craftsman/teacher Fujieda Hiroaki aligns a plane iron for straightness, a delicate task.



More and more American woodworkers are becoming enchanted by hand tools from the Land of the Rising Sun. Why? Because these tools really work, often in surprising ways.



To the untrained eye, a Japanese plane, fashioned from a block of oak and two rough-looking slabs of metal, appears too primitive for precision. Yet, it shears paper-thin, translucent shavings. A Japanese saw, the blade thin and delicate, looks too fragile for hard work. But it can notch an 8x8" beam with ease.

Does this make them better than the tools we're used to? In many respects, the answer is "yes." However, Japanese hand tools are

Tools shown on these pages: Clockwise from top left, Ryoba noko giri for shallow miters, dovetails, and crosscuts; Dozuki noko giri for easier joinery sawing in tropical hardwoods; Ryoguti genno etuki chisel hammer with balanced head; 3/4" and 1/4" Aogami magane oire nomi top-grade, blue-steel chisels; Hinagata polishing plane; Mentori ganna plane cuts chamfers to 1" wide.

very different, and intriguing.

Watching these tools perform, as we did at a recent seminar in New Hampshire, is both foreign and fascinating. The *shokunin*, as Japanese craftsmen are generally called, places the work he will plane on a downward-slanting beam and draws the plane toward himself. During the stroke, he steps back with a dancer's grace. Sawing, he either stands, bending over the wood and holding it in place with his foot, or sits. Then, to make the cut he pulls the blade through the wood, since its teeth are angled to cut only on the draw.

Technique for using Japanese woodworking tools runs contrary to many traditional western methods. Yet, according to one major importer, U.S. retailers sold \$3 million worth of better-quality Japanese tools last year—double the figure of just two years ago. What's behind it all?

To find out, we spoke with folks who sell, and most importantly, use Japanese woodworking tools. One of our first discoveries was that among the hoards of tools available (see page 53 for details about many of them), Japanese planes, saws, and chisels prove popular first-time choices because they adapt themselves well to the western way of doing things.

JAPANESE PLANES: WELL WORTH THE HASSLE, BUT FRUSTRATING FOR BEGINNERS

Fred Damsen, owner of The Japan Woodworker, a California-based tool importer/retailer, says that no Japanese plane comes ready for use. "When you get your plane home," instructs Damsen, "let it sit in your shop for a month so the wood and metal climatize. Then set it up."

At the seminar we attended, which was sponsored by Robert Major's Mahogany Masterpieces, a prominent New Hampshire importer/retailer, we watched one Japanese instructor take

more than half an hour adjusting the fit of a plane iron in its wood block.

Earlier, he had taken long enough to sharpen the iron that we thought we were witnessing a religious ritual. Clearly, adjusting and caring for these tools is a hobby in itself.

Matthew Connerton of Newburyport, Mass., a professional woodworking craftsman and recent Japanese tool convert, even protects his planes from too much sun. "The metal is lively. It moves just as the wood does," he explained as he moved them into the shade.

In Japan, artists make planes for other artists to use. Thomas Hucker, a furniture designer and maker from Boston, came face to face with this tradition. In Japan, he went to a large hardware store and asked to see the best plane they had. "They wouldn't even put it on the counter. I think they assumed I wouldn't know how to work it," he told us. "The one I bought, I'm scared to fool around with. I would never recommend that anyone buy expensive tools right off."

Whether it's expensive or moderately priced, a Japanese plane, in knowing hands, can be a real joy to use. Explains Nancy Hurwitz of the Japan Woodworker: "Because the quality of the steel is so high, and you can adjust it so fine, you get shavings you can see through."

RAZOR-SHARP SAWS ARE FRAGILE, TOO

The Japanese laminate a layer of high-carbon, hard steel to a layer of softer, low-carbon steel for their plane blades. In doing so, we were told, the softer layer absorbs shock; the hard layer affords a sharp, long-lasting edge. Saws are different, however.

According to *shokunin* and author Toshio Ōdate, the pulling stroke used with the Japanese saw doesn't allow the blade to bow. Therefore, it can be of thin, crisp, high-carbon

Continued

steel. Since the steel is very hard, the teeth can be filed to razor sharpness—and they stay sharp.

In practice, we observed a thin-bladed Japanese saw slice through a cedar post in seconds and another much like it used to fashion fine dados and rabbets in ½" stock. How can this be? Hurwitz likens the use of the thin blade to a piece of grass. "You can pull a blade of grass through anything," she says, "but you can't push it."

Saws may be the most practical of Japanese tools for the home woodshop, and among them, the *dozuki* ranks as a useful, sensible choice. Similar to a backsaw, its blade, though extremely thin, is less likely to break than those of other Japanese saws. That's because its back has a steel reinforcing spine.

CHISELS THAT STAY REALLY SHARP

Of all Japanese tools, chisels differ least from their western counterparts in use, but they still draw raves.

Harrison Stanley, a professional woodworker from Groton, Mass., oddly enough uses Japanese tools to craft Early American furniture repro-

ductions. About chisels he says: "The steel they use means that I only have to sharpen mine once a week—and even then they don't really need it." Here again, the key to their sharpness lies in the use of the layered high- and low-carbon steel.

HOW TO BUY HIGH-QUALITY JAPANESE TOOLS AND STILL KEEP RICE IN YOUR BOWL

Some converts to Japanese tools get infatuated right away. Connorton, for example, bought \$1,500 worth of them in a day. Unbelievably, though, some folks have paid that much or more for a single saw, a plane, or a couple of chisels. One saw in the Mahogany Masterpiece line lists for \$12,000!

That saw, crafted by a master artisan, is more a one-of-a-kind collector's item than a tool. Yet, saws priced by both The Japan Woodworker and Mahogany Masterpieces at \$650 and up are meant to be used, and used hard. Do you have to spend that much for a useful tool? Happily, the answer is not at all.

At The Japan Woodworker, Damsen

and Hurwitz say a \$26 saw will last through 30 years of weekend woodworking. But after using your first saw for a few years, you might want to move up to a \$60 model. "In quality," explains Damsen, "the difference between a \$60 saw and one at \$120 might only be 15 to 20 percent." But, they both add, some people buy \$650 saws, \$400 planes, and \$40 chisels for the same reason they buy cars that go 130 m.p.h., even though the speed limit is 55.

Major takes a slightly different stand. "There's a price level that I would never go below. In saws, that range is about \$40. In chisels, it's three for \$40. A small plane would be about \$50, and a full-size plane not less than \$75. "But," he says, "if somebody makes a big investment in cash and meets it with an investment in time, he's much better off than someone who bought a cheap tool as an experiment."

Assessing this advice, it appears as though you can buy Japanese tools of high quality and still keep rice in your bowl. But no matter what you spend,



Working backward, above. Japanese saws like this *ryoba* cut on the pull stroke with their thin, brittle blades. But sawing goes fast.

Chisels are chisels, above right. Except for their sharpness, there's little difference in using Japanese chisels. Here, a plane block is finely shaped.

Planing, Japanese style, lower right. Matthew Connorton, a Newburyport, Mass., woodworker, sets the workpiece on a slanting planing beam, then pulls the plane toward him. Note the paper-thin shavings the plane produces.



how can you be sure you received the quality you paid for?

BUYMANSHIP ADVICE: WHAT YOU SEE MAY NOT BE WHAT YOU GET

Most Japanese tools sold in the United States are marketed through catalogs. But Major, who produces a striking four-color tool catalog, says you can't always rely on photographs. "In a photograph," he says, "the Japanese saw that costs \$30 looks identical to one that costs \$12,000." And Damsen says that some saws with top-of-the-line price tags would not be good buys at half the price. "If you buy them," he advises, "you'll be paying as much for the handle as the blade."

So where does that leave you when it comes time to buy and try some Japanese hand tools? Author Odate, in his book, suggests that because the trade in these tools is still so young and there's so much to know about them, American buyers must depend on those who sell tools to offer quality choices. It may not be a case of "buyer beware," but buying from someone you can trust helps to insure that your money will be well spent. If it's possible, you may also want to try the tools first. If you order by mail, look for a "satisfaction guaranteed or your money refunded" statement.

Both retailers agree that tools should be given a hands-on test in the store before you buy, trying different grades of the same tool. Being informed

helps, too. Major publishes a newsletter jam-packed with information about Japanese tools and sponsors a seminar each summer. Damsen provides helpful information in his catalog, and at his store, but advises the next best thing to handling and using the tools first is a phone call to the seller. "Talk to them. That's the best way to tell what you're likely to get," he says.

WHERE TO GET MORE INFORMATION

For a newsletter about Japanese tools, a catalog and seminar information, write: Mahogany Masterpieces, RFD 1, Wing Rd., Suncook, NH 03275. For a tool catalog, write: Woodline, The Japan Woodworker, 1731 Clement Ave., Alameda, CA 94501.

SPEAKING THE LANGUAGE

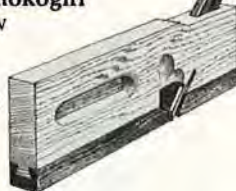
smooth as fine sanding.

Most Japanese planes have one blade that does the cutting and a chipbreaking second "blade," adopted from the West, which reduces tearout. Planes give you a variety of choices, for different purposes and of varying sizes. They can cut flat surfaces, grooves, rabbets, dovetails, and decorative moldings.



Mawashibiki nokogiri
or keyhole saw

Mentori kanna
or molding plane



Koguchi
or carpenter's hammer

Hammers, or *tsuchi*, in Japan, like hammers in the West, pound nails. Some even look like ours. Others are far more ornate than anything in a western toolbox. One type, shaped like a mallet, has no claw and is named *ryokoguchi*. Its head is flat on one end and convex on the other. The flat face drives the nail in until the second-to-last stroke. Then, the hammer is turned over and the convex face taps the head of the nail below the surface.

Japanese gimlets, called *kiri*, of various sizes, drill holes for pegs by rolling them between the palms. Western drills work much faster.

An array of Japanese measuring tools—framing squares, rulers, marking gauges, and compasses—is available. They differ little from western versions, except for the *sumitsubo*.

A symbol of the shokunin, the *sumitsubo* has remained more ornate than necessary through the centuries. It looks less like a tool and more like an antique whale oil lamp, and does little that a western chalk line cannot do.

A bowl carved into the *sumitsubo*'s wooden body holds ink and a silk wad. A wheel with a crank shrouds a long silk line, which is drawn through the inky silk. In use, the line stretches tightly from one end of the work to the other, and is held in place with a pin. To mark, the line is snapped to produce a straight line as you would do with a chalkline. Held at an angle, while firmly attached to the wood at both ends, the line can be snapped to form a curve.

To learn more about Japanese woodworking tools, read: ●Japanese Woodworking Tools: Their Tradition, Spirit and Use, by Toshio Odate, The Taunton Press, Newton, Conn., 1984, \$27.95; ●Japanese Woodworking Tools: Selection, Care and Use, by Henry Lanz, Sterling Publishing Co., New York, N.Y., \$12.95. ♣

Written with Greg Erickson
Photographs: Hopkins Associates;
Greg Erickson



The *sumitsubo*, above, is the symbol of the Japanese woodworking craftsman.

Japanese saws fall into two main categories: *kabata*, with teeth on only one side of the blade, and *ryoba-noko*, which have teeth on both sides. Some *kabata* saws rip only; others do cross-cuts. The *ryoba* saws, depending on which set of teeth is used, make both.

Blades of *azabiki* saws are short and rounded. The curved blade allows you to start cuts in the center of a board, and it can make large curving cuts.

Kugihiki saws have teeth on just one edge of a very flexible blade. They're used to cut off the excess of wooden pegs flush with the work.

Japanese keyhole saws, or *mawashibiki-nokogiri*, look much like western versions, but their blades are so thin they actually can cut keyholes.

Some saws have interchangeable blades. If you break a saw tooth—a relatively common experience for novices—you can remove the damaged blade and insert a new one.

Sandpaper, to a Japanese woodworker, is a rare commodity. Their planes, called *kanna*, play a leading role in finishing, and they make surfaces as

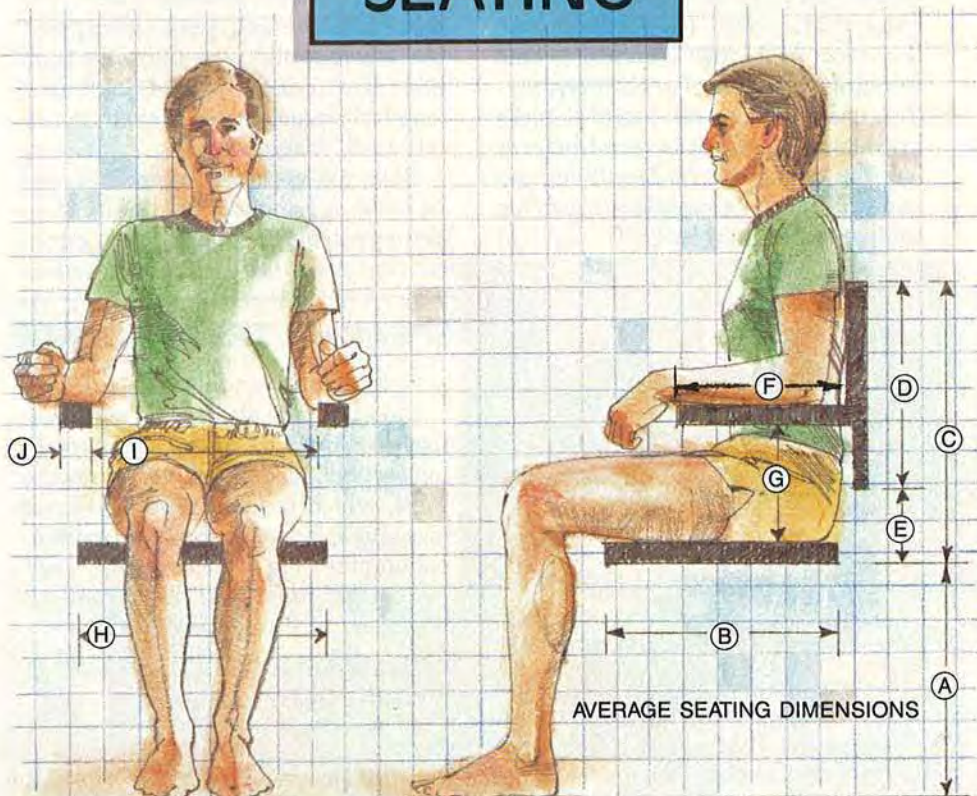
WOODWORKERS' STANDARDS

SEATING

It's no accident that standard kitchen countertop height is 36", that 5/4 lumber measures 1 1/16" thick when dried and surfaced, and that the correct backrest angle for dining ranges from 0° to 5° to the rear. These and a host of other standards have been established over the years by the furniture and wood industries, and by designers.

Unfortunately for most home woodworking hobbyists, much of this vital information isn't readily available in easy-to-understand form. We're out to change that! In this and upcoming issues, we're going to summarize this data for you. We'll start with Seating and Tables this time, then cover standards for Shelving and Cabinets, Casework, the Workshop itself, Beds, and so forth. We think you'll find this series of articles a valuable reference tool as you pursue your hobby.

Louis Sullivan once said that, "Form follows function," and this design principle holds especially true in seating. Before considering form—that is, style, scale (or how it relates in size to its surroundings), wood species, or joinery techniques—you must consider comfortable support of the human body.



AVERAGE SEATING DIMENSIONS

AVERAGE SEATING DIMENSIONS

The design of a comfortable chair depends on the size and shape of the person it's intended to support. So use the dimensions listed at right only as what they are intended to be—guidelines. You may need to adjust them slightly for your situation, and that's fine.

SEATING ANGLES

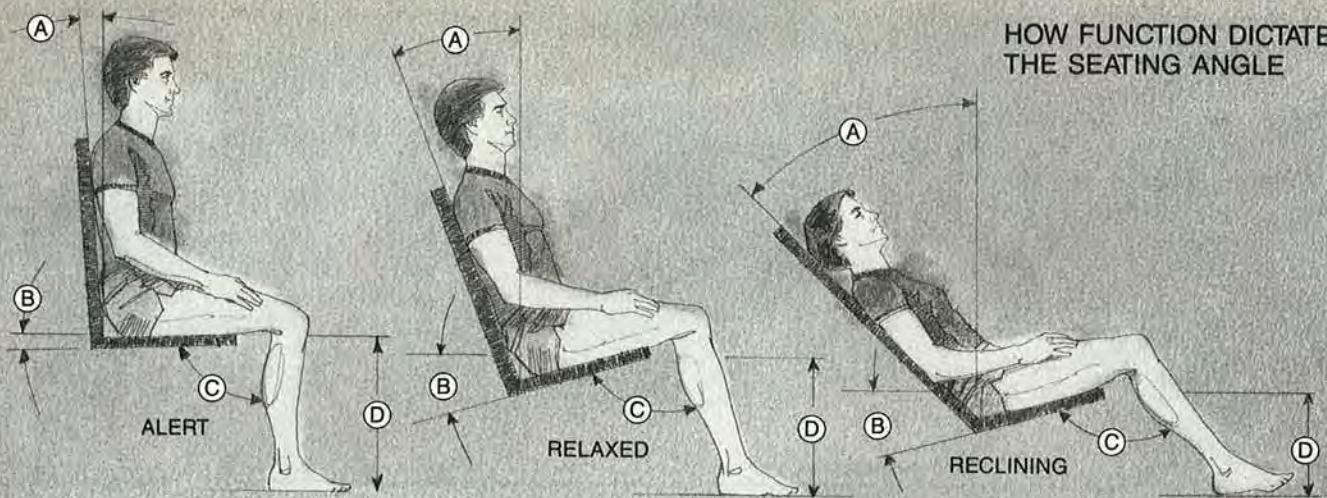
You've no doubt noticed that the angle of seating varies from one type of seating to another. Here again, it's function that dictates. We've categorized all seating into three groupings: Alert, Relaxed, and Reclining. In the box at the top of the opposite page, we discuss how these postures govern the angles that are right for a given piece of furniture.

AVERAGE DIMENSIONS*		ADULT	9 yrs.	7 yrs.	5 yrs.
A	Seat height	16 3/4"	12 3/4"	11 1/2"	10 1/2"
B	Seat depth	15 1/2"	11 3/4"	10 3/4"	9 3/4"
C	Backrest height	15"	11"	10 1/4"	9 3/4"
D	Backrest	12"	5 3/8"	5 1/8"	5"
E	Seat to backrest	3" min.	5 5/8"	5 1/8"	4 3/4"
F	Armrest length	8 3/8" min.	6"	6"	6"
G	Armrest height	8"	6 5/8"	6 1/8"	5 3/4"
H	Seat width	16–20"	13"	12"	11"
I	Armrest spacing	18 1/2" min.	14"	13"	12"
J	Armrest width	2" average for all ages			
K	Backrest width	16–18"	11" min. for 9 thru 5		

*All dimensions are for alert posture (dining, writing, etc.). Adult dimensions are for the average American male. Seating designed for the typical American female should be downsized somewhat.

If you use cushions, adjust the dimensions so they are correct when the cushion is compressed by the weight of the occupant. As a rule of thumb, you can deduct half the cushion thickness from the seat height (A).

HOW FUNCTION DICTATES THE SEATING ANGLE



ALERT: dining, writing

- Quite often, the back of the chair runs straight up and down (0°), but it may have a back angle up to 5° to the rear (A).
- Generally, you'll want the back of the seat lower than the front edge. In the instance above, the angle measures 5° ; this is fairly typical (B).
- The seat height (C) determines the knee bend angle (D). For dining, the knee bend angle is normally 90° , with an average seat height of $16\frac{3}{4}''$.

RELAXED: conversation, TV, reading

- To lean back and relax, you want to factor in a back angle (A) of between 10° to 30° .
- With the back angled this way, you have to angle the seat upward slightly to keep a person from sliding out of the chair. The seat angle (B) ranges from 5° to 10° .
- You always want the knee bend angle (C) to be between 90° and 100° . To accomplish this in the example above, you need to decrease the seat height (D) from the standard $16\frac{3}{4}''$ to $15\frac{1}{2}''$, which moves the heel forward.

RECLINING: lounging, resting

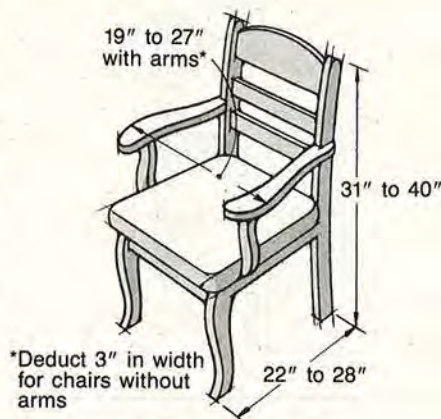
- Back angle (A) varies considerably from piece to piece, but never exceeds 55° to the rear. When it's greater than 30° , you have to provide support for the head. To do this, increase the distance from the seat to the top of the back to at least $32''$.
- The seat angle (B) ranges from 10° to 15° for lounging purposes.
- You want the knee angle to be from 100° to 120° . We accomplished this above by decreasing the seat height to $14''$. This again moves the heel forward.

TYPICAL SEATING TYPES

DINING CHAIR

When entertaining, many people consider the dining table the center of activity. So you want to plan as much comfort into dining chairs as possible. Seat cushions help ensure a comfortable stay. We think that a simple foam cushion on plywood makes good sense in most situations. Figure on a $2''$ cushion being about average.

- The seat height of most dining chairs measures about $16\frac{3}{4}''$, includ-



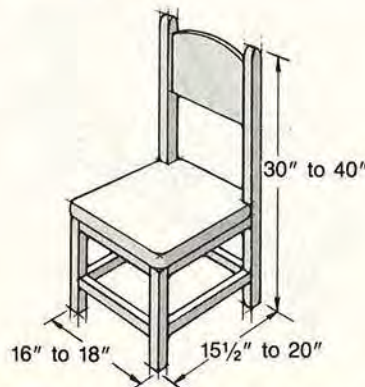
ing the compressed height of the seat cushion.

- Armrests on a dining chair add to the comfort factor, too. Most designers plan on a maximum arm height above the seat of $8''$. But don't forget about the apron height of the table you're planning to use the chair with. You want to make sure the arms will slide under the apron. In any event, you wouldn't want the armrest height less than $6''$.

DINETTE CHAIR

Compared to dining chairs, dinette chairs are often smaller in scale, mainly because of the limited size of most areas they occupy.

- Normal seat height averages $16\frac{3}{4}''$ and that includes the height of the seat cushion, if used.
- The overall depth of the chair may be as little as $15\frac{1}{2}''$ up to a maximum of $20''$. And the width ranges from $16''$ to $18''$, depending



on the style of chair being constructed.

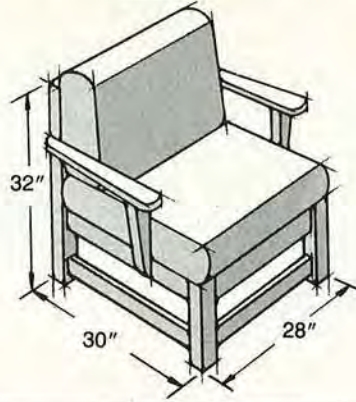
- The style of furniture largely dictates the back height. A low-slung Padova chair, for example, has a back height of only $13\frac{1}{2}''$ above the seat, but a ladder-back chair may be as high as $23\frac{1}{2}''$.

Continued

EASY CHAIR

Chairs designed for relaxing typically have a lower seat height than those for dining or study. The seat tips back to a greater degree front to back, and the seat back angle increases, too.

- Seat height averages 16" and angles front to back at about 10°.
- With easy chairs, the seat cushion may be quite thick, so be sure to allow for cushion compression when figuring seat height.
- Because the seat is low and an-



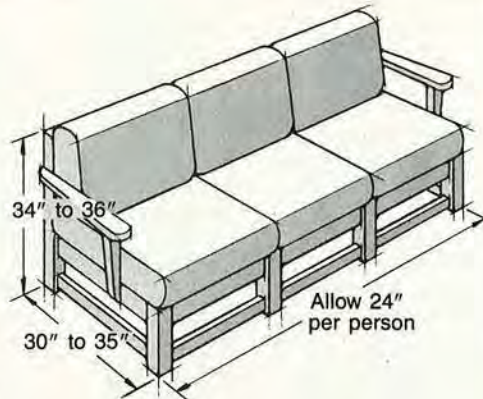
gled back, armrests aid in getting into and out of the chair. Typically, they rise 5 to 8" above the seat and measure between 2" and 4" wide.

- This chair's seat back, angled back about 10°, rises 15" above the cushion. Some high-back wing chairs, though, have backs as high as 33".

SOFA

To provide the comfort desirable in sofas, you should figure on the seat height being about 15½" and having it angle to the rear at from 5 to 12°. If the cushions you're using are thick and soft, you can count on cushion compression to create an angle of about 5°. But with firmer ones, you'll want to build the desired angle into the frame.

- Seat depth varies, depending on the thickness of the back cushions,



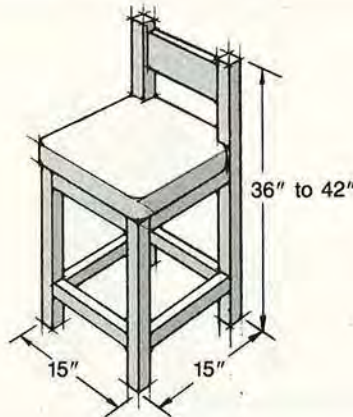
but 18" to 22" is a good place to start.

- The back, typically 17" above seat height, usually angles back at least slightly, but can do so up to 25°.
- The armrests most often rise up from 4" to 8" above the highest point of the seat cushion.
- In figuring the width of a sofa, allow 24" per person, plus 4" to 6" for each armrest.

BAR STOOL

A bar stool, obviously, must fit the bar with which it's used. Average bar height runs from 40" to 44". Whatever its height, you want the seat to be from 12" to 15" below the top surface of the bar, but never higher than 30".

- Bar stools average about 16" to 18" square, or 16 to 17" in diameter if you go with a round seat.
- Overall dimensions at the base rarely exceed 18" square.
- The top of the seat back normal-



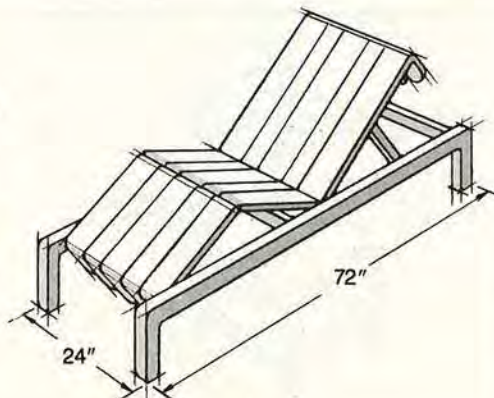
ly is 11" or 12" above the cushion. And since people tend to lean forward when sitting in a bar stool, be sure to leave at least 3" between the bottom of the back and the top of the seat for the person to expand into.

- And don't forget to provide for a place to hang your heels. A rung 20" below the top of the seat works nicely for this.

OUTDOOR LOUNGE

Three elements combine to create the overall length of 72"—the leg rest, seat, and backrest. The leg rest measures 22" long and is designed to support the leg from the knee down. It raises along with the seat, creating a knee-bend angle of 120°.

- Seat depth averages 17" and can be inclined up to 10°.
- Backrest height typically measures 33". You can adjust its angle backward from 45° to the flat bench position. ♣



Please see page 61 for another 3-page section of Woodworkers' Standards dealing with Tables. You'll learn how to choose a style and a support system, how dining style affects table size, and more.

WOOD

I N D E X

Issue 1
Sept.-Oct., 1984



Issue 2
Nov.-Dec., 1984



Issue 3
Jan.-Feb., 1985



Issue 4
April, 1985*



Issue 5
June, 1985



Issue 6
Aug., 1985



Issue 7
Oct., 1985



Issue 8
Dec., 1985

Cumulative index for issues 1-8

If you're saving back issues of *WOOD* for future reference—and many of you have kindly taken the time to write and tell us that you are—you'll want to save this index. Pull it out and keep it handy in your shop. We've kept things simple for your convenience. For example, the subject of "hearing protection" is listed as 7:59, 88. That means you'll find the article in Issue 7 beginning on page 59 and continued on page 88. Because projects are such a popular category, we decided to highlight them in a "mini-index" on page 59 for even quicker reference.



A-C

Abrasives:

container for, 2:25
finishing, 2:35

Angle indicators, 3:24; 4:80

Apron, heavy-duty, 6:18

Arbor nut, 8:12

Associations:

Early American Industries, 4:24-25
International Wood Collectors,
2:121

Marquetry Soc. of America, 7:34

National Carvers Museum, 8:93

National Wood Carvers, 5:16

Ward Foundation, 3:111

Woodworking Assn. of N.A., 6:20

Band-sawing:

bowl, laminated, 3:69

boxes, 6:26-29

resawing, 7:47

Bar, home, 2:64

Barstools, breakfast, 6:66-67

Bending, *see* Laminated wood
bending

Bentwood:

globe stand, 1:60

oak coat tree, 8:42-43

sled, 8:44-49

Binder, magazine, 5:69-70

drilling jig, 4:67

Bins, wall, 5:13

Birch, 7:37

Bits:

cleaning, 1:27

drill holder, 3:107

spade, modifying, 8:16

straightener, 3:32

titanium-nitride, 6:19

router: beginner's guide, 2:123

choices of, 8:50-51

panel-raising, 5:45

Black & Decker Mfg. Co., 8:104

Blades:

dado, 3:77-78, 102

tested, 3:79-81

saber-saw, sharpening, 3:36

slot, zero-clearance, 2:28

Boats, toy, 6:58-61

Bowls:

laminated ring vessels, 3:69;
5:28-31

stave, 7:60

Boxes:

band-sawn, 6:26-29

clone, 6:44-45

jewelry, 8:53

laminated, 7:61

onlaid, 1:61

padauk, 2:84-85

playing card, 2:80

tissue cover, 4:50, 77

Bracelets, designer, 1:74-76

lathe mandrel for, 1:75

Braces, 3:58, 119

Brushes:

cleaners, 4:79

excess, 3:42

cleaning, 7:27

storage: airtight, 1:27

in contact cement, 4:16

Bud vase, 6:40-41

Butt hinges, setting, 7:22

Buymanship:

belt sanders, portable, 2:57-60

dado blades, 3:77-78, 102

doweling jigs, 1:109, 111

hardware, 3:53-54

jigsaws, 5:32-35

lathes, wood, 6:68-72, 74

routers, 1:56-59

sanders, palm-grip, 7:74-77

screws, new-generation, 6:84, 87

scroll saws, 8:54-59

table of, 8:56

table saws, 4:55-58, 74

tool kit, basic, 3:10, 12, 14

Cabinets:

construction: basic, 3:59-66

mistakes, common, 3:116

desk, 3:74-76, 104

frames, twist prevention, 5:78

glides, protective, 5:80

lumber for, 2:66-67, 94-95

panels, raised, 5:43-49

router bits for, 5:45

Cabinets (cont'd.)

stereo, 2:104, 105

stereo component unit, 3:70-73

stereo speaker, 2:69-72, 92

Camphorwood, 8:91

Candle holders, 2:111

Canoe, redwood strip, 6:48

Card box, 2:80

Carob, 5:88

Cars, toy, with carrying case, 2:78

Carving:

catalpa wood, 3:68-69

chess pieces, 1:61

mountain man, 6:49

Scandinavian-style figures, 4:70-72

horse, 4:73-74

tools, basic, 7:42-43

Center finder, 4:79

Chairs:

outdoor, 5:58-61

Chaise lounge, 5:61-63

Cherry, 4:27

Children's items:

bears, 8:70

boats, 6:58-61

cars, with carrying case, 2:78

crib, 2:65

doll furniture: cradle, 2:108, 111

desk, 7:73

high chair, 2:108, 111; 7:71-72

swing, 7:70-71

heirloom toys, 2:41-44

jeep, toy, 8:64-65

picnic table, 5:56-57

racer, 8:53

safe, 3:55-56, 112-113

sled, 8:44-49

truck with cars, 2:81

wagon, 1:78-83

Christmas ornaments, 2:86-87

"The Christmas Wagon," 8:78-79

Clamps:

bench, 2:36

"C," quick-locking, 2:35

care of, 5:76; 6:14

clips, protective, 8:20

gluing, 1:87

Clamps (cont'd.)

miter blocks, 1:29

pads, 1:24

rack, 3:107

small, 7:28

spring miter, 1:30

Clapboards, splitting (riving), 2:76, 90

Clocks:

Bill Hopkins, 7:38-41

1800s, mantel, replica, 1:61

7:39, 41

kit, 2:73

wall, 2:64; 4:68

wall, feathered, 3:69

Coat tree, laminated oak, 8:42-43

Coffee tables, 1:43, 50-52, 60-61;

7:78-81; 8:52

Computer center, 2:64-65

Computer/dresser, 8:52

Coping saw, homemade, 2:74-75

Corners, gluing, 8:14

Cradle, doll's, 2:108, 111

Craftsman Close-ups:

band-saw boxes: Richard

Rothbard, 6:26-29

clocks: Bill Hopkins, 7:38-41

figure carving: Harley Refsal,

4:70-74

heirloom toys: Steve Baldwin,

2:41-43

laminated ring vessels: Robert

St. Pierre, 5:28-31

psalteries: Unicorn Strings,

8:30-33

split-oak baskets: Don Yarger,

3:45-48

treeware: Roger Sandstrom,

1:70-73

Crib, child's, 2:65

Cupboard, Shaker-style, 4:59-65

Curves, truing, 1:27

Cutting boards:

six classy, 1:43-49

whale, 2:105

Cutting small pieces, 6:12

Cutting toy wheels, 8:18

Compiled by Richard Mudrow



Workbench group.
Issue 4, p. 38



Lawn furniture.
Issue 5, p. 58



Acorn clock.
Issue 7, p. 38



Table saws.
Issue 4, p. 55

D-F

- Dado blades, 3:77-78, 102
 - angle cutting, 6:83
 - tested, 3:79-81
- Danish-oil finish, 3:121
- Dents, raising, 3:32
- Desks:
 - computer center, 2:64-65
 - computer/dresser, 8:52
 - for dolls, 7:73
 - home office, 1:60; 3:74-76, 104
 - rolltop, 7:61
- Desk set, laminated, 8:66-69
- Dispenser, tape, 3:38
- Doll furniture:
 - cradle, 2:108, 111
 - desk, 7:73
 - high chair, 2:108, 111; 7:71-72
 - swing, 7:70-71
- Dovetail gauge, brass, 6:17
- Dowels:
 - jigs, 1:109, 111
 - storage, 7:22
 - and tenons, cutters for, 4:79
 - trimming jig, 3:41
- Dresser/computer, 8:52
- Drills and drilling:
 - binder drilling jig, 4:67
 - bits: holder, 3:107
 - spade, modifying, 8:16
 - straightener, 3:32
 - guide for round stock, 4:11
 - hole depth control, 1:24
 - press: sharpening with, 3:42
 - stand, 3:90
- Dry sink (kit), 1:8
- Dulcimer, 7:60
- Duplicating pieces, 2:26
- Dust:
 - masks/respirators, 6:47, 78
 - trap, 5:74
- Edge-joining, 1:37-42
- Electric wiring, 8:82-83, 85, 87-88
- Epoxy glue, 8:60-61, 77
- Fasteners, small, sorting, 7:22
- Feather board, improved, 6:63-64
- Fences:
 - auxiliary, 6:65
 - check for accuracy, 5:76
 - extension/stock support, 8:10
 - thin stock, 1:23
 - universal jig, 2:68
- Fences, Colonial Williamsburg, 5:66-68
- Finishes: finishing and refinishing:
 - clear, choosing, 3:82-84, 121
 - Danish oil, 3:121
 - even application of, 3:38
 - fuzz removal, 6:15
 - jig, 3:36
 - lacquer, 3:83
 - latex, 3:83
 - linseed oil, 3:83, 121
 - nontoxic, 3:121
 - oil, 3:83, 84, 121; 5:65
 - oil/varnish mixtures, 3:121

Finishes (cont'd.)

- outdoor, 5:64-65
- paste wax, 5:65
- penetrating, kinds of, 3:83, 121
- protection from screwdrivers, 1:24
- rejuvenating old finishes, 4:66
- shellac, 3:83
- stain: outdoor, 5:65
 - paste varnish and, 1:99, 101
 - testing, 7:22
- stripping finish from irregular shapes, 4:16
- surface, kinds of, 3:83
- tung oil, 3:83
- varnish: natural, 3:83
 - oil mixture, 3:121
 - paste, 3:83
 - spar, 5:65
 - and stain, paste, 1:99, 101
 - storage: collapsible, 1:29
 - no-skin, 4:12
 - synthetic, 3:83
 - water repellent, 5:65
- Fire safety, 2:119
- First aid, 2:22-23
- Found wood, 7:66-68
- Frames:
 - mirror, arched, 2:113
 - mirror, cheval, 3:85-87
 - photograph, 6:49
 - picture, 2:52-56
 - twist prevention, 5:78
- Framing, hand:
 - beams, 3:58
 - bracing, 3:58, 119
 - joints, 3:58

G-I

- Gauges:
 - fingers as, 1:30
 - marking, homemade, 1:62-63
 - miter, 5:15
 - extension, 6:62
 - step, 5:12
- Globe stand, bentwood, 1:60
- Glue and gluing:
 - see also *Clamps*
 - choosing, 7:106-109
 - corners, 8:14
 - epoxy, 8:60-61, 77
 - grain repair, 3:36
 - injecting, 3:41
 - injector, 7:28
 - joints, breaking, 6:12
 - scraper, 5:12
 - screws, with epoxy, 6:14
 - squeeze-out, 1:113-115
 - removing, 4:10
 - with toothpicks, 8:10
- Grain repair, 3:36
- Hall table, 4:28-31
- Hallway shelf, 7:62-65
- Hand tools:
 - caliper rule, 3:22
 - clamps: bench, 2:36
 - "C," quick-locking, 2:35

Hand tools (cont'd.)

- clips, protective, 8:20
- gluing, 1:87
- miter blocks, 1:29
- pads, 1:24
- rack, 3:107
- small, 7:28
- spring miter, 1:30
- coping saw, homemade, 2:74-75
- dovetail gauge, brass, 6:17
- doweling jigs, 1:109, 111
- gauges: fingers as, 1:30
- marking, homemade, 1:62-63
- miter, 5:15
- step, 5:12
- honing guide, 5:12
- bevel, 6:17
- levels: homemade, 5:40-41
- no-bubble, 3:24
- mallets, 3:21
- woodworker's, 8:34-35
- plane, Stanley no. 1, 1:76
- sanders, block: oversize, 7:24
- pliable, 4:11
- wedge, 1:93
- saws: Disston "London Spring," 3:100
 - German, 1:93
 - Japanese, 2:88
- spindle turning, 6:79
- threader, wood, 2:37
- try square, 2:35
- Hardware:
 - sorting, 7:22
 - specialty, 3:53-54
- Hearing protection, 7:59, 88
- High chair, doll, 2:108, 111; 7:71-72
- Hinges, butt, setting, 7:22
- Hinges, cabinet, 3:53-54
- Hole saw, carbide-tipped, 6:18
- Homemade tools:
 - coping saw, 2:74-75
 - glue joint breaker, 6:12
 - level, 5:40-41
 - mallets, woodworker's, 8:34-35
 - marking gauge, 1:62-63
 - router table, 4:32-34
 - surface sander, 7:48-53, 87
 - vises: quick-clamp end, 3:88-89
 - woodworker's, 3:89
 - workbench, 6:30-34
- Honing guide, 5:12
- bevel, 6:17
- Ivory, pink (wood), 3:99

J-M

- Jeep, toy, 8:64-65
- Jewelry:
 - box, 8:53
 - bracelets, designer, 1:74-76
 - Euro-style inlaid, 4:69
 - necklaces: walnut and brass, 8:71
 - walnut and holly, 8:52-53
 - pin, sailboat, 2:83
- Jigs:
 - belt sanding, 2:102-103

Jigs (cont'd.)

- box joint, 3:55
- cutting, small pieces, 6:12
- dowel cutting, 3:41
- finishing, 3:36
- jointer knife-setting, 4:80
- mortise-and-tenon, 1:93
- multi-feather joint, 2:93
- radial saw tool sharpener, 1:24
- resawing, 7:45
- 3-ring binder, drilling, for *WOOD Magazine*, 4:67
- universal sawing, 2:68
- Jigsaws:
 - auxiliary plate, 6:15
 - buying guide, 5:32-35
 - table of, 5:38-39
 - tested, 5:36-39, 73
 - vessels made with, 5:28-31
- Jointer knife-setting jig, 4:80
- Joints and joining:
 - see also *Glue*
 - dovetail gauge, brass, 6:17
 - edge, 1:37-42
 - framing, 3:58
 - glue joints, breaking, 6:12
 - jigs: box joint, 3:55
 - dowel cutting, 3:41
 - mortise-and-tenon, 1:93
 - multi-feather joint, 2:93
 - universal sawing, 2:68
 - The Joiner, *Old Hand Ways*, 4:54, 75
 - miter, 2:45-51, 93
- Knife-setting jig, 4:80
- Lacquer, 3:83
- Laminated bentwood sled, 8:44-49
- Laminated boxes, 7:61
- Laminated oak coat tree, 8:42-43
- Laminated ring vessels, 3:69; 5:28-31
- Laminated wood bending, 8:36-41
 - curves, 8:40
 - form making, 8:39-40
 - glue for, 8:37
 - gluing and clamping, 8:41
 - truing and trimming, 8:41
 - wood: selection, 8:37
 - strips, producing, 8:38-39
- Lamp, magnetic, 8:20
- Latex finish, 3:83
- Lathes and lathe work:
 - bud vase, 6:40-41
 - buying guidelines, 6:68-72, 74
 - faceplate lock prevention, 6:13
 - mandrel, bracelet, 1:75
 - pedestal display stand, 6:42-43, 77
 - screw center, 6:12
 - tools, 5:15
 - spindle turning, 6:79
 - The Turner, *Old Hand Ways*, 5:42, 87
 - wood turning basics, 6:35-39
- Lawn furniture, 5:58-63
- Letterwood, 7:103
- Leveling a project, how to, 6:75



Tug-a-Lug.
Issue 6, p. 61



Laminated vessel.
Issue 5, p. 28



Bentwood sled.
Issue 8, p. 44



Marking gauge.
Issue 1, p. 62

Levels:

- homemade, 5:40-41
- no-bubble, 3:24
- Library table, 5:50-54
- Linseed oil finish, 3:83, 121
- Look-alike woods, 2:96

Magazines:

- binder, 5:69-70
- drilling jig, 4:67
- rack, 7:56-58
- Mahogany, 5:27
- Mailbox, 6:48
- Mallets, 3:21
- woodworkers' homemade, 8:34-35
- Manzanita, 7:68
- Maple, 3:49

Marking gauges:

- fingers as, 1:30
- homemade, 1:62-63
- Material transporting, 3:123
- Metal tool tops, cleaning, 5:74

Mirrors:

- arched, 2:113
- cheval, 3:85-87
- Miter blocks, 1:29
- Miter gauge, 5:15
- extension, 6:62
- Miter joints, 2:45-51, 93
- Miter spring clamps, 1:30
- Mortise-and-tenon jig, 1:93

N-P

Nails and nailing:

- hiding, 5:78
- small nails, 6:12
- magnetic pickup, 7:27
- split prevention, 2:28
- Napkin ring/place mat set, 7:54-55

Necklaces:

- walnut and brass, 8:71
- walnut and holly, 8:52-53

Noise control, 2:38

Oak, 1:77

- split baskets, 3:45-48
- Oil finishes, 3:83, 84, 121; 5:65
- The Old Hand Ways (Roy Underhill):
- The Carpenter (framing), 3:58, 119
- The Cooper (barrelmaking), 7:93-94
- The Joiner, 4:54, 75
- The Pioneer—Part 1 (logs), 1:68-69, 84
- The Pioneer—Part 2 (splitting shingles and clapboards), 2:76, 90
- The Turner (latheworking), 5:42, 87
- The Wheelwright, 6:46, 76

Outdoor furniture:

- chairs, 5:58-63
- finishes, 5:64-65
- picnic table, child's, 5:56-57
- redwood patio table, 6:50-54
- Padauk box, 2:84-85
- Paint thinner, recycling, 4:11
- Palm-grip sanders, 7:74-77

- Panel, raised, basics, 5:43-49
- Paper-towel holder, 2:82
- Paste varnish and stain, 1:99, 101
- Patio table, redwood, 6:50-54
- Pattern transfer to dark wood, 8:10
- Paulownia, 6:81
- Pecan, 8:29
- Pedestal display stand, 6:42-43, 77
- PEG (polyethylene glycol 1000), 6:19
- Pernambuco, 2:101
- Picture frames, 2:52-56
- Pink ivory (wood), 3:99
- Pins (brooches), sailboat, 2:83
- Place mat/napkin ring set, 7:54-55
- Planes and planing, 4:54, 75
- joinery, 4:54, 75
- jointer, 2:65
- low spots, 5:82
- Stanley no. 1, 1:76
- Playing card box, 2:80
- Plywood:
- hardwood, 6:55-57
- judging face sides, 7:104-105
- patching knotholes, 7:24
- Polyethylene glycol 1000 (PEG), 6:19

Power tools:

- cushion, 1:87
- discussed, 1:12, 14, 94
- lathes, buying guidelines, 6:68-72, 74
- table of, 6:70
- mortise-and-tenon jig, 1:93
- palm-grip sanders, 7:74-77
- ring maker, power, 1:88
- routers: bits, guide to, 2:123
- bits, choices of, 8:50-51
- buying guidelines, 1:56-59
- mortise-and-tenon jig, 1:93
- panel-raising systems, 5:45
- router table, 4:32-34
- tested, 1:53-55
- safety tips, 1:10
- first aid, 2:22-23
- sanders: belt, buying guidelines, 2:57-60
- belt, tested, 2:61-63
- drum, sleeveless, 2:36
- finishing, 1:87
- palm-grip, 7:74-77
- surface, homemade, 7:48-53, 87
- saws, See Saws
- screw center, lathe, 6:12
- screwdriver, rechargeable cordless, 3:22
- Psalteries, 8:30-33
- Pulls, wooden, 3:50-52

R-S

- Radio, 7:82-84, 90
- Raised-panel construction, 5:43-49
- router bits for, 5:45
- Redwood, 6:25
- Redwood patio table, 6:50-54
- Resawing:
- band saw, 7:47
- Resawing (cont'd.)
- guide, 6:64-65
- table saw, 7:44-46
- Respirators/dust masks, 6:47, 78
- Ring maker, power, 1:88
- Rip guide for thin stock, 1:23
- Routers:
- bits: beginner's guide, 2:123
- choices of, 8:50-51
- cleaning, 1:27
- panel-raising systems, 5:45
- buying guidelines, 1:56-59
- cutting small pieces, 6:12
- mortise-and-tenon jig, 1:93
- table, 4:32-34
- tested, 1:53-55
- Rust remover, 1:93
- Safety:
- dust masks/respirators, 6:47, 78
- fire, 2:119
- first aid, 2:22-23
- hearing protection, 7:59, 88
- tools, 1:10
- wiring, 8:82-83, 85, 87-88

PROJECTS

- barstools, breakfast, 6:66-67
- bears, 8:70
- boats, toy, 6:58-61
- boxes: clone, 6:44-45
- padauk, 2:84-85
- playing card, 2:80
- tissue cover, 4:50, 77
- bracelets, designer, 1:74-76
- cabinets: desk, 3:74-76, 104
- stereo, 2:104, 105
- stereo component unit, 3:70-73
- stereo speakers, 2:69-72, 92
- candle holders, 2:111
- cars, toy, with carrying case, 2:78
- clamp rack, 3:107
- coat tree, laminated oak, 8:42-43
- coping saw, 2:74-75
- cupboard, Shaker-style, 4:59-65
- cutting boards: six class, 1:43-49
- whale, 2:105
- desk set, 8:66-69
- drill bit holder, 3:107
- drill press stand, 3:90
- furniture, doll, 7:69-73
- cradle, 2:108, 111
- high chair, 2:108, 111; 7:71-72
- school desk, 7:73
- swing, 7:70-71
- furniture, lawn, 5:58-63
- guide, resawing/thin strip ripping, 6:64-65
- jeep, toy, 8:64-65
- jigs: belt sanding, 2:102-103
- multi-feather joint, 2:93
- 3-ring binder, drill, 4:67
- level, 5:40-41
- magazine rack, woven wood, 7:56-58
- mallet, woodworker's homemade, 8:34-35
- marking gauge, 1:62-63
- mirrors: arched, 2:113
- cheval, 3:85-87
- miter gauge extension, 6:62
- paper towel holder, 2:82
- pedestal display stand, 6:42-43, 77
- picture frames, five fun, 2:52-56
- place mat/napkin ring set, 7:54-55
- pulls, wooden, 3:50-52
- radio/tape player, 7:82-84, 90
- rip fence, auxiliary, 6:65
- router table, 4:32-34
- safe, child's, 3:55-56, 112-113
- sailboat pins (brooches), 2:83
- sander, surface, 7:48-53, 87
- sawhorses, 6:82-83
- server, flip-up, 2:108
- shelf, hallway, 7:62-65
- sled, laminated bentwood, 8:44-49
- snack tray, zebra wood, 8:62-63
- spice rack with containers, 2:79
- tables: coffee, 1:43, 50-52
- oak, 7:78-81
- hall, traditional, 4:28-31
- library, 5:50-54
- patio, redwood, 6:50-54
- Pembroke, 2:104-105
- picnic, child's, 5:56-57
- waterfall, 4:51-53
- trivet, 2:104-105
- truck with cars, 2:81
- TV cart, roll-around, 1:64-67
- vase, bud, 6:40-41
- vises, 3:88-89
- wagon, child's, 1:78-83
- wall hanging, 8:72-73
- wine glass rack, 2:104-105
- workbenches, 6:30-34
- modular group, 4:38-44
- work support, 6:62-63



Turning tools.
Issue 6, p. 35



Magazine binder.
Issue 5, p. 69

Lathes.
Issue 6, p. 68



Sawhorses, 6:82-83
cushioned, 7:22

Saws and sawing:
band-sawn boxes, 6:26-29
coping, homemade, 2:74-75
dovetail guide, brass, 6:17
hand: coping, homemade,
2:74-75
Disston "London Spring," 3:100
German, 1:93
Japanese, 2:88
hole, carbide-tipped, 6:18
jigs: box joint, 3:55
multi-feather joint, 2:93
for narrow stock (zero-clearance
slot), 2:28
resawing, 7:45
universal, 2:68
jigsaws: auxiliary plate, 6:15
buying guidelines, 5:32-35
table of, 5:38-39
tested, 5:36-39, 73
miter stop, 8:12
radial, tool sharpening jig, 1:24
resawing: band saw, 7:47
guide, 6:64-65
table saw, 7:44-46
saber, sawing large pieces, 8:16
saber, touch-up sharpening, 3:36
scroll, constant-tension, 8:54-59, 74
C-arm, 8:59
comparison chart, 8:56
parallel arm saws, 8:58
pivot clamps, 8:57-58
vs: rigid-arm design, 8:55
splines, stopped, 7:57
table: blade-height gauges, 1:23
blades, dado, and accessories,
3:77-81, 102
buymanship, 4:55-58
cutoff for short blocks, 6:62
cutting small pieces, 6:12
feather board, "improved,"
6:63-64
miter gauge extension, 6:62
resawing/thin strip ripper
guide, 6:64-65
rip fence, 1:23; 2:68; 5:76; 6:65
tune-up, 2:8, 10, 17, 19-20
work support, 6:62-63

Scrapers, 5:15
glue, 5:12
sharpening, 4:12

Scratches:
concealing, 4:66
raising, 3:32

Screw center, lathe, 6:12

Screw diggers, 8:23

Screwdrivers:
Phillips tip, sharpening, 5:80
rechargeable cordless, 3:22

Screws:
gluing with epoxy, 6:14
new-generation, 6:84, 87

Scroll saws, 8:54-59, 74
comparison chart, 8:56

Server, flip-up, 2:108

Shaker-style cupboard, 4:59-65

Sharpening:
with drill press, 3:42
Japanese waterstone, 8:18
Phillips screwdriver, 5:80
saber-saw blades, 3:36
scrapers, 4:12
Surform blades, 6:13

Shelf, hallway, 7:62-65

Shellac, 3:83

Sled, bentwood, 8:44-49

Snack tray, zebrawood, 8:62-63

Speaker cabinets, stereo, 2:69-72, 92
component units, 3:70-73

Spice rack with containers, 2:79

Spindle sanding, 8:10

Spindle turning tools, 6:79

Spline, stopped, 7:57

Splits, preventing, 2:28

Sprayer nozzle maintenance, 6:12

Staining, *see Finishes*

Stave bowls, 7:60

Step gauge, 5:12

Stereo cabinets, 2:104, 105
component units, 3:70-73
speakers, 2:69-72, 92

Stock division, equal parts, 2:26

Stool, routed, 6:49

Stripping irregular shapes, 4:16

Surface sander, 7:48-53, 87

Surform blade sharpening, 6:13

T-Z

Tables:
coffee, 1:43, 50-52; 7:78-81
gaming, 2:65
hall, traditional, 4:28-31
library, 5:50-54
patio, redwood, 6:50-54
Pembroke, 2:104, 105
picnic, child's, 5:56-57
router, 4:32-34
waterfall, 4:51-53

Tape player/radio, 7:82-84, 90

Techniques:
bending laminated wood, 8:36-41
cabinet construction, 3:59-66
common mistakes, 3:116
dado cutting, compound angle,
6:83
miter joints, 2:45-51, 93
panel construction, raised, 5:43-49

Techniques (*cont'd.*)
spline, stopped, 7:57
veneering basics, 4:45-49
wood turning, 6:35-39

Thinner, recycling, 4:11

Threaded inserts, 3:21

Threader, wood, 2:37

Tissue-box cover, 4:50

Tool kit, basic, 3:10, 12, 14

Tools:
see also Hand tools; Power tools
collecting: Disston "London
Spring" saw, 3:100
Stanley no. 1 plane, 1:76
woodworking machinery,
4:35-37
homemade tools: coping saw,
2:74-75
glue joint breaker, 6:12
level, 5:40-41
mallets, woodworking, 8:34-35
marking gauge, 1:62-63
router table, 4:32-34
surface sander, 7:48-53, 87
vises, 3:88-89
workbench, 6:30-34
safety tips, 1:10
first aid, 2:22-23
tops, metal, cleaning, 5:74

Towel holder, 2:82

Toys, *see Children's items*

Transporting materials, 3:123

Tray, zebrawood snack, 8:62-63

Treenware, 1:70-73

Trees, felling, 1:68-69

Trivet, 2:105

Truck, toy, with cars, 2:81

Try square, 2:35

Tung-oil finish, 3:83

Turning:
basics of, 6:35-39
bud vase, 6:40-41
pedestal display stand, 6:42-48, 77
tools, 5:15
spindle turning, 6:79

TV cart, roll-around, 1:64-67

Vase, bud, 6:40-41

Veneering, 4:45-49

Vessels:
laminated: band-sawn, 3:69
jigsaw, 5:28-31

Vises:
end, quick-clamp, 3:88-89
woodworker's, 3:89

Wagon, child's 1:78-83

Wall hanging, 8:72-73

Walnut, 2:77

Waterfall table, 4:51-53

Wine glass rack, 2:104, 105

Wiring, workshop, 8:82-83, 85, 87-88

Wood:
buying by mail, 3:92, 94-95, 97
costs, 8:104
found, 7:66-68
laminated, bending, *see Laminated wood bending*
look-alikes, 2:96
pattern transfer to, 8:10
plywood: hardwood, 6:55-57
judging face sides, 7:104-105
patching knotholes, 7:24
selecting cabinet-quality,
2:66-67, 94-95
threaded inserts, 3:21
threader, 2:37
veneering, 4:45-49

Wood lathes, *see Lathes*

Wood species:
birch 7:37
camphorwood, 8:91
carob, 5:88
cherry, 4:27
letterwood, 7:103
mahogany, 5:27
manzanita, 7:68
maple, 3:49
oak, 1:77
paulownia, 6:81
pecan, 8:29
pernambuco, 2:101
pink ivory, 3:99
redwood, 6:25
saguaro, 4:83
walnut, 2:77

Woodworking:
clubs, 1:106-107
machinery, antique, 4:35-37

Workbenches, 2:37; 6:30-34
modular group, 4:38-44
bench/cabinet, 4:39-41
drawer bridge and roll-around
unit, 4:44
multi-tool storage unit, 4:42
scrap bin/storage unit, 4:43
vises: end, quick-clamp, 3:88-89
woodworker's, 3:89

Workshop:
dust trap, 5:74
home, planning of, 1:21-22
safety: dust masks/respirators,
6:47, 78
fire, 2:119
first aid, 2:22-23
hearing protection, 7:59, 88
pencil pusher, 8:10
tools, 1:10
wiring, 8:82-83, 85, 87-88

Zebrawood snack tray, 8:62-63

WOODWORKERS & STANDARDS

TABLES

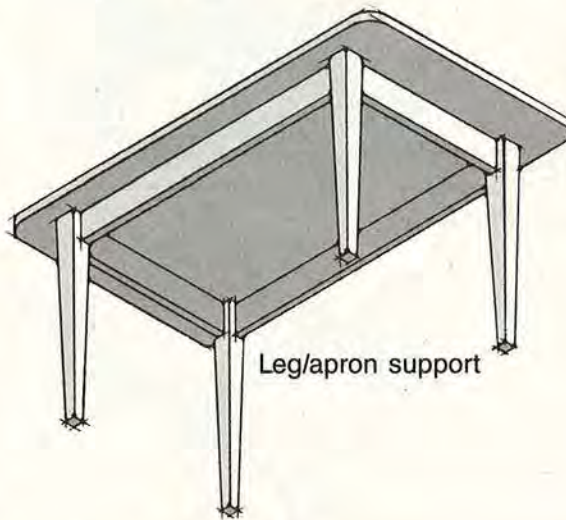
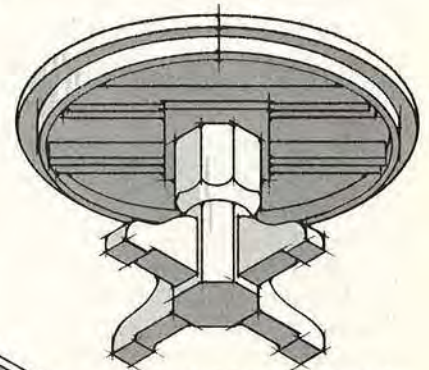
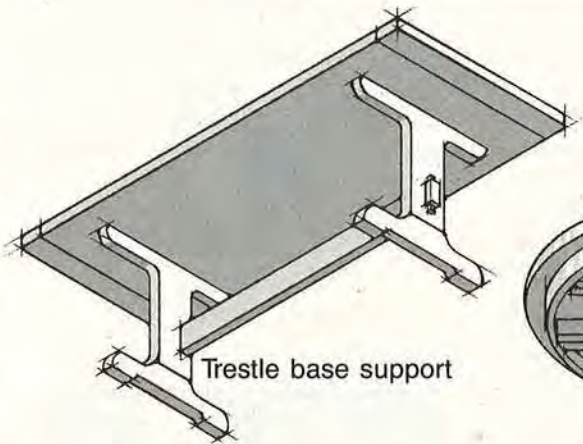
CHOOSING A STYLE AND A SUPPORT SYSTEM

When you set out to design a table, you already know what function you want it to serve. But you also need to select a style that will complement the other furnishings in your home. If you're unsure about which style to choose, stop by some furniture showrooms and browse a bit. Be sure to take along a pad of paper, a pencil, and a tape measure so you can record overall dimensions.

Also take a look at how the table you like is supported. The drawing at right gives you a preview of your options. *Leg/apron-supported tables*, the most popular traditional type, depend on a well-constructed leg/apron assembly for their stability.

Trestle-base tables, a favorite of Early American craftsmen, have two end legs with spread feet connected by a center support member that's usually near floor level. The support structure usually goes together with "through mortise-and-tenon" joints, and are held secure with a wedge, which you can remove for easy disassembly.

The framework beneath *pedestal-base tables* can take several shapes. Some have a single pedestal with four feet at the base. Others have two smaller pedestals that connect to a split base. And a more contemporary version features a single cylinder without legs.



THE RELATIONSHIP BETWEEN TABLES AND CHAIRS

Any time you pull a chair up to a table or desk, the two must be sized correctly or you won't be comfortable. Keep these pointers in mind as you are designing:

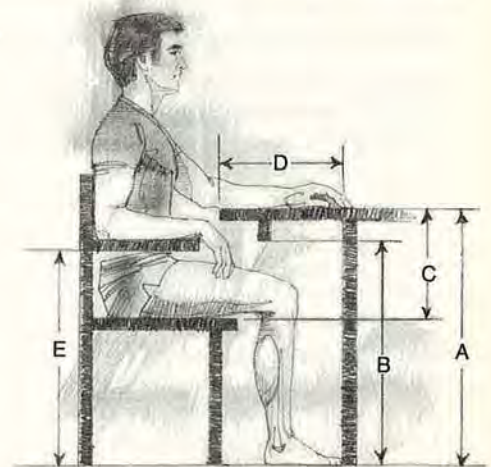
- Most dining tables and study desks have a height (A) of 29".
- The average American male needs a leg space of 25" from the floor to the apron bottom (B).
- Keep the top of the chair seat about 12" to 13" below the top surface of the table (C). Be sure to figure in cushion compression (half

the cushion thickness) if you use one.

● If possible, plan a 24" foot space (D) between the edge of the table and the support assembly. With pedestal tables, 18" is all you can get and still have a sturdy surface.

● Make sure the armrest height (E) allows you to slide the chair in under the apron of the table.

● When designing juvenile furniture, plan on a tabletop height of 22½" for 9 year-olds, 21½" for 7 year-olds, and 20" for 5 year-olds. And keep the top of the chair seat about 10" below that.



Continued

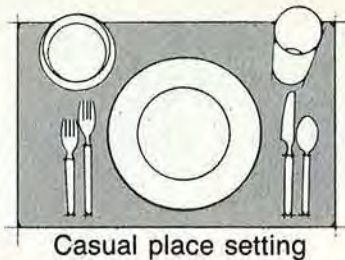
STYLE OF ENTERTAINING AFFECTS DINING TABLE SIZE

You've all been in dining situations where it seemed that you couldn't make a move without knocking into someone else's elbow or leave the table without having to ask someone to move their chair. These and other space problems can be solved while the table is still on the drawing board.

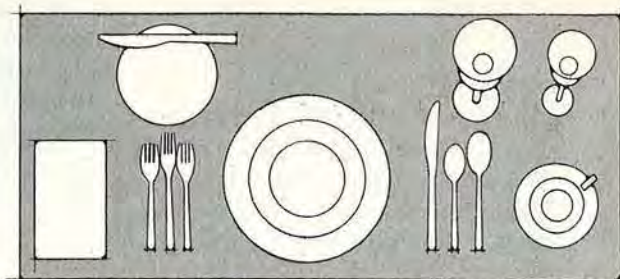
The drawing at right shows how your style of entertaining impacts directly on the space needed to accommodate a group for a meal. Casual dining requires less space, mainly because of the lesser amount of dinnerware used.

When determining the width and length of dining tables, keep these factors in mind:

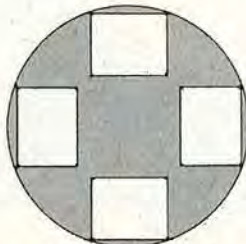
- Allow a 12" by 24" space for each casual place setting. For formal tables, figure 15" by 28" each.
- Figure in a space of 12" wide and as long as possible to serve as a serving space.



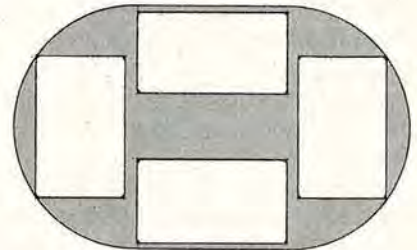
Casual place setting



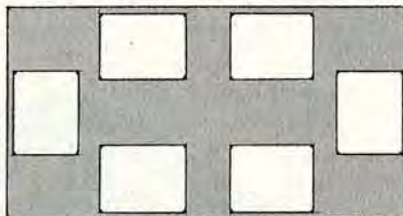
Formal place setting



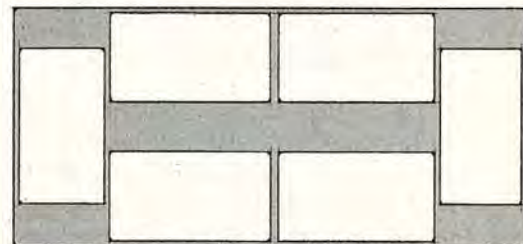
Casual round



Formal round



Casual rectangular



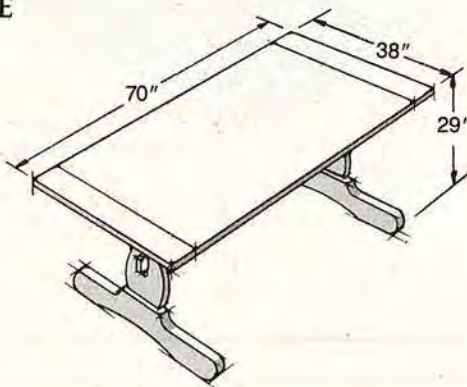
Formal rectangular

TYPICAL TABLE TYPES

RECTANGULAR TRESTLE TABLE

Trestle-design tables have been a favorite of designers for centuries. They're rugged, practical, and fit in well with Early American and country furnishings.

- Make sure that you position the legs at least 18" in from the ends of the table to provide adequate foot space for the host and hostess.
- The table shown here, a typical example, measures 38" wide, 70" long, and 29" high. Though not

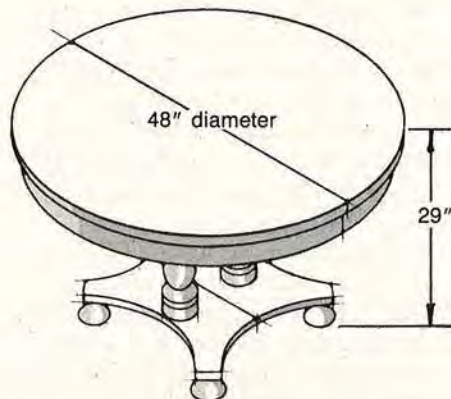


many trestle tables extend, on this one, the ends pull out and accept up to two 15" leaves for a total length of 100".

ROUND PEDESTAL DINING TABLE (extension type)

This table measures 48" in diameter and can extend up to 78". As the tabletop is pulled apart, the pedestal comes apart. This type of table affords you more strength and stability when extended than one with a single base.

- When designing the base, be sure to allow for foot space. Notice how the cutouts between the feet of this table provide adequate clearance.



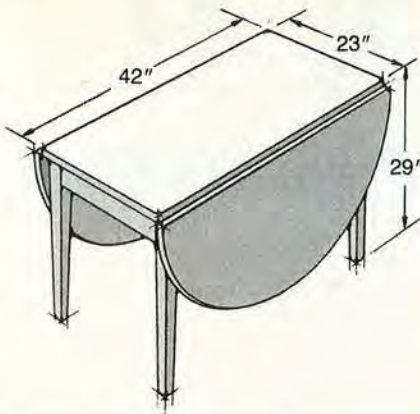
- Another type of pedestal table, the cylinder-base table, typically measures 48" in diameter with an 18" base, which allows for leg room and sufficient stability. You can add sand to the base, if desired.

DROPLEAF EXTENSION TABLE

This style of table continues to be popular, and ease of use and their space-conserving nature could be the reasons why. These tables function especially well in areas too small for other more bulky options. And they adapt quite nicely to use as either a dining table or a coffee table.

- This table measures 23" wide and 42" long with the leaves down, but with the leaves up it measures 42" in length.

- Drop-leaf tables such as the one

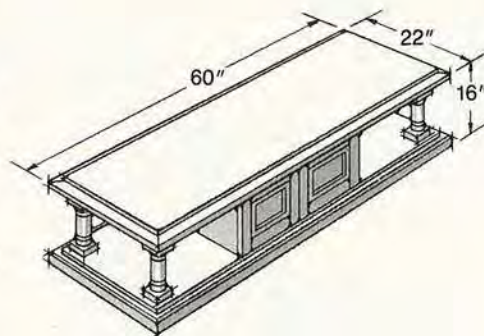


shown here are supported at each corner by a leg/apron support structure that provides exceptional stability.

COFFEE TABLE

Though the shapes and sizes of these tables vary considerably, height remains fairly constant at between 16" and 17". It should approximate the height of the sofa seat, perhaps an inch or two taller. This table measures 22" wide, 60" long, and 16" high.

- Widths vary from 19" to 27", and lengths range from 36" to 60", depending on the length of your sofa. Figure on the coffee table being anywhere from $\frac{1}{2}$ to $\frac{2}{3}$ the



length of the sofa.

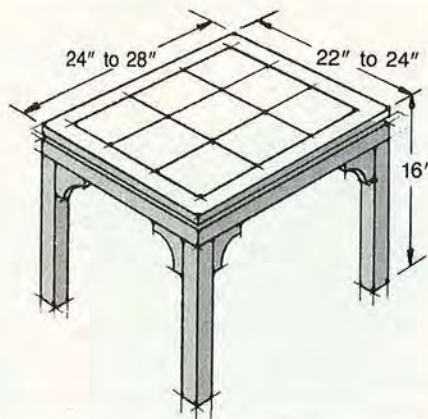
- Round and square tables range in size from 36" to 42" across.

- You may want to build in some storage or display space beneath the surface of the table, as in the example shown here.

END TABLE

For an end table to function as it should, it must be at the same height or a few inches lower than the armrest height of the sofa it sits next to. If you plan to set a lamp on the table, adjust the height so the bottom of the lampshade equals the eye height when seated.

- Most end tables are rectangular in shape and range in width from 22" to 24" and from 24" to 28" deep. Hexagonal and square tables typically measure from 24" to 28" across.



- Depending on the table support system you choose, you may be able to incorporate some storage space in the design.

SOFA TABLE

Sofa tables, those stately furniture pieces designed to sit behind a sofa, usually stand from 26" to 27" high, depending on the height of the sofa back.

- These tables' main function is to conceal the back side of sofas that are not against a wall. As a result, most often, they're quite narrow—from 14" to 17" wide.

- Sofa tables average 60" in length, again depending on the length of the sofa. Good scale calls for a sofa

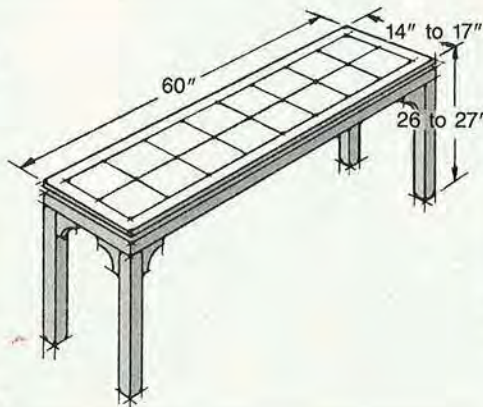


table that's approximately $\frac{2}{3}$ the length of the sofa.

As space permits in future issues, we'll include other Woodworkers' Standards articles on a variety of subjects. Watch for them! 🌳

Produced by James Downing
Illustrations: Advertising Art Studios Inc.;
Greg Roberts

YOUR TABLE

EXPANDABLE OAK DINING



IS WAITING!



TABLE SEATS UP TO 8



Been scouting for just the right table design to build for your dining area? Then look no further. Made to last, this elegant, yet sturdy, table will serve your family for years to come. Choose the natural beauty of an oak top, or opt for the added durability of laminate. Guests for dinner? No problem! Simply add a leaf... or two... or three to seat up to eight people comfortably. *P.S.* We'll show you how to build the chairs in the next issue of *WOOD*.

FORMING THE LEGS

1 To form the four legs, rip and crosscut 12 pieces (A) of 1 $\frac{1}{16}$ " stock 3 $\frac{3}{4}$ " wide by 29" long. Glue and clamp three pieces together for each leg, keeping the ends and edges as flush as possible.

2 After the glue dries, scrape off the excess and plane one of the laminated edges smooth. Set this

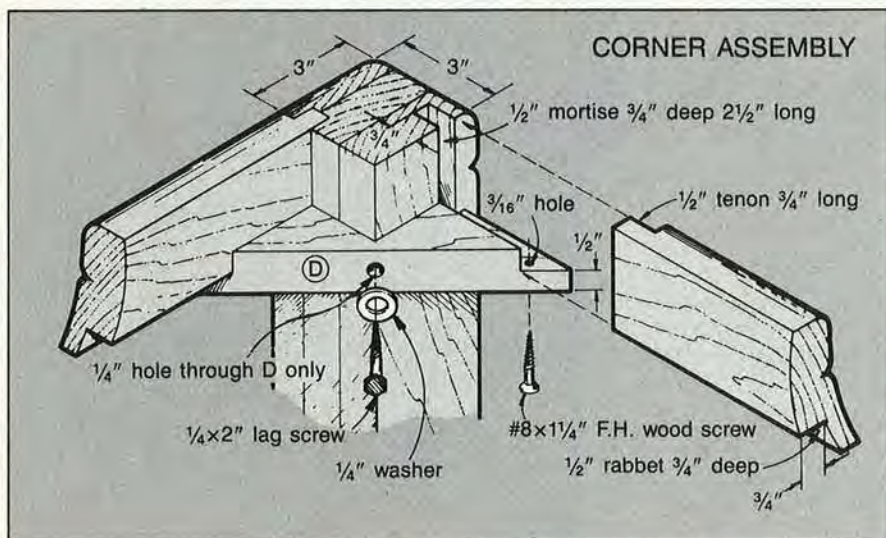
planed edge against the table saw fence and rip the leg to 3" width. Now, rip $\frac{1}{4}$ " off either adjoining edge to form a 3x3" square leg. Crosscut the legs to 27 $\frac{1}{2}$ ".

3 Lay out and mark the two mortises on one end of each leg as dimensioned in the Corner Assembly Drawing.

4 Using a drill press with a $\frac{3}{8}$ " flat-bottomed bit, drill a series of $\frac{3}{4}$ "-deep holes to remove most of

the wood from the marked mortises as shown in photo, *below left*. (We used a back fence and stop, as shown, to ensure that all mortises were consistent in size and position. We also set the stop on the drill press to make sure that all holes were drilled to the same $\frac{3}{4}$ " depth.) You will be able to drill one of the mortises in each leg with the setup shown. Move the stop block to the other side of the bit, reclamp the stop to the fence, and drill the other mortise in each leg.

5 Using a fence on the router table and a stop block clamped to the fence, rout the mortises clean with a $\frac{1}{2}$ " straight bit as shown in the photo *below*. You'll be able to rout



one mortise on each leg with the setup shown. Move and reclamp the stop block to the other side of the bit, and proceed to rout the other mortises. Using a chisel and mallet, square the rounded ends of each mortise.

BUILDING THE BASE

1 Rip and crosscut the side aprons (B) and end aprons (C) to the size listed in the Bill of Materials.

2 Rabbet the ends of each apron to form $\frac{1}{2}$ " tenons $\frac{3}{4}$ " long. (We cut ours on the radial arm saw using a

Instructions continued on page 87

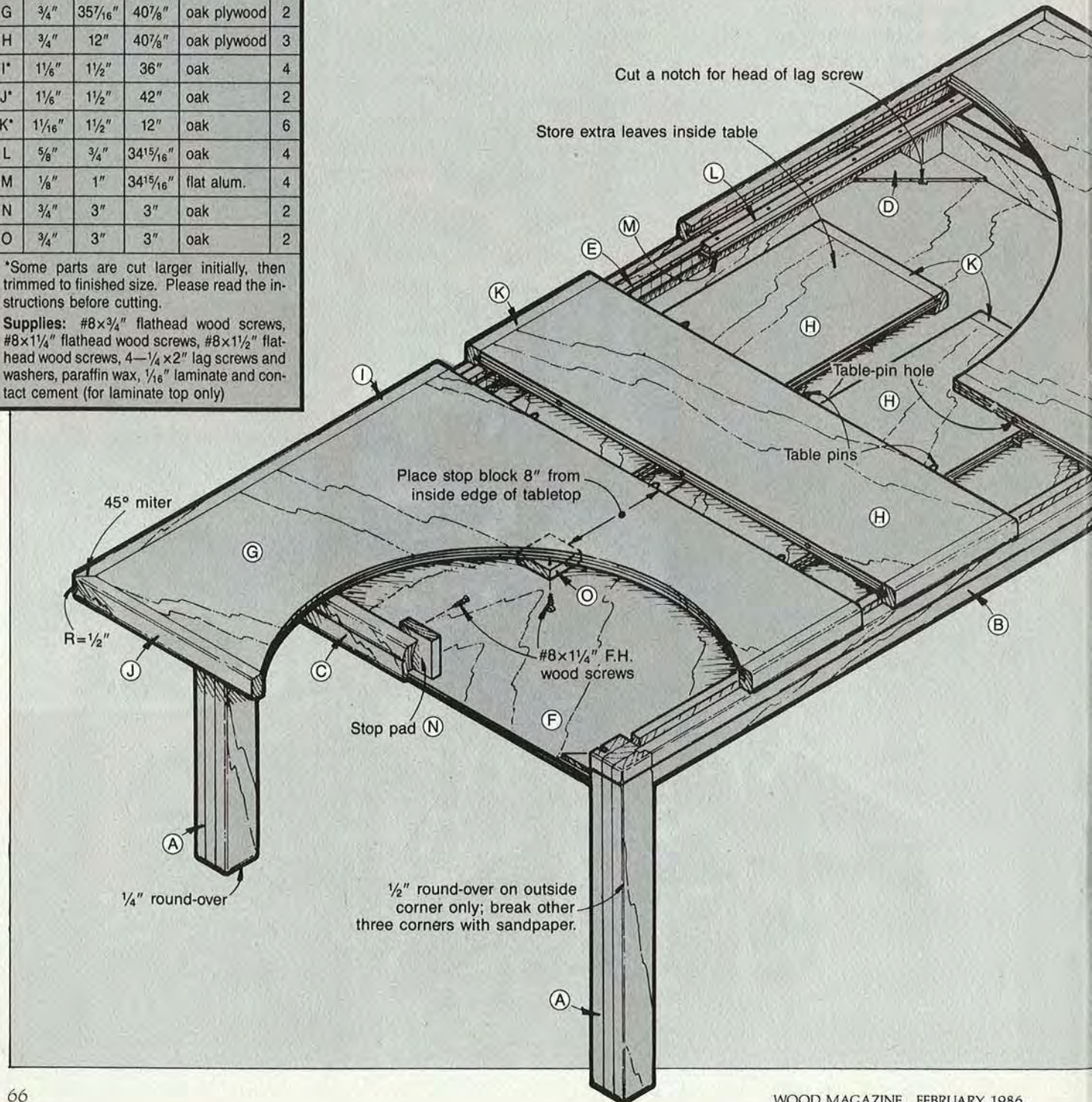
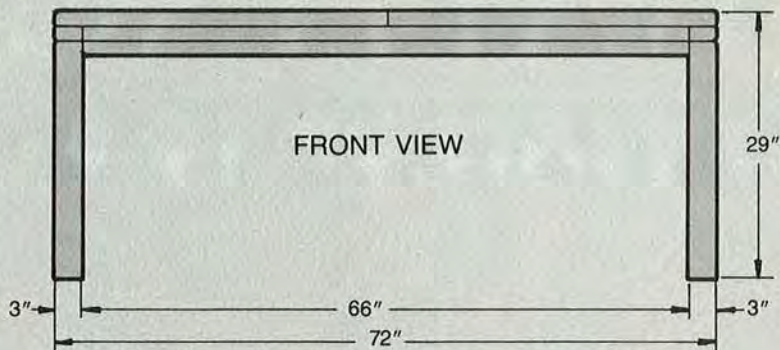
EXPANDABLE OAK DINING TABLE

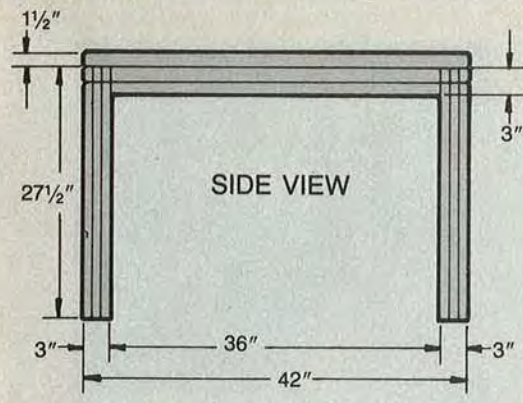
Bill of Materials

Part	Finished Size*			Material	Qty.
	T	W	L		
TABLE BASE					
A*	1 1/16"	3"	27 1/2"	oak	12
B	1 1/16"	3"	67 1/2"	oak	2
C	1 1/16"	3"	37 1/2"	oak	2
D*	1 1/16"	5"	10"	oak	4
E	1 1/16"	1 1/2"	66"	oak	2
F	1/2"	41 3/8"	71 3/8"	plywood	1
TABLETOP					
G	3/4"	35 7/16"	40 7/8"	oak plywood	2
H	3/4"	12"	40 7/8"	oak plywood	3
I*	1 1/16"	1 1/2"	36"	oak	4
J*	1 1/16"	1 1/2"	42"	oak	2
K*	1 1/16"	1 1/2"	12"	oak	6
L	5/8"	3/4"	34 15/16"	oak	4
M	1/8"	1"	34 15/16"	flat alum.	4
N	3/4"	3"	3"	oak	2
O	3/4"	3"	3"	oak	2

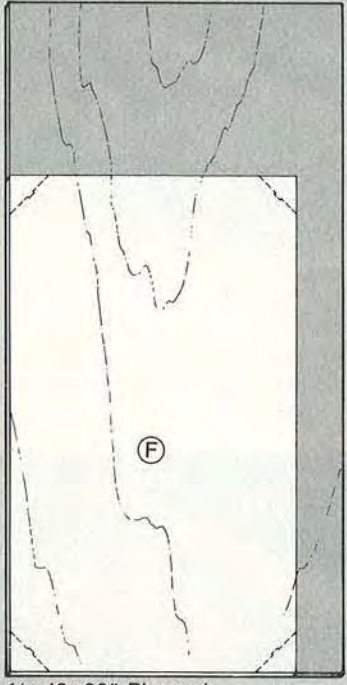
*Some parts are cut larger initially, then trimmed to finished size. Please read the instructions before cutting.

Supplies: #8x3/4" flathead wood screws, #8x1 1/4" flathead wood screws, #8x1 1/2" flathead wood screws, 4-1/4x2" lag screws and washers, paraffin wax, 1/16" laminate and contact cement (for laminate top only)

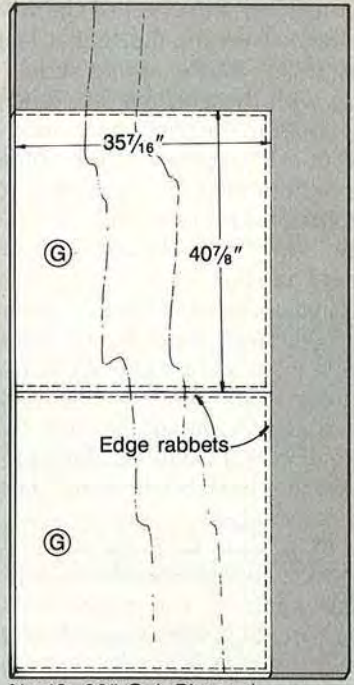




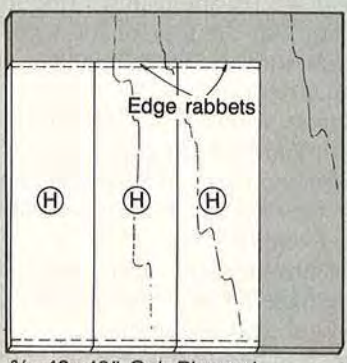
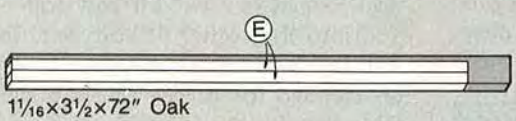
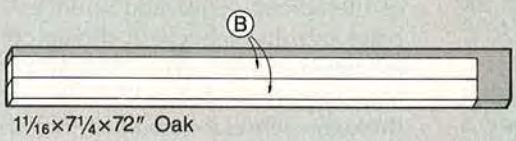
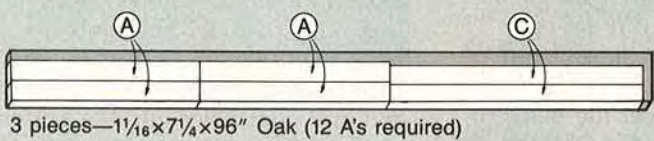
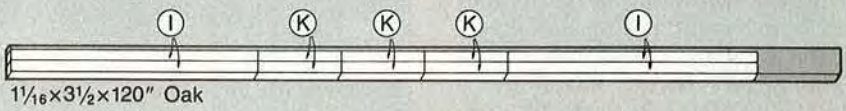
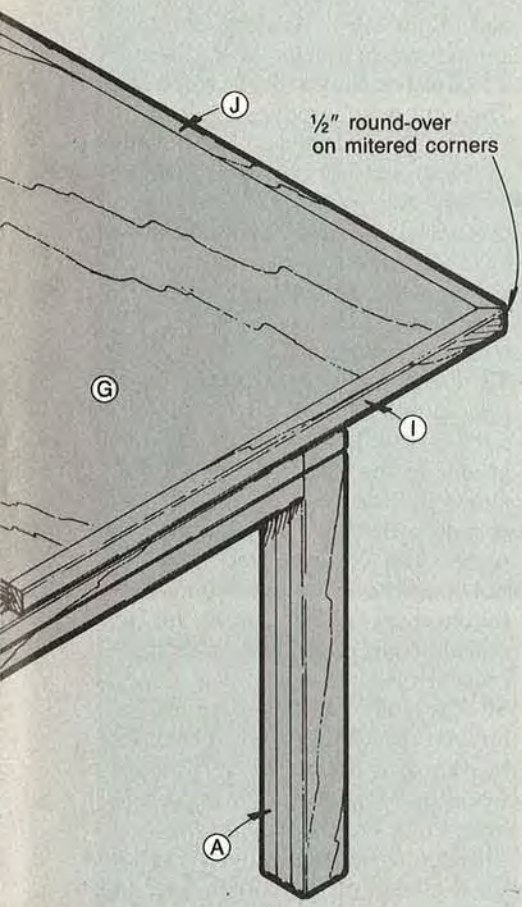
Cutting Diagram



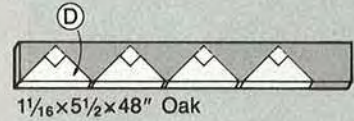
1/2 x 48 x 96" Plywood



3/4 x 48 x 96" Oak Plywood



3/4 x 48 x 48" Oak Plywood



Continued

EXPANDABLE OAK DINING TABLE

dado blade. We test-cut scrap material first and checked the fit of the tenon into the mortises.) The outside face of the aprons should be flush with those of the legs when the tenon is installed in the mortise.

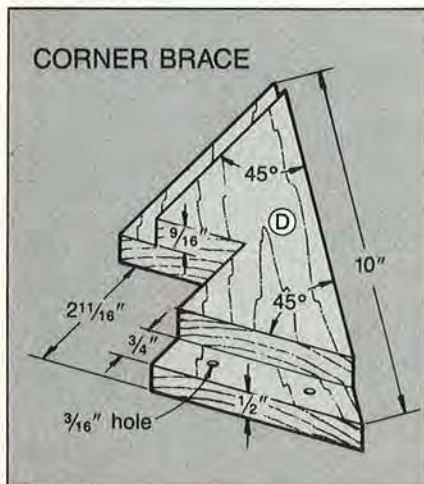
3 Cut a $\frac{1}{2}$ " rabbet $\frac{3}{4}$ " deep along the bottom edge of each apron to the size and position indicated in the Corner-Assembly and Section-View Drawings.

4 Glue and clamp the side aprons (B) to the legs, checking for square. Remove any excess glue after it forms a tough skin. After both side assemblies (A, B) are dry, join them by gluing and clamping the end aprons (C) in position, again checking for square.

Note: The table is rather fragile at this point. If you must move it around, do it with care and have a helper.

5 Cut the corner braces (D) to size plus 1" in length, noting the direction of the grain shown in the Corner-Brace Drawing, *below*, to achieve maximum strength. *Don't* cut the notch yet. (We set our radial-arm saw blade at 45° and made one cut on each of the four braces. We then reset the blade to 45° on the other side of center, set up a stop block 10" from the blade, and cut the braces to size.)

6 Using a dado blade, an auxiliary wood fence on the table saw, and a miter gauge, as shown in the photo, *top center*, cut a $\frac{3}{4}$ " rabbet $\frac{1}{16}$ " deep in one edge of each brace.



To cut the other rabbet in each brace, set the miter gauge at 45° right of center, and push the brace through the blade as shown in the photo, *below*.



7 Notch the four braces (D) to fit around the inside corners of the legs. Drill four $\frac{3}{16}$ " holes in each brace for the $\#8 \times 1\frac{1}{4}$ " screws. Hold each brace in position in the corner, and drill pilot holes into the bottom of the aprons. Glue and screw each brace into the rabbets in the apron as shown in the Corner-Assembly Drawing. Now drill a $\frac{1}{4}$ " hole through each brace and just into the leg. Switch to a $\frac{1}{16}$ " bit and drill $1\frac{1}{2}$ " into the corner of each leg. Install the $\frac{1}{4} \times 2$ " lag screws and washers through the braces and into the table legs.

8 Sand the leg-apron joints smooth, checking that the tops of the legs are flush with the top edge of each of the aprons.

9 Fit your router with a $\frac{1}{2}$ " round-over bit and rout the top edges of the base and down the outside edge of the legs (one edge only as shown in the Exploded-View Drawing).

10 Fit a router with a $\frac{1}{2}$ " point-cutting ogee bit and edge-guide fence as shown in the photo. Locate the line of cut ($1\frac{1}{2}$ " from the top edge of the aprons as indicated in the Section-View Draw-



ing). Rout the decorative groove around the perimeter of the base.

11 Cut the slide rails (E) to size. Then cut a $\frac{1}{2}$ " groove $\frac{1}{16}$ " deep in both of the slide rails. The bottom of the groove should be $\frac{1}{16}$ " from the top edge of each slide. The bottom of the groove should also sit level with the top edge of the aprons when installed later, as shown in the Section-View and Sliding-Mechanism Drawings.

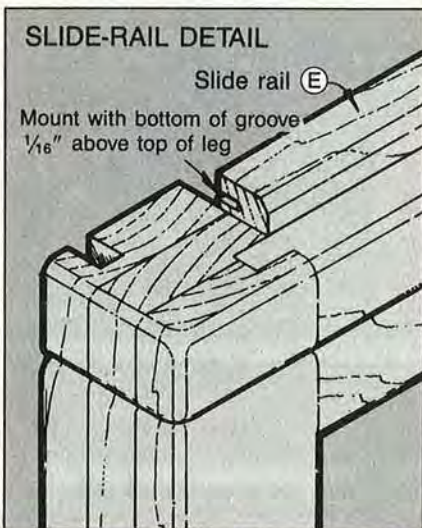
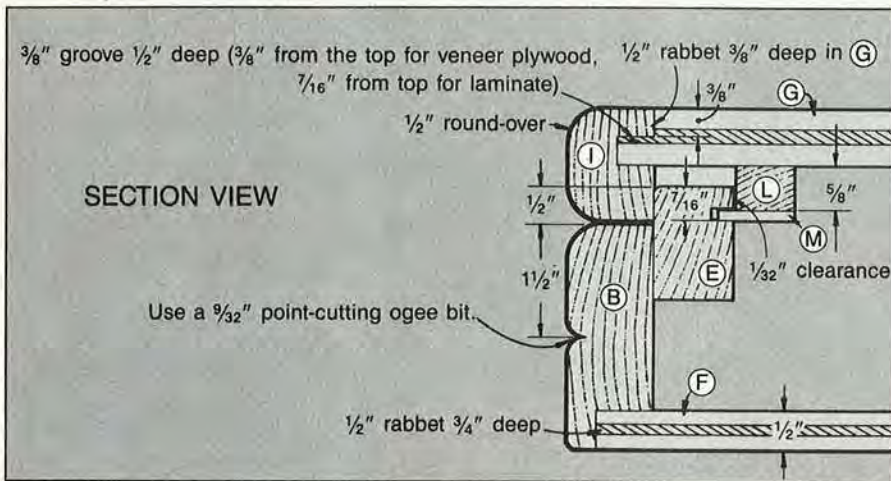
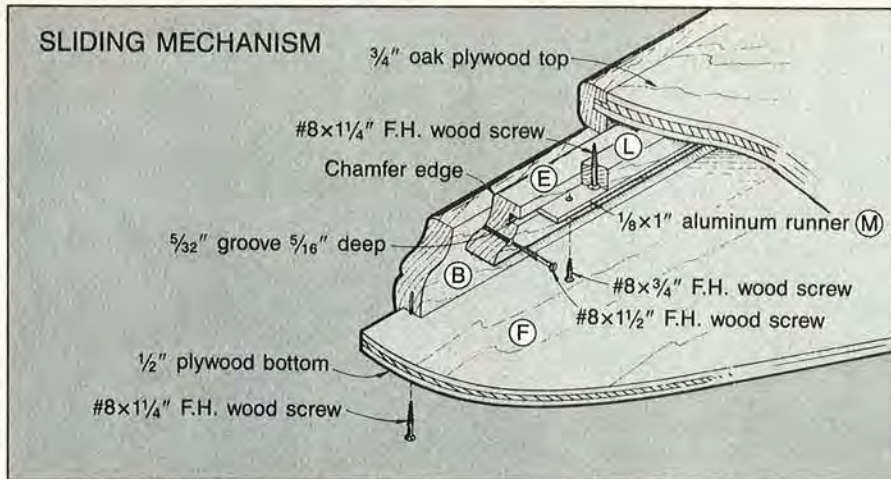
12 Fasten the slide rails (E) to the side aprons with $\#8 \times 1\frac{1}{2}$ " wood screws. The bottom of the $\frac{1}{2}$ " groove in the slide rails must be $\frac{1}{16}$ " above the top edge of the legs, as shown in the Slide-Rail Detail, *right*. This ensures clearance when installing the aluminum runners in the grooved rails. Chamfer the top outside edge of the slide rails to prevent drag later.

13 Carefully turn the base upside down. Cut the plywood panel (F) to size. Cut the corners of the plywood to accommodate the corner braces (D). You'll need to cut a small notch in each mitered corner for the head of the corner-brace lag screw. Drill pilot holes and fasten (but *don't glue*) the plywood panel to the base to test the fit. Remove the plywood panel; it will be reinstalled later.

14 With the base upside down, use a $\frac{1}{4}$ " round-over bit to rout the bottom edges of each leg. Sand the entire base assembly smooth.

BUILDING THE TOP AND LEAVES

1 Cut the plywood top panels (G) and leaves (H) to size, as indicated in the Bill of Materials and as laid out in the Cutting Diagram. It is



important to note the direction of the grain *before* cutting: The grain runs across the table, not the length of it.

2 Cut a 1/2" rabbet 3/8" deep along three edges of each top panel (G) and along both ends of each leaf

(H) to form a tongue, as shown in the Section-View Drawing and Cutting Diagram. (To reduce chip-out, we made the cross-grain cuts first, then those with the grain. We also used a feather board clamped to the fence to keep the oak veneer running flat across the blade.)

3 Rip the oak edging I, J, and K to 1 1/2", then crosscut the pieces to length plus 2".

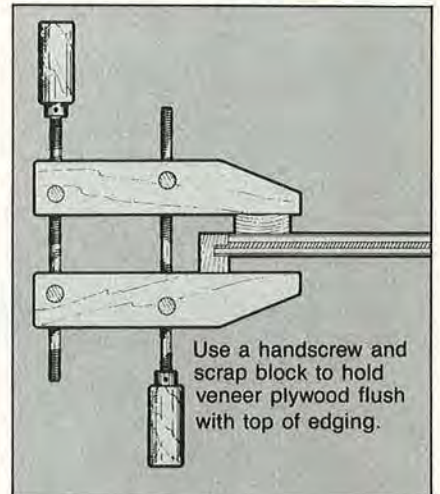
4 Cut a 3/8" groove 1/2" deep along all edging pieces (I, J, K) to accept the tongue on the plywood. Test-cut scrap material first to ensure that the edging fits over the tongue, snugly against the veneer, and, most importantly, flush with the veneer surface of the plywood top.

5 Miter-cut both ends of each J to length. Then miter the mating end of each I piece and crosscut the other ends to length.

6 Glue and clamp the edging to the panels and leaves, checking that

the miters pull tight. If the tabletop appears to be higher than the edging in spots, clamp a piece of scrap to the panel and edging, as shown in the drawing *below*.

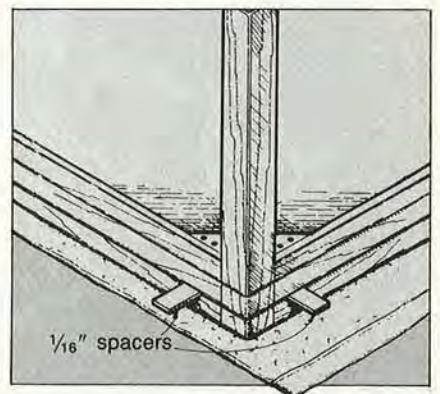
7 After the glue dries, *carefully* remove the excess, and sand or scrape the edging flush with the veneer top. (We used a cabinet scraper and were *extremely careful* not to scrape through the veneer.)



8 Using a 1/2" round-over bit, rout the outside top, bottom, and corner edges (where the miters meet) of the top sections. *Don't* rout the edges that meet when the table sections close.

MAKING IT SLIDE SMOOTH

1 Position the two tabletop panels (G) face down on a blanket spread on a flat surface (to prevent scratching). Align the halves so that they butt uniformly. Position the base (also upside down) on the panels, and place 1/16" spacers between the aprons (B, C) and the edging (I, J) as shown in the drawing, *below*. This



Continued on pg. 87

A JEWELRY BOX OF

Beautiful West African zebra wood makes this three-drawer box just as eye-catching as its contents.



Print this article

Note: You'll need some thin stock for this project. You can resaw your own or order stock. See the Buying Guide for our source.

FIRST, THE CASE

- 1 Rip and crosscut enough $\frac{1}{4}$ " stock to glue up the case top and bottom (A), sides (B), and back (C). Cut the pieces 1" longer and $\frac{1}{4}$ " wider for trimming to finished size later. Lay out and match the pieces for the best grain pattern; then glue and clamp them as shown in the Edge-Joining Drawing, below.
- 2 Scrape off the squeeze-out and sand the joints smooth. Trim the case top, bottom, and side pieces to finished size.
- 3 Use a table saw with a dado blade or a table-mounted router with a $\frac{1}{4}$ " straight bit and fence to cut $\frac{1}{4}$ " rabbets $\frac{1}{8}$ " deep on the back edge of the top and bottom panels (A). Use the same setup to cut the rabbets on the top, bottom, and back edges of the side panels (B).
- 4 Lay out and mark the position of the dadoes on the side panels (B) where indicated in the Exploded-View Drawing. Use a table saw and dado blade or a router table with a fence and a $\frac{1}{4}$ " straight bit to cut $\frac{1}{4}$ " dadoes $\frac{1}{8}$ " deep where marked on the side panels.
- 5 Cut the shelves (D) to size, then dry-fit the case assembly (A-B-D) together. Glue and clamp the case

assembly, checking it for square.

6 When the glue has dried, carefully trim the back panel (C) to fit snugly into the case assembly. Glue the back panel in place. Remove the excess glue after it forms a tough skin.

7 Using a router fitted with a $\frac{1}{4}$ " round-over bit, rout all exterior edges of the case *except* the top front edge. (Leaving the front edge square allows the drawer top to fit tightly against the case as shown in the Cutaway Side-View Drawing.)

NOW FOR THE DRAWERS

1 To make the $\frac{1}{2}$ "-thick drawer fronts (E), cut six pieces of $\frac{1}{4}$ " zebra wood to $2\frac{1}{4}$ " wide by $10\frac{1}{4}$ " long. Now, glue two pieces together for each drawer front in sandwich fashion, keeping the edges as flush as possible. You'll end up with three $\frac{1}{2}$ "-thick laminations.

2 Rip and crosscut the three laminated drawer fronts (E) to finished size (2×10 ").

Note: Because the drawers are identical in size, we constructed all three at the same time, making the cuts on all corresponding parts before changing our saw or router setup.

3 Using your table saw or router, cut a $\frac{1}{2}$ " rabbit $\frac{1}{4}$ " deep on both ends of the drawer fronts (E). Then, cut a $\frac{5}{16}$ " rabbit $\frac{1}{4}$ " deep on the top edge of each. And, finally, use a

router table with a $\frac{1}{4}$ " round-over bit to shape all the outside edges of the fronts.

4 Cut the drawer sides (F), backs (G), and bottoms (H) to size. Cut a $\frac{1}{4}$ " groove $\frac{1}{8}$ " deep and $\frac{1}{8}$ " up from the bottom edge of the fronts (E) and sides (F). Also cut a $\frac{1}{4}$ " dado $\frac{1}{8}$ " deep, $\frac{3}{4}$ " from the back of the drawer sides (F), as shown in the Exploded-View Drawing.

5 Dry-fit the drawer assemblies (E-F-G-H) to ensure a good fit, then glue and clamp them together, checking for square.

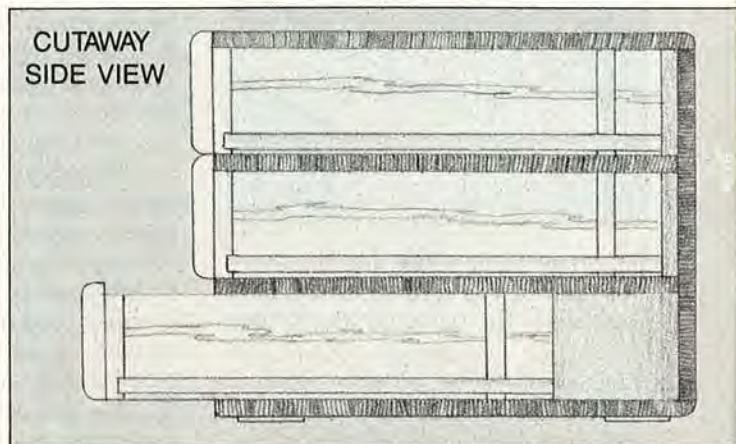
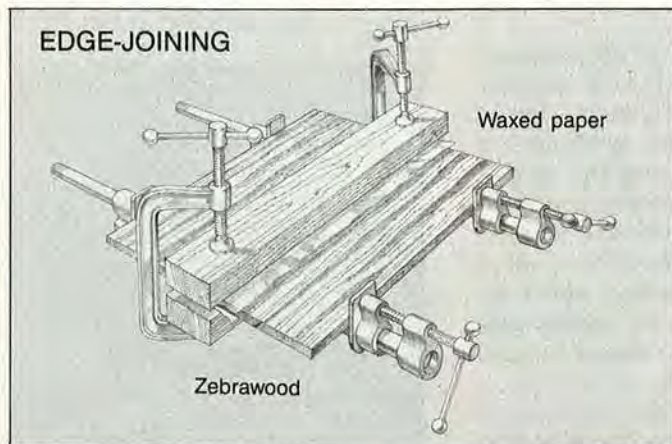
TIME TO FINISH AND ADMIRE

1 Fit the drawers into the case, sanding if necessary for a good fit. Finish-sand the case and drawers.

2 Apply two coats of clear lacquer sanding sealer followed by two coats of gloss lacquer. Don't forget to finish the inside of the box to minimize warpage. [Tip: After the last coat of lacquer had thoroughly dried on our jewelry case, we coated the bottom edge of the drawer sides (F) with paraffin wax to ensure smooth gliding.]

3 Cut the drawer liner fabric and cork foot pads to size and attach them with double-faced tape or spray-on adhesive. Felt would also work fine for the foot pads. ♣

Project Design: James Downing
Photograph: Hopkins Associates
Illustrations: Kim Downing, Randall Foshee



A DIFFERENT STRIPE



Bill of Materials

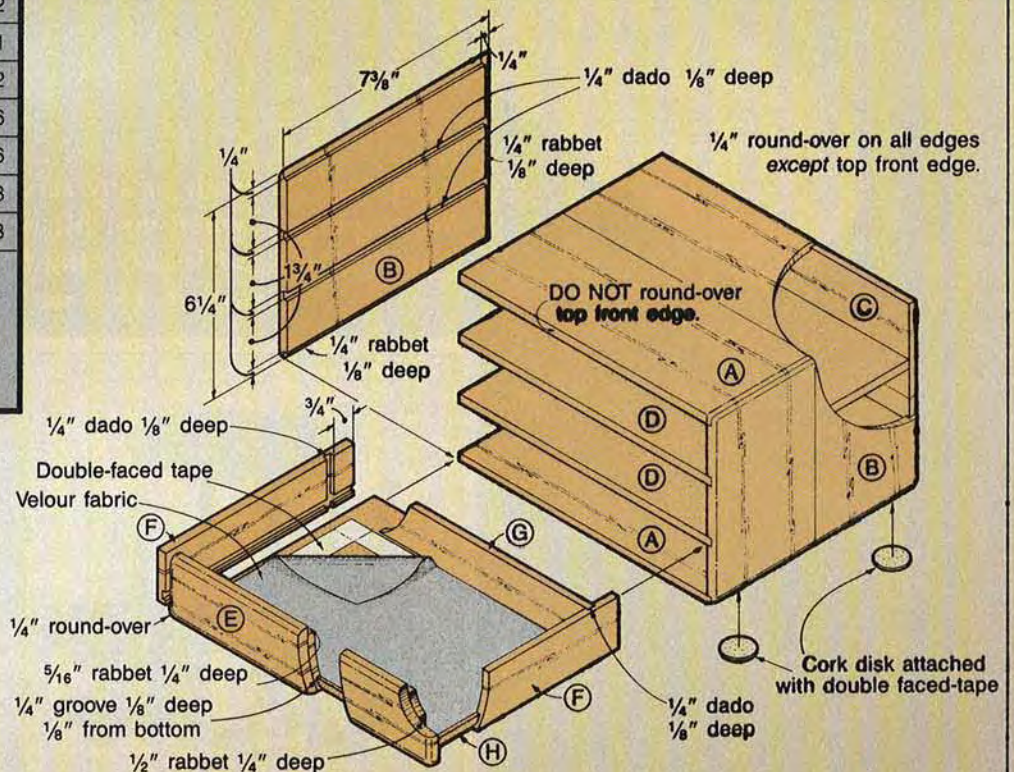
Part	Finished Size*			Material	Qty.
	T	W	L		
A*	1/4"	7 3/8"	9 3/4"	zebra wood	2
B*	1/4"	7 3/8"	6 1/4"	zebra wood	2
C*	1/4"	6"	9 3/4"	zebra wood	1
D	1/4"	7 1/8"	9 3/4"	hardboard	2
E*	1/2"	2"	10"	zebra wood	6
F	1/4"	11 1/16"	7"	zebra wood	6
G	1/4"	15 1/16"	9 3/16"	zebra wood	3
H	1/4"	7"	9 3/16"	hardboard	3

*Some parts are cut larger initially, then trimmed to finished size. Please read the instructions before cutting.

Supplies: velour fabric, double-faced tape or spray-on adhesive, cork or felt, lacquer sanding sealer, clear gloss lacquer finish

BUYING GUIDE

● **Zebra wood.** 1/4" stock, \$5.28 per square foot, stock no. W9391. Craftsman Wood Service Company, Dept. W, 1735 W. Cortland Ct., Addison, IL 60101. Or order by phone, 312-629-3100.



OFF WITH THE OLD

A WORKSHOP GUIDE TO FURNITURE STRIPPING

The moment of truth in any refinishing project comes near the beginning, when you lift off the old finish and get your first good look at the bare wood underneath. Look at what we found here!



What's the best way to give the heave-ho to a tired old finish? The answer almost always is with a chemical that interacts with the finish's vehicle, be it the resins in shellac, lacquer, or varnish, or the linseed oil in many paints. Once the vehicle liquefies, you then *gently* lift it off with steel wool, a putty knife, scraper, or, in some cases, with a stream of water from a hose.

The key to success in any furniture stripping project lies with the chemical you choose to do the job, and in applying it properly. Safety is a big factor, too—you're working with toxic substances that can irritate the skin, eyes, and lungs (particularly methylene chloride). Many of the products are highly flammable as well.

Commercial paint and varnish removers will soften just about any finish, but before you rush out to buy a gallon or two, take a few minutes to analyze just what you're dealing with.

First, what exactly is the old finish? Paint is obvious, but you may need to give clear finishes a couple of simple tests. Dab an area with denatured alcohol. If the finish liquefies, it's shellac (you'll know immediately). If it gets soft but doesn't dissolve, it's most likely a mixture of shellac and lacquer.

Now test with lacquer thinner; if it liquefies, the finish is lacquer. To strip shellac and lacquer, you don't need a commercial remover. Instead, just use the appropriate solvent, mixing alcohol and lacquer thinner 50-50 to dissolve a combination shellac/lacquer finish.

If the piece is more than 150 years old and has been painted, you might want to try a third test, this time with ammonia. If ammonia liquefies the finish, it's milk paint, and only ammonia will take it off. Think long and hard, however, about whether you want to remove milk paint. Much of the value of older painted furniture depends on its having the original finish. What's more, ammonia is a dangerous, highly toxic chemical to be working.

CHOOSE YOUR WEAPONS AND PREPARE FOR BATTLE!

Once you've ruled out shellac, lacquer, and milk paint, you can stop testing. Regardless of what the finish might be—varnish, polyurethane, or whatever—you're going to have to invest in a commercial paint and varnish remover.

The chart, *below*, compares the major types of strippers (liquid, semipaste, heavy paste, and water rinse), as well as denatured alcohol and lacquer thinner.

Stripping formulas vary according to the maker and to the jobs they do best. Methylene chloride is the highly toxic substance in most strippers that eats away the old finish. It evaporates rapidly, so strippers also contain waxy additives to slow evaporation. The amount of these additives determines how effective—and also how costly—a stripper will be. In general, the harder the finish and the more layers underneath, the more potent the stripper required and the more likely that you'll need several applications.

Major manufacturers often offer

several, if not all, of the strippers, so if you're not having much luck with, say, a semipaste, step up to a heavy-paste remover from the same manufacturer. Don't mix brands, though; some formulations can neutralize others.

Water-rinse strippers are a good all-around choice. They have lots to recommend themselves, with a few drawbacks. Instead of only being able to scrape off the softened finish, you may be able to wash it away with a wet sponge, brush, or steel wool or, better yet, hose it off.

Water-rinse strippers are very effective, easy to use, and non-flammable. Because you're literally floating away the finish, you run almost no risk of gouging the wood. The only trouble is, you really have to flood the surface, and water can stain some woods and peel off veneers. If you decide to use a water-rinse stripper, be sure to thoroughly dry the wood with a soft towel afterward and let the piece air dry for several days.

TYPE	USE ON	SAFETY	HOW TO APPLY
Liquid stripper	Works best on large horizontal surfaces such as tabletops.	Toxic and flammable	Pat on with a brush, let stand for about 15 minutes, and lift off sludge with a putty knife. Liquid stripper evaporates rapidly.
Semipaste stripper	Removes most paints and varnishes, but not effective on polyurethane or epoxy-based finishes.	Some are nontoxic and non-flammable.	Pat on with a brush, let stand, lift off with a putty knife.
Heavy-paste stripper	Effective with many layers of paint, varnish, epoxy, polyurethane, and marine finishes.	Toxic but non-flammable	Pat on, let stand, lift off.
Water-rinse stripper	Removes just about any finish, but don't use on veneers or inlays.	Nontoxic and non-flammable.	Brush on, let stand, then wash off with a hose or sponge. Dry off as quickly as possible.
Denatured alcohol	Shellac. Alcohol can also remove shellac sealers under other finishes, such as varnish.	Toxic and flammable	Brush on, then rub off immediately with steel wool. Work quickly, in small sections at a time; alcohol evaporates quickly.
Lacquer thinner	Lacquer. Mixed 50-50 with alcohol, thinner will remove combination shellac and lacquer finishes.	Toxic and flammable	As with alcohol, brush on and rub off with steel wool, doing small sections at a time.

Continued

STEP BY STEP: BRUSH IT ON, WIPE IT OFF, AND CLEAN 'ER UP

Believe it or not, furniture stripping can be fun, albeit messy, as we discovered when we unmasked the beautiful Honduras mahogany occasional table pictured here and on page 72. The whole process took just a couple hours in our shop, start to finish (see photos, *opposite*).

Chemicals strong enough to dissolve layers of old paint and varnish are toxic, and most are flammable as well, so be careful and protect yourself (see tips, *opposite page*). Methylene chloride fumes pose the biggest health hazard in many strippers: At this writing, several federal agencies are weighing the possibility of restricting its use.

Set up in an open, well-ventilated place, such as a garage, driveway, or patio, but avoid direct sunlight: Heat can quickly dry out stripping agents and impede their effectiveness. If you must work in a basement or other location where ventilation is not especially good, place a fan near floor level. Fumes, which can be highly explosive, tend to settle.

Protect the floor by first spreading out a plastic drop cloth, then laying several thicknesses of newspapers on top. Remove layers of paper periodically as they become saturated with stripper sludge. Cat-box filler, sawdust, and/or wood shavings spread over the papers will help absorb sludge.

Before applying stripper, remove all hardware, handles, knobs, and latches. Drop them in a can partially filled with stripper, and cap it. You needn't totally cover the hardware; the fumes will soften the finish. When you have your piece stripped, grime will wash away.

Now, pour a small quantity of stripper into a metal—not plastic or glass—container. Use old or cheap synthetic brushes and plan to throw them away at the end of the day.

1 (See photo.) Brush on a generous amount of stripper in one direction only, and don't go back over an area unless the stripper appears to be

drying out immediately. Apply stripper to top surfaces unless you want to test a small, less visible area first. You may want to remove the top entirely in order to treat both sides of the piece—an important precaution if you want to avoid warpage that can occur if only one side is treated.

2 As you reach the bottom of the piece, one at a time, put its legs in a shallow pan to catch any stripper runoff. The time a stripper takes to do its job depends on the product and the old finishes. After the surface begins to wrinkle (up to about 15 minutes, usually), lightly test a small section with a putty knife. If the whole mess comes right off, the stripper has completed its job. If some areas seem to hold fast or pull at the putty knife, wait another 15 minutes or so and try again. If you still don't see bare wood, brush on more stripper.

Remove the stripper sludge from flat surfaces with a wooden or heavy-duty plastic scraper, a spatula, or a putty knife (round the corners to avoid gouging). Hold the scraper at a shallow angle to the surface and aim to *lift*, not scrape off the sludge (see photo, p. 72). Avoid permanent damage from scratching or cutting into the wood fibers with your scraper.

At this point you'll probably be delighted at how effortlessly sludge slides off flat surfaces. Turnings, carvings, and crevices require more patience and ingenuity, however. The first thing you may discover is that remover doesn't cling well to vertical and cylindrical surfaces.

A trick that works for one refinisher we know is to apply stripper; then immediately wrap the part with aluminum foil; the foil helps hold remover against the finish and also retards evaporation. There's also a stripper-impregnated fiber product that does the same job in one step (see manufacturer listing at end of article). Now for the nooks and crannies.

3 Remove sludge from rounded and turned surfaces with medium-fine steel wool, not a scraper; scraping could flatten the wood.

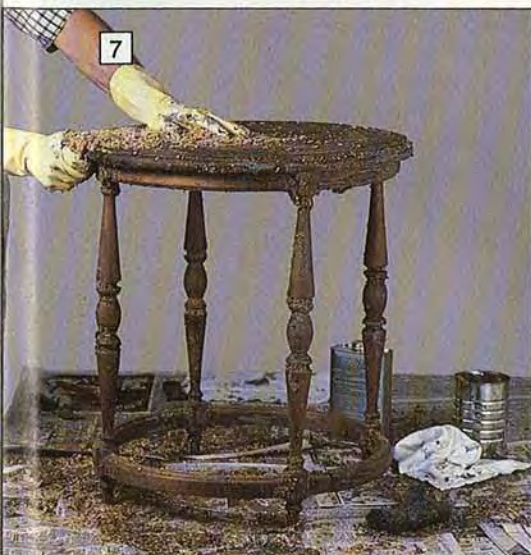
4 To clean out the crevices in turnings, loop a piece of heavy string or thin hemp rope around them and pull it back and forth shoeshine fashion. For slight tapers, make a thick rope of steel wool and use it the same way.

5 Use a toothpick to clean out tight corners, beads, and joints. Carvings are especially tricky, because finish tends to build up in them and because you don't want to damage these important decorative elements.

6 You can also use a toothbrush in tight spots. A word to the wise: With delicate carvings (this piece had none), don't use metal tools that could gouge the wood.

7 After you've removed all the sludge, scrub the stripped piece with sawdust, then a sponge, rag, or with fine steel wool soaked in water or in the solvent recommended by the stripper's maker. Lacquer thinner is the most common. This washdown not only removes any remaining finish, it also neutralizes and flushes away stripper chemicals. If you find clear streaks that seem embedded in the grain, the wood was probably sealed with shellac, which can be removed by rubbing with steel wool dabbed in denatured alcohol.

8 Our final step with any project is a washdown with a household cleaner solution like Spic 'n Span or Soilax. Rinse several times, changing water if necessary to avoid discoloring the piece (notice how dark the newly lifted stain appears in our final photo).



TIPS ON WORKING SAFELY WITH STRIPPERS

Once you've seen what a chemical stripper can do to paint or varnish, you'll want to keep it away from your skin. Wear old clothes, long sleeves, and rubber gloves, and *protect your eyes with safety goggles*. Fumes from strippers can irritate eyes; cause headaches; and, after prolonged exposure, damage throat and lung membranes. Always work in a well-ventilated place and take a fresh-air break every 10 minutes or so. Also keep these pointers in mind:

- Never smoke in a space where stripper is being used, and avoid any areas near an open flame, such as a furnace pilot light.

- Don't drink beverages containing alcohol before or while using a stripper. Not only can alcohol affect your judgment, it may make you more sensitive to fumes.

- Keep children and pets completely out of the area.

- If stripper accidentally splashes onto your skin, wash it off immediately with cool, clear water.

- Don't save old brushes or partially filled jars or coffee cans of stripper. Seal the manufacturer's can (virtually all have childproof caps) and store it in a cool, safe place.

- Dispose of sludge-covered newspapers and other stripping residue as soon as you're finished with a job. Bag them in a plastic garbage bag, seal it well and keep it away from heat (poke a few holes in the bag for ventilation). Spontaneous combustion can result if trash containing stripper lies around very long.

- Read your product's instructions carefully. Not all strippers work alike.

Continued on page 88

READERS,
IT'S YOUR
TURN!

PROJECT

You did it again! We asked you to share your projects with us, and you sent us an array of top-notch woodworking.

Here's just a sampling from the many talented readers across the nation who sent us their project photographs. See how a few of your fellow woodworkers occupy themselves—from an Alaskan carver's sculptured decoy to a Minnesota cabinetmaker's Honduras mahogany display case.

AN INSPIRING WORK

William E. Henderson, 39

Ft. Shawnee, Ohio

Cooperative extension 4-H agent

Undoubtedly, it was his craftsmanship that finally persuaded a local church to have Bill build its altar. But the initial contact with the congregation came through 4-H. The minister's son is a 4-H member. Should it be any surprise that a former 4-H member designed the intricate inlaid wood panels on the altar's front?

Instead of simply inlaying the wood on the front panels, Bill created a "3-D feeling." The cross and the dove, for instance, are $\frac{1}{2}$ " thick-

er than the surrounding woods to create a relief surface. After some trial and error, Bill crosscut the walnut on the trees for a leafy look. Variety in grain and color came from crotch-cut walnut, cherry, curly maple, and hard maple, used with the primary walnut.

The altar is finished in tung oil topped with paste wax. Bill, you're an inspiration!

A BIT OF OPTICAL ILLUSION

Steven Hodgson, 32

Northfield, Minn.

Cabinetmaker

Steven took on this elegantly lined display case of lacquer-finished Honduras mahogany for an optical company. The bottom shelf, a mirror, reflects the image of the eyeglass frames displayed on the glass shelves above. You might say that the result is a bit of optical illusion.

The base, which has doors for access to a storage area, was made using frame-and-panel construction. The mahogany stiles cut from one piece are mortise-and-tenoned to the rails. Steven dadoed the stiles so the glass panels could slide into place from above. One stile hides a wire to the light fixture in the top.



SHOWCASE

COLLECTIBLES FROM A RARE COLLECTION

*Frank M. Knox, 83
New York, N.Y.*

Retired management consultant

Some folks collect things to sit around and look at. Not Frank Knox! He collects rare woods and transforms *them* into collectibles. Frank made the finial for this ornately turned, covered bowl from one of the world's rarest woods, pink ivory. The stock came from what was originally a 5'-long, 10"-thick log he found 30 years ago. Frank says the stock "survived better than the five bandsaw blades I wore out cutting it!"

You won't find run-of-the-mill wood in the rest of this turning either: The bowl itself is pernambuco, the stem and base is African blackwood, and the cover is bubinga.

Frank's turning, which he does on a 1853 Holtzapffel ornamental lathe, will be featured in a forthcoming book. Look for it from Prentice-Hall Press, a division of Simon & Schuster.



AN ALLURING DECOY

*Nate Silvola, 39
Homer, Alaska
Carver*

Nate's half-size decoy may not lure any feathered friends, but as sculpture, it catches our attention. In the two years he's been carving, Nate has done a variety of wildfowl.



Redwood was Nate's choice for this pintail drake. He discovered, however, that among redwood's attributes lies a shortcoming: its brittleness. Preventing the head from breaking off was a problem. The solution was to insert a 1/4" hardwood dowel through the body and into the head.

To keep feathers from breaking off, Nate makes them out of birch tongue depressors from a surgical supply dealer. Before carving and gluing them to the body, he moistens

them in his mouth, or in coffee, then bends them to shape.

Nate paints his creations with acrylics, texturing first with a wood-burning tool. ♣

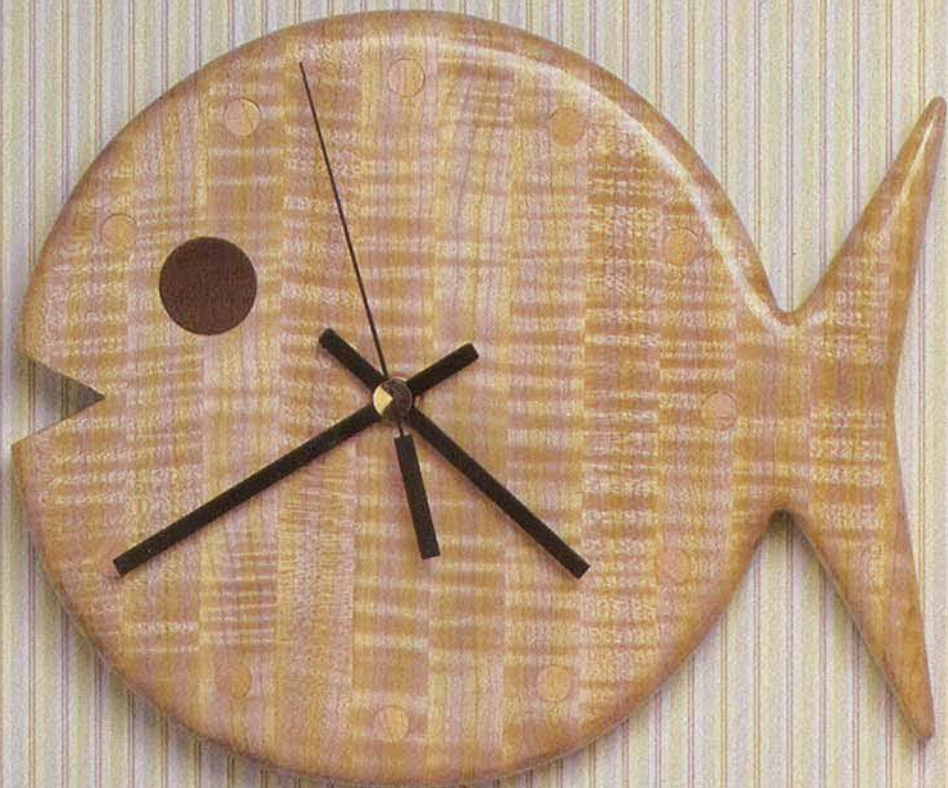
To submit your projects . . .

Send a 35-mm color slide, with the project as the focal point and a simple background—no people. Include a capsule description—materials, special joinery, finish, and dimensions, for example. **WOOD** will pay \$25 for published projects. Slides cannot be returned unless you enclose a self-addressed, stamped envelope.

Project Showcase
Better Homes & Gardens®
WOOD magazine
Locust at 17th
Des Moines, IA 50336

Time and Time

3 great
clocks
to build

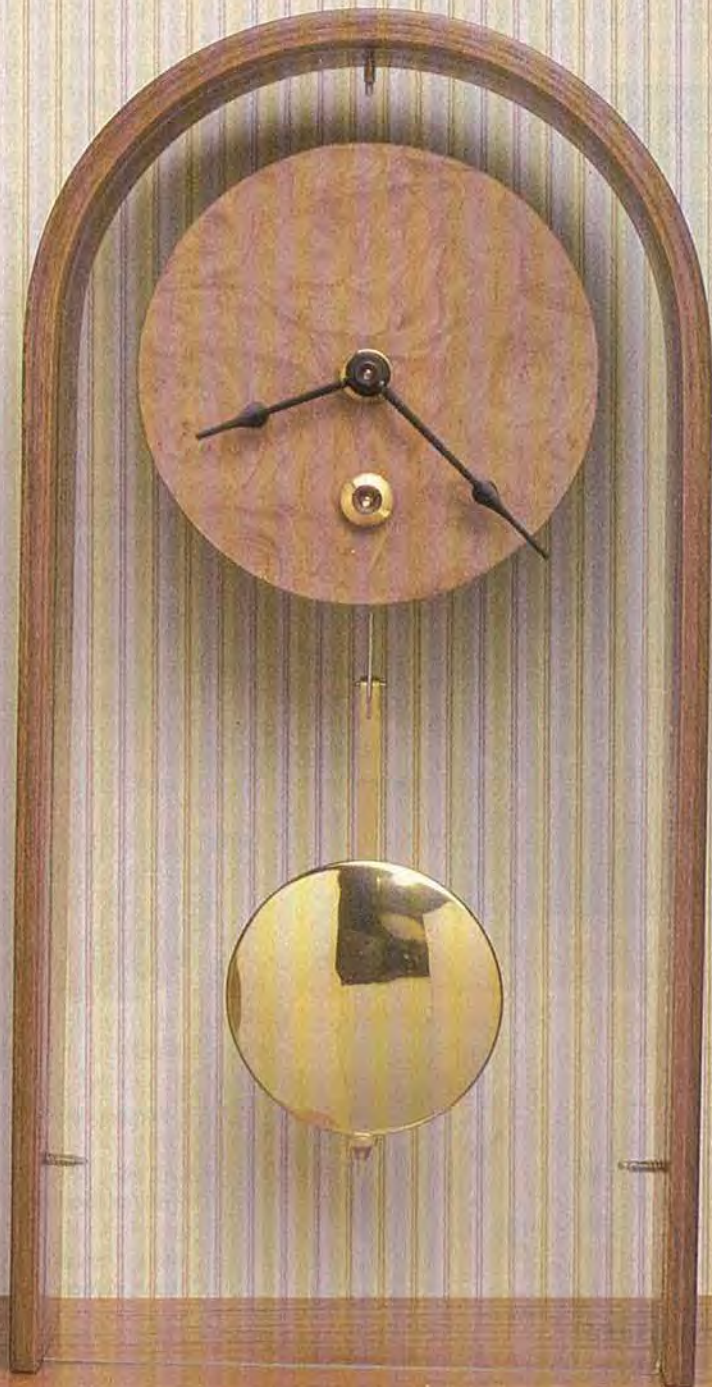


Haven't built a clock before? It's never too late to start. Don't worry about the mechanical parts—you can order them from the sources listed in the Buying Guide. Choose from a cozy, old-time mantel clock, a just-for-fun wall clock, and a strikingly simple pendulum clock. Each requires different woods and techniques to build, so pick your favorite and head for the shop—time's a wastin'!

 [Print this article](#)



Again



See-Through Pendulum Clock



The choice just wasn't clear: Some of us liked the clock movement showing; others preferred the burl-veneered face. Either way, the laminated walnut veneer shell used in both clocks couldn't be more "striking." But beware—the clever veneer-bending form and the circle-cutting jig are almost as fun to build and use as the clocks themselves are!

Note: Build the exposed-movement clock the same as the burl-faced canister clock, with one exception: You'll need a second piece of acrylic positioned flush with the back edge of the laminated shell. This second piece forms a dust barrier for the exposed movement and supports the chime. The movement used with the burl-faced clock has no chime.

LAMINATING THE VENEER

1 Build the bending form as shown in the Bending-Form Drawing and to the dimensions listed in the Bill of Materials. Glue the form body (A) together, and screw (don't glue) the base (D) to the form body for removal later. Mark a centerline at the top of the completed form as shown in the drawing.

2 Rip and crosscut 12 pieces of veneer (F) to 4" wide by 32" long. Mark a centerline 16" from either end on the top of the best piece for the top layer.

3 To ensure successful gluing later, place the pieces on the form without glue, and check that the veneers fit snugly between the form and the dowel mounted in the bending levers.

Depending on the precise thickness of your veneer (it varies), you may need to add or subtract a piece of veneer for a tight fit. By placing the piece with the marked centerline on top and aligning it with the top center of the form, the veneer should sit centered on the form, not

Continued

TIME AND TIME AGAIN

quite reaching the base (D) on either side. Note the gap between the ends and the base for reference later when laminating.

4 Cover the form with waxed paper, and have sliding-head clamps at the ready. Mix the epoxy and apply it to one side of each piece of veneer except the top piece. (We placed the epoxy in a paint tray. We then used a disposable 3" roller for applying the epoxy and wore disposable gloves.)

5 Center the veneer stack on the form, leaving the predetermined gap between the base and the ends of the veneer. Position and clamp one of the clamp blocks (E) and waxed paper to the form, sandwiching the veneer in between. (When clamping the veneer, we tried to keep the veneer edges as flush as possible.)

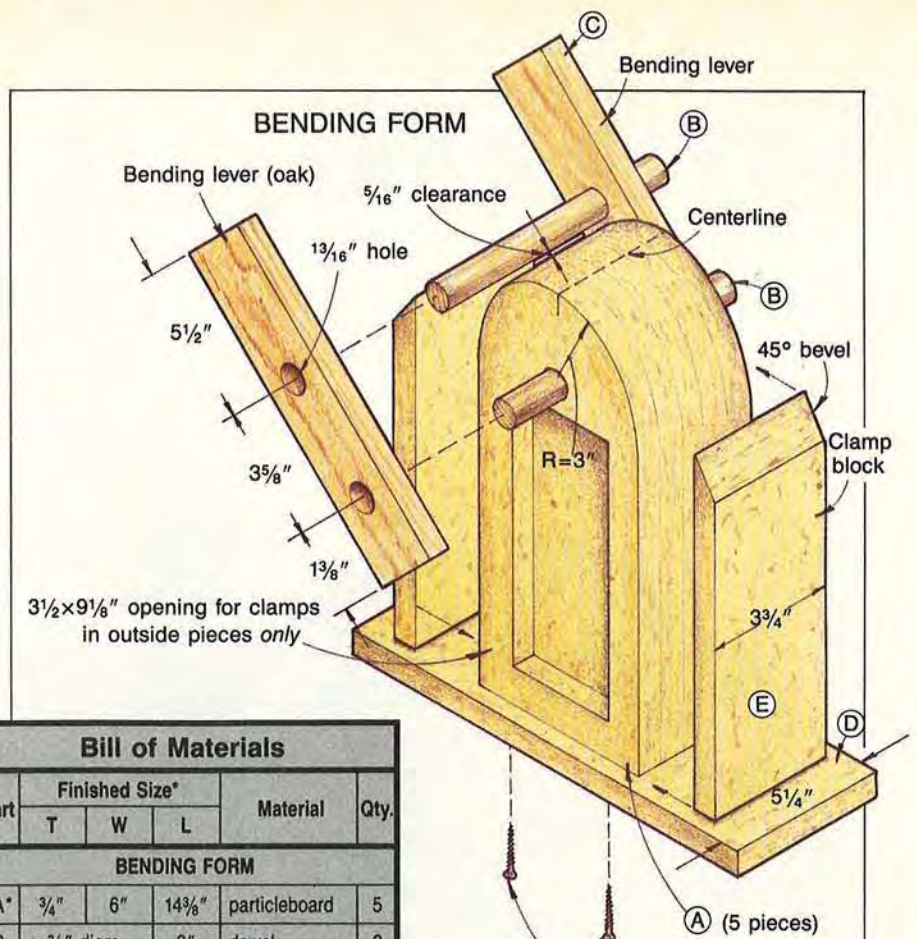
Install the dowels (B) in the bending lever and form. Starting on the same side as the clamped block (E), pull the veneer over the top radius of the form as shown in the photo, *below*. The bending levers and dowel will squeeze out excess epoxy and trapped air. Clamp the other clamp block and waxed paper to the form.



6 Let the veneer lamination dry on the form overnight, then remove the clamps and waxed paper. Remove the lamination from the form, then unscrew the form body (A) from the base (D).

7 Lay the form body (A) horizontally flat on a work surface, and clamp the lamination back onto the form, with one edge of the lamination about 1/8" above the form. Now clamp the whole works onto a

Pendulum clock continued on page 90

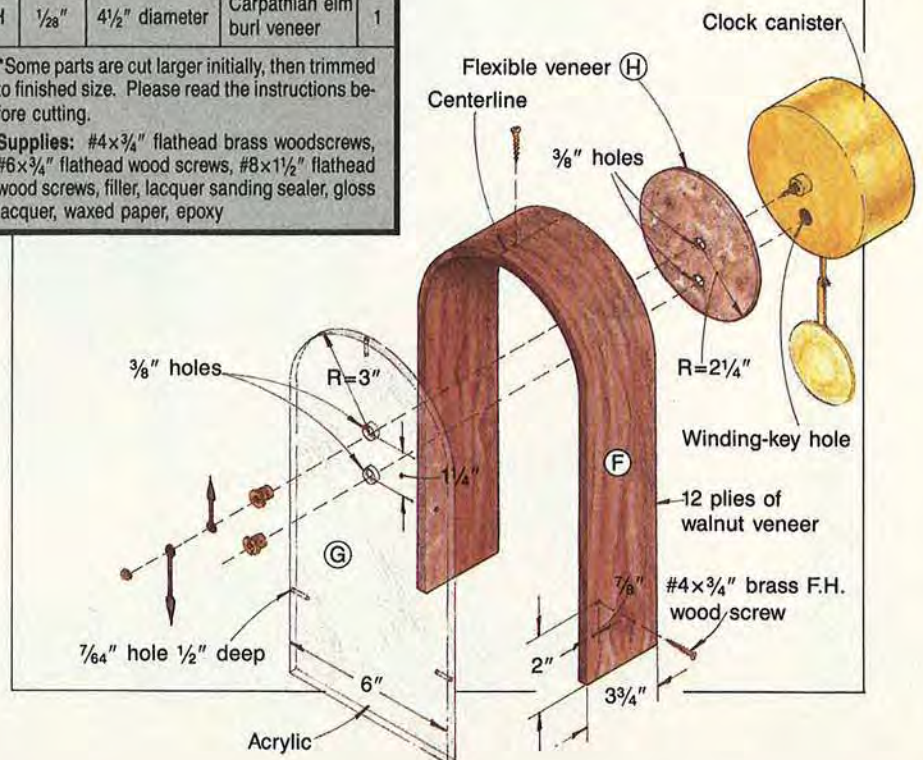


Bill of Materials					
Part	Finished Size*			Material	Qty.
	T	W	L		
BENDING FORM					
A*	3/4"	6"	14 3/8"	particleboard	5
B	3/4" diam.		8"	dowel	2
C	3/4"	1 1/4"	10 1/2"	oak	2
D	3/4"	5 1/4"	12 1/2"	particleboard	1
E	3/4"	3 3/4"	11 1/2"	particleboard	2
CLOCK					
F*	1/28"	3 3/4"	30 1/4"	walnut veneer	12
G*	1/4"	6"	12 3/4"	acrylic	1
H	1/28"	4 1/2" diameter		Carpathian elm burl veneer	1

*Some parts are cut larger initially, then trimmed to finished size. Please read the instructions before cutting.

Supplies: #4 x 3/4" flathead brass woodscrews, #6 x 3/4" flathead wood screws, #8 x 1 1/2" flathead wood screws, filler, lacquer sanding sealer, gloss lacquer, waxed paper, epoxy

#8 x 1 1/2" F.H. wood screws
Note: Form (A) is screwed only, not glued to base (D)





Art Deco mantel clock

Just about everyone who's passed this clock in our offices has paused to admire it. Yet, it's almost embarrassingly fast and easy to make. We won't tell if you don't...

BUILDING THE CLOCK BODY

1 Lay out and mark the oak front (A) and walnut back (B) as shown in the Half-View Grid. Also cut the base (C) to the size indicated in the Bill of Materials.

2 Cut pieces A and B to shape with a band saw or jigsaw. Using a hole saw, bore a $3\frac{3}{8}$ " hole through A (you could also drill a hole large enough for your jigsaw blade, and cut a $3\frac{3}{8}$ " hole). Drill a $\frac{7}{16}$ " hole in B for the clock shaft.

3 Rout the front edges of A and B and the top edges of C with a $\frac{3}{8}$ " round-over bit. Drill and counter-sink two $\frac{3}{16}$ " pilot holes through the base where dimensioned in the Exploded-View Drawing.

4 Position the clock movement on the back side of the walnut back (B) with the clock shaft in the $\frac{7}{16}$ " hole. Trace the outline of the clock on the back of B. Using a large diameter flat-bottomed bit, drill $\frac{5}{16}$ " deep holes to form a recess slightly larger than the drawn outline to house the clock movement. Check the fit of the clock in the recess, and make sure that enough of the threaded shaft protrudes through B to fasten the shaft nut to.

MAKING THE HANDS

1 Resaw scrap oak stock to $\frac{1}{16}$ " thickness. (We cut enough thin stock for a few extra hands. It's a lucky thing we did because we broke one when drilling in a later step.) Stiff veneer stock will also work for the hands.

2 Using tracing paper and the full-sized patterns, trace the hands and hole positions onto the thin oak stock. Drill holes in both hands to fit the clock shaft.

3 Cut the hour hand (D) and minute hand (E) to length and sand to shape.

FINAL ASSEMBLY

1 Finish-sand all clock parts, using extra care when sanding the hands.

2 Glue, clamp, and screw the back (B) to the base (C), then glue and clamp the front (A) to the base and back. Remove the excess glue.

3 Remove the clamps and do any touch-up sanding necessary. Finish the clock body and hands as desired (we sprayed on several coats of lacquer).

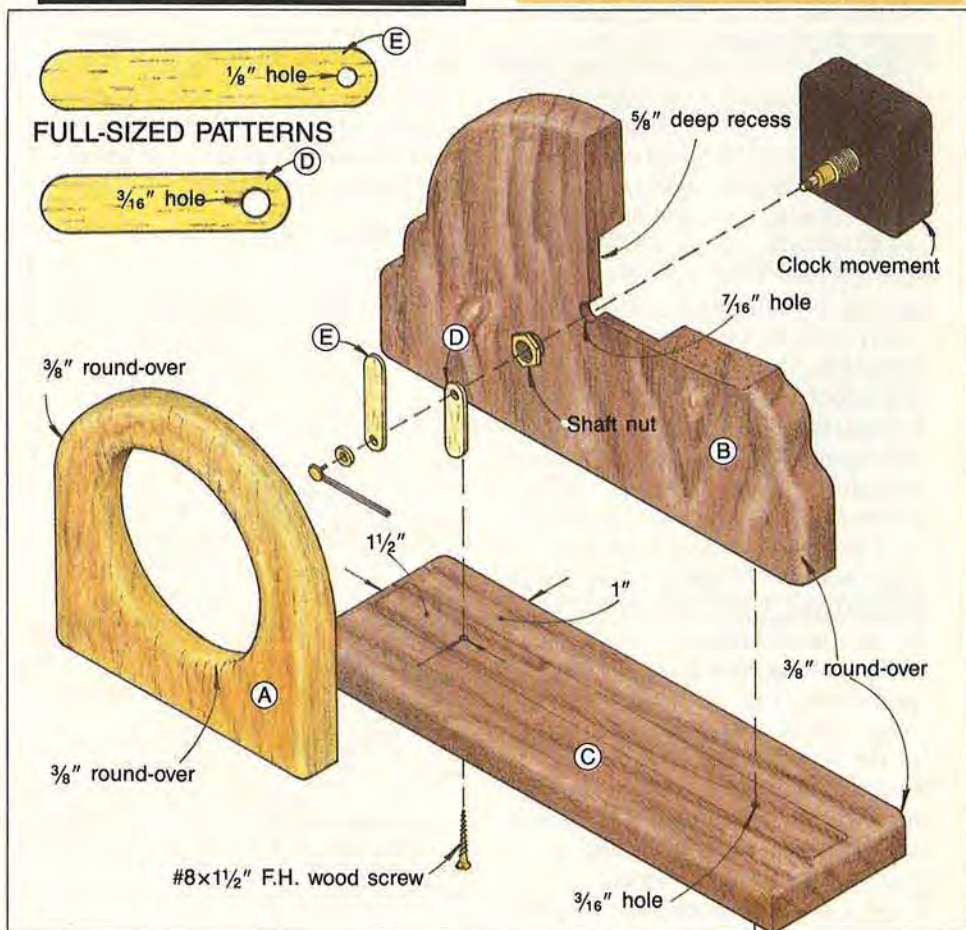
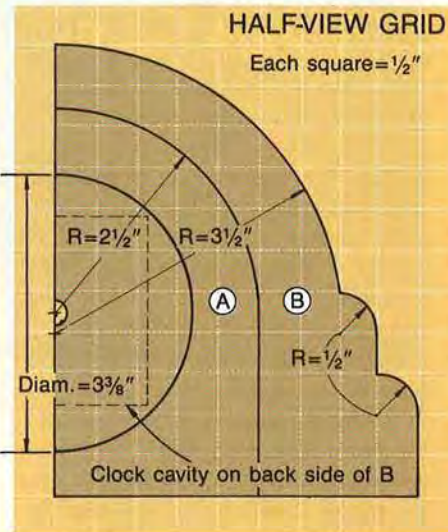
4 Install the clock movement, and carefully attach the hands.

BUYING GUIDE

● *Thinline quartz movement.* $\frac{5}{8}$ " thick with a short shaft. Catalog no. M88SP, \$6. Kas-Ker Company, P.O. Box 14069, Cincinnati, OH 45214. Or call 513-241-7073.

Project Design: Ralph Peterman
Photograph: Hopkins Associates
Illustrations: Kim Downing; Bill Zaun

Bill of Materials					
Part	Finished Size			Material	Qty.
	T	W	L		
A	$\frac{3}{4}$ "	5"	$4\frac{3}{4}$ "	oak	1
B	$\frac{3}{4}$ "	9"	$5\frac{1}{2}$ "	walnut	1
C	$\frac{3}{4}$ "	$2\frac{3}{4}$ "	$9\frac{3}{4}$ "	walnut	1
D	$\frac{1}{16}$ "	$\frac{3}{8}$ "	$1\frac{1}{4}$ "	oak	1
E	$\frac{1}{16}$ "	$\frac{3}{8}$ "	$1\frac{3}{4}$ "	oak	1
Supplies: #8x $1\frac{1}{2}$ " flathead wood screws					





Prize catch Angelfish Clock

The things you can do with wood!
By laminating curly maple with the edge grain up, we achieved a luminous look similar to that of a real fish.

LAMINATING THE CLOCK

1 Using $\frac{3}{4}$ " curly maple, crosscut one 8"-wide piece 18" long. Then rip seven pieces $\frac{3}{4}$ " wide from it. Now crosscut the 18" pieces in half. You should now have 14 pieces measuring $\frac{3}{4} \times \frac{3}{4} \times 9$ ".

2 With the edge grain up, glue and clamp the pieces to form a rectangular lamination measuring $9 \times 10\frac{1}{2}$ ". Keep the surface of the lamination as flush as possible when clamping. After the glue dries, scrape off the excess, and belt-sand both sides smooth.

3 Using the dimensions listed on the Front-View Drawing, lay out and mark the shape of the fish on the maple lamination. The lamination is extra large so you'll have excess on all edges.

4 To mark the position of the hour marks, use a compass to draw a circle with a $3\frac{3}{4}$ " radius from the centerpoint. Bisect the centerpoint at 90° with two lines, one vertical and one horizontal, to mark 3, 6, 9, and 12 o'clock. Using a compass with the lead $1\frac{1}{16}$ " from the compass point, mark the points on the drawn circle to locate the position of the other hours. Now mark the location of the fish's eye.

5 Drill $\frac{3}{8}$ " holes $\frac{1}{4}$ " deep for the hour marks. Then, drill a $\frac{7}{16}$ " hole through the center of the 4" radius to accommodate the shaft of the clock movement. Switching bits again, bore a 1" hole $\frac{1}{4}$ " deep for the fish's eye.

6 Use a plug cutter to cut a 1"-diameter walnut plug $\frac{5}{16}$ " thick for the fish's eye. Using a $\frac{3}{8}$ " plug cutter, cut 11 maple plugs $\frac{5}{16}$ " thick for the hour marks. If you don't have plug cutters, substitute dowel stock (remember though, the dowel stock will show end grain and a plug will show surface grain).

7 Glue the walnut eye and maple

hour marks in place. Sand the walnut and maple plugs flush.

8 Position the clock movement on the back of the lamination with the shaft inserted into the hole. Trace the outline of the clock onto the back of the lamination. Using a 1"-flat bottomed bit (we used a Forstner) bore several holes $\frac{5}{8}$ " deep to form the recess to house the clock.

Bore the recess slightly larger than the outline drawn. Clean out the corners and rough edges with a chisel and mallet. (You could also use a router, template, and straight bit to form the recess.) Check the fit of the clock in the recess and the shaft through the hole.

FORMING THE SHAPE

1 Using the guidelines shown on the Front-View Drawing, mark and drill $\frac{1}{4}$ " holes at the intersection of the body and tail. These two holes create a smooth $\frac{1}{8}$ " inside radius.

2 Using the lines previously drawn, cut the fish to shape. Then sand the tips of the tail to shape. (We taped sandpaper to a small-diameter dowel and mounted this in a hand drill to sand the small radii where the tail meets the body.)

3 Fit your router with a $\frac{3}{8}$ " round-over bit, and rout the top edge, *except* the fish's mouth.

FINAL ASSEMBLY

1 Finish-sand the clock. If you notice small gaps around the hour marks, inject a small amount of glue into the crack and wipe off the excess with a wet finger. Pack the glue-filled crack with fine maple sawdust with your finger (dry this time), and then continue to sand. The dust will fill the crack and make it nearly invisible.

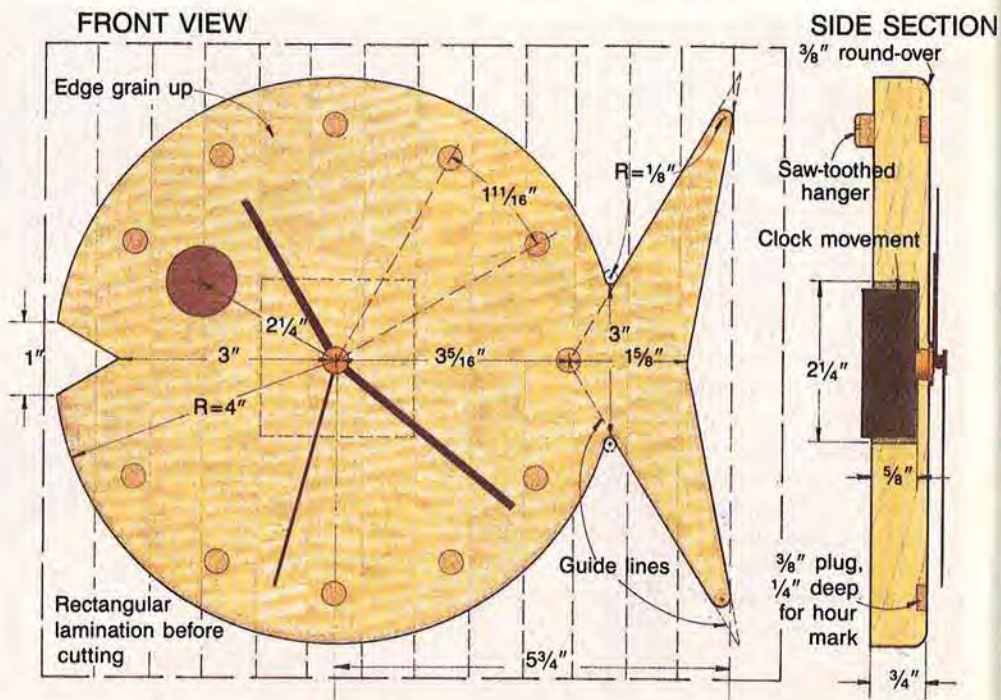
2 Apply the finish. (We used two coats of gloss lacquer to highlight the curly grain of the maple.)

3 Attach a saw-toothed hanger, the clock movement, and the hands. Hang the clock, and show off the one that didn't get away.

BUYING GUIDE

● **QC09 quartz clock.** $2\frac{1}{4}$ " square, short shaft, \$5.80. Precision Movements, P.O. Box 689, 2024 Chestnut St., Emmaus, PA 18049. Or call 215-967-3156. ♣

Project Design: James Downing
Photograph: Hopkins Associates
Illustrations: Kim Downing; Bill Zaub





FREE Tool Catalog

Quality Products For Woodworkers

Send today for your FREE copy of our new colorful catalog. It's fully illustrated with the finest quality tools, supplies, books, components, hardware, and much more. Satisfaction Guaranteed. Write today for your FREE catalog.



WOODCRAFT SUPPLY CORP.
Dept. WBH16
41 Atlantic Avenue, Box 4000
Woburn, Massachusetts 01888

SIGNCARVING IS PROFITABLE!



And it's easy, if you use the Marlin Woodcarvers and accessories. You can carve signs quickly at home or at swap meets. The machines do the work, the operator has the fun and profits.

No Special Training Is Required!

SEND \$1.00 FOR OUR BROCHURE AND PRICE LIST, AND BEGIN TO PLAN YOUR FULL OR PART-TIME BUSINESS.

Fine Carving Machines Since 1971

MARLIN INDUSTRIES

1911 OBISPO AVE., DEPT. D602
LONG BEACH, CA 90804
(213) 498-0767



Sleeveless DRUM SANDER

NO PRE-MADE SLEEVES TO BUY

ECONOMICAL — Simply cut sandpaper from standard size sheets
UNIQUE — Twist of key tightens sandpaper to drum.
SPONGE RUBBER backing insures long wear of sandpaper



1" x 3" long \$13.50
2" x 3" long \$15.50
2 1/2" x 3" long \$16.00
3" x 3" long \$17.50
1" and 2 1/2" Above \$27.00
Above 4 Drums \$55.00

3/4" x 3" long \$14.50
2 1/2" x 4 1/2" long \$21.00
3" x 4 1/2" long \$22.50
2 1/2" x 6" long \$25.50
3" x 6" long \$27.50
Add \$2.50 Per Order For Shipping

AVAILABLE WITH:

1/2" Bore with 1/2" or 1/4" shaft
1/2-20 RH Thread except 3/4" x 3"
3/4" Bore except 3/4" x 3" and 2" x 3"

USE ON:

Drill Press
Small Motor
Lathe, Combo-Tools,
Radial Saw, 1/4" Drill



Send Check or Money Order to:

SINGLEY SPECIALTY CO. INC.

P.O. BOX 50878, GREENSBORO, N.C. 27403
CALL: (919) 852-8581

WHEEL-RIGHT Wheel Maker



Never before possible a professional wheel maker that allows you to quickly mass produce detailed quality wooden wheels at a low low cost. Also turn out Rosettes and YoYo's. \$59.95 plus \$2.00 shipping and handling

The Tool Company

1306-G South Commercial
P.O. Box 629, Dept. BHG-7
Harrisonville, MO 64701
(816) 884-2679
Mo. Res. add 5.625% Sales Tax

89 JIG PATTERNS

SAW UP TO 21" HIGH

89 FULL-SIZE patterns of beautiful Wall & Corner Shelves, Bird Houses, Action Toys, Novelties, Lawn & Animal Figures, Flying Duck, Sprinkling Girl PLUS dozens of other easily made things. Just trace, cut out & paint! Order the JIG SAW PACKET today. Only \$7 Postpaid 1st Class.

MASTERCRAFT PLANS WEST, Dept. 14
PO Box 625, Redmond, WA 98075



OLD FASHIONED CANOPIED LAWN SWING & FOLDING PICNIC TABLE

Patterns for this "4 seater" LAWN SWING & Novel PICNIC TABLE which quickly converts into a comfortable LAWN BENCH. Both fold flat and are easily made. Also PATIO CHAISE LOUNGE. Only \$7 Postpaid 1st Class.

Mastercraft Plans, Dept. 122
PO Box 625, Redmond, WA 98075



SHOPSMITH® OWNERS

Make raised panels using our 3 wing carbide tipped shaper cutters.



M75 Shaper Cutter (4 1/2" dia.)
List \$138
Sale \$99
M76 Auxiliary table—\$30 (Plan only \$8)
M78 Arbor—\$22

All prices post-paid to 48 states
Send check, M.O., VISA, MC accepted
(C.O.D. - add \$3)

MANNY'S WOODWORKER'S PLACE

602 S. Broadway
Toll Free Lexington, KY 40508 In Kentucky
1-800-243-0713 (606) 255-5444

For families who enjoy and take pride in their homes, there's no more appropriate gift than a subscription to WOOD magazine.

BAND SAW BLADES

WELDED TO YOUR EXACT LENGTH

WIDTHS TEETH PRICE/INCH

1/16" 24 & 32 \$.09
1/8" thru 5/8" 3 thru 32 \$.05

OTHER SIZES AVAILABLE — INQUIRE

To Figure Price:

Inch Length x Price/Inch + \$1.85 Weld Charge

MINIMUM ORDER: \$10.00

Add \$2.50 for Shipping-Prompt Delivery

PHONE ORDERS —

1 (800) 543-8664 (Outside Ohio)

1 (513) 621-2159 (In Ohio)

VISA or MasterCard Accepted or

Send Payment with Order or

Write for More Information to:

BUCKEYE SAW COMPANY

P.O. Box 14794
Cincinnati, Ohio 45214

Full Size Plans



Toddlers love riding Charlie Horse. He is 11 x 22 x 26 high and easily built of pine. Plan-335 \$4.50

Jib Crane swivels on ball bearings and has two working hand controls. Height 24" Plan-319..... \$4.00



Our great collection of five toy vehicles is easily built with hand & power tools. Trailer is 18" long & 7" tall. Plan-18004..... \$8.50

Add postage 50¢ per plan. NY Res. add tax. Catalog \$1.00—Free with plans. Phone (516) 462-6228 We accept Visa & MasterCard orders if over \$15.00

ARMOR, Dept. L, Box 445, E. Northport, NY 11731

Love-Built Toys and The Toymaker Supply Co.

NEW — Midwest Location!
105 Weiler Rd. T11
Arlington Hts., IL 60005

NEW — Toll Free Phones!
1-800-624-3938
(In IL 1-800-358-4208)

NEW — LOW PRICES!

For Volume Purchases of Quality Toy Parts... Write or Phone Today for Fall Catalog!



THE BEST TOOL YOU'LL EVER BUY

"WOODWORKING"

BY IAN KIRBY
• A TUTORIAL SERIES OF TWELVE AUDIO TAPES
• TWELVE BOOKS & TWELVE AUDIO TAPES
• WE INVITE YOU TO PREVIEW THE SERIES BY SENDING \$12.95
• FOR THE FIRST BOOK AND AUDIO TAPE NORMALLY PRICED AT \$19.95 PER ISSUE
• SEND FOR INFORMATION AND SUBSCRIPTION DETAILS

1-800-LIGNUM-1

LIGNUM PRESS, LTD.
P.O. BOX 900217
ATLANTA, GEORGIA 30329

Bosch Router Bits



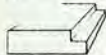
STRAIGHT BIT TWO FLUTE

PART #	DIA.	CUT LGTH.	SHK	LIST	SALE
85250M	1/4	7/8	1/4	11.80	8.85
85460M	1/4	7/8	1/2	14.90	11.15
85225	3/8	7/8	1/4	12.25	9.15
85241M	3/8	1	1/2	14.30	10.70
85227	1/2	7/8	1/4	12.70	9.50
85251M	1/2	2	1/2	17.40	13.00
85232	3/4	5/8	1/4	14.85	11.10



CORNER RD BIT TWO FLUTE

PART #	RAD.	CUT LGTH.	SHK	LIST	SALE
85294M	1/4	35/64	1/4	26.00	19.40
85296M	3/8	43/64	1/4	28.05	20.95
85594M	3/8	43/64	1/2	34.95	26.10
85297M	1/2	51/64	1/4	30.65	22.90
85595M	1/2	51/64	1/2	36.15	27.00



RABBETING BIT TWO FLUTE

PART #	RAB.	CUT LGTH.	SHK	LIST	SALE
85218M	3/8	1/2	1/4	24.15	18.05



ROMAN OOGEE BIT TWO FLUTE

PART #	RAD.	CUT LGTH.	SHK	LIST	SALE
85270M	5/32	15/32	1/4	31.80	23.75
85271M	1/4	25/32	1/4	33.95	25.35
85592M	1/4	25/32	1/2	43.15	32.20



CHAMFER BIT TWO FLUTE

PART #	BEV.	CUT LGTH.	SHK	LIST	SALE
85298M	45°	5/8	1/4	27.70	20.70
85597M	45°	5/8	1/2	27.85	20.80



COVE BIT TWO FLUTE

PART #	DIA.	CUT LGTH.	SHK	LIST	SALE
85205M	1/4	1/2	1/4	28.95	21.60
85206M	3/8	9/16	1/4	29.05	21.70
85207M	1/2	5/8	1/4	29.95	22.35



CORE BOX BIT TWO FLUTE

PART #	DIA.	CUT LGTH.	SHK	LIST	SALE
85444M	1/4	3/8	1/4	16.20	12.10
85445M	3/8	5/16	1/4	22.45	16.75
85446M	1/2	3/8	1/4	23.05	17.20
85447M	5/8	7/16	1/4	23.05	17.20
85448M	3/4	1/2	1/4	23.70	17.70



LAMINATE TRIM BIT THREE FLUTE

PART #	DIA.	CUT LGTH.	SHK	LIST	SALE
85216	1/2	1	1/4	20.10	15.00

REPLACEMENT BALL BEARINGS

PART #	I.D.	O.D.	LIST	SALE
10010	3/8	1/2	4.30	4.10
10020	3/16	1/2	3.85	3.65

PME

WOODWORKING SUPPLIES

1525 Garcia NE

Albuquerque, NM 87112

Qty Part Price

Shipping 2.95

Total _____

Name _____

Address _____

Zip _____

VISA/MASTERCARD

Exp. Date _____

Send SASE for a FREE brochure of our complete product line.

THE AMAZING 8-SPEED

Continued from page 45

BUILDING THE DISK-SANDER TABLE

1 Cut the sanding table's end (T), sides (U), and bottom (V) to size as listed in the Bill of Materials and as shown in the Disk-Sander Table Drawing. (Part T is dimensioned in the Table-End Drawing.) Bevel the top and bottom edges of the sides at 12° when cutting to size. Do the same to the edges of the bottom (V) that meet the sides.

2 Cut a hole through one of the sides for the vacuum-hose adapter.

3 Attach an 8" sanding disk to the shaft so it clears part D. Notch both of the table's sides (U) for clearance against the sanding disk.

4 Glue and screw the end (T) to the bottom (V). Glue and screw the sides to the table's end and bottom.

5 Mount the table-base assembly (T-U-V) on the cabinet, check for clearance, and drill two 1/2" holes through the table's bottom and just far enough into the outboard shelf (E) to mark their position. Change to a 7/16" bit and drill through the outboard shelf. Insert a 3/8" T-nut into each of the 1/2" holes in V. Attach the table-base assembly to the cabinet using machine screws.

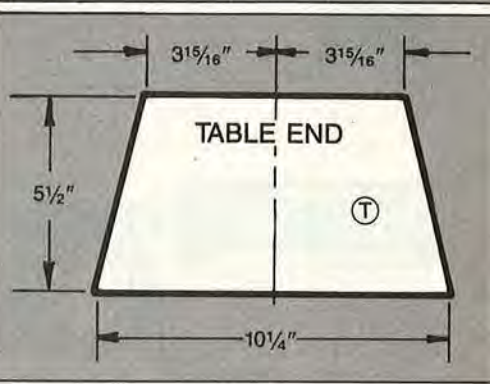
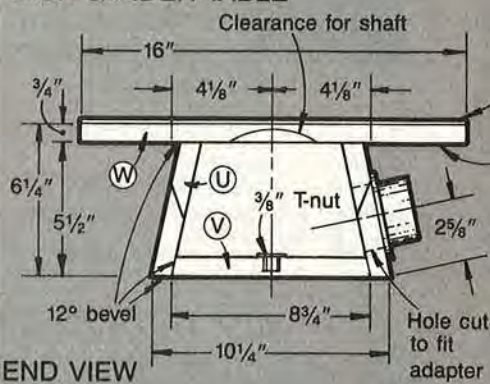
6 Cut the top (W) to size; lay out and cut 3/8" radii on all four corners.

7 Temporarily position the top (W) on the table-base assembly. Mark where the sanding disk and shaft will need clearance. Cut the clearance notch slightly oversized, and fit it against the sanding disk and shaft to make sure there is no point of contact between the two.

8 Cut the laminate top and balance sheet slightly larger than the top. Apply the balance sheet to the bottom of the top with contact cement. Using a flush-cutting router bit, trim the excess balance sheet flush with the outside edges of W. Glue and screw the top (W) to the base (T-U-V). Apply the plastic laminate to the top of W and trim flush.

9 Use your miter gauge to mark the size and location of the groove on the top of W. Allow at least 1/8" clearance between the edge of the miter gauge and the sanding disk.

DISK SANDER TABLE



Using a dado blade, cut the groove to size and test-fit the miter gauge. Mount the vacuum-hose adapter.

SANDING AND PAINTING

1 Finish-sand all surfaces. Mask off the laminate and magnetic catch hardware, electric cords, and switch. Remove the pulleys, motor, jackshaft, and mandrel.

2 Apply a coat of primer followed by two coats of gloss enamel to the entire assembly.

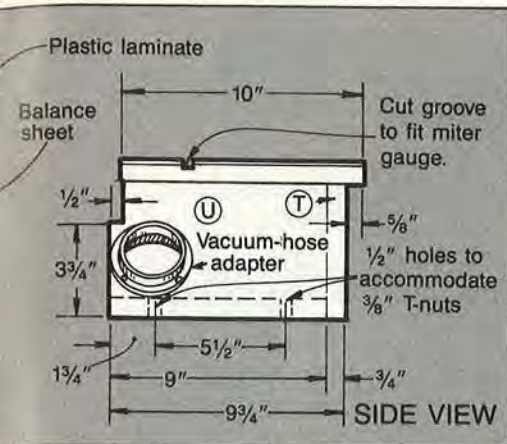
3 Reassemble all mechanical parts. (The belts *must* go on before you fasten the jackshaft and mandrel.)

USING THE MULTI-MACHINE

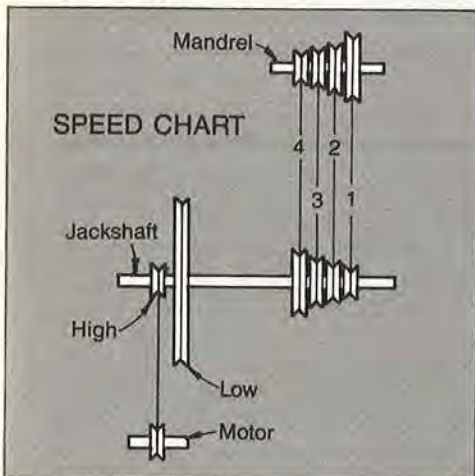
See the Speed Chart, right, for the correct speed and belt placement for the various workshop uses listed. Photocopy the chart and tape it to the door. To switch from low to high speed, raise the motor with one hand and move the belt from the 10" pulley to the 2" pulley on the jackshaft. Slide the motor on the pipe to align the pulley with the 2" pulley on the jackshaft.

To change speeds from the jack-

MULTI-MACHINE



shaft to the mandrel, raise the motor and take the belt off the motor pulley. With the weight of the motor off the jackshaft, loosen the $\frac{1}{4}$ " wing nuts on the jackshaft mounting blocks and raise the jackshaft. Move the top belt to the desired position. Reposition the lower belt onto the motor, which in turn pulls the jackshaft down. Then tighten the wing nuts.



BELT POSITION	R.P.M.	APPLICATION
Low-1	172	Wet grinding
Low-2	270	High-speed wet grinding
Low-3	445	Low-speed drum sanding
Low-4	690	Drum sanding
High-1	862	Drum sanding, pneumatic sanding
High-2	1340	Pneumatic sanding, disk sanding, flap sanding
High-3	2225	Grinding, buffing, wire wheel
High-4	3450	High speed polishing (Note: Power is low at arbor at this speed; do not overload motor.)

BUYING GUIDE

We obtained some of the mechanical parts for this project from Dayton, a wholesaler whose supplier is W. W. Grainger. If you have trouble locating Grainger parts, look in the yellow pages under "electric motors" for the Dayton dealer in your area. They'll inform you of local retailers. Grainger prices are not quoted here as they vary among retailers. Some parts are available from two sources, in which case we have given both companies' stock numbers and addresses.

● **Mandrel assembly.** $\frac{5}{8}$ " \times 12"; $\frac{1}{2}$ "-20 R.H. and L.H. thread; comes with shaft, bearings, pulley, collars, flanges, and nuts; stock no. HO741. \$16.95. Craftsman Wood Service, 1735 W. Cortland Ct., Addison, IL 60101, 312-629-3100. (We recommend using the heavier pillow-block bearings described below.)

● **Ball-bearing pillow block (2).** Used on jackshaft. Rigid-mount VPLE-210; $\frac{5}{8}$ " bore; self-aligning. Grainger stock no. 5X682. Craftsman stock no. HO738. \$19.95 each. (Address above.)

● **Motor.** 1 hp.; 1725 r.p.m.; capacitor start; volts 115/230; ball-bearing; manual reset; stock no. 9GT1215C. \$134.99 from Sears.

● **Four-step pulleys (2).** For type "A" $\frac{1}{2}$ " V-belts. $\frac{5}{8}$ " bore; stock no. 9GT27922. \$6.59 from Sears. Grainger stock no. 4X560.

● **2" pulleys (2).** 2" outside diam.; $\frac{5}{8}$ " bore; stock no. 9GT28012. \$1.69 from Sears. Grainger stock no. 3X896.

● **10" pulley.** 10" outside diam.; $\frac{5}{8}$ " bore; Grainger stock no. 3X935.

● **Power-tool switch.** Pull on/push off; stock no. 9GT13632. \$21.99 from Sears. (Order by phoning your local Sears store.)

● **Vacuum-hose adapter.** $2\frac{1}{4}$ " interior diam.; $2\frac{1}{2}$ " exterior diam.; stock no. AE0130. \$3.50 from Shopsmith Inc., 6640 Poe Ave., Dayton, OH 45414, 800-543-7586 (in Ohio, 800-762-7555).

Produced by Marlen Kemmet
Project Design: James Downing
Photographs: Hopkins Associates
Illustrations: Randall Foshee, Bill Zaun

NOW! Get in on the PROFITS in

SMALL ENGINE REPAIR!



Start your own money making business!

Work part time, full time—right at home—we help you every step of the way.

No doubt about it... as a small engine pro, you can cash in on the huge demand for qualified men in one of America's fastest growing industries. You'll be able to command top hourly rates of from \$25.00 to \$30.00 per hour—and that's just for labor. A simple tune-up earns as much as \$49.95 for less than an hours work, and parts, engines and accessories will add even more to the profits.

Plenty of business waiting for qualified men.

65,000,000 Small Engines Are In Use Today!

That's the official count from the Engine Service Assn., and one-million new engines are being built each month. With fully accredited Foley-Belsaw training, you can soon have the skills and knowledge to make top money servicing these engines. People will seek you out and pay you well to service their lawnmowers, tillers, edgers, power rakes, garden tractors, chain saws, minibikes, snowmobiles, generators, go-carts, paint sprayers, snowblowers... the list is almost endless.



Professional Tools and Equipment, PLUS 4 H.P. Engine ALL YOURS TO KEEP... All at No Extra Cost.

NO EXPERIENCE NECESSARY!

You don't need to be a 'born mechanic' or have any prior experience. You can master this profitable trade right at home in your sparetime. Lessons are fully illustrated... so clear you can't go wrong, and with our famous 'learn-by-doing' method you get practical 'hands-on' experience. We also show you how to get business, what to charge, where to get supplies wholesale... all the inside tricks of the trade you need to assure success right from the start.

Send for FREE Facts—Do it TODAY!

NO Obligation—NO Salesman Calls!

You risk nothing by accepting this offer to see how easily you can learn the skills you need to increase your income in a high-profit business of your own. Just fill in and mail coupon below (or send postcard with name and address) to receive full information by return mail.

RUSH COUPON TODAY

Foley-Belsaw Institute
50809 Field Building
Kansas City, MO 64111



FREE BOOKLET!

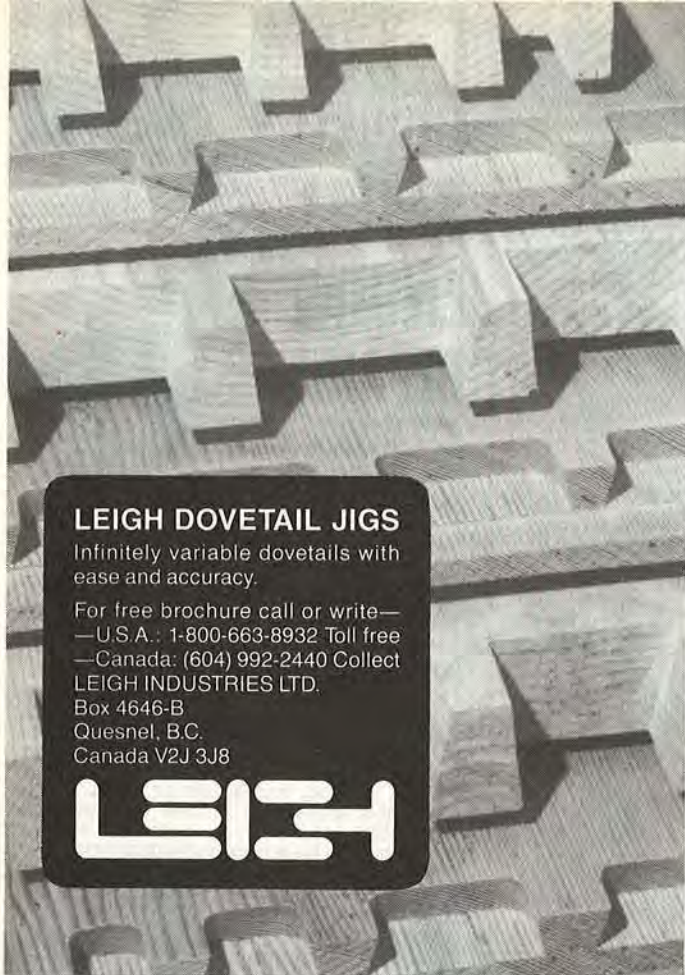
Send for your copy today!

FOLEY-BELSAW INSTITUTE
50809 FIELD BUILDING
KANSAS CITY, MO 64111



YES, please send me the FREE booklet that gives full details about starting my own business in Small Engine Repair. I understand there is No Obligation and that No Salesman will call on me.

NAME _____
ADDRESS _____
CITY _____
STATE _____ ZIP _____



LEIGH DOVETAIL JIGS

Infinitely variable dovetails with ease and accuracy.

For free brochure call or write—
—U.S.A.: 1-800-663-8932 Toll free
—Canada: (604) 992-2440 Collect
LEIGH INDUSTRIES LTD.

Box 4646-B
Quesnel, B.C.
Canada V2J 3J8



The only thing small about this bandsaw is the price!



The new BS-3 Benchtop Bandsaw is BIG...BIG in capacity, performance, convenience *and* quality...yet it takes up just 1½' x 3' of bench space. Its built-in disc sander adds the BIG advantage of sanding right on the saw. BIG 15" throat. BIG 6¼" cutting depth. BIG quiet-running 3-speed motor has plenty of power for Wood, Metal or Plastic. BIG 16" x 18" worktable tilts up to 45°. This BIG 86 lb. Benchtop Bandsaw comes with a built-in vacuum hook-up, a BIG list of accessories (drum and belt sanding, and more) ...and BIG Buyer Protection.

emco USA

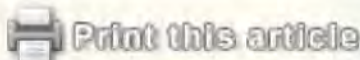
Dept. BW16B • 2080 Fairwood Ave.
P.O. Box 07795 • Columbus, OH 43207

1-800-521-8289

(In Ohio: 614/445-8382)

Call or write today.
If you think that high quality has to mean high price ...you're in for a real surprise.

WOOD ANECDOTE



BRISTLECONE the Methuselah of the pines



The annual growth rings of bristlecone pine provide a fascinating, 9,000-year record of the environment.

Very little vegetation thrives at elevations above 8,000 feet. But the bristlecone pine, *Pinus aristata*, lives thousands of years in the mountains of California, Nevada, Utah, Colorado, New Mexico, and Arizona.

Among these oldest of the world's living trees is a California specimen that actually is named "Methuselah," for the biblical patriarch said to have lived 969 years. This tree has lived over 4,500 years, and still grows!

What secret does the bristlecone pine possess that enables it to thrive on the mountainous habitat it calls home? Gnarled by winds and stunted by the arid ground, these pines manage to survive by, of all things, learning to die slowly.

As bristlecones become old, they concentrate their vigor on a few branches, and thus prolong life. Even when completely dead, they resist decay and stand thousands of years more.

The wood of bristlecone pine yields firewood, fence posts, and mine shaft timbers for local use only. To archaeologists, though, its wood has provided a landmark revelation. By correlating the annual growth rings on both live and dead wood, they have been able to trace back weather patterns, volcanic reactions, fires, and other natural occurrences for 9,000 years.

Most importantly, traces of the radioactive isotope, Carbon 14, found in the dead wood of bristlecone pine at one location, exactly matched the carbon content of an ancient beam in the Mesa Verde cliff dwellings. This discovery allowed archaeologists to correctly date this civilization, and spawned a new research technique.

While the biblical Methuselah contributed only to legend, the bristlecone pine provides mankind with accurate records of the conditions in which it grows... then and now. 🌲

Illustration: Jim Stevenson

EXPANDABLE OAK DINING TABLE

Continued from page 69

is to ensure that the edging sits $\frac{1}{16}$ " above the top of the aprons and legs, avoiding friction when you open and close the tabletop.

2 Cut the aluminum runners (M) to length. Sand or file the corners at a slight radius to remove burrs from cutting and to further ensure a smooth slide. Drill and countersink holes through the runners for $\#8 \times \frac{1}{4}$ " screws to attach the runners to the cleats (L).

3 Insert the aluminum runners into the $\frac{3}{32}$ " groove in E, and measure the distance between the bottom of the tabletop and the top of the runners for the correct thickness of the spacer. Ours measured $\frac{3}{8}$ " (see the Section-View Drawing for help with this). Cut the cleats to size.

4 Align the cleats (L) alongside the slide rails (E) and secure them to the bottom of the tabletop with $\#8 \times 1\frac{1}{4}$ " screws. Now, fasten the runners (M) to the spacers. Take your time aligning and fastening these parts; the outcome will determine how easily your tabletop will open and close.

5 Center and fasten the stop pads (N) to the inside edge of each end apron. Measure in 8" from the inside or closing edge of each half of the tabletop and fasten the stop blocks (O) to the bottom of the tabletop halves.

6 Using a helper, turn the table right-side up. Lay out and mark the position of three table pins in one of the tabletop halves. Using a doweling jig to ensure that the holes are drilled straight, drill $\frac{3}{8}$ " holes $\frac{1}{16}$ " deep. Insert dowel centers and bring the halves together with the edges aligned.

Drill corresponding holes in the other tabletop half, and insert (but don't glue) the pins to check for a proper fit with the halves closed. If the pins align properly, remove them and use this same procedure to mark and drill the leaves. Once all the holes are drilled, glue the pins in position.

7 Remove the stop pads (N) from the bottom of the tabletop. Slide the tabletop sections off the base.

(The table is easier to finish with the top off.)

FINISHING AND FINAL ASSEMBLY

1 Finish-sand the entire base assembly and break any sharp edges on the legs and on the bottom of the aprons. Finish-sand the tabletop halves and leaves.

2 Mask the aluminum slides to prevent getting any finish on them. Stain, if desired, and finish the base, tabletop halves, and leaves. Be sure to finish both the bottom and top of the tabletop halves and leaves. (We left the oak natural and finished it with several coats polyurethane.)

3 Wipe on a bit of paraffin wax to the aluminum stock (M) and into the groove in the rail. The paraffin wax will lubricate the moving parts, helping to reduce friction and ensure smooth-sliding parts.

4 Reattach the top to the base and reinstall the stop pads (N). Using two people, turn the table upside down, being careful not to scratch the finish. Refasten the plywood panel (F) to the bottom of the table and stand the table on its feet.

Buying Guide

● **Table pins.** Turned hardwood pins, $\frac{3}{8} \times 1\frac{1}{4}$ ". Stock no. TP100. 45 cents for 10. Constantine, 2050 Eastchester Rd., Bronx, NY 10461 (or call toll-free to order, 800-223-8087).

● **$\frac{3}{32}$ "-point cutting ogee bit.** Stock no. 9GT25583. \$7.49 from Sears. To order, phone your local Sears store.

● **Aluminum stock.** $\frac{1}{8} \times 1 \times 96$ " rectangular stock. Macklanburg-Duncan stock no. 0741-3123. \$7.98 ea. You can purchase M-D parts at or through Ace Hardware Stores, True Value Hardware Stores, Payless Cashways Home Centers, and other dealers. ♣

Produced by Marlen Kemmet
Project Design: David Ashe, Blueprint Workshop Company
Photographs: Hopkins Associates; Bob Calmer
Illustrations: Bill Zaun; Randall Foshee

EXCALIBUR 24 • EXCALIBUR II Make The Precision Decision

To Order
Call Toll Free **1-800-387-9789**

EXCALIBUR 24™
c/w $\frac{1}{4}$ Hp Var.
Speed Motor
& HD
Stand



SHIPPED UPS
PREPAID
\$1295.
US
NO OTHER CHARGES

Excalibur 24's are working to exacting standards in industrial and commercial settings in schools and other institutions, and in the homes of dedicated hobbyists across the country.

Excalibur Precision Scroll Saws At-A-Glance

	Excalibur 24	Excalibur II
Throat	24"	19"
Cutting Depth Maximum	2 $\frac{1}{2}$ "	2"
Length of Cutting Stroke	$\frac{1}{2}$ "	$\frac{1}{4}$ "
Cutting Speed	6-1800*	1400 Single-800 speed 400 motor* 5-1800 variable-speed motor*
Worktable adjustment Right	20"	45"
Left	45"	45"
Worktable Width	14"	12"
Worktable Depth	24"	17 $\frac{1}{2}$ "
Overall Length	33"	37"
Overall Width	20"	12"
Overall Height	21"	14"
Weight	110 lbs	45 lbs
*Rpm (strokes/minute)		

SHIPPED
FREIGHT COLLECT
\$495.
US
NO OTHER CHARGES

EXCALIBUR II
Less Motor & Switch



The budget-respecting Excalibur II accepts any motor to become the true craftsman's dream with features unparalleled at its price.

VISA SEND FOR OUR CATALOG OF OTHER FINE WOODWORKING MACHINES **MasterCard**

J. Philip Humfrey International

3241 Kennedy Road, Unit 7
Department WM 1/2
Scarborough, Ontario M1V 2J9 (416) 293-8624

I enclose \$1.00 (refundable against purchase). Please rush my catalog.

Name _____

Address _____

City _____ State _____ Zip _____

NEW! HIGH-PRECISION

SCROLL SAW OUTPERFORMS THEM ALL!

30-DAY FREE TRIAL!



Use this high-precision saw to make hundreds of profitable, unusual items...toys, name-bars, filigree work, clocks, holders...the list is nearly endless! Because the Model 1600 cuts so smoothly, sanding is virtually unnecessary!

BUILT FOR THE PROS!

The new Woodmaster Model 1600 gives you a big 16-in. throat capacity, 2-in. cutting depth, a generous, oversize worktable, ball-bearing drive...and much more!

30-DAY FREE TRIAL!

Send for Complete Facts! See how you can use the Model 1600 in your own shop for one full month without risk! Easy terms. MAIL COUPON TODAY!

Call Toll-Free
1(800) 251-4888

SEND FOR FREE FACTS TODAY!



Woodmaster Tools, Inc.
Dept. CW10, 2908 Oak
Kansas City, MO 64108

YES! Please rush my FREE Information Kit and details on your 30-Day Free Trial Guarantee!

Name _____
Address _____
City _____
State _____ Zip _____



Receive A Free Copy Of The American Woodworker 1/3 Off Subscription Offer

If you enjoy woodworking, The American Woodworker is a must for you. It contains projects on three levels: beginning, intermediate and advanced. The plans alone are worth the subscription price. Our subscribers pay approximately 31 cents for each plan. Each project is well illustrated and photographed. Each issue is loaded with information showing in detail how to perform a specific woodworking operation, plus how to build time saving jigs and shop equipment that will save the woodworker hundreds of dollars. Informative articles explain how to compensate for the movement of wood, the basics of carcass construction, how to build a shop dust system for under \$300.00, etc. These are a few examples of the types of articles you can look forward to. Listed below is a summary of what to expect from The American Woodworker.

- Projects on 3 levels
- Large 9x12 size
- All different styles of furniture & projects
- A section on jigs
- Woodworking techniques
- A Question & Answer column
- In-depth instructional articles
- Supply sources, visits, reviews & much more

The American Woodworker is published quarterly in March, June, September, and December so each issue is the type of publication that you will save for years to come. The subscription price is \$10.00 per year, \$18.00 for two years. Subscribe today for two years and we will send you our current issue free. That's a savings of almost 1/3 off the regular price. If you are not satisfied, cancel your subscription and keep the current issue free. Outside U.S., \$14.00 per year, \$22.00 for two years, U.S. funds. You can subscribe for the next year for \$10.00, but your best buy is a two year subscription with a free issue. Imagine the next nine issues (including the Free Issue) for only \$18.00. That's over 72 projects and enough technical articles to fill a good sized text book. Subscribe today. Your satisfaction is guaranteed 100% or your money will be refunded on unmailed copies.

THE AMERICAN WOODWORKER
P.O. Box 1408, Dept. W-5
Hendersonville, TN 37077-1408

Strom Toys



Sarah's Stove

For every young homemaker. A cooking stove with knobs that turn, removable baking racks in both ovens, and a large storage drawer for pots and pans. 36" high, 29" wide, 16" deep. Plan - \$7.50.

Stake Wagon

Large wagon with interlocking stake sides that do not require hardware. Plan includes conversion to sleigh, with separate axles. 38" long, box only, 19" wide, 22" high. Plan - \$8.50



Books Available

Strom Toys - 40 unique designs of wood toys to make. Plans available for all designs. Included in book are 12 mini-plans, and illustrated story you can read to your kids or grandchildren, to help them appreciate the toys. Full Color. - \$9.95.
Gazebos - designs for 55 gazebos, 7 arbors, 13 Strombrellas, 18 birdfeeders and houses. Plus a 12 ft. gazebo plan and 2 birdfeeder plans. - \$7.95.
Backyard Structures - 65 designs include sheds, animal shelters, barns, studios, etc. 8 plans in book. Full Color. - \$8.95.
Privy - 25 designs to use for all kinds of needs, including play-houses. Funny history! 5 plans in book. - \$7.95.
Bridges & Cupolas - Many styles and sizes. 30 footbridge designs, 36 cupolas. 4 plans in book. - \$7.95.
Add \$1.50 for postage and handling on book orders only.



SUN DESIGNS

P.O. Box 206
Dept. 34
Delafield, WI 53018
(414) 567-4255

MONEY BACK GUARANTEE - MC & VISA ACCEPTED



What Are Your Old Tools Really Worth?

Old woodworking tools are one of today's hottest new areas of collecting. Long neglected by all but a few sophisticated insiders, this field is growing rapidly. Several Stanley-Bailey carpenter planes are already selling in the \$500-\$900 range, and an early plow plane sold for over \$6,000 at a recent tool auction. Ronald Barlow has spent the last 3 years working full-time on this guide...amassing photographs, and recording dealer and auction prices from all over the world.

Antique Tool Collector's Value Guide

Just a few of the over 5,000 items described and priced: adzes, anvils, axes, trade catalogs, braces, bitstocks, chisels, cobbler's tools, cooper's items, compasses, dividers, hammers, hatchets, knives, lathes, levels, planes, pliers, plumb bobs, routers, rules, saws, scoops, screwdrivers, shears, spoke shaves, surveying instruments, tinmiths tools, tammel points, wrenches, and wheelwright's items. Over 2,000 illustrations. 1st Ed. • 230 pgs. • 9X12 paperback • Library of Congress #94-50055.

NOW IS THE TIME to identify and price all of your old tools. Just one find could pay for this new book, many times over! Rush check or money order. \$12.95 plus \$1.05 postage.

WINDMILL PUBLISHING COMPANY
2147 Windmill View Rd., Dept#2 - El Cajon, Calif 92020

OFF WITH THE OLD

Continued from page 75

NONCHEMICAL WAYS TO REMOVE PAINT AND VARNISH

Usually, commercial paint and varnish removers offer the best way to strip furniture, but there are a couple of other methods for getting rid of an old finish, and occasionally they make better sense.

Scraping. Artisans who restore pieces for museums often prefer to shave off old finishes with cabinet scrapers, rather than risk subjecting valuable furniture to chemicals and lifting out the original stain, filler, or sealer. Also, some strippers break down old glues, causing joints to weaken. Obviously this process requires highly skilled hands and a lot of patience.

There is, however, one instance when you might want to consider scraping—with an old, badly cracked, flaking, dried out finish. When you can already see a lot of bare wood, especially on pieces such as outdoor furniture that have been exposed to the elements, stripper won't do a very good job because most of the vehicle, which stripper is formulated to liquefy, has already worn off. Fortunately, without a vehicle, the pigment has only a very weak grip on the wood, making it fairly easy to scrape away.

To scrape off a finish, use a cabinet scraper or a pull scraper, working always in one direction with the grain and held at a low angle. Keep a burr on the edge and rub in one direction—toward you. You are in essence shaving off the finish, but you don't want to cut the wood underneath.

Melting. Heat from a propane torch or an electric paint remover offers another, although risky, way to strip away an old finish. With a torch, you use a spreader tip and play the flame over the finish until it begins to buckle and lift, then scrape it off. With an electric paint remover, you hold it close to the surface until the finish softens, then you scrape.

Torching can easily scorch wood, or even set it on fire. Electric paint

removers work only on large flat or gently curved surfaces. Both are more appropriate for large expanses of woodwork, siding, or paneling than they are for furniture.

MANUFACTURER LISTING

Here's a list of some leading manufacturers of remover products. These companies provide information to consumers who write (free of charge, unless otherwise noted):

- W.M. Barr & Co. (Klean-Strip Removers), P.O. Box 1879, Memphis, TN 38101.
- H. Behlen & Bro. (Fire-Fly Remover), Route 30 N., Amsterdam, NY 12010.
- Bix Mfg. Co. (Quick Strip, Bix Stripper, Tuff-Job), P.O. Box 391, Old Hickory, TN 37138. Toll free number for technical advice: 800-251-1098.
- Chemical Products Co. (Kwik Removers), P.O. Box 400, Aberdeen, MD 21001.
- Duffy Products Co. (Duffy's Remover), 3209 1st Ave. SE., Cedar Rapids, IA 52402.
- Dumond Chemicals (Peel-Away stripper-impregnated fabric), 1502 Broadway, N.Y., NY 10036.
- Formby's Inc. (Formby's Paint Remover, Formby's Refinisher), Consumer Services, 825 Cross-over Lane, Suite 240, Memphis, TN 38117.
- General Finishes (Dyna-Strip), P.O. Box 14363, Milwaukee, WI 53214.
- National Solvent Corp. (Nasco Remover), 955 W. Smith Rd., Medina, OH 44256.
- Red Devil Paint and Varnish Removers, 30 N. West St., Mt. Vernon, NY 10550.
- The Savogran Co. (Strypeeze, Super Strip, and Kutzit), P.O. Box 130, Norwood, MA 02062. Enclose \$1.
- Star Bronze (Zip-Strip), P.O. Box 2206, Alliance, OH 44601.
- UGL-ZAR Removers, P.O. Box 70, Scranton, PA 18501. ♣

Written with James A. Hufnagel
Photos: Bill Kern Photography

\$12 AN HOUR
YOU CAN EARN UP TO THAT AMOUNT

Start Your Own Business!
Earn Extra Income Right At Home.



Sharpen Saws...

...ALL Garden and shop tools for home and industry

Get In On The Profits!

Yes there's plenty of business waiting for the man who can professionally sharpen saws and all types of edge-cutting tools. SHARP-All does them all, and at big profit for you. No inventory is involved... no selling. You earn a year-round Cash income and make 90¢ profit out of every dollar you take in. Work sparetime hours or fulltime right at home, and no experience is needed.

Send TODAY for details of our 30-Day FREE Trial Offer!

With SHARP-ALL It's Easy To Get Started!

You don't need to invest thousands of dollars to get started in business for yourself. Low cost Sharp-All and our 50 years of experience in helping sincere men to earn extra income, plus the desire to get ahead is all you need. Complete Operators Manual gives clear, step-by-step instructions, shows exactly how to sharpen each tool, where to get the "tricks of the trade". And Sharp-All does the kind of precision job that brings customers back time after time.

There are NO franchise fees of any kind. With Sharp-All YOU are the boss... YOU set the hours you want to work... you put the profits in YOUR pocket.

FREE BOOKLET!
Send for your copy today. No obligation.

LIFETIME SECURITY
with YOUR OWN BUSINESS

If coupon has been removed, just send us a postcard with your name and address to—



FOLEY-BELSAW CO.
60564 FIELD BLDG.
KANSAS CITY, MO 64111

There is NO OBLIGATION and NO SALESMAN Will Call!



FOLEY-BELSAW CO.
60564 FIELD BLDG.
KANSAS CITY, MO 64111

RUSH COUPON TODAY!

YES, please send me the FREE booklet "Lifetime Security" and full details on your 30-Day Free Trial Offer. I understand there is No Obligation and that No Salesman will call on me.

FREE BOOK

NAME _____

ADDRESS _____

CITY/STATE _____

ZIP _____



MORE PLEASURE PROFIT PRIDE FROM WOODWORKING

The world famous *Constantine Catalog* offers over 2,000 items to help you BUILD, RESTORE, REPAIR, REFINISH anything made of wood!

You can ruin an otherwise perfect job if you're missing the right tool, part, wood or finish. With Constantine's 116 page catalog as your reference guide, you'll be able to choose from over 2,000 unique and hard-to-find items—items that you need and won't find in your local hardware store or lumber supply!

Every item is top quality, reasonably priced and backed by CONSTANTINE'S MONEY BACK GUARANTEE! Choose from 150 kinds of veneer, 118 carving tools and chisels, 32 upholstery tools and essentials, 39 clamps, pages of brass hardware for furniture and cabinets, 72 lamp parts, 96 how-to books, 73 picture kits, 33 styles of prefinished picture molding, 200 sizes and kinds of

cabinet lumber, professional wood finishes, hundreds of plans for furniture, cabinets, shelves, toys... OVER 2,000 ITEMS IN ALL!

116 page catalog—Only \$1.00
SEND COUPON TODAY!
\$2.00 refunded on 1st order.

CONSTANTINE Est. 1812
2054Y Eastchester Road
Bronx, NY 10461
Send catalog—\$1.00 enclosed

Name _____
Address _____
City _____ State _____ Zip _____

introducing...

MERLE®



The NEW Adjustable Corner Clamp

PATENT PENDING

Some of its unique features:

- forces frames into perfect square
- holds frames in square for jointing
- handles frames from 2 $\frac{3}{8}$ " x 2 $\frac{3}{8}$ " to 12 feet around
- creates even jointing
- quickest way to clamp mitres
- adjustable clamping pressure
- sturdy cast aluminum and steel construction

CALL TOLL FREE 1-800-428-2222
(In PA 1-800-222-2292)

VISA or MasterCard accepted
or send check to:

INDUSTRIAL ABRASIVES CO.
P.O. Box 8611, Reading, PA 19603



ANY WAY YOU CUT IT...

NOW YOU CAN DRY IT.

EBAC LUMBER DRYERS

Systems starting at 100 BF

Write or phone for
FREE INFORMATION

1-800-433-9011
or
317-897-2100



Ebac of America

8726 East 33rd Street
Indianapolis, Indiana 46226

SEE-THROUGH PENDULUM CLOCK

Continued from page 80

work surface. Using the form body as a guide, scrape and sand the protruding edge flush with the form body.

8 Again, remove the lamination from the form body. Using a small combination square, mark a line 3 $\frac{3}{4}$ " away from the edge just scraped and sanded. Using a fine-toothed handsaw, cut on the outside of the line just drawn to form an edge parallel with one sanded and scraped.

9 Remount the lamination to the form, and sand the edge that you just cut.

10 To trim the ends of the veneer parallel with each other, rescrew the base (D) onto the body form (A). Position and clamp the lamination back onto the form. Position and clamp a 1 $\frac{1}{2}$ "-wide board at the base of the form. Using the 1 $\frac{1}{2}$ " board as a guide, cut one bottom end of the lamination. Reclamp the board to the other side and cut the other end of the lamination.

11 Sand the lamination smooth. Hand-sand the front and back edges, forming a slight round-over.

MOUNTING THE ACRYLIC FACE AND CLOCK WORKS

1 Cut a piece of $\frac{1}{4}$ " acrylic to 6x13". Position the lamination over the acrylic and scribe the inner outline of the lamination onto it. Using a band saw, cut just outside the scribed line. Now, sand to the line until the acrylic fits snugly into the lamination.

2 To locate the shaft hole for the clock, measure down 3" and in 3" from either side of the acrylic. Drill holes to accommodate the clock shaft and winding key.

3 Position the acrylic $\frac{3}{4}$ " in from the front edge. (We used $\frac{3}{4}$ " scrap blocks and clamped these to the lamination, then clamped the acrylic to the $\frac{3}{4}$ " blocks.) Drill and countersink pilot holes through the lamination and into the center edge of acrylic where shown in the Exploded-View Drawing. Fasten the acrylic to the lamination with #4x $\frac{3}{4}$ " screws. (We used brass

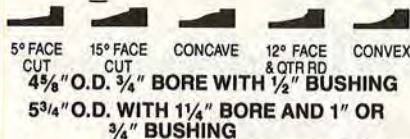
Continued on page 93

DON'T LET THESE PRICES FOOL YOU!

WE OFFER ONLY TOP QUALITY CARBIDE TIPPED ROUTER BITS AND SHAPER CUTTERS



3 WING PANEL RAISERS IN 5 PROFILES—\$69.95 ea.



5° FACE CUT 15° FACE CUT CONCAVE 12° FACE & QTR RD CONVEX
4 $\frac{1}{2}$ " O.D. $\frac{3}{4}$ " BORE WITH $\frac{1}{2}$ " BUSHING
5 $\frac{3}{4}$ " O.D. WITH 1 $\frac{1}{4}$ " BORE AND 1" OR $\frac{3}{4}$ " BUSHING

NO SHAPER?



TRY OUR CARBIDE TIPPED 3 CUTTER-3 STEP ROUTER BIT SET WITH $\frac{1}{2}$ " SHANK AND 3 $\frac{1}{2}$ " O.D. PANEL RAISER. \$179.95

PANEL RAISING BIT IN THIS SET AVAILABLE IN THE 5 PROFILES SHOWN ABOVE AND SOLD SEPARATELY AT \$59.95 ea.



SHAPER CUTTERS
 $\frac{1}{2}$ " BORE \$20 to \$29.95



HEAVY DUTY SHAPER CUTTERS, $\frac{3}{4}$ " BORE WITH $\frac{1}{2}$ " BUSHING \$30 to \$49.95



6-PIECE CABINET SETS
 $\frac{3}{4}$ " BORE WITH $\frac{1}{2}$ " BUSHING \$149.00 to \$189.95

RUB COLLARS W/BUSHINGS, \$22.50

ORDER BY PHONE WITH VISA/MC OR SEND MO. CHECK, VISA/MC NUMBER, EXP. DATE, PHONE NUMBER. CATALOG \$1 — FEATURING OVER 200 CARBIDE TIPPED ROUTER BITS AND SHAPER CUTTERS.

MC/VISA users outside Washington



ORDER TOLL FREE

1-(800) 235-0272 (Orders Only)



CASCADE PRECISION TOOL CO. INC.
P.O. BOX 848, MERCER ISLAND, WA 98040 • 206-236-0272

WOODWORKERS

DOWEL AND TENON CUTTER SETS



4 PC. SET IN WOOD CASE

SALE \$29.95 PPD

FREE CATALOG SUBSCRIPTION WITH PURCHASE.

CATALOG ONLY.

2 year subscription (8 issues) \$4.00.
Free \$5.00 gift certificate with catalog order.

R. A. NESS & CO.

THE WOODWORKERS EMPORIUM

8888 N. MILWAUKEE AVE.
NILES, IL 60648

(312) 824-0565



Announcing The **NEW** Generation VARIABLE FEED RATE PLANER-MOLDER with **SOLID STATE** Electronic Controls!



• **SAVES YOU MONEY!**

Put this versatile power-feed tool to work in your own shop . . . see how fast it pays for itself! Quickly converts low-cost rough lumber into valuable finished stock. Turns out perfect picture frame moldings, quarter-round, casing, tongue & groove . . . all popular patterns . . . any custom design!

- **NEW SOLID STATE CONTROLS!** Just a twist of the dial puts twice as many cuts-per-inch at your fingertips as any comparable planer—from 70 to over 1,000 CPI! This heavy-duty machine will sail through even the toughest oak at higher speeds, or you can slow it down to handle those "hard-to-work" pieces like curly maple, knotty cedar, burls, knees and much more! A valuable feature for molding work, where profiles make sanding impossible.
- **NEW QUICK-CHANGE MOLDING SYSTEM!** Changeover is easily five times faster than any other system. Lets you mold up to six patterns in a single pass!
- **NEW QUICK-CHANGE SANDING SYSTEM!** Quickly converts machine to one of the finest power-feed drum sanders available!
- **NEW QUICK-SET KNIFE SETTING SYSTEM!** Takes the work out of re-setting planer knives . . . allows perfect alignment every time.
- **JOINTER** lets you move from planing to jointing without changeover!



MAIL COUPON TODAY

YES! Please rush my **FREE** Information Kit and details on your **30-DAY FREE TRIAL GUARANTEE!**

Mail To: Woodmaster, Dept. PW10, 2908 Oak, Kansas City, MO 64108

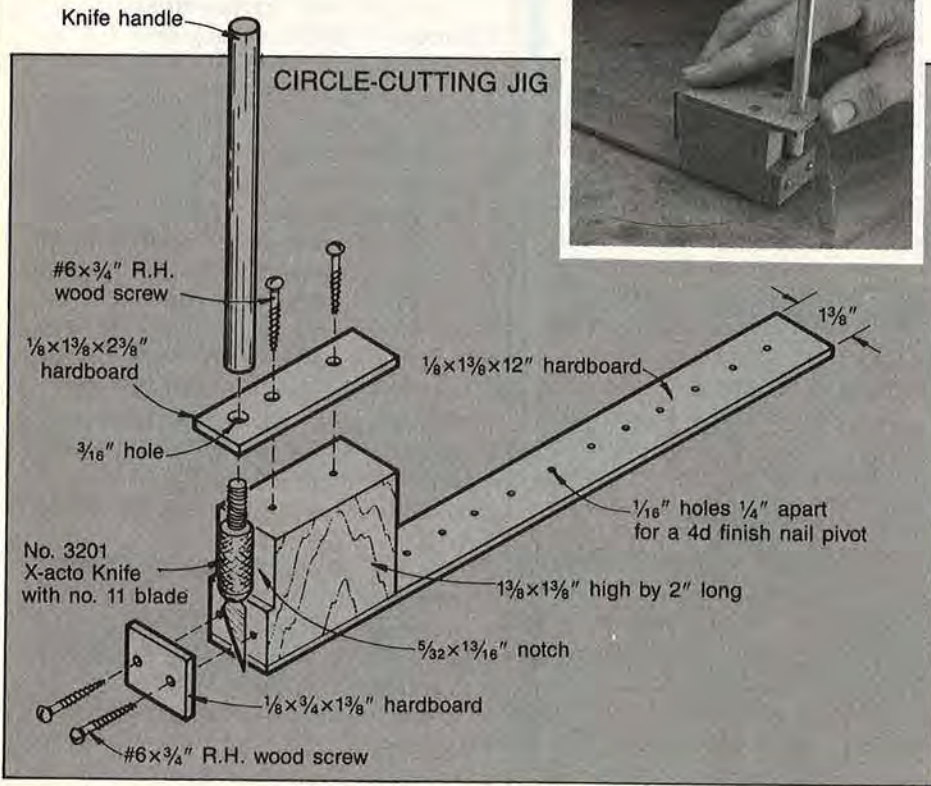
Name _____

Address _____

City _____

State _____ Zip _____

or Call
Toll-Free
1-800-251-4888



SEE-THROUGH PENDULUM CLOCK

Continued from page 90

screws for a classy look, but be careful not to over-tighten and break the screw head off. Brass is soft!) Remove the clamps.

4 Remove the screws and acrylic, and finish the veneer as desired. (We first filled the walnut, applied two coats of sanding sealer, and followed with two coats of gloss lacquer.)

5 Build the jig shown at left. Then cut the round veneer disk to shape as shown in the photo. (After several unsuccessful tries with a compass and an X-act Knife, we came up with the jig shown for perfect circles every time. We used flexible Carpathian-elm burl for the disk. You can use regular veneer and glue it to the clock canister with contact cement, or easiest of all, use adhesive-backed veneer.)

6 Cut holes in the veneer disk to match those on front of the clock movement canister. Attach the

Continued

Whirligigs & more Woodworking Patterns By

Canadian
Goose
TT223
TT201

**Timber
technics™**

Full size, Ready to Trace!

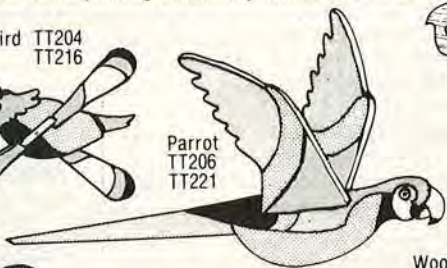
Detail Assembly Views and Instructions. Give your project that extra "character" to make it outstanding.

The birds shown below are available as a Whirligig or as a Wind Mobile. The Whirligig is printed in **TWO** sizes on each pattern and has a propeller "wing or leg" which turns in the wind. The Wind Mobile is balanced from the wings with fishline and will gently "fly" in a breeze or near an open window. Detail painting & assembly instructions included.

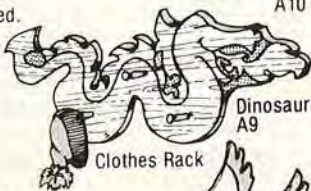
Hummingbird TT204
TT216



Parrot
TT206
TT221



Mythical Animals
A10



Dinosaurs
A9



Wood Duck
TT213 TT207



Seagull
TT208
TT219



Pelican
TT209 TT214

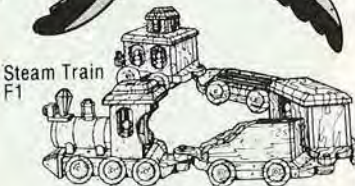
Up-Up & Away
Clock
TT118



Time to Lay
Clock
TT116



Steam Train
F1



Timbers/Lake Tahoe, Inc.
Dept. T1, Carnelian Bay, CA 95711

Catalog with Hundreds of Woodworking Patterns, supplies included **FREE** with any order, \$1.00 alone.

SEE-THROUGH PENDULUM CLOCK

Continued

vener disk to the front of the clock. (We left the veneer disk unfinished; you may want to oil yours to make the swirled-grain pattern really stand out.)

7 Fasten the acrylic to the lamination. Use a clean rag and a bit of glass cleaner to wipe the acrylic clean. Mount the clock movement to the acrylic with the two threaded inserts (included with the clock), then attach the hands to the front of the clock. Read the directions for winding the clock and starting the pendulum.

BUYING GUIDE

● **8-day "Time Only" pendulum movement** (used in the burl-faced clock). 6¼" pendulum. Catalog no. 3361X, \$28.50. **Spade-black hands**. Catalog no. 4904X, \$2.50. Mason & Sullivan Co., 586 Higgins Crowell Rd., West Yarmouth, Cape Cod, MA 02673. To order, call 617-778-0475.

● **Jauch half-hour gong strike** (used in the exposed-movement clock). 6½" pendulum. Catalog no. 2250-S24, \$49. **Spade-black hands**. 110MM, catalog no. 2431-K20, \$1.75. Craft Products Co., 2200 Dean St., St. Charles, IL 60174. To order, call 312-584-2711.

● **Walnut "short cut" veneer**. Walnut short cut veneers are 3' in length and 9" to 12" wide. Item no. 63, 40 cents per square foot. Artistry in Veneers, Inc., 450 Oak Tree Ave., South Plainfield, NJ 07080. To order, call 201-668-1430.

● **Carpathian-elm burl**. Veneer has a thin, tough paper backing that adds strength while preserving its flexibility. 18×24", \$17.50. Bob Morgan Woodworking Supplies, 1123 Bardstown Rd., Louisville, KY 40204.

● **Epoxy**. A super-strong, two-part formula. Sets in one hour, cures overnight. Catalog no. EP665; ½ pint, \$10.75. Constantine, 2050 Eastchester Rd., Bronx, NY 10461. To order, call 800-223-8087. ●

Project Design: Jim Boelling
Photographs: Hopkins Associates
Illustrations: Kim Downing; Bill Zaun

CIRCLE ITEMS OF YOUR CHOICE	PRICE/EA.	TOTAL
Whirligigs: TT201, TT204, TT206, TT207, TT208, TT209	\$1.98/ea.	
Wind Mobiles: TT213, TT214, TT216, TT219, TT221, TT223	1.98/ea.	
Clock/Train: TT116, TT118, TT119, Clocks/TT115 Train	1.98/ea.	
Wheels, Stacks, People for TT115 Train	8.27/set	
Clock Movement for TT116, TT118, TT119	4.75 ea., 23.95/6	
Solid Walnut ½" Tall Clock Numbers	8.98/set	
Clothes Racks: A9 (Five Dinosaurs), A10 (Mythical Animals)	3.98/ea.	
Shaker Pegs for A9 & A10, 3-½" long	.31ea., 21.50/100	
F1 Engine/4 cars, F2, F3 additional cars	3.98/ea.	
Wheels, Stacks, People for F1 Train	17.60/set	
For VISA and Mastercard Orders Call 24 hours 916-581-4141	Sub-Total Calif. Residents Only, 6% Sales Tax \$2.00 Packing Charge Per Order Total Enclosed U.S. Funds (Canadian Orders: add 30%)	\$2.00


NAME: _____
ADDRESS: _____
CITY/STATE/ZIP: _____
PHONE: () _____





Our resident woodworking pro, Jim Boelling, shares tips, commonsense advice, and 20 years of shop know-how.

How 'dead reckoning' keeps sailors and woodworkers true to course

 [Print this article](#)

It was my Navy division officer who opened my eyes to dead reckoning. We steamed out of port one day, and by the next, we were surrounded by sea. I asked him, "How the heck do we know where we are, let alone how to get where we're headed?"

The answer was simple. Our course had been charted from a given: home port. Then our speed and direction were factored in to determine where we were and how we'd get to our destination. I've since found out that what applies to sailors applies to woodworkers, too.

What I mean is this: A project plan on paper is perfect. Nothing can go wrong with it. But as you build it, you can't assume everything is going according to plan. You have to stop and measure, or dead reckon.

Here's an example. You build a shelf system with a few upright supports dividing up the space. Following the plan, you cut full dados as indicated to hold the shelves. But, your shelf stock turns out to be shy of thickness. So, you end up having what I call a "rattling good" fit. Cutting those dados without checking the stock first put a knot in the rope that can't be untied at the end.

Look at the dead reckoning concept as a tool you use to overcome the variables in material, tools, and measurements that always seem to creep in a project.

Materials can throw you off

For one thing, count on *solid stock* to be a variable. It's processed to different tolerances. You can buy 1" stock at one place, and it will be $\frac{13}{16}$ " thick. At another, it will often measure out to $\frac{3}{4}$ ".

Plywood, too, may vary from $\frac{1}{32}$ " to $\frac{3}{64}$ " off in thickness. By in-

dustrial standards, that's OK, but your measurements will be off.

Make your cuts to suit the plus or minus factor of your materials, then measure from there, step to step, as you go. Remember, it's always better to measure twice and cut once.

Hardware also varies a great deal. You can't count on the same mounting clearance for drawer slides from two different manufacturers, for example. You have to buy all your hardware components *before* you begin a project.

Tools don't always tell the truth

Don't rely totally on the tilting-angle and depth-of-cut scales on most power tools. They're only indicators, like idiot lights in your car's dashboard. You must take the time to check all machine setups with an accurate square or folding rule before you use them.

After you've made the cut, dead-reckon the stock that will join it. Maybe you can right a wrong on the next cut. Let's say you made a $44\frac{1}{2}^\circ$ miter cut. On the adjoining piece, cut the miter to $45\frac{1}{2}^\circ$ and they'll mate to a perfect 90°

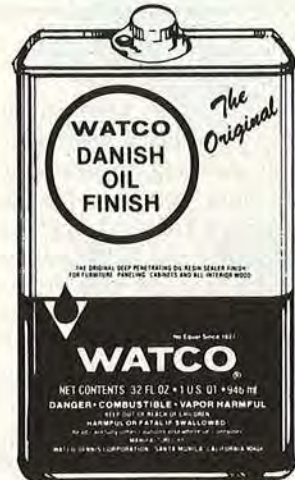
Mistaken measurements add up

Mismeasuring isn't always your mistake. Measuring instruments could have been dropped and dented or become rusty.

Beware of the inch lines on a rule or tape, too. They can be $\frac{1}{32}$ " to $\frac{1}{16}$ " wide. Make it a practice to always use the same part of the line—right edge, left edge, or center.

Finally, use the right measuring tool. Tapes hook over the end of a board. Folding rules measure up against or between two things. Double-check with the opposite tool. Always measure twice—it's part of dead reckoning. 🍷

EASY WOOD FINISHING with **WATCO**[®] *The Original* **DANISH OIL FINISH**



You'll be amazed at how easy it is to finish wood beautifully with Watco Danish Oil. Watco gives wood that natural hand-rubbed look with long-lasting durability. And because Watco is **IN** the wood... not on it like temporary surface coatings... there is no finish that will wear off. Watco Danish Oil is ideal for furniture, antiques, paneling, cabinets, doors, and trim-work. It's also safe for butcher blocks, cutting boards, and children's toys. Choose from 8 beautiful finishes... Natural, and Medium, Dark, and Black Walnut shades, and Cherry, Golden Oak, Fruitwood, and English Oak colors.

Send today for "FREE" color booklet "HOW to Beautifully Finish Wood" and the name of your nearest Watco distributor.

WATCO-DENNIS CORP., 1756-22nd St.
Santa Monica, CA 90404, Dept. BH-W16

Name _____
Street _____
City _____
State _____ Zip _____

213/870-4781

THE CABINETMAKER *and the fallen walnut tree*

It could have happened back then, in just this way:

During a winter storm in the late 1700s, a huge black walnut tree toppled, smashing a chicken house into kindling wood and nine Sunday dinners. The next day, the farmer invited the woodworkers from town to come out and look at his windfall, and to stay for supper as well. The carpenter came, but said that the low-branching, open-grown walnut would be too hard to hew for building timbers. The wheelwright came, but said that the convolutions in the grain would make weak stock for his wagons. The cooper came around, too. He never had any use for walnut, but he wasn't one to pass up a free chicken dinner.

Earlier that year, though, a cabinetmaker had set up shop in the growing town. While others were in the kitchen gnawing the last of the bones, he remained outside, poring over the tangled mess of deep brown bark and emerald fronds.

He looked and thought. He felt the bark and figured in his head.



By Roy Underhill

Master housewright at Colonial Williamsburg and host of the popular PBS series *The Woodwright's Shop*, Underhill is also an author and lecturer.

He walked inside and struck a deal. Everyone was happy now—except for the chickens who had provided the dinner.

Careful sawing for cabinet wood

The cabinetmaker's men soon came for the tree and cut it into lengths exactly where he told them to. They hauled the logs back to his sawpit and spent the next three days sawing it into heavy planks. The cabinetmaker directed the lining out of every cut.

While he was away in the shop, the sawyers carelessly allowed the growing pile of slices to get out of order. There was much grumbling as he insisted that the planks be restacked just as they had been arranged in the tree. Hadn't he made it hard enough already, insisting that they saw straight through the heavy knots and gnarly crotch grain? They were relieved when the job was done, and only slightly amused when the cabinetmaker told them to report back in seven years.

Working the stock—years later

In the spring of 1793, the sawyers went at the walnut again. This time the cabinetmaker had them use a smaller, thin-bladed frame saw, but directed their work with just as much care. They recut some of the planks into strips as thin as $\frac{1}{8}$ "; others they left untouched. Now the sawdust, instead of being green, granular, and heavy, appeared brown and dusty, making them cough and sneeze. Their complaints were nothing, however, compared to those of the apprentice boy, who now had to plane the boards.

The apprentice had never seen anything like it. He had planed straight-grained pine for the cabinetmaker before, and had spent an



Fourth-generation master cabinetmaker Mack Headley works on a Chippendale desk like the one described in this article. The setting is the cabinet shop at Colonial Williamsburg.

extra twenty minutes sharpening his plane iron, but the wood tore out and the plane chattered and jumped as if it were a ball of spit on a red-hot stove. The cabinetmaker heard the accident and ran to stop him before the board was ruined. From his own tool chest (holy of holies!), he chose a plane with its iron set at a high-pitched angle, and for the next hour showed the boy how to follow and ride the flow of the grain as if he were running a canoe down a rocky rapids.

As the boy sweated at one bench, the cabinetmaker stood at another, trying different arrangements of the tan-brown stock. Deliberation soon gave way to delineation, and with folding rule, try square, and frequent reference to a large leather-bound book, he marked each piece before adding it to the stack on his bench.

The wood rejoined at last

The shop was now filled with the sound of sawing and pounding as

Continued on page 99

TOOL CITY

BEATS ANY AD PRICE THIS ISSUE
FREIGHT PREPAID (USA)

MAKITA

ALL MAKITA TOOLS
30-45% OFF • PHONE FOR PRICE

HITACHI

All Hitachi Tools
30-45% OFF • PHONE FOR PRICE

MILWAUKEE

ALL MILWAUKEE POWER TOOLS
25-40% OFF • PHONE FOR PRICE

PORTER CABLE

ALL PORTER CABLE POWER TOOLS
25-45% OFF • PHONE FOR PRICE

BOSCH

ALL BOSCH POWER TOOLS
25-45% OFF • PHONE FOR PRICE

RYOBI

ALL RYOBI TOOLS
25-45% OFF • PHONE FOR PRICE



BIESEMEYER RIP FENCES

40" Home Shop \$199
50" Commercial \$289
Call for other Biesemeyer Products

FREUD

SAW BLADE SPECIALS
FREUD SAW BLADES 10" = 5/8"

Bore Carbide Tipped 12" = 1" Bore

No.	size	teeth	use	list	sale
LU72m10	10"	40	general	\$ 68.58	\$ 34.50
LU73m10	10"	60	cut-off	79.65	35.00
LU73m12	12"	72	cut-off	113.35	76.00
LU78m10	10"	80	plastic	117.02	83.50
LU82m10	10"	60	cut-off	86.40	76.00
LU82m12	12"	72	cut-off	123.36	85.95
LU84m11	10"	50	comb	74.51	37.00
LU85m10	10"	80	cut-off	110.88	62.00
LM72m10	10"	24	ripping	68.58	35.00
DS306	6"		Dado	139.00	94.00
DS308	8"		Dado	179.00	107.00



FREE
WOODEN
CASE

FREUD TOOL SETS

	REG.	SALE
4pc Chisel set	\$ 29	\$ 19
6pc Chisel set	39	29
10pc Chisel set	67	49
8pc turning set	68	49
6pc carving set	75	58
12pc carving set	139	109
Carvers mallet	10	8

ALL FREUD ROUTER BITS & SHAPER CUTTERS 25% OFF

TOOL CITY

14136 E. FIRESTONE BLVD.
SANTA FE SPRINGS, CA 90670

Open Monday-Saturday 8:00 am—5:30 pm

WE SHIP IT FAST!

OUTSIDE CA 1-800-423-7899
INSIDE CA 1-800-826-7819
METRO LA 213-802-1236

or personal check

"I was convinced that no other machine could match its quality or versatility."

The HEGNER Universal Precision Saw has, as the editor of WOODWORKER'S JOURNAL wrote, "propelled (its owners) into a new world of scroll sawing."

HEGNER Scroll Saws will let you saw the most intricate patterns accurately, quickly, without any relief cuts and without major sanding.

A customer wrote:
"After seeing your saw in action I was convinced that no other machine could match its quality or versatility."

The Sport Auto shown at right was made from wood scraps and is just one example of how HEGNER saws can be put to use for pleasure or for profit, or for both. HEGNER offers no gimmicks. Just pure and simple quality, unsurpassed performance, ease of use, reliability and the best warranty. HEGNER - there's only one!

And now, the excellence of HEGNER design and manufacture surfaces again. We are proud to present the

49" HEGNER Woodturning Lathe.



Simplicity, quality and precision are combined in this woodturning lathe to give you the results you expect from HEGNER tools.

The 47" Duplicating Attachment shown with the HEGNER Lathe is without match in terms of precision, quality, and ease of operation. It is mounted on the back of the lathe and allows you to duplicate from an original turning or from a template.

Send for complete information today.

AMI, Ltd.

P.O. Box 312, Dept. 62
New Castle, Delaware 19720

Phone: 302-322-2226



Advanced Machinery Imports

AMI Ltd. is your source for HEGNER Saws, Lathes and Duplicators; FELDER Woodworking Systems; FLOTT Jointer/Planers and Table Saws; and Lachappelle Workbenches.

- Please send me your free brochure on HEGNER saws.
- Please send me your free brochure on HEGNER lathes.
- I enclose \$5.00. Send me the 10" Sport Auto pattern.

Name: _____

Address: _____

City: _____ State _____ Zip _____

Phone No.: _____

DO-IT-YOURSELF KITS

BUILD YOUR OWN GRANDFATHER CLOCK



Prices Starting **\$280**
Under
(including movement and dial)

- Do-it-yourself case kit, parts pre-cut
- Finished clocks
- Solid 3/4" hardwoods: black walnut, cherry, oak
- Heirloom quality
- Factory direct prices
- Solid brass West German chiming movements
- Money back guarantee
- Prompt shipment
- No woodworking experience necessary

WRITE FOR FREE COLOR CATALOG



EMPEROR
CLOCK COMPANY

WORLD'S LARGEST MANUFACTURER OF GRANDFATHER CLOCKS

Dept. 1804, Emperor Industrial Park
Fairhope, Alabama 36532 • Phone 1-205-928-2316

I am interested in Do-it-Yourself Kits
 Finished Clocks

Name _____

Street _____

City _____

State _____ Zip _____

(please print)

A Complete New Combination Kit for Whittling and Carving By WARREN TOOL CO., INC.

BASIC CARVING



In Ten Lessons



Basic Woodcarving lesson book, prepared by the National Carvers Museum, teaches and illustrates proper carving techniques through clear instructions and simple projects.

#COMBI-TCE \$79.95 Ppd.

OUR FINEST COMBINATION WHITTLERS AND CARVERS KIT
Contents: 1 Redwood Box, 1-#CWH-R Rosewood handle, 1-#L-Palm Walnut handle, (one each) #PTV-1, #L.B.G., #S.B.G., #PTV-2, #STC, #STG, #SFTG, #SKU, Gouges, 1-#LD2 (Large Blade), #6SBL (6-Small Blades), 1-Leather Strop Block, 1-Abrasive Paper Block, 1-Instruction Sheet. All blades and gouges sold in their own plastic storage tubes to avoid damage to these honed ready-to-use tools.

WARREN TOOL CO., INC.

Rt. 1, Box 14A-W, Rhinebeck, NY 12572

Catalog 60¢ FREE with order • (914) 876-7817

RECANE for
fun and profit



Recane or re-rush heirloom chairs — for yourself or for others as a profitable hobby — with our full line of materials & instruction books.

Since 1934 America's largest selection of caning & basketry materials & supplies —

- Superior quality weaving cane & machine woven cane
- Flat oval & round reeds
- Fibre & genuine rush
- Danish seat cord
- Raffia, rattan, seagrass
- Hoops & handles

Illustrated catalog with complete how-to-do-it information, prices, order form: \$1 (refundable with 1st order)

CANE & BASKET SUPPLY CO.

1283 S. Cochran, Dept. W, Los Angeles, CA 90019

Wood Ship Models



Build a handsome model worthy of your time and care.

Our scale model wooden ship kits contain only the finest materials for plank-on-frame and solid hull construction. Send \$2 (refundable with purchase) for illustrated catalog of kits, fittings and supplies.



BLUEJACKET
SHIP CRAFTERS

ESTABLISHED 1905

P.O. Box 533 - BH, Shelton, CT 06484

KID'S CONVERTIBLE



IT'S A DESK, BENCH AND TOY CHEST ALL IN ONE! As a desk and bench, there's room enough to seat two children. Made from veneer plywood it becomes a fine piece of solid furniture for kids to enjoy for years. PLANS & INSTRUCTIONS: \$4.00. We'll ship immediately and include a catalog of our other unique and functional projects.

BALLART DESIGN

Dept. 711

4606 S. 600 EAST, SALT LAKE CITY, UTAH 84107

Matching Set Of...

•COUNTERSINKS

•TAPER POINT DRILLS

•PLUG CUTTERS •STOP COLLARS IN ATTRACTIVE MAHOGANY CASE



Set #8 (10393008) contains (5) five Countersinks for the most popular wood screw sizes #6 thru #14 with 3/8" and 1/2" Cutting Diameters. Also includes matching Taper Point Drills, Plug Cutters and Stop Collars.

To drill for the shank and thread of screws, countersink for the heads and, if necessary, counterbore so that wood plug can be inserted over the head.

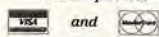
Complete

Delivered
(In U.S.A.)

\$56.80

Rhode Island
Purchasers add
6% Sales Tax

We accept VISA



MasterCard

IMMEDIATE SHIPMENT
FROM STOCK
FULL CREDIT, REFUND OR
REPLACEMENT GUARANTEE
IF NOT SATISFACTORY.

Manufactured by

W. L. Fuller, INC.

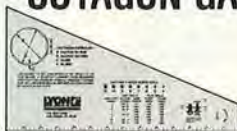
P.O. Box 8767

1 Cypress Street, Warwick, RI 02888

401-467-2900

PROFESSIONAL QUALITY TOOLS FOR OVER 40 YEARS.

22 1/2° OCTAGON GAUGE



TO SET MITER TO SAW BLADE FOR 22 1/2° CUT. HARDENED ALUMINUM GAUGE HAS OCTAGON FORMULAS AND 14" RULER SCREENED ON. ALSO SCREW CHECKER AND INFORMATION.

\$7.95

Plus \$2.00 Handling
and Shipping

California residents add 6% sales tax. Send check or money order to:

LYON

ELECTRIC
COMPANY, INC.

P.O. BOX 81303 SAN DIEGO, CA 92138

DOWELS - PLUGS - PEGS

Manufacturer Direct
Largest & finest selection Oak, Walnut, Hickory, Maple, Cherry, Mahogany, Teak, even Treated Dowels. Quantity discounts.

MIDWEST DOWEL WORKS, INC.

4631 Hutchinson Road
Cincinnati, Ohio 45248

(513) 574-8488

Catalog on request



SHAKER PEGS

Hard Maple 15¢
Red Oak 22¢
Walnut 22¢

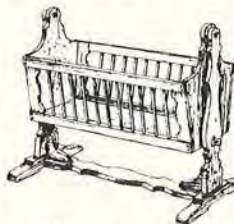
Quantity Prices



Catalogue on Request

SWINGING CRADLE

EASY TO MAKE WITH



Full-Size Plan

Authentic spindle design straight out of Colonial America. Plans show alternate construction with panel sides. Perfect for baby or use for magazines. Size: 20" x 39" x 30" high. Order plan #166 \$9.00

CATALOG

180 diff., full-size prof.
furniture plans—\$2.00
(catalog free with order)

FURNITURE DESIGNS, Dept. BS-16

1425 Sherman Ave., Evanston, Ill 60201

WOODWORKERS

Save on Wood - Tools - Supplies!

OVER
4000
ITEMS

Send for
New 1986
148 Page
Money Saving
CATALOG



Finest Dimensioned
HARDWOODS and
Quality VENEERS

42 Varieties 1/64" to 4" Thickness
Fast service on choice kiln dried
Wood and Veneers, Moldings, Trim,
Hand and Power Tools, Lamp Parts,
Upholstery Supplies, Clock Move-
ments and Kits, Hard-to-Find Hard-
ware, Finishing Materials, Books
... over 4000 items in stock! Crafts-
man—Woodworker's best friend.

\$3.00 Discount Coupon
good on first order.

FREE with Catalog!

CRAFTSMAN WOOD
SERVICE

Dept. K26, 1735 W. Cortland Ct., Addison, IL 60101

Please enclose \$1.00 to help pay postage and handling.

OLD HAND WAYS

Continued from page 96

master and apprentice cut the dovetails to join the pieces together. Three broad walnut boards and one of pine stood ready. Hot hide glue oozed from the joints as they drove them together. The walnut formed the upright sides and top; pine, the bottom, and for the first time the object of all their labor was clear. It was to be a slant-topped Chippendale desk.

The stretchers to separate the drawers came next. Were this Philadelphia, the dovetails that joined the stretchers to the sides would have been covered with a separate facing, but in this small town in the mountains honest joinery showed.

Slowly the cabinetmaker filled the empty spaces in the frame. One by one, the drawers took shape. On the front of each, a faint arc showed where a bend of the old walnut tree was recorded in the grain of the wood. The desk top showed the biggest figure of all, an oval of concentric rings. The sides, when examined closely, had the look of a handful of long, soft feathers. The desk, all wood-work completed, had the dusty look of a ghost. But not for long.

This same walnut in Philadelphia might have awaited a coat of shellac, refined from the imported exudate of a million Asian beetles. This country cabinetmaker, though, scraped the dirt from a block of local beeswax, rubbed it hard into the wood and polished it with a cork until the magic took effect. The faint figures in the wood came to life as purple-chocolate rainbows, bursting medallions, and flames that seemed to burn forever in the depth of the wood.

Six weeks of work spread over seven years now stood completed before the cabinetmaker. The finished piece embodied decades of work, if you counted the years of his own training. Centuries, if you counted the age of the tree. And millennia, if you counted the tradition of the cabinetmaker and his forebears through the ages. ♣



This VET Did It - and YOU Can Do It Too!

"War injuries left me badly handicapped, but now I'm a financial success as a Locksmith, thanks to your training. Besides, the work is fascinating. If I can do it anybody can." — Glen Johnson, Larned, Kan.

Make Up to \$26.00 an Hour — even while learning!

Train FAST at Home!

Be a LOCKSMITH!

If you enjoy fixing things, you're a "natural" to make hundreds of EXTRA DOLLARS a year in the fascinating business of Locksmithing. Rising crime has increased demand for service a thousandfold. Yet there's only one Locksmith for every 17,000 people!

COLLECT CASH PROFITS ALMOST AT ONCE!

You're "in business" ready to make \$10 to \$26.00 an hour a few days after you begin Foley-Belsaw's shortcut training. Easy illustrated lessons complete with ALL practice equipment PLUS

- ALL TOOLS YOURS TO KEEP
- KEY MACHINE YOURS TO KEEP
- EXPERT PERSONAL ASSISTANCE
- BUSINESS-BUILDING HELP

enable you to get your share of this always-profitable business. Hundreds we've trained are doing it. So can YOU.

MAIL COUPON to discover how Locksmithing can keep the extra money coming in during spare time — or in your own full-time business. Ideal for retirement — good jobs, too.

FOLEY-BELSAW INSTITUTE, 10816 Field Bldg. Kansas City, Mo. 64111

N. Hunt, Wilmington, Del. — "I make \$50 a week extra."

R. Davis, St. Louis, Mo. — "I cleared \$110 last Saturday."

Ed Boyle, Pittsburgh, Pa. — "My business going at top speed. I'm moving to bigger quarters."



MAIL THIS COUPON • NO SALESMAN WILL CALL

FOLEY-BELSAW INSTITUTE, 10816 Field Bldg. Kansas City, Mo. 64111



Rush **FREE** book, "Keys to your Future."

Name

Address

City State Zip

THIS DO-ALL PRO KEY MACHINE YOURS TO KEEP!

Can add \$50 to \$100 a week to your income... and doesn't cost you a penny extra!

FREE

PIN ROUTER

Speed and Precision at a Small Shop Price.

With the Award Winning Onsrud Inverted Router, templates are so simple it is economical to reproduce one part or hundreds.

Call or write for our free literature today.



(704) 528-4528

P.O. Box 416W, Troutman, N.C. 28166



HARDWOODS DOMESTIC AND IMPORTED

Veneers

- Boat Lumber • Cabinet Lumber
 Red Oak • White Oak • Ash • Birch • Birdseye • Teak
 Mahoganies • Cherry • Walnut • Maple • Poplar • Basswood
 • Bubinga • Pearwood • Osage • Pines • Padouk • Ramin • Rosewood
 Wenge • Zebrawood • Bocote • Cocobolo • Che Chen • Ziricote
 Oak Mouldings • Dowels • Hardwood Plywoods
 Planing • Rippling • Millwork

No Minimum • Shipments Worldwide
 30 Yr. Member National Hardwood Lumber Assoc.
 Direct Importers of Foreign Hardwoods



United States Mahogany Corp.

746 Lloyd Road, Matawan, NJ 07747

(201) 583-6300

Open Monday thru Saturday

Whether your woodworker's license reads "Beginner," "Intermediate," or "Expert," you're bound to have a few questions about your favorite hobby. We can help. Each issue, we'll consult our experts for answers to your most-asked questions. Send your questions to:

Ask WOOD

Better Homes and Gardens®

WOOD Magazine

Locust at 17th

Des Moines, IA 50336

Letters selected for use will be edited for publication.

LUMBER SHOPPING: HOW TO BREAK THE SECRET CODE

Q. I've seen terms like 4/4 and 5/4, referring to wood dimensions in various projects. How do I know what size wood to use?

—John R. Wither, Williamsport, Pa.

A. You've probably noticed that we don't use those terms in WOOD—we think it's easier to relate to thicknesses stated as 1" (which corresponds to 4/4), 1 1/4" (5/4), and so forth. However, many hardwood lumber dealers do use these terms routinely.

The tricky part is knowing whether you're talking about *rough* or *dressed* (also called "surfaced") lumber. When you go to the lumberyard, specify rough lumber if you'll be surfacing the boards yourself. Otherwise, ask for S2S boards (surfaced on both sides). The chart, below, from the National Hardwood Lumber Association, indicates the difference between rough and surfaced dimensions.

STANDARD THICKNESSES OF SURFACED LUMBER			
Rough	Surfaced	Rough	Surfaced
3/8"	S2S to 3/16"	1 1/2"	S2S to 1 5/16"
1/2"	S2S to 9/16"	2"	S2S to 1 3/4"
5/8"	S2S to 7/16"	2 1/2"	S2S to 2 1/4"
3/4"	S2S to 9/16"	3"	S2S to 2 3/4"
1"	S2S to 1 3/16"	3 1/2"	S2S to 3 1/4"
1 1/4"	S2S to 1 1/16"	4"	S2S to 3 3/4"

BUYING A POWER SAW? TABLE THAT MOTION

Q. What stationary power tool should I buy first for my home workshop—a table saw or a radial arm saw?

—Gil Leinn, Evanston, Ill.

A. Buy the best 10" table saw your budget allows, for a couple of reasons. First, a table saw is safer to use, since your workpiece will be between you and the blade. Second, a table saw is a better training ground for both accuracy of cuts and different techniques—from dadoing to resawing.

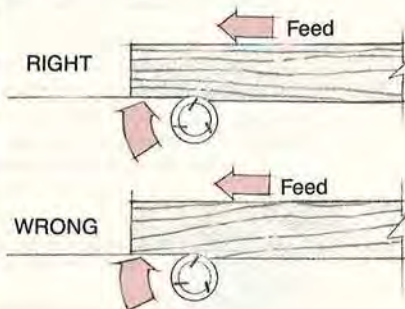
Don't economize by opting for a smaller table saw if you can help it. Most 10" table saws have work surfaces that are large enough to handle any project you'd tackle and you'll be able to make cuts in material up to 3 1/2" thick.

GO WITH THE FLOW WHEN JOINTING EDGES

Q. I have a problem with chipping out boards on my jointer. What am I doing wrong?

—Thomas X. Scott, Indianapolis, Ind.

A. The most common cause of rough edges is feeding against the grain of the wood. Before you start jointing or planing, follow the grain in the board to determine its direction—and then feed in the direction of the grain or the majority of the grain. If you must cut against the grain—or the grain changes halfway down the board—slow your feed rate to compensate for the extra load on the cutting head.



GETTING UP TO SPEED

Q. Can you give me the recommended operating speeds for motors on stationary power tools—I'm buying new motors for used equipment.

—Jim Praszak, Plymouth, Wis.

A. Generally speaking, most stationary tools operate at two speeds: 3,450 r.p.m. for table saws, sanders, and jointer-planers—and 1,725 r.p.m. for drill presses, lathes, and band saws. If you're buying new motors, it's wise to spend \$10-\$20 more for units with ball bearings and built-in overload protection.

WHAT TO USE BETWEEN FINISH COATS

Q. The "experts" at the hardware store can't agree: What should I use between finish coats—#0000 steel wool or 150- to 200-grit sandpaper?

—Peter W. Daniels, Jacksonville, Fla.

A. Here's a happy instance where everyone's right. We recommend that you use steel wool on circular, convex, and concave shapes—and sandpaper on flat surfaces where even the slightest imperfections might be noticeable. To prevent finger streaks from hand-sanding, back the sandpaper with a wood or rubber sanding block.

WHAT YOU DO TO ONE SIDE, DO TO THE OTHER

Q. Is it true in wood finishing that you should finish all sides?

—Robert Allen, Phoenix, Ariz.

A. Since all woods are a little unstable and will change with temperature and moisture variations, it's important to finish all sides *equally*—right down to the same number of finish coats. If you finish one side of a board only, the wood might warp on the unfinished side. The same rule applies to using strippers and fillers. 🌲

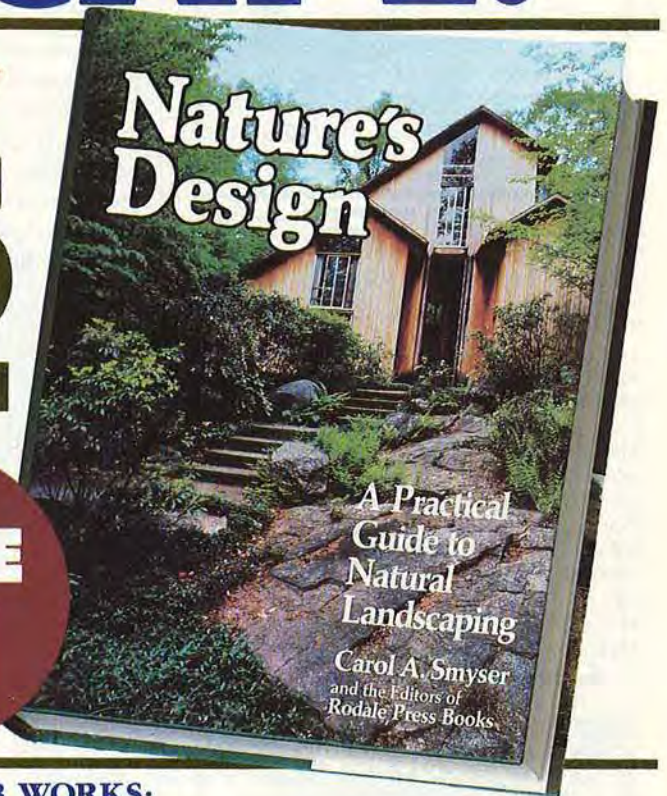
CREATE YOUR "DREAM LANDSCAPE!"

YOURS FOR ONLY

\$1.95

(plus shipping)

**SAVE
\$21**



Now you can get a professionally landscaped *look* without the professional *fee*.

With NATURE'S DESIGN, you'll get all the step-by-step details—plus hundreds of illustrations and colored photos—to help you plan and create the home landscape that best fits your needs and personality.

You'll get ideas galore about ground covers that add beauty and save work . . . native perennial plants . . . patios and walkways—plus creative ways to increase energy efficiency and solve drainage and erosion problems.

All yours for \$1.95—with your risk-free membership in Rodale's Practical Homeowners' Book Club™!

NATURE'S DESIGN gives you a low-cost way to add distinction and personality to your yard!

It is the perfect introduction to Rodale's Practical Homeowners' Book Club—the club that saves you 20% . . . 30% . . . 40% *and more* on some of the best books available for your home.

Whether you long for a remodelled kitchen . . . a deck . . . a sunny greenhouse . . . a solar water heater . . . an exercise room and spa . . . some new furniture . . . a giant garden . . . or *an entirely new home*—this is the only book club that helps you make your "someday" dreams come true—at an affordable price.

HOW THE CLUB WORKS:

As a member, you'll receive our Club Bulletin every four weeks. It includes a special Editor's selection and a wide variety of alternate choices covering many aspects of your home.

If you want to receive the Editor's selection, you don't have to do anything—it will be shipped to you auto-

matically. If, however, you don't want it, or you want another of our selections, there will be an instruction card enclosed for you to fill in and mail back to us.

You never have to buy a book you don't want. Each comes to you on a 15-day free examination basis.

SS686

FREE
15-DAY
EXAMINATION!

YES! Please enroll me in Rodale's Practical Homeowners' Book Club and send me my copy of NATURE'S DESIGN. I understand you'll bill me for only \$1.95 (plus shipping). I agree to purchase two more books at special club prices during the coming year and may resign anytime after that. **NO-RISK GUARANTEE!** If you're dissatisfied for any reason, you may return NATURE'S DESIGN within 15 days. You'll owe nothing, and your club membership will be cancelled.

671

NAME _____

ADDRESS _____

APT. # _____

CITY _____

STATE _____

ZIP _____

Clip and mail to: **Rodale's Practical Homeowners' Book Club™**
P.O. Box 10627, Des Moines, IA 50336

EASY TO BUILD

PINE
BATHROOM
ACCESSORIES

#483



theWORKSHOP
BLUEPRINT COMPANY

\$7.25

P.O. Box 65725
West Des Moines, Iowa 50265

Plus \$1.50 Postage & Handling
Iowa Res. Add Sales Tax

PANEL RAISER™

Zac's carbide tipped **PANEL RAISER™** bits come in 3 styles, OGEE, COVE, & PROVINCIAL. All 1/2" shank bits are 3-1/2" in diam. w/BB & give a full 1-1/2" raised panel. \$99.50 ppd. All 1/4" shank bits are 2" in diam. & give a 1" or larger raised panel cut. \$65 ppd.

To order CALL
800-441-0101
in NY call
212-947-4496.

ZAC

PRODUCTS INC.

533 WEST 34 ST.
NYC, NY 10001

Create A Classic



Full size patterns for Packard Le Baron and 1929 Chevy Truck, plus a catalog of over 100 wooden toy patterns, wooden wheels, axle pegs, people, and other hardwood turnings.

Send check or money order for \$10.00 for both patterns and catalog, or \$1.50 for catalog.

TOY DESIGNS - Dept. BW285, Box 441
Newton, Iowa 50208

QUARTZ

CLOCK MOVEMENTS AND ACCESSORIES

- 5 YEAR GUARANTEE
- FREE Hour & Minute Hands
- 4 Shaft Lengths
3/8" 9/16" 3/4" 7/8"

1 + \$5.80 5 + \$4.60 10 + \$4.20 25 + \$3.60

SECOND HANDS 1 + .30 50 + .25
ADDITIONAL CHARGE FOR SHIPPING

PRECISION MOVEMENTS



2024 Chestnut St., P.O. Box 689
Dept. G, Emmaus, PA 18049
(215)967-3156

DEVELOP YOUR **SHOP SKILLS** Print this article

How to properly tighten handscrews

Handscrews—or parallel clamps—have several things going for them. First, unlike any other clamp, they can easily clamp parts that meet at odd angles. Second, they provide greater reach than most metal clamps. And if that weren't enough, they tend not to crawl or mar project surfaces when they're tightened.

Handscrews are produced in a dozen sizes. Maximum jaw openings range from 2" to 17", and reach (the distance from the front spindle to the jaw end) varies from 2" to 12". The hard maple jaws and cold-drawn steel screws last a lifetime, and have outlived many a woodworker.

If you have never used a handscrew, figuring out how to properly tighten one can be perplexing. But like most everything else, it's not hard once you know how to do it.

Clamping parallel surfaces

Start by making sure the jaws run parallel to each other. The best way to do this is to start with the jaws closed. Also, always hold the clamp the same way—grasp the rear handle in your right hand and the front handle in your left. With the

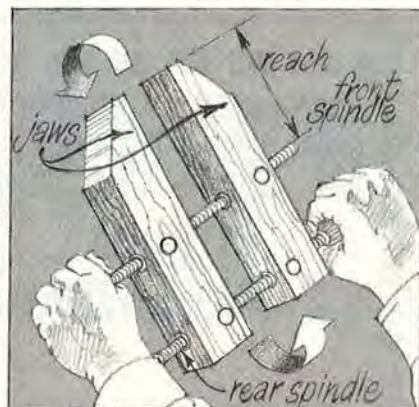
around. To open the jaws, "pedal" backward.

When clamping an object, adjust the jaws until they are slightly wider than the item being clamped, then position the handscrew with the front spindle as close to the work as possible.

With the jaws parallel to each other, and just slightly wider than the object being clamped, close the front spindle until it is finger-tight on the object, as shown below.



Now, grasp the front spindle handle and tighten it another 1/8 of a turn, as shown in the photo below.



clamp in hand, extend your arms, and imagine that the clamp handles are pedals on a bicycle. To close the jaws, "pedal" forward, rotating your wrists to spin the handscrew



Apply final pressure to the object being clamped by tightening the handle on the rear spindle as shown below. (The jaws of the handscrew must sit flush on the workpiece to distribute pressure evenly along the length of the jaws.) Closely eyeball

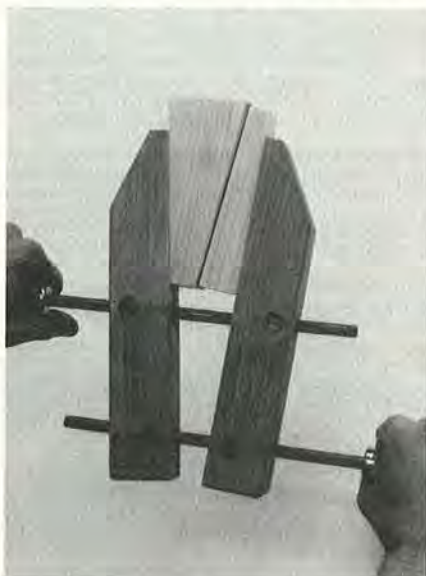
the mating to check for continuous contact between the clamped project and the maple jaws. Light peeking through either near the jaw end or the front spindle indicates uneven pressure and may require adjustment or reclamping. It only

takes a few practice clampings to get the "swing" of these versatile clamps.

Clamping projects at an angle

The goal remains the same when you clamp irregular objects: to bring as much of the jaw surface as possible in contact with the project being clamped.

Start by "pedaling backwards" to open the jaws. Turn either the front or rear handle to make the jaw ends come together or move apart at an angle. Adjust this angle to match the object being clamped (see photo at left). Place the clamp on the object and tighten either the front or rear spindle for continuous contact between both jaws and the clamped object. If "slippery" glue causes the pieces to slide, separate them and let the glue get a little more tacky before clamping. 🌲



Photographs: Larry Clayton
Illustration: Jim Stevenson

Special Offer to Wood Magazine Readers

Only \$235
Satisfaction Guaranteed

Now you can own a classic European workbench.

These fine quality benches are made in West Germany to our demanding specifications. Featuring traditional design and hefty construction—you'll quickly realize a dependable bench can be your best helper.

- Solid European beechwood laminated top.
- Stable work station for boring, planing, routing, sawing, carving, and joint making.
- Leg stretchers have doweled tenons and adjustable bolts for rigidity.
- Rugged shoulder and tail vises have solid steel guide rods, and threaded main screws.
- Hardwood vise faces will not mar your projects.
- Two solid steel dogs with position springs—FREE.
- Full length recessed tool trough.
- Large capacity front storage drawer.
- Shipped freight collect and K/D for quick one wrench assembly.

Two models available to meet your workshop needs. Our Craftsman model features reinforced legs and larger capacity vises (see specification chart).

Credit card orders call 800-225-1153

- Handyman Model 25A50-RW \$235 freight collect.
 - Craftsman Model 25A60-RW \$345 freight collect.
- Massachusetts residents add 5% Sales Tax.
Send check, or charge to Visa MC Amex

Acct. # _____ Exp. Date _____

PLEASE PRINT Name _____

Address _____

City _____ State _____ Zip _____



- Please send me your FREE tool catalog.

Woodcraft Supply Corp. Dept. WBH16
41 Atlantic Ave., Box 4000, Woburn, MA 01888



Specifications

Model	Handyman	Craftsman
Height	33 1/2"	33 1/2"
Width to trough	16 1/4"	17 1/2"
Width of trough	4 1/2"	5 1/4"
Working length	46 3/4"	76 1/4"
Front vise capacity	3 1/2"	5"
Tail vise capacity	3 1/2"	5 1/2"
Top edge thickness	3 1/2"	3 7/8"
Top center thickness	1 1/2"	1 1/2"
Weight	89 lbs.	152 lbs.
Working surface	7 sq. ft.	12.4 sq. ft.
Price	\$235	\$345



Information



Print this article

WORTH WRITING FOR

You can get useful ideas and product information by mail. Use the coupon in this section to order your choice of literature listed below.

SCROLL SAW AND LATHE INFORMATION — More than 20 pages of information, including full-color photos, on HEGNER precision scroll saws, HEGNER lathes, and HEGNER duplicators. Find out why these machines are considered state of the art, and what to look for when shopping for scroll saws or lathes. AMI, LTD. \$1.00. *Circle No. 2.*

WOODWORKING PROFESSIONALS ONLY — Now save 50% on machinery, 70% on operating costs! How? By using the world's finest production quality universal machine. Commercial durability, utmost precision, set-up in seconds. No other tool combines usable capabilities like FELDER. Thousands sold all over the world. Now available in America through AMI. Send for brochure. AMI LTD. \$1.00. *Circle No. 3.*

OVER 400 WOODWORKING DESIGNS — We now offer thirty-one packets of blueprint plans and full-size patterns with both the home and commercial craftsman in mind. Enjoy making toys, games, children's items, whirligigs, folk art, plaques, magazine racks, shelves, kitchen and household items, birdhouses, plant stands, and more. Simple enough for the beginner, fun and profitable for the pro. Send for illustrated brochure plus sample pattern. AC-CENTS IN PINE. \$2.00. *Circle No. 12.*

THE AMERICAN WOODWORKER MAGAZINE — offers projects on beginning, intermediate, and advanced levels in each issue. Also included are in-depth instructional articles on all phases of wood-working, plus general interest articles. We will offer plans for jigs and fixtures for your shop. A one year subscription is only \$10.00 (inside U.S.). Send for our brochure giving complete details plus a coupon good for 1/2 off the regular price. THE AMERICAN WOODWORKER. \$1.00. *Circle No. 45.*

TOOL CATALOG — Available from Anglo American Enterprises, the world famous Record Marples Tool Catalog featuring the finest woodcrafting tools available. Send for catalog and price list. AN-GLO AMERICAN ENTERPRISES CORP. \$2.00. *Circle No. 50.*

WOODWORKERS' PLANS AND SUPPLIES — Wood projects are simplified with the high quality plans, specialty hardware and other supplies offered by Armor Products. Over 100 plans are available for making toys, desks, clocks, pool tables, lamps, chests, and other furniture. Movements, dials, moldings, ornaments, and hardware also available. ARMOR PRODUCTS. \$1.00. *Circle No. 60.*

WOOD ENTHUSIASTS — Our catalog is loaded with products. Select domestic, exotic, and dyed veneers, inlays, marquetry patterns and kits, game boards, picture faces, carving sets, clock kits, veneering tools, power tools, glues, finishes, "how-to" books, sculpture kits, ducks, birdhouses, furniture plans, and more. Send for our woodworker's catalog. Price of the catalog is deducted from your first order. ARTISTRY IN VENEERS, INC. \$1.00. *Circle No. 65.*

DISCOVER VENEER — Artistry in Veneers' do-it-yourself guide to veneering shows you how simple it is to master this craft. Our color brochure identifies the most popular species of veneer and educates you on veneer matching, taping, and gluing. Send for your introductory brochure. ARTISTRY IN VENEERS, INC. 50¢. *Circle No. 66.*

CATALOG OF PLANS AND KITS — A selection of functional projects, unique gifts, and decorative pieces for home or office. Included are a sandpile scooper, super bunk beds, miniature two-story out-house, birthday calendar, and many more. See our

ad elsewhere in this issue. BALLART DESIGN. \$1.00. (Refundable) *Circle No. 100.*

CEDAR CHEST KITS — 32-page, full-color catalog of our pre-cut, ready to assemble kits featuring our solid wood aromatic cedar chests. We also carry a full line of kits for gun cabinets, tables, chairs, etc. in a variety of solid woods, including walnut and cherry. All kits come complete with instructions and hardware needed for assembly. BEDFORD LUMBER CO. \$2.00. *Circle No. 110.*

SHIP MODEL KITS — Fully illustrated 32-page catalog of scale ship model kits from America's oldest model ship company. Build a beautiful museum quality model ship with the simplest tools and average skills. BLUEJACKET SHIP CRAFTERS. \$2.00. *Circle No. 130.*

ABOUT COATED ABRASIVE PRODUCTS — A brochure dealing with a better understanding about the basics of coated abrasive products. Topics include: abrasive materials, grading, adhesives, coating, trade names and identification, general use, and storage. The basic information is presented clearly and simply. Lots of good useful information - both interesting and informative. BRADY SUPPLY CORP. \$1.00. *Circle No. 144.*

FREUD HAND TOOL CATALOG — An exciting new line of precision hand tools. These tools reflect the fine quality of craftsmanship, durability, and performance that you have always associated with Freud products. From choice boxwood to chrome vanadium steel, these tools exceed all expectations of precision woodworking instruments. BRADY SUPPLY CORP. \$1.00. *Circle No. 145.*

EXTRAORDINARILY BEAUTIFUL HANDTOOLS — Solid brass and exotic rosewood handtools built in America by Bridge City Tool Works. Each precision tool featured in this 4-color catalog is manufactured to very demanding tolerances. Each is handmade and flawlessly finished. Bridge City Tool Works makes tools for people who care, the discerning craftsman. Send for 1985/86 catalog. BRIDGE CITY TOOL WORKS. \$1.00. *Circle No. 147.*

CANE AND BASKET SUPPLIES — Every item used in caning and basketry is pictured in this new catalog for hobbyists and others interested in caning, rushing, etc., for either fun or profit. CANE & BASKET SUPPLY CO. \$1.00. *Circle No. 230.*

CARBIDE TIPPED ROUTER BITS AND SHAPER CUTTERS — Over 200 router bits and shaper cutters displayed in catalog featuring 6 piece cabinet sets, 3 piece 1/2 in. shank router bit panel raising system, and 3 wing industrial shaper cutters. Shaper cutters available in 1/2 in. through 1-1/4 in. bore with bushings. Router bits offered in 1/4 in. and 1/2 in. shank. CASCADE PRECISION TOOL CO. \$1.00. *Circle No. 245.*

CLOCK MOVEMENTS CATALOG — The 55-page catalog contains over fifteen different quartz clock movements, including pendulum, strike, and chime movements. Also shown are dials, hands, numerals, and accessories. It features movements made in Japan by the world's largest producer of quartz timepieces. CAS-KER CO. \$1.00. *Circle No. 250.*

MAKE WOODEN CLAMPS AND SAVE 60% — Kits and plans for 8, 10, and 12 in. wooden handscrew clamps. Acme threaded steel rods, components, handles and full-sized plans provided. Kits also available with uncut and pre-cut maple jaws. You decide how much you want to save. Also available in our beautiful color catalog are hundreds of plans, kits, parts, and supplies for toy, wood, and furniture projects. CHERRY TREE TOYS, INC. \$1.00. *Circle No. 259.*

MAKE WOODEN TOYS AND PROJECTS — Hundreds of plans, kits, colored and unfinished hardwood parts for all types of toy, craft, and furniture projects (Colonial, Shaker, Primitive, and Modern).

Also available: tools, wood, finishes, and supplies. For novice to experienced woodworkers. Bulk prices available. Send for beautiful color catalog subscription. CHERRY TREE TOYS, INC. \$1.00. *Circle No. 260.*

WOODWORKERS TOOLS AND MATERIALS — 116-page catalog offers fine hardwoods, veneers, inlays, picture molding, wood finishes, carving blocks, cabinet hardware, and cane. Specialty woodworking tools, shop equipment, plans, instruction books. ALBERT CONSTANTINE AND SON INC. \$1.00. *Circle No. 270.*

BUILD HEIRLOOM CLOCKS — Now create beautiful heirloom quality clocks right in your own home. Choose from magnificent chiming grandfather clocks to charming wall clocks. 32-page catalog also offers a selection of music boxes, music movements, traditional barometers, and a huge variety of quartz movements and dials for custom clock building. Satisfaction guaranteed. CRAFT PRODUCTS CO. Free. *Circle No. 273.*

WOODWORKERS! HELP CELEBRATE OUR 55TH YEAR OF SERVICE — Send for our new 148-page Craftsman 1985 catalog. 42 varieties of choice hardwoods 1/64-in. to 4-in. thickness. Fine hardwood veneers, tools, moldings, trim, marquetry inlays, upholstery and lamp supplies, finishes, clock kits, and hard-to-find hardware. 4,000-plus items for your projects. CRAFTSMAN WOOD SERVICE CO. \$1.00. *Circle No. 275.*

WOODEN TOYS FOR FUN AND PROFIT — Build quality toys from plans that reflect close attention to all dimensions and instructions needed for you to make the complete toy. A 12-page illustrated catalog shows plans for modern-style trucks, pull toys, trains, rocking horse, and more. D & E CRAFTS. \$1.00. *Circle No. 300.*

SIMPLE SYSTEMS FOR WOOD STAINING AND FINISHING — A 24-page, 4-color booklet gives plenty of helpful tips for better results. Included are tips on how to apply a barto finish in one day, prevent wood from yellowing, create stain colors, apply water clean up stains and finishes, and more. DEFT, INC. 50¢. *Circle No. 315.*

DELTA MACHINERY CATALOG FOR BUILDING TRADES AND HOME SHOPS — a source for quality wood and metalworking machinery for the do-it-yourself and professional craftsman. A complete line of saws, drill presses, grinders, jointers, lathes, shapers and accessories. Send for 44-page catalog. DELTA INTERNATIONAL MACHINERY CORP. Free. *Circle No. 317.*

BUILD IT YOURSELF — Why buy it when you can build it? Illustrated catalog of hundreds of interesting and fun items you can create yourself for personal use or profitable sale. Our 1986 catalog contains toys, games, plaques, puzzles, birdhouses, planters, accent furniture, and much more. All patterns are full-size blueprints — no enlarging is necessary. Simply trace and create. DESIGN GROUP. \$1.00. *Circle No. 320.*

DO-IT-YOURSELF LUMBER DRYING — This 22-page booklet *Kiln Chamber Construction Guide and Operation Manual* is designed for the individual wishing to dry his own lumber with a minimum investment of money, time, and space. Included are principles of dehumidification lumber drying, selection of which dryer is best for you, and kiln chamber plans and construction information. Also you will receive a questionnaire you can fill out and return. Once completed and returned you will receive free a computerized evaluation of your drying needs including investment considerations, operating costs, and payback. EBAC OF AMERICA, INC. \$5.00. *Circle No. 400.*

MULTI-PURPOSE HOME WOODWORKING SYSTEM - The Emco Star-2000 is a table saw, band saw, moulding machine and disc sander and you can change operations in less than 30 seconds.

WOODWORKERS

FULL SIZE PATTERNS

Simple to make – Fun – Profitable

- 75 pattern packet plus "Shop Secrets"
- Over 50 "Folk Art" patterns
- 6 "Wind-Action" whirligigs packet
- 40 craft plaques plus projects
- 8 child pleasing aircraft packet
- 6 decorative magazine racks

Send \$6.00 per blueprint packet or choose any 3 FOR ONLY \$12.00.

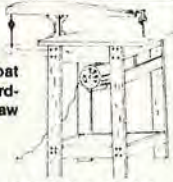
ACCENTS, Dept. MA16
P.O. Box 262
Danvers, MA 01923

Brochure of 400 designs \$2.00
(Free with order)



NEW! AFFORDABLE 24" KIT SCROLL SAW

FINALLY — At last a 24" throat precision scroll saw that is affordable to any woodworker — saw complete or kit form.



PEDAL SCROLL SAW

Beautiful all cast-aluminum reproduction of the time proven Velocipede No. 2 Scroll Saw. Great attraction when working craft shows. Total speed control. 24" throat can cut material modern scroll saws can't. Write or call—

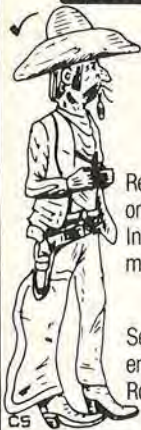


THE TOOL COMPANY
1306-G South Commercial
P.O. Box 629, Dept. BHG-7
Harrisonville, MO 64701
(816) 884-2679

Mo. res. add 5.625% sales tax

National Carvers Museum

LEARN
WOODCARVING
AT HOME



Receive sample instructional pack on whittling and woodcarving. Includes copy of *Mallet* monthly magazine.

Send \$1.00 to The National Carvers Museum, 14960 Woodcarver Rd., Monument, CO 80132.

Bruce Bambara



To Explore, Enjoy, and Protect. . .

You and I share a great love of this earth. The ocean's pounding surf, Spring covering the earth with that season's newness, a bird's song reaching out. . . and we are moved.

We enjoy the earth's beauty, its grandeur. The endless sweep of colors, and sounds, and everywhere, the excitement of life.

And we of the Sierra Club join together to protect the earth.

We invite you to join with us. To explore, to enjoy. To protect this wondrous earth. For all of us. . . forever.

For membership information, write Sierra Club, 530 Bush Street, San Francisco, CA 94108, (415) 981-8634.



Sierra Club

FREE

100's OF PARTS! WORKSHOP ORGANIZERS

FREE \$18.95
hardwood parts
ORGANIZER
with purchase of our
woodworking or toy-
making parts selec-
tions. Parts are priced
below our catalog
prices. Send \$47.95
ppd. for either wood-
working or toymaking
parts (please specify)
and receive \$18.95
organizer FREE! Visa
& M/C. Color catalog \$1. (614) 484-4363



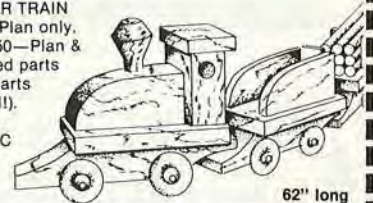
12"X16"X10"

Cherry Tree Toys, Box 369-409, Belmont, OH 43718

MAKE TOYS & WOOD PROJECTS

7 CAR TRAIN

\$6—Plan only.
\$27.50—Plan &
turned parts
(92 parts
in all).
Visa
& M/C



62" long

100's of plans, kits, colored & unfinished hard-
wood parts for toys, crafts & furniture; plus tools,
wood, finishes & supplies. Bulk prices available.
Color catalog subscription \$1. (614)484-4363

Cherry Tree Toys, Box 369-9, Belmont, OH 43718



BUILD A LEGEND

The CONCORD STAGE COACH, a symbol of the early West. This 1" scale miniature was detailed from an original coach built in 1849. Build this picturesque miniature using our full-size cutting patterns, photos, assembly views and instructions. \$14.95.

1" Scale CONESTOGA WAGON PATTERN.....\$14.95.

"MAKING MODEL HORSE-DRAWN VEHICLES" by John Thompson paperback, includes plans and techniques for miniatures \$14.95. (With this ad only—both patterns \$25—all 3 items \$35.95.) Include \$2 for hdg. insr. Catalog \$1—free w/order. MasterCard accepted \$20 minimum.

Criss-Cross Box 324BP Wayne, N.J. 07470



Send For New 36 Page Woodworkers Catalog!

Bonus Offers &
FREE gift deals included!

- 101 Veneers, Burls, Flexibles
- Lathe Squares For Turning
- Carving Blocks
- Toymaking Supplies
- Cane, Rush, Splint
- Dowels, Spindles, Buttons, Pegs
- Fancy Tops and Faces Made To Order
- Hardwoods
- Patterns
- Books
- Inlays

I Enclose \$1.00 - Please rush my new Woodworker's Fantasia catalog of needed supplies, and Free gift offers immediately.

Name _____

Address _____

City _____ State _____

Morgan Woodworking Supplies, Dept. W06M13-D
1123 Bardstow Rd., Louisville, KY 40204

If you would like more
information about
advertising in *Wood*,
contact:

Jerry Kaplan
750 Third Avenue
New York, NY 10017

212-551-7099

JWC*

*The JAPAN WOODWORKER'S Catalog is loaded with the best tools you can get your hands on. Unlike other suppliers, at the Japan Woodworker, Japanese woodworking tools are not a sideline. We are the original supplier of these tools to the Western woodworker. In our catalog you will find a complete selection of Japanese tools for the woodcarver, carpenter, and cabinetmaker. For those of you who want the finest tools money can buy, our "Tools as Art" section will be of particular interest. Send \$1.50 for our catalog and supplements during the next two years.



THE JAPAN WOODWORKER 1731 Clement Ave., Alameda, CA 94501 / Phone (415)521-1810

CLASSIC CAR PLANS

Easy To Build Full Size Plans



FOR CATALOG OF AVAILABLE FULL SIZE PLANS • SEND \$1.00 TO:



Route 6
Box 29
Neosho, MO
64850

WOOD TOY

- ★ Patterns
- ★ Parts
- ★ Wheels
- ★ Many New Patterns to Choose from.
- ★ Executive toys

SEND \$1.00 FOR NEW CATALOG & RECEIVE COUPON FOR FREE WHEELS & AXLE PEGS.



toys and joys

Box 628W Lynden, Wash. 98264

—Rare— MACASSAR EBONY

MAGNIFICENT GRAIN,
high figure or subtle.

MATCHLESS DIMENSIONS,
1" up to 9" thick, 4" up to 20" wide.
Random lengths to 9 feet. Best
selection available in the U.S.

LOWEST COST from a DIRECT
IMPORTER. NO MINIMUM ORDER.

A. Eisenbrand, Inc.

4100 Spencer Street, Suite E
Torrance, CA 90503

(213) 542-3576

Skilcraft™

P.O. BOX 397, DEPT. W-1
JEWETT CITY, CT 06351

A Complete Catalog of Hard to Find WOODCRAFT SUPPLIES

Send \$1.00 for
NEW
CATALOG
REFUNDABLE
WITH ORDER

Toile Supplies
Stencils
Paints & Brushes
Woodburning Tools
Woodcarving Tools
Kits & Plans
Hardwood Parts
Spindles - Pegs
Wheels - Toy Pieces
Hardware
Tools
Much More!

SAVE \$100'S ON ARMOIRE! FULL-SIZE PLANS



FOR 3 SIZES

Loads of storage space with 68" h x 20" d Armoire. Has 6 deep drawers and adjustable shelves or shelves only for TV-VCR. Can use tie-bar or mirror inside doors. Plans and directions for all 3 widths: 36", 42", 48", ONLY \$11 on Money-back Guarantee. Send for FREE illustrated furniture catalog.

FLEXIPLANS, Dept. GK
48 Lowell St., Westwood, NJ 07675

Van Dyke's

Presents a
Catalog

with supplies for
upholstery, antique
restoration, wood
working, caning,
brass hardware,
carvings and many
related trades!



36 Years in Creative Arts & Trades

Many Hard-To-Find Items!

SEND \$1.00 FOR CATALOG TO:
Van Dyke's Restorers
Dept. D55 - Woonsocket, SD 57385

CLOCK COMPONENTS



QUARTZ CLOCK MOVEMENTS

WE FEATURE BATTERY, PENDULUM, CHIME QUARTZ MOVEMENTS OF ALL TYPES. UR-GOS, HERMLE, GRANDMOTHER, GRANDFATHER CABLE DRIVE AND CHAIN DRIVE, KEY WIND MOVEMENTS OF ALL TYPES. 400 DAY CLOCKS, MUSIC BOX MOVEMENTS, FLAT AND BEZEL TYPE DIALS—PLUS A VAST ASSORTMENT OF WEATHER INSTRUMENTS. HUNDREDS OF CLOCK ITEMS. VERY COMPETITIVE PRICES. WRITE OR CALL FOR FREE 75 PAGE CATALOG. \$2 FOR AIR MAIL.



THE QUARTZ FITUP THE MINI QUARTZ
Send To:

NEWPORT ENTERPRISES INC.
2313 W. Burbank Blvd.,
Burbank, CA 91506
(213) 845-0555

COUNTRY BARNS



BUILD THIS 20' x 24' BARN FOR UNDER \$3,600!

- Send complete construction plans - includes materials list and free design catalog ... \$16.00
- Send new design catalog of small barns, studios, workshops, and country homes ... \$3.00



HOMESTEAD DESIGN

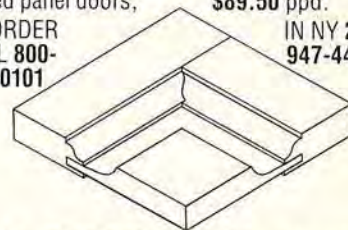
P.O. BOX 988X • FRIDAY HARBOR, WA 98250

THE DOOR SHOP™

The original Ogee DOOR SHOP™ as featured in WOOD MAGAZINE (MAY/JUNE 85) is complete with style & rail, slot & panel raising bits for the 1/4" chuck router. Bits are carbide tipped & BB. & will make 3/4"-2-1/4" thick raised panel doors, \$89.50 ppd.

TO ORDER
CALL 800-
441-0101

IN NY 212-
947-4496.



ZAC PRODUCTS INC. 533 West 34 St
NYC, NY 10001

SCROLL SAW OWNERS - Lettering Layout Guides!

- Use our specially designed guides to layout letters & numbers to be cut from wood or other materials.
- Made from a durable plastic material.
- Several styles & sizes.

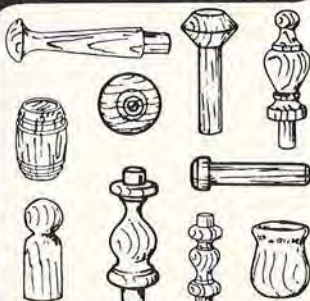
Send \$3.00 (Refundable with first order) for descriptive brochure & prices to:

SEYCO SALES

1238 Bardfield
Box 472749
Garland, Texas 75047

WOOD PARTS

WOODWORKS



Catalog \$1.00 First Class
Free Third Class
WOODWORKS

4013-A Clay Ave. • Ft. Worth, TX 76117

BUILD THESE HEIRLOOM ROCKERS FOR FUN OR PROFIT!



Easy to build using the laminating method. No previous woodcarving experience necessary. Makes a great gift or earn extra money by selling them! If purchased in a store, these would cost about \$1,000.00 each. You can build them for less than \$75.00 each. Instructions, photos and full-size patterns—\$15.00 each.

Ole Tom Crafts

2405 Terrace, Midland, Texas 79705

One big 2 hp. motor does it all. With optional accessories you can do wood turning, mortising, horizontal drilling, and more. Send for four-color information. EMCO* USA. Free. *Circle No. 402.*

EdLco — STAY IN THE WOODS WITH US — Educational Lumber Company is pleased to offer you our new catalog, stacked with excellent buys at delivered prices. Available to you are over 21 species of imported as well as domestic hardwoods, softwoods, turnings, shorts, veneers. All our lumber is kiln dried. As school shop suppliers for 34 years, we know our lumber. It is top-grade. Send today and receive your BONUS GIFT: 4 new furniture designs. EDUCATIONAL LUMBER CO., Inc. \$2.00. *Circle No. 420.*

MACASSAR EBONY — Professionals agree it's one of the world's hardest, rarest, and most beautiful woods. Macassar is coveted by woodworkers, artists, turners, and connoisseurs for its marbelike beauty and durability. We have the largest commercial selection of dimensional stocks in the U.S., from 1 to 8 inches thick and from 4 to 20 inches wide in random lengths to 9 ft. These are virtually unavailable elsewhere at any price. As a direct importer, we offer the lowest prices anywhere with no minimum orders. Send today for a complete description, inventory and price list (refundable with first order). ART EISENBRAND, INC. \$1.00. *Circle No. 430.*

DO-IT-YOURSELF GRANDFATHER CLOCK KITS — Direct from world's largest manufacturer of grandfather clock kits. Prices starting at under \$280 including West German Westminster chiming movement. Choose from black walnut, cherry, and oak. Other quality heirloom kits also available. Send for brochure. EMPEROR CLOCK CO. 50¢. *Circle No. 450.*

JAPANESE WOODWORKING TOOLS — A fine selection, including chisels and gouges, sharpening stones, saws, marking tools, hatchets, knives and garden tools, from some of Japan's most respected small toolmakers. Send for catalog. FINE TOOL SHOPS. Free. *Circle No. 495.*

RIPSTRATE SAVES FINGERS — for table saw and radial arm saw users. Brochure describes the RIPSTRATE and shows how it gives straighter cuts, speeds, the work, prevents kickbacks, and keeps hands away from the blade. FISHER HILL PRODUCTS. 25¢. *Circle No. 530.*

EXCELLENCE IN SHARPENING EQUIPMENT — This two-color, 56-page catalog from Foley-Belsaw Co. provides information on its complete line of equipment used for sharpening home, garden, and industrial shop saws and tools. Each machine is fully illustrated, complete specs and pricing information are provided. FOLEY-BELSAW CO. Free. *Circle No. 550.*

BEAT INFLATION AND HIGH LUMBERYARD PRICES — Turn trees into valuable lumber with the world-famous ONE-MAN PORTABLE SAWMILL. Goes right to the trees — turns out smooth, truecut lumber every time. No crew needed... no experience necessary. Send for booklet. FOLEY-BELSAW CO. Free. *Circle No. 551.*

CUTTING TOOLS — Freud provides the finest in handtools and carbide cutting tools. From chisels and planes to saw blades and router bits. All this and more. Send for catalog. FREUD. \$1.00. *Circle No. 560.*

WOODWORKING TOOL CATALOG — Complete 108-page catalog of hard-to-find hand woodworking tools. We have a stock of over 300 book titles and carry the Myford English wood-turning lathe. Also inventoried are wood finishes of all possible descriptions and carving tools unequaled anywhere in the United States. Send today for your ticket to woodworker's heaven. You too, can be turning out quality woodwork. FROG TOOL COL, LTD. \$1.00. *Circle No. 570.*

INDUSTRIAL QUALITY BORING TOOLS NOW AVAILABLE TO YOU — W. L. Fuller Catalog 19B lists and illustrates a full-line of countersinks, counterbores, plug cutters, key hole router bits and other boring tools. You can combine pieces to drill for wood screw shank and head in one operation;

then cut plug to cover screw head. W. L. FULLER, INC. 35¢. *Circle No. 575.*

FULL-SIZE FURNITURE PLANS CATALOG — Illustrates and describes over 180 plans for making furniture of quality found in museums and fine furniture stores. Plans include rolltop desk, cradles, dining tables, chairs, buffets, chests, gun cabinets, poker table, children's furniture, rocking horse, spinning wheels, and more. Bill of materials exploded drawings assist the woodworker. FURNITURE DESIGN, INC. \$2.00. *Circle No. 585.*

1985-86 MASTER CATALOG — contains 228 pages of the finest in woodworking hand tools, machinery, and finishing supplies plus over 125 books. Of particular note is the selection of Japanese tools. The format is all four-color. GARRETT WADE CO. \$3.00. *Circle No. 600.*

BEAUTIFUL WIPE-ON WOOD FINISHING — is explained in a booklet from a pioneer in wipe-on finishes since 1928. Wood finishes that produce a beautiful hand-rubbed finish without messy brushes or spraying. Specially formulated finishes that simply wipe-on with professional results every time — guaranteed! Unlike conventional finishes these will never yellow, crack, or craze and they dry dustfree without runs. These finishes will bring out the natural beauty of the wood and never needs waxing. Send today for your wood finishing guide and products catalog. GENERAL FINISHES. 25¢. *Circle No. 630.*

PEG-1000 WHOLESALE — Polyethylene glycol green wood stabilizer, 10 lbs. \$17.00 plus \$2.90 shipping. Send for additional information. GENERAL FINISHES. 25¢. *Circle No. 631.*

WOODWORKING MACHINERY CATALOG — Just arrived — 1985 full-color catalog of quality imported machinery and tools at low prices. GRIZZLY IMPORTS, INC. \$3.00. *Circle No. 670.*

PLANERS — Heavy duty 15x6 in. planers with 2 hp. single-phase motors. Other woodworking equipment at low, low prices. Send for 1985 color cata-

If you thought "Swiss-Precision" could only be found in watchmaking, then you don't know about our power tools.



Only you know how good your tools have to be. When it comes to woodworking machinery, they should be better than you are—even if you're already an accomplished craftsman. Therefore, you owe it to yourself to learn more about our Swiss-made line of INCA stationary power tools which we sell throughout these 50 states.

Take the 10" Cabinetmaker's Saw, for example. It has a 20mm (25/32") arbor at the blade for strength and rigidity where it counts. The table castings are tough, precision milled alloys and the guide rails are aircraft quality extrusions. All the major rotating parts are dynamically balanced. The bottom line is a machine that takes higher loadings and gives you less vibration with a truer running saw blade.

If fact, every one of our INCA saws, jointers, planers and shapers are built to quality standards which are becoming increasingly hard to find in this country. That's because they're made with the same pride of workmanship as the Swiss put into their watches.

Our catalog is a good place to begin your comparisons. We want you to be as good as you can get.



INCA Professional 20" Bandsaw carries a blade range from 1/16" to 1"

- • • • •
- Garrett Wade Co., Dept. 104
- 161 Ave. of the Americas, N.Y., N.Y. 10013
- Gentlemen:
- Send me your INJECTA INCA catalog. Free.
- Send me your 228-page catalog of the finest
- woodworking hand tools, finishing supplies,
- books, hand held power tools, and accessories.
- \$3.00 enclosed.

• Name _____

• Address _____

• City _____

• State _____ Zip _____

THE BEST PROJECTS START WITH ARTISTRY IN VENEERS!

As a craftsman, you know the advantages of fine veneers and how they can be used to create original pieces. Artistry in Veneers provides you with a complete line of quality products at affordable prices... from materials to tools, kits, "how-to" books and more!

• Veneers • Tool Kits • Stains • Marquetry • Cane • Dollhouse Kits • Fancy Crotch, Swirls, Butts and Burls • Furniture and Toy Plans • Decorative Inlays and Borders • Wood Ship Models • Waterfowl Carving Kits • Finishing Materials and Accessories • Craft and Hobby Tools • Glues and Adhesives • Wood Products

SPECIAL DISCOUNTS FOR INSTITUTIONAL ORDERS.



SEND \$1 FOR OUR WOODWORKER'S CATALOG (Deductible from your first order.)

ARTISTRY IN VENEERS, INC.
450 Oak Tree Avenue, South Plainfield, NJ 07080
201-668-1430

Name _____
Address _____
City _____ State _____ Zip _____
Member of Woodworking Association of North America

WOODWORKING MACHINES 5 in 1 Combination

- 1 • 34" LATHE
- 2 • 10" TABLE SAW
- 3 • 11 1/4" DISC SANDER
- 4 • 16 1/2" VERTICAL DRILL PRESS
- 5 • HORIZONTAL DRILL PRESS



VERY IMPORTANT

- The only machine built with
- a. All CAST IRON TABLES
 - b. HEAVY-DUTY DESIGN
 - c. 1 1/2 HP MOTOR DEVELOPS 3HP
 - d. BUILT AS AN INDUSTRIAL MACHINE
 - e. ONLY MACHINE WITH 5-YEAR GUARANTEE

ONE PLACE FOR ALL YOUR NEEDS...

VISA MASTERCARD FINANCE AVAILABLE

PLANT:

MASTER WOODCRAFT CO.

800 SPRUCE LAKE DRIVE • P.O. BOX 669
HARBOR CITY, CA 90710

TOLL FREE 1-800 421-2467

IN CALIFORNIA CALL COLLECT (213) 549-0761

(A Republic-Lagun Group) • Dealership Available

log. GRIZZLY IMPORTS, INC. \$3.00. Circle No. 671.

DUST COLLECTORS — for the small/medium size shop. Capable of handling from 1 to 3 machines at the same time. Priced within the home shop budget, yet capable of handling cabinet shopwork. Other woodworking machinery and tools — low prices. Send for catalog. GRIZZLY IMPORTS, INC. \$3.00. Circle No. 672.

EASY DOES IT — with HTC'S power tool accessories. Discover many unique items, designed only with you, the dedicated woodworker, in mind. Make your machinery safer, increase the working area of your shop and accomplish nearly impossible tasks easily, quickly, accurately. Full-line catalog and price list. HTC PRODUCTS, INC. Free. Circle No. 705.

COUNTRY FURNITURE PLANS — Our catalog features 14 designs — from country pie safe to mini-barn. Also included are various products for the home workshop. Send for our latest catalog. Price of catalog deducted from your first order. HAMMERMARK ASSOCIATES. \$1.00. Circle No. 710.

EPOXIES FOR THE WOODWORKER AND HOBBYIST — Find out in two fact-filled pamphlets all about adhesive from the ancient blood glues to modern day epoxies and how they can help you in your woodworking projects. You will also receive a product literature package on the industrial formulators of Canada. Ltd. line of epoxies for woodworkers. HEADLAND INTERNATIONAL, INC. \$1.50. Circle No. 720.

BRASS FURNITURE HARDWARE — This 36-page catalog shows over 500 items of authentic reproduction hardware from the 1700's and on into this century. This fine quality hardware is a must for the furniture craftsman working on a new project, or the refinisher who needs replacement hardware. HORTON BRASSES. \$2.00. Circle No. 750.

IF YOU ARE INTERESTED IN FINE WOODWORKING — you will not find better machinery than that sold by J.P. Humfrey Ltd. For example, we have 10-in. general tablesaws (2 HP, magnetic switch, lever-lock fence) available at \$1,295 FOB New York. Send for brochure. J. PHILIP HUMFREY LTD. \$1.00. Circle No. 770.

BUY YOUR SANDING BELTS DIRECT FROM THE MANUFACTURER — Industrial Abrasives is the company that gives you six free belts with every dozen ordered. But, sanding belts are not the only product we have to offer. In our catalog you will find many specialty items not readily available in your hardware store. Price of catalog refunded with first order. INDUSTRIAL ABRASIVES CO. \$1.00. Circle No. 780.

THE CUSHION CONTOUR SANDER — is a new concept in pneumatic drum sanding. Sanding sleeves are slid over an air bag (inflated with a hand tire pump) on an arbor to mount it between centers on a wood lathe. Drum effectively takes on profiles, curves, and bevels practically eliminating flat spots and chatter marks. INDUSTRIAL ABRASIVES CO. Free. Circle No. 781.

THE FINE TOOL JOURNAL — Published 10 times per year, this publication will keep you up to date with the many aspects of the world of antique and obsolete hand tools. Tools are offered for sale, books on tools are reviewed and sold, auctions are reviewed, articles on identification, values, and history. Send for sample copy. IRON HORSE ANTIQUES, INC. \$1.50. Circle No. 800.

WOODWORKING BY IAN KIRBY — 12 BOOKS & 12 AUDIO TAPES — When you subscribe to this series you join a school without walls. It is the most comprehensive learning program available on the how-to of woodworking. Excellent for beginners or the more experienced, amateurs or professional. Woodworking in the English tradition and the modern idiom. Sound professional teaching, practical help and projects to make. To be published over two years beginning August 1985. AN IDEAL GIFT. Send for information and order form. LIGNUM PRESS LTD. Free. Circle No. 1026.

QUALITY CLOCK KITS AND PLANS — Hand-made and semi-assembled of carefully selected 3/4 in. cherry, oak, or walnut with beveled glass. Or build from "scratch" using our detailed plans and trim pieces. Choice of quality movements. Established in 1916. KUEMPEL CHIME CLOCK WORKS. \$2.00. Circle No. 1070.

FREE LITERATURE — New brochure showing all moisture meters and accessories for moisture meters such as interchangeable electrodes and probes and cables for in-kiln moisture monitoring. Complete line of moisture meters include: Pocket-size Mini-Ligno with LED readout 6%-20%, Mini Ligno E 6%-36%, analog or digital display meters 4%-30%, 60% and a digital moisture meter with built-in compensation for different wood temperatures. LIGNOMAT USA, LTD. Free. Circle No. 1130.

PRODUCTION QUALITY CARBIDE TIPPED ROUTER BITS — MLCS Ltd. offers a full line of professional production quality carbide tipped router bits at 50-70% lower than retail prices. We sell through the mail and only direct to craftsmen. Send today for information. MLCS LTD. Free. Circle No. 1210.

MASTERPIECE TOOLS — World's finest woodworking tools are available from Mahogany Masterpieces. The world's finest selection of Japanese hand tools can be seen in a beautiful photo catalog. We are the No. 1 Inca dealer in the United States. Exclusive importers east of the Rocky Mountains for Ulmia woodworking machines, the "Mercedes" of table saws. MAHOGANY MASTERPIECES. \$5.00. Circle No. 1214.

WOODWORKING PLANS — Catalog of full-size plans printed on heavy paper for toys, gifts, novelties, action windmills, shelves, birdhouses, garden furniture, Dutch windmill, lawn ornaments, old-fashioned lawn swing, jigsaw projects for children, and more. MASTERCRAFT PLANS WEST. \$1.00. Circle No. 1216.

WOODWORKING BOOKS AT DISCOUNT PRICES — Most complete listing of books for woodworkers. Each book is discounted from 10 to 25% off the cover price. There is absolutely no shipping and handling charge. Woodworking, carving, turning, project books by authors such as Krenov, Frid, Spielman, Nish, Tangerman, and Hoadley are listed along with many hard-to-find titles. MANNY'S WOODWORKER'S PLACE. \$2.00. Circle No. 1217.

WOODWORKER'S SPECIALTIES — 48-page catalog of plans and hard-to-find hardware for the woodworker. Brass hardware, screws, cork products, wood turnings, canister liners, clock movements, picture frame supplies, lamp parts, and more. MEISEL HARDWARE SPECIALTIES. \$1.00. Circle No. 1220.

WOODEN SHIP MODELS — Discover the world's hobby — building fine-quality, historic wooden ship models. Described are true-to-life scale replicas, lifelike in every detail. A 64-page color catalog introduces you to this fascinating hobby. MODEL EXPO, INC. \$1.00 (Refunded with first order). Circle No. 1256.

WOODWORKING SUPPLIES CATALOG — Send for new 36-page color catalog of hundreds of foreign and domestic veneers, wood craft patterns, turning squares, carving blocks, toymaking supplies, hardwood lumber (at factory-to-you prices), chair cane, books, spindles, dowels, shaker and mug pegs, candle cups, fancy inlay borders, made-to-order 1-ply and 2-ply veneers and plywoods (every specie including all burls and crotches). Also included is a colorful wood selector chart, simplified veneering instructions and introductory incentive offers and free gift offers. BOB MORGAN WOODWORKING SUPPLIES. \$1.00. Circle No. 1257.

WOOD CARVING — You can obtain information on learning woodcarving by sending for our literature. The offer includes sample copy of *The Mallet Magazine* and two lesson sheets on carving. NATIONAL CARVERS MUSEUM. \$1.00. Circle No. 1300.

WOODWORKING TOOL CATALOGS — R.A. Ness & Co., the Woodworkers Emporium, offers a 2-year subscription, a total of eight huge sale catalogs. Thousands of industrial quality items — machinery, hand tools, portable electric tools, and supplies — are featured at super sale prices. The fee is refundable with purchase. R. A. NESS & CO., the Woodworkers Emporium. \$4.00. Circle No. 1310.

CLOCK COMPONENTS — We feature battery, pendulum, and chime quartz movements of all types: Urgos, Hermle, Grandmother, Grandfather cable drive and chain drive, keywind movements of all types. 400-day clocks, music box movements,

flat and bezel type dials — plus a vast assortment of weather instruments. Hundreds of clock items. Very competitive. 75-page catalog. NEWPORT ENTERPRISES. Free. *Circle No. 1320.*

WOOD WORKERS—CARVERS SUPPLIES — Catalog on hard to find items. E-Z pneumatic drum sander, Foredom tools and accessories, Detail Master woodburning unit, abrasive cartridge rolls, books, patterns, much more. NORTH WEST CARVING SUPPLIES. \$2.00. (Refundable). *Circle No. 1360.*

PERSONAL BRANDING IRONS — Brochure describes branding irons that enable you to put your name on you work quickly and easily. Made especially for branding wood, they are available with 1, 2, or 3 lines of copy or with your logo. Changeable date also available. NOVA TOOL CO. \$1.00. *Circle No. 1380.*

PIN ROUTER AND ROUTER BIT CATALOG — Brochure showing the inverted pin router, the most versatile, easy-to-operate pin router in the world. Designed for operator safety and comfort. Included is a 22-page router bit catalog of all industrial grade bits in both highspeed steel and carbide. C.R. ONSRUD, INC. \$1.00. *Circle No. 1440.*

BOSCH ROUTER BITS AND DELTA SHAPER CUTTERS — Send for our sale prices on Bosch router bits and jigsaw blades. Also ask for prices on Delta shaper cutters. Best prices available. PME WOODWORKING SUPPLIES. \$1.00. *Circle No. 1470.*

QUARTZ CLOCK MOVEMENTS — Deal directly with the nation's largest independent distributor of quartz clock movements. Thousands of ultra-thin, pendulum, and chime movements in stock at all times. Our 36-page catalog features a large selection of hands, dials, numerals, weather instruments, as well as many other clock making supplies. Most orders shipped within 48 hours. PRECISION MOVEMENTS. Free. *Circle No. 1555.*

A CATALOG OF DEFECT-FREE HARDWOODS — Reproduction Hardwoods provides you Red Oak, Mahogany, Cherry, Walnut, Hard Maple and Poplar in solid panels and turning squares. Plus hardwood faced plywood and butcher block stock. All defect free! Widths up to 30 in. and lengths up to 60 in., squares up to 5 in. thick. Custom sized for no waste building. Shipped UPS to your door. REPRODUCTION HARDWOODS. \$1.00. *Circle No. 1630.*

TOOLS ON SALE — A division of Seven Corners Ace Hardware Inc. offers a comprehensive catalog featuring over 190 pages of the most competitive prices in the industry. If you're looking for savings and fast delivery on over 1,800 items, request our catalog. This catalog offers one of the most complete selections of power tools available anywhere from the most respected manufacturers in the industry: Milwaukee, Makita, Porter-Cable, Black & Decker, Freud, Bosch, Delta, and many more. SEVEN CORNERS ACE HARDWARE INC. Free. *Circle No. 1670.*

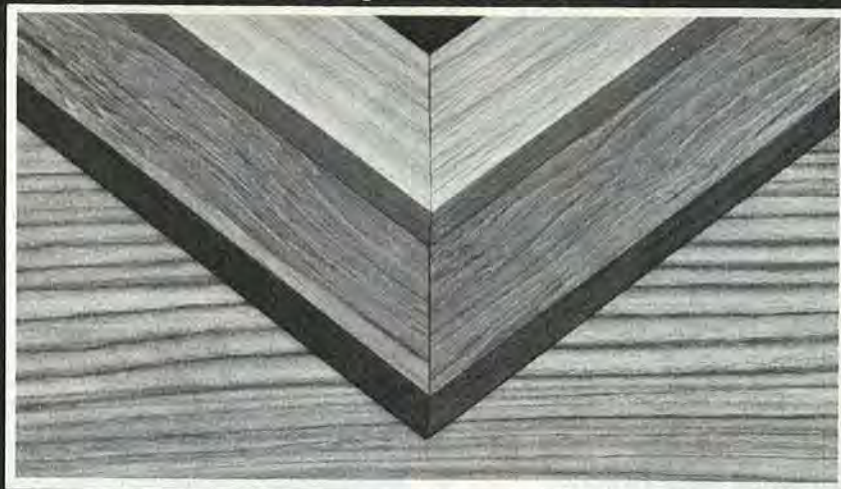
LETTER LAYOUT GUIDES — Brochure containing complete information about a new product of special interest to scroll sawers, carvers, and wood sign makers. A lettering guide to layout large letters and numbers to be cut in wood or other materials. Made from a durable plastic material for years of use. Price of brochure is refundable with first order. SEYCO SALES CO. \$3.00. *Circle No. 1710.*

SHAKER FURNITURE KITS & DECORATIVE ACCESSORIES — Authentic reproductions — rocking chairs, side chairs, trestle tables, candle stands, kegs and pegboards, rag rugs, oval boxes, spirit drawings, and needlework kits. 32-page catalog. SHAKER WORKSHOPS. \$1.00. *Circle No. 1715.*

MAKE WOOD SIGNS — SignCraft is the bimonthly magazine for the signmaker. Regular features include color photos, articles and tips about routed, carved, sandblasted and painted wood signs, plus many other types of hand produced signs. Have you ever considered putting your woodworking skills to work in the lucrative field of signmaking? Send for subscription information. SIGNCRAFT MAGAZINE. Free. *Circle No. 1723.*

WOODCRAFTERS — Plans, kits, hardware, hardware parts. Supplies for woodburning, folk art painting, stencilling, carving, toymaking, and much more. Top quality products at very reasonable prices. SKILCRAFT. \$1.00. *Circle No. 1733.*

G2 Glues Oily & Acidic Woods



G2 Epoxy solves difficult gluing problems like bonding resinous exotics, or acidic oaks and cedars. G2 is flexible, gap-filling, and waterproof. Glue-up butcher blocks or bamboo fly rods, golf clubs or laminated beams. G2 is made by Industrial Formulators of Canada, Ltd., who have been solving adhesive problems for 25 years.

Order now and save 15% off the regular kit price. Kit includes resin and hardener, protective gloves, measuring cups, stir sticks and product literature. \$17.95 postpaid (offer good through March 15, 1986). CALL TODAY FOR MORE INFORMATION.



IFC epoxies, including G2, Cold Cure and 5 Cure, are distributed exclusively in the U.S. by:

HEADLAND INTERNATIONAL, INC.

2020-124th Ave N.E., Suite C-102A
Bellevue, WA 98005 (206) 885-0622

Trade inquiries welcome.



ELEKTRA BECKUM

LOOKING FOR THE MOST MACHINE
FOR YOUR MONEY ??

Who has a super Spindle Shaper?



TF100

Your partner in woodworking,
ELEKTRA BECKUM, has it:
The TF100 Spindle Shaper.

- 6" Cutter block, maximum
- 4 1/4" Height adjustment, max.
- 3/4", 1" or 1 1/4" shaft available
- 3 Speeds (4800-7200-9900 rpm)
- Available with 2.4 HP UNIMEX or 3.0 HP fixed motors

All these features for only \$985
FOB Somerdale, NJ

ELEKTRA BECKUM AT THE HEART OF A GOOD JOB

See the ELEKTRA BECKUM
machines demonstrated at
these shows:

Houston	Jan. 10-12
Columbus, OH	Feb. 14-16
San Francisco	Feb. 21-23
Pasadena	Feb. 28-2
Wash., DC	Feb. 28-2

Call today for your closest dealer
1-800-223-8600

Send \$1.00 for full color catalog to:
ELEKTRA BECKUM USA CORP.
P.O. Box 24, Dept. WJF
Somerdale, NJ 08083

WOOD REPAIR

Durham's Rock Hard Water Putty makes lasting repairs in wood. Won't shrink or fall out. Sets quickly, holds tight and can easily be painted. Economical, easy to use. Available at lumber, paint and hardware stores.



DONALD DURHAM COMPANY
Box 804-W, Des Moines, IA 50304

*Distinguish Your Fine Workmanship
With Your Own, Personal*

BRANDING IRON

For Hard and
Soft Wood

Available with your:

- * Initials
- * Name—w/wo Address
- * Logo
- * Choice of Wording

*Changeable date available for most units
Call or write for free brochure*

NOVA TOOL CO.

4533 Colfax Circle, Dept. BH
P.O. Box 29341, Lincoln, NE 68529
(402) 464-0511



GUARANTEED

EDLCO

Appalachian Hardwood Specialists
Now Serving Craftsmen
Select from over 21 species
Imported And Domestic Hardwoods
Softwoods
Veneers Shorts Turnings
Kiln Dried Delivered Prices
New Catalogue \$2.00
Write today **EDLCO**
Box 5373 W
Asheville, N.C. 28813
Phone (704) 255-8765
Stay In The Woods With Us

EDUCATIONAL LUMBER CO., INC.

Wood Moisture Meter

- Avoid Moisture Problems
- Protect your Masterpiece

MINI LIGNO

Incl. Case, Batteries
and Pins for 3/4" and 7/8"
Measuring Depth.

only **\$110**

also from Lignomat:
MINI-LIGNO E
Range: 6%

Easy-to-use, sturdy
instruments for the
professional woodworker
or serious hobbyist.
Great for lumber, veneer,
fiberboards. Ask for free
catalog on the complete line
of moisture meters and
accessories for kiln drying.

Lignomat USA Ltd. P.O. Box 30145bh
503-257-8957 800-227-2105 Portland, OR 97230



BUILD THIS PIE SAFE

*Order plans for this
country reproduction*

A necessity in early American homes, today's homeowner will love the storage in this charming Pie Safe. You can stain and varnish, or finish yours with old-fashioned milk paint—instructions for both finishes are in the plans. To order, send \$10 ppd. (Canadian residents please remit postal money order in US funds) to: **HAMMERMARK ASSOCIATES**, Box 201-W, Floral Park, NY 11002.
Send \$1 (refunded with first order) for our catalog (it's included free with all plans orders). Prices in effect until 12/31/86, after that date check price before ordering.

HORTON BRASSES

Nooks Hill Road, P.O. Box 120J
Cromwell, CT 06416 (203) 635-4400

HORTON BRASSES are authentic
copies of 17th, 18th, 19th & early
20th century pulls



Mfrs. of Cabinet & Furniture
Hardware for Homes & Antiques.
Send \$2.00 for a Catalogue.

BUILD IT YOURSELF

TOYS • PUZZLES • PLAQUES • PLANTERS
FURNITURE • LAWN ITEMS • BIRD HOUSES
ROCKING & RIDING HORSES • PLAY SETS

BLUEPRINTS

CREATE HUNDREDS OF ITEMS
WITH SAME SIZE PATTERNS
PLUS WHEELS AND BOOKS

**ILLUSTRATED
CATALOG \$1**

Design Group, Box 514-Z, Miller Place, N.Y. 11764

FINE FINISH WOOD ENNOBLER

THREE SIMPLE STEPS TO PROFESSIONAL PERFECTION

Prepare wood surface. Wipe on penetrating Sealacell® to repel moisture.	After 12 hours wipe on Varnowax® to enhance the coloring and beauty of the wood.	After 12 hours wipe on Royal Finish® for a satin smooth, stain resistant surface.
---	--	---

Write for **FREE** guide to wood finishing.

GENERAL FINISHES

P.O. Box 14363B • Milwaukee, WI 53214
414 774 1050

SEALACELL 1-2-3

The wipe-on finish that's been making craftsmen proud since 1928.

SHAKER FURNITURE

An exciting collection of Shaker dining chairs, tables, beds and other furniture available in Kits or completely finished. All exemplify the simplicity and versatile beauty of Shaker design. Pegs, peg-board, Shaker baskets, oval boxes, dolls and miniature furniture.

Large selection of replacement chair tapes.
New 40 page color catalog
and 12 tape samples \$1.00

SHAKER WORKSHOPS

Box 1028-WM26, Concord, MA 01742

BUILD A KUEMPEL HEIRLOOM CLOCK

Serving clockmakers for 65 years.
Build a beautiful solid 3/4" oak, cherry or walnut clock, hand cut of carefully matched wood. Beveled glass, bronze etched dial handcrafted pendulums & handpainted moonwheels. Choose Rods or Tubular Bells. Kits or start from scratch plans in a variety of designs.

Write or Call for Catalog
1-800-328-6445
Between 8 a.m. & 4 p.m. CST
First Class - \$2

Kuempel Chime

Dept. 009
21195 Minnetonka Blvd.
Excelsior, MN 55331
The originators of clock kits.

Make Signs?

If you make or are interested in wood signs, you'll want SignCraft — the magazine for the sign artist. You'll see creative wood signs in every issue — carved, routed and sandblasted — plus how to's, pricing, technical help and more! Your satisfaction is guaranteed.

6 issues per year, just \$21. Outside the U.S. — \$24 (U.S. funds)

SignCraft Magazine

P.O. Box 06031-W, Ft. Myers, FL 33906

WOODEN TOY PLANS

Sturdy designs — Complete dimensions & instructions.
Logging truck 23" — Steam train 5 cars 46" — \$4 each.

Send \$1 for catalog — modern trucks, pull toys, rocking horse and more.

D & E CRAFTS

W 618 N. COAST HWY.
NEWPORT, OREGON 97365

SYSTEMS IN JOINERY — New 25-page illustrated catalog featuring many uses of the joint-matic and introduction of other high quality machines, fixtures, and cutting tools that make many of the more difficult tasks in woodworking easier. **STRONG TOOL DESIGN.** \$2.00. *Circle No. 1745.*

CUPOLA AND BRIDGE STUDY PLAN BOOK — Consists of designs for 22 foot bridges, 8 covered bridges, 36 cupolas, and some history of each. Complete plans available for each design. **SUN DESIGNS.** \$7.95. *Circle No. 1750.*

GAZEBOS AND OTHER GARDEN STRUCTURES — The most comprehensive collection of gazebo designs found anywhere today. Includes 55 gazebo designs from 8 ft. to 30 ft., 13 strombrellas, 7 arbors, 14 bird feeders, and 4 birdhouse designs. Has mini-plans of 2 bird feeders and 1 of our most popular Tiffany gazebo. Complete construction plans can be ordered for all 93 designs. **SUN DESIGNS.** \$7.95. *Circle No. 1751.*

BOOK OF OUTBUILDINGS — 25 illustrated designs that can be used for unique storage sheds, playhouses, saunas, cabanas, guesthouses, or even privies. Send for *The Classic Outhouse* book. **SUN DESIGNS.** \$7.95. *Circle No. 1752.*

"THE STROM TOYS" — a full-color, 96-page paperbound book of extraordinary wood toy designs, and a richly illustrated children's story. Contains 40 designs for which plans can be ordered, and 12 mini-plans. Makes an excellent gift. **SUN DESIGNS.** \$9.95. *Circle No. 1753.*

BACKYARD STRUCTURES — Contains designs for 21 really different storage sheds, 5 cabanas, 13 animal shelters, 3 barns, 13 garbage enclosures, 3 studios, and more, plus 8 plans in book. 66 designs in all, for which plans can be ordered. Full color. **SUN DESIGNS.** \$8.95. *Circle No. 1754.*

TIMBERS COUNTRY STORE — Catalog features hundreds of woodworking supplies, toy patterns, furniture patterns, tool use and instruction books, woodworking pattern books, hardwood toy and furniture parts plus many hard to find tools and shop supplies. **TIMBERS COUNTRY STORE.** Free. *Circle No. 1820.*

ATTENTION WOODWORKERS — Learn how you can afford a quality 24 in. scroll saw that you build from a kit. Also ask how, with the WHEEL-RIGHT, you can mass-produce wooden wheels by using your drill press. **THE TOOL COMPANY.** \$1.00. *Circle No. 1840.*

TOYMAKERS SUPPLIES — Catalog of over 100 full-size wooden toy patterns — classic to contemporary designs from Packard Le Baron to Streamlined train and moon machine. Easy to follow, fully illustrated patterns which appeal to all ages. Hardwood wheels, shaker pegs, axles, etc., in stock. Accessory kits of pattern and turnings available. **TOY DESIGNS.** \$1.50. *Circle No. 1860.*

WOOD TOY PATTERNS — Patterns for all ages including children's patterns and executive toys. New catalog has many new patterns to choose from including parts and wheels. Send for new catalog and receive a coupon for free wheels and axle pegs. **TOYS AND JOYS.** \$1.00. *Circle No. 1865.*

IF YOU ARE INTERESTED IN RESTORING ANTIQUES — this 112-page catalog packed with unusual, hard-to-find items is just for you. Included are hundreds of essential items for antique restoration including top quality brass reproduction hardware, oil lamps and accessories, numerous wood component repair parts and kits, caning and basketry supplies, everything needed for wood refinishing, related tools, books, and a complete line of upholstery equipment and supplies. All at wholesale prices. Send for this informative catalog. **VAN DYKE' SUPPLY CO.** \$1.00. *Circle No. 1970.*

WOODCARVING TOOLS — Whittlers and carvers — Warren Tool Co. offers a catalog for you full of whittling and carving hand/power tools, books, stones, wood, and supplies. Since 1927, the finest in woodcarvers tools. **WARREN TOOL CO., INC.** 60c. *Circle No. 2020.*

BEAUTIFUL WOOD FINISHING — with Watco Danish Oil Wood Finish. Full-color *How to Beautifully Finish Wood* booklet enables anyone to create professional finishes the first time with all types of wood. One application of Watco Wood Finish seals, primes, finishes, hardens, protects, beautifies, penetrates deeply into the wood; outlasts sur-

face coats three to one. Eight attractive Danish Oil colors now available. Eliminates pre-staining. **WATCO-DENNIS CORP.** Free. *Circle No. 2025.*

WHAT ARE YOUR OLD TOOLS WORTH? — New illustrated Collector's Guide gives history and current dealer and auction prices for the products of Stanley, Bailey, Disston, KeenKutter, Sargent, Simmons, Winchester, and dozens of lesser known brands made from 1840 to 1940. Just a few of the over 5,000 items described and priced: adzes, anvils, axes, braces, chisels, compasses, dividers, hammers, hatchets, knives, lathes, levels, planes, plumb bobs, routers, rules, saws, screwdrivers, spoke shaves, wrenches, and wheelwright's items. Over 2,000 illustrations. First edition, 230 pages, 9x12 in. paperback, Library of Congress #84-50055. Now is the time to identify and price all of your old tools. Just one find could pay for this new book, many times over! **WINDMILL PUBLISHING CO.** \$14.00. *Circle No. 2049.*

WOODWORKERS CATALOG — More than a catalog — it's one of the best sources for quality woodworking tools. You'll find everything from bit braces to wood borers, from saws to sharpening stones. Every product is sold satisfaction guaranteed. **WOODCRAFT SUPPLY CORP.** Free. *Circle No. 2070.*

THE JAPAN WOODWORKER'S 1984 CATALOG — is loaded with the best tools you can get your hands on. In our catalog you will find a complete selection of Japanese tools for the woodcarver, carpenter, and cabinet maker. Send for catalog plus supplements for next two years. **WOODLINE-THE JAPAN WOODWORKER.** \$1.50. *Circle No. 2075.*

POWER-FEED DRUM SANDER — Use the Woodmaster drum sander to dimension and finish-sand cabinet pieces, resawn stock, paneling, grandfather clocks, toys, table tops, knees, burls, crotches, and much more. Choose from 12-in. and 26-in. models complete with motor and stand. 30 day free trial... easy terms. Send for information kit. **WOODMASTER TOOLS.** Free. *Circle No. 2080.*

HIGH PRECISION SCROLL SAW — The sturdy, new Woodmaster Model 1600 gives you all the features found in more expensive machines including big, 16-in. throat capacity, 2-in. cutting depth, a generous, oversized worktable, ball-bearing drive... and much more! Send for complete facts. See how you can use the Woodmaster Model 1600 in your own shop for one full month completely

without risk. Send for information kit. **WOODMASTER TOOLS, INC.** Free. *Circle No. 2081.*

QUALITY AMERICAN-MADE WOOD TURNINGS — such as shaker pegs, spindles, toy wheels, toy parts, craft items, and dowel rods in birch, oak, walnut, and cherry. Send for complete 32-page catalog. **WOODWORKS.** \$1.00. *Circle No. 2130.*

NEW AND ORIGINAL DESIGNS — We've been designing projects for magazines and other clients for years, so, we decided it was about time to sell our own line of plans. Send for our folder of woodworking projects designed by David Ashe for THE WORKSHOP BLUEPRINT CO. 75c. *Circle No. 2150.*

CARBIDE ROUTER AND SHAPER BITS — Our industrial carbide router bits will make you and your work achieve your goals, make things happen, and avoid problems. Zac router bits will expand your possibilities and options while giving the precise details you need. With your router and our tooling your shop becomes a system that you and your family will be proud of. Feel the satisfaction of improving your shops while you and others will know you bought the best. We consistently deliver high-quality router bits shaper cutters. Our 32-page catalog will improve your knowledge and skills. Send for it today. **ZAC PRODUCTS, INC.** \$2.50. *Circle No. 2195.*

BOOKS

MAKING WHIRLIGIGS AND OTHER WIND TOYS, S. Pierce — Practical! Find out how to get the wind to hit them right, balance the paddles. Make 3 different kinds of whirligig arms, 22 patterns: soldier, mermaid, penguin, Santa, unicorn, and more plus wind toys — windmills, racing jockeys, and even a tireless fellow milking an endlessly patient cow. 4 pages in color, 132 pages 7½x9½. **STERLING PUBLISHING CO.** \$8.95. *Circle No. 2250.*

OUTDOOR PLAYHOUSES AND TOYS — Projects and Plans, Staff of *Workbench* magazine. From the pages of *Workbench!* Instructions for making classic toys, child-safe, many never in a book before. Every project has finished photo. Extensive oversized plans for entire playground set, kiddie cars, sleighs, scooters, wagons, doll houses, cradles, 53 more. 112 pages, 8½x11, many photos and diagrams. **STERLING PUBLISHING CO.** \$7.95. *Circle No. 2251.*

Information

WORTH WRITING FOR

- TO ENSURE PROMPT HANDLING OF YOUR ORDER FOLLOW THESE INSTRUCTIONS:
- Circle your choice
 - Enclose cash, check, money order for cost of booklets plus \$2.00 service charge (no stamps/foreign)
 - Send coupon and remittance to address above
 - ALLOW 4-6 WEEKS FOR DELIVERY
 - Coupon expires February 18, 1987

WOOD SUBSCRIPTION

1. A 1 year WOOD subscription (6 issues) for \$15.00 — a \$6.00 savings off newsstand rate. Allow 6-8 weeks for first issue. Add \$6.00 outside U.S. Be sure to include payment with total below.

FREE LITERATURE

Circle numbers below corresponding to items in this issue. Please include \$2.00 for handling charge

273.	495.	705.	1130.	1555.	1820.	2080.
317.	550.	781.	1210.	1670.	2025.	2081.
402.	551.	1026.	1320.	1723.	2070.	

PRICED LITERATURE

Numbers below refer to items on which there is a charge. Please include proper remittance.

2....\$1.00	145....\$1.00	400....\$5.00	670....\$3.00	1217....\$2.00	1715....\$1.00	2020.....60c
3....\$1.00	147....\$1.00	420....\$2.00	671....\$3.00	1220....\$1.00	1733....\$1.00	2049...\$14.00
12....\$2.00	230....\$1.00	430....\$1.00	672....\$3.00	1256....\$1.00	1745....\$2.00	2075....\$1.50
45....\$1.00	245....\$1.00	450....50c	710....\$1.00	1257....\$1.00	1750....\$7.95	2130....\$1.00
50....\$2.00	250....\$1.00	530....25c	720....\$1.50	1300....\$1.00	1751....\$7.95	2150.....75c
60....\$1.00	259....\$1.00	560....\$1.00	750....\$2.00	1310....\$4.00	1752....\$7.95	2195....\$2.50
65....\$1.00	260....\$1.00	570....\$1.00	770....\$1.00	1360....\$2.00	1753....\$9.95	2250....\$8.95
66....50c	270....\$1.00	575....35c	780....\$1.00	1380....\$1.00	1754....\$8.95	2251....\$7.95
100....\$1.00	275....\$1.00	585....\$2.00	800....\$1.50	1440....\$1.00	1840....\$1.00	
110....\$2.00	300....\$1.00	600....\$3.00	1070....\$2.00	1470....\$1.00	1860....\$1.50	
130....\$2.00	315....50c	630....25c	1214....\$5.00	1630....\$1.00	1865....\$1.00	
144....\$1.00	320....\$1.00	631....25c	1216....\$1.00	1710....\$3.00	1970....\$1.00	

Name (please print) _____
 Address _____
 City _____
 State _____ Zip Code _____

I AM ENCLOSING:

\$_____ for priced items
 \$ 2.00 for handling
 \$_____ total remittance

CARVERS GO NUTTY



Your ivory disappeared? How will you make all those carvings, inlay pieces, and scrimshaw items you promised? Never fear, friend, help is here.

Thanks to Woodcraft Supply Corporation of Woburn, Mass., for letting us know about an ivory substitute in the form of very large, hard, and plentiful tagua nuts. Perfect for scrimshaw, carving, inlay, and even small turnings, the nuts come from the ivory palm (*Phytelephas macrocarpa*) of South America. Natives there have carved these nuts for centuries.

About 3" long and 1½" thick, the nuts seem rock-hard. When sliced, their insides resemble ivory. The secret to carving them, we found out, is to soften them by soaking in water for a day or less. Then, they carve easily.

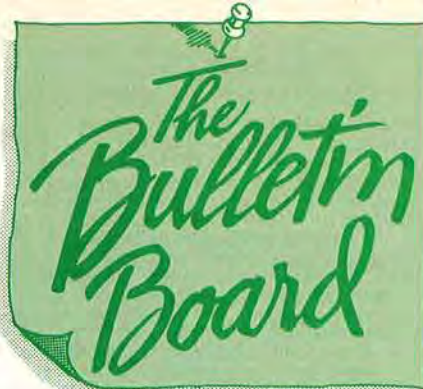
Eight nuts cost \$9.95, postpaid, from Woodcraft Supply, 41 Atlantic Ave., Woburn, MA 01888 (how-to instructions included).

HARDWOOD LUMBER LEADER FRANK PAXTON, JR.

West to the Rockies, east to the Ohio, and south to the Gulf, Frank Paxton Lumber Company heads the list of hardwood suppliers to industry, cabinet shops, millwork houses, and school shop programs. Their "Beautiful Woods" retail stores offer hardwoods to home craftsmen.

At the helm of this 72-year-old firm based in Kansas City, Mo., is Frank Paxton, Jr., 67, who tells as many tales as there are woods.

Once, in the Bolivian mountains, Frank bought the only carload of *lapacho* wood that he believes ever entered the U.S. (Lapacho is an exotic hardwood resembling magnolia.) The entire shipment went for



FACTS, FACES & FABLES OF INTEREST TO HOME WOODWORKERS

FREE HELP IN IDENTIFYING THAT MYSTERY WOOD

When you come across wood you want to identify, but can't, what do you do?

Try the U.S. government. Madison, Wis. hosts the vast facilities of the Forest Service's Forest Products Laboratory, and they can help. In addition to research into maintaining, utilizing, and preserving our wood resource, the Laboratory also identifies it, free of charge.

There's no guarantee that they'll be able to tell you more than the wood's genus (oak, for instance) without your notes on origin and age, so provide this information if you can. Send a sample about 1×3×6" in size for examination (be sure you can spare it, as the wood cannot be returned). For a free fact sheet describing this service, write: *Wood Anatomy Research, USDA Forest Products Laboratory, 1 Gifford Pinchot Dr., Madison, WI 53705-2398.*

flooring in a Kansas City art museum. "I was lucky the architects loved it," he says, "there wasn't a demand for it anywhere else."

On his honeymoon, Frank traveled with his bride, Millie, to Africa. There they watched natives of the Cameroons harvest zebra-wood. "I had to take her to Paris on the way back," he relates.

A hardwood mogul he may be, but a woodworker he is not. Frank says his dad, who founded the company, made him take enough wood-working classes to last a lifetime. He loves wood, though, and marvels at what even amateur woodworkers make today. He's con-

AROUND THE NATION

Woodworking World Show, Jan. 10-12. Shamrock Hilton, Houston, Tex. Tools, demonstrations, seminars. **Jan. 24-26.** Constellation Hotel, Toronto, Ont., Canada.

Crafts-at-Close-Range, Feb. 8. Old Sturbridge Village, Sturbridge, Mass. Workshop on coopering. Requires reservation. Phone 617/347-3362.

The Woodworking Show, Feb. 14-16. San Diego Convention Center, San Diego, Calif. Supplies, tools, lectures, demonstrations.

Woodworking World Show, Feb. 14-16. Veterans Memorial Hall, Columbus, Ohio. Demonstrations, tools, seminars.

ACC Craftfair, Feb. 26-March 2. Baltimore Convention Center, Baltimore, Md. 500 fine craft exhibitors selling.

Craftmarket America, Feb. 26-28. Omni International Hotel, Baltimore, Md. 300 exhibitors selling fine crafts.

The Woodworking Show, Feb. 28-March 2. Pasadena Center, Pasadena, Calif. Lectures, tools, demonstrations.

Woodworking World Show, Feb. 28-March 2. Hyatt Regency Crystal City, Arlington, Va. Tools, demonstrations, seminars.



Frank Paxton, Jr.

cerned that the skills taught in vocational education, which contribute to the present high quality in wood-working, may be abandoned by schools in the near future.

"It's important that academics be applied," Frank states. "Youngsters should learn to use their hands as well as their minds, and build something." 🌲

Get the most out of your home woodworking with...

CHARTER OFFER

1 Year \$15
(6 issues)

SAVE \$2.70
off single-issue rate

Better Homes and Gardens®

WOOD

THE MAGAZINE FOR HOME WOODWORKERS



• **BASIC**
CON
now
the

• CL
tip
t

Better Homes and Gardens®

WOOD

THE MAGAZINE FOR HOME WOODWORKERS

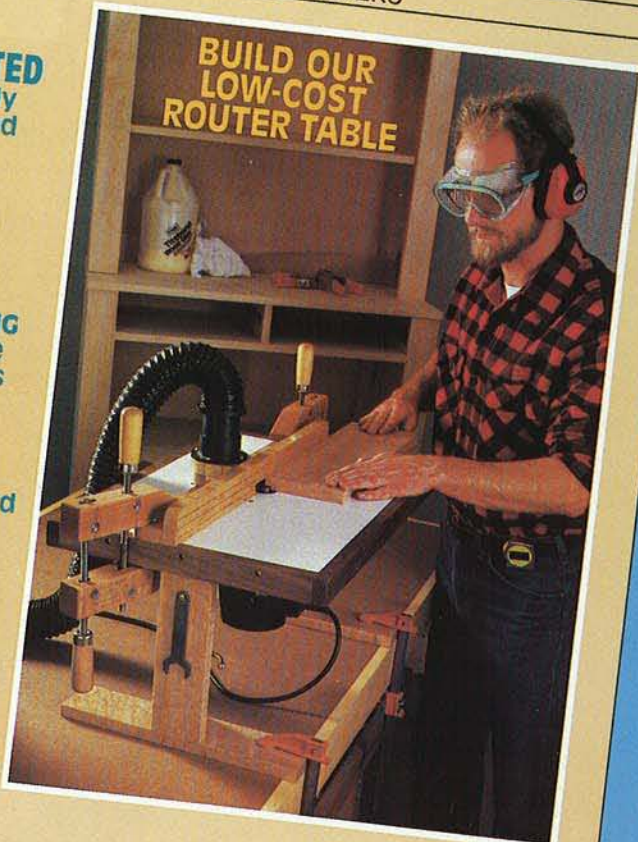
• **SHOP-TESTED**
how to apply
flexible wood
veneer

• **TABLE SAWS**
choosing the
right one for
your shop

• **WOOD CARVING**
a simple horse
for first-timers

• **LOTS OF PROJECTS**
Shaker cupboard
waterfall table
modular
workbenches
hall table

BUILD OUR
LOW-COST
ROUTER TABLE



Subscribe now...

..and enjoy home delivery of BETTER HOMES AND GARDENS® WOOD magazine. Whether you're an advanced craftsman or just beginning, WOOD shows you how to get the most satisfaction out of your woodworking. And it's packed full of all the solid woodworking know-how you need in your home workshop! Like —

Shop-tested techniques, from how to edge-join boards to directions for perfect miter joints.

Projects galore — from easy one-nighters to furniture and decks!

Advice on tools and materials. What to look for... which brand to buy... where to get them.

Step-by-step illustrations. With cutting lists, cutting diagrams and assembly instructions.

PLUS shop tips... workshop set-ups... tools to make — and more!

ORDER NOW — and enjoy Charter Savings and home delivery! Just fill out the attached Certificate and drop it in the mail — postage is paid.

Mail today!

Every Woodworking Project Starts With A Saw

SPECIAL FEATURES ON ALL FREUD SAWS:
BODY PLATE: 42 to 44 Rockwell "C" scale. Heat treated.
EXPANSION SLOTS: Allows blade to expand without distorting.
ARBOR HOLES: Machined and ground to perfect tolerances.
MAX RUN OUT TOLERANCES: ±.003.
MAX RPM'S: On a 10" diameter is 7000.

freud
 LU84M — 480 Ø 10" Z 50 HM
 N. MAX 7000

freud
 LM72M — 441 Ø 10 Z24 HM
 N. MAX 7000

Save On The World's Best Carbide Tipped Sawblades Through April 30, 1986.

Premium Quality

Premium Quality

Combination Grind

LU84M
 Hook angle 7°
 Carbide Used: C4

While this type of blade is a compromise of the following blades, it will give you the results you expect in your shop. No one blade will do it all, however this is the one that comes closest. Most woodworkers we know have one of them. They are practical and inexpensive.

Alternate Top Bevel

LU85M
 Hook angle 7°
 Carbide Used: C4

This is the world's best production made carbide sawblade. You can be sure of one thing that we are out to prove: You can spend as much as twice the price of our LU85M blade, but you will not find a better one!! We guarantee it! The use of this blade should be limited to super fine finish work only. The primary and secondary bevels and the teflon coating make this unique sawblade so very precise that the cut seems effortless in all kinds of materials.

Flat Top

LM72M
 Hook angle 20°
 Carbide Used: C2

This blade is designed for fast ripping along the grain of the wood. Excellent finish is obtained when ripping. The advantage of using a C2 grade carbide is to allow us to use an aggressive 20° hook for fast ripping and yet go through occasional knots without fracturing the tips.

STOCK #	DESCRIPTION	LIST	SALE
LM72M008	8 x 24 x 5/8 Flat Top	\$ 56.98	\$39.99
LM72M010	10 x 24 x 5/8 Flat Top	64.85	43.99
LM72M012	12 x 30 x 1 Flat Top	86.57	49.99
LU84M008	8 x 40 x 5/8 Comb.	71.53	43.99
LU84M009	9 x 40 x 5/8 Comb.	70.99	43.99
LU84M011	10 x 50 x 5/8 Comb.	74.51	43.99
LU84M012	12 x 60 x 1 Comb.	112.60	63.99
LU85M008	8 x 64 x 5/8 ATB	93.27	59.99
LU85M009	9 x 72 x 5/8 ATB	101.98	63.99
LU85M010	10 x 80 x 5/8 ATB	110.88	72.99
LU85M012	12 x 96 x 1 ATB	134.30	83.99

freud®

218 Feld Ave., High Point, NC 27264 • (919) 434-3171
 1570 Corporate Dr., Suite G, Costa Mesa, CA 92626 • (714) 751-8866
 In Canada 1(800) 387-7415

- In California
Call Toll Free
1-800-824-0141
- If You Live
In This Area
Call Toll Free
1-800-824-8045
- If You Live
In This Area
Call Toll Free
(Outside NC)
1-800-334-4107

