

Extra! Extra! Outstanding shop ideas inside

Better Homes and Gardens®

WOOD®

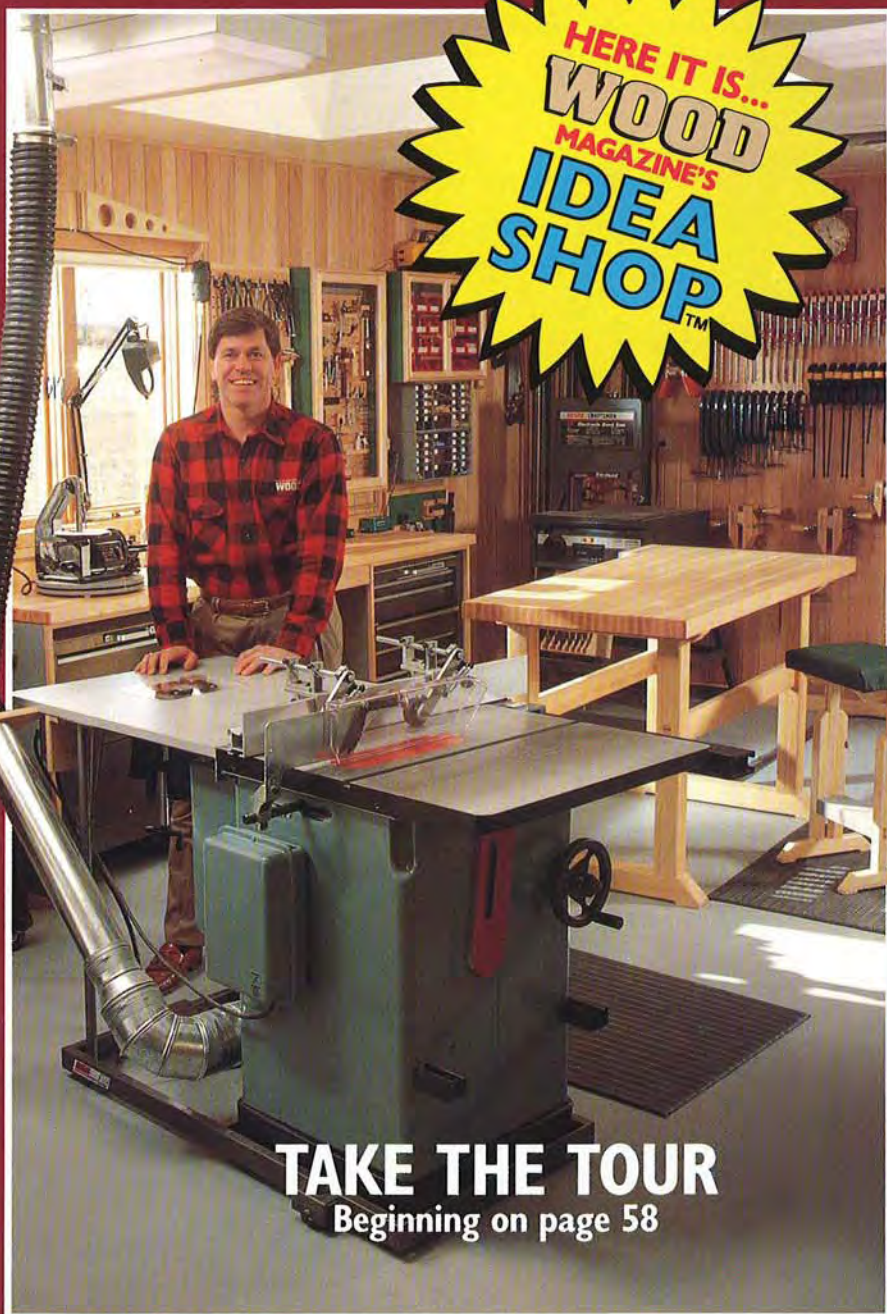
THE WORLD'S LEADING WOODWORKING MAGAZINE

SEPTEMBER 1992 • ISSUE NO. 54
Please display until September 14

IDEA SHOP LINEUP

- GREAT WAYS TO GET ORGANIZED
- SUPER PROJECTS
 - Tough workbench
 - Adjustable stool
 - Versatile cabinet
 - Workshop clock
- OUR TOOL PICKS

PLUS...
WE TEST 11
DUST COLLECTORS
DISCOVER THE JOY
OF WHITTLING



TAKE THE TOUR
Beginning on page 58



ASK ANYONE!

We are still the only company in the U.S. to provide a reference service whereby we will locate a customer near you who has bought a piece of equipment you are interested in and from whom you may get a first-hand, unbiased report on our equipment and service. **NOW THAT'S CONFIDENCE!**



IMPORTS, INC.

"IMPORTERS OF FINE MACHINERY"



NEW!

**15" BELT SANDER
MODEL G1052
ONLY \$795⁰⁰**

F.O.B. BELLINGHAM, WA or WILLIAMSPORT, PA



NEW!

**24" DRUM SANDER
MODEL G1066
ONLY \$1095⁰⁰**

F.O.B. BELLINGHAM, WA or WILLIAMSPORT, PA



**6" x 48" COMB. SANDER
MODEL G1014
ONLY \$195⁰⁰**

F.O.B. BELLINGHAM, WA or WILLIAMSPORT, PA



**10" HEAVY DUTY
TABLE SAW
MODEL G1022**

Reg. \$365 **SALE \$355⁰⁰**

F.O.B. BELLINGHAM, WA or WILLIAMSPORT, PA



**SUPER HEAVY-DUTY
TABLE SAW
MODEL G1023
ONLY \$895⁰⁰**

F.O.B. BELLINGHAM, WA or WILLIAMSPORT, PA



NEW!

**22" SCROLL SAW
MODEL G1060
ONLY \$149⁹⁵**

A LARGE CAPACITY
SCROLL SAW AT AN
UNBEATABLE PRICE!

**15" PLANER
MODEL G1021
ONLY \$735⁰⁰**

F.O.B. BELLINGHAM, WA or WILLIAMSPORT, PA

(STAND IS OPTIONAL)



**20" PLANER
MODEL G1033
ONLY \$1,295⁰⁰**

F.O.B. BELLINGHAM, WA or WILLIAMSPORT, PA



**2 H.P. DUST
COLLECTOR
MODEL G1029
ONLY \$295⁰⁰**

F.O.B. BELLINGHAM, WA or WILLIAMSPORT, PA



**1-1/2 H.P. SHAPER
MODEL G1035
ONLY \$495⁰⁰**

F.O.B. BELLINGHAM, WA or WILLIAMSPORT, PA



**3 H.P. SHAPER
MODEL G1026
ONLY \$850⁰⁰**

F.O.B. BELLINGHAM, WA or WILLIAMSPORT, PA



**6" x 47" HEAVY DUTY
JOINTER
MODEL G1182**

Reg. \$375 **ONLY \$345⁰⁰**

F.O.B. BELLINGHAM, WA or WILLIAMSPORT, PA



**8" x 65" SUPER HEAVY
DUTY JOINTER
MODEL G1018**

Reg. \$695 **SALE \$650⁰⁰**

F.O.B. BELLINGHAM, WA or WILLIAMSPORT, PA



**16" BAND SAW
MODEL G1538
ONLY \$525⁰⁰**

F.O.B. BELLINGHAM, WA or WILLIAMSPORT, PA



IF YOU LIVE
WEST
OF THE MOUNTAINS

P.O. BOX 2069
BELLINGHAM, WA 98227
Customer Service: (206) 647-0801

ORDERS: **1-800-541-5537**

92-114



IF YOU LIVE
EAST
OF THE MOUNTAINS

2406 REACH ROAD
WILLIAMSPORT, PA 17701
Customer Service: (717) 326-3806

ORDERS: **1-800-523-4777**

THE EDITOR'S ANGLE

Print this article

A REAL TEAM EFFORT

Have you ever gotten involved in a project and then midway through realized how large of a job it actually was? Well, that's what happened to the staff and me with the IDEA SHOP.

When the concept first surfaced over a year ago, everyone liked it immediately. And judging from the many letters we've received from readers asking for information about setting up and organizing a shop, we knew you would be interested in what we could come up with.

We approached the project with the zeal of newly ordained missionaries. I volunteered to insulate and drywall the walls and ceiling of our unfinished 14x28' space, install a couple of skylights, and finish the walls with hemlock paneling boards. Jim Downing, with input from fellow staffers, drew up the floor plan and the other construction drawings. And Jim Harrold began contacting manufacturers to tell them about the IDEA SHOP.

Soon, material, tools, and supplies began arriving, and the project designing and building commenced. One good idea led to another, and, before long, it became obvious to us that we had enlarged the project considerably.

Fortunately, the WOOD® staff is one that won't back down from

Photograph: John Hetherington



The IDEA SHOP mover/shaker club: (left) Jim Harrold, Jim Downing, Bill Krier, Chuck Hedlund, Marlen Kemmet, and Jim Boelling.

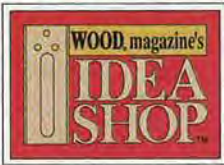
a challenge. Together, along with some talented free-lancers, we made the IDEA SHOP happen, and we hope you like what you see, starting on page 58.

At this time, I'd like to recognize several people for the large parts they played in this project. First, my hat goes off to Jim Downing, who first thought of the idea and later stepped forward as the project manager.

Next, my sincere thanks go to Jim Harrold, who served as our main contact with the many manufacturers involved. And we couldn't have pulled off the project without the able assistance of Bill Krier, who helped select and lay in the woodworking machinery, and Marlen Kemmet, Jim Boelling, and Jim Downing, who did the lion's share of the project designing for the shop.

And finally, thanks to all of the IDEA SHOP project builders, especially Chuck Hedlund, who helped to put the finishing touches on the IDEA SHOP when the rest of us were plumb tuckered out. Way to go, everyone! ♣

Larry Clayton



LABOR DAY SALE

EXPIRES 9-30-92 *Toy Builders!*



	SALE
2" Spoke Wheel w/pegs	\$10.00 / 12 \$ 8.50 / 12
1" Toy Wheels	\$ 6.00 / 100 \$ 4.50 / 100
1-1/4" Toy Wheels	\$ 8.00 / 100 \$ 6.50 / 100
1-1/2" Toy Wheels	\$10.00 / 100 \$ 7.50 / 100
2" Toy Wheels	\$18.00 / 100 \$15.50 / 100
Axle peg for above wheels	\$ 5.00 / 100 \$ 3.00 / 100
2-3/8" Little Man	\$ 1.60 / 7 \$ 1.25 / 7
1-5/8" Pickle Barrel	\$ 3.00 / 12 \$ 2.50 / 12
1" Treaded Tire	\$10.00 / 100 \$ 8.00 / 100
1-1/4" Treaded Tire	\$12.00 / 100 \$10.00 / 100
2-3/4" Treaded Tire NEW	\$15.00 / 24 \$ 9.60 / 24



	SALE
1-3/8" Candle Cup	\$18.00 / 100 \$15.00 / 100
1/4" x 36" Birch Dowel	\$ 5.50 / 25 \$ 4.50 / 25
3/8" x 36" Birch Dowel	\$ 8.75 / 25 \$ 7.00 / 25
1-3/4" Mini Peg	\$ 7.50 / 100 \$ 6.00 / 100
3-1/2" Shaker Peg	\$15.00 / 100 \$11.50 / 100
3/8" or 1/2" Birch Button	\$ 2.00 / 100 \$ 1.50 / 100
1-1/2" Birch Spindle	\$10.00 / 100 \$ 8.00 / 100
5-3/4" Birch Spindle	\$10.00 / 25 \$ 8.75 / 25
12" Ramin Spindle 1/2 OFF	\$20.00 / 40 \$10.00 / 40



3" Lazy Susans	\$ 1.25 / 1 \$.90 / 1
4" Lazy Susans	\$ 1.50 / 1 \$ 1.20 / 1
1/2" Brass Cup Hooks	\$ 4.50 / 100 \$ 3.50 / 100
3/4" Brass Cup Hooks	\$ 5.00 / 100 \$ 4.00 / 100
#17 Brass Screw Eye	\$ 2.50 / 100 \$ 2.00 / 100
1" x 3/4" Brass Butt Hinge	\$ 1.70 / 10 \$ 1.20 / 10
1-1/2" x 1-1/2" Brass Hinge	\$ 2.70 / 10 \$ 2.20 / 10
#4 x 1/2" Screws for Hinge	\$ 2.50 / 100 \$ 2.00 / 100
#6 x 1-1/4" Wood Screw	\$ 2.40 / 100 \$ 2.00 / 100
1-5/8" Sawtooth Hanger	\$ 4.00 / 100 \$ 3.00 / 100
5/8" Picture Hanger	\$ 2.00 / 100 \$ 1.50 / 100

1-800-722-0311

To receive sale prices use Sale #B52

FREE ALL NEW WOOD PARTS CATALOG \$1.00 With Order

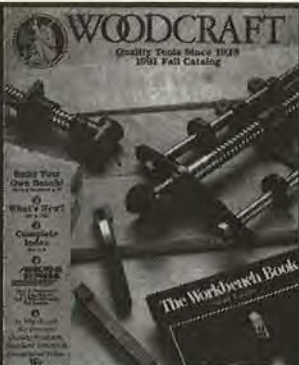
We accept M/C, VISA Check, or M.O. All orders add \$4.00 Handling TX add 7% tax. Canada add 30% Alaska, Hawaii add 15% for freight.

Woodworks

P.O. Box 14507 Ft. Worth, TX 76117

SUBSCRIPTION SERVICE: For a change of address it is best for you to directly contact your local Postmaster who then will notify us. For any other service on your subscription, please write WOOD Customer Service, P.O. Box 55050, Boulder, CO 80322-5050 (enclose a recent label from your magazine for better service). Or you may phone toll-free 800-374-9663.
EDITORIAL MAILING ADDRESS: WOOD magazine, 1912 Grand Ave., Des Moines, IA 50309-3379. **WE CARE!**

FREE TOOL CATALOG



Woodcraft offers over 4,000 of the finest quality woodworking tools, books, and supplies available today in our 132 page, full-color catalog. With Woodcraft's top-notch service, technical support, and 90 day guarantee of satisfaction, you can't afford to pass up this opportunity for a free catalog.

Call toll-free:

1-800-542-9115

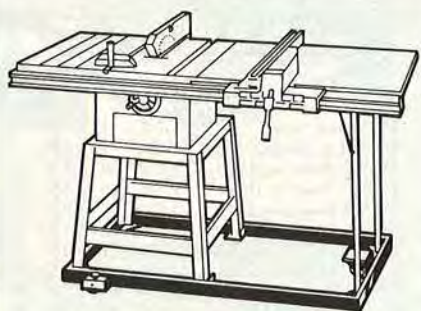
Or write:

WOODCRAFT

Dept. 92W109S
210 Wood County Industrial Park
P. O. Box 16886
Parkersburg, WV 26102-1686

Put Your Entire Shop On Wheels

MOBILE MACHINE BASES



- Increase your working area
- Store machines when not in use
- Hundreds of models available
- Precision welded steel construction
- Three 2-1/2" wheels for stability
- Dual wheel locks provide positive positioning
- Lifetime warranty

Call for a free catalog



HTC Products, Inc.
120 E. Hudson • P.O. Box 839
Royal Oak, Michigan 48068-0839

(800) 624-2027

Better Homes and Gardens.

WOOD®

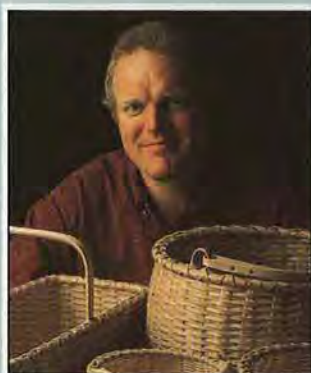
THE WORLD'S LEADING WOODWORKING MAGAZINE

This issue's cover wood grain: sycamore

Cover photo: Hopkins Associates

SEPTEMBER 1992

ISSUE NO. 54



CRAFTSMAN CLOSE-UP

Split-ash baskets: Maine style 35

Follow basketmaker Stephen Zeh as he harvests black-ash trees, works the logs into pliable strips, and then weaves the strips into incredibly handsome all-wood baskets of many types and sizes.

CARVING

Whittling, woodworking that's strictly for fun 40

With a stick, pocketknife, and idle time, you can make any number of precious small figures with the friendly guidance found here.



TOOL BUYMANSHIP

Meet the dust guzzlers 42

Need big-time help controlling your shop's sawdust? How about a dust collector? For your shopping convenience, we put 11 models to the test and tell which ones take top honors for performance and value.

IN SEARCH OF THE PERFECT FINISH

Art Carpenter's linseed-turpentine-varnish 48

A California master craftsman shares the ingredients of his homemade finish and tells how to apply it for outstanding results every time. This may be the finish you've always wanted.



THE CRAFT SHOP

Classy tissue box cover-up 50

Cover the cardboard container your tissues typically come in with this stylish walnut box.



Fun-to-fashion letter openers 52

Play up the beauty of your wood's grain while crafting one or more of these attractive desk accessories. They make perfect gifts.

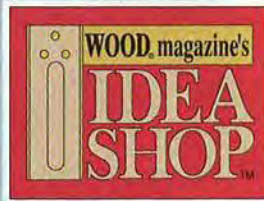
TURNING

Tagua turning 54

Shape rings, tiny goblets, and other fine pieces with a material that looks like ivory and works like wood.

Here it is! 58

Whether you're looking for great workshop projects, safety tips, or help in laying out a shop, you'll find everything you need in *WOOD* magazine's all-new IDEA SHOP™.



A workhorse of a workbench 64

Treat yourself to the workbench you've always wanted. This first-class design features a bench vise, dogs, and rugged laminated maple top.



Sit-a-spell shop stool 70

Give those legs a rest with this comfortable project. Dowel pins along the sides let you adjust the seat up or down as needed.

Universal wall-cabinet system 74

Drill bits, lathe tools, hand planes—these make up only a few of the many items you can store in this clever system. Learn how to customize the cabinet for your collections.



Workshop clock 80

Looking for a project that proclaims your love of woodworking? Nothing does it better than our plane-motif shop clock.

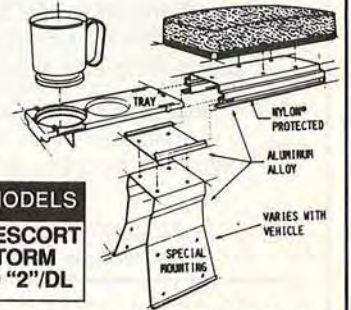
Stocked for success 82

Here, find the sources for all of our IDEA SHOP tools and products.

SHORT-SUBJECT FEATURES

Editor's Angle	1	Great Ideas For Your Shop	32
Talking Back	6	Tool List (continued)	84
Tips From Your Shop	12	Tool Update	88
Tool Industry Insider	22	Wood Anecdote	92
Products That Perform	24	Finishing Touches	100

— TracTop® — ARMRESTS



NEW MODELS

FORD ESCORT
GEO STORM
VOLVO "2"/DL

EXCLUSIVE SLIDING CUSHION with PULL-OUT TRAY. First Choice for comfort, features, and appearance. Install yourself.

- | | |
|---------------------------|---------------------------|
| HONDA ACCORD — CIVIC | ACURA INTEGRA |
| VW JETTA — GOLF — PASSAT | NISSAN MAXIMA — SENTRA |
| VOLVO "2"/DL — 740/760 | SAAB 900 |
| AUDI (1980-'87) | GM S-10 BLAZER — CAVALIER |
| BMW "3" Series | TOYOTA CAMRY — CRESSIDA |
| SUBARU LEGACY — XT | MAZDA 626 — RX-7 |
| PEUGEOT 405 — PORSCHE 944 | Others. |

Most models and years covered. Call/Write for free literature. Return guarantee. VISA/MC phone orders. Our 11th year as #1.

HUSCO ENGINEERING CO., INC.
17 Calvin Rd., Wilton, CT 06897 (203) 762-3181



Sheep Planter Plan

This sheep grazes wherever you need a colorful accent! Pattern is drawn FULL SIZE. Hardware parts available below.

#W885 Sheep Planter Plan..... \$6.99/EA

Sheep Planter Hardware Parts

Includes planter box liner, eyes, sheep's wool, and bell. Not Included: plan, screws, wood, flowers or paint.

#3350 Sheep Planter Hdw. Parts. \$12.99/PKG

HOW TO ORDER: List quantity, part number, item, price & total of order. Include \$4.95 shipping & handling per order. MN residents add 6.5% sales tax. Mail check or money order. Credit card customers call TOLL FREE 1-800-441-9870.

MEISEL HARDWARE SPECIALTIES
P.O. BOX 70 W 9 MOUND, MN 55364

FREE Clockmaking Catalog

Yes... FREE! Few things are attainable at no cost these days, but we can guarantee that KLOCKIT'S new Fall '92 catalog is. It's 64 exciting, new pages of clockmaking and wood projects.



Clock Kits for All Skill Levels • Wood Models, Whirligigs
American-made Quartz Movements • Mechanicals
Woodworking Plans • Wood Parts • Music Movements
Weather Stations & Instruments

All at competitive prices. Let us introduce you to the wonderful world of clockmaking.

Name _____
Address _____
City _____ State _____ Zip _____
Or call Toll-Free 1-800-556-2548 and mention Dept. WD923

KLOCKIT™

P.O. Box 542, Dept. WD923
Lake Geneva, WI 53147

Better Homes and Gardens® WOOD

THE WORLD'S LEADING
WOODWORKING MAGAZINE

September 1992 • Vol. 9, No. 6 • Issue No. 54

Editorial/Art Staff

Editor **LARRY CLAYTON**
Managing Editor **JIM HARROLD**
Art Director **C. L. GATZKE**
Design Editor **JAMES R. DOWNING**
Senior Editor **PETER J. STEPHANO**
How-To Editor **MARLEN KEMMET**
Products/Techniques Editor **BILL KRIER**
Special-Interest Editor **LARRY JOHNSTON**
Assistant Art Director **PERRY A. MCFARLIN**
Graphic Designer **CHERYL A. CIBULA**
Project Builder **JAMES E. BOELLING**
Production/Office Manager **DARLENE REYNOLDS**
Administrative Assistant **MARGARET CLOSNER**
Secretary **ROSEMARIE BURCH**

Technical Consultants: Product Testing **GEORGE GRANSETH**,
BOB MCFARLIN; Products That Perform **STEVE OSWALT**;
Wood Science **PAUL MCCLURE**; Collectible Tools
PHILIP WHITBY; Carving **HARLEY REFSAL**; Projects
CHUCK HEDLUND

Publisher **WILLIAM R. REED**
Advertising Director **CHRIS W. SCHAFFT**
Advertising Representatives **CRAIG KAPLAN**,
BRENDEAN DELANEY
Promotion/Research Director **EILEEN SULLIVAN**
Advertising/Marketing Services Manager **SIGRID FOLKERS**
Publisher's Assistant **NANCY LOPEZ**
Advertising Assistant **KIMBERLY DAVIS**
ADVERTISING OFFICES: 750 Third Ave., New York,
NY 10017. Phone 212/551-6903.

Circulation Manager **ALAN BRUSH**
Newsstand Circulation Director **MICHAEL SENIOR**
Business Manager **TERRY UNSWORTH**
Production Director **ROBERT C. FURSTENAU**
Public Relations **SONDY DAGGETT**

Magazine Group Officers

Group President **WILLIAM T. KERR**
SVP, Publishing Director **ADOLPH AUERBACHER**
SVP, Editorial Director **DORIS EBY**
SVP, Operations **DEAN PIETERS**
Group VPs: Publishing Directors **MYRNA BLYTH**,
BURTON H. BOERSMA, **CHRISTOPHER M. LEHMAN**
Controller **MAX RUNCIMAN**

Corporate Officers

Chairman of Executive Committee **E.T. MEREDITH III**
Chairman of the Board **ROBERT A. BURNETT**
President and Chief Executive Officer **JACK D. REHM**
Group Presidents: Broadcasting **PHILIP A. JONES**;
Magazine **WILLIAM T. KERR**; Real Estate **ALLEN SABBAG**;
Books **JOSEPH J. WARD**

Better Homes and Gardens® WOOD® (ISSN-0743-894X) is published nine times a year in January, February, April, June, August, September, October, November, and December by Meredith Corporation, 1716 Locust St., Des Moines, IA 50309-3023. Second-class postage paid at Des Moines, Iowa, and at additional mailing offices. Better Homes and Gardens trademark registered in Canada and Australia. Marca Registrada en México. ONE-YEAR SUBSCRIPTION PRICES: U.S. and its possessions, \$24.97; Canada, \$34; other countries, \$38. POSTMASTER: Send address changes to WOOD, P.O. Box 55050, Boulder CO 80322-5050. ©COPYRIGHT MEREDITH CORPORATION 1992. ALL RIGHTS RESERVED. PRINTED IN U.S.A. Canadian GST Reg. #R123482887.

MPA



Better Backyards!

BACKYARD LANDSCAPER helps convert blah backyards into inviting retreats. Contains 40 professional designs to do yourself or contract out. Installation Blueprints and Regionalized Plant Lists available separately. 160 pages, 171 color photos/drawings.

HOME LANDSCAPER offers 40 front-yard and 15 backyard designs. Installation Blueprints and Regionalized Plant Lists available separately. 208 pages, 172 color photos/drawings.

DECK PLANNER gives you 25 different decks to build or contract that match a wide variety of house styles. Project starters and how-to tips included. Complete Construction Blueprints and Materials Lists available separately. 112 pages, 196 photos/drawings.



CALL TOLL-FREE
1-800-322-6797
In Canada 1-800-848-2550

Rush me the following books:

- | | | | |
|--|---------------------------|--|---------------------------|
| <input type="checkbox"/> Deck Planner | \$7.95
(\$9.95 Can.) | <input type="checkbox"/> Home Landscaper | \$12.95
(\$15.95 Can.) |
| <input type="checkbox"/> Backyard Landscaper | \$12.95
(\$15.95 Can.) | <input type="checkbox"/> ALL 3 BOOKS | \$21.95
(\$26.95 Can.) |
- Save 35%!

Satisfaction Guaranteed!

Name _____
Address _____
City _____ State _____ Zip _____
Order Value \$ _____
Tax AZ 5% _____
MI 4% \$ _____
Postage \$ 3.00
Total Enclosed \$ _____



HOME PLANNERS, INC. WMM28
Dept. BK, 3275 W. Ina Rd., Suite 110 Tucson, AZ 85741

"Only Premium Quality Tools For Professionals"

CMT Tools



5425 Beaumont Center Blvd., Suite 900, Tampa, FL 33634 1-813-886-1819, FAX 1-813-888-6614

1/2" Radius Rule Joints



Produce perfect drop leaves with a matched set of 1/2" radius Cove and Roundover bits. Use the Roundover bit to produce a radius with inset bead on the table and the Cove to cut a matching concave cut on the leaf. The result is a beautiful joint whether the leaf is up or down.

- 838-3801 1/4" Shank Roundover **Sale: \$25.00**
- 837-350 1/4" Shank Cove **Sale: \$24.00**
- 838-880 1/2" Shank Roundover **Sale: \$31.00**
- 837-850 1/2" Shank Cove **Sale: \$26.00**

Rabbeting Kit



With a single bit and 4 bearings, you can cut precise, clean rabbets at four convenient depths. Choose a 1/4" or 1/2" shank set, either way you'll get a carbide-tipped, Teflon®-coated bit, an allen wrench and bearings to produce 1/4", 5/16", 3/8" & 7/16" deep rabbets (cuts shown full-size below). Bits deliver cutting heights of up to 3/8".

- 800-607 1/4" Shank Set **Sale: \$29.90**
- 800-608 1/2" Shank Set **Sale: \$32.90**



Solid Brass Inlay Set



Simplify inlay work and increase accuracy with CMT's new inlay set. The solid brass template guide will follow any 1/4" thick pattern, allowing you to produce perfectly-fit inlays in any shape. Fits Porter-Cable, Black & Decker and similar bases and any other router with a manufacturer-supplied adapter for Porter-Cable template guides. Includes solid carbide spiral bit, template guides and complete instructions.

- 880-002K **Sale: \$34.90**

Top-Bearing Pattern Bits



See the pattern and the workpiece, with CMT's top-bearing bits. Top bearings make pattern work easier and safer. Use the allen wrench to remove the bearing, and you have a fine carbide-tipped straight bit.

- | Item | Cut Dia. | Cut Lgth | Sale |
|-----------|----------|----------|---------|
| 811-127B | 1/2" | 3/4" | \$21.60 |
| 811-158B | 5/8" | 3/4" | \$21.10 |
| 811-191B | 3/4" | 3/4" | \$21.70 |
| 811-690B* | 3/4" | 1" | \$26.00 |
- *1/2" Shank

Top-Bearing V-Groove Bits



CMT's V-groove bits give you lots of choices: veins, 45° chamfers, even eye-catching sign lettering. With the top-bearing you can follow any pattern you choose to create dramatic decorative effects.

- | Item | Cut Dia. | Cut Lgth | Sale |
|-----------|----------|----------|---------|
| 815-127B | 1/2" | 1/2" | \$27.70 |
| 815-690B* | 3/4" | 5/8" | \$34.00 |
- *1/2" Shank

European Hinge Bit



Our finest carbide-tipped 35mm boring bit cuts clean holes for European hinges. Recommended for drill press w/1/2" or larger chuck. Right Hand rotation. Other sizes available.

- 317-350-11 **Sale: \$26.40**

What's In The Box?

CMT offers nine premium router bit sets. Six sets include the beautiful Italian hardwood case shown at right, and every set features bits with CMX-4 Micrograin carbide, Teflon® coating, anti-kickback design and the engineering expertise of CMT! All bits carbide-tipped or solid carbide.



Sets With Hardwood Case:

- 800-500 1/4" Shank Set For Inca, 6 Dovetail & 2 Straight **Sale: \$ 99.00**
- 800-501 1/2" Shank Set For Inca, 6 Dovetail & 2 Straight **Sale: \$109.00**
- 800-502 1/4" & 1/2" Shank Set for Leigh w/ 7 Dovetail & 3 Straight **Sale: \$129.00**
- 800-503 12-Pc. 1/4" Shank Set, w/ Chamfer, Rabbet, Radius, Flush Trim, Cove, Ogee, Dovetail, V-Groove, Mortising, Round Nose & 2 Straight **Sale: \$159.00**
- 800-504 6-Piece 1/2" Shank Set, w/ Round Nose, Cove, Rabbeting, Roundover, Ogee & Chamfer Bits **Sale: \$119.00**
- 800-505 13-Pc. 1/2" Shank Set, w/ Cove, Rabbeting, Ogee, Chamfer, Roundover, Dovetail, Round Nose, V-Groove, Flush Trim, Mortising and 3 Straight **Sale: \$199.00**

Brand New Sets carefully packed in sturdy cartons:

- 800-611 1/4" Shank Set for Porter-Cable OmniJig, w/ 3 Dovetail, 2 Straight & 1 Top Bearing Bit **Sale: \$89.00**
- 800-609 1/4" Shank Set for JoinTECH Jig, w/ 3 Dovetail & 2 Str. **Sale: \$62.00**
- 800-610 1/2" Shank Set for JoinTECH Jig, w/ 3 Dovetail & 2 Str. **Sale: \$69.00**

Why should CMT bits be in your shop?

To find out, take the CMT "self test" below:

	CMT		Your Bits	
	Yes	No	Yes	No
1) Do your bit bodies have Anti-kickback Design for safety (3/4" diameter or larger)?...	<input checked="" type="checkbox"/>	<input type="checkbox"/>	<input type="checkbox"/>	<input type="checkbox"/>
2) Are your bits Teflon® coated to help reduce pitch and gum buildup?.....	<input checked="" type="checkbox"/>	<input type="checkbox"/>	<input type="checkbox"/>	<input type="checkbox"/>
3) Are your bits machined from a Solid Block of Steel instead of investment castings?.....	<input checked="" type="checkbox"/>	<input type="checkbox"/>	<input type="checkbox"/>	<input type="checkbox"/>
4) Does every bit feature Micrograin Carbide for sharper edges and longer life?.....	<input checked="" type="checkbox"/>	<input type="checkbox"/>	<input type="checkbox"/>	<input type="checkbox"/>
5) Do your straight bits have Radially-relieved Cutting Edges for faster feed rates?.....	<input checked="" type="checkbox"/>	<input type="checkbox"/>	<input type="checkbox"/>	<input type="checkbox"/>
6) Are both the face & outside diameter of the carbide Precision Ground for better cutting?.....	<input checked="" type="checkbox"/>	<input type="checkbox"/>	<input type="checkbox"/>	<input type="checkbox"/>
7) Do your bits have a Mirror Finish on the carbide for long-lasting sharpness?.....	<input checked="" type="checkbox"/>	<input type="checkbox"/>	<input type="checkbox"/>	<input type="checkbox"/>
8) Do all profile bits have Shear Angles that allow the cutters to slice rather than "chop"?.....	<input checked="" type="checkbox"/>	<input type="checkbox"/>	<input type="checkbox"/>	<input type="checkbox"/>
9) Does your router bit supplier offer a lifetime warranty?.....	<input checked="" type="checkbox"/>	<input type="checkbox"/>	<input type="checkbox"/>	<input type="checkbox"/>

Now, check your score. If there is even one "No" in your present bits' column, then you need CMT bits.

Send \$2.00 For Our Catalog. In Canada call 1-416-663-8665

To Order, Call 1-800-531-5559. Shipping Charge Only \$4.00. Dealer Inquiries Welcome!

CLASSICS!

We offer a wide variety of classical bits. Set the standard for table, furniture and edge work. Give your work a custom look.

1/4" SHANK

PART	CUTTER DIA. A	CUTTING LENGTH B	OVERALL LENGTH C	CUTTING WIDTH W	PRICE
C1289	1-1/4"	5/8"	2-1/8"	3/8"	\$25 ⁰⁰
C1290	1-1/2"	5/8"	2-1/4"	1/2"	\$25 ⁰⁰

1/2" SHANK

PART	CUTTER DIA. A	CUTTING LENGTH B	OVERALL LENGTH C	CUTTING WIDTH W	PRICE
C1291	1-1/4"	5/8"	2-1/8"	3/8"	\$25 ⁰⁰
C1292	1-1/2"	5/8"	2-1/4"	1/2"	\$25 ⁰⁰

1/4" SHANK

PART	CUTTER DIA. A	CUTTING LENGTH B	OVERALL LENGTH C	CUTTING WIDTH W	PRICE
C1293	1-1/8"	1/2"	2-1/8"	5/16"	\$25 ⁰⁰
C1294	1-3/8"	11/16"	2-1/4"	7/16"	\$25 ⁰⁰

1/2" SHANK

PART	CUTTER DIA. A	CUTTING LENGTH B	OVERALL LENGTH C	CUTTING WIDTH W	PRICE
C1295	1-1/8"	1/2"	2-1/4"	5/16"	\$25 ⁰⁰
C1296	1-3/8"	5/8"	2-1/2"	7/16"	\$25 ⁰⁰

1/4" SHANK

PART	CUTTER DIA. A	CUTTING LENGTH B	OVERALL LENGTH C	CUTTING WIDTH W	PRICE
C1297	1-1/4"	5/8"	2-1/8"	3/8"	\$25 ⁰⁰
C1298	1-3/8"	5/8"	2-1/8"	7/16"	\$25 ⁰⁰

1/2" SHANK

PART	CUTTER DIA. A	CUTTING LENGTH B	OVERALL LENGTH C	CUTTING WIDTH W	PRICE
C1299	1-3/8"	1/2"	1-3/8"	7/16"	\$25 ⁰⁰
C1300	1-5/8"	3/4"	2-1/2"	9/16"	\$25 ⁰⁰

1/4" SHANK

PART	CUTTER DIA. A	CUTTING LENGTH B	OVERALL LENGTH C	CUTTING WIDTH W	PRICE
C1301	1-1/2"	3/4"	2-1/4"	1/2"	\$25 ⁰⁰

1/2" SHANK

PART	CUTTER DIA. A	CUTTING LENGTH B	OVERALL LENGTH C	CUTTING WIDTH W	PRICE
C1302	1-5/8"	7/8"	2-3/4"	9/16"	\$25 ⁰⁰

1/2" SHANK

PART	CUTTER DIA. A	CUTTING LENGTH B	OVERALL LENGTH C	BEAD DIA. b	PRICE
C1262	1-1/8"	7/8"	2-3/8"	1/4"	\$20 ⁰⁰
C1263	1-3/8"	1"	2-1/2"	5/16"	\$22 ⁰⁰
C1264	1-5/8"	1-1/4"	2-3/4"	3/8"	\$24 ⁰⁰

EXCLUSIVE DISTRIBUTOR OF  INDUSTRIAL CARBIDE TOOLING

ASK FOR A FREE CATALOG!


FREE SHIPPING ON ORDERS TOTALING \$100 OR MORE!



1-800-235-0272

ORDER 24 hrs. A DAY!



We welcome comments, criticisms, suggestions, and even compliments. Send your correspondence to: Talking Back, Better Homes and Gardens WOOD magazine, P.O. Box 11454, Des Moines, IA 50336-1454.  Print this article

More tips on lumber buying

I am a graduate of the NHLA grading school in Memphis, Tenn. I have six year's experience as a lumber inspector at Craig Lumber Corp, Colliersville, Tenn. Your article "Lumber Buying Tips," in the April 1992 issue states that surfaced stock is 4/4" and rough stock is about 1/8" thicker. This is not correct. Rough 4/4" stock must be no more than 1/16" under 1". Standard surfaced thickness for 6/4" and thinner lumber must be no more than 3/16" less than the rough measurement. Therefore 4/4" rough would be no less than 3/4". (Typically, 4/4" is normally translated to mean 1" thick.)

—David N. Vaughn, Colliersville, Tenn.

Found! Peg for Plate Rack

Your article in the April 1992 issue on the "Prize-winning Plate Rack" was a perfect fit for what I needed to complement my plate collection. So, I rushed out to my shop and in short order had a red-oak replica cut out, sanded, and ready to put together—except for one small item. I did not have, nor could I find anywhere in Oklahoma City, a 1 3/4" shaker peg with a 3/8" wide tenon. A frantic search in supply catalogs failed as well. Help!

—C.B. "Chuck" Bolar, Oklahoma City, Okla.



Chuck, your search has ended. You can order those pegs from the Woodworker's Supply catalog. Ask for "Large micro-shaker pegs," item no. 821-763 in maple or 821-770 in walnut (sorry, no oak, you'll have to stain). These measure 1 1/4" long, plus the tenon which

is 1/2" to give you an overall length of 1 3/4". The tenon fits a 3/8" hole, so you won't have to redrill. To order, write: Woodworker's Supply, 1108 N. Glenn Rd., Casper, WY 82601. Or call: 800/645-9292.

Lives at Old Up Yonder Way

All ye woodworkers take heed, Albert Raboff, featured in the April 1992 issue in *Front and Center*, page 88, lives at 225 Old Up Yonder Way, Santa Cruz, CA 90756, if you want to contact him. We somehow goofed a bit on the address.

Replacing pulleys a must

It's about time someone provided an improvement in the power train for our many wood-working machines. I refer to "Products That Perform," September 1991 issue. The Power Twist Belt and machined and balanced cast-iron pulleys should go a long way to improve performance of the common vee belt and zinc-based die-cast pulleys of questionable accuracy. I wish changing the pulley and belt were easier. Why don't tablesaw manufacturers blank out an opening to change the saw arbor pulley? It would be so easy for them to do.

—George Tinetti, Mesa, Ariz.

Bonnie Klein inspires woodturners

Just finished reading your wonderful article about Bonnie Klein and her "Grand Turnings," in the January 1992 issue. My family and I attended the Puyallup, Washington, Fair last year. Bonnie was one of the artisans in the crafts pavillion. She was spinning blocks of maple on her lathe into little finger tops. The crowd was fascinated! She was warm and open, and shared her knowledge and enthusiasm with the woodturners in the audience. As soon as I got home, I started turning tops on my Shopsmith. Thanks to Bonnie's sharing, all the kids in our neighborhood now have colored spin tops.

—Gary Estes, Issaquah, Wash.

Gary, we like Bonnie a lot, too. And the talented lady has really done a bunch to inspire woodturners and promote the skill. We're glad that you had the pleasure of meeting her.

Horse sense solves sawdust situation

I'm writing regarding a "Talking Back" letter about the accumulation of sawdust. I have a solution to that problem. Buy your wife a horse. My wife comes to my woodshop and carries away all the sawdust I make and uses it for bedding for her horses. People in your area with horses would be happy to haul sawdust away and even pay for it.

—Ike Borland, Warren, Penn.

Good idea, Ike. Only one warning: Don't use walnut sawdust for horse bedding. It's toxic to them and can actually kill a horse, according to Eric Reinertson, DVM, Equine Clinic, College of Veterinary Medicine, Iowa State University, Ames.

Continued on page 8



GET TO THE FINISH LINE FASTER

WITH THE HORSEPOWER, SPEED AND PRECISION OF A PERFORMAX DRUM SANDER

Stride forward to your next project faster. A Performax Drum Sander will reduce your project time from start to finish. Exclusive features allow you to surface rough-sawn lumber, to dimension "unusable" stock, to clean-up glued panels, to finish sand the thinnest veneers, to sand stock as wide as 44", as short as 2½", and as thick as 4".

Don't be left in the sawdust. Select the model to fit your budget and your needs. Prices start at \$300. Call Toll-Free today for brochures and the dealer nearest you, or write to:



Made in the U.S.A.

12211 Woodlake Drive, WD2, Burnsville, MN 55337

PERFORMAX
PRODUCTS, INC. X

1-800-334-4910
or (612) 895-9922

SECO DUST COLLECTORS

\$275.00



UFO-101
Motor: 2HP
Air capacity: 1182CFM (33M³/min)
Inlets diameter: 5" (125mm) Ø×1
4" (100mm) Ø×2
Bag capacity: 5.24cuft (0.15M³)

\$160.00



UFO-90
Motor: 1HP
Air capacity: 610CFM (17M³/min)
Inlet diameter: 4" (100mm) Ø×1
Bag capacity: 2.5cuft (0.07M³)

SECO INVESTMENTS COMPANY
(Woodworking Machinery Division)
315 Cloverleaf Drive #C Baldwin Park, CA91706
Tel: (818) 333-1799 Fax: (818) 333-1899

DISTRIBUTOR INQUIRIES WELCOME
See us at IWF Show — Atlanta; Booth #6076

TALKING BACK

Continued from page 7

Plaudits for Products Guide

The complaint about your November 1991 "Products Guide" issue is unwarranted. I found it very helpful in acquiring new products for my shop. Where else can you find out what's new without hours of searching through the stores and catalogs? I also subscribe to several other woodworking magazines—and find them lacking in new-product information. I appreciate the help your "Products Guide" has given me, and I hope you continue it.

—Tom Spencer, San Mateo, Calif.

More advice on using resin finishes

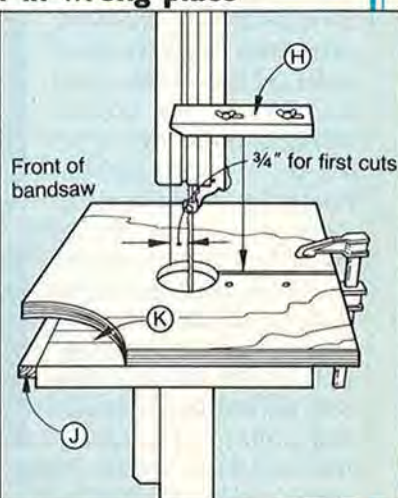
In the December 1991 issue you answered a question on how to use high-gloss resin as a finish [page 30]. I've used resin finishes for years, and here's a trick I've learned: Before pouring the resin, put masking tape on the bottom of the project and trim it with a razor blade to follow the contour of the edge. When you pour, you will get some runoff, and it will bead up on the tape you put on the bottom. When the resin gets hard, peel off the masking tape and you have a nice smooth finish with no drips.

—Vern Feezell, Longview, Wash.

Crossbar okay, kerf in wrong place

I'm interested in making the bandsaw dovetail jig featured in the April 1992 issue on pages 44-51. However, the two illustrations at the top of page 51 disagree on the placement of the crossbar "J" under the base. Which is correct, behind or in front of the blade?

—Richard Gillespie, Dumfries, Va.



The crossbar "J" that you mention is positioned correctly in our article, Richard. However, the kerf is shown in the wrong location in the top left illustration on page 51 of the April issue. See the illustration above right for the correct placement of the kerf. We hope we didn't cause you any great problems, and we apologize. ♣

Excalibur Tools for the Ultimate Woodworking Shop

Excalibur Sliding Table System:

Excalibur lets the woodworker handle large panels easily and safely. Six roller bearings and a pair of heavy steel tubes guide the sliding table with precision and perfect control. The crosscut fence mounts at the forward or rear end of the table and produces accurate left- or right-hand mitres. Excalibur is also handy for cutting solid stock to length or cutting dadoes, tenons & box joints. Installs quickly: simply remove the left-hand extension from your table saw and use the same bolts to attach your sliding table.

Sliding Table Specifications:	SLT30	SLT60
crosscut at 90° w/fence forward	28"	37"
crosscut at 90° w/fence at rear	40"	62"
length of crosscut bar	54"	65"
table size (depth x width)	32" x 26"	32" x 32"
working floor space required	66" x 29"	103" x 34"

T-Slot Fence & Accessories:

Convert your saw into a precision cutting machine with Excalibur's T-Slot Fence system. The rugged aluminium extrusion has positive front and rear locking with single handle control. A triangulated roller system assures that the fence stays parallel to the blade. Two T-slots in the top surface of the fence provide a quick & secure means to attach optional Stock Pusher or Router Fence Brackets or your own jigs. The Router Fence Brackets are micro-adjustable router fences for your T-Slot Fence. The Router Table Kit is designed to mount in the top surface of a table and includes 12" x 18" steel plate with 26 radial slots to accept almost any round-base router. Excalibur's unique Stock Pusher slides into the Fence's T-slots and allows you to rip short pieces of narrow stock. The pusher slides on polystyrene bushings and keeps your hands away from the blade.

Excalibur Overarm Bladecover:

Connected to your dust collection system, the Blade Cover helps control table saw dust. Includes a 72" boom that adjusts from 47" to 63" above the floor and allows a rip capacity of up to 50". Includes a 1-1/4" vacuum hose with an adapter to fit your 4" vacuum system.



Best Prices Ever!

IWF Special/Quantities Limited

ITEM	DESCRIPTION	SALE
SLT30	40" Excalibur Sliding Table	\$449.00
SLT60	62" Excalibur Sliding Table	549.00
R24L9	33" Excalibur T-Slot Fence	279.00
R50L12	62" Excalibur T-Slot Fence	299.00
EXAUX	Auxiliary Router Fence Brackets	83.00
EXOA	Blade Cover	224.00
EXPU	Stock Pusher (not shown)	55.00
EXRT	Router Table Mounting Kit	45.00

EXCALIBUR

MACHINE & TOOL CO.

210 Eighth Street S., Lewiston, NY 14092 1-800-387-9789

For immediate information,
sent to your fax machine now, call 1-800-361-8015 x705
(have your fax number ready)

ROUTING SECRETS

They Never Tell You in Your Router's Instructions!

The simple truth is that most woodworkers use only a fraction of their routers' capabilities. ROUTING AND SHAPING shows you how to:

TRIPLE THE VERSATILITY OF YOUR ROUTER!

Once you discover these professional secrets, you'll have the power to cut perfect dados, grooves and rabbets with your router! Making ornamental legs will be a cinch! You'll be routing perfect circles . . . making flawless mortise-and-tenon joints . . . routing boxes from solid wood . . . and more!

PLUS PLANS FOR 21 TIME- AND WORK-SAVING JIGS

You'll also get step-by-step instructions, detailed plans and up-close photos for building 21 jigs including an overhead routing jig . . . a dovetail spline jig . . . a router jointing jig . . . a router mortising jig . . . and many others!

PLUS 5 COMPLETE PROJECTS TO TEST YOUR NEW SKILLS!

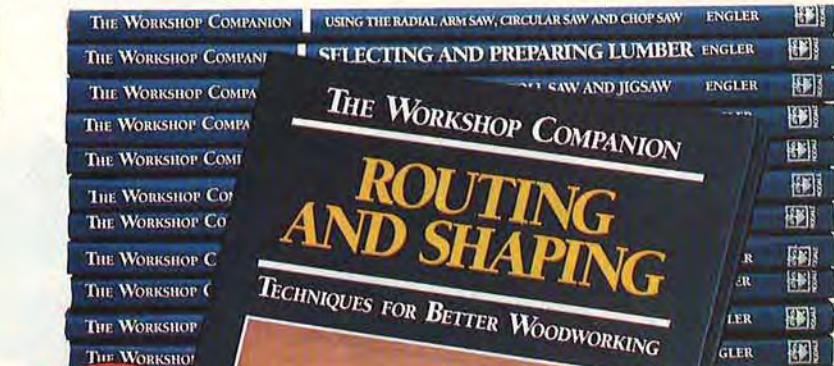
You'll find plans for a colonial keeping box . . . a full-featured router table . . . an elegant routed box . . . a decorative candlestand . . . and a versatile jointmaking jig.

Introducing THE WORKSHOP COMPANION™ Series

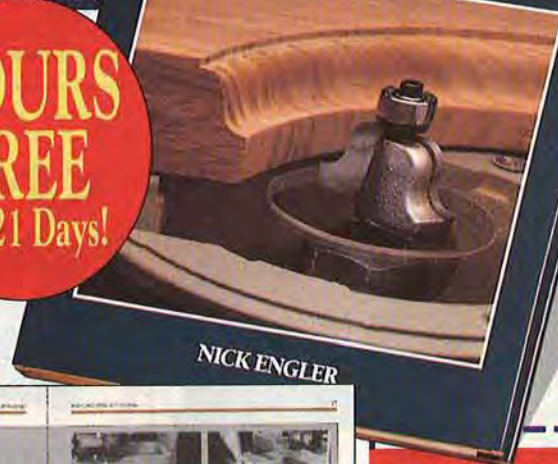
ROUTING AND SHAPING is your first volume in the most complete and most comprehensive series of woodworking books Rodale Press has ever published: THE WORKSHOP COMPANION: Techniques for Better Woodworking.

Every Volume Is Like Having A Master Craftsman At Your Side!

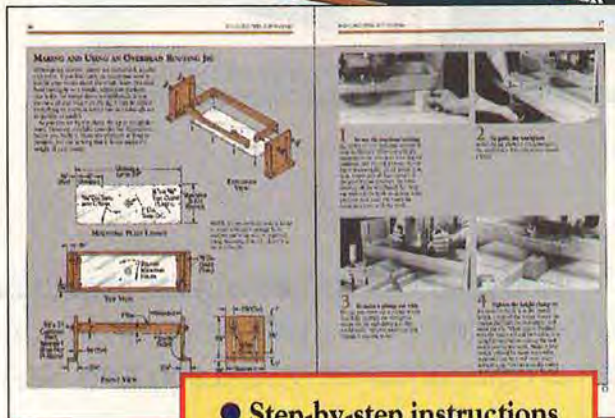
Each volume in THE WORKSHOP COMPANION focuses on a different skill, technique or tool. Whenever you have a



YOURS FREE
For 21 Days!



YOUR FREE GIFT!



- Step-by-step instructions
- Easy-to-follow diagrams
- Clear, detailed photographs
- Hundreds of hints and tips

question, simply turn to the appropriate volume, and the answer you need is there, complete with easy-to-understand step-by-step diagrams, photos and instructions!

FREE GIFT: American Woodworker's Finishing Secrets

Finally—everything you wanted to know about achieving a perfect finish every time! Jam-packed with the latest information and the best techniques from finishing experts.

TRY IT FREE FOR 21 DAYS!

YES! Send me a FREE finishing guide. Also send me ROUTING AND SHAPING to shop-test free for 21 days. If I choose to keep the book, I'll pay \$16.95 (\$19.95 CDN funds plus GST), plus postage and handling. Then, every other month, I'll be entitled to preview a new volume in THE WORKSHOP COMPANION series, also for 21 days FREE. I'm never obligated to buy any book, and I may cancel at any time. If I decide not to keep ROUTING AND SHAPING, I'll return it within 21 days and no other books in the series will be sent. The finishing guide is mine to keep no matter what. 542

NAME (First) (Last)

ADDRESS APT. #

CITY

STATE ZIP

SEND NO MONEY NOW. THIS IS A FREE-TRIAL OFFER!

Clip and mail this coupon to:
THE WORKSHOP COMPANION,
c/o Rodale Libraries, P.O. Box 10848,
Des Moines, IA 50336-0848

You Can't Top



8" DRILL PRESS



8 1/4" COMPOUND MITER SAW



CONTRACTOR SERIES
10" COMPOUND MITER SAW



8" BENCH TOP TABLE SAW



10" DRILL PRESS



10" COMPOUND MITER SAW



CONTRACTOR SERIES
8 1/4" SLIDE COMPOUND MITER SAW



10" BENCH TOP TABLE SAW

Because Craftsman has the most complete line of quality bench top power tools in the industry... backed up by the Craftsman guarantee of satisfaction and Sears legendary service.

You can't top that promise of reliability because we life-test every new Craftsman bench-top tool we design. In fact, it takes ten separate steps just to jam-test our radial arm saw. And that's only one of 40 separate tests we run on this saw. To motor-test our 8 1/4" slide compound miter saw, we put it through 20,000 cycles in less than three working days.

Our Bench Tops...



4"x6" BELT/DISC SANDER



8 1/4" COMPACT RADIAL SAW



13" SCROLL SAW



16" SINGLE SPEED SCROLL SAW



10" BENCH TOP BAND SAW



12" WOOD LATHE



16" VARIABLE SPEED SCROLL SAW



CONTRACTOR SERIES
20" SCROLL SAW
(INCLUDES LEG SET)

Our 20" variable speed scroll saw was tested at its maximum speed of 2,000 rpm for 500 hours. Of course, then we ran it some more at 150% of its maximum, to insure it will pass every test our customers can give it.

To see all of these great looking bench-top tools for yourself, just zip on down to your Sears store. Or order direct from our Sears catalog, 1-800-366-3000, toll-free, 24 hours a day, 7 days a week.

CRAFTSMAN®

Only at Sears

Welcome to a special edition of Tips From Your Shop (And Ours)! Why special? Because the tips and ideas featured here have to do with building, organizing, or improving your home workshop—this issue's theme. We've assembled a great selection of tips, some

of which you've sent us and several we came up with ourselves while building and equipping our IDEA SHOP™ (see pages 58-63).

Larry Johnston
Larry Johnston
Special-Interest Editor

EARN CASH, PRIZES FOR YOUR TOP SHOP TIP

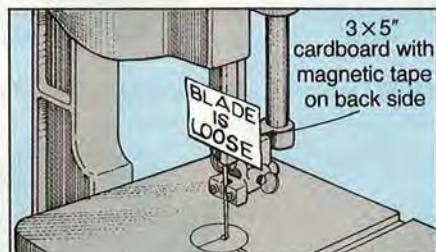
Do you have a great shop tip (or two) you'd like to share with other WOOD® magazine readers? For each published submission, you will get at least \$25 from WOOD magazine (as much as \$200 if we devote a page or more of space elsewhere in the magazine to your idea). You also may earn a wood-working tool for submitting the Top Shop Tip for the issue.

We try not to use shop tips that have appeared in other magazines, so please send yours to only one. We do not return shop tips. Mail your tip(s), address, and daytime phone number to:

Top Shop Tip
WOOD magazine
1912 Grand Ave.
Des Moines, IA 50309-3379

Sign reminds you to tighten blade

You should loosen the tension of your blade when you won't be using your bandsaw for a while. If you do, both the blade and the tires will last longer. Trouble is, you may forget about the loose blade—until you start up the saw.



TIP: Write "BLADE IS LOOSE" in bold letters on a 3×5" piece of stiff cardboard. Then attach a strip of magnetic tape to the card's back. Whenever you loosen the blade, slap the sign onto some conspicuous spot on the saw—the blade guide, for instance.

—Dick Rentfrow, Raleigh, N.C.

Tin-can organizers store stuff and tote it, too

You've organized your screws, nails, and other hardware into cans. But they don't stack neatly, and you can only carry a couple at a time.

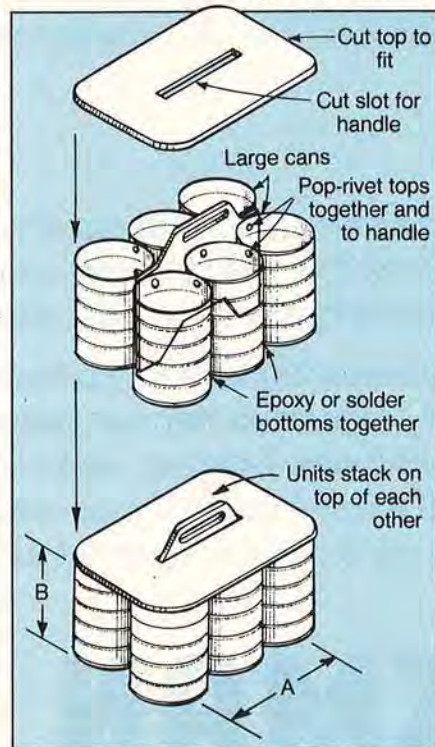
about 1/16" longer than dimension D on the lid. Cut out the lid and the slot with a scrollsaw.

—Thomas O'Donovan
Highland Park, Ill.

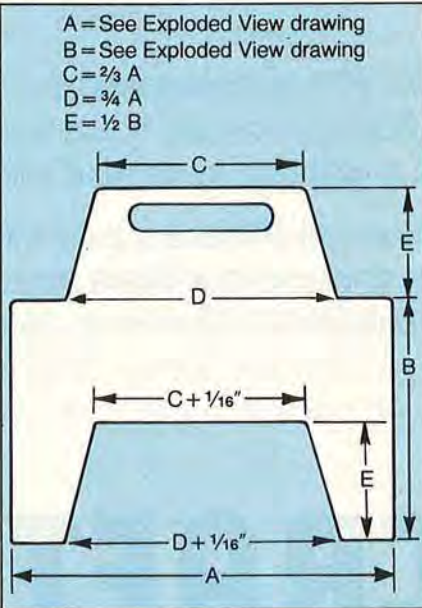
TIP: Assemble those cans into stackable, tatable six-packs, as shown right. Begin by connecting six same-sized cans into two rows of three (coffee cans or other large cans work best). Join them near the tops with 1/8"-long pop rivets; solder the bottoms together, or glue them with epoxy.

Next, measure your assembled cans to determine dimensions A and B. Set dimension C equal to 2/3 of A, and dimension D equal to 3/4 of A. Make dimension E equal to 1/2 of B. Now, cut the handle from 1/4" hardboard. Cut a carrying slot where shown. Attach a can assembly to each side of the handle with 1/2"-long pop rivets.

To make a lid, place the completed organizer on top of another piece of 1/4"-thick hardboard, and draw a round-cornered rectangle around it. Center a 5/16"-wide slot



For his tip, Tom receives a Sears Craftsman 10" benchtop tablesaw, catalog no. 22172, shown below.



Continued on page 15



Freud Red

Maximum Safety

Maximum Performance

THE NEW FREUD ANTI-KICKBACK ROUTER BIT LINE

SAFETY FIRST

Freud is the first major manufacturer dedicated to converting their full line of router bits to the anti-kickback design. Our anti-kickback design limits the cutters' bite to insure a smooth and safe cut, without holding back on speed. Unlike other so-called "anti-kickback design bits", Freud's are manufactured to meet one of the most rigid safety standards in the world: The German Industry standard, DIN 8085 and DIN 31000.

SUPERIOR FINISH

Our bits give you the smoothest, most burn-free and chatter-free cuts available. To do this, we custom designed a special computer-controlled grinder to provide the proper relief angles that eliminate the burning associated with the radial type of relief. This equipment gives each tool a mirror-finish cutting surface that starts sharper and stays sharper longer.

THICK CARBIDE TIPS

Our micrograin carbide tips are up to .094" thick. This makes them less prone to chipping and insures a long resharpening life. We use a tri-metal brazing to mount the carbide tips to the bit body; silver, copper and silver brazing absorbs heat and impact.

COMPUTER BALANCED

We computer balance all of our bits for precision cuts and vibration-free operation every time. Even our larger bits leave a chatter-free, silky-smooth finish.

FULL LINE LIFETIME GUARANTEE

How can a company prove that they truly have a superior product? By putting their money where their mouth is! We back our complete line of router bits with a LIFETIME GUARANTEE*.

TOTAL QUALITY COMMITMENT

At Freud, quality is a lifestyle and not just a sales promise. Our commitment is to produce the world's highest quality bits. By our continual investment in the best technology, you can be sure you are getting a quality product.

EXTENSIVE LINE

We have one of the most extensive lines of carbide router bits available and we're growing daily. If you're looking for an unusual bit, give us a call, chances are pretty good that we have it.

RATED EXCELLENT BY THE PROS

In a recent survey by Hanley-Wood, the majority of readers who were familiar with Freud ranked our products as excellent!

NEED MORE INFORMATION?

Just call one of our dealers, they are ready to answer your questions. Don't forget to ask for one of our new 92 page router bit catalogs. If you need the name of a dealer near you, give us a call.

freud®

Precisely what you need.

High Point, NC • 800-472-7307

*Does not constitute entire warranty. For a complete copy of our Freud warranty, please send a self-addressed envelope to: Freud Inc., P.O. Box 7187, High Point, NC 27264



IF YOU DON'T THINK THE VISE-GRIP® TRADEMARK MAKES A DIFFERENCE, THINK AGAIN.

Not all jobs are created equal. Neither are locking pliers. There are genuine VISE-GRIP locking pliers and there are imitations. VISE-GRIP locking pliers handle every job – every time. While others may *look* like VISE-GRIP locking pliers,

7R

180mm/7" Locking Pliers
Straight Jaws

VISE-GRIP®



they don't *perform* like them or *last* like them. Make sure you get the real thing. Look for the VISE-GRIP trademark on the package or the tool.
VISE-GRIP. THE ONLY NAME YOU NEED TO KNOW IN LOCKING HAND TOOLS.

TIPS FROM YOUR SHOP (AND OURS)

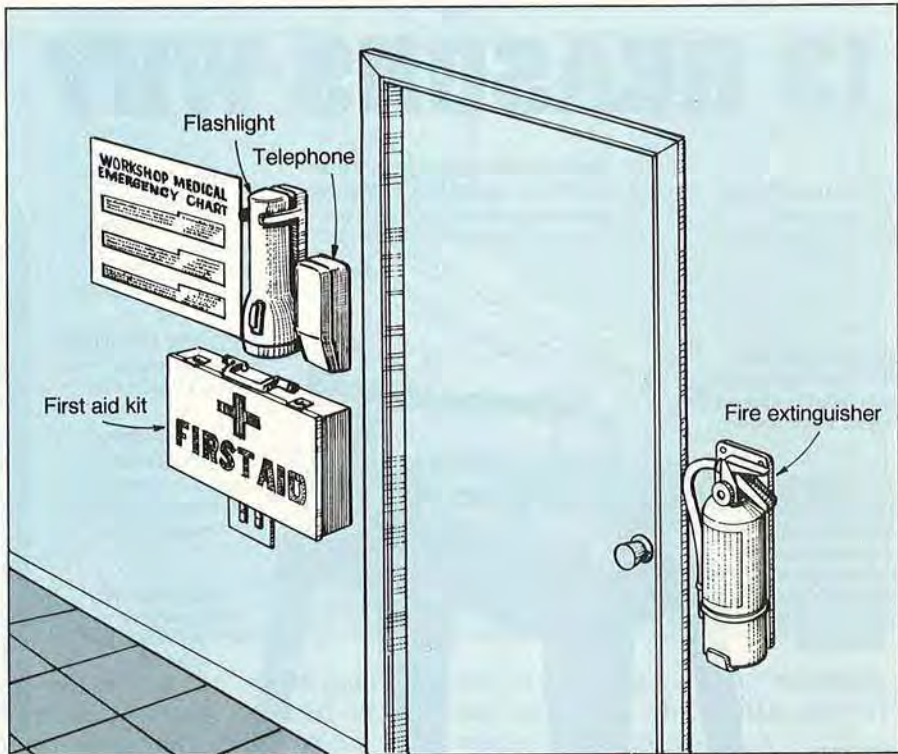
Continued from page 12

Gather safety equipment around the workshop door

No shop should be without a first-aid kit and a fire extinguisher. But they're useless if you, or those who might help you in an emergency, can't find them quickly.

TIP: Mount your first-aid kit and fire extinguisher where you'll see them every time you enter and leave the shop—right next to the main entrance. Keep a flashlight with the safety equipment, too, in case a power failure leaves you in the dark. And if a fire could prevent you from reaching the main entrance or trap you in a corner, install one or more additional fire extinguishers throughout the shop. In the *WOOD*® magazine IDEA SHOP™, we also have a phone by the door, along with a list of emergency numbers.

—WOOD magazine's IDEA SHOP



Continued on page 17

WHY BUY JET

BECAUSE... IT'S BETTER THAN DELTA!

WOODWORKING LATHE	JET JW1-1236	DELTA 46-700
SPINDLE SPEEDS	550-3000 RPM	500-2000 RPM
PRICE— Comparably Equipped	\$689.00*	\$724.55**
NET WEIGHT	183	159
BED WAY WIDTH	5"	4"
WARRANTY	2 YEAR	2 YEAR
HEAD ROTATION FOR OUTBOARD TURNING	One step Quick release No tools required	Multiple steps Tools required

*Suggested Retail Price
**E. TA Suggested Retail Price

Find Out How
Good The
NEW JET
Really Is!

JET

JET EQUIPMENT & TOOLS
1-800-274-6848

**JET'S
GOT
IT!**

The American Toolmaker

RBI Hawk Scroll Saws

13 REASONS WHY WE'RE #1



According to the Editors of Wood, "RBI 220VS & 216VS Scroll Saws rate EXCELLENT OR GOOD in all areas tested."
—Wood Mag. Sept. 91—

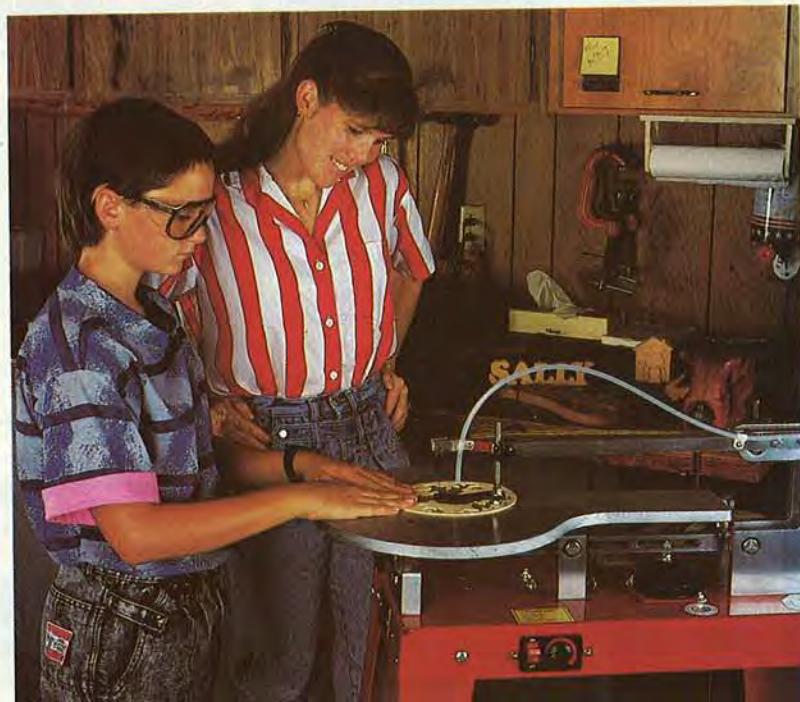
RBI was the only manufacturer to have all models tested rate "EXCELLENT" in Vibration-Speed Control-& Quality of Cut from that same review by the editors of Wood Magazine.

Dept. B69

All this adds up to—

THE BEST REASON OF ALL...

Whether for pleasure or profit the RBI Hawk is perfect for getting the entire FAMILY involved, and in today's society we feel FAMILY is very important. Call or write today for a FREE Information Kit 1-800-487-2623.



rbi Industries, Inc.
The American Toolmaker

P.O. Box 369
1801 Vine Street
Harrisonville, MO 64701

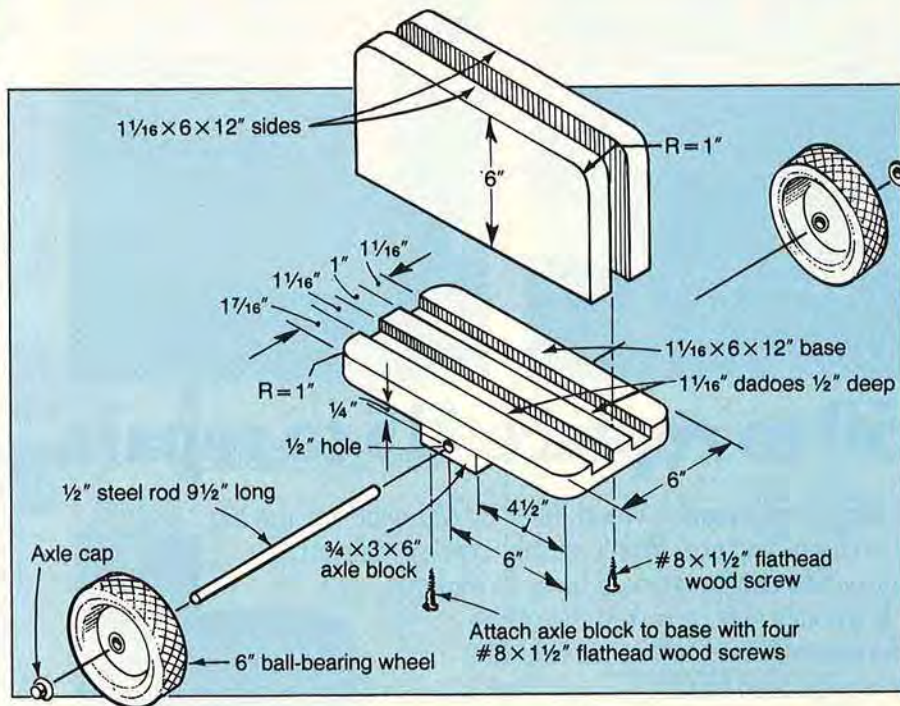
TIPS FROM YOUR SHOP (AND OURS)

Continued from page 15

A two-wheel deal hauls sheet goods

You've already clobbered two corners and an edge of a 4x8' sheet of 3/4" plywood while trying to maneuver it through your shop. And you hate to think about what you've done to your back. Isn't there a better way to handle big, heavy sheets?

TIP: Roll those unwieldy goods around on a two-wheel dolly like the one shown *right*. Cut the body pieces to the sizes shown from 1 1/16"-thick maple or other hardwood. Cut the dadoes in the base. Then, cut out the axle block and drill the 1/2" hole through it as shown. Now assemble the sides, base, and axle block with screws and glue. Insert the axle in the hole, and slip on the wheels, securing them with axle caps. (Hardware stores sell the parts.)



To use, stand the sheet material on edge, and raise one end off the floor. Slide the dolly under the end, and move it toward the mid-

dle of the sheet. Then, balancing the sheet on the dolly, roll it where you need to go.

—WOOD® magazine's **IDEA SHOP**™

Continued on page 18

WHY BUY JET

BECAUSE... IT'S BETTER THAN POWERMATIC!

10" TABLESAW	JET JTS-10JF	POWERMATIC 63™
FENCE TYPE	Precision Quick Release	Vega™
RIP TO RIGHT OF BLADE	30"	26"
LIST PRICE	\$639.00*	\$951.00**
WARRANTY	2 YEAR	1 YEAR
EXTENSION WING CONSTRUCTION	Solid Ribbed Steel	Open Cast Iron
MOTOR & CONTROL	1 1/2 HP Thermal Overload Industrial Safety Control	1 1/2 HP Removable Key

*JET Suggested Retail Price
**POWERMATIC Suggested Retail Price

Find Out How Good The NEW JET Really Is!

JET

JET EQUIPMENT & TOOLS
1-800-274-6848

JET'S GOT IT!



\$350 to replace. \$15 to repair.

Use High Performance Wood Filler by Minwax® for the big jobs, indoors and out. Won't shrink, crack or fall out. Hardens and can be worked on in 15 minutes.

If wood is soft or rotted, use High Performance Wood Hardener first to form a rock solid base.

Free booklet: *Tips on Wood Finishing*
Minwax Company, Inc., Dept. WO 092
P.O. Box 260, Whippany, NJ 07981



High Performance Wood Filler 

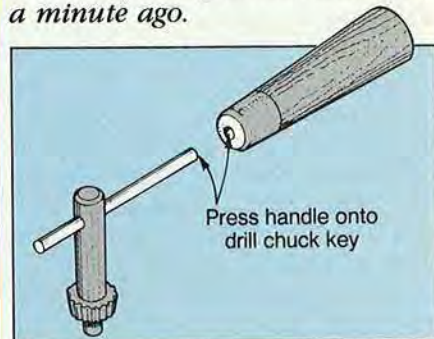
© 1992 Minwax Co., Inc.

TIPS FROM YOUR SHOP (AND OURS)

Continued from page 17

Big handle makes chuck key easy to use, hard to lose

You didn't get the drill-press chuck tight enough. You know this because the chuck keeps turning while your big hole cutter sits there motionless midway through the board you're drilling. You could tighten it up and get on with the job, but you don't see the chuck key that you laid down just a minute ago.



TIP: Cinch that chuck tight the first time by getting a better grip on the key. Drill a hole 1/64" smaller than the diameter of the chuck-key handle into a wooden file handle. Press it on, and presto—greater leverage! The larger handle also makes the elusive key easier to spot on a crowded bench.

—Jeff Vanden Boogart
Little Chute, Wis.

MORE TIPS FROM OUR WOODWORKING PROS

- Regular lumberyard stock for projects? You bet! Read how we selected and cut 2x10s to build our workbench. It's all on *page 64*.
- Chiseling mortises can get you down. To save yourself some effort, see *page 66* for another approach to mortising. You'll find out how we made neat mortises on our workbench legs with mating dados.
- Have you ever wanted to make some special cutting tool for turning or carving? Our advice on *page 55* will help you grind and heat-treat tools of your own design. 🌲

ENERGY-SAVING SUN-PORCH™
CONVERTIBLE SUNSPACE
More value for less money!

INSULATED WINTER SUN SPACE CONVERTS TO A SUMMER SCREEN ROOM!



MOUNTS READILY ON DECKS, PATIOS, OR LANDSCAPE TIES

- Choice of stunning Opal White or Bronze-Tint glazings on white or bronze framework QWIK™ window/screen change system Do-it-yourself assembly America's #1 value.

Send \$2 for Color Catalogues, Prices, SENT FIRST CLASS MAIL. Dealer Inquiries Welcome



VEGETABLE FACTORY, INC.
P.O. Box 1353, Dept. WOO
Stamford, CT 06904-1353

HARDWOODS

EXOTIC & DOMESTIC OVER 75 SPECIES

LUMBER • PLYWOOD • VENEERS
TURNING SQUARES & BLANKS

COLLECTORS SAMPLE KIT

30 EXOTIC & DOMESTIC WOODS
1/2" X 3" X 6" SANDED FINISH

\$29.00 PLUS \$5.00 S&H

Ideal for Collectors • Schools • Craftsmen • Cabinet & Furniture Makers • Architects • Designers

PURPLE HEART BRAZILIAN CHERRY

Deep true purple Salmon red to orange brown

\$3.99/BD FT

20 BD FT MINIMUM, MIX OR MATCH, 3" - 10" WIDE,
3' - 7' LONG 4/4 ROUGH THICKNESS, SURFACED 2 SIDES
FOB PHOENIX

VENEER

Perfect for Repairs, Marquetry, Inlay, or Small Projects
EACH PACK CONTAINS 5 PCS 5" X 36"

BIRCH • CHERRY • WHITE OAK • MAPLE • PECAN
PINE • RED OAK • ASH • WALNUT • MAHOAGANY

\$12.00 PLUS \$5.00 S&H

ALSO AVAILABLE
ROSEWOOD • TEAK • FIGURED MAKORE
FIGURED ANIGRE

\$20.00 PLUS \$5.00 S&H



1-800-423-2450

WOODWORKERS Source

5402 S. 40th Street • Phoenix, AZ 85040
602-437-4415

QUAKER STATE
has all your
CLAMPING NEEDS
...all under one roof!



FREE Shipping!

CLAMPS CLAMPS CLAMPS

TRU-GRIP BACK-TO-BACK BENCH CLAMP



18" Grip . . . \$31.95
36" Grip . . . 39.95
New! 50" Grip . . . 44.95

TRU-GRIP CLAMP 'N TOOL GUIDE

MADE IN THE U.S.A.



IT'S A GUIDE OR FENCE...
...AND A BAR CLAMP!
24" Grip . . . \$22.95
New! 36" Grip . . . 25.95
50" Grip . . . 29.95



TITEBOND II WOODGLUE
NEW from TITEBOND. The first one-part glue that passes type II water proof testing, creating a stronger "molecular bond". Use for indoor and outdoor projects alike.
#6238 - TITEBOND II 8oz \$2.99
#6239 - TITEBOND II 16oz 4.99
#6240 - TITEBOND II Gallon 16.99

Special! MagicMat



Great for belt sanding, routing, palm sanders, hand scraping, drilling, and more...all without clamping!! This mat is NOT foam, NOT carpet padding, and NOT underlayment material!!! IT IS 1/8" dense rubber that will NOT slide on wood, laminate, corian, plywood, etc.



#6340 - 1 for \$7.95
or 3 for \$6.95 each
MAT SIZE 36" x 24"

SPRAY FINE FINISHES

for only **\$179⁹⁹** delivered with the New **WAGNER**

FineCoat™

Low Overspray Finishing System

ONLY **\$179⁹⁹**

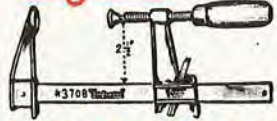
HVLP High Volume, Low Pressure

FEATURES: 7.5 amp., 4 PSI, 47 CFM, 15 ft. hose included, 1 quart capacity cup, 15 lb. total weight.



- The Ideal "Fine Finishing Tool"
- Great for applying Vernishes, Stains, Lacquers and water based finishes!

"Jorgensen"



STYLE 37 SERIES "F" CLAMPS

	Size	Price	Box of 6
#2007 -	6"	\$6.99	\$36.00
#2008 -	12"	7.99	42.00
#2009 -	18"	8.49	45.00
#2010 -	24"	8.99	48.00
#2011 -	30"	9.49	52.00
#2012 -	36"	9.99	54.00

"Jorgensen" CLAMP PADS

For 37 Series "F" Clamps. Soft non-marring pads. One pack contains enough pads for 4 clamps.
#2006 - Clamp Pads . . . \$3.99 4 packs for \$12.00



"Jorgensen" 3" HOLD DOWN CLAMP

The most popular "bench" hold down clamp on the market today!
#2014 - 1 for . . . \$9.99
2 for . . . 18.00

"Pony" 24" 4-CORNER FRAMING CLAMP

#2013 - 1 for \$9.99
2 for \$18.00



"Pony" SPRING CLAMPS



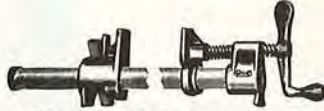
Strong, Quick, and Reliable...with protective tips & handles.

Size	Price	6 for
#2019 - 1"	\$1.99	\$ 9.99
#2020 - 2"	2.99	14.99
#2021 - 3"	3.99	19.99
#2022 - 4"	4.99	24.99

"Pony" PIPE CLAMP FIXTURES



#2001 - #52 1/2" Pipe Clamps . . . \$7.99
6 for . . . 42.00



#2003 - #50 3/4" Pipe Clamps . . . \$8.99
6 for . . . 48.00

"Pony" CLAMP PADS

Fits 1/2 and 3/4 pipe clamps. Buy 5...Get 1 Free!

#2015 - Clamp Pad 1 for \$1.00
6 for \$5.00



"Pony" 15" BAND CLAMP

#2035
1 for . . . \$9.99
2 for . . . \$18.00

ALL OUR PRODUCTS ARE GUARANTEED!

QUICK-GRIP BAR CLAMP



Light. Strong. Fast. The Bar Clamp that's so easy, you can use it with one hand!

Cat. #	Jaw Opening	Price
#2100	6"	\$12.95
#2101	12"	14.95
#2102	18"	15.95
#2103	24"	17.95
#2104	36"	19.95
#2105	4 Piece Corner Kit	6.95
#2106	6" Clamp & Corner Kit	17.50



6" MINI BAR CLAMP



Strong, yet lighter than the regular

clamps. Ideal for small clamping jobs with a soft pad that won't mar work surfaces.

#2108 - 6" Mini Clamp...\$10.95

"BENCH" HOLD-DOWN CLAMP



Strong, quick hold-down for mounting on your workbench. A full 5" opening allows for extra thick clamping 3/4" hole accepts mounting hardware underneath workbench.

#2109 - Hold-Down Clamp...\$19.95

QUAKER STATE WOODWORKING SUPPLY

READING AIRPORT INDUSTRIES BUILDING #2
R.D. #9 • BOX 9386 • READING, PA 19605

1-800-776-5467
FOR FAST DELIVERY!

FAX #215-478-9388

- Check Money Order Discover
 - MasterCard Visa C.O.D. (Add \$4.75)
- PA residents add 6% sales tax.



FREE SHIPPING

on orders received by
AUGUST 31, 1992

**That was
then.**



**Twist,
Twist,
Twist,
Twist,
Twist,
Twist,
Twist,
Twist,
Twist,**

This is now.

Gone are the days of going round and round with old-fashioned screw-type clamps. Now, there's the QUICK-GRIP® Bar Clamp*.

With a QUICK-GRIP Bar Clamp, you can do anything you can do with a regular bar clamp, only faster. And you can do it with only one hand.

Pull the Quick-Release™ trigger with one finger and slide the bar into place. Tighten the clamp with a squeeze of the hand. That's all there is to it. Your other hand is free to hold your project in place.

The QUICK-GRIP Bar Clamp, from the makers of VISE-GRIP® Tools. It will revolutionize the way you work with clamps. See for yourself - wherever quality tools are sold.

*U.S. Patents 4,926,722; 5,005,449. Other U.S. and Foreign Patents and Designs Issued and Pending.

**Slide,
Click.**

QUICK-GRIP®

A UNIT OF **AMERICAN TOOL**

COMPANIES, INC.



©1990/1991 American Tool Companies, Inc.



QUICK-GRIP®
BAR CLAMP

From the makers of VISE-GRIP® Tools.

© 1989 American Tool



SOME BIG CHANGES BREWING FOR DeWALT TOOLS

 [Print this article](#)

For many years the name DeWalt has meant one thing to woodworkers: radial-arm saws. Now, officials at Black & Decker, the company that owns the DeWalt brand name, have decided to go out of the stationary-machine business for the most part. So it's "goodbye" DeWalt radial-arm saws. But, the company is not dropping the DeWalt name. Instead, B&D has affixed the DeWalt brand name to its line of professional portable power tools. And to make their products stand out from competitors, officials at B&D have decided to change the color of the housings from gray to yellow.



From now on, the name DeWalt stands for portable tools, not radial-arm saws.

Why the changes? According to company representatives, two factors led to this major marketing decision. First, B&D decided to discontinue marketing most stationary tools because sales of stationary machines have amounted to less than 1 percent of the company's total revenues. For a corporation that deals in huge volumes, DeWalt saws were small potatoes. (DeWalt radial-arm saws will still be available in Europe.)

The reason for dropping the B&D Professional label and substituting DeWalt Industrial in its place has its roots in a widespread misperception about the quality of Black & Decker tools. Because the company widely markets low-priced tools to the general public, as well as toasters, coffeemakers, and other inexpensive appliances, consumers tend to associate the Black & Decker name with low-

priced goods. However, as our testing in the *WOOD* magazine shop has indicated, Black & Decker's professional-brand tools consistently perform on a par with other high-quality brands.

Wary of battling the misperceptions, company officials are taking a new tack. Because the name DeWalt has long stood for quality and reliability, B&D officials decided that it would be the best brand for marketing the company's top tools. Since B&D already has another line of professional-level tools—Elu—we wondered what effect the switch would have on this brand. (Elu tools also have come up winners in *WOOD* magazine tool tests.) "Very little," a B&D representative told us. "The Elu and DeWalt Industrial brands will have only one tool in common, a ¼-sheet finishing sander." 🌲

PRANCER
When you push his tail he plays "Rudolph" while his red light nose blinks to the music. About 17" ht. #01556N Plans 3.00 #04556NZ Plans and Parts 7.25 Parts Kit Only: #04556N 4.75/Ea, 12.90/3, 38.50/10



WELCOME

A boutique best seller! Not only does it say "welcome", but it plays a Christmas melody with lights blinking in time. Parts Kit includes everything but lumber. #01570 Plans 4.00 #04570Z Plans & Parts 12.00 #04570 Parts Only: 8.75/Ea, 23.85/3, 71.00/10

Parts Kits do not include lumber - only necessary parts.



"CHRISMOOSE"

Features a push button that plays "Rudolph" with flashing red nose. Die cut letters included with parts kit. About 22" wide. Great Seller! #01574 Plans 3.00 #04574Z Plans & Parts 8.50 Parts Kit Only: #04574 6.85/Ea, 18.90/3, 57.30/10



CRAFTER'S MART

P.O. BOX 2342-W • GREELEY, CO 80632
64-Page CATALOG: \$2 with credit towards first order, Free with any order. Check, MasterCard or VISA (include daytime phone, card no., exp. date & signature).
PROCESSING CHARGE: Continental U.S. \$4; AK, HI, APO & FPO \$10; Canada \$16; Foreign 20% plus \$10 (U.S. Funds). CO Res. add 3% tax.
PHONE ORDERS: 8am-5pm Mon-Fri, 9am-4pm Sat., Mountain Time.
Info: (303) 351-0676 **1 - 800 - 999-3445**



SAVINGS



LOW INITIAL COST

ADD UP



LOW OPERATING COST

FAST

+

WITH AN

+



QUALITY KILN DRIED LUMBER

EBAC

DRY KILN



RAPID PAYBACK

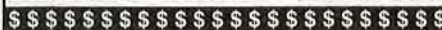
easy to operate

CALL TODAY 1-800-433-9011



EBAC LUMBER DRYERS
106 John Jefferson Road, Suite 102
Williamsburg, VA 23185

(804) 229-3038 Fax (804) 229-3321
In Canada: (416) 985-2123 Fax(416) 985-3708



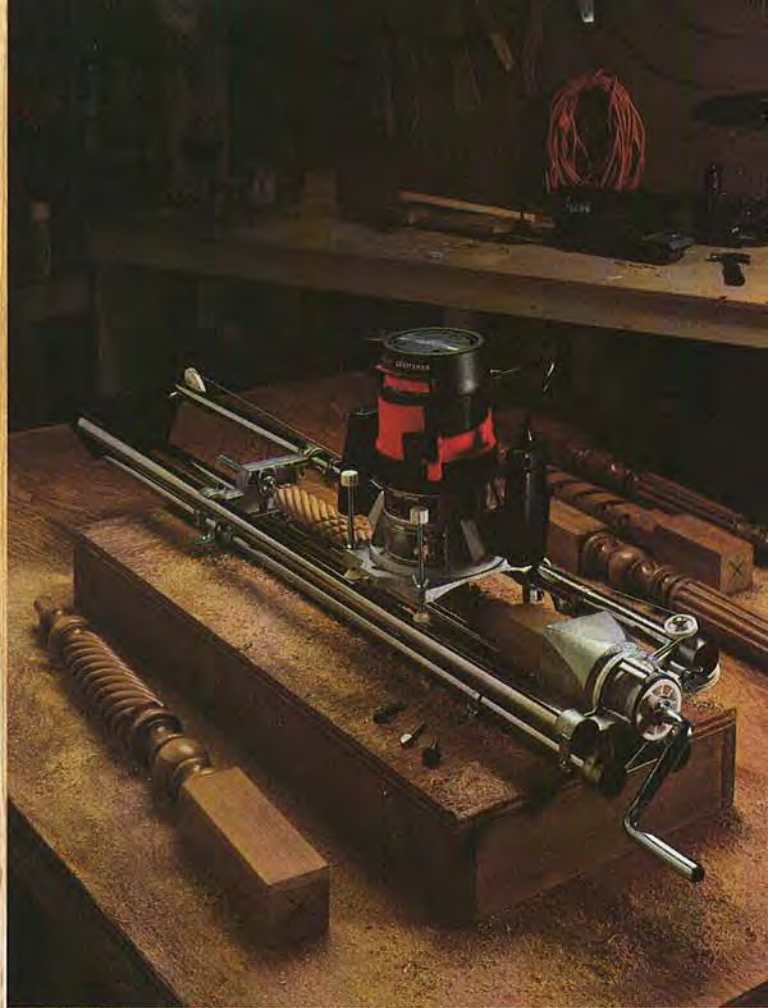
DO ONE GOOD TURN AFTER ANOTHER.

Crank out fantastic results with the Router Crafter.[®] Performance that can't be duplicated with any other tool in your shop. The Router Crafter picks up where a lathe leaves off. Here are just a few of the exciting things you can do with the Craftsman Router Crafter:

- Left or right hand spiral roping.
- Tapered or straight fluting.
- Contoured turning.
- Beading and coving.
- Hollow turnings.
- Table legs from start to finish.

This tool's versatility is only limited by your imagination.

- Accepts most routers with 6" base.
- Rugged steel and cast aluminum construction.
- Made in the U.S.A.
- Available at most larger Sears stores.



GIVE YOURSELF A BETTER EDGE IN THE WORKSHOP.

Give yourself the Craftsman edge with our exclusive, industrial router table. Whether you're a pro or simply demand professional results, this heavy duty router table will deliver.

Check these unique features:

- Huge 14" x 24" machined work surface for more support.
- Unitized fence permits vertical routing for tenons, sliding dovetails, and other intricate cuts.
- Built-in sawdust collection.
- Accepts most 1/2" or 1/4" chuck routers.
- Optional extensions and switch provide added convenience.
- Made in the U.S.A.
- Available at most larger Sears stores.

So get on down to Sears. Because no matter how good you are with a router, you'll be better with Craftsman router accessories.

SEARS / CRAFTSMAN[®]

See the Widest Variety of Woodworking Products All Under One Roof!!

★The Woodworking Shows★
machinery tools • supplies



1992/1993 SHOWS

- | | | | |
|-------------------|------------------|-----------------|-----------------|
| •Atlanta | •Delaware Valley | •Milwaukee | •Seattle |
| •Baltimore | •Denver | •New Jersey | •So. California |
| •Charlotte | •Detroit | •No. California | •St. Louis |
| •Chicago | •Harrisburg | •North Florida | •Tampa |
| •Columbus | •Indianapolis | •Portland | •Twin Cities |
| •Dallas/Ft. Worth | •Kansas City | •San Diego | •Washington, DC |

Call for free brochure Monday - Friday 8 am - 5 pm Pacific Time
1-800-826-8257 or 310-477-8521

WARREN'S FINEST COMBINATION WHITTILERS/CARVERS KIT IN CUSTOM REDWOOD BOX



1992 WOOD SHOP SPECIAL #COMBI-TCE
\$89.95
P. Pd. (USA)

Designed for wood-carvers who appreciate fine quality tools.
(Made in USA) Est. 1927.
Plus Free Pattern and Instruction Booklet.

Send Check or Money Order to:
Warren Tool Co., Inc.
2209-1 RI. 96, Rhinebeck, NY 12572
Tel. (914) 876-7817 • USA only • C.O.D. EPS Available
Canada and Foreign Please send Money Order
Canada Add \$3.00. Foreign Orders Add \$5.00 shipping fee.

- CONTENTS:
(8) Granges*
(6) Small Blades*
(1) Large Blade*
*All Handed Sharp
(2) Handles (interchangeable):
(1) ea. Walnut (Palm), and Rosewood
(2) Sharpening Blocks.
(1) ea. Abrasive, and Leather

1992 Warren Woodcarving Tool & Supply Catalog
FREE WITH ORDER. Catalog only, send \$1.00.
*N.Y. State Residents Add State Tax.

Make your shop complete with the



Lion Miter Trimmer

Perfect miters, any wood, any angle 45°-90°
As seen in "Wood".

POOTATUCK CORPORATION
P.O. BOX 24 • WINDSOR, VT 05089

Made in New England 802/674-5984

BRANDING IRON

For hard and soft wood



\$2900

Plus \$3.00 for shipping and handling

Nebr. residents add correct sales tax

SATISFACTION GUARANTEED or your money back

- Shipped in one week
- Solid brass head — raised letters
- 1st Line: HAND CRAFTED BY — as above
- 2nd Line: Your choice — 20 characters/spaces max.
- Electric unit available for \$49.00 + \$3.00

CALL TOLL FREE . . .

1-800-826-7606

Order by mail from: **NOVA TOOL CO.**

Free brochure available 12500 Finigan Rd., Dept. B9
P.O. Box 29341, Lincoln, NE 68529



- AFRORMOSIA
ANGRE • ASH
AYOURE • BALS
BASSWOOD
BEECH • BIRCH
BOXWOOD • BUBINGA
BUTTERNUT • CEDAR
CHERRY • CHESTNUT
COCOBOLO • CYPRESS
EBONIES • ELM • FIR
GONCALO ALVES
GREENHEART
HICKORY • HOLLY
IMBUYA • IPE
KOA • LACEWOOD
LAUREL • LIGNUM VITAE
LIMBA • LOCUST
MAHOGANIES • MANSONIA
MAPLES • OAKS
OSAGE • PADAUK
PALDAO • PEARWOOD
PERNAMBUCO
PINES • POPLAR
PURPLEHEART
RAMIN • REDWOOD
ROSEWOODS
SAPELE • SATINWOODS
SHEDUA • SITKA SPRUCE
SYCAMORES • TEAK
TULIP • WALNUT • WENGE
ZEBRA • ZIRICOTE

Call Condon first for

- LUMBER • PLYWOOD
- MOULDINGS
- CUSTOM MILLWORK
- VENEERS...and more!

M.L. CONDON COMPANY Inc.

White Plains, NY • Stormville, NY

Phone or Fax your requirements for a **FAST PRICE QUOTE!**

Phone 914/946-4111
FAX 914/946-3779

or send \$2 for our 32-page color catalog to:
242 Ferris Ave White Plains NY 10603

We Ship Nationwide!

PRODUCTS THAT PERFORM

Print this article

Corner chisel helps you clean up shallow mortises

Armed with a router, straight bit, and hinge-mortise template, you can quickly cut flat, precise hinge mortises. But, you still need a way to clean up the round corners produced by the straight bit. The Porter-Cable corner chisel helped me get the job done in no time with excellent results.

To use this cleverly designed tool, you simply nestle it into the rounded corner of the mortise and lightly strike it with a hammer. The tool has a spring-loaded frame that protects the chisel's cutting edge when not in use. In my tests, the hardened edge held its sharpness well.

The tool does have a couple of limitations. The mortise must be at least 1" wide on each side of the corner, and in my tests the chisel cuts well only on mortises no deeper than 3/16".

—Tested by Steve Oswalt



Porter-Cable corner chisel, \$20.50 plus postage from Garrett Wade, 161 Avenue of the Americas, New York, NY 10013. Call 800/221-2942 or 212/807-1155.

Continued on page 26

DOUBLE PEDESTAL TABLE BASE

STOCKED IN OAK

NO MINIMUM

FREE CATALOGUE

See us at Booth 1471
IWF Show
Atlanta Aug. 21-24



READY TO ASSEMBLE



Adam's Wood Products, Inc.

DEPT. M15, 974 FOREST DRIVE, MORRISTOWN, TN 37814

TELEPHONE 615-587-2942

FAX 615-586-2188



Save Money

on Solid Hardwood Furniture
DO-IT-YOURSELF KITS

Now, you can furnish your home with the very finest solid cherry and oak furniture, and clocks, at a fraction of retail cost.

Imagine a bedroom in solid cherry at a cost of hundreds, instead of thousands.

Picture your living room in Queen Anne Styling. Tables, lowboy, secretary desk. All this from easy-to-assemble kits and easy-to-apply finish.

All parts pre-cut. All frames, doors pre-assembled for you.

Thousands of satisfied customers.

Send \$1.00 for
Color Catalog

Name: _____
Street: _____
City: _____
State: _____ Zip: _____

EMPEROR
CLOCK COMPANY

WORLD'S LARGEST MANUFACTURER OF
GRANDFATHER CLOCK AND FURNITURE KITS
Dept. 4414 Emperor Industrial Park
Fairhope, AL 36532
Tel: 205-928-2316

Reliant POWER TOOLS

Value Plus
Performance At
Discount Prices

15" Planer With Stand

- Large capacity (full 15") with motor below for stability.
- Corrugated infeed & outfeed gear-driven rollers for easy feeding.
- Double rollers on top for returning stock.
- Adjustable power feed control clutch lever starts & stops feed instantly without stopping motor.
- Two speed feed rate of 16.5 & 20 FPM.
- 3 HP motor, 230 volt single phase for heavy duty.
- Triple cutter head delivers 13,500 cuts/minute.
- Handles 195" of stock per min. • With dust hood.

DD37 Only

\$995⁹⁵

Includes Shipping

Fast FREE
Shipping to 48 States

Offer Expires 9/30/92

1-YEAR LIMITED WARRANTY

1-800-767-9999

To order at this special price, mention Dept WD92 to our operator.
MA, ME, RI Res. Add Sales Tax

Trend-lines

Dept. WD92 • 375 Beacham St • Chelsea MA 02150

For Free Catalog Call-1-800-366-6966



PRODUCTS THAT PERFORM

Continued from page 24

Cutters eliminate ring around the plug

The concept behind Snug-Plug Cutters is so simple, and the product's results so impressive, that I'm surprised that it has taken so long for this product to hit the woodworking market. Unlike other plug cutters that produce cylinder-shaped plugs with perpendicular walls, the Veritas Snug-Plug Cutters yield plugs with slightly tapered walls (just 1 1/2°). Because of this feature, the plugs fit like a cork in a bottle, even if you drill a hole oversized by 1/64".

In my tests, the tapered plugs filled their holes as tight as possible after I glued and tapped them into place. And, the cork-like shape helped me control the grain orientation of the plugs as I inserted them. Because of these attributes, the plugs produced an

almost-nonexistent ring after I sanded them flush.

I also found that it helped to countersink the screw holes with Forstner bits. Because of the scoring action of a Forstner bit's rim, it produces an exceptionally clean hole. Whenever possible, I recommend that you use a drill press for best results when cutting the plugs and their holes.

—Tested by Jim Downing

Veritas Snug-Plug Cutters, \$29.95 plus postage for a set of three (1/4", 3/8", and 1/2" sizes), from Garrett Wade, 161 Avenue of the Americas, New York, NY 10013. Call 800/221-2942 or 212/807-1155.

Goof-proof water-based stains and pickling gels

How would you like to try a pigmented finish that's nontoxic, low-odor, fast-drying, and cleans up in a jiffy? Home Decor stains, pickling gels, base coats, and antiquing gels tout all of these wonderful features, and after trying them in my shop, I have to say these products impressed me.

Each finish applied effortlessly with a brush or rag, and dried within 20 minutes. No matter which finish I experimented with, my projects turned out beautifully and without a hint of grain fuzzing (a problem with some water-based stains). Here's what I found out about the different products.

For an instant aging effect, I spread on the base coat before applying the antiquing gels on some new projects. Because of the gels' consistency, the products didn't drip and I was able to control the coverage and degree of aging.

The pickling gels come in 14 colors designed for bare wood. I tried the rose pink gel and achieved just the right amount of coverage in one coat. I had earlier tried a competitor's pink stain, and even after six coats, I hadn't achieved the results I needed.

You can buy the stains in liquid or gel form and in eight colors. The liquid stains work fine and cost a little less, but the gels cover better, and bring out the wood grain more prominently.

—Tested by Bob McFarlin

Home Decor finishes by Delta Technical Coatings, \$1.99 for 2 oz., \$4.99 for 8 oz., and \$7.59 per pint for gel products (liquid finishes cost slightly less). Available at craft and variety stores nationwide. Call 800/423-4135 for more information or the name of the dealer nearest you.

Continued on page 28



STEVE WALL LUMBER CO.

Quality Hardwoods and Woodworking Machinery For
The Craftsmen and Educational Institutions

Ash	4/4	Select	1.90	UPS	\$60.00
Basswood	4/4	Select	1.30	Special	\$48.00
Birch	4/4	Select	1.65		\$54.00
Cherry	4/4	Select	2.45		\$69.00
Cypress	4/4	Select	1.60		\$50.00
Hickory	4/4	Select	1.50		\$48.00
Mahogany (Genuine)	4/4	Select	2.75		\$74.00
Maple (Hard)	4/4	Select	1.80		\$53.00
Maple (Soft)	4/4	Select	1.35		\$47.00
Pecan	4/4	Select	1.50		\$48.00
Poplar	4/4	Select	1.20		\$46.00
White OR Red Oak	4/4	Select	1.90		\$58.00
Walnut	4/4	Select	2.75		\$72.00
Cedar (Aromatic Red)	4/4	1C+Btr.	1.40		\$47.00
White Pine	4/4	FG.	.95		\$38.00

Above prices are for 100' quantities of kiln dried rough lumber sold by the Bd. Ft. FOB Mayodan, NC. Call for quantity discounts. Other sizes and grades available.

Above prices are 20 bd. ft. bundles of clear kiln dried lumber 3"-10" wide - 3'-7' long (Random widths & lengths) Surfaced 2 sides or rough. Delivered UPS prepaid in the Continental U.S.

LUMBER SPECIALS

MAHOGANY 100 Bd. Ft. Bundle #1 Common S2S 13/16 \$175*
WALNUT 100 Bd. Ft. Bundle #1 Common 4/4 \$110*
*FOB Mayodan - Motor Freight Only

Call For Best Prices On *MiniMax*

STEVE H. WALL LUMBER CO.

BOX 287 • MAYODAN, N.C. 27027

919-427-0637 • 1-800-633-4062 • FAX 919-427-7588

Send \$1.00 For Lumber and Machinery Catalog

WOODCARVING

The Magazine for ALL woodcarvers.

Designed and produced to the same high standard as those two other thoroughbreds Woodturning and Woodworking today, each issue of Woodcarving is written with the interests of both the experienced and aspiring woodcarver in mind. Regular features include product and equipment reviews; exploration of woodcarving techniques; well illustrated projects; ideas, hints and tips.

Woodcarving magazine will become the most useful tool in your workshop!

Woodcarving is a quarterly magazine and the first issue will be published in September 1992.

A one year subscription costs \$27.50.

A two year subscription costs \$49.50.

TO SUBSCRIBE TO WOODCARVING USING YOUR CREDIT CARD OR FOR FURTHER INFORMATION CALL FREEPHONE

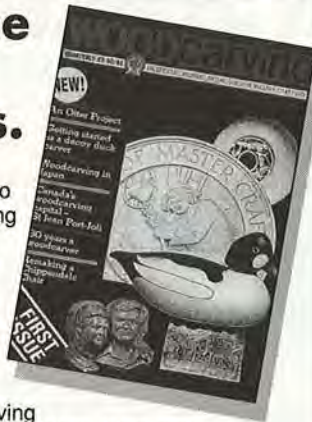
1800 225 9262 (24 HOUR ANSWERPHONE)

or write to:

The Guild of Master Craftsmen

CASTLE PLACE 166 HIGH STREET LEWES
EAST SUSSEX BN7 1XU ENGLAND

WD3



• ROUTER BITS • SHAPER CUTTERS •

FREE CATALOG

OVER 2000 ROUTER BITS, SHAPER CUTTERS & ACCESSORIES

Send today for your FREE copy of our 64 page catalog. The industry's largest selections of American made bits. The finest quality backed by the best guarantee in the business! Over 600 photos and technical illustrations. Over 600 new items. Many exclusives and hard to find items!

To Order Call TOLL FREE
1-800-872-2511 or write:

EAGLE AMERICA

124 PARKER COURT, P.O. BOX 1099
CHARDON, OHIO 44024

• BOOKS • COUNTER SINKS & DRILLS •

Econ-Abrasives

WE MAKE ABRASIVE BELTS ANY SIZE, ANY GRIT!

Standard Abrasive Sheets			ABRASIVE BELTS	
CABINET PAPER			PLEASE SPECIFY GRITS	
	50/pk	100/pk		
60D	\$15.00	\$27.00C	1X30	\$.73 ea
80D	14.00	25.00C	1X42	.73 ea
100 thru 150C	13.00	23.00C	1X44	.73 ea
FINISHING PAPER			2 1/2X16	.77 ea
80A	\$ 10.00	\$17.00C	3X18	.78 ea
100 thru 280A	9.00	15.00C	3X21	.81 ea
WET/DRY PAPER			3X23 3/4	.84 ea
220 thru 600	\$14.00	\$24.00C	3X24	\$.84 ea
NO LOAD PAPER(white)			3X27	.87 ea
100 thru 400A	\$11.00	\$19.00C	4X21 3/4	.96 ea
"C" = 100 SHEETS			4X24	.99 ea
Velcro® Vacuum Discs			4X36	1.20 ea
8 Hole pattern for Bosch sanders			6X48	3.14 ea
Dia.	Grit	Price	2 1/4X80	2.94 ea
5"	60	\$.48 ea	JUMBO CLEANING STICK ONLY \$8.80 2X2X12	
5"	80	.46		
5" 100 thru 320	.45			
* OTHER PRODUCTS *			*Wide Belts*Rolls*Flap Wheels *Pump Sleeves*PSA Discs *Router Bits*Wood Glue *Wood Bits*Velcro® Discs *Wood Clamps*Sanding Blocks *Drawer Slides*Hinges*TV Swivels	

Econ-Abrasives
P. O. Box B865021
Plano, TX 75086
(214)377-9779

NATIONAL ORDERING LINE (800) 367-4101

PRODUCTS THAT PERFORM

Continued from page 26

Give your feet a break with this snappy floor mat

After an hour or so of standing on the hard, painted concrete floor of my workshop, my feet and legs grow fatigued. And with the ever-present fine layer of sawdust coating the smooth surface of the floor, things can get a little slippery underfoot. That's why I

turned to the Snap-A-Matt floor system for a little help. After a thorough tryout, I'm glad I did.

The product consists of 12x12" plastic "tiles" that interlock to fit a floor space of any size or shape. Each tile has flexible ridges that grip the soles of your shoes while providing a feel-good cushion. Sawdust falls between the ridges and easily cleans up when you vacuum the mat. To finish off the mat I designed, I just snapped the needed number of tapered edge pieces in place around the interlocked tiles. These make the transition between the floor and mat safe and smooth.

I found the Snap-A-Matt easy to assemble. It improved my footing greatly, and although it's not as cushioned as some foam-type mats, it also lessened the strain on my legs. Because of the tapered edges, I have never tripped on the mat or had difficulty rolling a mobile machine across it.

You can buy Snap-A-Matt in eight colors. And though I only used the mat in my workshop, the manufacturer points out that the product will also prevent slippage around pools, boats, and boat docks. And you can protect the bed of your pickup with it.

—Tested by Bill Krier

Snap-A-Matt, about \$3 per square foot at hardware stores in the U.S. and Canada. Tapered edges cost approximately \$2.10 each. For a dealer near you, call 800/361-7350.



Quality Woodworking Machines at Affordable prices from

Penn State Industries

Dept. W, 2850 Comly Road • Phila, Pa. 19154 • Info: 215-676-7609

Order Toll Free 1-800-288-7297 • Visa, Master, & Discover Cards accepted

When ordering - Add UPS Shipping Charges as noted • Pa residents add 7% Sales Tax

Call or Write for our New 24 Page Color Catalog



Two Way Sanders

Features of both models:

- Dust collector on belt
- Tables tilt to 45°
- Sealed ball bearings
- Easy belt tracking

6x9 Sander:

- Includes stand
- 9" Disc • 6"x48" Belt
- 3/4 HP, 1720 RPM
- Free Belts & Discs worth \$21.00

#S69 ... \$219.95 (UPS \$30)

4x8 Sander:

- 8" Disc • 4"x36" Belt
- 1/3 HP, 1720 RPM
- Free Belts & Discs worth \$14.00

#S48 ... \$109.95 (UPS \$8)

ON SALE



Super 125 Planer only \$359.95

This machine will pay for itself time and again by planing your own wood. Finishes wood like machines many times its price.

- Portable at 65 lbs
- 26.2 fpm power feed
- HSS Knives 12-1/2" wide
- Motor: 16Amp, 8000RPM 2HP, 115V
- 1/8" Max depth of cut

#PLA \$359.95 (UPS \$15)

Extra Knives ...\$25/pair

Dust Chute ... \$15/ea (UPS \$3)

Stand \$39/ea. (UPS \$6)

ON SALE



Variable Speed Scroll Saw only \$169.95

Cuts intricate patterns in many different materials. Electronically controlled motor gives full power at all speeds 400-1800cpm.

FREE ACCESSORIES:

- Dust blower • 1 dz blades
- EZ Set permanent top arm blade holders • EZ jig to attach standard holders • 4 blade holders • Neptune 1-1/2" lettering guides w/6 patterns

Specifications:

- Motor: 1.3 Amp, 110V
- Throat: 15" deep • Stroke-3/4"
- Tilt 0-45° left • Cut Depth: 2"
- Blades: uses pin & plain end

#SVS \$169.95 (UPS \$10)

NEW



Dust Collectors 750 CFM Portable Dust Collector:

This 1-1/2HP model is lightweight and portable at less than 50 lbs.

- 1-1/2HP, 110/220V • 1 outlet @ 4" • 1 Bag @ 20 gal • Wt: 46 lbs • 750CFM • Free: 8' of hose, 1 ea 4" to 3", 1 ea 4" to 2" adaptor.. \$15Value

#DC3 \$209.95 (UPS \$10)



900 CFM Dust Collector:

This 1-1/2HP model allows for use in 2 or more machines & gives improved service for long runs of hose.

- 1-1/2HP, 110/220V • 2 outlets @ 4" • 2 Bags @ 30 gal • Wt: 120lbs • 900CFM • Free: 50' of hose, 1 ea 4" to 3", 2 ea 4" to 2" adaptors.. \$40Value

#DC2 \$299.95 (UPS \$30)



610 CFM Dust Collector:

This collector is perfect for hook-ups to almost any single machine.

- 1HP, 110/220V • 1 outlet @ 4" • 2 Bags @ 20 gal • Wt: 75lbs • 610 CFM • Free: 8' of hose, 1 ea 4" to 3" & 4" to 2" adaptors.. \$15 Value

#DC1 \$199.95 (UPS \$20)

Titebond® II Wood Glue is great for fowl weather!

One part water resistance.

WeatherProof Titebond II Wood Glue is the first one part exterior wood glue – ready-to-use, no mixing or heating required. It offers all of the performance characteristics woodworkers trust in Original Titebond, plus Type II water resistance.



Ask your local hardware, woodworking store, lumberyard or home center for new WeatherProof Titebond II today. For a dealer near you, call Franklin International 1-800-347-4583.

As seen on "Hometime".



Titebond II is not designed for use below the waterline or continuous submersion.

Franklin International

Be your own boss in one of today's fastest-growing fields. Be a home inspector!

Let NRI at-home training be your first step toward a business of your own where you can earn as much as \$1,000 a day!

Home inspection is fast becoming one of today's hottest career fields. Already one out of every four homes sold is inspected ... and experts say demand is growing 30% to 50% a year. Plus, while the average job takes only a few hours to do, inspectors can make from \$100 to over \$300 per home! Now with NRI, you can, too.

Get the tools you need to set up shop fast — including a computer and home inspection software you keep

From foundations, floors, and roofs to insulation, plumbing, ventilation, and radon testing, NRI training covers every important phase of the home inspection process. NRI even gives you hands-on experience with the tools you need to get into the home inspection business fast. Architect's scale, feet-and-inches calculator, folding rule, Polaroid camera, radon test kit: They're all yours to train with, keep, and use on the job. Plus you get the one piece of equipment no successful home inspector should be without ...

Only NRI gives you a powerful computer system, complete with exclusive home inspection software! Under the guidance of



your NRI instructor, you learn how to use your computer and software to create the kind of comprehensive inspection reports clients pay top dollar for.

Your FREE NRI catalog tells more

Learn how to earn extra cash in your spare time or run your own full-time inspection business! If the coupon is missing, write to NRI Schools, McGraw-Hill Continuing Education Center, 4401 Connecticut Avenue, NW, Washington, DC 20008.

SEND TODAY FOR FREE CATALOG!

NRI Schools
McGraw-Hill Continuing Education Center
4401 Connecticut Avenue, NW, Washington, DC 20008



For career courses approved under G.I. Bill, check for details

Check one FREE catalog only:

- | | | |
|--|---|--|
| <input type="checkbox"/> HOME INSPECTION | <input type="checkbox"/> Automotive Servicing | <input type="checkbox"/> Microcomputer Servicing |
| <input type="checkbox"/> Electrician | <input type="checkbox"/> Small Engine Servicing | <input type="checkbox"/> Computer Programming |
| <input type="checkbox"/> Building Construction | <input type="checkbox"/> Locksmithing | <input type="checkbox"/> Appliance Servicing |
| <input type="checkbox"/> Air Conditioning, Heating & Refrigeration | | <input type="checkbox"/> Gunsmithing |

Name _____ Age _____

Address _____

City _____ State _____ Zip _____

Accredited member, National Home Study Council

1348-092



The **WOOD** IDEA SHOP

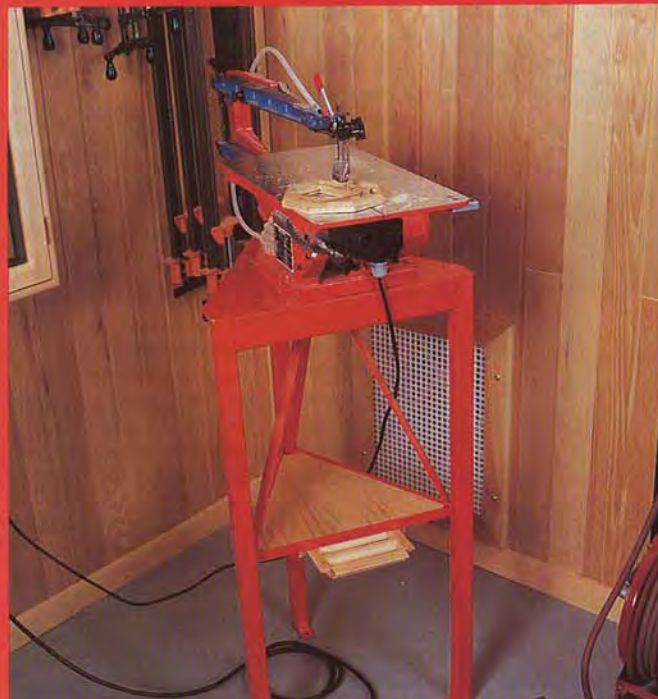
UP CLOSE



DELTA INTERNATIONAL CORP. 1-800-438-2486
Call for the name of your Delta dealer, or write: Delta International Corp., 246 Alpha Drive, Pittsburgh, PA 15238.



DREMEL® **WRITE FOR INFORMATION**
Power tools available at hardware, homecenter, hobby and mass merchant stores or write: Dremel, P.O. Box 1468 Racine, WI 53401-1468.



HEGNER 1-800-648-4264
Hegner Scroll Saws are consistently rated the "best overall performer". Call for FREE catalog complete with blades and accessories from Advanced Machinery.

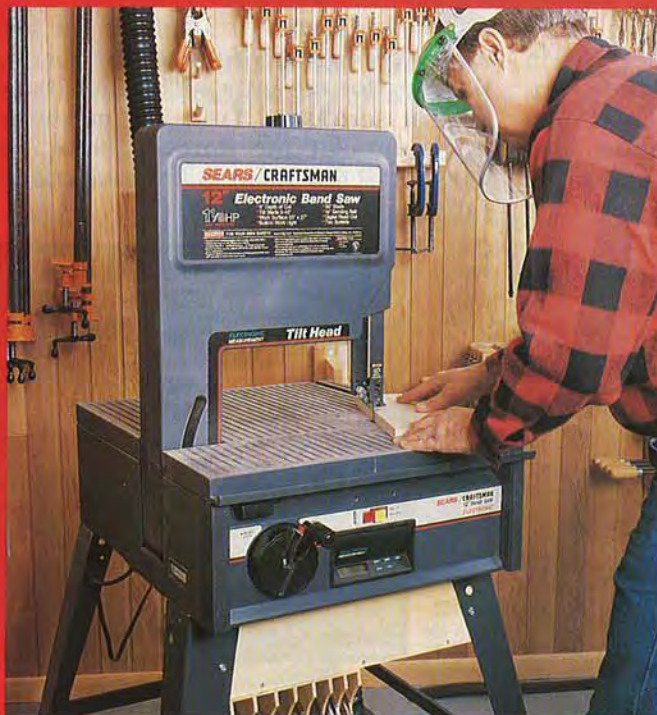


LEICHTUNG WORKSHOPS 1-800-321-6840
Anti-Kickback Hold-Down System: Prevents motor burnout! Perfect Miter Square: Cut a perfect 90° miter every time! Call or write: 4944 Commerce Parkway #2319, Cleveland, OH 44128-5985.



The **WOOD** IDEA SHOP

UP CLOSE



SEARS

1-800-366-3000

Visit your local Sears retail store or order through Sears Catalog by dialing the toll-free number listed above.



SKIL

WRITE FOR INFORMATION

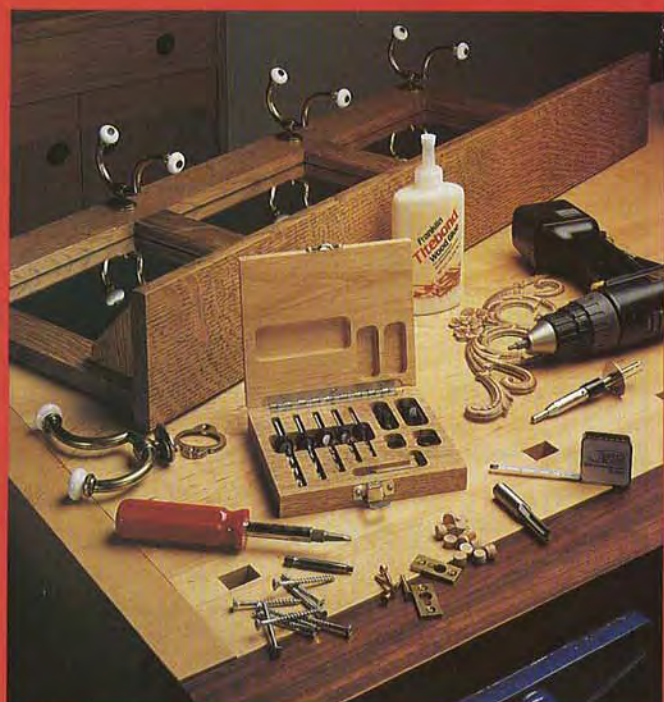
SKIL Corporation, 4300 W. Peterson, Chicago, IL 60646.



WARREN TOOL COMPANY

1-914-876-7817

Warren's finest combination whittling and carving set. COMBI-TCE \$89.95 post paid U.S.A. Call or write: Warren Tool Co., 2209-1 Rt. 9-G, Rhinebeck, NY 12572.



THE WOODWORKERS' STORE

1-612-428-2199

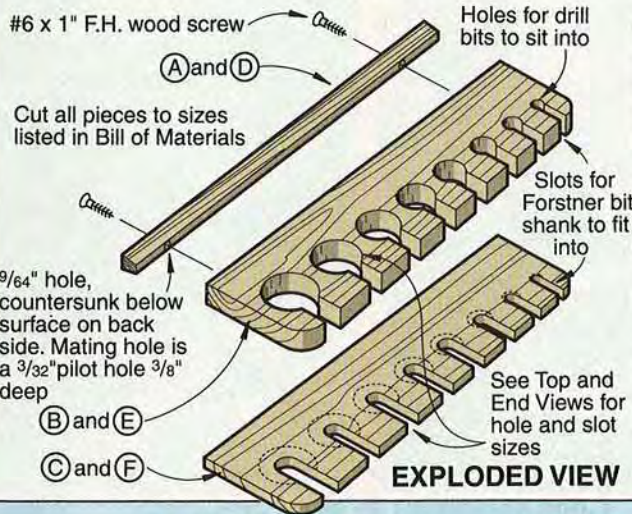
Your source for hard-to-find hardware, wood, tools and know how. Our catalog features over 3000 items! Call for your copy today!

FORSTNER BIT HOLDERS FOR THE DRILL-PRESS CABINET



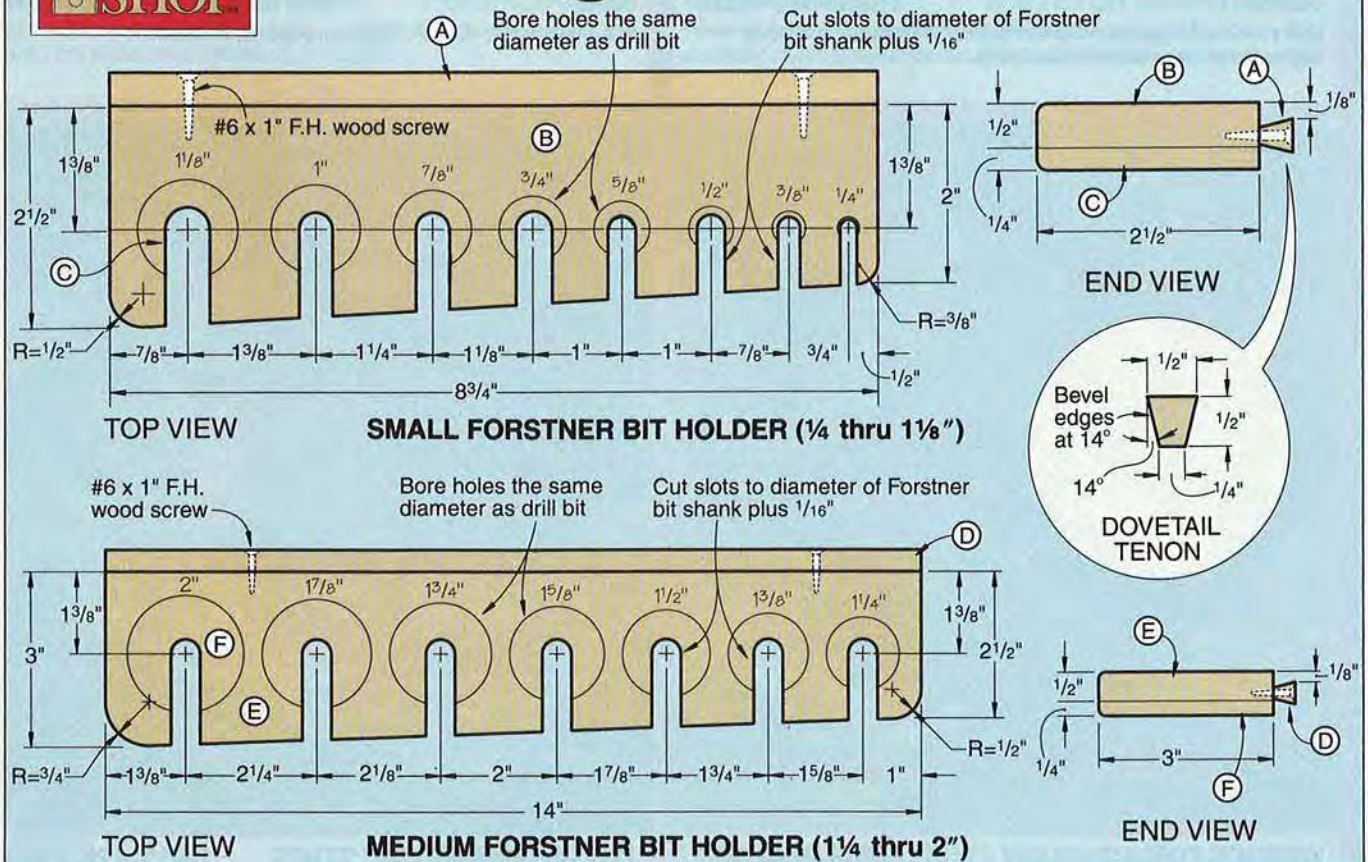
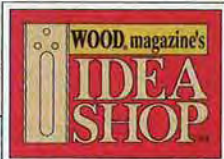
Here's a handy pair of holders to fit inside our universal wall-cabinet system shown on *page 74*. To make each holder, bevel-rip the dovetail strips (A, D) to size. Next, cut the top and bottom shelf pieces (B, C and E, F) to size and shape for each holder. Bore the holes in each

top piece (B and E). Laminate the mating pieces together for each holder. Cut the slots for the bit shank with a band-saw or scrollsaw. Drill the mounting holes through the dovetail strips, and glue and screw them to the back edge of each laminated shelf.



Part	Finished Size			Material	Qty.
	T	W	L		
A	1/2"	1/2"	8 3/4"	maple	1
B	1/2"	2 1/2"	8 3/4"	maple	1
C	1/4"	2 1/2"	8 3/4"	maple	1
D	1/2"	1/2"	14"	maple	1
E	1/2"	3"	14"	maple	1
F	1/4"	3"	14"	maple	1

Supplies: #6 x 3/4" F.H. wood screws, finish.



Project Design: Jim Boelling Illustrations: Kim Downing

Buy Direct From The Manufacturer And **SAVE!**

**Buy 12 "EVER-LAST" Belts...
Get 12 Belts FREE!**



"EVER-LAST" BELTS

Available 36x to 320x grit

1"x30" ...	\$16.50/Doz.	+ 12 FREE
1"x42" ...	16.95/Doz.	+ 12 FREE
2"x48" ...	25.25/Doz.	+ 12 FREE
2½"x16" ...	17.95/Doz.	+ 12 FREE
3"x18" ...	18.25/Doz.	+ 12 FREE
3"x21" ...	19.25/Doz.	+ 12 FREE
3"x24" ...	19.75/Doz.	+ 12 FREE
4"x21" ...	23.50/Doz.	+ 12 FREE
4"x21¾" ...	23.75/Doz.	+ 12 FREE
4"x24" ...	24.00/Doz.	+ 12 FREE
4"x36" ...	28.75/Doz.	+ 12 FREE
6"x48" ...	37.50/½ Doz.	+ 6 FREE

Other size belts on request.

Belt Cleaning Stick \$4.95 each

WIDE BELTS (Minimum of 3 belts per size)

SIZE	Anti-Static	Alum. Oxide Resin Bond Cloth Belts		
	"E" Wt. Paper 220E-100E	"X" Wt. Cloth 400x-100x	"X" Wt. Cloth 80x	"X" Wt. Cloth 60x
19"x48"	\$ 7.90 ea.	\$11.09 ea.	\$11.45 ea.	\$12.00 ea.
24"x60"	11.33	16.37	16.94	17.81
25"x60"	11.80	17.05	17.65	18.55
25"x75"	13.56	20.13	20.88	22.00
36"x75"	19.53	28.98	30.06	31.68
37"x60"	17.46	25.23	26.12	27.45
37"x75"	20.07	29.79	30.90	32.56
50"x103"	33.71	51.73	53.79	56.88
52"x75"	28.21	41.86	43.42	45.76

(WIDE BELTS Not Included in Special Offer)



9" x 11" SHEET GOODS

A/O CABINET PAPER		NO-LOAD PAPER (White)		A/O CLOTH SHEETS	
GRIT	100/pk	GRIT	100/PK	GRIT	50/pk
220A-180A	\$21.00	400A-180A	\$19.00	400J-100J	\$27.50
150C-100C	23.00	150A-100A	24.00	80J	29.50
80D	25.00	80A	28.00	60J	33.50
60D	27.00				

No-Load Paper Sticky Discs 100/pk

	GRIT	5"	6"
PSA Carat	400B-100B	\$15.45	\$20.95
PSA Carat	80D	16.45	21.95
PSA Gold	400C-100C	18.95	25.95
PSA Gold	80D	20.95	27.95



"E" Wt. Aluminum
Oxide Paper Rolls
80E thru 220E

4-1/2" x 25 ft. . . . \$9.95
3-5/8" x 25 ft. . . . 8.95



**6" WIDE STROKE
SANDING
BELTS**

Special!

Buy 12 Belts...
Pay for only
Eleven!

SIZE	PRICE
150" - 175"	\$10.50
176" - 200"	11.75
201" - 225"	13.00
226" - 250"	14.25
251" - 275"	15.50
276" - 300"	16.75
301" - 325"	18.00
326" - 350"	19.25

Other sizes available
Avail. 36x to 320x grit

We also supply... Flap Wheels, Pump Sleeves,
Sanders, Cloth Discs Shop Rolls, Drum Sanding
Rolls, Floor Sanding Paper, "Velcro®" Discs, Wood
Glue, Cones, Bands, Grinding Belts, Non Woven
Abrasives, plus much more!!!

WE OFFER VOLUME DISCOUNTS!

For Fast Delivery **1-800-428-2222**
M thru F 8:30-4:30. Call or write for FREE catalog.

Shipping Charges: \$4.75 in Continental USA
Minimum order \$25.00. PA residents add 6% sales tax
We accept: Visa, Mastercard, money order or checks

**INDUSTRIAL
ABRASIVES CO.**
643 N. 8th ST. • READING, PA 19612

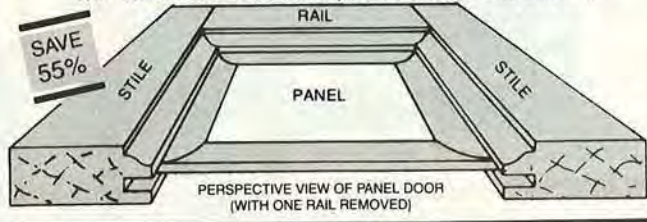
MAKE BEAUTIFUL RAISED PANEL DOORS WITH YOUR . . . 1/4" or 1/2" ROUTER . . . 1/2" or 3/4" SHAPER

Professional production quality bit makes it quick and easy to produce matching rails and stiles — the panel raising bit with ball bearing guide makes the raised panel perfect every time.

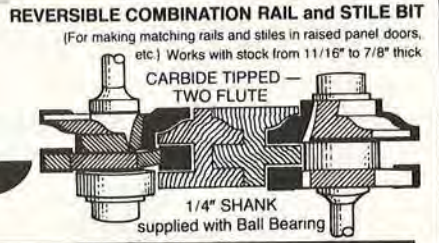
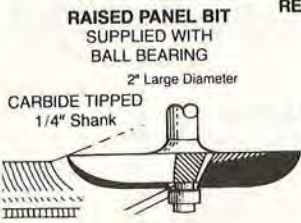
SALE PRICE **\$69⁹⁵** Regular value over \$150.00!
FOR COMPLETE SET
 1/4" Shank set item #554 (includes both bits shown)

SET ALSO AVAILABLE IN 1/2" SHANK - \$79.95 - Item #852

Shaper Cutters set: Item #1059
SAVE! only \$99.95
 Set: Rail & Stile & Raised Panel Cutters



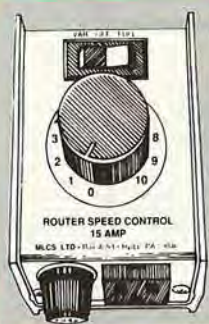
SAVE 55%



CARBIDE TIPPED ROUTER BITS • PROFESSIONAL PRODUCTION QUALITY GUARANTEED WHEN ORDERING ANY THREE OR MORE DEDUCT \$1.00 EACH. • FREE SHIPPING IN CONTINENTAL U.S.

ITEM NO.	BEST CUT BEST PRICE	DESCRIPTION	ANGLE/DEPTH/RADIUS CIRCLE DIAMETER	LARGE DIA.	CUTTING LENGTH	SHANK SIZE	PRICE
#601	Solid Carbide	1/8" Spiral Cutter		1/8"	1/2"	1/4"	\$ 9.00
#603		1/4" Spiral Cutter		1/4"	3/4"	1/4"	\$12.00
#903		1/4" Spiral Cutter		1/4"	3/4"	1/2"	\$12.00
#904		3/8" Spiral Cutter		3/8"	1"	1/2"	\$24.00
#905		1/2" Spiral Cutter		1/2"	1 1/2"	1/2"	\$29.00
#530		3/16" Edge Beading	3/16" Dia. of Circle		1/2"	1/4"	\$15.00
#531		5/16" Edge Beading	5/16" Dia. of Circle		1/2"	1/4"	\$15.50
#350		1/8" Round Over	1/8" R	3/4"	3/8"	1/4"	\$11.00
#351		3/16" Round Over	3/16" R	7/8"	1/2"	1/4"	\$11.00
#230		1/4" Round Over	1/4" R	1"	1/2"	1/4"	\$12.00
#353		5/16" Round Over	5/16" R	1 1/8"	1/2"	1/4"	\$14.00
#209		3/8" Round Over	3/8" R	1 1/4"	5/8"	1/4"	\$15.00
#355		1/2" Round Over	1/2" R	1 1/2"	3/4"	1/4"	\$17.00
#655		1/2" Round Over	1/2" R	1 1/2"	3/4"	1/2"	\$17.00
#656		3/4" Round Over	3/4" R	2"	7/8"	1/2"	\$21.00
#199		Multiform Moulding	Unlimited Patterns	2 1/4"	2"	1/2"	\$40.00
#205		1/4" Cove	1/4" R	1"	1/2"	1/4"	\$12.00
#206		3/8" Cove	3/8" R	1 1/4"	9/16"	1/4"	\$13.00
#207		1/2" Cove	1/2" R	1 1/2"	5/8"	1/4"	\$14.00
#643		1/2" Cove	1/2" R	1 1/2"	5/8"	1/2"	\$15.00
#208		3/4" Cove	3/4" R	1 7/8"	3/4"	1/2"	\$26.00
#231		5/32" Roman Ogee	5/32" R	1 1/4"	1 3/32"	1/4"	\$16.00
#232		1/4" Roman Ogee	1/4" R	1 1/2"	3/4"	1/4"	\$17.00
#506		1/2" Pattern	Flush Trim	1/2"	1"	1/4"	\$15.00
#508		3/4" Pattern	Flush Trim	3/4"	1"	1/4"	\$17.00
#366		1/8" Slot Cutter	3/8" Deep	1 1/4"	1/8"	1/4"	\$14.00
#368		1/4" Slot Cutter	3/8" Deep	1 1/4"	1/4"	1/4"	\$14.00
#204		3/8" Rabbeting	3/8" Deep	1 1/4"	1/2"	1/4"	\$13.00
#670		3/8" Rabbeting	3/8" Deep	1 1/4"	1/2"	1/2"	\$14.00
#211		3/8" Core Box	round nose	3/8"	3/8"	1/4"	\$10.00
#212		1/2" Core Box	round nose	1/2"	1 1/32"	1/4"	\$13.00
#418		3/4" Core Box	round nose	3/4"	5/8"	1/4"	\$15.00
#213		1" Core Box	round nose	1"	3/4"	1/2"	\$17.00
#548		Lockmitre		2"	7/8"	1/4"	\$32.00
#214		1/4" Straight	plunge cutting	1/4"	3/4"	1/4"	\$ 6.50
#216		3/8" Straight	plunge cutting	3/8"	1"	1/4"	\$ 6.50
#474		1/2" Straight	plunge cutting	1/2"	1"	1/4"	\$ 7.00
#219		3/4" Straight	plunge cutting	3/4"	1"	1/4"	\$ 9.50
#779		3/4" Straight	plunge cutting	3/4"	1 1/2"	1/2"	\$10.00
#462		1/2" Bull Nose	1/2" Dia. of Circle		3/4"	1/4"	\$16.00
#464		3/4" Bull Nose	3/4" Dia. of Circle		1"	1/4"	\$21.00
#764		3/4" Bull Nose	3/4" Dia. of Circle		1"	1/2"	\$21.00
#545		Tongue & Groove	Straight	1 5/8"	1"	1/4"	\$29.00
#845		Tongue & Groove	Straight	1 5/8"	1"	1/2"	\$29.00
#546		Tongue & Groove	Wedge	1 3/16"	1"	1/4"	\$29.00
#846		Tongue & Groove	Wedge	1 5/8"	1"	1/2"	\$29.00
#450		1/8" Beading	1/8" R	3/4"	3/8"	1/4"	\$11.00
#233		1/4" Beading	1/4" R	1"	1/2"	1/4"	\$13.00
#454		3/8" Beading	3/8" R	1 1/4"	5/8"	1/4"	\$15.50
#455		1/2" Beading	1/2" R	1 1/2"	3/4"	1/4"	\$17.00
#500		3/8" Flush	Trimming	3/8"	1/2"	1/4"	\$ 7.00
#501		3/8" Flush	Trimming	3/8"	1"	1/4"	\$ 7.50
#503		1/2" Flush	Trimming	1/2"	1"	1/4"	\$ 8.50
#221		1/2" Flush	Trimming	1/2"	1 3/16"	1/2"	\$ 8.00
#558		Thumbnail		1 3/16"	3/8"	1/4"	\$18.50
#858		Thumbnail		2 1/2"	3/4"	1/2"	\$35.00
#579		Molding Plane		1 1/8"	1 3/4"	1/4"	\$31.95
#879		Molding Plane		1 1/8"	1 3/4"	1/2"	\$31.95

New 32-page catalogue featuring 100's of high-quality router bits, plus other professional woodworking products.



Featured in WOOD® magazine Idea Shop

CONTROL THE SPEED OF YOUR ROUTER

ROUT AT THE SPEED THAT GIVES THE BEST RESULTS WITH THE WOOD AND BIT YOU ARE USING!

FEATURES:

- Speed Adjustable from Full Speed to 0 RPM
- Full Horsepower and Torque at All Speeds
- Go Back and Forth from Any Pre-Set Speed to Full Speed at the Flip of a Switch
- Works with All Routers 3/4 HP or Less
- 120V 15 Amp
- Gives Your Router a Feature Only Available on Routers Costing Hundreds of Dollars!

Visit Our Fully Stocked Showroom While in the Phila. Area
 (Call for easy directions — 8:30-5:00 M-F)
NOW ONLY \$39.95
 Order Item #200

EASY TO USE - Simply plug in Speed Control and plug your router into the Speed Control - turn dial for best results. (Speed Control has a clip that can be worn on your belt or hung on wall or left loose.)

• Reduces speed electronically without reducing torque; electronic feed-back maintains speed by increasing voltage to motor as load increases.

To order by Master Charge, Visa, or Discover Call Toll Free, 7 Day - 24 Hour Order Service, **1-800-533-9298** or send check to: **MLCS Ltd., P.O. Box 4053D P, Rydal, PA 19046**

SPLIT-ASH BASKETS

MAINE STYLE



Baskets by Stephen Zeh, *from rear*, 18" dia. bushel corn basket; covered feather basket, 10" dia.; covered swing-handle, 10" dia.; tea, 7" long; potato baskets, 3" dia.; French bread, 7" long; mini swing-handle, 1¼" dia.

Wood-wise craftsman Stephen Zeh really knows how to make the most of a tree, as long as it's brown ash.

Continued



Stephen Zeh with a sturdy pack basket he wove from splints.

In Maine, it's plain that there's only one tree suited for baskets—that's brown ash. And don't try to convince a Mainer otherwise. Even citing the botanical fact that their basket tree is truly black ash, *Fraxinus nigra*, does no good. "Maybe," they'll reply, "but around here, we don't use black ash for baskets."

At age 40 the most acclaimed of his state's basketmakers, Stephen Zeh of Temple, Maine, recalls how he learned the difference. "Eddie Newell, the Penobscot Indian who taught me how to make baskets, said that black ash grows where it doesn't get its feet wet. That's why black ash isn't good for baskets. It's not wet enough."

Walking through a leafless woodland just over the ridge from his home and shop, Stephen continues his explanation. "On the other hand, brown ash likes it wet. Botanically, they may be the same species, but there's definite-

ly a difference—inside. Brown ash has so much water that even way down in the heartwood it will squirt out when you pound it. It's like the watermelon of wood."

Pursuing the basket tree

Stephen doesn't count the days and hours he spends searching for the right trees in his baskets' construction time. Otherwise, the retail price would soar way beyond what the market would bear.

"On the average, I'll only find one brown ash tree in 100 that will do," says the ruddy-faced woodsman, sweeping his arm toward a stand of trees in a bog. "Here, there are about 15 brown ash, and with luck, I think three will be good basket trees. There are very few brown ash at all in the whole town [township], which is 36 square miles of hills."

In an effort to cool off, Stephen tips back his wool plaid cap and unzips his jacket. "You can't just glance at a map and expect to find where the brown ash grows—you have to walk in.

"When I do find some brown ash, I look for certain things," he continues. "A good basket tree will be straight, free of any knots and twists, and vigorous growing. To tell that,

I check the top. Thick branches mean it's healthy."

When a brown ash passes Stephen's brief examination, he brings out a hammer and chisel, *below left*. "I chisel a small notch in the tree to check the growth rings. They're what I use for basket splints," he explains. "I inspect the rings for consistency and thickness. Fast-growing trees have wider rings and make thicker, better splints."

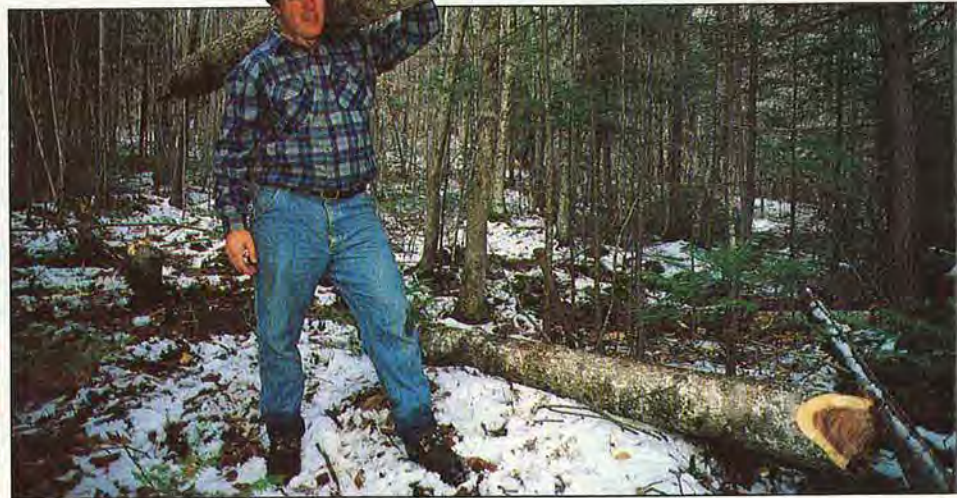
As his chisel bites through the bark and into the wood, Stephen says. "Once, I chiseled into a tree, then cut it down and took it home only to find a strange dark spot when I was stripping splints." Stephen then explains how he later learned that another had eyed the same tree some 20 years before, a well-known Micmac Indian basketmaker named Joe Knockwood. "But it wasn't quite right then."

From trapline to baskets

Despite the growing fame of his traditional Maine baskets, Stephen remains unassuming. He nostalgically remembers the years near North Anson, Maine, when he and Tammy, his wife, shared a rustic, no-frills log cabin. A trapper and hunter, Stephen chose to live off



After finding a good-looking basket tree in the forest, Stephen chisels a notch in it to check the growth rings' thickness.



The first 8-10' of a brown ash provides the toughest splints. In a year, Stephen will use 30-50 of such trees, each hand-carried from the woods on his shoulders to the truck, dragged out by horse, or pulled by snowmobile.



the land, working hard in often unfriendly weather. In even the best years he would net less than \$10,000 for his fox, beaver, and coyote pelts. Yet, it was the outdoorsman's life in the forest that led him to basketmaking.

New Englanders have always relied on their traditional splint-woven, open-topped pack baskets rather than backpacks or rucksacks to carry their gear afield. Stephen was no exception.

"I carried a pack basket to tend my trapline," he explains, "but the ones available at sporting-goods stores just wouldn't hold up. They were made of sawed splints or veneer—cut across the grain so they were weaker." Because old-timers had taught him to trap, he again turned to them to learn basketmaking. "Eddie Newell showed me how to select the right tree, pound it into strips,

and weave with the splints in the way of his people."

Now, a dozen years later, Stephen's baskets command attention—and top dollar—for their design, detail, and craftsmanship. For instance, his large Maine potato basket, measuring 8" in diameter and 9" high, sells for about \$1,400. The pack baskets he improved carry price tags of \$975 to \$1,600, depending on the size.

Stephen says that part of the appeal for his baskets rests in their design. "My baskets follow the traditional shapes. They're based on old forms and styles used in Maine, but they're all my own designs, according to what I see the basket should be." Beyond beauty, buyers also marvel over their tough, woven sturdiness.

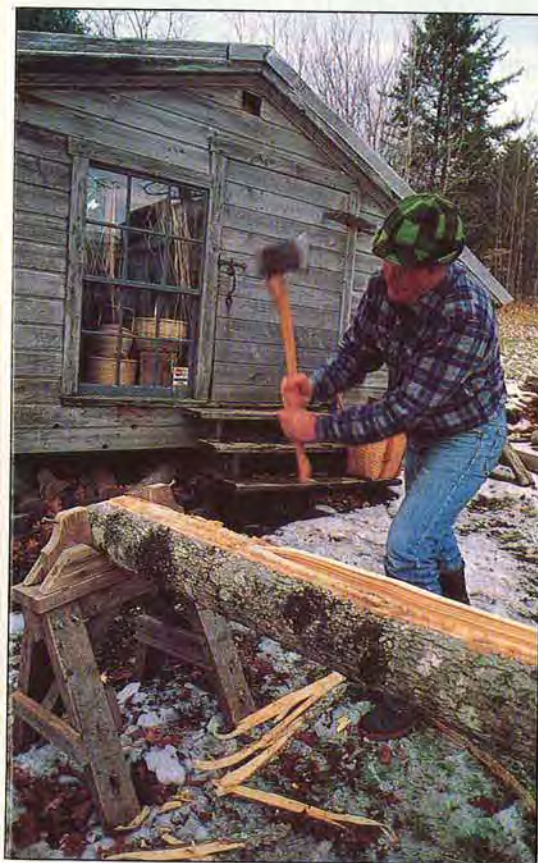
"The key is the materials—pounded and hand-split ash so that all parts of the basket follow

the grain of the wood," he explains. "I've taken the tree apart year by year, layer by layer, the actual way that it grew rather than slicing and shaving the wood to cut through the grain. Doing it like that preserves the natural strength and durability of the ash."

How to peel a basket tree

Stephen, 6' 2" and 220 pounds, normally hauls his ash trunks out of the woods one at a time, on his shoulder. Of course, the brown ash he harvests tends to be small, rarely more than 50 years old, and 15" in diameter at the base. And he only uses the first 8' or so, where the wood grows toughest. Still, delivering the log home marks only the first step in a long process, as shown *below*.

Continued



Stephen has ground off the sharp edges of the flat back of the ax head so as not to damage the splints as he pounds the log.



Before stripping off splints, the basketmaker marks their width at about 2" with incisions.



The growth rings peel off 5–6 at a time as separate splints about 1/8" to 1/32" thick. Stephen will use both sapwood and heartwood.

SPLIT-ASH BASKETS



Left. Stephen scrapes ash splints clean so they'll weave more easily, but the process adds luster, too. *Above.* With the uprights in place on the mold, Tammy weaves a small basket. Each round Zeh basket begins with a kick-up bottom to distribute the load.

Outside the shop, Stephen heaves his newly acquired log into its cradle of notched sawhorses. "If I leave the bark on, I can keep a log up to a year without it drying out much," he says, reaching for his drawknife. Then, with long, quick strokes, he peels a 6"-wide swath of the log's gray bark down its length.

"I only strip one narrow area at a time, gradually working my way around the log," Stephen says. Now, he picks up his ax and begins whacking the bare area with the blunt end of the ax head.

After 10 minutes of pounding, Stephen pauses, sweat streaking down his cheeks in rivulets. "The pounding breaks the growth rings apart—early wood from late wood," he says. "And the harder I hit it, the deeper the break goes through the layers." Think, think, think.

"I pull the splints as they come,

following what the tree wants to do, not what I want to do," he notes. The splints gleam like satin ribbons as he separates them. Varying in thickness from $\frac{1}{32}$ " to $\frac{1}{8}$ ", they seem as strong and flexible as strapping tape. "Wait until I scrape them, they'll really shine."

"For rims and handles, instead of pounding a log, I'll split it in half with a froe, then quarter it, then split out the heartwood," he explains. "Next, I'll put the heartwood in a vise and split it down further with a knife blade. When I shape the handles and rims on the shaving horse, I go with the grain, too. You see, I make weaving materials, and then I make handles and rims. They're not concurrent processes, because for han-

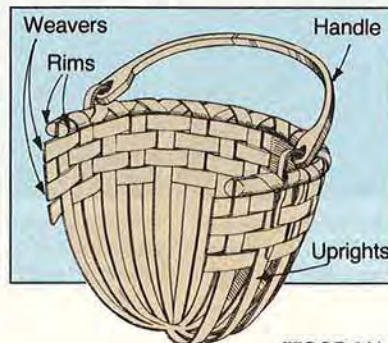
dles and rims, I must work the wood green."

Baskets from the bottom up

Stephen gets a little more than 100 or so usable splints from a tree. It takes nearly 40 for a large basket, and 15 for a small one. That's counting the uprights and all the weavers.

Depending on the scale of the basket, the weavers range in width from $\frac{1}{64}$ " to $\frac{1}{2}$ "; the uprights, from $\frac{1}{4}$ " to 1". When he's ready to make a basket, Stephen wets the splints by soaking them,

scrapes them clean with a knife, as shown in the photo *above left*, and then cuts them to the width needed. For this task he relies on what he calls a "gauge"—a home-





Above photos. Stephen seats the solid ash inner rim, and then adds an outer rim to protect the top. Next, with stout, flexible splints, he tightly lashes the rims together and to the weavers.

made device with small blades inserted comblike into one end of a short lath. In one, he's spaced the blades $\frac{1}{32}$ " apart, in another, $\frac{1}{16}$ ", and so on. He pulls the full-width splints through the blades to "rip" them into the narrow strips he'll use for uprights and weavers in the baskets.

"The stronger the basket, the heavier the material required," says Stephen about selecting the correct splints. "The Indians, in their style, used thinner material."

Each of the 200–250 Zeh baskets made every year begins the same way. First, Stephen selects the specific mold. Every style of basket has its own mold made of laminated pine that he has turned to shape on a lathe. The mold holds the uprights in the correct shape until the weaving with the dampened splints is completed.

There's also a mold for the "kick-up" or raised bottom, a Zeh trademark. According to Stephen, this feature distributes the basket's load. And, of course, it's at the

bottom that a basket begins.

Stephen weaves the tapered uprights together by crossing them like the spokes of a wheel and then anchoring them with a tightly pulled loop of fine splint. From the bottom, the basket slowly takes shape as the splints are woven under and over the uprights, as Tammy is doing in the photo *above left*. When the sides have been completed, he allows the basket to dry out for a couple of weeks. The drying also pulls the materials even more together.

Finally, he fits the dry basket with a hand-bent, solid ash rim, then binds it in place with the very toughest and smoothest splint that he can find. On all baskets with handles, Stephen locks the handle into place by means of notches that fit the rim. Only with the handle fitted tightly will he complete the binding, as shown in the photos *above*.

Brown ash baskets receive no finish, although their surfaces softly shimmer. Even the subtle differ-

ences in color between sapwood splints and heartwood splints become more evident in the completed work. But the ash gradually darkens somewhat and develops a beautiful patina as it ages.

Looking up from the beginning of another basket, Stephen comments, "I figure that overall, counting making and preparing the materials, it averages about 36 hours to make a basket. Even the tiny ones take lots of time because the materials always remain in scale—the smaller the basket the smaller the splints." Admiring the satiny material in his hands, then softly rubbing it, he adds, "After all this time, it's still hard to believe that all this comes out of a tree that I haul from the woods."

Get a basket brochure

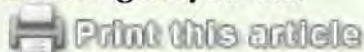
For an illustrated brochure and current price list, send \$2 (U.S.) to: Stephen Zeh, P.O. Box 381, Temple, ME 04984. Phone 207/778-2351. 🌲

Written by Peter J. Stephano Photographs: Steve Uzzell

A NEW LOOK AT AN OLD FOLK ART

WHITTILING

In this hurry-up, fast-paced world of ours, it's nice to know that some things never change. Take whittling, for example. People have been having fun with this simple type of woodworking for lots of years—and for lots of good reasons. It's relaxing, easy to do, and oh, so satisfying. Come on and give it a try. You'll be glad you did.



"Whittling is meaningless," Roald Tweet, *right*, maintains. And that's exactly what he loves about it.

A professor of English and composition at Augustana College in Rock Island, Illinois, he spends much of his day immersed in "meaning." To unwind, Roald picks up a stick and a knife, and makes chips. It's pure relaxation.

Nothing else in woodworking demands so little yet returns so much. A whittler isn't obligated to produce useful items—a little ornament or figure is enough. And a whittler doesn't need a shop or a workbench—a porch step works just fine. When you come down to it, all a whittler really needs are a knife, a piece of wood, and a little bit of free time.

Whittling off the woodpile

The wood Roald likes to whittle would be mere kindling to most people. He whittles what he finds—twigs and small branches.

"Since the growth rings are so close together in a small branch, the grain is dramatic," he explains. "Part of the fun, too, is that you discover the most interesting woods—woods you wouldn't ordinarily use."



Roald Tweet whittles a bird while visiting the *WOOD* magazine shop.

The whittling prof likes lilac for its subtle grain. And he enjoys cutting into magnolia and catalpa just because they're unusual. Actually, Roald will try anything. His favorite? Cherry.

Get yourself a sharp knife

Roald likes the long handle and short, stout blade of a standard bench-type carving knife for whittling. But any knife (even a pocketknife) with a sharp, sturdy blade and a handle that affords a good grip will do.

Don't use a dull knife. Accidents happen when you try to force a blunt blade through wood. As for handling the knife, anybody who has ever picked one up to do more than spread peanut butter probably knows the three basic whittling cuts instinctively.

- For rough-shaping, hold the stick in your left hand and the knife in your right (assuming you're right-handed), as shown in *Photo 1, opposite*. Push the knife downward and away from you, the way you did when you made pointed sticks as a kid.

- For finer shaping, make shorter cuts. Control the knife with your right hand, but push the blade with your left thumb as shown in *Photo 2*.

- For details or surface smoothing, switch to the paring cut shown in *Photo 3*. Place your right thumb at the top of the cut. Then, close your hand to pull the knife toward your thumb. Use this cut for maximum control.

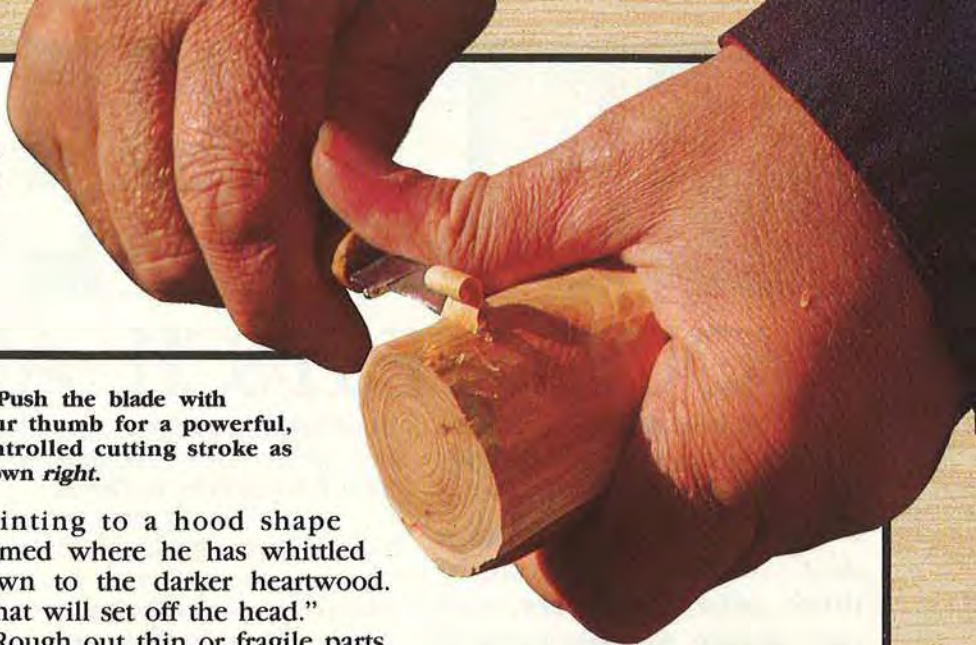
Birds, whimmydiddles, and lots more

Roald doesn't give much thought to what he'll whittle. As often as not, he makes a bird. (His birds, full-sized drawings shown *opposite page*, are well known around the Augustana campus.) But, it could just as easily be a letter opener, weed pot, spoon, chain, whimmydiddle, or toothpick.

A whimmydiddle? You've probably seen one. That's the folk toy with 8 or 10 notches whittled along a stick. A smaller twig nailed to one end like a propeller spins whenever someone rubs another stick along the notches.

Whatever you decide to whittle, keep it simple. Avoid highly detailed forms. "Whittling should be relaxing. Don't concentrate too much on it, and don't worry about a pattern. Sketch some simple guidelines, and then just follow the wood," Roald says as he rounds one end of a branch for the top of a bird's head. "See how the color changes here?" he asks,

WOODWORKING THAT'S STRICTLY FOR FUN



1. Pare away wood quickly for roughing with this basic whittling stroke.



3. Use the paring cut for smoothing the surface or whittling details. Let the workpiece shield your thumb.

2. Push the blade with your thumb for a powerful, controlled cutting stroke as shown *right*.

pointing to a hood shape formed where he has whittled down to the darker heartwood. "That will set off the head."

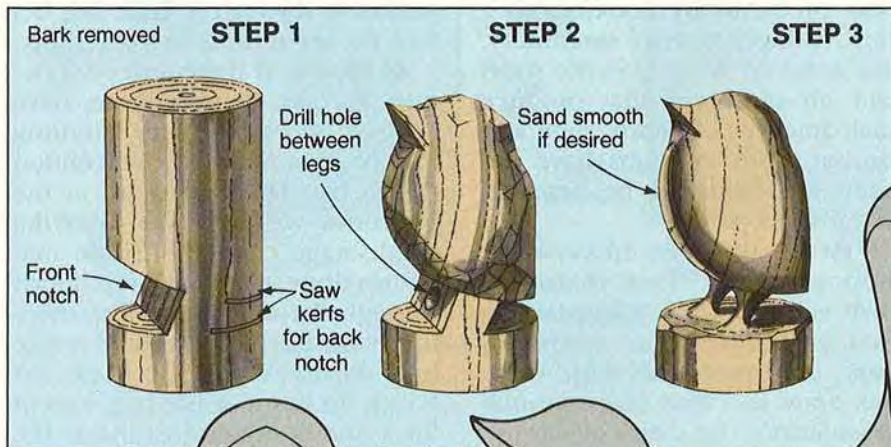
Rough out thin or fragile parts, such as a bird's legs, as you whittle, but save completing them for last. You can rely entirely on your knife or, like Roald, you can take advantage of other tools. He saws notches (shown *below, step 1*) and drills out wood (*step 2*) when forming legs for his birds, for example.

If you've whittled a keeper, burinish it by rubbing the surface with another piece of wood. (If

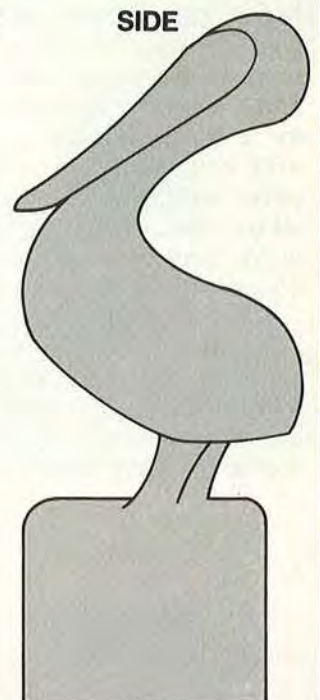
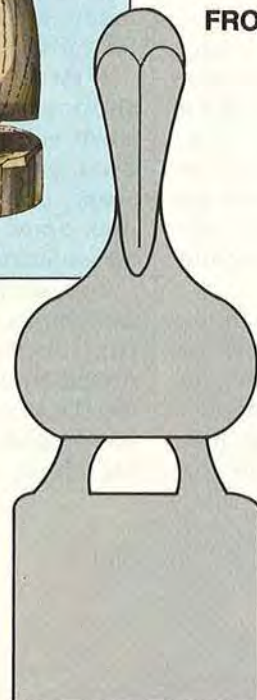
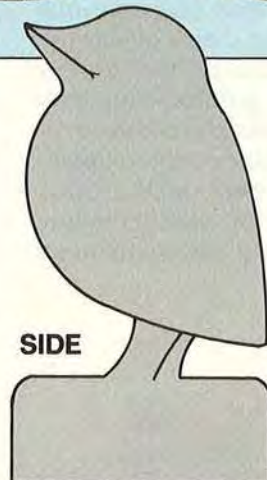
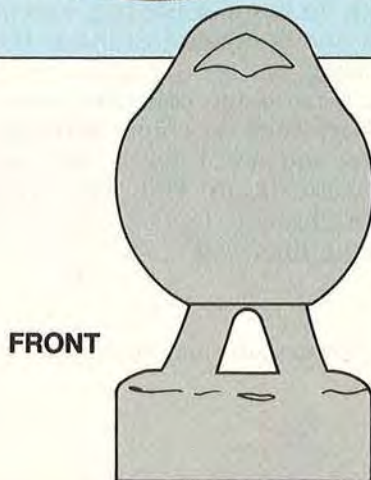
you prefer a smooth surface, sand it first.) Roald finishes his pieces with clear rubbing oil.

Otherwise, just remember this: There are no bad whittings, only small pieces of firewood. ♣

Written by Larry Johnston
Photographs: Kay Danielson
Illustrations: Mike Henry,
Jim Stevenson



FULL-SIZED PATTERNS



MEET THE DUST

WOOD® TESTS 11 AFFORDABLE

Show us a woodworker who doesn't have a problem with sawdust, and we'll show you a woodworker who owns a dust collector. With one of these debris gobblers, you can capture sawdust right at its source, before it has a chance to get into the air or spill onto the floor of your shop. To help you make a smart purchase, we tested 11 popular machines priced under \$500. Here's what we found out.

Note: If you're interested in hooking up a dust collector to a whole-shop dust-collection system, we show you how on pages 40-45 of the June 1991 issue of WOOD magazine.

How a dust collector helps you defeat debris

Dust collectors for the home workshop cost between \$250 and \$500, which may seem like a lot for a machine that doesn't saw, drill, rout, joint, or mill wood in other ways. But, after you add up all the little things that a dust collector does, you may find buying one money well spent.

Why? Because when you hook up a dust collector via pipes or hoses to the collection ports on woodworking machines, sawdust has little chance of getting into the air of your shop or onto the

floor. That saves you time cleaning up the mess, and makes the air a lot healthier to breathe.

Safety note: No dust collector captures the superfine particles that can cause harm to your respiratory system. So, even with an effective dust-collection system you still need to wear an approved dust mask.

Also, left uncollected, powdery sawdust will coat the floor of your shop, increasing your odds of slipping and falling. Plus the airborne particles can find their way into delicate machine, motor, and electrical components, causing premature breakdowns.

Some woodworkers try to lick these problems by hooking up a shop vacuum to their machinery. This solution works for the short haul on machines that produce small amounts of debris, such as a bandsaw. But vacuums have too many limitations to be practical for most shops.

First of all, even heavy-duty shop vacuums move relatively small volumes of air compared to dust collectors. For example, Sears' most-powerful shop vacuums draw less than half as much air as Sears' 1-hp dust collector.

Too, shop vacuums have 1¼" or 2½" hoses that quickly clog with the large wood shavings produced by machines such as planers. Dust collectors, on the other hand, seldom clog when moving big chips, relying on 4"-diameter

hoses and large volumes of air to do the job efficiently.

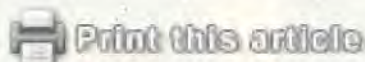
Finally, whereas shop vacuums have noisy universal motors intended for intermittent operation, most dust collectors have heavy-duty induction motors. These run much more quietly and are designed for long periods of continuous duty.

Inside a dust collector: it's dirty work

To move a large quantity of air and workshop debris, a dust collector has a centrifugal impeller that draws air from its center and expels the air toward the outside of its rapidly rotating fins. The impeller pulls debris-laden air through a pickup hose and pushes it through a filter bag before the air returns to your shop.

As shown in the cutaway drawings at *right*, manufacturers have devised two systems for handling this process. With the exception of the two Delta units, all of the machines we tested fall into the single-stage category. These machines draw all of the shop debris through the impeller before sending it to the filter bag and waste bag. Nearly every speck of dirt winds up in the waste bag, except for a fine lining of dust inside the filter bag.

In a two-stage collector, heavy particles such as chips, shavings, scraps, and metal debris, fall into the waste drum. Only fine dust passes through the impeller and into the filter bag.

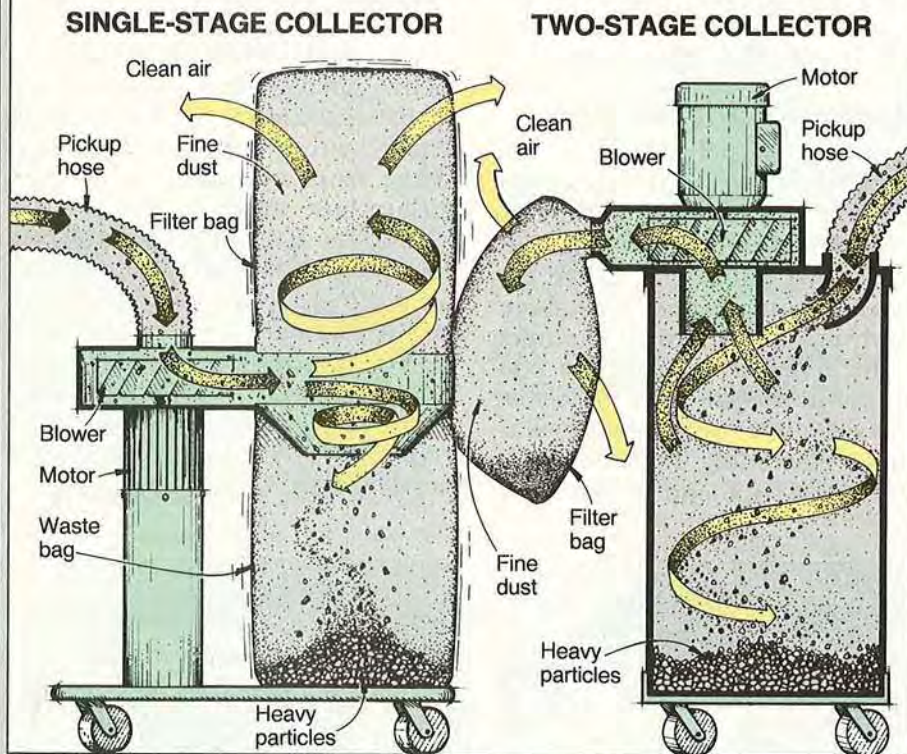


GUZZLERS

DUST COLLECTORS



AN INSIDE LOOK AT TWO TYPES OF DUST COLLECTORS



ADVANTAGES

- Easy waste-bag changes (you simply detach the waste bag and dump its contents into a trash bag or container).
- Dollar-for-dollar, you get more suction.

ADVANTAGES

- Impeller lasts longer because only fine dust particles pass through it.
- Nails, screws, and other metal debris cannot strike impeller or impeller housing and possibly create a hazardous spark.
- Less noise generated because large particles do not strike impeller or impeller housing.

Suction: The more, the better

Until now, you've had to depend on manufacturer's specifications when deciding which machine has more suction. There's just one problem: manufacturers do not have standardized procedures for measuring suction, so you can't reliably compare the ratings.

To solve this dilemma, we tested the machines for air velocity as measured in cubic feet of air moved per minute (cfm), and static pressure (sp) or the power of the dust collector to lift heavy particles. To obtain these measurements, we hooked each dust collector to an 8' length of 6"-diameter duct pipe and took readings with an air velometer as shown below.

Continued



DUST GUZZLERS

All of the machines generated adequate sp readings, but we found big differences in the cfm numbers. The Woodmaster 1033 and Grizzly G1029 were the only machines to draw more than 600 cfms. With these air guzzlers, you could collect from two or three machines simultaneously. Both machines require 220-volt service.

Any of the dust collectors with 300-or-more cfms should work with a home-workshop central-dust-collection system, provided you only keep one blast gate open at a time. All of these work on 110 volts; just remember to keep them on a separate circuit from your power tools to avoid overloading a circuit.

Note: Because of differences in testing procedures, our cfm ratings are lower than those specified by manufacturers. So, don't use our cfm ratings for comparison with machines not included in this article.

What you need to know about impeller systems

As you can see in the chart on page 47, impellers and impeller housings are made of steel, aluminum, or plastic. All of these materials have advantages.

Steel wears well under the abrasive action of dust particles, but it can spark if a metal scrap or fastener accidentally gets sucked into the collector. Although aluminum will not spark, it will wear more quickly.

Only one of the machines we tested—the Shopsmith DC3300—has a plastic fan and impeller housing. Like aluminum, plastic will not spark, but it will wear faster than steel or aluminum.

Motors: look for one that's protected from dust

By its very nature, a dust collector becomes a magnet for all the dust

in your shop. Since dust can harm the windings, centrifugal switches, and other components inside a dust collector's motor, it makes sense to buy a machine with a totally enclosed, fan-cooled motor, such as the one shown *below left*. These sealed power plants have fans mounted on the end of the motor to cool the motor housing. Open, drip-proof motors, like the one *below right*, draw shop air—dust and all—directly through the motor for cooling. ("Drip-proof" means these motors are protected from overhead dripping water.)

Impeller-housing inlets: a matter of safety

The fins of a rapidly spinning dust-collector impeller will do serious damage to any hand that gets drawn into them, so we applaud manufacturers that have taken measures to guard the inlet to the impeller housing. As you can see in the photo at *right, top*, many of the single-stage machines—including the Grizzly, Jet, Penn State DC2, and Woodmaster

dust collectors—have no protection over the inlet. If you already own, or plan to purchase such a machine, you should clamp a hose or pipe onto the inlet and leave it there permanently.

In answer to this potential hazard, the Sears and Powermatic machines have permanently attached housings that extend from the impeller-housing inlet to a hose-attachment port near the base of the machine. This design effectively eliminates the possibility of an accident.

The Makita 410 also has an effective safety system. As shown at *right, middle*, a spring-loaded safety switch prevents the machine from operating with the pickup hose disconnected.

Officials at Penn State attempted to correct this potential hazard by placing a grate over the inlet on their model DC3 (see photo at *right, bottom*), but this only works for fine-dust pickup. For applications other than sanding, you need to remove the grate to prevent clogging.



Totally enclosed, fan-cooled motors have a fan on the end of the motor and beneath a protective housing.

Open, drip-proof motors cool by allowing shop air to pass directly through them.





The Grizzly, Jet, Penn State DC2, and Woodmaster units have no physical barrier to the impeller-housing inlet.



The Makita 410 has a safety switch which turns the machine off when you disconnect the pickup hose.



The Penn State DC3 has a grate covering the impeller-housing inlet, but it clogs when handling debris larger than fine sanding dust. You can easily remove the grate, but doing so leaves no protection over the opening.



A sewn-in hoop on the Sears 29978 waste bag forms a good seal and helps you quickly change the bag.



We like the quick-release metal band that holds the filter bag securely in place on the Sears 29978.



Two locking pins hold the single bag of the Makita 410 securely in place, and help make for quick disconnects.



The nylon straps on the Grizzly G1029 work conveniently, but need to be snugged up from time to time.

Bag changing: it should be a hassle-free experience

A dust-collector's waste bag can fill up in no time when you're making a lot of chips, so you'll appreciate a bag that changes easily. Two machines in our test—the Sears 29978 and Makita 410—distinguished themselves in this area.

The Sears machine has a flexible metal hoop sewn into the top of its waste bag. To remove or replace the bag, you flex the round hoop as shown *top left*. With the hoop nestled in its holder, the air pressure inside the bag, and the weight of its contents, hold the bag securely in place.

To secure the Sears' filter bag, you simply pull on the quick-release metal band as shown *top right*. The Powermatic 073 employs the same system, but we struggled to pry the latch of its undersized band into place. Mark Seymour of Powermatic told us he is aware of the problem, and will consider using

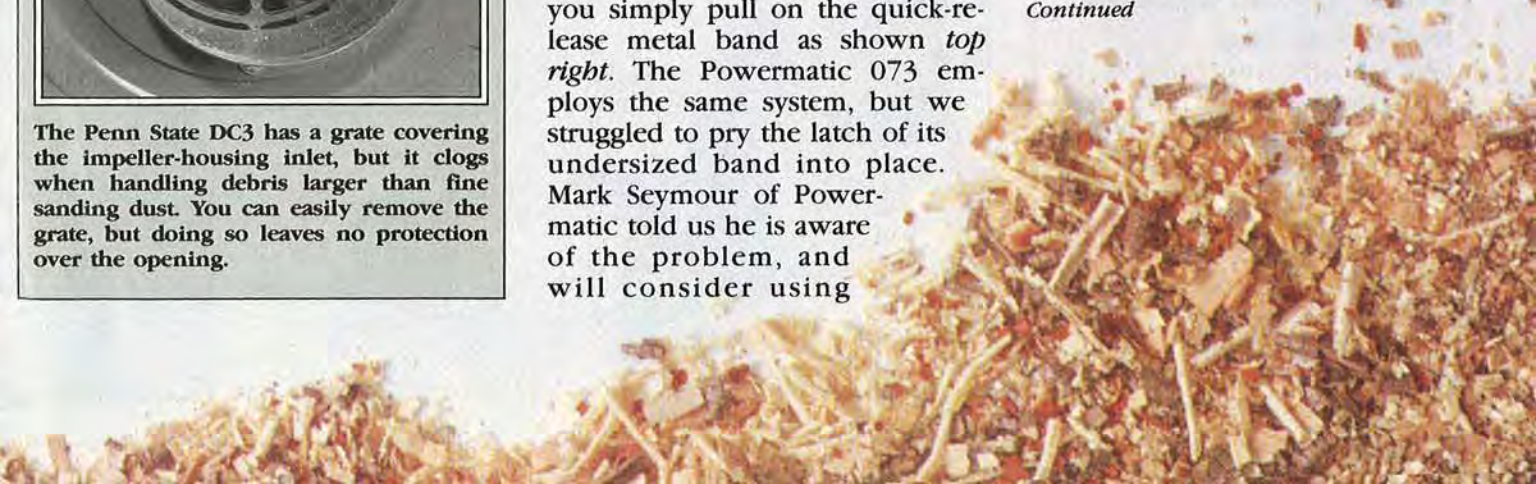
larger bands in the future.

Most of the other machines in our test have hose-clamp bands that you tighten with a screwdriver or nutdriver. These work fine, although not quite as fast.

The single waste bag on the Makita has two small pins as shown *above left*, that lock the bag to the impeller-housing outlet. This makes emptying quick, simple, and effective.

To secure the bags on the Grizzly G1029, you tug on a nylon strap as shown *above right*. This proves easy enough, but the straps tend to loosen over time, and once in a great while the filter or waste bag blows off.

Continued



DUST GUZZLERS

Bag filtration: a tight weave traps more particles

Three of our tested models—the Penn State DC3, Powermatic 073, and Woodmaster 1033—had loosely woven filter bags that allowed visible dust to pass through them, as shown in the photo below. We asked the manufacturers about this problem and received a variety of responses.



We backlit the filter bag on the Powermatic 073 to show its leakage of visible dust particles.

Ed Levy of Penn State told us his company recognizes the problem and plans to offer an optional bag with a tighter weave. Mark Seymour of Powermatic said he wasn't aware of the problem, but he would look into it. John Miller of Woodmaster gave us the most encouraging news.

"We'll change it immediately," Miller told us. "We'll switch to a tightly woven bag; I don't think it will increase the cost of the unit." We later tested Woodmaster's new bag—it worked well.

What you can do about leaky filter bags

Good-quality dust-collector filtration bags have a sturdy, tightly woven polyester fabric for trapping visible dust. You can custom-order such a bag for most home-workshop dust collectors for \$30–\$40. For a price quote, contact:

Murphy-Rodgers
2301 Belgrave Ave.
Huntington Park, CA 90255
Call: 213/587-4118

Noise: Here's some sound advice

Generally, the more air that a dust collector moves, the more noise it will make. But as you can see in the chart at right, a few machines actually moved more air than their counterparts while generating less noise. The Makita 410 was by far the noisiest machine in our test. Unless you wear hearing protection, the Makita's whiney universal motor will hurt your ears.

Mobility: a consideration if you're on the go

In the chart at right, we rate the machines according to how easily they move from spot to spot. The Makita 410 and Penn State DC2 earned "excellent" ratings because of their portability. You can haul these from place to place without difficulty, and store them in a small area. But, as you can see in the "size" category of the chart, these two units take up a lot of floor space once turned on.

Which one should you buy?

If you're looking for maximum suction for the dollar, you can't top the Grizzly G1029 or Woodmaster 1033. The Woodmaster had the highest-quality motor, impeller, and impeller housing of the machines we tested.

Among the 1- and 1½-hp models, we had a tough time picking a



By opening a blast gate on the Powermatic 073, you can use the machine as a mobile floor sweep.

winner, but we give a slight edge to the Sears 29978 because of its easy bag changes and safety features. For about \$100 more, the Powermatic 073 gives you more suction and a unique floor-sweep feature. As shown above, you can divert the suction to the floor by opening a blast gate that's located below the pickup-hose inlets. But, if you buy this machine, you'll need a new filter bag and strap.

If you have safety and quiet operation at the top of your shopping list, give the two Delta models a serious look. Although these units delivered less suction than most similarly priced machines, their two-stage design gives them advantages that the competition can't touch. And, these units have loads of storage capacity: 55 gallons for the model 50-180 and 35 gallons for the model 50-179.

Written by Bill Krier
Technical consultant: George Granseth
Photographs: John Hetherington
Illustrations: Bill Zaun



CLEARING THE AIR ON 11 POPULAR DUST COLLECTORS

MANUFACTURER	MODEL	IMPELLER			MOTOR		PERFORMANCE EVALUATION (11)										ACCESSORIES (12)		WEIGHT (LBS.)	COUNTRY OF ASSEMBLY (13)	LIST PRICE	SELLING PRICE (14)	
		IMPELLER MATERIAL (1)	HOUSING MATERIAL (1)	INLET DIAMETER (INCHES)	TYPE (2)	HORSEPOWER (3)	VOLTS	SIZE (4) H×W×L (INCHES)	NOISE (DECIBELS) (5)	AIR VELOCITY (CFM) (6)	MAXIMUM STATIC PRESSURE (7)	BAG FILTRATION (8)	BAG CHANGING (8)	DUST LEAKAGE (8)	FIT AND FINISH	HOSE QUALITY (9)	MOBILITY (10)	STANDARD					OPTIONAL
DELTA	50-179	CA	SS	4	ODP	¾	110/220	41X28X38	78	261	6.2	G	G	G	G	F	G	H	*	53	U	\$424	\$345
DELTA	50-180	CA	SS	5	TEFC	1	110/220	45X35X52	82	521	6.7	E	G	E	G	F	G	H	D, C, *	72	U	537	440
GRIZZLY	G1029	SP	SS	1@5" or 2@4"	TEFC	2	220	76X20X35	84	689	8.9	G	G	G	G	*	G	-	H, A(4"-3"), *	180	T	295	295*
JET	DC-650	SP	SS	4	TEFC	1	110	56X14X26	81	428	6.6	G	G	*	F	*	G	-	-	84	T	285	230
MAKITA	410	SP	SS	2 13/16"	U	*	110	30X24X48	92	221	10-plus*	E	E	E	E	E	E	H	A(4"-2 13/16"), *	20	J	505	298
PENN STATE	DC3	SP	SS	4	TEFC	1½	110/220	17X19X45	82	375	6.4	F	F	F	G	P	E	H, A(4"-3"), A(4"-2")	-	46	T	210	210*
PENN STATE	DC2	SP	SS	2@4"	TEFC	1½	110/220	75X19X38	77	287	7.1	G	G	F	F	P	F	H, A(4"-3"), A(2@4"-2")	-	120	T	300	300*
POWERMATIC	073	SP	SS	1@6" or 3@4"	TEFC	1½	110/220	73X16X32	87	468	8.7	P	P	E	E	*	G	-	A(4"-3"), A(4"-2½"), DB	125	T	400	400
SEARS	29978	SP	SS	4	TEFC	1	110	60X15X27	85	318	6.4	G	E	E	E	E	G	H, A(4"-2½")	*	69	T	300	300
SHOPSMITH	DC3300	P	P	1@4" or 3@2½"	ODP	½	110	48X21X26	79	120	6.8	G	F	E	E	G	G	H(2), EW, A(2½"-1¼"), DB(6), PU	BG, LF	64	U	459	459
WOODMASTER	1033	CA	CA	6	TEFC	3	220	72X24X44	85	795	9.4	E	F	G	G	*	*	-	H, *	140	U	499	499*

- (CA) Cast aluminum
(P) Plastic
(SP) Steel plate
(SS) Stamped steel

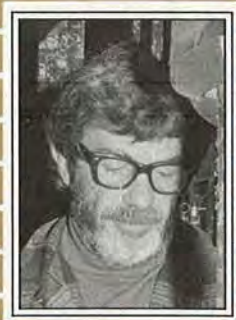
- (ODP) Open, drip-proof induction motor
(TEFC) Totally enclosed, fan-cooled induction motor
(U) Universal motor
- (*) 9 amps, no hp-rating available
- Measured with machine turned on. With bags deflated, the Makita 410 measures 11X11X11", and the Penn State DC3 measures 17X18X18". The Woodmaster was measured with a 55-gallon drum beside it.
- Measured at a distance of 6 feet. No debris passing through impeller.
- Cubic feet of air per minute (CFM) through a 6"-diameter pipe.
- Measured in column inches of water. *Makita 410 registered beyond our scale.

- *Jet DC-650 has no grade in this area because manufacturer was in process of improving the machine as article was produced.
- *These machines do not come with a hose.
- Woodmaster machine is not designed to be mobile. To mobilize it, you need to build a wheeled platform for supporting the blower and drum.

- | | |
|---|-----------|
| E | Excellent |
| G | Good |
| F | Fair |
| P | Poor |

- (A) Adapters
(BG) Blast gate
(C) Casters
(D) Drum
(DB) Plastic dust bags
(EW) Extension wands
(H) Hose
(LF) Large filter hood
(PU) Dust-pickup attachments
*You can purchase a variety of accessories for adapting this dust collector to woodworking machines offered by the manufacturer.
- (J) Japan
(T) Taiwan
(U) United States
- Selling prices based on catalogs, advertisements, and dealer inquiries at time of article's writing.
*Price does not include shipping.





Art Carpenter

ART CARPENTER'S LINSEED-

While many admire the one-of-a-kind furniture pieces built by California designer-craftsman Art Carpenter, an equal number praise his favorite finish. We asked Art to reveal the details of his great-looking, easily maintained finish so that you, too, can get similar results.



Print this article

Darn few people can boast of being a professional woodworker since 1948, but furnituremaker Art Carpenter of Bolinas, California, can. And over the years, he has worked with a lot of finishes. What's his favorite? A clear oil that has the added resins of varnish. He calls it "LTV."

"This finish penetrates the wood; it's not just sitting on top of it," Art explains. "It's not as hard a finish as lacquer or plain varnish, but you can repair it easily by sanding a spot out and finishing just that area. I've taken out nicks and scratches from furniture that I made for clients 30 years ago. It's a woody finish, too.

You're almost in contact with the wood without anything artificial between you."

Art's three-part formula

Art's finish calls for equal parts of three ingredients: linseed (or tung) oil, turpentine, and varnish (that's LTV). According to him, you can vary the formula. "I know some woodworkers who use polyurethane varnish with it, or mix in beeswax, but I usually don't," Art says. "And one of the reasons I use traditional varnish rather than polyurethane is that I am more comfortable with its feel, odor, and perhaps lower toxicity."

Art also recommends buying a less expensive interior varnish rather than an exterior spar varnish with costly ultraviolet-light blockers. Interior varnish has all the resins needed. And he prefers using linseed oil in the mix. "It's half the price of tung and available everywhere," he adds.

Project preparation makes a difference

The secret to success with Art's three-part finish doesn't depend solely on the ingredients. There are a few tricks in the surface preparation, too.

To fill the wood grain, Art Carpenter wet-sands each application of his finish. The result is a gleaming, real-wood look.

TURPENTINE-VARNISH



"First, always wipe down the wood with a damp rag," advises Art, who rarely stains his projects. "Let the wood dry, then fine-sand with 220-grit, 320-grit, or finer. Wetting the wood raises the grain hairs so you can sand them off for a super-smooth surface. But it has another purpose. Later, when you get the finish on, should you happen to spill water on the finish before it cures, the water won't raise the grain *underneath* your finish, leaving dull spots."

Before Art applies the finish, he follows another necessary step, particularly on soft or more porous woods. "I spread on a 'sealer' coat of WATCO Danish Oil, or another polymerizing oil, such as Behlen's Danish Oil, and let it dry for 24 hours. I do that because polymerizing oil dries anaerobically, meaning without oxygen. Linseed or tung oil—part of my finishing mixture—requires oxygen to dry. If I were to put my mixture on first, it could penetrate deep into the wood and never really dry because it couldn't get oxygen. Then, when the furniture was in sunlight, small bubbles of oil would rise to the surface and harden into beads. The WATCO blocks deep penetration."

Building a finish one coat at a time

How many coats of his three-part finish does Art put on a project? "A horizontal surface, such as a tabletop, requires many coats because it takes more abuse than a vertical one, like a chair leg," Art comments. "So, I'll put 12 to 15 coats on a tabletop, five to seven on a chair."

The method of application also differs with the project being finished. For a chair, brush coats

will do. But a tabletop requires flow. "I just pour it on," says Art, "and spread the mixture around with my hands." (Note: Wear gloves, or spread with a brush.) He adds that an integral part of the process is sanding the wood while each coat is still wet. "This pushes the oil and wood dust into the pores, thereby leveling an otherwise microscopically pitted surface. And, the wet-sanding means you don't have to worry about dust—it goes in the pores, too."

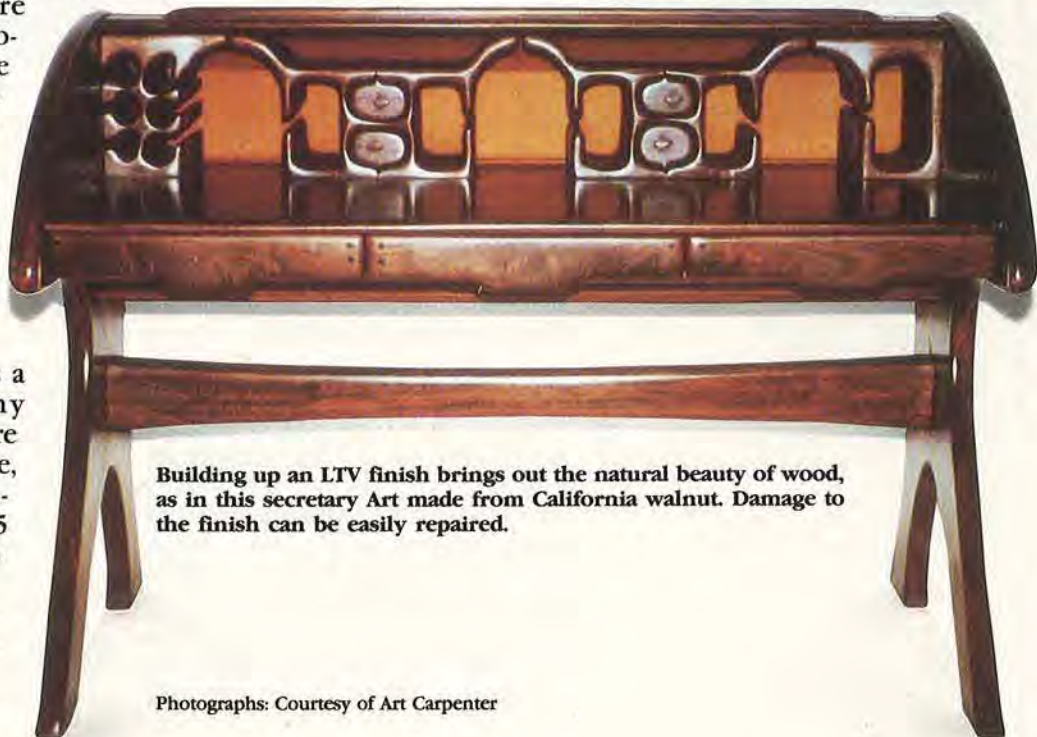
"Sand with wet/dry paper of the finest grit you used to prepare the unfinished wood," notes the craftsman. "Then, wipe the surface *thoroughly* with a soft cloth. If you don't, you're going to have a gummy mess. Let each coat dry for 24 hours or more before repeating the application. What you want is ultrathin coats that gradually fill the grain."

After Art has laid down and wet-sanded the last coat, he leaves the work to dry and cure for 30 days. "If a customer wants to take the piece home, I tell him to use

it carefully for a month, and during that time," he warns, "be sure to wipe off any spilled liquids. But when it has cured, even bourbon won't hurt it."

Art likes to rub down the cured finish of a large surface with no. 0000 gray Scotch-brite pads. According to him, a last rubdown evens out any reflective high spots. Art prefers Scotch-brite pads to steel wool for two reasons. "Steel wool leaves metallic particles in the grain that can show up as black spots in the finish," he says. "Scotch-brite doesn't leave a residue. Steel wool also tends to dig out the fill that you have so carefully worked in."

Art's LTV finish gets better with time, too. He says, "Just clean the surface when needed with warm water and detergent, making sure to rinse with a dampened cloth. Then wipe on a small amount of LTV every six months or so to keep building it. But never use lemon oil or wax on the piece because you'll kill any possibility of building the finish." ♣

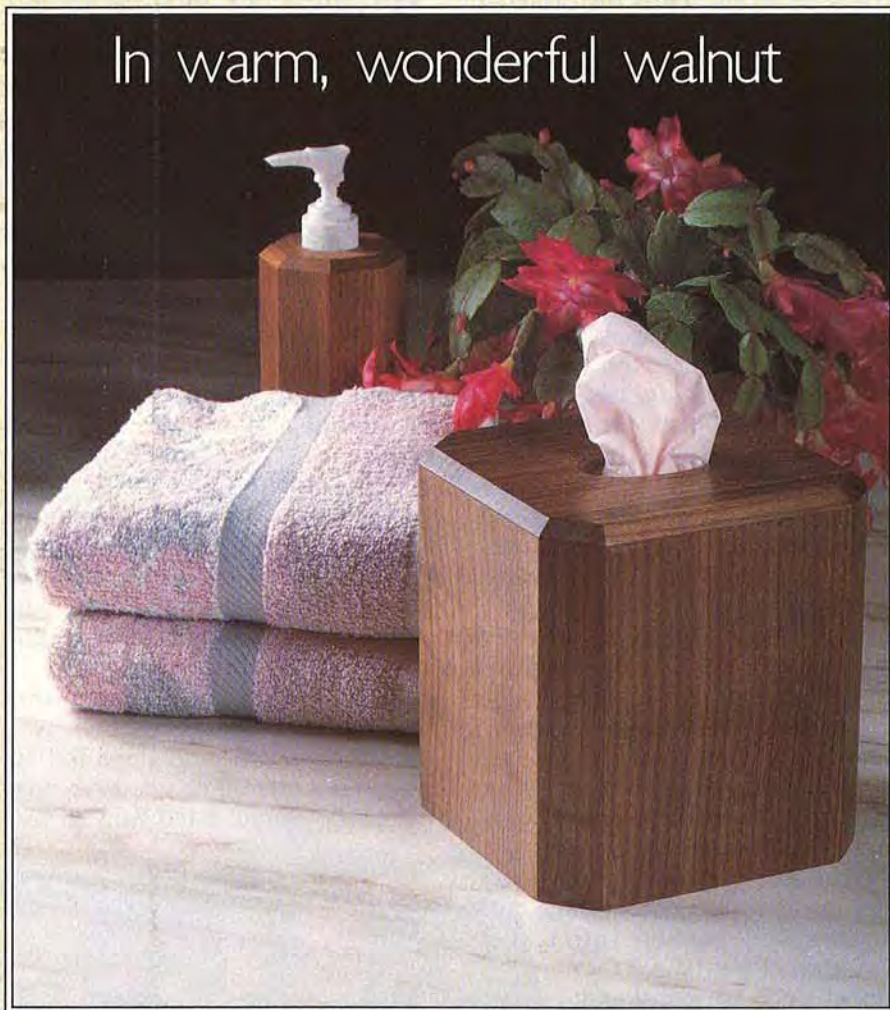


Building up an LTV finish brings out the natural beauty of wood, as in this secretary Art made from California walnut. Damage to the finish can be easily repaired.

Photographs: Courtesy of Art Carpenter

CLASSY TISSUE

In warm, wonderful walnut



Bring the warmth of wood to your countertop or dressing table with this lovely walnut tissue box. We've designed this easy-to-build cover-up to match the lotion dispenser featured in the October 1991 Craft Shop section.

 Print this article

You'll need 1/4"-thick walnut stock for this project; plane or resaw thicker material. (Note: we designed the cover to fit over a boutique-size tissue box.)

Cut a 6" square from 1/4" stock for the top (A). Then, tilt your table-saw blade for a 22 1/2° cut. Bevel-rip both edges of two 12" lengths of 1/4" stock to 4 1/8" wide and two more lengths to 1". (We verified the saw settings first by making test cuts on scrapwood.)

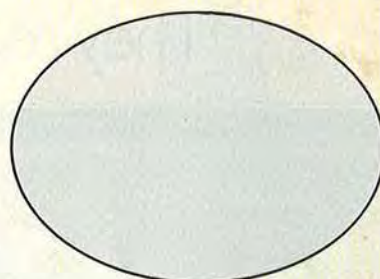
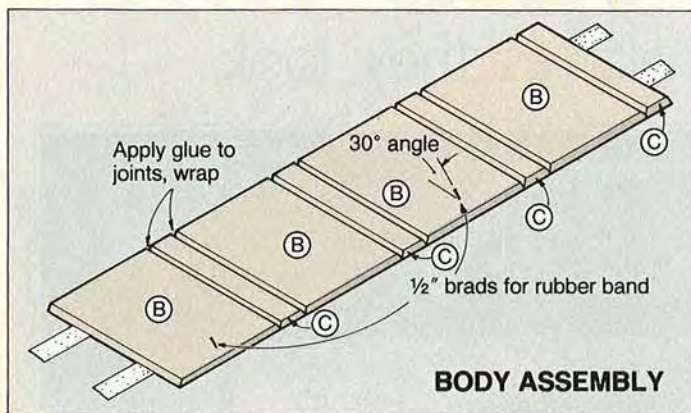
Now, reset the saw to 0°. Cross-cut four 5 3/4"-long pieces from the wide stock for the sides (B) and

four the same length from the 1" material for the corners (C).

On your workbench, lay out alternating sides (B) and corners (C), beveled edges down. Align the ends, and tape the pieces together with masking tape or filament tape. Turn the assembly over, and drive a small brad into each of two opposite sides at a 30° angle about 1" from the bottom, where shown in the Body Assembly drawing.

Roll the taped pieces to form the body, checking all joints for a tight, accurate fit. Unroll them, apply woodworker's glue to the

BOX COVER-UP



FULL-SIZED PATTERN FOR TOP HOLE

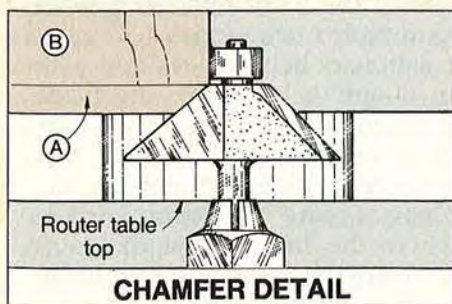
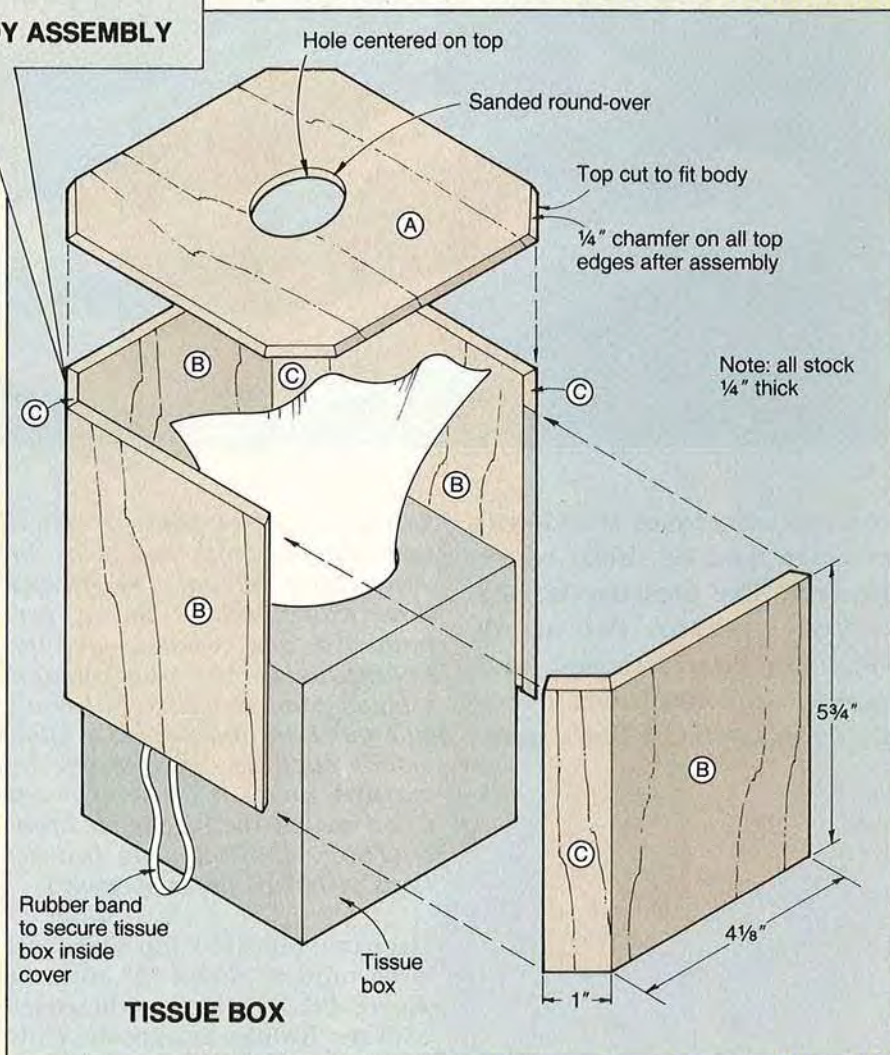
open joints, and then roll them up again. Secure with additional tape until the glue dries.

With the top piece (A) upside down on your bench, place the glued-up body into position and trace the body outline onto the top. Then, trace the oval pattern onto the center of the top.

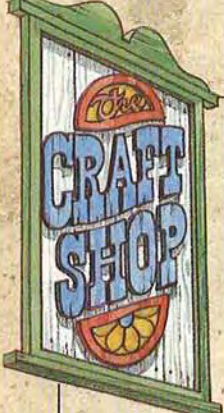
Drill a 1/8" blade start hole, and cut out the oval with your scroll-saw. Sand round-overs around the opening on both sides. Glue and clamp the top into place.

Install a piloted 45° chamfer bit in a table-mounted router. Then, rout a 1/4" chamfer around the edge of the top as shown in the Chamfer detail.

Sand, and then put on a clear, durable finish (we applied satin-finish polyurethane). Insert the tissue box, and stretch a rubber band between the two brads to hold it in place. 🌲



Project Design: Larry Johnston
 Illustrations: Mike Henry; Bill Zaun
 Photograph: John Hetherington




FUN-TO-FASHION LETTER OPENERS

They're as sharp as they look



Anyone who loves wood will treasure one of these letter openers. The pleasure begins as you fashion the sleek shape on your bandsaw and sander, and continues every time you open the day's mail.

 [Print this article](#)

Select a special piece of wood with striking grain and color for your letter opener. We picked three exotic woods—cocobolo, pernambuco, and bocote—for the examples in the photograph (shown front to back). But don't rule out beautiful domestic hardwoods such as curly maple or walnut burl. A close-grained wood makes the best letter opener. (Note: The following instructions yield two letter openers.)

Trace two full-sized Top View patterns onto a 2×2×12" turning square. Place them near the edges with the handles at opposite ends of the turning square.

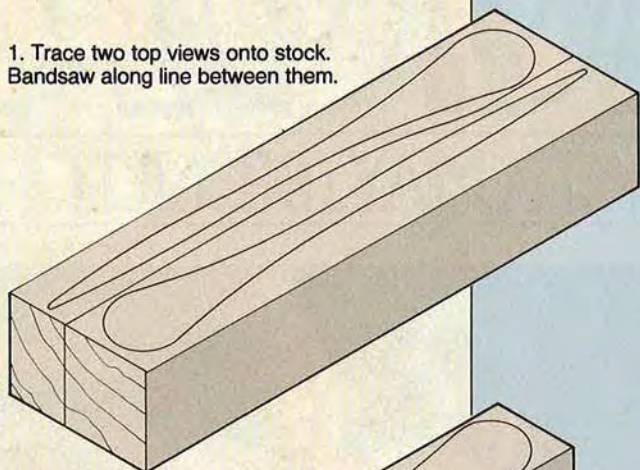
Then, bandsaw between the two patterns where shown by the Laying Out The Blanks drawing. With the two pieces separated,

draw the side-view pattern onto the bandsawed side of each. (Be sure to align the ends of the Top View and Side View patterns.)

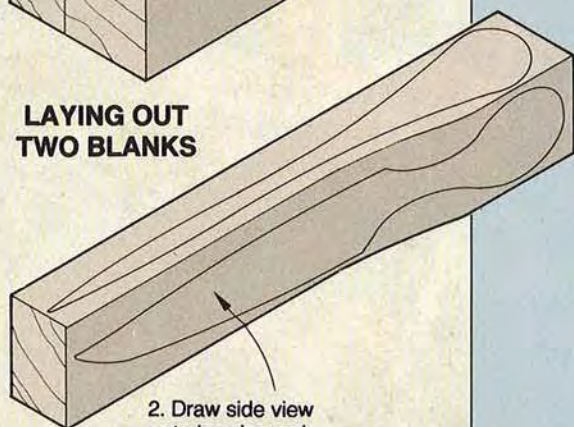
Then, bandsaw around the Side View pattern line on each part. After cutting, tape each cutout and its waste parts back together with masking tape to re-form the pieces. Bandsaw around each Top View line to complete the blanks. Remove the tape and waste.

Sand the letter openers to final form with a belt sander. (We used a stationary belt sander fitted with an 80-grit belt.) Shape the blade and handle as shown on the Side View cross sections on the pattern, sharpening both edges of the blade. Create a flowing surface where the bulblike handle joins the blade. Blunt the tip slightly after forming the blade.

1. Trace two top views onto stock. Bandsaw along line between them.



LAYING OUT TWO BLANKS



2. Draw side view onto bandsawed edge of each piece. (Only one shown.)

With the shaping complete, continue sanding with progressively finer grits through 400. After sanding, burnish the surface by rubbing it with another piece of wood. (We then buffed our letter openers on a muslin wheel with white polishing rouge to achieve a high sheen.) Finally, apply a clear finish such as Watco Natural Danish Oil.

Buying Guide

Exotic woods. Bocote, cocobolo, and pernambuco, 2×2×12" turning square, \$15 each or three for \$30, ppd. in U.S.; your choice, mix or match, Woodworkers Source, 5402 S. 40th St., Phoenix, AZ 85040. Call 800/423-2450. 🌲

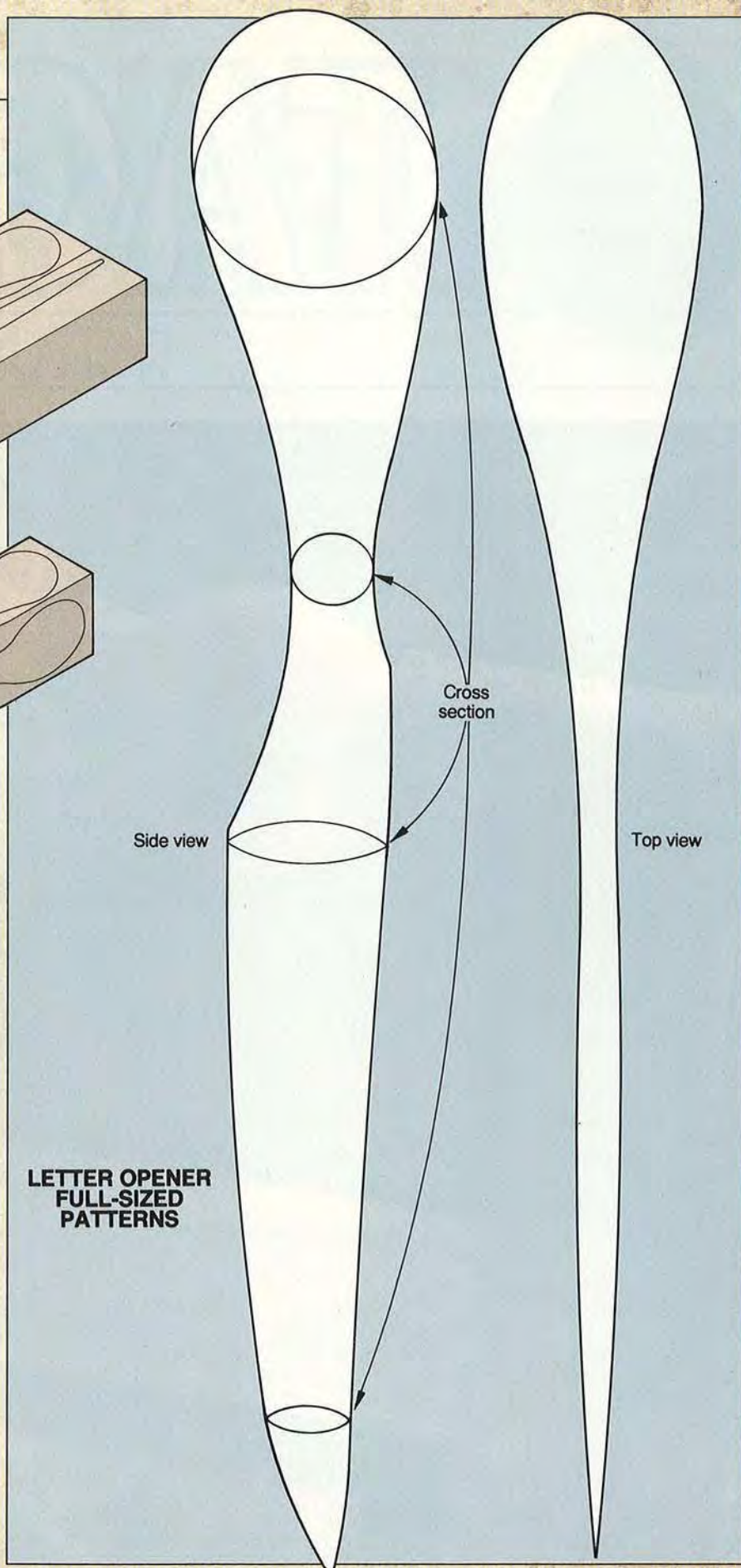
Project Design: Deborah Doyle
Photograph: John Hetherington
Illustrations: Mike Henry

LETTER OPENER FULL-SIZED PATTERNS

Side view

Cross section

Top view

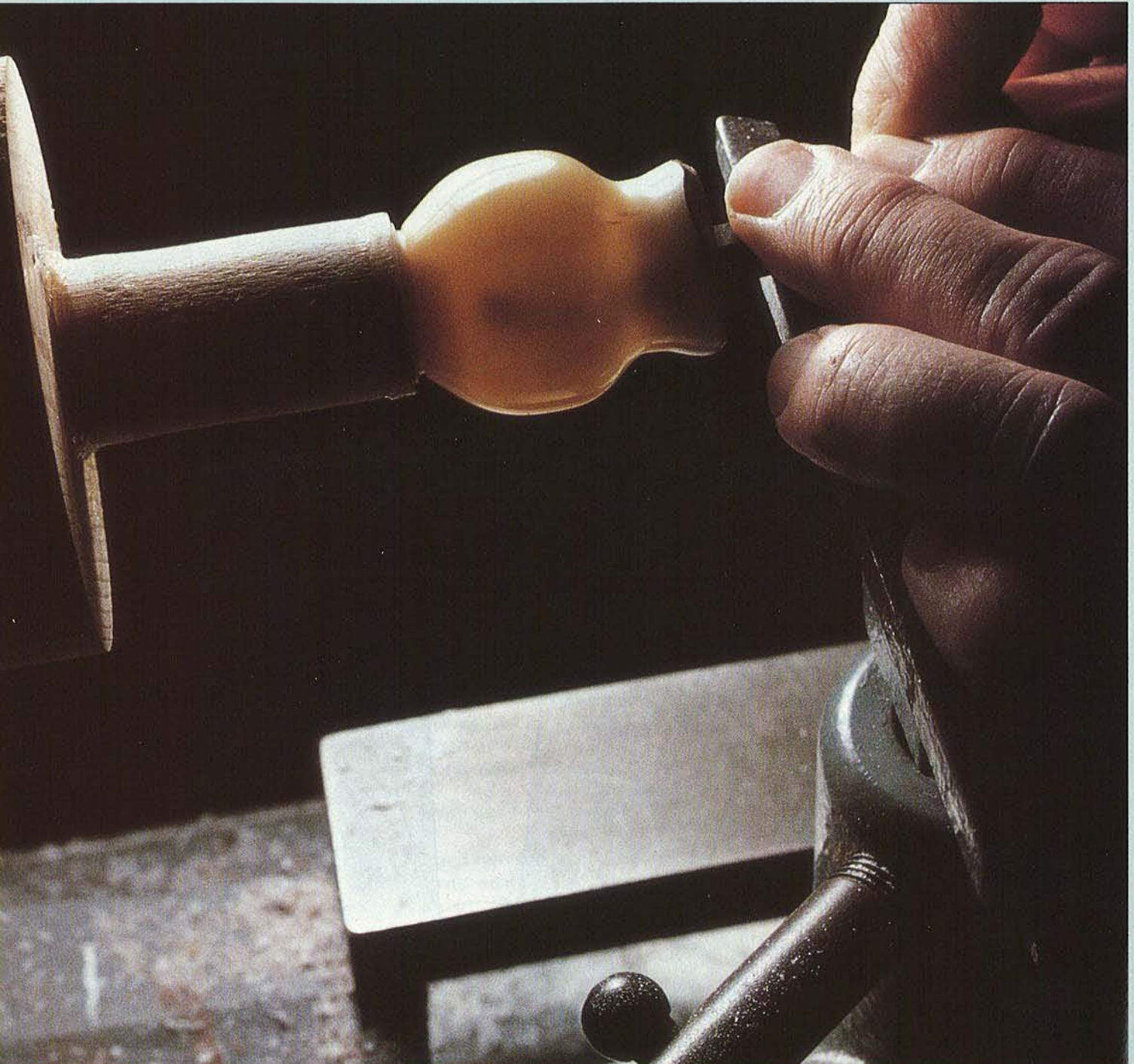




TAGUUA

 Print this article

IT MAY BE NUTTY,



TURNING



BUT YOU'LL LOVE IT

The tagua nut's odd shape, mottled brown covering, and small size disguise an intriguing material for the woodturner—vegetable ivory. It turns like hardwood, but its smooth, creamy appearance more closely resembles a piece of elephant ivory. Here's what you need to know to embark on this new adventure with a material that's over a century old.

The Victorians' favorite button material has returned as one of turning's newest treats: the tagua (TAH wa) nut. This kernel from certain South American palm trees doesn't look like much, but you'll find lustrous vegetable ivory inside that plain brown wrapper.

The preplastic world had a healthy appetite for vegetable ivory. Every year from about 1860, factories here and abroad turned, milled, or sawed millions of the then-newfound nuts into buttons.

Victorian-era manufacturers turned out such things as pin-cushions, thimbles, and tape measures, too. Some even threaded nuts together to make more elaborate items. Needle cases often incorporated two or three nuts.

Plastics pushed tagua out of the marketplace during the 1930's. But, today, because the nuts fit right into rain forest protection schemes as a marketable, sustainable resource, there's new interest in them. (Several garment makers now use tagua buttons.)

Continued

Tools for tagua turning

Set your long and strong gouge aside. You're going to need something smaller to turn tagua nuts. You can round down the nut with a 1/4" spindle gouge, but don't count on standard tools for any inside work.

California tagua-turner Chuck Luebbers often relies on dental tools (ask your dentist for some or see the Buying Guide on page 57). "Grind the end to a shape you like," he advises, "but do it slowly so you don't burn the steel." Scraper styles work best. He likes to add a handle, such as the one shown below to hooked dental tools.

Sometimes, he makes his own tools. "It's not that hard to do," he says. "All you need is a grinder." He starts with W1 water-hardenable tool steel, available as round or square stock from most steel jobbers.

"The steel is soft so I just grind it to the profile I want," Chuck says. Then, he hardens and tempers the tool.

To harden W1 steel, heat it with a propane torch until cherry red (about 1,450 degrees F) and then quench it in a bucket of cold water. Polish it with 400-grit sandpaper so you'll be able to see the color change as you heat the tool for tempering.

Place the tool on a piece of thin sheet metal, and then heat to a straw color (650-700 degrees F) over a stove burner or torch. Don't heat it with a direct flame for this step. Let it air-cool, and then add a handle to your custom-made turning tool.



Reground dental scalers are just the ticket for reaching inside tagua turnings. Single-ended ones are best.



A practical assortment of tools for turning tagua nuts includes dental tools (note the ball-end handle added to one to give firm grip), an old screwdriver ground into a scraper, and a shop-made scraper.

TAGUA TURNING

Turners go nuts for a challenge

Woodturners anxious for novel experiences have taken an interest in the tagua nut, too. Long-time woodworker Chuck Luebbers of San Diego, California, shown *below*, is one. He first encountered the tropical nut at a turning seminar a few years ago. "Since then, I've been fascinated by the challenge of working with an object that is round on one side and flat on the others," Chuck says.

That odd shape and the nut's small size (1½–2" long) are the

first characteristics a woodturner notices. There's another that might show up as the turning gets underway—a crack inside.

Since the nut is a tree seed, nature provides space inside for germination. A nib at one end leads to a fissure, which can be any size from barely perceptible to cavernous (relatively speaking, anyhow). In some instances the fissure will spoil your turning—that's part of the challenge.

Otherwise, you'll feel right at home with a tagua nut on the lathe. "The nut turns about the

same as a hardwood such as rosewood or cocobolo," Chuck says. "Since there is no unpredictable grain," he adds, "it may even be easier." The hard, dense ivory is brittle, though, and can chip.

Select a shape, then prepare the nut for turning

Before you mount the nut on the lathe, consider the shape of the planned turning. To turn a wide bowl or ornament, make the large, rounded side the bottom. For a goblet or a spindle, use an end. When you've determined the bottom, sand a flat spot about 1" in diameter on it.

Now, if you have a lathe chuck, grip a length of 1" dowel in it, letting 2–3" extend beyond the face. If you don't have a chuck, turn a 1" hole in the center of a scrap-wood auxiliary faceplate, and glue a length of dowel into it. Again, let the dowel extend at least 2" past the face.

Turn a true surface on the end of the dowel, and then, glue the nut to it with cyanoacrylate adhesive (instant glue), as shown *left*. The gap-filling variety works best. Cover the flat spot on the nut with adhesive. Spray some accelerator (available from woodworking stores and hobby shops) onto it, and quickly join the two surfaces. Hold them together for a few seconds until they bond.

Keep the glue handy as you work. You can fill a crack by packing it with turning dust, then soaking it with glue. (We found it useful to have it close by, too, when we dislodged the nut and had to reglue it several times as we tried our first few turnings.)

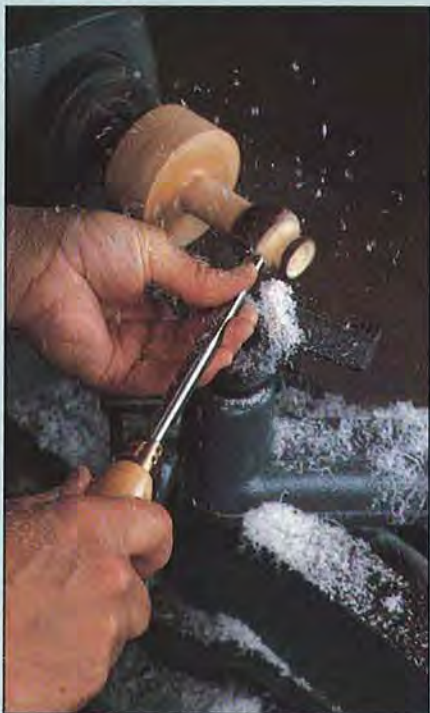
Before starting the lathe, inspect the tool rest. If it's nicked, file it smooth—a dental pick will drop into a notch that a standard turning tool would slide right over. Set the tool rest at the centerline of the turning, and rotate the chuck or faceplate by hand one full turn to ensure that the lopsided nut clears it.



Chuck Luebbers shapes a vegetable ivory vessel. He runs the lathe at 2,000 rpm when turning tagua nuts.



A dowel and an auxiliary faceplate provide a simple, effective way to mount tagua nuts for turning.



You can use a small gouge to form the outside profile. That's the only chance you'll have to use your standard gouges.

Turn the outside first

With the lathe running at about 2,000 rpm, begin turning the outside profile. Chuck cuts in with a parting tool to delineate the top of the turning, and then develops the overall form with a small gouge, as shown on the *opposite page*. Take it easy! Don't attack the tiny tagua nut with the gusto you would bring to a larger turning.

Because of the nut's shape, you may end up with spots of brown bark on your turning that you just can't get rid of. Don't worry about them—after polishing, the bark accents add character.

"When cleaning out the inside of the nut for a hollow vessel," Chuck says, "make the initial plunge with a corner of the parting-tool point." Open the hole to the diameter you want with your small tools. On a natural-edge vessel, turn off the lathe often to see how much edge remains.

Chuck cleans out the inside with dental tools and a scraper made from an old screwdriver. Use the dental tools as you would a scraper, shown *below*. Take advantage of different tool shapes to reach the inside of the wall.



Support the tools close to the work. Beware of nicks in the tool rest—they can lead to grief with small tools.

Turn the wall to about $\frac{1}{16}$ " thick. "The turning will be too small for your calipers, so bend a heavy paper clip to measure it," he suggests. "Place a light above and behind the nut, and you'll see the tool shadow. (Opening photo.) With practice, you can tell the thickness of the wall by the sharpness of the shadow."

Teeny tagua-turning ideas



Miniature vessels like those shown *above* aren't all you can make from tagua nuts. Here are some other wee turnings for you to consider.

- Earrings. Attach small spindles or rosettes to earring backs.
- Necklaces. Hang ornate turnings from jewelry chains.
- Drawer pulls. Epoxy headless machine screws into turnings.

• Rings. Turn vegetable ivory finger rings or earring hoops.

• Key fobs. Connect key chains to turnings with screw eyes.

• Bottle stoppers. Glue corks to fancy turnings.

• Tie tacks. Affix turnings to tie-tack backs. (Cuff links to match?)

• Fancy buttons. Make some great buttons for your coat. Why not? That's where it all started.

Polish it, and part it off

Sand the completed turning with progressively finer sandpaper—220- to 600-grit. Chuck puts a final polish on his ivory turnings with a cotton buffing wheel and a Moto-Tool. He loads the wheel with white jeweler's rouge, and then polishes the turning with the lathe running.

Carefully part off the turning. Chuck parts off in several steps to prevent chipping. He makes his initial cut with the point of a skew held upside down. He then cuts in to about the last $\frac{1}{4}$ " with a $\frac{1}{16}$ "-thick parting tool and completes the job with a dental tool. But, he warns, the turning could come off at any time: "Sometimes, the heat from parting off will break the glue bond."

All that remains is to polish the bottom of the piece, cut a new mounting surface on your dowel, and glue on another nut. That's the thing with nuts—you can't stop at just one.

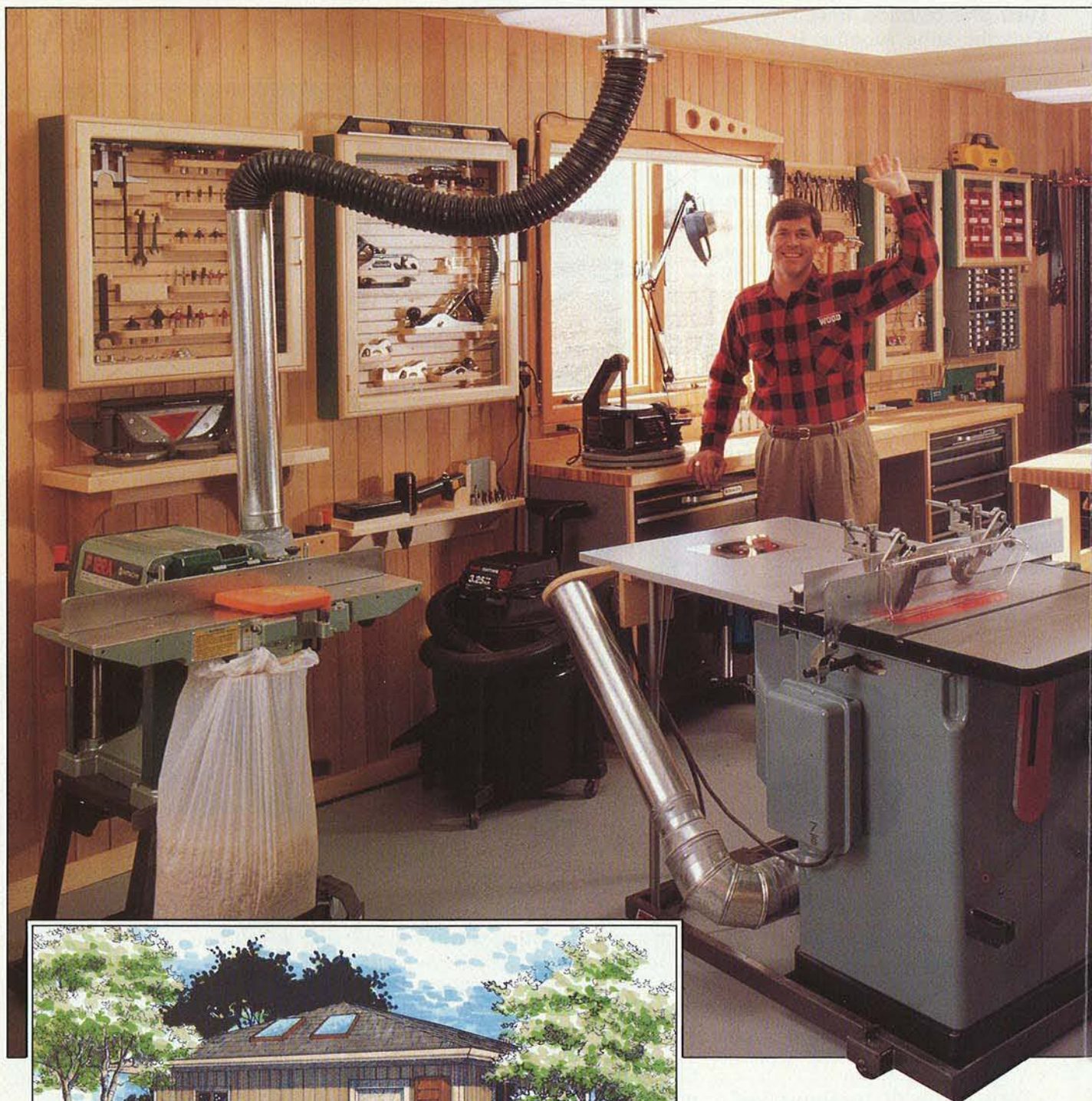
Buying Guide

Tagua nuts. Ten tagua nuts, \$14 ppd. in U.S., Tropical Exotic Hardwoods of Latin America, Box 1806, Carlsbad, CA 92018, 619/434-3030

Dental tools. Pair of sturdy, single-ended scalers (one curved, one angled hook), \$22.50 ppd. in U.S., Dental Distributors of Iowa, 9103 Swanson Blvd., Des Moines, IA 50325, 800/397-3278

Written by Larry Johnston with Chuck Luebbers
Photographs: Gary Zeff

HERE IT IS! WOOD® MAGAZINE



Above. As you can see, **WOOD** magazine's **IDEA SHOP** is packed with some pretty nifty features, such as a concealed dust-collection system with drops, plenty of natural and fluorescent lighting, adaptable storage projects you can build, and lots, lots more. *Left.* The **IDEA SHOP** exterior.

 [Print this article](#)



You say you want some help planning a new workshop? Or maybe you've got the urge to reorganize the one you have now. Either way, you've come to the right place. During your tour of *WOOD*® magazine's all-new IDEA SHOP,

you'll discover how we took a 14×28' bare-bones room and remodeled and outfitted it into the sensational, feature-filled woodworking center shown. Use any of the ideas you like—after all, we built this shop just for you.

Welcome, woodworkers, to *WOOD* magazine's IDEA SHOP. It's the result of almost a year of space planning, project designing, construction, and installation by nearly everyone on the staff. But was it ever worth spending time and energy!

In fact, the staff and I recently went on a walk-through. In addition to all the marvelous ideas and projects we had earmarked to cover editorially, we came up with still another several dozen practical ideas to tell you about. Some of these include the nifty organizers we created along the way, while others proved to be shop-smart products you can buy.

As you might imagine, we took a lot into consideration when we sat down at the drawing board to plan this sizeable undertaking. We looked at space organization, the working environment, comfort and health features, and, of course, safety and security.

All in all, the IDEA SHOP has turned out to be exactly that—a shop bursting with great ideas. On the following pages, we'll introduce you to all of the innovations. Then, in this and future issues, we'll offer you the detailed plans and instructions for each of the super storage units and organizers you see in the photographs.

Of course, we couldn't have created the IDEA SHOP entirely by ourselves. We owe thanks to over 50 manufacturers and suppliers who helped us out with materials and merchandise. You'll find them credited throughout this article, and in our IDEA SHOP tools story beginning on *page 82*. Now, continue the tour on the following pages and feast your eyes on our shop of shops.

Larry Clayton
Editor

“The workstation concept was important in our planning because woodworkers tend to break down a project into specialized tasks, such as sawing, sanding, and assembly. Nearby every major stationary machine are all the associated accessories and jigs, often within arms’ reach.

“Another major consideration was to lay out the shop to handle long stock. We centered the tablesaw in the room and turned it at an angle. Doing this allows us to rip long boards and sheet goods in the diagonal formed between the shop’s corners.”

A. R. Downing
Design Editor

Like most woodworkers, when we decided to set up the IDEA SHOP™, we turned to space available. That was an unfinished 14×28’ room sharing the same roof with a two-car garage. A room that size compares to many basement bays and measures a little larger than a single-car garage.

Even though 14×28’ sounds like a lot of space, fitting a full complement of stationary power tools into the room was challenging. (See the floor plan *below left* for how we situated our tools.) Note that we located the air-handling equipment, dust-collection unit, air compressor, and our lumber-storage bin outside of the shop to conserve space, and for other reasons you’ll learn about.

Workstations for big tasks

The sliding compound mitersaw station, shown *below*, sees a lot of

action, so we built blade and jig storage above for it and for the tablesaw, too. We also added a cabinet-length table extension and fence, and made a handy pullout scrap bin beneath the saw. Other compartments hold portable electric tools, such as routers, drills, and sanders. And there’s plenty of storage below.

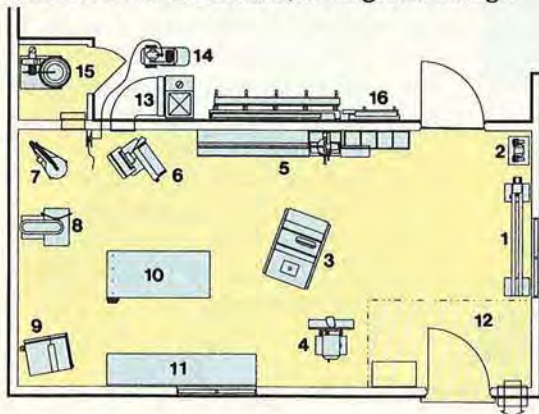
Continuing the workstation concept, cabinets near the lathe, shown *opposite page, right*, hold turning tools and protective equipment such as a face shield and respirator. There’s also related storage near the drill press, bandsaw, and scrollsaw.

Air-tool storage also follows the workstation concept, even though the tools would normally be used throughout the shop. How did we manage to do this? In the clamp-wall photo, *opposite page, left*, you’ll note the retractable red

Right. In line with the workstation concept, the sliding compound mitersaw hugs a wall on its own cabinet. The sander, though, sports a mobile base. Note the dust-collection system’s drops.

Opposite page, left. Tired of searching for clamps? In the IDEA SHOP, we keep a full line at the ready on one wall, with each type having a specialized holder. Better still, they’re only a few steps from the assembly workbench (removed from this photo but seen on *page 58*) where needed most.

Floor-plan. 1. Lathe 2. Grinder 3. Tablesaw 4. Jointer/planer 5. Mittersaw 6. Belt sander 7. Scrollsaw 8. Drill press 9. Bandsaw 10. Assembly workbench 11. Stationary workbench 12. Finishing area 13. Heating/cooling unit 14. Compressor 15. Dust collector 16. Lumber/sheet-goods storage.



hose reel to the right of the scroll-saw and low to the floor. The cabinet above contains pneumatic tools: When it's time to work with one, we remove it from the cabinet and attach it to the hose. Then, we adjust the pressure and, with the 25' length of hose, we pull the tool to where it's needed. The hose lies flat on the floor, making it easy to step over.

The use of solid hemlock tongue-and-groove paneling over drywall creates a warm, inviting look throughout the IDEA SHOP™. It in fact contributes to the workstation concept, too. How can that be? The solid wood actually comes in handy for hanging lighter storage units—you don't always have to seek out the studs for a solid anchor. But when it came to hanging the heavy tool cabinets or other organizers, we relied on wall studs for support.

A solution for adaptability: mobile machines

Although we positioned the 10" tablesaw at an angle in the center of the shop to accommodate longer stock, it doesn't have to stay there. Because, like the lathe, bandsaw, jointer/planer, and belt/disc sander, it rests on a mobile base (the compound-mitersaw, drill press, and scrollsaw don't). Just release the wheels and away you go, ready to tackle the new job at hand.

But, you say, doesn't mobility conflict with the workstation plan? No way. Mobility contributes to the shop's overall efficiency by maximizing the use of each tool. And, the ability to move machines aside lets you quickly and easily clean any sawdust and dirt that accumulates beneath them, without straining your back.

Continued

SHOP SPECS

Compressor, air hose:

3.5 hp model VT6196
Campbell Hausfeld
100 Production Drive
Harrison, OH 45030
800/634-4793

Dust-collection fittings:

3", 4", and 5" snap-lock pipe, elbows, reducers, hoses, blast gates, clamps
Woodworker's Supply Inc.
1108 North Glenn Rd.
Casper, WY 82601
800/645-9292

Floor finish:

Patio gray Latex Trim Enamel
Martin-Senour Paints
101 Prospect Ave. N.W.
Cleveland, OH 44115
800/542-8468

Floor preparation:

Mar-gon Floor Leveler
United Gilsonite Laboratories
P.O. Box 70, Scranton, PA 185-0070
800/272-3235

Wall Finish:

Heirloom Crystal Clear
McCloskey, Div. of Valspar
7600 State Rd., Philadelphia, PA 19136
800/767-CLEAN

Fluorescent lighting:

Seven 4' fixtures (No. 11233)
Lithonia Lighting
Box A, Conyers, GA 30307
404/922-9000

Skylights:

Two model VS ventilating skylights with low-E glass, shades, and power crank
VELUX-AMERICA INC.
P.O. Box 5001
Greenwood, SC 29648
800/283-2831

Wall paneling:

Western Hemlock Profile Wood
Western Wood Products Association
Yeon Bldg., 522 S.W. Fifth Ave.
Portland, OR 97204-2122
503/224-3930

(Sources of specific tools begins on page 82.)



Below. The lathe parallels an end wall of the shop. Its mobile base allows you to swing it out for special turning tasks. Note the portable dust pickup behind the lathe and the turning-tool storage nearby.



“Working efficiency shouldn’t be the only priority in designing a shop. It should be safe, secure, and comfortable, too. Take noise, for instance. We set up the dust collector outside the IDEA SHOP™ as a remote system. The advantage to that is noise reduction. But a disadvantage in winter is the lost heat pulled from the room. So in our shop, the remote dust collector feeds the withdrawn air back into the room through a filtered vent—much like a furnace’s cold-air return—that also picks up the very fine leftover dust.”

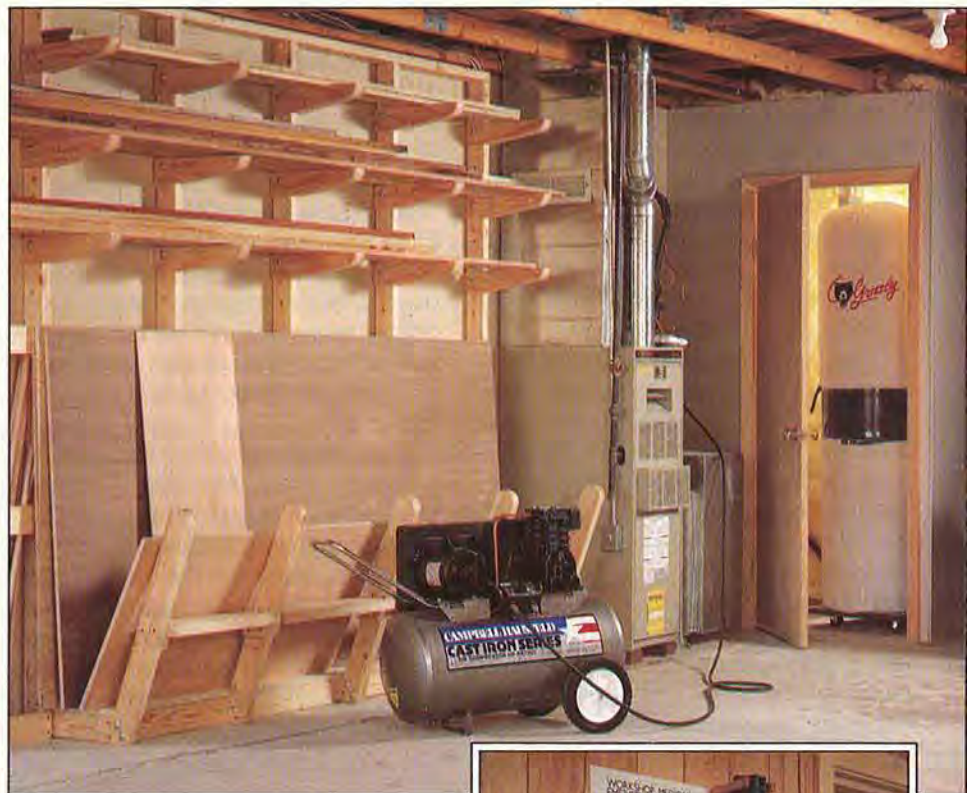
A. R. Downing
Design
Editor

Our efforts to make the IDEA SHOP comfortable to work in, as well as safe, began with providing ample lighting—natural, from two skylights and two windows, and artificial, from fluorescent ceiling fixtures and incandescent task lights. To cut down on leg strain caused by our shop’s unforgiving concrete floor, we added five rubber anti-fatigue mats where there’s typically a lot of standing. A cushioned, adjustable-height stool—one of this issue’s featured projects (see *page 70*)—lets you take a load off your feet.

Controlling the climate

A shop that’s too cold or too hot can take the fun out of woodworking. That’s why, for winter heating, we went with a 50,000 Btu Lennox gas furnace installed in the adjacent two-car garage, a few feet behind the wood-storage rack. For summer cooling, a companion compressor sits outside.

By locating the furnace in a sep-



arate room, we placed a protective wall between the pilot light and any shop-generated dust and volatile fumes. We took a second precaution by installing a 4"-thick pleated filter inside the furnace’s cold-air return.

Our battle for clean air

We zeroed in on controlling dust with the addition of a 2-hp collector. It, too, went into available garage space. But, to provide additional dust and noise protection, we housed the collector in its own insulated closet.

Enclosing the dust collector actually accomplishes two things: a) its buildup of exhaust air (containing fine dust particulates) can reenter the shop clean via a filtered vent, and b) the shop’s heated or cooled air is retained.

Our dust-collection system features metal ducting. We chose metal because unlike PVC pipe, it doesn’t require a ground wire to prevent a buildup of static



charges. We ran the ducting through the accessible attic space to cut down on the amount of exposed ducting. (Note: Metal ducting costs considerably more than PVC pipe, which in most home shops works as well.)

Dust collection in the IDEA SHOP didn’t stop there. A mobile air-filtration cabinet—also an out-feed table—removes dust, too. (You’ll find plans for this project in Issue 55, October 1992.)



Opposite top. Against the IDEA SHOP's wall, the lumber-storage rack holds 12' boards and full sheets of plywood.

Left. In the finishing area, a fold-down platform with turntable supports small projects when spraying or brushing.

Opposite below. The first aid kit, with supplies assembled for a woodworking shop, hangs at recommended eye level.

wall there's a red-lidded can for the safe disposal of oily rags and other finish waste.

By each shop door, we wall-mounted an ABC-rated fire extinguisher. And to detect a fire, should one occur, we had two 130° heat sensors installed in the shop's ceiling and connected to our shop security system and alarm. The remaining portions of our hard-wired system include a digital control pad, battery back-up, magnetic contacts at doors, and a motion detector covering the windows and shop area.

Dealing with fumes, flammables, fire, and theft

At the spray-finishing workstation, shown *above*, a filter-shielded, explosion-proof exhaust fan mounted in the wall (above the chair) removes toxic fumes through a 16×16" vent. The finishing area becomes self-contained with a wraparound vinyl curtain which

protects the rest of the shop from overspray by spray cans or a conventional spray gun.

In the same area, you'll find two storage cabinets—one OSHA-approved metal unit with double-walled protection for storing flammable liquids, and a second wall-mounted cabinet for painting equipment. Along the adjacent

First in first aid

To fully cover first aid, we called in industrial medical-supply specialists to customize a kit just for woodworkers. In fact, you can order the kit shown *opposite page* by writing to the Zee Medical address in our Shop Specs.

It contains shop-smart medical items like instant cold compresses for bruises and swelling, barrier cream to guard against possibly irritating woods, eyewash, and a nifty needle-pointed tweezer with magnifying glass, bandages, and antibacterial ointments. Above the metal kit hangs a flashlight for those times when a circuit breaker trips, a posting of emergency numbers, and a cordless speed-dial telephone to call for help, or have a friendly chat with the local lumber man. 🌲

SHOP SPECS

Cordless telephone:

Model 5450
AT&T Consumer Products
5 Wood Hollow Rd.
Parsippany, NJ 07054
800/222-3111

Dust collector:

Model G1029, 2-hp
Grizzly Imports, Inc.
See address on *page 82*

Fire extinguishers:

Two 10-pound portables, ABC-rated, no. 5y1014
Ansul Fire Protection
One Stanton St.
Marinette, WI 54143-2542
715/735-7411

Furnace and air conditioner:

Whisperheat Up-Flo 50,000 Btu gas furnace
model G20Q3E-50, cooling coil, model DSP-

200, condenser Model HS20-261
Lennox Industries, Inc.
P.O. Box 799900
Dallas, TX 75379-9900
(See the Yellow Pages for dealers)

Filters:

MK-80 16x20x4" pleated air filters
Air Filter Sales & Service
108 S.E. 4th St.
Des Moines, IA 50309
800/383-5151

Nonflammable storage:

Cabinet, model 25315, 15 gal., oily- waste can, model 9100, 6 gal.; Cease Fire waste receptacle, model 26615, 16 gal.; 1 qt. plunger can, model 10108; ½ pt. dispensing can, model 14004
Justrite Manufacturing Co.
2454 Dempster St.
Des Plaines, IL 60016
800/798-9250

Room ventilator:

Model 12A17D explosion-proof, wall type
Loren Cook Co.
2015 E. Dale St.
Springfield, MO 65803
417/869-6474

Safety:

No. 125 Woodworker's First Aid Kit (\$89 ppd., to order see below), face shield, respirator, ear protection
Zee Medical Service Co.
P.O. Box 65753
West Des Moines, IA 50265
800/346-4408

Security system:

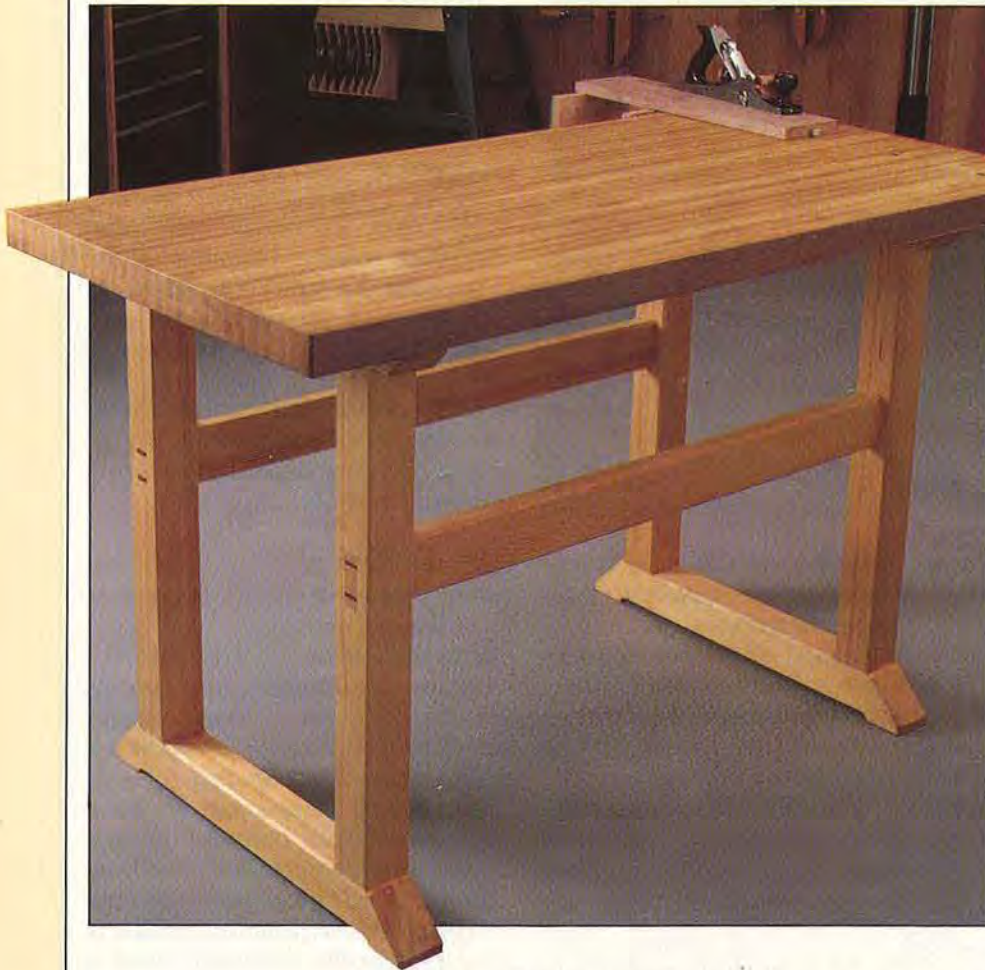
Topaz motion detector, control panel, console, recessed contacts, siren, heat sensors
Ademco
165 Eileen Way
Syosset, NY 11791
800/645-7568

Photographs: Wm. Hopkins

A WORKHORSE OF A WORKBENCH

Let's build the super-sturdy legs first

From 1½"-thick, straight-grained pine, rip and crosscut eight pieces 3¼" wide by 33¼" long for the leg blanks. Plane the edges of the stock before ripping it to finished width to remove the rounded corners. (See the box *below* for our method of obtaining straight-grained pieces from common lumberyard 2×10 stock.)



Our IDEA-SHOP™ workbench may be the design you've waited years for. It's simple to build and super strong. We relied on inexpensive lumberyard stock and rugged mortise-and-tenon joinery to construct the base. For the benchtop, we laminated maple to handle a lifetime of workshop activity. And we added bench dogs and a bench vise to expand the usefulness of our workbench, making it a fitting centerpiece for any home workshop. Plus, see the matching stool in the article following this one.

Design Notes

To keep costs down on this project, we hand-picked straight-grained pine 2x10s for the workbench base at a local lumberyard. In addition, we checked each 2x10 for twist and bow, and chose the straightest and driest pieces available. (If you have a moisture meter, take it with you when you shop.)

After getting the stock back to the WOOD magazine shop, we stickered the boards, and let them acclimate to our indoor environment for several weeks before cutting the parts (A, B, C, D) from along the edges where shown in the sketch *below*. This allowed us to use the straightest grain possible and achieve the best results.

A. R. Downing
Design Editor

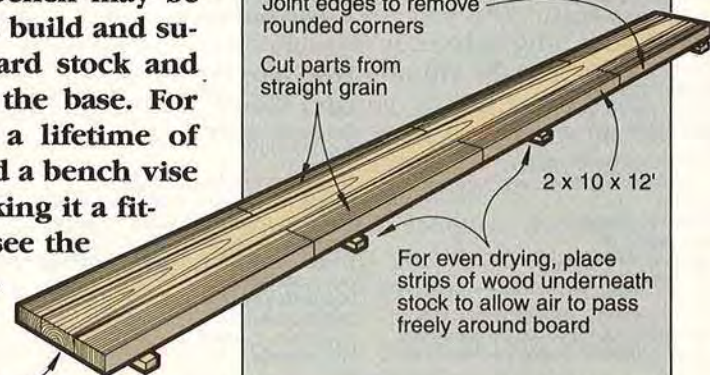
Joint edges to remove rounded corners


Cut parts from straight grain

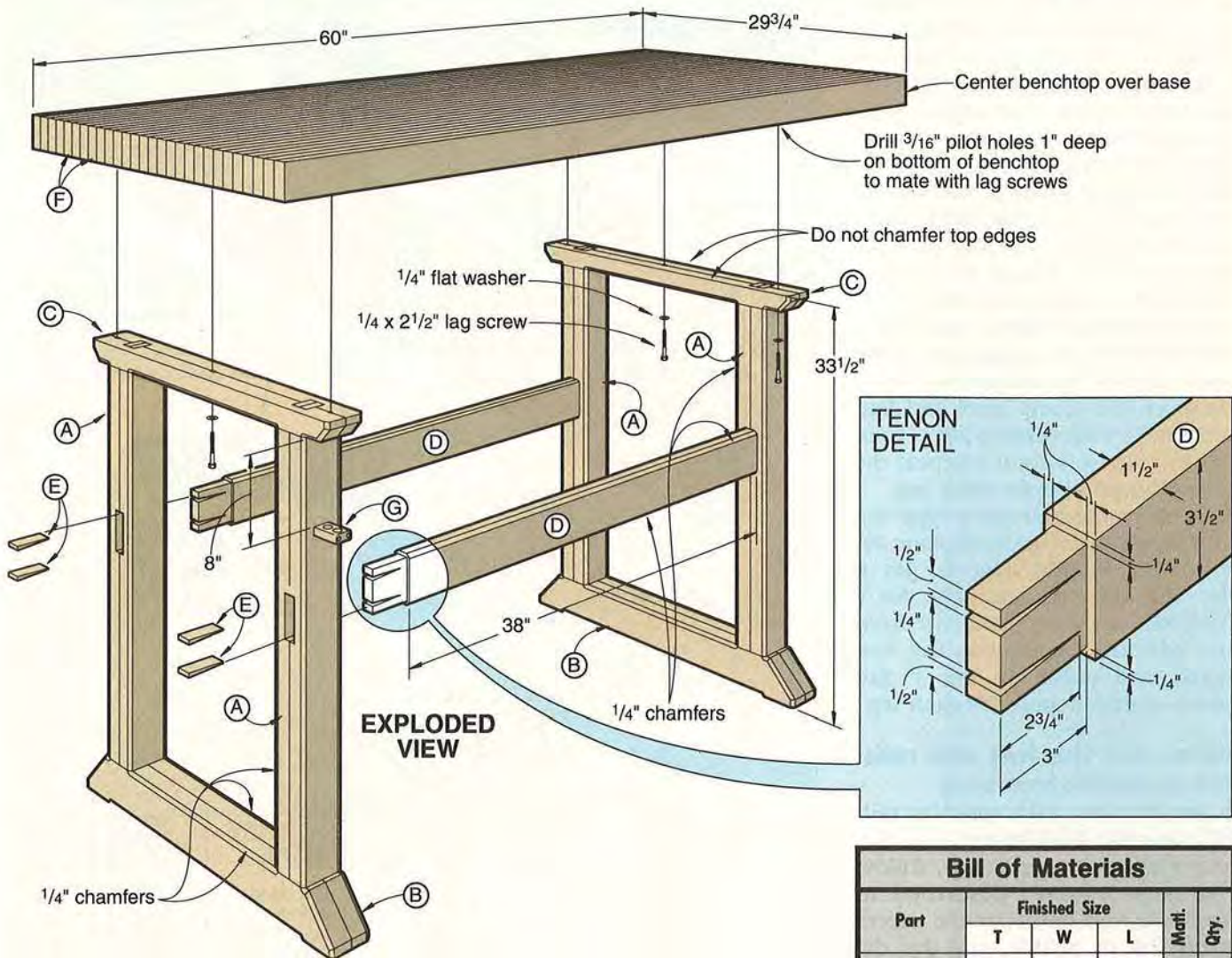
2 x 10 x 12'

For even drying, place strips of wood underneath stock to allow air to pass freely around board

Pith



 Print this article



CUTTING DIAGRAM



Bill of Materials					
Part	Finished Size			Mtrl.	Qty.
	T	W	L		
A* legs	3"	3"	33 1/4"	LP	4
B* feet	3"	3 1/4"	29 1/2"	LP	2
C* rails	3"	1 1/2"	28"	LP	2
D stretchers	1 1/2"	3 1/2"	44"	P	2
E* wedges	3/8"	1"	3 1/4"	DH	8
F* top pieces	1 1/16"	2 1/4"	60"	M	28
G dog holder	1 1/16"	1 3/4"	2 5/8"	M	1

*Initially cut parts marked with an * oversized. Then, trim each to finished size according to the how-to instructions.

Material Key: LP-laminated pine, P-pine, DH-dark hardwood, M-maple

Supplies: 3-1/2" all-thread rods 27 1/4" long, 6-1/2" nuts, 6-1/2" flat washers, 6-1/4 x 2 1/2" lag screws, 1/4" flat washers, clear finish.

2 Cut a 3" dado $\frac{1}{2}$ " deep $18\frac{3}{4}$ " from the bottom end of each leg blank where shown on the Mortise detail accompanying the End-Frame Assembly drawing.

3 Cut a $1 \times 3 \times 6$ " spacer to temporarily fit in the mating dadoes of two leg blanks where shown on the drawing at right. With the spacer between the pair of dados and the edges of the leg blanks flush, glue and clamp the pieces together. Then, remove the spacer before the glue dries. (We used pieces of scrapwood stock between the clamp jaws and legs to prevent the metal jaws from denting the softwood.) Repeat the clamping process for each leg.

4 Remove the clamps, scrape the glue from one edge, and plane $\frac{1}{8}$ " from the scraped edge to get it flat. Rip the opposite edge for a $3\frac{1}{16}$ " width. Next, plane $\frac{1}{16}$ " from the cut edge to remove the saw marks and to obtain the 3" finished width. Repeat for each leg.

Now, add the feet and rails for a wobble-free base

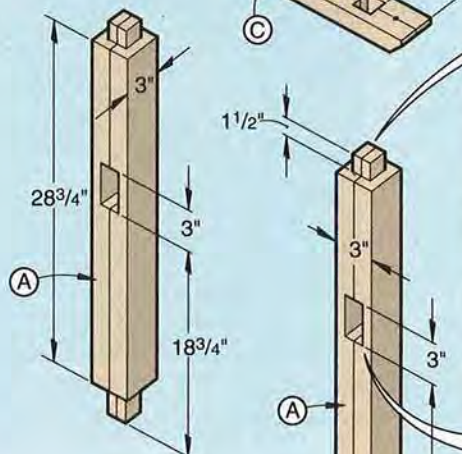
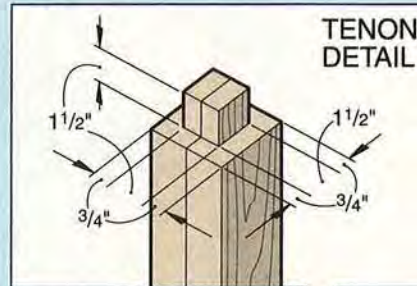
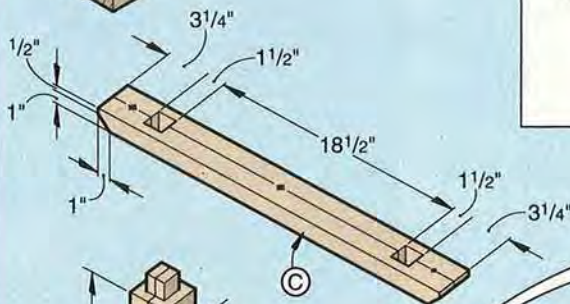
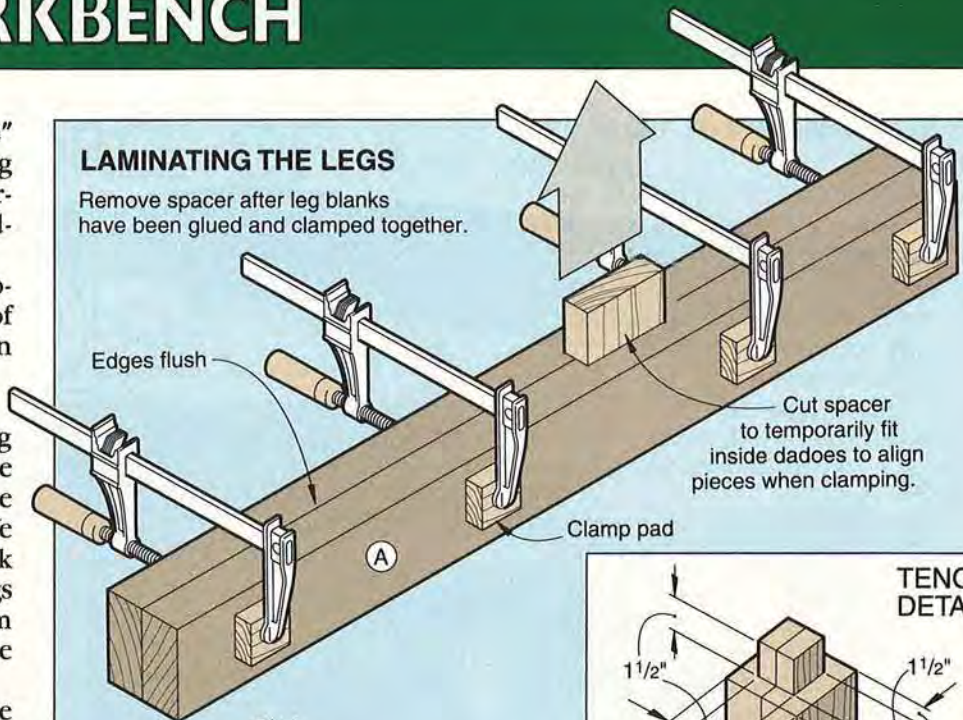
1 For the feet (B) and the rails (C), see the End-Frame Assembly and Parts View drawings, follow the same method described to form the legs (A). Cut the pieces oversized in width, cut the dados, glue the pieces together with the dados and edges of the boards aligned, and then trim to finished width.

2 Clamp the two feet (B) bottom edge to bottom edge. Mark a centerpoint $3\frac{1}{4}$ " from each end of the clamped-together feet. Now, use a compass to mark a $\frac{1}{2}$ " hole ($\frac{1}{4}$ " radius) at each centerpoint. Draw straight lines to connect the edges of each circle where shown in photo A on the opposite page.

3 Mark a 45° cutline across the end of each leg where shown on the Parts View drawing. Do the same thing to the ends of the rails where shown on the End-Frame Assembly drawing.

LAMINATING THE LEGS

Remove spacer after leg blanks have been glued and clamped together.

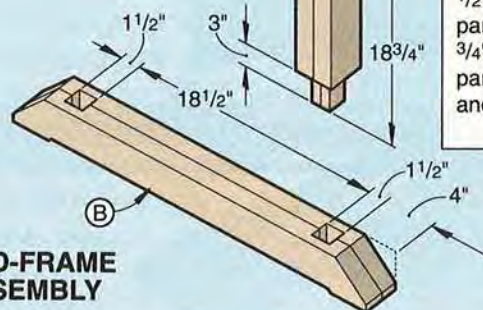


MORTISE DETAIL

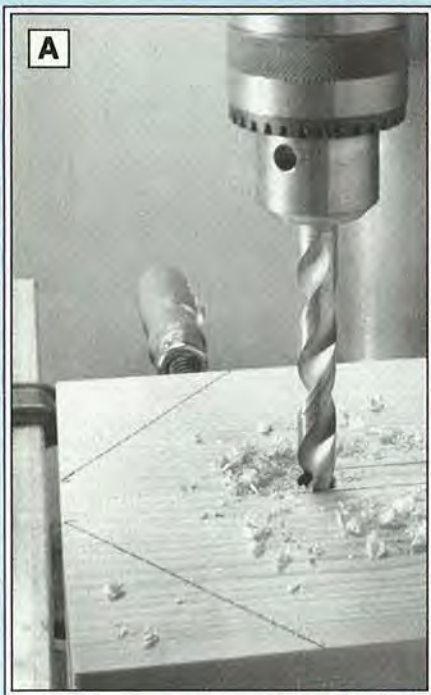
Cut dados before laminating parts together

3" for part (A), $1\frac{1}{2}$ " for parts (B) and (C)

$\frac{1}{2}$ " for part (A)
 $\frac{3}{4}$ " for parts (B) and (C)



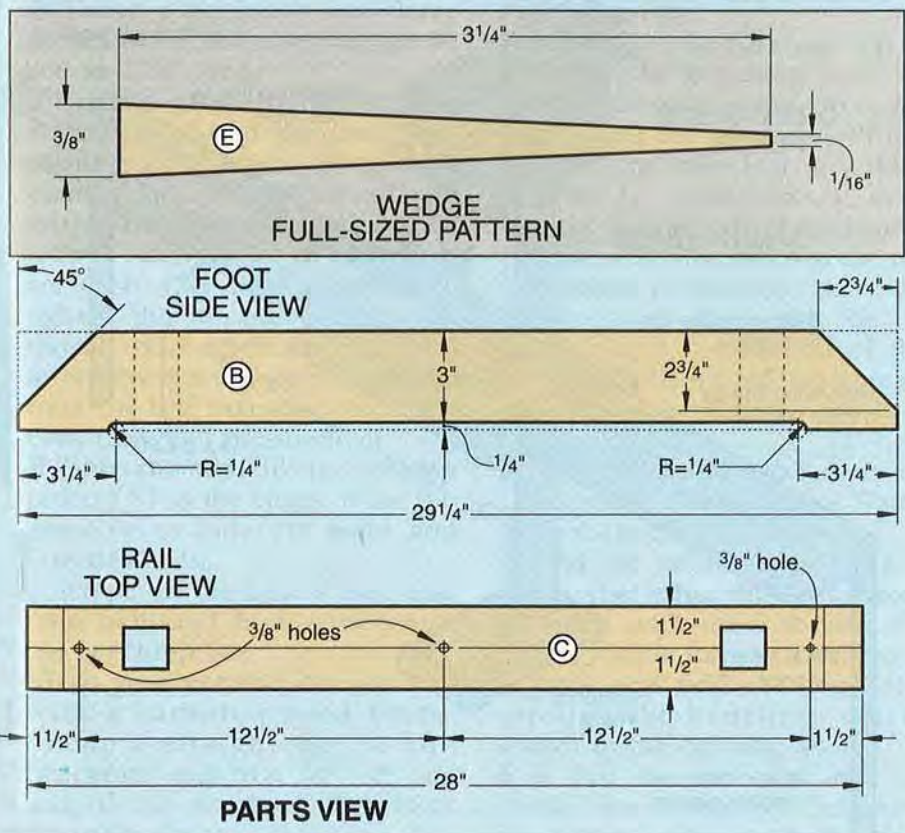
END-FRAME ASSEMBLY



A Clamp the feet together, and drill a 1/2" hole at the marked centerpoints to form the radiused bottoms.



B Tap the hardwood wedges into the notches. After the glue dries, trim the wedges flush with the legs.



4 As shown in photo A, drill a 1/2" hole at each marked centerpoint. Remove the clamps, and bandsaw between the holes along the inside edge of the marked line. Sand to the line to remove saw marks.

5 Using the dimensions on the End-Frame Assembly and Parts View drawings, miter-cut (we used a bandsaw) both ends of each foot (B) and both ends of each rail (C). Sand smooth.

6 Drill a trio of 3/8" holes in each rail (C) where shown on the Parts View drawing.

Next, let's assemble the base

1 Mount an auxiliary wood fence to your miter gauge and a dado blade to your tablesaw. Cut tenons to the sizes shown on the End-Frame Assembly drawing and accompanying Tenon detail.

2 Glue and clamp each end frame together, checking for square.

3 Rout 1/4" chamfers along the edges of the end frames where shown on the Exploded View drawing.

4 Cut the stretchers (D) to size. Cut a 3"-long tenon at each end of each stretcher to fit snugly through the leg mortises.

5 Rout a 1/4" chamfer along the edges of the stretchers between the tenons.

6 Using the Tenon detail accompanying the Exploded View drawing, bandsaw a pair of V-shaped notches in each tenon.

7 Cut eight wedges (E) to the size shown on the Parts View drawing. (For contrast against the light pine, use a dark-colored hardwood for the wedges; we choose genuine mahogany.)

8 Glue and clamp the stretchers in place between the end frame assemblies. Inject a bit of glue in each notch, and using a mallet, tap the wedges into the notches, and check for square.

9 Being careful not to mar the surface of the leg, trim the wedges flush as shown in photo B.

Continued

Build a top that can take a pounding

Note: You either can laminate your own maple top as described below or substitute a solid-core door from a local lumberyard or homecenter. Ask to find out if the company has any doors that customers have rejected because of mistakes in staining or cutting. You can purchase these for a fraction of their retail cost. Avoid doors rejected because of warpage.

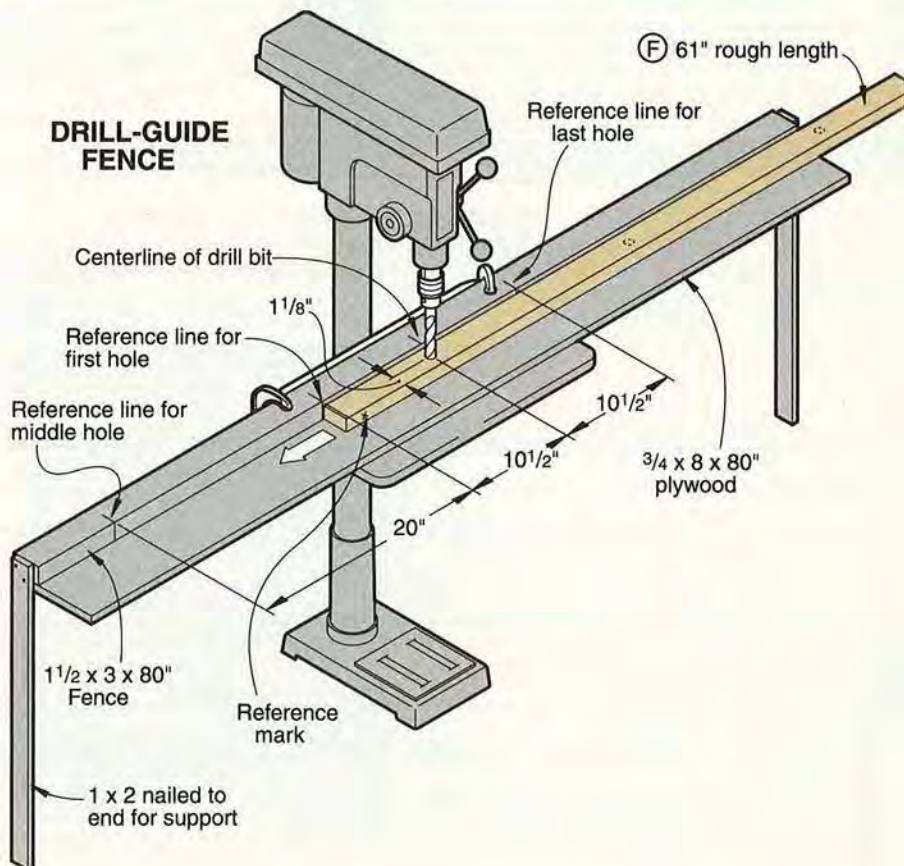
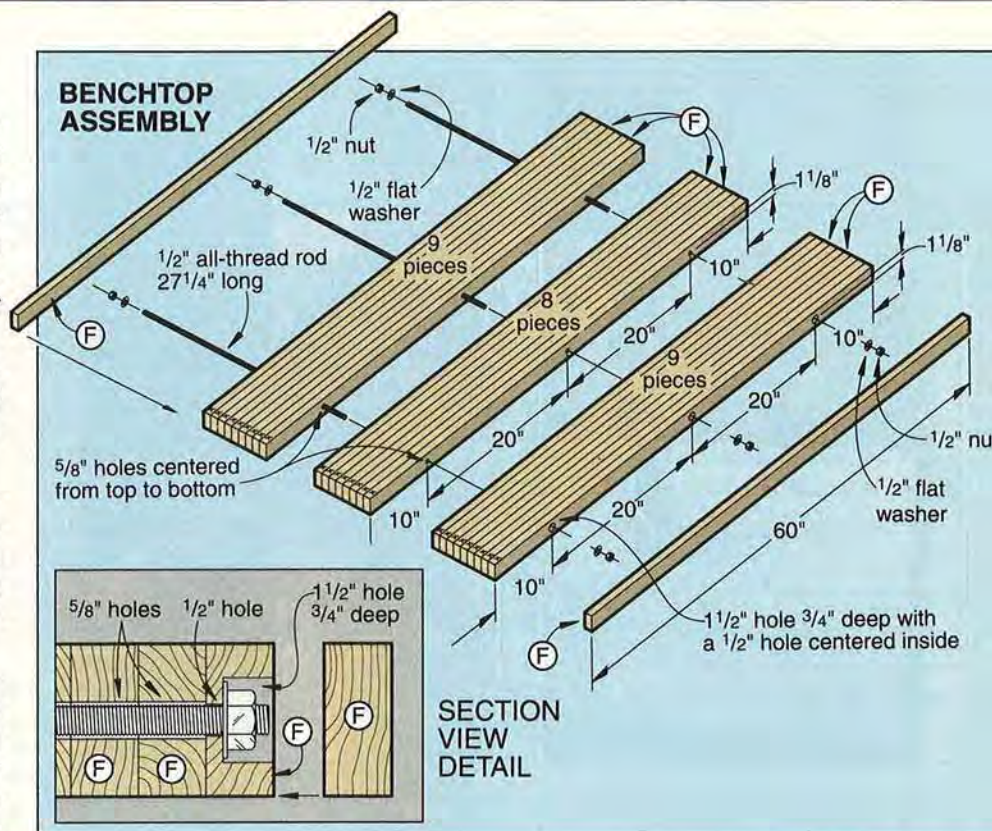
1 Cut 28 pieces of $1\frac{1}{16}$ "-thick maple (F) to $2\frac{1}{4} \times 61$ " for the laminated top. For reference when drilling and laminating later, mark an X on the best (defect-free) edge (not face) of each strip.

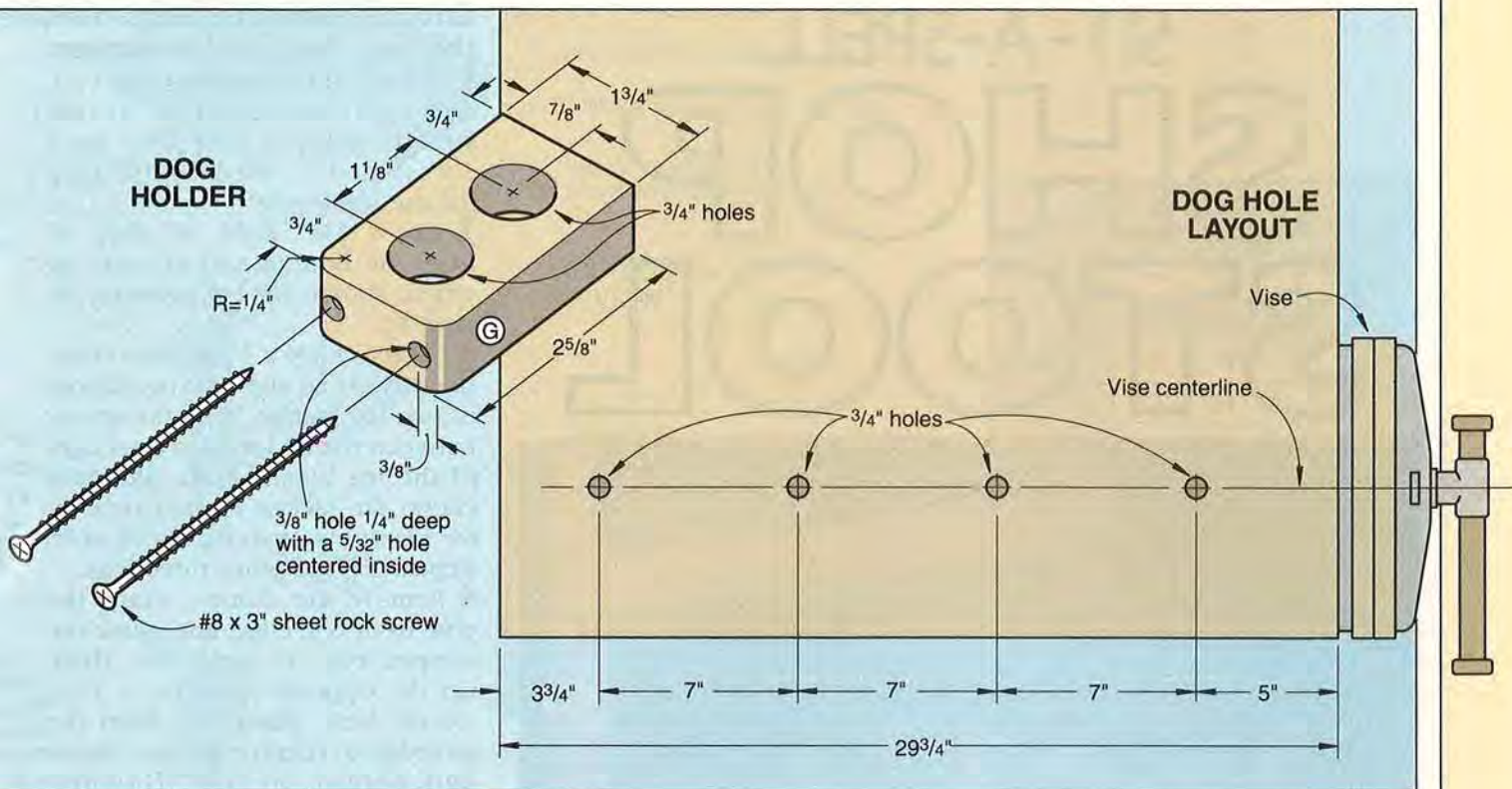
2 Using the drawing at right, below for reference, construct and attach a long fence to your drill press to ensure consistently spaced holes. Add a support to each end. Mark the reference marks on the fence where shown on the drawing.

3 With the marked edge facing out, align the ends with the reference marks on the fence, and drill three $\frac{5}{8}$ " holes in 24 of the 28 benchtop pieces (F).

4 Still using the fence and your marks, drill three $1\frac{1}{2}$ " holes $\frac{3}{4}$ " deep with a $\frac{1}{2}$ " hole centered inside each $1\frac{1}{2}$ " hole in two of the remaining four pieces.

5 Glue and clamp eight of the predrilled pieces (F) face-to-face, with the edges and ends flush, the $\frac{5}{8}$ " holes aligned, and the Xs facing up. Next, glue and clamp two nine-piece sections together in the same manner. Each of the nine-piece sections should have a strip with the $1\frac{1}{2}$ " holes on one outside edge. See the Top Assembly drawing for reference. (We found it easier to laminate three sections, and then glue and clamp the three sections together to form the top.) You should still have two maple strips (F) with no holes in them.





6 Using a hacksaw, cut three pieces of $\frac{1}{2}$ "-diameter all-thread rod to $27\frac{1}{4}$ " long.

7 Spread glue on the mating edges, and clamp the three sections edge-to-edge, using pipe clamps and the all-thread rod with nuts and flat washers attached. Check that the surfaces are flush. (We used a ratchet to tighten the $\frac{1}{2}$ " nuts on the all-thread rod.) Alternate back and forth between the clamps and the nuts on the threaded rods for even clamping pressure.

8 Glue the remaining two top pieces (F) to the edges of the top assembly to hide the holes and threaded rods.

9 Scrape off the excess glue, and then belt-sand both surfaces of the benchtop flat.

10 Fit your portable circular saw with a carbide-tipped blade. Clamp a straightedge to the benchtop, and trim $\frac{1}{2}$ " off one end of the benchtop. Repeat at the other end.

Finishing up

1 Finish-sand the base and top.

2 Center the benchtop assembly on the base. Clamp the top to the base. Using the previously drilled holes in the rails (C) as guides, drill six $\frac{3}{16}$ " pilot holes 1" deep into the bottom side of the benchtop assembly. The holes in the rail are slightly oversized to allow the lag screws to move with the expansion and contraction of the benchtop. Using $\frac{1}{4}$ " lag screws and flat washers, fasten the base to the top.

3 Add the finish to all surfaces. (We applied three coats of Watco Natural Danish Oil Finish.)

4 Drill the mounting holes, and add a vise using the instructions provided with the vise (see the Buying Guide for our source).

5 Mark and drill $\frac{3}{4}$ " dog holes through the benchtop where shown in the drawing above.

6 If you use the same type of round bench dogs we did, mark the layout for the dog holder (G)

on a piece of $1\frac{1}{16}$ " maple. Mark the centerpoints for the dogs and the mounting screws. Bore the holes for the dogs, and then cut the dog holder to shape. Next, drill the mounting holes, sand smooth, and apply the finish. Finally, screw the dog holder to the leg nearest the vise.

Buying Guide

• **Woodworker's Vise.** Cast-iron jaws, predrilled mounting holes, 34 lbs., with retractable "dog," catalog no. 9GT51785, \$84.99. Available at or order through Sears stores nationwide.

• **Round bench dogs.** Two, with wire springs allowing for height adjustment. Catalog no. 827116. \$24.45 ppd. Woodworker's Supply, Inc., 5604 Alameda Place NE, Albuquerque, NM 87113. Or call 800/645-9292 to order. ♣

Produced by Marlen Kemmet
Project Design: James R. Downing
Photographs: Wm. Hopkins
Illustrations: Kim Downing

SIT-A-SPELL SHOP STOOL



If you're one of those woodworkers who spends every spare minute working in your shop, you're going to love this shop stool. The padded seat makes it a joy to sit on. And with the special height-adjustment system we've designed into it, you can raise or lower the seat to suit your height and the surface you're working at.

Cut and laminate pieces for the legs, feet, and stretchers

1 To form the laminated legs (A), cut eight pieces of $\frac{3}{4}$ "-thick, straight-grained pine (we used 1×4s) to $1\frac{3}{4}$ " wide by 19" long for the leg blanks.

2 Cut a $1\frac{1}{2}$ " dado $\frac{1}{4}$ " deep 8" from the bottom end of each leg where shown on Leg drawing on page 73.

3 Cut a $\frac{3}{8}$ × $1\frac{1}{2}$ ×3" spacer to temporarily fit in the mating dadoes of two leg blanks. With the spacer between the dadoes and the edges of the leg blanks flush, glue and clamp the pieces. Immediately after clamping, remove the spacer. Repeat for the other three legs.

4 Remove the clamps, scrape the glue from one edge, and plane the scraped edge to get it flat. Then, rip the opposite edge for a $1\frac{1}{16}$ " width. Next, plane $\frac{1}{16}$ " from the cut edge to remove the saw marks and obtain the $1\frac{1}{2}$ " finished width. Repeat for the other legs.

5 Follow the method described in steps 1–4 above to make the feet (B). Cut the pieces oversized in width, cut the dadoes, glue the pieces together, and then trim. Repeat the process (minus the dadoes) for the stretchers (C).

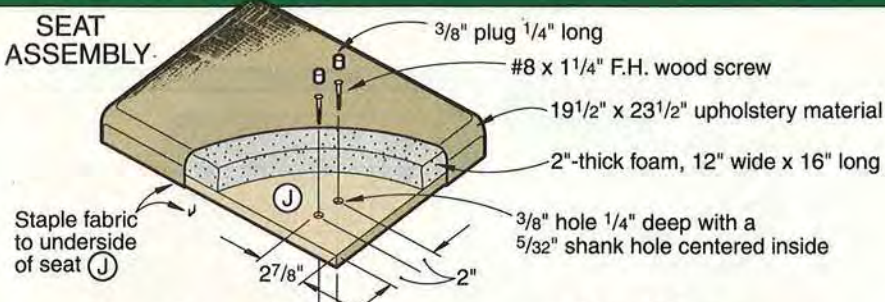
Finish machining the legs, feet, and stretchers

1 Mount an auxiliary wood fence to your miter gauge and a dado blade to your tablesaw. Using the dimensions on the Tenon detail accompanying the Stretcher Assembly drawing, cut tenons on the bottom ends of the legs and both ends of the stretchers.

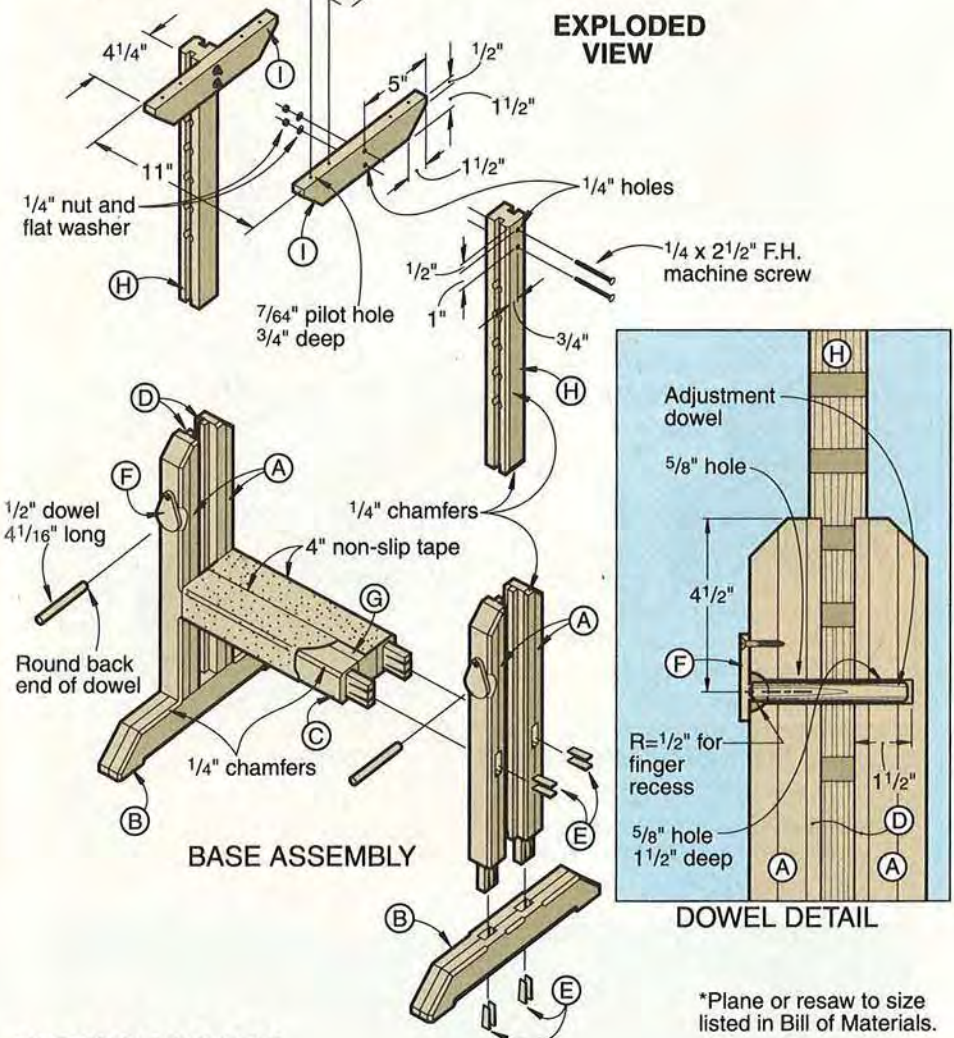
2 Using the dimensions on the Tenon detail, bandsaw a pair of V-shaped notches in each tenon in the stretchers and legs.

3 With the dimensions on the Leg drawing, angle-cut the top end of each leg. Use the dimensions on the Foot drawing and accompanying Foot End detail to angle-cut both ends of each foot.

Continued



EXPLODED VIEW



Bill of Materials

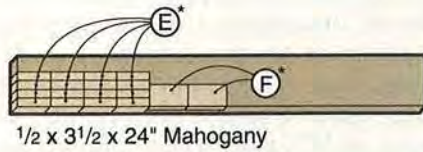
Part	Finished Size			Mater.	Qty.
	T	W	L		
BASE ASSEMBLY					
A* legs	1 1/2"	1 1/2"	19"	LP	4
B* feet	1 1/2"	2 1/4"	14"	LP	2
C* stretchers	1 1/2"	2"	14"	LP	2
D guides	3/8"	3/8"	17"	P	4
E wedges	3/16"	1/2"	2 1/4"	DH	16
F covers	1/4"	1 3/8"	2 1/4"	DH	2
G* spacer	1 1/2"	2"	11"	LP	1
SEAT ASSEMBLY					
H* posts	1 1/2"	1 1/2"	17"	LP	2
I rails	3/4"	2"	10"	P	2
J* seat	3/4"	12"	16"	EJP	1

*Initially cut parts marked with an * oversized. Then, trim each part to the finished size according to the how-to instructions.

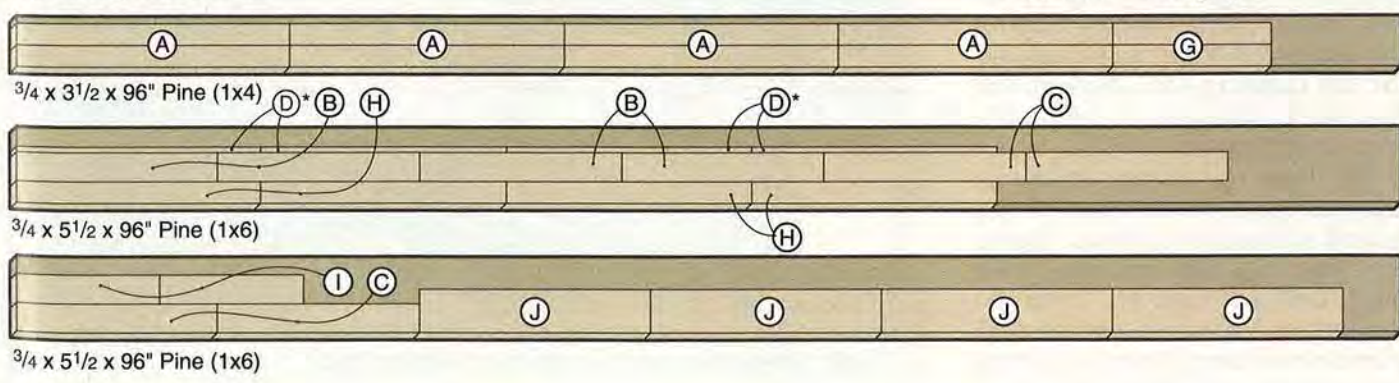
Material Key: LP-laminated pine, P-pine, DH-dark hardwood, EJP-edge-joined pine

Supplies: #8 x 1 1/4" flathead wood screws, 4-1/4 x 2 1/2" flathead brass machine screws with flat washers and nuts, 1/2" dowel stock, non-slip tape, 2"-thick foam, upholstery material, staples, clear finish.

DOWEL DETAIL



CUTTING DIAGRAM



*Plane or resaw to size listed in Bill of Materials.

SHOP STOOL

4 Clamp (without glue) the feet (B) bottom edge to bottom edge. Mark a centerpoint $2\frac{1}{4}$ " from each end of the legs. Use a compass to mark a $\frac{1}{2}$ " hole at each centerpoint. Draw lines to connect the edges of each marked circle.

5 Drill a $\frac{1}{2}$ " hole at each marked centerpoint. Remove the clamps, and bandsaw out the waste between the holes, cutting just inside the marked lines. Sand to the lines to remove the saw marks and finish shaping each recess.

It's time to assemble the stool base

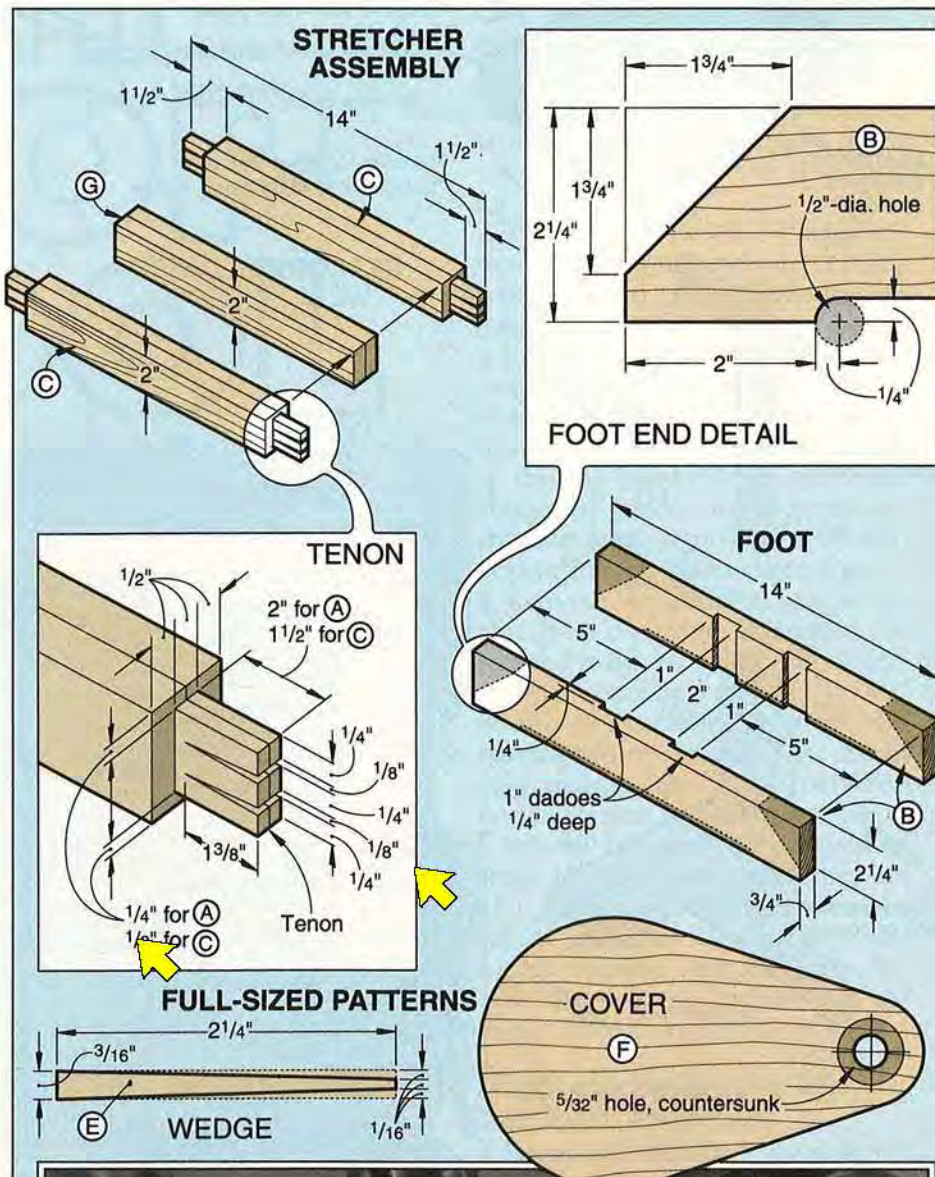
1 Cut the four guides (D) to the size stated in the Bill of Materials. With the ends flush and the guide centered from side to side, glue and clamp one guide to each leg. See the Guide detail accompanying the Leg drawing for reference.

2 Transfer the full-sized wedge pattern (E) to $\frac{1}{2}$ "-thick dark hardwood (we chose mahogany), and cut 16 wedges to shape.

3 Next, transfer the hole cover pattern (F) and hole centerpoint to $\frac{1}{4}$ "-thick stock. Cut the covers to shape, drill and countersink a $\frac{5}{32}$ " mounting hole in each, and set them aside for now. Fastened to the legs later, the covers prevent the dowels from sliding out when you move the stool around.

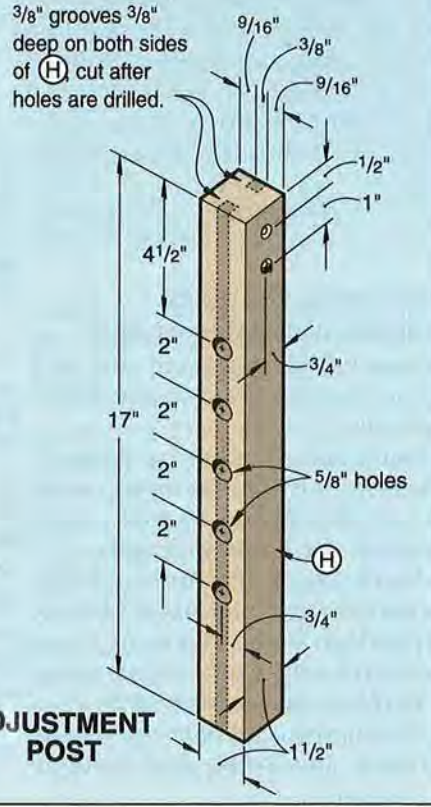
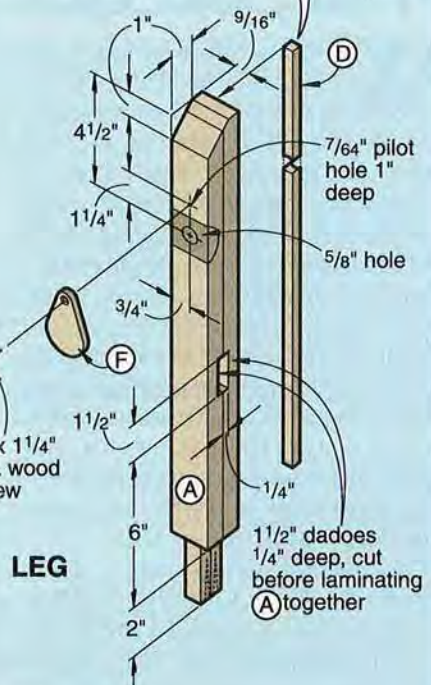
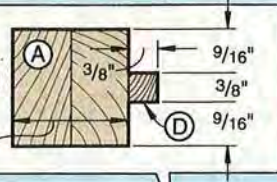
4 To bore the adjustment-dowel holes, dry-clamp a pair of legs together with the tenoned ends flush and the guides (D) mating and flush. Using a brad-point bit, bore a $\frac{5}{8}$ " hole where shown in the Dowel detail accompanying the Exploded View drawing and the Leg drawing. Drill through the first leg/guide and $1\frac{1}{2}$ " into the second leg/guide.

5 To form the finger recesses, clamp the two front legs with the bored sides face-to-face, holes aligned, and the tenoned ends flush. Drill a 1" hole $4\frac{1}{2}$ " from the top end and centered over the $\frac{5}{8}$ " adjustment-dowel holes as shown in the photo at *right*.



With the stool legs clamped together and the adjustment-dowel holes aligned, bore a 1" hole through both legs to form the finger recesses.

**GUIDE
DETAIL
(TOP VIEW)**



6 Glue and clamp the stretchers (C) between the legs (A), checking for square. Inject a bit of glue in each notch, and using a mallet, tap the wedges into the notches. Again, check for square.

7 Glue and clamp the feet (B) to the bottom ends of the legs (A). Glue and drive the wedges.

8 Being careful not to mar the surfaces of the leg, trim and sand the wedges flush.

9 Measure the opening between the stretchers (C), and cut the spacer (G) to fit. (Since we were already using 3/4" stock, we laminated two pieces and then trimmed the laminated piece to size.) Glue the spacer in place.

10 Rout 1/4" chamfers along the edges of the base pieces where shown on the Exploded View drawing.

Let's add the adjustable seat

1 Laminate 3/4" stock, and trim the adjustment posts (H) to size.

2 Mark the centerpoints for the 5/8" holes on the surface (not edge) where shown on the Adjustment Post drawing, and bore the five holes through each post.

3 Rout 1/4" chamfers along the edge and bottom ends where shown on the Exploded View.

4 Cut or rout a 3/8" groove 3/8" deep centered over the 5/8" holes on both sides of each post. Test the fit of each post on the guides between each pair of legs; the posts should slide easily up and down on their mating guides. If not, slightly enlarge the grooves.

5 Cut the seat rails (I) to size, angle-cutting the ends where dimensioned on the Exploded View drawing. Drill a pair of 1/4" holes through each rail where shown on the Adjustment Post drawing.

6 Edge-join 3/4" stock, and cut the seat (J) to size.

7 With the top edges flush, glue a rail to the inside face of each post (H), checking for square. Using the previously drilled 1/4" holes in the rails as guides, drill 1/4" holes

through the posts. Strengthen each rail/post joint with a pair of 1/4 x 2 1/2" flathead machine screws.

8 Cut a pair of 1/2" dowels 4 1/16" long. For easy insertion into the legs later, sand a round-over on one end of each dowel.

Fasten the seat to the adjustable posts

1 Insert the adjustment posts between the legs, adjust to the same level, and insert the dowels.

2 Center, then glue and clamp the seat to the rails.

3 To further secure the seat to the rails, drill eight 3/8" holes 1/4" deep where shown on the Exploded View drawing, centered over the rails. Drill a shank hole through the seat and a pilot hole into the rail as dimensioned on the Exploded View. Drive #8 x 1 1/4" wood screws through the holes.

4 Using a 3/8" plug cutter, cut eight plugs from 5/16" stock. Glue the plugs in place, and sand the protruding ends of the plugs flush with the top surface of the seat.

Cleanup before taking a seat

1 Disassemble the loose parts and sand the base, seat assembly, and covers (F) smooth.

2 To protect the stretchers, apply non-slip tape.

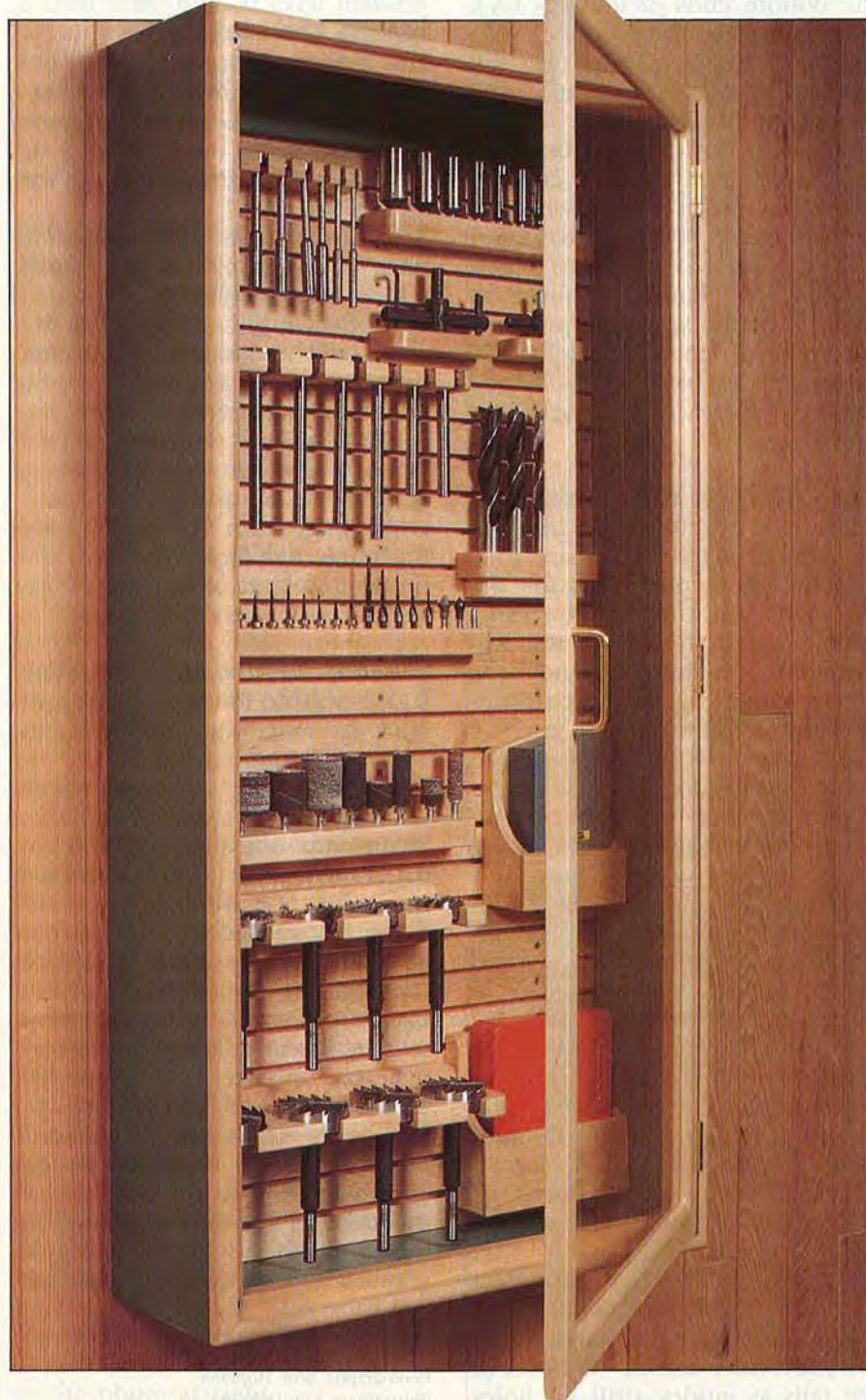
3 Mask the non-slip tape, and apply a clear finish to the parts (we used satin polyurethane).

4 For an exposed wood seat, rout a 3/8" round-over along the seat's top edge. Or, for a cushioned seat, have a piece of 2"-thick foam cut to size, cover it with upholstery material, and staple the material to the bottom of the seat.

5 Slide the seat assembly's adjustment posts into the base. Fasten the covers (F) to the base. Raise the stool to a comfortable seating height, insert the dowels, and give yourself a well-deserved break. 🍷

Produced by Marlen Kemmet
Project Design: Dave Ashe
Photographs: Wm. Hopkins
Illustrations: Kim Downing

UNIVERSAL WALL- THE END-ALL, BE-ALL



When we decided to build the IDEA SHOP, we wanted every component to be fresh, new, and above all practical. With that in mind, I put my engineering background to work and designed a wall-cabinet system that works great for organizing hand tools, safety equipment, power-tool accessories, and much more. The cabinets go together quickly, they won't cost you an arm and a leg, and the acrylic inserts in the doors allow you to spot your well-organized tools in a jiffy, and keep dust away from them, too.

On the following pages, we'll show you how to build a 2×4' cabinet. (For cabinets with different dimensions, see the sizing guidelines at *right*.) On *pages 78 and 79*, we'll explain the method Jim Boelling, our Project Builder, used to design the tool holders in our cabinets. Turn to *page 32* for plans to build the Forstner bit holders.

Mark Kemet
How-To Editor

Start with the back and the mounting strips

1 From ½" plywood, cut the back (A) to the size listed in the Bill of Materials.

2 Using the drawing on *page 75*, bevel-rip the 29 mounting strips (B) to size from ½"-thick stock. Crosscut the strips to length.

3 Mark the screw-hole center-points where dimensioned on the Exploded View drawing, and then drill and countersink a trio of shank holes in each strip.

4 To ensure consistent spacing between the strips and smooth-

CABINET SYSTEM

SOLUTION TO SHOP CLUTTER

How to size cabinets to suit your needs

The cabinet we show on the opposite page measures 2×4'. But as you can see on *page 58*, we've built various-sized cabinets for such things as our measuring and marking tools, lathe tools, air-powered tools, and hand planes, to name a few. To help size your custom cabinets, follow these planning guidelines:

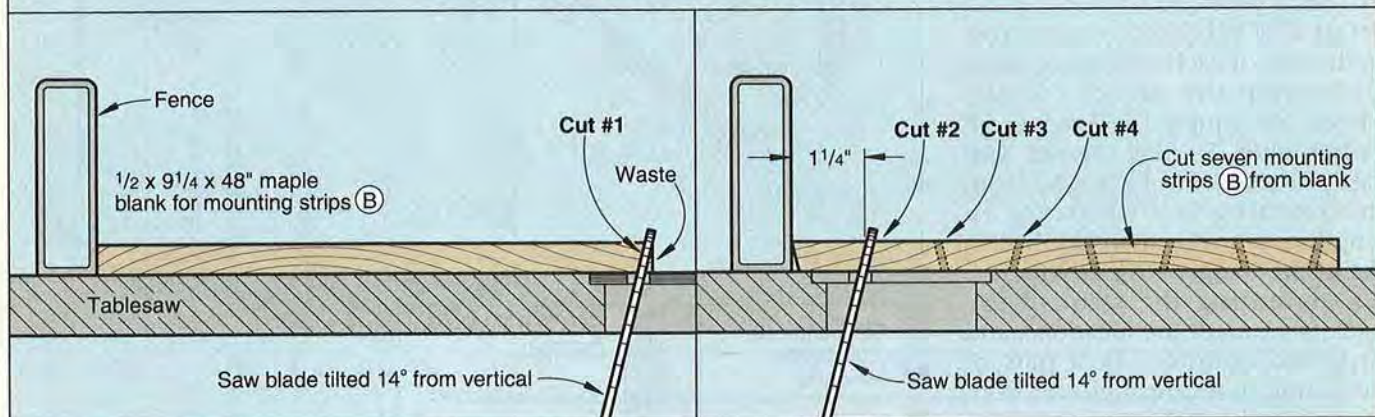
- Gather together the tools or other items you want to store in a special-purpose cabinet. Then, lay out the items on a large piece of plywood. This will give you a rough idea of how large to make the cabinet's back.
- If making your cabinet shorter or longer than the model shown, do so in 1½" increments to allow

for each mounting strip and a ¼" gap added or subtracted.

● Also, if you widen a cabinet and the door becomes wider than it is tall, we recommend using two doors.

● Finally, make the depth of the cabinet equal to the width of the widest tool to be stored in the cabinet plus 1½".

BEVEL-RIPPING THE MOUNTING STRIPS

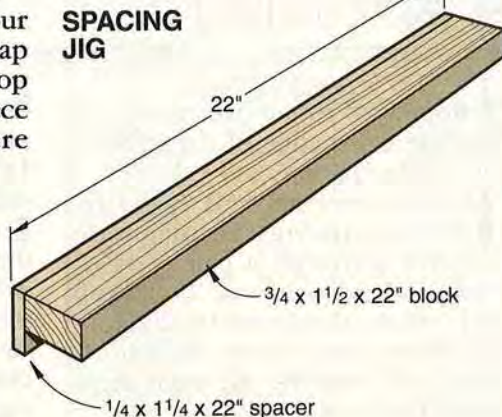


sliding components, build a spacing jig like that shown at *right*.

5 Clamp the back (A) to your workbench. Cut a piece of scrap measuring 2¼×22". With the top edges flush, clamp the scrap piece to the top of the back where shown in the photo *far right*.

6 Starting flush with the bottom edge of the scrap strip (2¼" from the top edge of the back), glue and screw the first mounting strip (B) to the back where shown in the photo. See the Mounting detail accompanying the

Continued



Glue and screw the maple mounting strips to the plywood back, using the spacing jig for consistent gaps.

WALL-CABINET SYSTEM

Exploded View drawing for reference. Check that the ends of the mounting strip are flush with the outside edges of the back. Use only a small amount of glue to avoid squeeze-out. Immediately wipe off excess glue with a damp cloth. *Caution: glue left between the mounting strips can prevent the tool holders from sliding easily in the dovetail grooves later.*

7 To ensure consistent gaps between the mounting strips, use the spacing jig as shown on the *previous page*. Working from the top down, glue and screw all the mounting strips to the back.

Now, construct the basic cabinet assembly

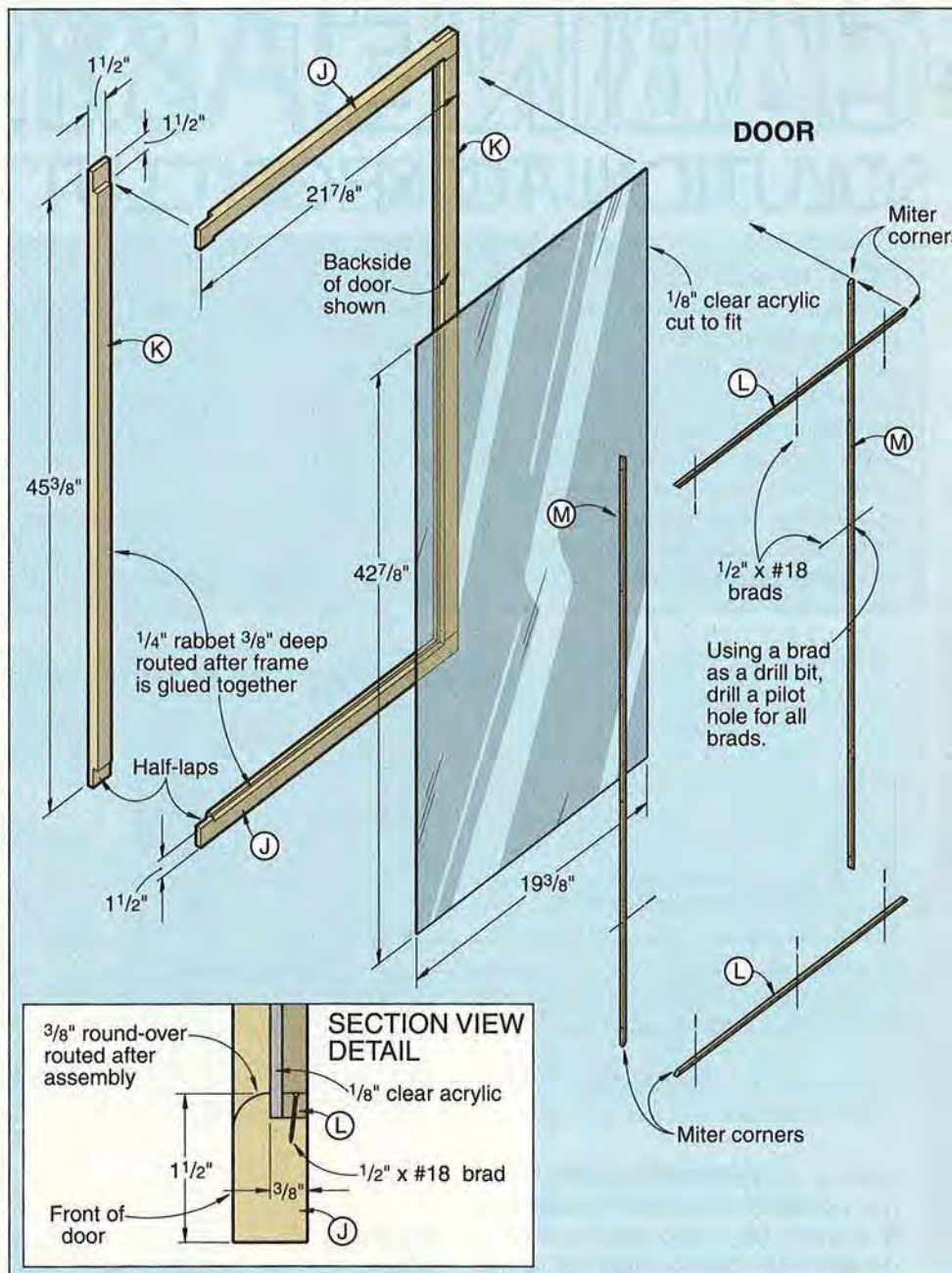
1 Cut the cabinet sides (C) and top and bottom (D) to the sizes listed in the Bill of Materials from $\frac{3}{4}$ " birch plywood.

2 Cut a $\frac{3}{4}$ " rabbet $\frac{1}{2}$ " deep across both ends of each side piece. Glue and clamp the pieces (C, D). Check for square, and wipe off excess glue. So the cabinet will easily fit onto the back (A) later, the opening is $\frac{1}{16}$ " larger in length and width than the back.

3 Cut the hanger strip (E) to size. For mounting the strip to the back later, mark the locations, and drill and countersink a pair of mounting holes through the front face of E where shown on the Exploded View drawing.

4 Glue and clamp the hanger strip to the bottom of the cabinet top (D), $\frac{1}{2}$ " in from the back edge. See the Mounting detail accompanying the Exploded View drawing for reference. Drill three mounting holes through the cabinet top, centered into the top edge of the hanger strip (E). Drive a #8 x $1\frac{1}{4}$ " wood screw through each hole just drilled.

5 Rip and miter-cut the face-frame strips (F, G) to size. Glue and clamp them to the front of the cabinet. Sand the strips flush with the cabinet frame.



6 Rout a $\frac{3}{8}$ " round-over along the outside front edge of the cabinet assembly (parts F and G).

7 Cut the door stops (H, I) to size.

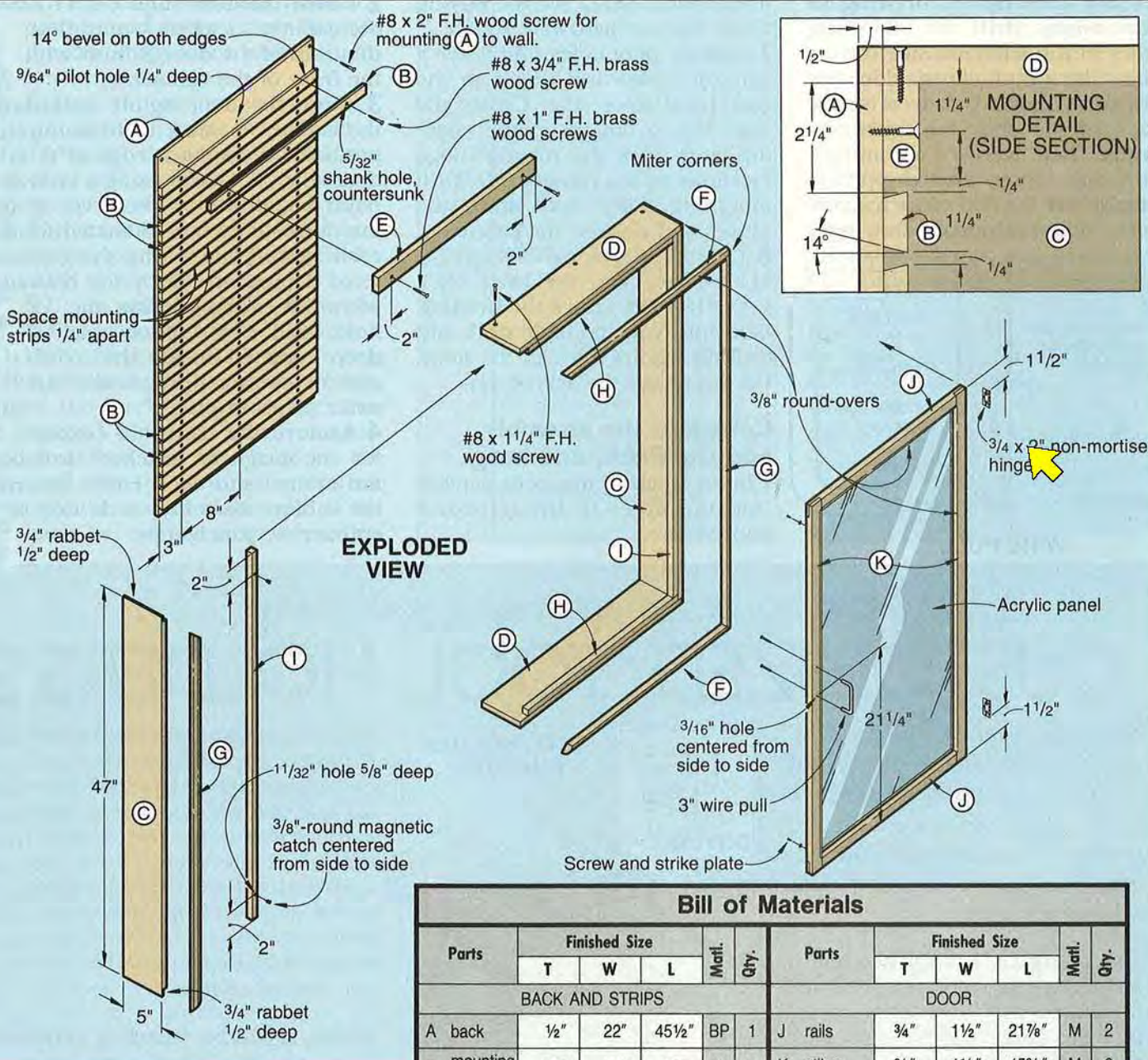
8 For mounting the magnetic catches later, drill a pair of $1\frac{1}{32}$ " holes $\frac{5}{8}$ " deep in one door stop (H) where shown on the Exploded View and Catch drawings. Hold off installing the door stops until final assembly.

For an open and shut case, add the door

1 Cut the maple door rails (J) and stiles (K) to size.

2 Cut $1\frac{1}{2}$ "-long half-lap joints on the ends of each rail and stile.

3 Glue and clamp the door frame members together, checking for square and making sure the frame clamps flat. Later, remove the clamps and sand the door smooth.



4 Rout a 1/4" rabbet 3/8" deep along the back inside edge of the door frame for the acrylic panel and stops. Using a chisel, square the curved corners left by the router.

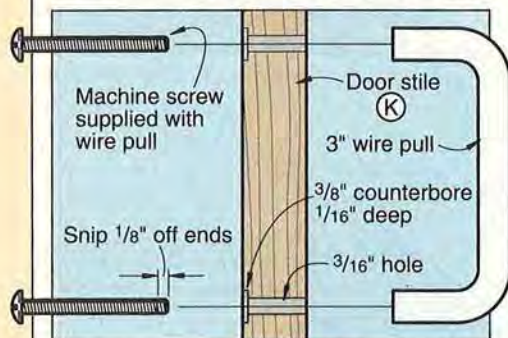
5 Fit your router with a 3/8" round-over bit, and rout along the front inside edge of the door frame. See the Section View detail accompanying the Door drawing for reference.

Continued

Bill of Materials

Parts	Finished Size			Matl.	Qty.	Parts	Finished Size			Matl.	Qty.
	T	W	L				T	W	L		
BACK AND STRIPS						DOOR					
A back	1/2"	22"	45 1/2"	BP	1	J rails	3/4"	1 1/2"	21 7/8"	M	2
B mounting strips	1/2"	1 1/4"	22"	M	29	K stiles	3/4"	1 1/2"	45 3/8"	M	2
CABINET FRAME						L stops	1/4"	1/4"	19 3/8"	M	2
C sides	3/4"	5"	47"	BP	2	M stops	1/4"	1/4"	42 7/8"	M	2
D top/ bottom	3/4"	5"	23"	BP	2	Material Key: BP-birch plywood, M-maple Supplies: #8 x 1 1/4" flathead wood screws, #8 x 2" flathead wood screws, #8 x 1" flathead brass wood screws, #8 x 3/4" flathead brass wood screws, 1/8" clear acrylic, 1/2" x #18 brads, paint, clear finish.					
E hanger strip	3/4"	2"	22"	M	1						
F face strips	3/4"	3/4"	23 1/2"	M	2						
G face strips	3/4"	3/4"	47"	M	2						
H door stops	3/4"	3/4"	22"	M	2						
I door stops	3/4"	3/4"	44"	M	2						

6 Using the Wire Pull drawing for dimensions, drill the mounting holes in the left-hand stile for the pull. (For a flush-closing door, we drilled $\frac{3}{8}$ " holes $\frac{1}{16}$ " deep on the back of the door for the screw heads. Then, we used a combination bolt cutter/wire stripper to snip $\frac{1}{8}$ " off the end of each screw so the wire pull would draw tight



WIRE PULL

to the door front.) See the Buying Guide for our hardware source.

7 Drill the pilot holes, and fasten a pair of no-mortise hinges to the right-hand door stile. Center the door top to bottom in the opening, and mark the mating hinge locations on the cabinet side. Drill mounting holes, and attach the hinges and door to the cabinet.

8 Cut the acrylic-panel stops (L, M) to size. Snip the head off a $\frac{1}{2}$ " \times #18 brad, chuck the headless brad into your portable drill, and drill pilot holes through the stops. Do not install the acrylic yet.

Complete the assembly, add the finish, and hang

1 Insert a pair of magnetic catches into the holes in the left-hand door stop.

2 Fasten the door stops (H, I) to the cabinet so when swung shut, the front of the door is flush with the front of the cabinet.

3 Close the door tightly against the catches to mark their mating position on the back edge of the door stile (K). Next, using a brad-point bit, drill a $\frac{1}{2}$ " hole $\frac{1}{16}$ " in the door stile where indented for each strike plate. Using the centered depression left by the brad-point bit when drilling the $\frac{1}{2}$ " hole, drill a $\frac{3}{32}$ " pilot hole $\frac{3}{8}$ " deep centered inside the $\frac{1}{2}$ "-diameter counterbore. Screw the strike plates in place.

4 Remove the hardware (except for the magnetic catches) from the cabinet and door. Finish-sand the cabinet assembly, back, door, and acrylic panel stops.

How to design and make your own CUSTOMIZED TOOL HOLDERS

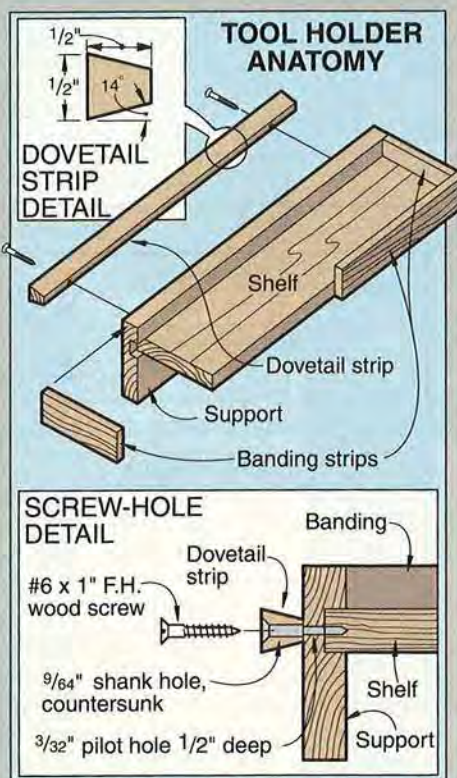
Now that you've built a cabinet or two using our IDEA SHOP wall-cabinet design, it's time to add some customized holders. But before you begin, familiarize yourself with a holder's parts.

Anatomy of a tool holder

As shown at right, we call the horizontal part that supports the tool the *shelf*. For heavier items, the shelf fits into a groove in the *support*. The *dovetail strip* attaches to the back of a shelf or support and slides between the mounting strips. The *banding strips* protect tools from falling off the front or ends of the shelf.

Make your holders to fit

To make the shelf, start by laying the item you want to store on a piece of stock. (We used $\frac{1}{2}$ "- and



$\frac{3}{4}$ "-thick maple for most shelves.) If the bottom of the tool is square or rectangular, cut the shelf about $\frac{1}{8}$ " oversize. Or, for screwdrivers, router bits, and other shanked items, cut the shelf to size, and drill holes for the tool shanks where shown on the Screwdriver Holder drawing. The distance between holes depends on the items you intend to store.

Next, add the banding strips

These should extend high enough above the shelf (usually about $\frac{1}{4}$ ") to keep the tool from being bumped off. We used banded shelves for planes, sharpening stones, drill bit index boxes, and other flat-bottomed items. If the tool's outline is irregular like that of the caliper holder on the *opposite page*, mark a portion of the tool's outline on $\frac{3}{4}$ " stock. Then, cut the outline to shape.

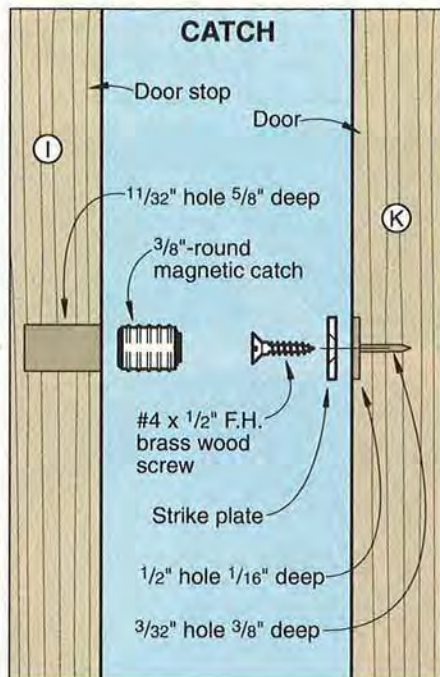
5 Mask the surrounding areas and catches, and apply a clear finish to the face strips, door stops, mounting strips, and door.

6 Mask the maple face strips (F, G), and then paint the cabinet.

7 Measure the openings, and have an acrylic panel cut to fit. Secure the panel with the stops (L, M).

8 Reattach the wire pull and hinges to the door. Reattach the door to the cabinet.

9 To mount the back (A) to the wall, locate the stud(s), and position the back. Drill mounting holes through the top and bottom of the back, centered over the stud(s). Check for plumb and level, and secure the back to the wall. Fit the cabinet assembly onto the back, and secure it to the back by driving a set of screws



through the hanger strip (E) and into the back. After you've built your organizers, remove the cabinet from the back, slide the organizers in place, and reattach the cabinet to the back.

Buying Guide

• **Hardware.** 3" polished-brass wire pull, two magnetic catches with strike plates, and two $\frac{3}{4} \times 2$ " no-mortise hinges. Kit no. 71159 (enough for one cabinet), \$7 ppd. Kit no. 71167, \$13 ppd. for two kits, and kit no. 71168, \$25 for five kits. Klockit, P.O. Box 636, Lake Geneva, WI 53147. Or, call 800/556-2548 to order. ♣

Project Design: James R. Downing;
Jim Boelling; Marlen Kemmet
Photographs: Wm. Hopkins;
John Hetherington
Illustrations: Kim Downing

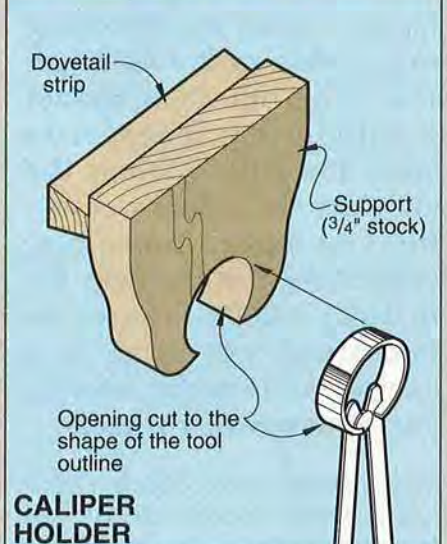
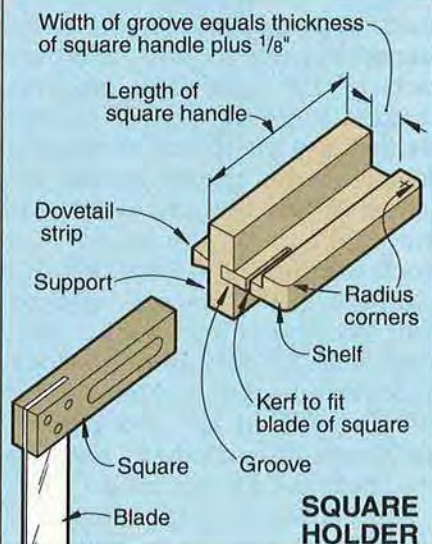
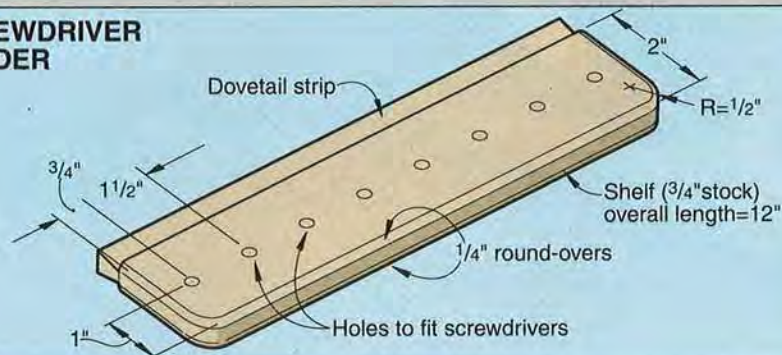
Now, add the dovetail strips

Bevel-rip long lengths of dovetail-strip stock at 14° . See the Dovetail Strip detail accompanying the drawing at left for reference. Crosscut the dovetail strips to length. Drill and countersink mounting holes in the back edge of the strip. Glue and screw the dovetail strip to the back edge of the shelf, support, or holder.

Slide the dovetail strip of the holder between the mounting strips in the cabinet back. If the dovetail strip fits too tightly between the mounting strips, sand it slightly for a smooth sliding action. Remove and finish holders.

Once dry, slide your holders between the mounting strips in the cabinet back (attached to the wall at this point). Arrange the holders as needed, secure the cabinet back to the wall. You're ready to add your tools and accessories. ♣

SCREWDRIVER HOLDER



WORKSHOP CLOCK

Plane
and
simple



Though a good woodworking project often makes us forget about time, no shop should be without an appropriate clock—for telling when the glue's dry or supper's ready. This tool-topped timepiece, designed by Jim Boelling for the IDEA SHOP, begs to be noticed and will serve as a conversation piece among your woodworking friends.

You'll need 1 1/16"-thick (also known as 3/4") stock in cherry, maple, and walnut to build the woodworker's clock.

From 1 1/16"-thick stock, rip three pieces of cherry to 3 1/16", and trim each to 12" long. Also rip and crosscut a 3 1/2 x 12" piece of maple and a 3 x 8" piece of walnut. Edge-glue the cherry boards together. When the glue dries, cut the panel to 9" square for the clock surround. Sand smooth.

Chuck a 3" Forstner bit into your drill press, and bore a centered hole 7/8" deep into the clock surround's back side. Change to a 3/8" bit to drill the shaft hole. Hand-drill an angled 1/8" hanging hole near the top on back.

Next, make the plane ornament. Transfer the patterns to your walnut, maple, and cherry stock (use

the cutoff from the clock surround for the cherry). Cut the pieces with a bandsaw (we used a 1/8" blade) or a scrollsaw, and then sand them to fit together.

Tape a copy of the pattern to a scrap piece of plywood, cover it with waxed paper, and then position the maple plane base on the pattern, pinning it in place with 4d finishing nails. Next, glue on the walnut knob and handle, followed by the maple frog and iron assembly, and the cherry thumb knob. Once dry, sand both sides, rounding over the edges.

Now, glue the plane to the top edge of the surround, offsetting it about 1/16" toward the front. For a

uniform offset, lay the clock surround faceup on the plywood, and then place $\frac{1}{4}$ " flat washers under the plane as you glue it on. Clamp the plane to the surround by pinning with 4d finish nails. Sand the assembled clock, and apply a clear oil finish. Follow with two coats of polyurethane.

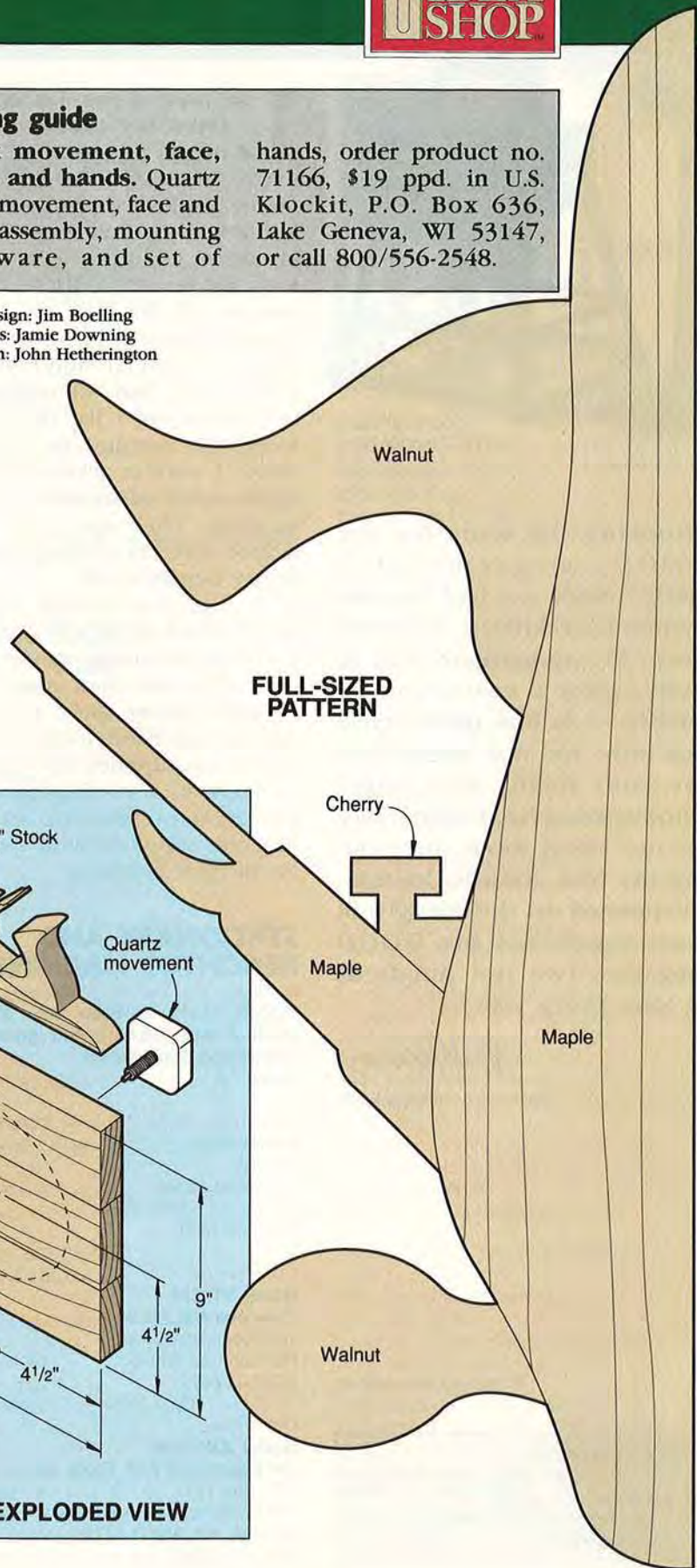
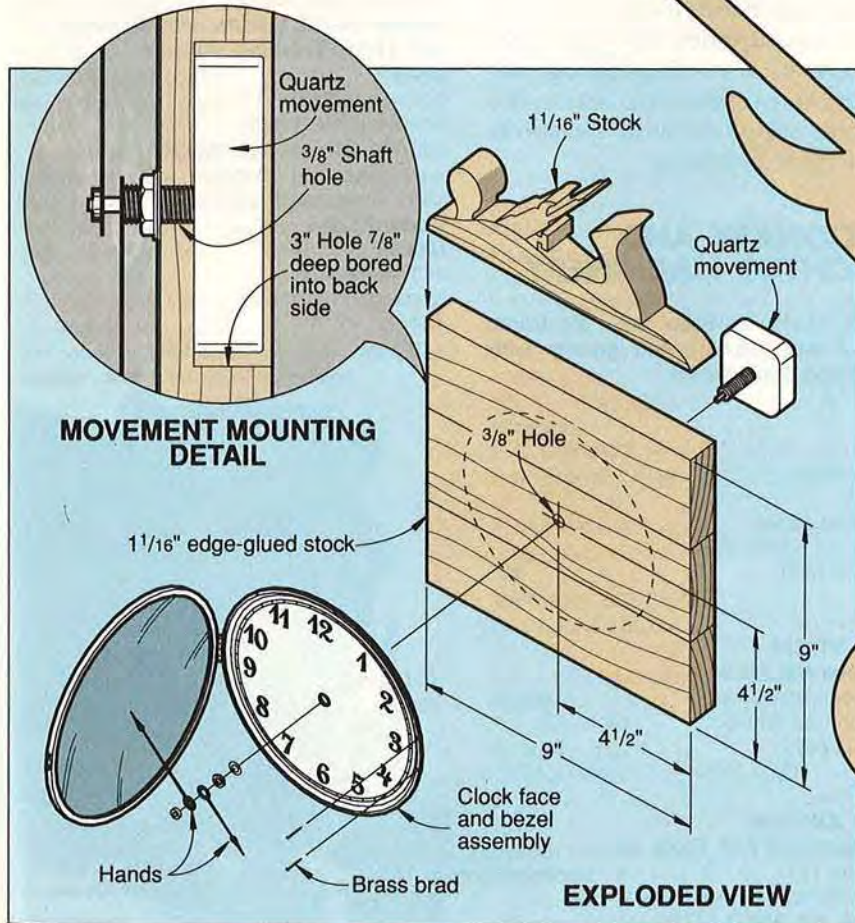
Carefully center the face and bezel assembly on the front of the surround over the shaft hole. Measure straight up from the bottom of the surround to the 3 o'clock mark and the 9 o'clock mark on the face. Rotate the bezel around the shaft hole until both measurements are the same. Hold it with masking tape. Using a light tack hammer, attach the assembly with the brass brads provided. Install the movement, put on the hands, and insert the battery. 🍳

Buying guide

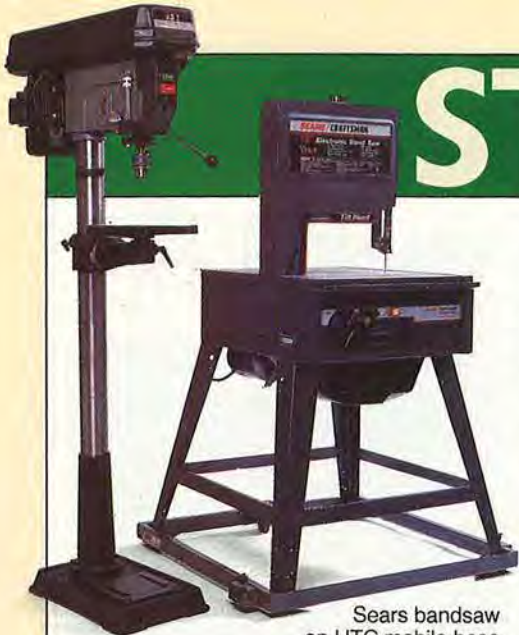
Clock movement, face, bezel, and hands. Quartz clock movement, face and bezel assembly, mounting hardware, and set of

hands, order product no. 71166, \$19 ppd. in U.S. Klockit, P.O. Box 636, Lake Geneva, WI 53147, or call 800/556-2548.

Project Design: Jim Boelling
Illustrations: Jamie Downing
Photograph: John Hetherington



STOCKED FOR



Jet drill press

Sears bandsaw
on HTC mobile base

Choosing the tools for the **WOOD**® magazine IDEA SHOP™ made me feel like the proverbial kid in a candy store. My assignment was to help select a collection of quality tools that made sense not only for our needs, but for your needs as a home woodworker. No, I didn't rely on my sweet tooth for guiding my tool choices. Instead, I depended on the many tool tests conducted for **WOOD** magazine (we test hundreds of tools every year).

Bill Kier

Products/Techniques Editor



Guide to symbols

* Visit your local Sears store or call a Sears telecatalog center.
These suppliers carry a full line of tools and accessories.

Like most of you, I've accumulated my tool collection over a period of years. Doing it this way, it never dawned on me just how many products go into a well-stocked shop. But, as I sat down to make a list of the tools for the IDEA SHOP, the immensity of the task quickly became apparent. I soon had a listing of several hundred tools, from more than 50 manufacturers! So, before I list the selected tools and supplies in the IDEA SHOP, I want to acknowledge the efforts and contributions of all our suppliers. Their speedy assistance helped make all of this possible. A hearty thanks to all!

To steer you through the tools in the IDEA SHOP, I'll first mention the stationary and benchtop machines, and then move on to portable power tools, power-tool accessories, hand tools, and miscellaneous supplies. For your convenience, I've included information on how to reach the different suppliers with questions about their products.

STATIONARY AND BENCHTOP MACHINERY

Bandsaw and bench grinder:

Models 24844 bandsaw with electronic readout and 19042 bench grinder with sharpening accessories
Sears *#

Benchtop sander (1" belt, 5" disc):

Model 1731
Dremel
4915 21st Street
Racine, WI 53406-9989
414/554-1390

Compressor:

Model VT6196
Campbell Hausfeld
100 Production Drive
Harrison, OH 45030
800/543-8622

Drill press:

Model JDP-17MF
Jet Equipment and Tools, Inc.
P.O. Box 1477
1901 Jefferson Avenue
Tacoma, WA 98401-1477
206/572-5000

Dust collector:

Model G1029
Grizzly Imports
P.O. Box 2069
Bellingham, WA 98227
800/541-5537 (west of Mississippi);
800/523-4777 (east of Mississippi)

Lathe:

Model 160-2
General Mfg. Co.
835 Cherrier Street
Drummondville, Quebec J2B 5A8
819/472-1161

Scrollsaw:

Hegner model 22V
Advanced Machinery Imports (AMI)
P.O. Box 312
New Castle, DE 19720
800/648-4264 or 302/322-2226

Sliding compound mitersaw:

Model LS1011
Makita
14930 Northam Street
La Mirada, CA 90638
714/522-8088

Tablesaw and sander:

Models 34-782 Unisaw with Unifence
and 31-730 finishing machine
Delta
246 Alpha Drive
Pittsburgh, PA 15238
800/438-2486 or 412/963-2400

Thickness planer/jointer:

Model P12RA
Hitachi
4487-E Park Dr.
Norcross, GA 30093
404/925-1774

Campbell Hausfeld
compressor

Elu plunge
router

CONVALCO
Forstner bits

Robert Sorby
turning tools

Bosch
jigsaw



SUCCESS

Our tool picks
for the IDEA SHOP

PORTABLE POWER TOOLS

Air-powered tools:

Models TL1016 straight-line sander, NB0030 finish-nail gun, TL1020 mini die grinder, DH5200 spray gun, and AT1211 sandblaster

Campbell-Hausfeld

100 Production Drive
Harrison, OH 45030; 800/543-8622

Circular saw:

Model 5657

Skil

4300 West Peterson Ave.
Chicago, IL 60646; 312/286-7330

Cordless drill:

Model EY6281

Panasonic

1 Panasonic Way 4A-3
Secaucus, NJ 07094; 201/348-5334

Cordless power tools, finishing sander, and heat gun:

9.6-volt cordless models 5090DW circular saw, 6093 drill/driver, 4300D jigsaw, 4390D reciprocating saw, DA390D angle drill, and ML900 flashlight; also, these AC-powered tools: model BO4550 ¼-sheet finishing sander and model HG1100 heat gun

Makita

14930 Northam Street
La Mirada, CA 90638; 714/522-8088

Jigsaw and ¾" electric drill:

Bosch models 1582DVS (dustless, variable speed) jigsaw and 1026 drill

See your Yellow Pages for the location of your nearest dealer.

Plunge router (medium sized), belt sander, and biscuit joiner:

Elu models 3304 plunge router, 4024 belt sander, and 3380 jointer/spliner



Sears shop vacuum

Elu jointer/spliner

Makita cordless drill/driver

Ryobi random-orbit sander

Black & Decker

10 North Park Drive, P.O. Box 798
Hunt Valley, MD 21030
800/762-6672 or 301/527-7000

Random-orbit sander:

Model RS-115

Ryobi

5201 Pearman Dairy Road
Anderson, SC 29625; 800/323-4615

Router (fixed base, medium sized):

Model 690

Porter-Cable

4825 Highway 45 N.
P.O. Box 2468
Jackson, TN 38302-2468; 901/668-8600

Shop vacuum, ½" drill, and small fixed-base router:

Models 17849 shop vacuum, 27143 drill, and 17471 router

Sears *

POWER-TOOL ACCESSORIES

Tablesaw taper jig, zero-clearance throat inserts for tablesaws, sanding belt cleaning block, and titanium-nitride coated countersinks for metalwork:

Trend-Lines

375 Beacham St.
Chelsea, MA 02150-0999
800/767-9999

Router bits, saw blades, and dado set:

Freud

P.O. Box 7187
High Point, NC 27264
919/434-8300

Forstner bits from ¼" to 2" in ⅛" increments (bits in ⅛" increments also available), and plug cutters:

Convalco

P.O. Box 1957
New Britain, CT 06050; 203/223-0076

Stickit self-adhesive abrasives, sanding belts, and flap sander:

3M

3M Center, 515-3N-02
St. Paul, MN 55144

Router speed control:

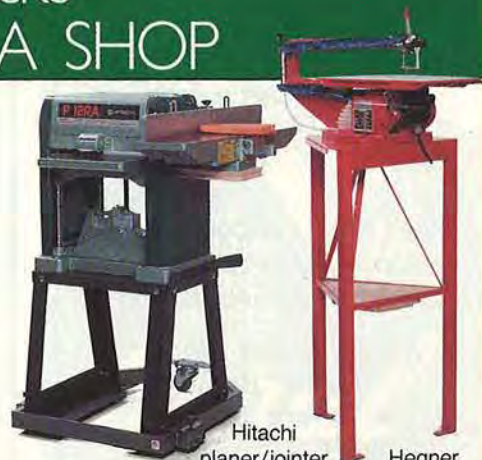
MLCS

P.O. Box 4053
Rydal, PA 19046
800/533-9298 or 215/938-5060

Safety kit (pushblocks, pushsticks, and feather board):

Shopsmith

3931 Image Drive
Dayton, OH 45414
800/543-7586 or 513/898-6070



Hitachi planer/jointer with optional stand

Hegner scrollsaw

Dial-indicator knife gauge:

Woodmaster Tools

2908 Oak St.
Kansas City, MO 64108;
800/821-6651 or 816/756-2195

Magic Mat pad for routers and sanders, and 4½" hook-and-loop abrasive discs:

Quaker State Woodworking Supply

4434 Kutztown Road
Reading, PA 19560; 800/776-5467

Mobile bases for tablesaw, bandsaw, planer, and lathe:

HTC Products

120 E. Hudson, P.O. Box 839
Royal Oak, MI 48068
800/624-2027 or 313/399-6180

Sanding drums and sleeves, shear-cutting countersinks:

Garrett Wade

161 Avenue of the Americas
New York, NY 10013-1299; 212/807-1155

Large Forstner bits (2⅞-3"), miter-cutting attachment, anti-kickback device, and Brad-point drill bits:

Leichtung Workshops

4944 Commerce Parkway
Cleveland, OH 44128-5985; 800/321-6840

Screwmate drills and countersinks, dowel jig, circle cutters, and twist drills:

Stanley Tools

Readers Response Service
P.O. Box 1146
Bellmore, NY 11710; 203/827-5237

Turning tools, Porter-Cable dovetail jig, Inkra-Jig fence system, 1", 2", and 3" sanding discs (flexed and fixed), and bowl-sanding kit:

Woodcraft Supply

210 Wood County Industrial Park
Parkersburg, WV 26102-1686; 800/225-1153

Compressed-air hose and reel:

Reelcraft Industries

2842 E. Business 30, P.O. Box 248
Columbia City, IN 46725-9987
800/444-3134

Continued

Woodworker's HARDWARE

Manufacturer's Hardware For The Home Craftsman

FREE CATALOG

Huge line of **SPECIALIZED**
Cabinet and Furniture Hardware.

- Knobs
- Pulls
- Hinges
- Drawer Slides
- Lighting
- Cabinet Accessories
- Connectors
- Locks
- Abrasives

Much, Much More!
"Dowl-It" Brand
Doweling Jig



Now \$29⁹⁵
Frt Pd. !

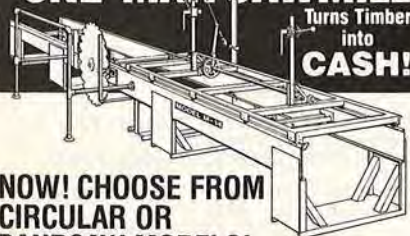
Five permanent sizes
1/4", 5/16", 3/8", 7/16" and 1/2"

Visa/MC orders only.
MN residents add 6.5% sales tax
AK, HI & Canada add \$ 10

Send or call for **FREE CATALOG**
P.O. Box 784 St. Cloud, MN 56302

1-800-383-0130

ONE-MAN SAWMILL



Turns Timber
into
CASH!

NOW! CHOOSE FROM CIRCULAR OR BANDSAW MODELS!

The Sawmill goes right to the trees and turns out smooth, true-cut lumber - even beginners get excellent results. Just one man (no crew needed) can easily cut enough on weekends to save hundreds of dollars over high lumberyard prices. Use as little as 25 horsepower. Factory-Direct selling keeps price low, and convenient time payments may be arranged.

PHONE TOLL FREE 1-800-942-4406 Ext. TW2
TIMBERKING, INC. DEPT TW2
2908 OAK ST., KANSAS CITY, MO 64108

WHAT TO MAKE WITH WOOD AND HOW



over
40 Plans
for one low price
\$6.95

includes shipping & handling

Lawn Ornaments ■ Shelves
Bird Houses ■ Picnic Tables
Porch Swings ■ Cabinets

Send check or money order to:
Pinecraft Patterns
P.O. Box 13186
Green Bay, WI 54307-3186
Wisconsin residents add 5% tax



STOCKED FOR SUCCESS

Continued from page 83

HAND TOOLS

C-clamps:

Record Tools

1915 Clements Road, No. 1
Pickering, Ont. Canada L1W 3V1
800/267-8367

Calipers, compasses, trammel point set, Japanese-style saws, wooden-handled hammers, and scratch awl:

Garrett Wade

161 Avenue of the Americas
New York, NY 10013-1299
212/807-1155

Chisels:

Freud

P.O. Box 7187
High Point, NC 27264
919/434-8300

Crescent adjustable wrenches and nippers, Lufkin tape measures, Weller soldering gun, Turner propane torch, Plumb steel hammer, and Nicholson handsaw:

Coopertools

P.O. Box 728
Apex, NC 27502; 919/362-7510

Handscrews, pipe-clamp fixtures, band clamps, spring clamps, and bar clamps:

Adjustable Clamp Co. (Pony, Jorgensen)

417 North Ashland Avenue
Chicago, IL 60622; 312/666-0040

Hotmelt glue gun and stapler: Models R550 and T50

Arrow

271 Mayhill St.
Saddlebrook, NJ 07662; 201/843-6900

Level:

Pro Smartlevel

Wedge Innovations

2040 Fortune Drive, Suite 102
San Jose, CA 95131; 408/434-7000

Planes, combination squares, try squares, Lion miter trimmer, various marking and measuring gauges, various chisels, files, rasps, various callipers, honing guide, and turning tools:

Woodcraft Supply

210 Wood County Industrial Park
P.O. Box 1686
Parkersburg, WV 26102-1686
800/225-1153



Dead-blow hammer and toggle clamps:

Trend-Lines

375 Beacham St.
Chelsea, MA 02150-0999
800/767-9999

Diamond sharpening supplies:

Diamond Machining Technology (DMT)

85 Hayes Memorial Drive
Marlborough, MA 01752
800/666-4368

Double bar clamps:

Shopsmith

3931 Image Drive
Dayton, OH 45414
800/543-7586 or 513/898-6070

Handsaw, tin snips, dovetail saw, hacksaw, scrapers, screwdrivers, nailsets, utility knife, and framing square:

Stanley Tools

Readers Response Service
P.O. Box 1146
Bellmore, NY 11710
203/827-5237

Sanding blocks, Scotchbrite pads, and sandpaper sheets:

3M

3M Center, 515-3N-02
St. Paul, MN 55144

Tap and die sets, various cold chisels and punches, and power bits:

Vermont American

P.O. Box 340
Lincolnton, NC 28093-0340
704/735-7464

Vise-Grip C-clamps, Quick-Grip bar clamps, Chesco hex- and torx-key sets:

American Tool Companies

108 South Pear Street
P.O. Box 337
DeWitt, NE 68341; 402/683-2315

Wrenches, socket sets, nutdriver set, pliers set, cordless-drill screwdriving bits:

Sears *#

MISCELLANEOUS SUPPLIES

Acrylic paints, artist paintbrushes, airbrush set, and magnifier lamp:

P.C. English #
P.O. Box 380
6201 Mallard Road
Thornburg, VA 22565
800/221-9474

Carving gouges, mallet, bench knife, in-shave, draw knife, woodcarver screws, strop, leather wheel, honing compound, water-wheel sharpener, and other miscellaneous carving supplies:

Woodcraft Supply #
210 Wood County Industrial Park
P.O. Box 1686
Parkersburg, WV 26102-1686
800/225-1153

Chip-carving knives:
Alpine School of Woodcarving
225 Vine Ave.
Park Ridge, IL 60068
708/692-2822

Enamel paints:
Rust-Oleum
11 Hawthorn Parkway
Vernon Hills, IL 60061
708/367-7700

Fire extinguishers:
Ansul Fire Protection
One Stanton St.
Marinette, WI 54143
715/735-7411

Hardware (various items ranging from nuts and bolts to threaded inserts and hinges; write the supplier for a complete listing), vix bits, acid brushes, instant glue, and anti-fatigue floor mats:
The Woodworker's Store #
21801 Industrial Boulevard
Rogers, MN 55374-9514
612/428-2199



Hardware storage bins and cabinets:

Akro-Mils
P.O. Box 989
Akron, OH 44309
216/253-5592

HVLP finish application system:
Wagner Fine Coat
1770 Fernbrook Lane
Plymouth, MN 55447
612/553-7000

Interchangeable carving-tool kit with hardwood handle:
Warren Tool Company
Rt. 1, Box 14A
Dept. PDW
Rhinebeck, NY 12572
914/876-7817

Lubricants for bearings, cutting tools, and work surfaces:
Sandaro Industries
68 Leveroni Court
Novato, CA 94949
800/999-7009

Masking tape, Super 77 spray adhesive, Just Like Wood wood putty, New Strokes disposable paintbrushes, and various disposable respirators:
3M
3M Center, 515-3N-02
St. Paul, MN 55144

Mobile Tool Cabinets:
Stanley Tools #
Readers Response Service
P.O. Box 1146
Bellmore, NY 11710
203/827-5237

Moisture Meter:
Lignomat model Mini E and Hygrometer
14345 N.E. Morris Court, P.O. Box 30145
Portland, OR 97230
503/257-8957

Moto-tool and heavy-duty flex-shaft kits:
Models 3952 and 7390
Dremel
4915 21st Street
Racine, WI 53406-9989
414/554-1390

Continued on page 87

YOU NEED THIS FREE SAMPLE OF **Saral** Wax-Free Transfer Paper Here's Why:

- Transfer your design to any surface with Saral® Transfer Paper
- Waxless and greaseless - erases like pencil with no smear
- Ink or paint over the tracing - won't skip
- Re-usable
- Available in 5 colors: graphite, white, blue, red, yellow
- Comes in Sampler and Tole Kit packages, and 12-ft. Rolls

To get your FREE SAMPLE send a self addressed, stamped business envelope to:

Saral Paper Co. Inc., Dept. W.
322 W 57th St. Suite 30-T
New York, NY 10019
212 247-0460

FREE CATALOG!

All the tools you need in one handy place.

- The "Power and Hand Tools" Sears Catalog has a huge selection of tools featuring Craftsman products—work benches, precision & wood carving tools, drill presses and more.
- Easy 24-hour ordering and fast delivery to your home or wherever you work.



Mail the Coupon below or call toll-free

1-800-366-3000

ASK FOR CATALOG # F 39 6T 33389

SEND TO: SEARS CATALOG
P.O. Box 7003, Downers Grove, IL 60515-8003

YES! Please send me my FREE "Power and Hand Tools" Sears Catalog # F 39 6T 33389

Name _____
Address _____ Apt. _____
City _____
State _____ Zip _____
Phone () _____

Satisfaction Guaranteed or Your Money Back
Offer Expires January 31, 1993.
© 1992 Sears, Roebuck and Co.

One Stop Wood Shop

Domestic and exotic hardwood plywood and lumber, marine plywood, over 30 species in stock—all under one roof. Custom cutting services to your exact specifications with little or no waste at competitive prices! We specialize in bundling and shipping.

Call (617) 666-1340 today for catalog and quote.

Boulter Plywood Corp.
24-WD Broadway, Somerville, MA 02145



RESTORE FURNITURE for SECURE INCOME Perfect 2nd Career

Make \$200-\$2,000 a day! Unlimited market; turn-key business. Free workshops. Set-Up Shop for \$2,999-\$9,999! Part-time or full-time. Great for men, women, families.

Make Molds*Veneer*Resilver Strip*Repair*Refinish

Business Preview Video \$19.95 - Catalog \$2.00

MINUTEMAN, INC., Ste. 17
Box 8, Waterloo, WI 53594
1-800-733-1776



Wood Moisture Meter

pocket-size
MINI-LIGNO
Range: 6-20%
in 1% steps
Size: 1"x2¼"x5½"

\$110
only

Including Case, Battery, Pins for 3/16" or 7/16" measuring depth.

Also available as Mini E, 6-36%

Lignomat USA Ltd.
503-257-8957 800-227-2105

P.O. Box 30145
Portland, OR 97230



The Woodturners Catalog

Craft Supplies USA offers the finest selection of woodturning tools and accessories anywhere.

- Woodfast Lathes
 - Carbatec Mini Lathe
 - Henry Taylor Tools
 - Dale Nish Workshops
- Send \$2.00 for your 48 page color catalog. Refunded with order.



Craft Supplies USA
1287 E 1120 S
Provo UT 84606

In a hurry?
Call (801) 373-0917

Quickest Way to Round Edges

Actual size is 7"x2"x1"



At last, a simple hand tool that quickly and precisely rounds over sharp edges! Choice of bodies in Rockmaple or Blackwalnut. Radi-Plane Professional Edge finishing tools. Call 800-326-5415 for dealer nearest you.

Made in the U.S.A.

L.A. Mathers Co.
Stockton, CA

RADI-PLANE



The Portable Sawmill.

The "affordable portable" one man band sawmill. Weighs only 45 lbs. Cuts 20" diameter logs into lumber. Minimum 1/8" to maximum 9" thickness.

Write or call for free brochure.



Better Built CORPORATION

(508) 657-5636
845 Woburn Street, Dept. W, Wilmington, MA 01887

BUILD THIS PIERCED TIN PIE SAFE

Order Kit K2B ppd. \$47.95 (PA res. add tax)

Kit contains plans for wooden cabinet (54" h x 32" w x 12" d) Eight pcs. tin (+ a practice piece), Lamppmakers chisel & punch, full assembly & cutting directions for cabinet plus 3 sets of different patterns for tin piercing. Metal piercing and finishing how-to's complete package.

OR...order the set of finished panels (set of 8) shown and get the plans, cutting & assembly instructions FREE! Order Kit K2B-1 \$125.50 ppd.

Catalog features over 70 pgs. of pierced tin panels & supplies for the do-it-yourselfer only \$5.00. Sample swatch pack includes 14 "mini-panels" of different metal finishes we offer together with catalog \$15.95 ppd.

Pierced tin is our business—custom work our specialty!

Since 1979 **COUNTRY ACCENTS**
P.O. Box 437, Dept. W, Montoursville, PA 17754
MasterCard/VISA \$15.00 min. (717) 478-4127 M-F 9-4



Save Thousands Buy Factory Direct

20 x 30 25 x 40 30 x 50 35 x 60

Build your workshop.



CALL NOW FOR 40% SAVINGS. FREE SIX MONTHS STORAGE

800-888-4606

Transform your angle grinder into a Random Orbit Sander.

The Marshco Random Orbit Sanding Head fits onto any 4"-5" angle grinder allowing you the speed of a disc or belt sander and the control of an orbital sander. This powerful sanding head combines orbital and spinning action at 10,000 orbits per minute leaving you with no cross grain scratch, swirl or hook marks and no corner edge round-off. The exclusively patented Marshco Random Orbit Sanding Head has rugged ball-bearing construction and adapts to any surface. Suggested retail:

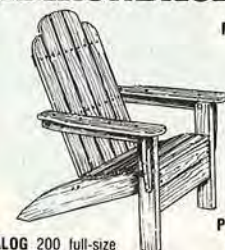
\$59.95

+\$3 shipping and handling. Visa and Mastercard accepted. When placing order, indicate make, model or thread size. Dealer inquiries invited.

Marshco
PRODUCTS, INC.

RFD 2 Box 490 • Brooks, Maine 04921 • (207) 722-3523

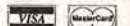
Full-Size Professional Plan ADIRONDACK CHAIR



Make this classic American design. Our special version may be folded for storage by using ordinary hardware available at your local store. Be ready for Summer and get your plan now!

Plan #700 \$14.00 (catalog free with order)

CATALOG 200 full-size professional furniture plans — \$3.00



FURNITURE DESIGNS, INC., Dept. BA-92

1827 Elmdale Ave., Glenview, IL 60025

(708) 657-7526

STOCKED FOR SUCCESS

Continued from page 85



Black & Decker Workmate 300

Sentry fire extinguisher

Justrite oily-waste can

Elmer's wood filler

Elmer's woodworker's glue

Formby's wiping stain

China-bristle paintbrushes

Watco Danish oil finish

Portable Mastercarver power rotary and reciprocating set and accessories, Detail Master woodburner and tips, riffler files, and power-arm work positioner: Wood Carvers Supply #
P.O. Box 7500-G
Englewood, FL 34295-7500
800/284-6229

Safety equipment for hazardous materials (storage cabinet for finishing products, oily-waste can, Cease-Fire waste receptacle, and dispensing cans for flammable liquids):
Justrite Manufacturing
2454 Dempster Street
Des Plaines, IL 60016
800/798-9250

Stains, clear polyurethane finish, refinishing supplies, and tung oil:
Formby's
825 Crossover Lane,
Building C, Suite 240,
Memphis, TN 38117
800/367-6297

Woodworker's glue (dark, yellow, and white), and wood filler:
Elmer's
Consumer Response Dept.
180 E. Broad St.
Columbus, OH 43215-3799
614/225-4511

Woodworker's vise:
Columbian model 10RD
Warren Tool Group
11900 Winrock Road, P.O. Box 68
Hiram, OH 44234
216/569-3224

Workmate portable work support:
Black & Decker
10 North Park Drive, P.O. Box 798
Hunt Valley, MD 21030
800/762-6672 or 301/527-7000

Photographs: John Hetherington

Make The First Call The Right Call!

DELTA

22-540
12", Portable
Planer w/Dust
Collector Chute
\$409

40-640 20" VS scroll saw 329
43-505 router/shaper 275
11-090 radial drill press 289
46-700 12" w/wood lathe 429
28-180 bench handsaw 169
23-700 wet/dry grinder 159
11-950 8" bench drill press 145
40-560 16" 2 sp. scroll saw 184

freud

JS100
Jointing System
W/Case & 500
Assorted Biscuits
\$179

JS100 jointing sys. w/case 164
FRT-2000 wdn router table 169
FT-2000E 3.25 vs pl. router 209
EB-100 edge banding sys. 229

PORTER-CABLE

333 NEW!
Quicksand™, 5"
Dustless Random
Orbit Sander
\$78

332 5" Quicksand PSA sdr 68
352VS 3x21 vs belt sdr w/c 164
7116 24" Omni jig w/video 319

9853 NEW!

12 V, 3/8" VSR,
2 Speed Drill Kit
w/Keyless Chuck
\$149

9852 12v, 3/8", 2sp kit 149
7334 random orbital sdr 127
7335 5" VS random sander 137
7336 6" VS rdm sander 143

***FREE dust collector w/above sdr**
97310 laminate trimmer kit 188
352 3x21 sander with bag 138
360 3x24 sander with bag 184
362 4x24 sander with bag 189
555

Plate Joiner

With Case & 500-
Assorted Biscuits
\$184

555 plate joiner w/case 169
7537 2-1/2 D hndl router 209
9345 6" saw boss kit 124
7549 top handle VS jig saw 144
7539 3-1/4hp pl. router 265
690 1-1/2 HP router 134
691 1-1/2 hp D hdl router 144
7518 3-1/4 hp 5sp router 265
7538 3-1/4 hp pl. router 224
9637 elec. vs tiger saw kit 139
693 1-1/2 hp plng routr w/cs 169
6931 plunge router base 78

401P

Hardwood
Floor Nailer
\$189

501 floor face nailer 189

DEWALT

1707
8-1/2" Compound
Mitre Saw
\$369

1765 belt/disc sander 449
7770-10 3.5 hp 10" rad. saw 899

Makita

LS1011
10" Compound
Mitre Saw
w/C.T. Blade
\$439

3612BR 3 hp plunge router 165
9820-2 blade sharpener 195
6095DW 3/8" w/klss chuck 139
5007NBA 7-1/4" saw w/e. br 129
2708W 8-1/4" table s. w/bl. 264
2012 12" planer w/dust cht 469

Panasonic

EY571BC
9.6 V Drill
w/Case &
2 Batteries
\$149

EY6205BC 12v.VSR dr w/cs 179

HITACHI

C8FB
8-1/2" Compound
Mitre Saw
\$439

P12RA 12" planer/6" jointer 929
P12R NEW 12" port. planer 729
D10DFK VSR drill kit 139
C15FB 15" mitre saw 379
C10FA 10" mitre saw 269
C7BD 7-1/4" saw w/case 129
M12V 3-1/4 hp VS pl. router 224
TR12 3 hp plunge router 169

JET

JBS-14CS
14" Wood
Bandsaw
\$449

JDP-17MF17" floor drill press 399
JJ-6CS 6" long bed jointer 449
DC-610 1 HP dust collector 229
DC-1182 dust collector cfm 439
JTS-10JF 10" saw w/Jet fnc 519
JWP-15H0 15" planer 3 hp 1199

Milwaukee

0403-1
12 Volt VSR
Cordless Kit
W/Keyless Chuck
& 2 Batteries
\$169

0399-1 12v VSR cdl's dr kit 159
0234-1 1/2" VSR magnum 129
6368 7-1/4" saw w/bl,cs, fnc 139
6256 VS top handle jig saw 139
6527 NEW vs super sawzall 165
6125 5" r. orbital sander 129
5371-1 1/2" hammer dr. kit 185
5397-1 3/8" hammer dr. kit 139

Porta-Nails

401P
Hardwood
Floor Nailer
\$189

501 floor face nailer 189

DEWALT

1707
8-1/2" Compound
Mitre Saw
\$369

1765 belt/disc sander 449
7770-10 3.5 hp 10" rad. saw 899

Emglo

AM78-HC4V
1-1/2 HP Vertical
Twin Tank
\$319

AM99-HC4V New 2hp tw tkn 389
AM99-HC4 2hp twin tank 379
AM78-HC41-1/2hp twin tank 309
AM39-HC4V3/4hp v twin tank 299
0453/8" x 50" Goodyear hose 20

DEWALT

1707
8-1/2" Compound
Mitre Saw
\$369

1765 belt/disc sander 449
7770-10 3.5 hp 10" rad. saw 899

Emglo

AM78-HC4V
1-1/2 HP Vertical
Twin Tank
\$319

AM99-HC4V New 2hp tw tkn 389
AM99-HC4 2hp twin tank 379
AM78-HC41-1/2hp twin tank 309
AM39-HC4V3/4hp v twin tank 299
0453/8" x 50" Goodyear hose 20

PERFORMAX S/T

Per-ST100
Radial Saw
Surface Sander
\$289

Pro stand 349
Powered attachment 319
Pro Max II stationary sander 1489
Super Max stat sandr 2269
Super Max-25 drum sander 2749

The Accu-Miter

Precision
Mitre Gauge
\$149

Complete Line In Stock!

Elu

3338
2-1/4 HP
Electronic VS
Plunge Router
\$259

3380 jointer/spliner w/case 249

PONY AIR

LPN672
Air Palm Nailer
With Glove
\$94

Drives 6d-50d nails!

POWERMATIC

1791000
63 Artisan Saw
W/Vega Fence
\$699

1660760 66 saw/50" Bies 1699*
1791050 6" jointer w/stand 499
1791060 14" bandsaw w/std 599
1791070 1-1/2hp dust col. 399
*Price includes Coupon

DELTA

34-782
3 HP Unisaw
w/Unifence
& Motor Cover
\$1599

34-763 3hp Jet-Lock uni 1449*
34-761 1.5hp Jet-Lock uni 1199*
34-445 10" c. saw w/fence 769*
34-444 10" contractors' saw 619
34-330 8-1/4" bench tbl saw 229
33-990 10" radial arm saw 599
28-283 14" 3/4hp band saw 685*
33-055 8-1/4" Sawbuck w/lgs 589
43-375 3 hp 2sp hd shaper 1499*
22-662 13" planer w/stand 1179
31-730 6" belt/12" disc sdr 999*
37-350 8" jointer w/stand 1349*
40-601 18" V.S. scroll saw 749

36-220

10" Compound
Mitre Saw
\$238

14-600 hlw chisel mortiser 449
50-180 1 hp dust collector 418
50-179 3/4 hp d. collector 338
34-897 50" Delta unifence 289
34-915 30" Delta unifence 229
32-100 plate joiner 269
36-755 10" cabinet saw 949
43-355 1-1/2 HP 3/4" wood 729
37-280 6" motorized jointer 399
34-080 10" mitre saw 199
*Price Includes Rebate

SKIL

2736-04
12 V, 3/8" VSR
Keyless Drill Kit
W/2 Batteries
\$134

7484 5" random orb. sander 99
1605 NEW plate joiner w/cs 119
77 7-1/4" worm drive saw 139
5660 8-1/4" 60° pro bevel s 139
58608-1/4" 60° rafter master 169

BLACK & DECKER

2694
7-1/4" Super
Sawcat W/Brake
& Case
\$139

2695 8-1/4" sawcat w/br. & cs 149

WEDGE

SL224 NEW!
24" Rail
w/Module
\$54

SMARTLEVEL

SMRP2 2 pro rail w/mod & cs 94
TR-2 2" level w/mod & cs 104
PR4 4" Pro Rail w/mod & cs 114
PR78 78" Pro Rail w/mod & cs 148

BOSCH

1581VS
Top Handle
Jig Saw w/Case
& 30 Blades
\$184

1582VS barrel grip jig saw 134
1582VS barrel grip C/c jig s 134
1632VSK VS recip saw kit 140
3051VSRK3/8kyls kit w/2 bat 139
3258 3-1/4" power plane 128
1615EVS 3-1/4 vs pl router 259
1615 3 hp plunge router 229
1604 1-3/4 hp router 129
1370DEVSK 6" r. sander kit 269
3283DVS 5" random sander 95
3283DVSK 5" r. sander kit 124
3272 3-1/4" planer 4.2 amp 89
11212VSR 3/4" SDS rt. hmr 195

RYOBI

BT3000
10" Sliding
Table Saw
\$549

AP10 10" portable planer 358
BE321 3x21 VS belt sander 128
JM100K NEW plate joiner 209
TFD220VRK 12vcdls kit/2bat 169
RE-600 3hp vs pl. router 209
JP-155 6-1/8" jointer/planer 299
RA-200 8-1/4" rad. arm saw 239
TS254 10" m. saw w/c.t. bl 209
RS115 random orb. sander 74

DAVID WHITE

LP6-20
20X Sight
Level Package
\$199

ALTP6-90018 a. level trans pk439
ALB-22 22 x auto level 425
LT6-900 20 x level transit 449
LT8-300 26 x transit 249
LT8300P 26 x opt. transit 529
ALT6-900 18x a. level transit 389

SKIL

2736-04
12 V, 3/8" VSR
Keyless Drill Kit
W/2 Batteries
\$134

7484 5" random orb. sander 99
1605 NEW plate joiner w/cs 119
77 7-1/4" worm drive saw 139
5660 8-1/4" 60° pro bevel s 139
58608-1/4" 60° rafter master 169

BLACK & DECKER

2694
7-1/4" Super
Sawcat W/Brake
& Case
\$139

2695 8-1/4" sawcat w/br. & cs 149

WOOD Sept. 92

1-800-358-3096
Box 1716 • Grand Forks, ND • 58206
Send \$3.00 For 208 Page Catalog

FAX US YOUR ORDER!
1-701-746-2857

FEDERAL EXPRESS

TOOL CRIB
OF THE NORTH
DIVISION OF

FREE FREIGHT IN 48 CONTIGUOUS USA • SAME DAY SHIPPING • ERRORS AND PRICES SUBJECT TO CHANGE

THE NEW RYOBI BT3000



Smart engineering in a small tablesaw

I have to admit that when I first saw the Ryobi BT3000 10" Precision Woodcutting System I didn't think it would amount to much. After all, I've tested nearly every benchtop tablesaw on the market, and all of them have shortcomings. Well, this machine thoroughly impressed me. Here's what I found in my testing:

• **Assembly and adjustments**

The machine comes with an informative videotape and a clearly written 44-page operating manual. I had the machine up and running in less than an hour. The fence and sliding table were accurately adjusted at the factory.

• **Versatility**

Here is where this machine really shines. It has three tables: the main, fixed table directly above the blade, a sliding miter table that normally mounts to the left of the main table, and an accessory table to the operators' right that holds a router or jigsaw.

The smooth-operating sliding table helps you make controlled, precise, and safe crosscuts, even on large pieces of stock. With the table pulled completely forward,

you can crosscut workpieces up to 16" wide. The table has large degree-of-miter scales cast into it for accurate angled cuts.

By pulling up on levers at the back and front of the table (see photo *below*), you can quickly lift off and move the sliding table to



the other side of the machine and use it in conjunction with a router mounted in the accessory table.

• **The fence**

Here's an area where most benchtop saws fail miserably. The BT3000 didn't. Its extruded-aluminum fence locks securely to the front and rear rails for rock-steady rip cuts. The front rail has a built-

in scale, so you can make precise rip cuts time after time without using a tape measure. The machine has 24" of ripping capacity to the right of the blade, and 10" to the left. You can reverse these capacities by simply releasing thumb locks and sliding the rails fully to the left. The rails even have a second set of scales for this application.

• **Power train**

My examination of this tool's underside revealed that its beauty goes more than just skin deep. The 13-amp.-rated universal motor is mounted on a sturdy, cast-aluminum support mechanism. The motor's power steadily transfers to a bearing-mounted drive shaft via two flat timing belts. The machine was surprisingly quiet considering its universal motor.

The saw's standard-equipment, carbide-tipped blade (made by Freud), raises 35/8" above the table surface, so you can cut a 4x4 in a single pass. In my tests, the saw easily ripped a 2x4 on edge, even at a fast feed rate.

• **Dust collection**

Most tablesaws make effective dust collection nearly impossible,



but the BT3000 has this problem under control. A shroud surrounds the underside of the blade and channels the dust into a port that tilts as the blade tilts (see photo *above*). Without a vacuum, the machine spews debris into a neat pile behind the saw, but sends fine dust into the air. With a vacuum, almost no dust escapes.

I advise against purchasing the optional dust bag. In my tests, the bag quickly clogs with dust at its inlet. When I asked Wayne Hill of Ryobi about this problem, he told me that his company plans to correct this shortcoming by offering accessory plastic zero-clearance inserts for the blade opening. These inserts form a tight opening around the blade, so none of the air movement generated by the machine's motor is lost through the blade slot.

• **Accessories**

To make this machine even more versatile, you can buy plenty of optional accessories including a metal stand, miter-clamping kit, dado throat plate, router and jig-saw mounting kit, wide-table kit, and long miter/rip fence kit. I tried all of these accessories, and they all worked fine. Wayne Hill told me that Ryobi plans to also introduce a mortise-and-tenon kit and router-table plates for holding routers other than Ryobi's RE600.

I could go on and on about this machine's virtues, but you really have to get down to a Ryobi dealer to try one out for yourself. It's definitely worth a test drive.

• **My only reservation**

Initially, I was concerned about the machine's many plastic parts at the wear points of adjustable components. For example, the slide blocks and adjusters on the sliding table, and the locking tabs on the rip fence, are all plastic.

Wayne Hill responded to my concerns by saying that none of these parts wore out in Ryobi's own 100-hour test. And, the cost of replacing these parts won't hurt your billfold much. For example, the sliding table requires four sets of miter-table slides costing 52¢ each (\$2.08 for all four sets).

—Tested by George Granseth

Ryobi BT3000 10" Precision Woodcutting System, under \$600 at Ryobi dealers. For more information, call Ryobi at 800/323-4615 or 803/226-6511.

**STORAGE BUILDINGS
WORKSHOPS & MORE
MANUFACTURER DIRECT
LIMITED OFFER**



**EASY DO-IT-YOURSELF CONSTRUCTION
PACKAGES INCLUDE STEEL
FRAMES, SHEETING AND HARDWARE**

30 x 36
Value \$6,181
NOW \$3,169

36 x 48
Value \$9,763
NOW \$5,016

40 x 60
Value \$13,942
NOW \$7,293

46 x 72
Value \$18,875
NOW \$10,316

Some Other Sizes Available



**1-800-843-8275
FAX 612-544-1835**

Made in America

WM

**Organize and Protect your copies
of WOOD®**

Now there's an easy way to keep copies of WOOD® protected, organized, and close at hand when you want to reread an article.

Designed exclusively for WOOD®, these custom-made titled slipcases and binders are sized to hold 12 issues. Each binder and slipcase is manufactured from reinforced board covered with durable



leather-like material in spice brown. WOOD® is hot-stamped in gold on the spine of each. We include free personalization foil if you care to add indexing by year. Slipcases are V-notched for easy access; binders have special spring mechanism to hold individual rods which easily snap in.

Quantity	PRICES	
	Slipcases	Binders
One	\$ 7.95	\$ 9.95
Three	\$21.95	\$27.95
Six	\$39.95	\$52.95

**CREDIT CARD
ORDERS CALL
TOLL FREE
1-800-825-6690**

Add \$1 per case/binder postage and handling. Outside USA add \$2.50 per case/binder. (U.S. funds only.) Pennsylvania residents, add 7% sales tax.

Order Form
Please send me _____ slipcases; _____ binders for WOOD® Magazine.
 Enclosed is my check for \$ _____
 Charge my purchase (Minimum \$15) to:
 American Express MasterCard VISA
Account No. _____
Signature _____
Exp. Date _____
Send my order to: (Please Print)
Name _____
Address _____
(No P.O. Box Numbers Please)
City _____ State _____ Zip _____
Mail this order form to: **WOOD® Magazine**
Jesse Jones Industries
Department WD
499 East Erie Avenue
Philadelphia, PA 19134
SATISFACTION GUARANTEED

**The Ultimate
Woodworking
Tool.**



*The Woodworkers' Store
New! 1992-93 Catalog
Over 150 new, hard-to-find items!*

Yes! Send me the next four issues of The Woodworkers' Store catalog for only \$2/year.

Name _____
Address _____
City _____ State _____ Zip _____

The Woodworkers' Store
Dept. 23112
21801 Industrial Blvd.
Rogers, MN 55374
Credit card orders
(612) 428-2199

**STAINED GLASS
VIDEO & CATALOG**



**Improve the
Looks and
value of your
home with:**

- Entry doors & sidelights
- Kitchen cabinet inserts
- Tiffany lampshades

**Save money and make it yourself -
Delphi shows you how!**

Make Your Own Custom Stained Glass...

The perfect way to get started in stained glass. Our 25-minute video covers all the basics: Scoring, breaking, foiling, and soldering. Filled with clear and simple instructions, hints, close-ups, and examples to help you craft your own stained glass windows, lamps, and more. VHS only.
#6149VW...\$10.95 + \$3.00 shipping/hand.

A \$10.95 rebate is applied to your next order. If you don't wish to purchase, just return the video for a prompt refund, but keep the 80-page color catalog.

To Order - Call Toll Free: 1-800-248-2048



**DELPHI
STAINED GLASS**

2116 E. Michigan Ave.
Lansing, MI 48912

PICNIC TABLE BUSINESS



Make \$30.00 to \$40.00 an hour
Selling Picnic Tables from your yard!

COMPLETE PLANS FOR SIX PICNIC TABLES

- 6' & 8' With Benches Attached
- 6' & 8' With Separate Benches
- 4' Childrens Table
- 51" Round Table w/4 Benches

\$29.96
PLUS
\$2.50 S/H

Package Includes Plans for all Six Tables — Plus:

- Methods of Assembly & Const.
- Suggested Pricing
- Jig Plans for Faster Assembly
- Delivery Ideas
- Sales & Marketing Strategies

Benefit from 10 years exp./over 1000 Tables Sold

Send check or money order to:

Weber Woodworking
3177 Latta Rd., Suite #406
Rochester, NY 14612-3092

NY RES. ADD
\$2.27 TAX

Wood-Mizer

World's Largest Manufacturer of Portable Sawmills

Own a Sawmill!

Start a Profitable Business!

Save money cutting your own lumber, make money cutting for others.



1-800-553-0219

32 Page Full Color Catalog - \$2.00
66-minute demonstration video - \$10.00
MasterCard or Visa accepted

8180 West 10th Street • Dept. QQ63
Indianapolis, Indiana 46214-2400

FUN • PROFITABLE WOODCRAFT FULL SIZE PATTERNS

Check the Packets of Interest to YOU!

- 125 pattern **Beginner's Bonanza** & "Shop Secrets."
- 100 **yard ornaments** animals, birds, signs, more!
- 40 "Great Gifts" projects for fun and profit.
- 25 fun, profitable "wind-action" whirligigs.
- Show stoppers** - 22 craft show top-sellers!
- Country Critters** - 100 patterns, decorative projects!
- Enjoyable **Country Shelf** assortment PLUS options.
- Decorative **Wishing Well/Planter** - 6 feet tall.
- Attractive **Dutch Windmill** - 5 feet tall.
- Halloween** yard witch, ghost, skeleton, much more!
- Thanksgiving** yard pilgrims, Indian, turkey, more!
- Yard Santa**, snowman, soldier & candle - 3 feet tall.

Fast Service • Satisfaction Guaranteed

Send \$8.00 per packet. Pick 3 for only \$18.00

Order By Mail or Fax - MC/Visa - 24 Hour Fax (603) 332-4579

ACCENTS, Dept. MA92, Box 7387, Gonic, NH 03839

WOODCRAFT CATALOG - \$2.00 (Free with order)

Quality

EXOTIC LUMBER

Figured Domestic Turning Wood
Exceptional Quality
Personal Friendly Service

Whether you are a Beginner or Professional, We welcome your inquiries

Call or Write.

BereaHardWoods.co.

125 JACQUELINE DRIVE • BEREA, OHIO 44017
216-243-4452

WOODWORKER'S CATALOG

Over 4000 products to **BUILD, REPAIR, RESTORE, REFINISH** anything made of wood!

It's the catalog woodworkers rely on - 116 pages jam-packed with fine woods, veneers, tools, finishing supplies, and much more—all top quality, all reasonably priced, all with our 60-day no-questions-asked guarantee. For your 2-year subscription send \$1.00 to:



2 year subscription **Only \$1.00**



CONSTANTINE

Serving Woodworkers for 180 years

2050 Eastchester Rd., Dpt. 35209, Bronx NY 10461

Lie-Nielsen TOOLWORKS INC.

Route 1, Warren, ME 04864 1-800-327-2520



Low Angle Bronze Block Plane \$75
Free Brochure of Heirloom Quality Tools

ATTENTION TABLE SAW OWNERS

"The Original Jimmy Jig" (Patent applied for) The ultimate, innovative, new concept in Table Saw Extension Platforms, Universal Table Top Jig, a one-piece unit that rips and crosscuts any size from 4'x8' or oversize sheet material to 53" rip width. No extensions or large support tables req'd. A one-man operation, lightweight 20 lbs., portable, removable and adapts to all table saws incl. bench top models. Ideal for const. sites, on the job, and workshops. Costs \$35 to construct. 1-(604) 723-3074

INVENTED, TRIED & TESTED BY A MASTER CARPENTER
For plans, send cheque or money order for \$39.95 U.S. payable to:

J.&D. McCOMBIE
c/o MAIL-O-MATIC SERVICES LTD.
2720 South Engilton Ave.,
Burnaby, B.C. Can. V5C 5X4

WOOD TOY

- ★ Patterns
- ★ Parts
- ★ Wheels
- ★ Many New Patterns to Choose from.
- ★ Executive toys

SEND \$1.00 FOR NEW CATALOG & RECEIVE COUPON FOR FREE WHEELS & AXLE PEGS.



toys and joys

Box 628W Lynden, Wash. 98264



MIRRORA®

THE HAND MIRROR COMPLIMENT

PERFECTLY BEVELED MIRROR

FLORAL

Glass & Mirror, Inc.

895 Motor Parkway, Hauppauge, NY 11788
516/234-2200 • 800-647-7672

Breathe Easier!



Powered Air Respirators for Wood Dust

\$329 Model AGHI

Excellent for all woodworking jobs which create "DUST." Also offers eye protection. Can be worn with beard and glasses. Systems also available for paint and lacquer fumes.

AIRSTREAM DUST HELMETS

Hwy. 54 South, Elbow Lake, MN 56531
Toll Free 1-800-328-1792 or 218-685-4457

PLAYHOUSES

Victorian or Longbranch



Send \$21.95 for plan or \$37.95 for plan & video (includes shipping). Also helpful construction hints. Specify style - Send \$4 for 15 extra designs

THE OLD REBEL WORKSHOP
P.O. Box 1983, Warner Robins, GA
31099 (912) 929-2574

BRUSS

SQUARE DRIVE LO-ROOT FEATURES ZINC PLATED

ITEM CODE	SIZE	100 PKG.	500 PKG.	1000 PKG.
FH17	8X3/4	\$2.10	\$7.90	\$13.20
FH18	8X1	\$2.80	\$10.45	\$17.40
FH20	8X1-1/4	\$2.50	\$9.50	\$15.87
FH21	8X1-1/2	\$3.00	\$11.40	\$18.95
FH22	8X1-3/4	\$3.20	\$12.05	\$20.10
FH23	8X2	\$3.45	\$12.90	\$21.50
FH25	8X2-1/2	\$4.50	\$16.80	\$28.00

TO ORDER SEND CHECK OR MONEY ORDER. ADD \$4 FOR SHIPPING AND HANDLING IN CONTINENTAL U.S. IF ORDER TOTALS LESS THAN \$50. MICHIGAN RESIDENTS ADD 6% SALES TAX. CATALOGS FREE WITH FIRST ORDER, OR SEND \$2 TO:



ORDERS MON-FRI 7AM-5PM



1-800-536-0009 • SERVICE 616-243-9412

BRUSS FASTENERS DIVISION OF ICC
P.O. BOX 88307, GRAND RAPIDS, MI 49518-0307

KNIFEMAKING PROJECTS



APACHE HUNTER KIT

21⁹⁵

+ 5.95 Shipping

PRE-SHAPED BLADES and step-by-step instructions make knifemaking fun and easy! Material and tool lists are included with each project kit. Our 68-page catalog of hard to find tools, polishing supplies and other unique items includes more than 85 PRE-SHAPED BLADES, handle materials, and other knifemaking supplies. Order today and we will include our KNIFEMAKING PROJECTS booklet FREE! Send \$3.00 for catalog and booklet to:

JANTZ SUPPLY

309 W. Main Dept. W Davis, OK 73030

1-800-351-8900



Diamond Whetstone™

- **Save Time** — Avoid send out grinding.
- **Save Carbide** — Do your own professional sharpening.
- **Save Money** — Pay for your stone in a few sharpenings.

6" x 2" Diamond Whetstone \$46.00
8" x 2 1/2" Diamond Whetstone \$75.00

Specify:
Fine, Coarse
or X-coarse

Add \$2.50
shipping &
handling

Major
Credit
Cards

DMT DIAMOND MACHINING
TECHNOLOGY, INC.
Dept. WD52
85 Hayes Memorial Dr.
Marlborough, MA 01752



Ask for it at your favorite Hardware Dealer

FREE FREIGHT
SAME DAY SHIPPING

Makita **NEW!**

DA391D **SALE \$99.00**
9.6 V Var. Speed,
Cordless Angle Drill. List \$153

BO5000 5" Random Orbit Sander	\$69
6510LVR 3/8" VSR Drill 0-1050	\$79
5007NB 7 1/4" Circ. Saw w/Free Tape Rule	\$113
6095DW 9.6V CdIs VSR Drill Kit w/Keyless	\$138
LS1030 10" Miter Box 12A Motor	\$219
2708W 8 1/4" Table Saw	\$268
2012 12" Surface Planer	\$478

Complete Line at the Right Price!
1-800-262-5482
That's 1-800-2-MAKITA

HOME LUMBER CO.

449 WHITEWATER ST., WHITEWATER, WI 53190 C.O.D.

SQUARE DRIVE SCREWS

Simply the Best!

- Square Drive Beats Driver Slippage
- Hardened Steel for Extra Strength
- Deep Thread for Super Grip
- Also Brass and Stainless

Send \$3 for Samples and Catalog

McFEELY'S SQUARE DRIVE SCREWS

P.O. Box 3 • 712 12th St
Lynchburg • Va • 24505
Toll Free 1-800-443-7937
or FAX (804) 847-7136

Van Dyke's

Presents a **Catalog**
with supplies for upholstery, antique restoration, wood working, caning, brass hardware, carvings and many related trades!

36 Years in Creative Arts & Trades

Many Hard-To-Find Items!

SEND \$1.00 FOR CATALOG TO:
Van Dyke's Restorers
Dept. D55 · Woonsocket, SD 57385

Kasco Portable Band Saw Mill

Cut Lumber When you want How you want

Save **20% More Usable Lumber**

- 24" and 30" diameter capacities
- Power-thru cut or manual
- Market your own lumber
- Prices start at \$5,295 plus freight

KASCO R. R. #3 · Box 393
Shelbyville, IN 46176 · (317) 398-7973

Add Music & Movement To Wood Projects!

The Woodworker's Complete Source for Musical Accessories!

- Wind-Up Musical Movements
- Electronic Musical Movements
- Water Globe Kits
- Blinking Musical Lights
- Carousel Horses & Accessories
- One of the Largest Selections of Tunes Anywhere!

Unicorn Studios Musical Movements & Accessories
P.O. Box 370-DW • Seymour, TN 37865

For a full-line catalog, send \$1

Router-Miter Multistand RM3300DL

Features:

- Fits all routers and miter saws
- Router mounts under a removable base plate for safe bit changing and adjusting
- Deluxe router fence with adjustable hold down system and clear Lexan guard
- Deluxe base plate has snap-out inserts to accommodate up to a 4" cutter
- Folding legs for greater portability
- Two height settings 34 1/2" and 36"
- 20"x24" high pressure laminate top

For More Information and the Dealer Nearest You
Call: 1-800-635-3416
ROUSSEAU CO., Dept. 23
1712 13th Street · Clarkston, WA 99403

ADIRONDACK KITS

LAWN & GARDEN FURNITURE

Build this American Classic with our precut wood parts. Instructions and all hardware included for easy assembly.

Chair... **49⁹⁹**
Table... **89.99**
Love Seat **89.99**
S/H **8.50**

SEND CHECK OR MONEY ORDER TO...
MILLER-WISEMAN

974 S. 22nd. St., El Centro, CA 92243
619-337-5943 CA Res. add 7 3/4 %

18G. BRAD NAILER

FREE CASE
FREE 4M BRADS
1/4" TO 1 1/4"
\$79

NARROW CROWN STAPLER TO 1"
FREE CASE
\$99

16G. BRADDER TO 2"
FREE CASE
\$179

FINISHING NAILER TO 2 1/2"
FREE CASE
\$229

STICK NAILER KIT TO 3 1/4"
FREE CASE
\$289

MAIL-IN COUPON

TECH TOOLS
120 DOUBLE OAK DR
DOUBLE OAK, TEXAS
1-800-8428324 75067

18G BRADDER KIT

NARROW CROWN STAPLER KIT

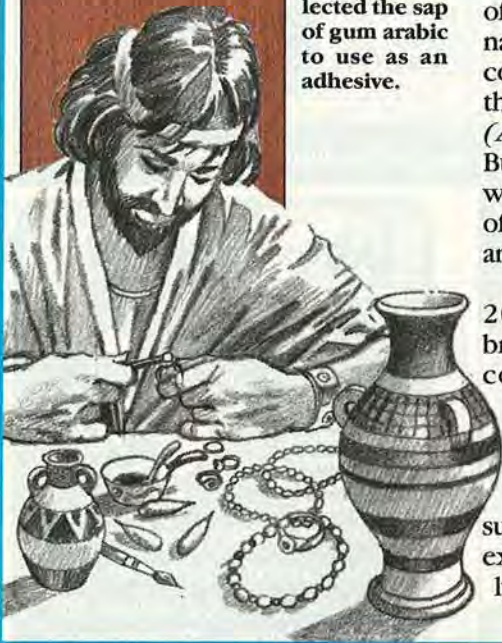
16G BRADDER KIT

2 1/2" FINISH NAILER KIT

STICK NAILER

INCLUDE CHECK OR MONEY ORDER

GUM ARABIC GOOD FOR A LICK OR TWO



Egyptians collected the sap of gum arabic to use as an adhesive.

The catclaw tree (*Acacia greggii*) of the American Southwest gets its name from the talon-like thorns covering its branches. Likewise, the catclaw's cousin, gum arabic (*Acacia senegal*), has sharp thorns. But, it's the sap, not the thorns or wood, that's made the reputation of this native of northwest Africa and the Middle East.

A short tree, growing to only 20', gum arabic has reddish brown wood that local craftsmen convert into novelties such as turnings and jewelry. Its water-soluble sap, though, eventually travels the world.

During droughts, the deeply fissured gray bark of the tree splits, exuding a resinous sap that slowly forms into 2" long tears. Ancient

Egyptians collected these tears and used the gum as an adhesive to hold gems and glass in jewelry and pottery, and as a paint base. To Arab healers, however, the sap cured coughs and sore throats.

Known today as gum arabic, it plays many commercial roles. In the pharmaceutical industry, for example, it binds the ingredients in pills and tablets. Bakers add gum arabic to their batter to build body and gain texture. It's also used in polishes, watercolors, and other paints. Yet, it's as the mild (and slightly unpleasant tasting) adhesive on the backs of stamps and envelope flaps that most people contact gum arabic. With a lick and a promise, it seals a letter and tickets it for travel. ♣

Illustration: Jim Stevenson

PORTER+CABLE	
100	7/8 HP FIXED BASE ROUTER..... \$ 97
330	SPEED BLOCK FINISHING SANDER..... 56
332	QUICKSAND RANDOM ORBIT SAND..... CALL
333	QUICKSAND DUSTLESS RO SANDER..... CALL
352	5" X 21" BELT SANDER WITH BAG..... 142
360	3" X 24" BELT SANDER WITH BAG..... 179
362	4" X 24" BELT SANDER WITH BAG..... 192
505	1/2 SHEET FINISHING SANDER..... 115
555	BISCUIT JOINER WITH STEEL CASE..... 167
690	1 1/2 HP FIXED BASE ROUTER..... 128
691	1 1/2 HP "D" HANDLE ROUTER..... 142
7310	LAMINATE TRIMMER, 5.6 AMP..... 85
7335	5" VS RANDOM ORBIT SANDER..... 125
7336	6" VS RANDOM ORBIT SANDER..... 129
73333	ROS DUST EXTRACTION SYSTEM..... 24
7518	3 1/4HP, 5 SPEED FIXED ROUTER..... 264
7519	3 1/4HP, SINGLE SPEED ROUTER..... 229
7538	3 1/4HP PLUNGE ROUTER-1 SPEED..... 229
7539	3 1/4HP PLUNGE ROUTER-5 SPEED..... 269
7549	TOP HANDLE BAYONET SAW..... 144
9853	12V CORDLESS DRILL KIT..... 148
97310	LAMINATE TRIMMER KIT W/4 BASES..... 187

BOSCH		ALL BOSCH ROUTER BITS ARE 40% OFF OF LIST PRICES!
1370DEVS	6" VS RANDOM ORBIT W BAG.....	\$224
1581VS	TOP HANDLE JIG SAW, VS.....	134
1582VS	BARREL HANDLE CLIC JIG SAW.....	134
1604	1 3/4 HP ROUTER, FIXED BASE.....	129
1608	TRIM ROUTER.....	85
1609K	INSTALLERS KIT W/3 BASES & CS.....	164
1613	1 3/4 HP PLUNGE ROUTER.....	163
1613EVS	2 HP PLUNGE ROUTER, VAR SPD.....	183
1614	1 HP PLUNGE ROUTER.....	127
1614EVS	1 1/4 HP PLUNGE ROUTER VS.....	148
3050VSRK	CORDLESS DRILL KIT W/2 BAT.....	132
3283DVS	5" VS RANDOM ORBIT W BAG.....	95

BOSTITCH		
N60S	STICK NAILER-6 TO 16 PENNY CAP.....	\$388
N80C	FRAMING COIL NAILER-4 TO 12 CAP.....	399
N60FN	FINISH NAILER-1 1/4 TO 2 1/2" CAP.....	335
T28-5	FINISHING STAPLER-1 3/16" CAP.....	269
T31-3	FINISHING STAPLER-1" CAPACITY.....	149
N12B	ROOFING COIL NAILER.....	409
T40S-1	ROOFING STAPLER.....	299

FREUD		ALL FREUD ROUTER BITS & SHAPER CUTTERS ARE 40% OFF OF LIST!
LM72M010	10" X 24T FLAT TOP RIP BLADE.....	\$ 36
LU84M011	10" X 50T ATB COMBO BLADE.....	38
LU85M010	10" X 80T ATB ULTIMATE WOOD.....	55
LU97M010	10" X 24T THIN KERF RIP WOOD.....	37
LU88M010	10" X 60T THIN KERF CROSSCUT.....	43
LU88M010	10" X 80T TCH FOR LAMINATES.....	68
TK206	10" X 24T THIN KERF RIP.....	20
TK306	10" X 40T THIN KERF COMBO.....	25
TK406	10" X 60T THIN KERF FINE CUTOFF.....	34
TK906	10" X 50T THIN KERF COMBO.....	27
SD309	8" DADO SET WITH CASE.....	116
WC106	6 PIECE WOOD CHISEL SET W/CSE.....	49
RS2000	NEW SHAPER STILE & RAIL SET.....	379
FT2000E	3 HP VS PLUNGE ROUTER.....	205
EB100	EDGE BANDING SYSTEM.....	224

Panasonic		
EY571BC	9.6V CRDLS KIT W/2 BAT & CASE.....	\$149
EY6205BC12V	15 MIN CHRGR CRDLS KIT,CSE.....	178
EY6900BC12V	CRDLS HAMMER DRILL 15 MIN.....	199

SKIL		FREE SUPERTWIST WITH SKIL BENCHTOP TOOL PURCHASE!
1605-02	BISCUIT JOINER W/CSE & 200 BISC.....	\$119
1812	LAMINATE TRIMMER W CARB BIT.....	72
1875	2 1/4HP PLUNGE ROUTER, VS.....	179
2736-04	12V CRDLS DRILL KIT,2 BAT,KYLS.....	129
3330	16" SCROLL SAW.....	139
3370	4" BELT 6" DISC SANDER.....	135
3380	8" DRILL PRESS, 1.4HP, 5 SPEED.....	139
3400	10" TABLE SAW, 15 AMP.....	179
7484	5" RANDOM ORBIT SANDER W BAG.....	99

INTERNATIONAL TOOL CORPORATION
 1939 TYLER STREET, HOLLYWOOD, FL 33020
1-800-338-3384
 FREE FREIGHT & SAME DAY SHIPPING
ON MOST ORDERS OVER \$25.00 MINIMUM PURCHASE
 QUANTITIES LIMITED. NOT RESPONSIBLE FOR TYPOGRAPHICAL ERRORS

COD ADD \$5.00
 (CASH, CASHIERS CHECK OR MONEY ORDER PLEASE)

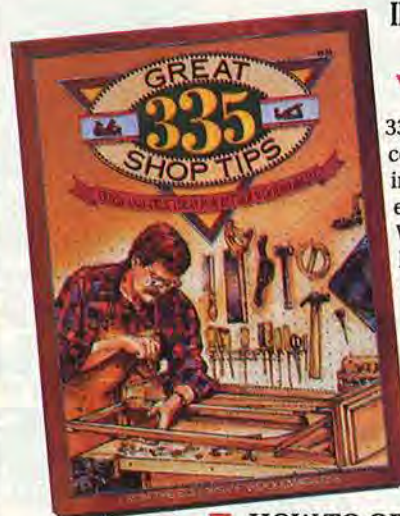
VISA MasterCard Discover

335 GREAT SHOP TIPS

THE BEST IDEAS COLLECTED FROM OUR POPULAR COLUMN

"TIPS FROM YOUR SHOP (AND OURS)"

IN WOOD, MAGAZINE



333 GREAT SHOP TIPS contains valuable information from the editors and readers of WOOD magazine - shared knowledge that makes working in your shop better, faster, safer, and easier. We've organized the tips into 24 convenient categories with an index for easy accessibility to any subject.

HOW TO ORDER

To order "335 Great Shop Tips," send your name, daytime phone number and address, city, state and zip, plus \$10.95 (U.S.) (Canadian readers add \$1.00), which includes postage and handling to:

335 GREAT SHOP TIPS
 P.O. Box 9255
 Des Moines, IA 50306

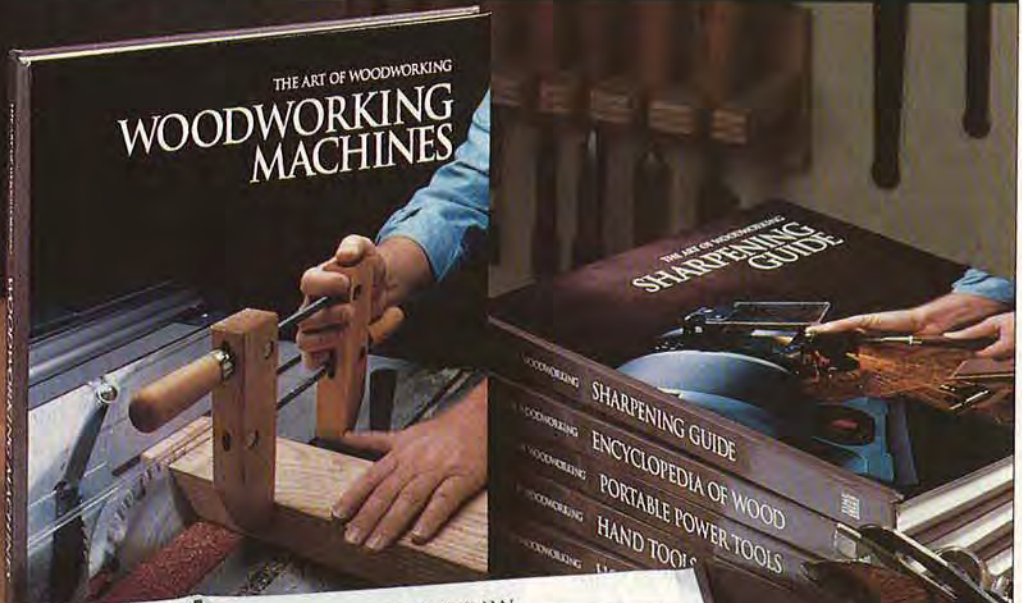
Allow 6-8 weeks for shipping and handling.

To order by phone, call 1-800-374-9663 (9 a.m. to 5 p.m. CST)

Now Master Woodworkers Pass on Their Skills and Secrets to You



Meet veteran furniture maker Giles Miller-Mead plus dozens of other master craftsmen who share their tips, tricks and advice.



FREE WORKBENCH PLANS WHEN YOU ORDER!

NEW FROM TIME LIFE BOOKS

THE ART OF WOODWORKING

Your complete guide to woodworking tools, techniques and materials.

Now you can build the skills and master the techniques that will turn you into a better woodworker. And get plans for just about every shop-made jig and fixture you're ever likely to need in THE ART OF WOODWORKING, new from TIME-LIFE BOOKS.

Here's the perfect workbench companion—with clear, easy-to-follow illustrations and a unique spiral binding that allows the book to lie flat while in use. Your first volume, *Woodworking Machines*, shows you how to adjust, sharpen and use just about any machine tool. And helps you get the

most from your shop tools with complete set-up instructions, detailed safety precautions, plus maintenance tips.

Shop-test *Woodworking Machines* free for 15 days and receive a bonus set of workbench plans! If you keep the book, pay just \$15.99, plus shipping and handling. Then about every month, you'll receive another book, like *Hand Tools*, *Cabinetmaking*, *Portable Power Tools* and *Wood Finishing*, on the same free-examination basis. There is no purchase necessary, and the free plans are yours to keep without any obligation!

FREE BONUS GIFT



WORKBENCH PLANS SET

YES! I would like to examine *Woodworking Machines* free for 15 days as my introduction to THE ART OF WOODWORKING. Please send it to me, along with my free Workbench Plans and other future volumes, under the terms described in this ad.

NAME _____
 ADDRESS _____
 CITY _____
 STATE/ZIP _____

SEND NO MONEY NOW
 If card is missing mail to: TIME-LIFE BOOKS, P.O. Box 85563, Richmond, VA 23285-5563 KGAFZ2

If Shaker furniture is your favorite, this comprehensive book may be the perfect addition to your woodworking library.

As you might expect, the book opens with a fascinating introduction to the Shaker culture, which took root in the middle 1700s. According to author John Kassay, the religiously devout artisans of Shaker furniture rejected unnecessary ornamentation and applied only the essentials of pure function and form into each design. This same thinking influenced their dress, architecture, and general way of living. In fact, they saw the act of building an unadorned piece of furniture from God's materials and for community-member use as a form of worship.

You'll find chapters chock-full of furniture examples (some 254 black and white photographs throughout), accompanied by de-

THE BOOK OF SHAKER FURNITURE

By John Kassay
University of Massachusetts Press
Amherst, Massachusetts
©1980, 288 pages, \$60 hardcover

"To make a piece of furniture was an act of worship, the fulfillment of a religious obligation. It expressed the Believer's understanding of the Creator of the materials and the personal goal of oneness with Him, while its purpose was to be communal."

scriptions of the historical significance and use, and the original construction details of each piece. Such pieces include benches, beds, cradles, shelves, and tables.

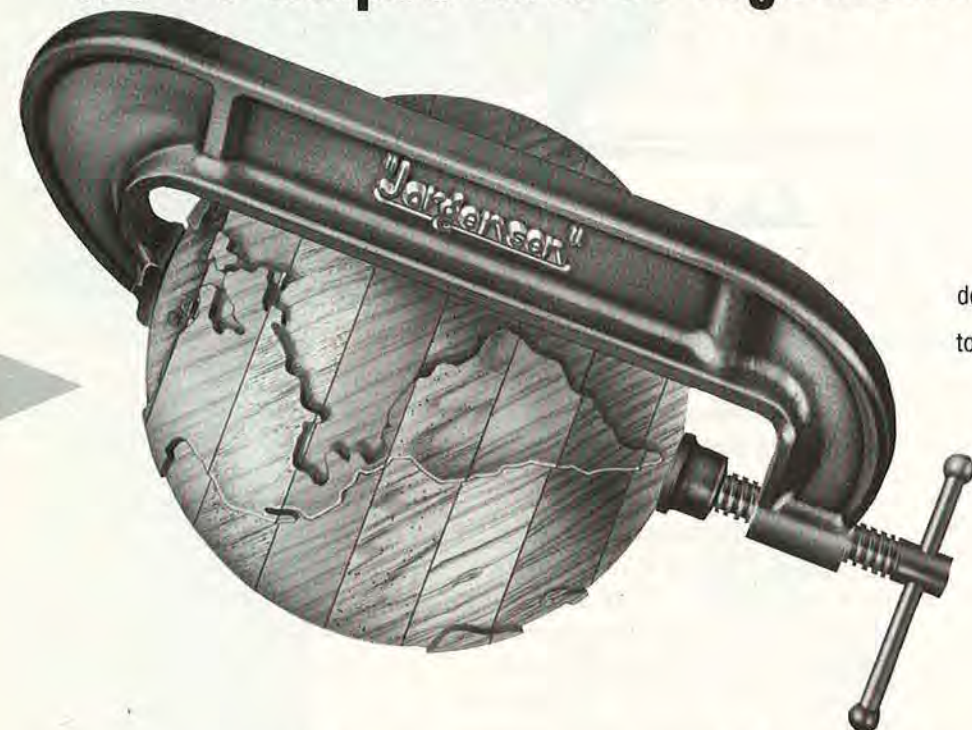
Along with the photos and write-ups are dimensioned plan drawings—front and side views, and some three-dimensional views—supported by a bill of materials for construction. Only the how-to instructions are lacking.

For those interested in the faithful reproduction of Shaker furniture or those who maintain an active curiosity about this group of self-reliant Americans, *The Book Of Shaker Furniture* seems well worth the investment.

Order the book through a bookstore, check your local library, or purchase it for \$65 ppd. from Woodworkers Source, 5402 South 40th Street, Phoenix, AZ 85040 or call 602/437-4277 to order. ♣

We've helped hold it together... Since 1903

"Jorgensen"
"Pony"
Adjustable™



Quality in our products...
dedication in our service. We've held to these commitments just as you've held up our Clamps and Vises as your standards to each new generation since 1903. We'll continue to hold consistently to our traditions of excellence.

Write for our Catalog SEND \$1.00
Adjustable Clamp Company
410 N. Ashland Avenue, Chicago, IL 60622



NEED
EXTRA
INCOME?

SIGNCARVING



IS FUN & PROFITABLE

And it's easy, if you use the Marlin Woodcarvers and accessories. You can carve signs quickly at home or at swap meets. *No special training is required.* The machines do the work, the operator has the fun and the profits. These machines will also 3-D carve panels and plaques. Our templates work well with other machines.

SEND \$1.00 FOR OUR FULL LINE BROCHURE AND PRICE LIST AND START PLANNING YOUR FULL OR PART-TIME BUSINESS.



MARLIN INDUSTRIES, INC.

Rt. 70, Box 191, Dept. D29
Cashiers, NC 28717
(704) 743-5551

WIN A FREE HEGNER SCROLL SAW

After fifteen years of leadership, HEGNER Precision Saws are still the #1 choice!
Now you can win a HEGNER... absolutely FREE!

We will also send you our catalog at no cost or obligation.
Call or write today!

1-302-322-2226
ADVANCED MACHINERY IMPORTS, LTD.
P.O. Box 312, Dept. 496 New Castle, DE 19720

High Tech Engraving



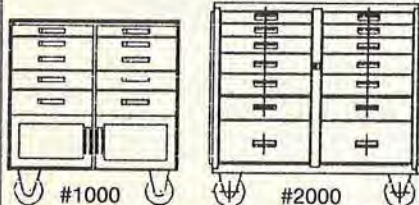
See what everyone has been talking about!
Engrave on: Wood, Glass, Metal, Stone, Ceramics, Eggshell

- Precise Detail
- 400,000 RPM
- No Vibration
- No heat buildup

• You don't have to be an artist when you use our exclusive stenciling system.

1-800-755-0261 or 414-251-0981

SCM Enterprise • W16N11318 Western Avenue, Germantown, WI 53022



ROLL-A-WAY TOOL CABINETS.
#1000 Has 10 drawers & 2 doors
18x31x32-in high. #2000 has 14
drawers 24x36x36-in high. Send
\$12.95 for plans for #1000. \$15.95 for
plans for #2000 to:

John's Wood Products

P.O. Box 354 Prospect, OH 43342-0354

Victorian Settee

Order Today!

\$12.00 ppd



FULL SIZE PATTERNS
and easy assembly instructions.
Featuring contoured seat and back.

HERITAGE MFG. CO. (713) 861-6801

P.O. Box 2781, Houston, TX 77252

Patterns Mailed Next Day

Also available: Chair - \$11.00; Chaise - \$12.00;
Glider - \$13.00. All 4 models \$19.95.

Cradle Plans

You can easily build this classic cradle which is sure to become a family heirloom. Available in two sizes: Baby & Doll size.

Two Cradle Plans One for Babies One for Dolls



72 pg. catalog
free with order

Baby size Plan (21 x 35) \$11.50

Spindle Kit with Pivots \$30.25

Doll size Plan (10 x 18) \$5.25

Spindle Kit with Pivots \$12.95

M/C Visa orders call toll-free 1-800-292-8296

Frt. 48 States \$3.50. AK, HI add 25% of order. NY add tax. Canada add 50%. Use Visa/MC or M.O. in U.S. funds. Min. order is \$15.00. Catalog \$1.00 or sent FREE with order.

ARMOR, Box 445-E, East Northport, NY 11731

FOR INFORMATION ABOUT PLACING AN ADVERTISEMENT IN

Better Homes and Gardens.

WOOD

PLEASE WRITE:

CHRIS SCHAFT
WOOD MAGAZINE
750 THIRD AVENUE
NEW YORK, NY 10017

OR CALL COLLECT: 212-551-6904

Ogee Foot Mouldings



End your
frustrations!

- Various styles, heights, woods
 - No minimum • Affordable
- Fax/phone 1-800-628-0428

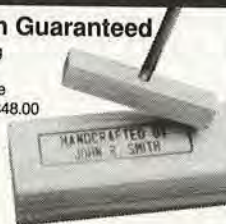
Blue Ridge Moulding

PO Box 127, Hinton Va. 22831-0127

BRANDING IRON

Your Satisfaction Guaranteed

- Convenient torch heating
- Solid Brass—lasts years
- Special wording available
- Electric Models Start at \$48.00
- 2nd line—20 letters/spaces max.
- 1/4" letters
- Distinctive Border
- Add \$3.50 shipping and handling
- OH res. add 6% sales tax



ORDER BY MAIL FROM:
BrandMark TO ORDER CALL TOLL FREE
462 Carthage Dr., Dept. W9-2 1-800-323-2570
Beavercreek, OH 45434-5865 8:00-5:00 EASTERN TIME
(513) 426-6843



\$28.00

LITTLE DIGGER

Create this unique sandbox toy. Appeals to youngsters and oldsters. Built with mostly 2 x 4's. The plan is full size and easy to follow. Backhoe is designed with swivel seat for youngsters to sit on and scoop sand in the bucket.



Send \$14.95 pp.
Check or
Money Order to:

Bo-Jan Products
Dept. W
P.O. Box 24986
Winston-Salem,
N.C. 27114-4986

Bucket and swivel bearing available upon request.
N.C. Residents add 6% Sales Tax.

YOU DO HAVE A CHOICE!!

A TABLE TOP FULL OF GROOVES... OR A DOYEL RADIAL ARM SAW FENCE SYSTEM WHICH CUTS ANGLES WITH ONLY 1 SAW GROOVE... The miter fence adjusts 0-47° with easy to read 1/4° accuracy... Quick adjustable ruled cut-off feature... Instantly replaces wood fences up to 44" ... Rugged tempered aluminum construction



SEND CHECK OR MONEY ORDER TO:

DOYEL ENTERPRISES

P.O. BOX 315 DEPT. D

YORBA LINDA, CA 92686-0315 • (714) 666-1770



ADD \$4.75 S & H
CA RESIDENTS ADD \$6.16 (7% TAX)
SORRY, NO C.O.D.'S

ONLY \$79.50

MONEY BACK GUARANTEE

HERITAGE

Building Specialties

FEATURING
NEW WAYS TO BUY WOOD

- PROJECT-PAK®
 - SPEC-WOOD
- the new alternatives

CALL FOR DETAILS

WATS: 1-800-524-4184 • FAX: (218) 739-5798
205 North Cascade, Fergus Falls, MN 56537

WE WORK FOR YOU

Worth writing for...



You can get useful ideas and product information by mail. Use the coupon in this section to order your choice of literature listed below. Each company mails the catalogs or information directly to you.

POWER TOOLS

SCROLL SAW, CRAFT & WOODWORKING CATALOG—Specialty products from the exclusive distributors of HEGNER, the precision saws with SCROLLVERGNEGEN. Complete information on scroll accessories, including blades and lettering guides. Also JET Clamps, HEGNER Lathes, PLANO Vertical Glue Press, and more. Toll-free customer service hotline included! AMI, LTD. \$2.00. *Circle No. 3.*

PROFESSIONALS ONLY—Information on the new line of FELDER BF6 woodworking machines, including table saw, shaper, jointer/planer and combination machines, starting as low as \$4,899. Also ULMIA Table Saws. Deal directly with the importer. Get complete information on the best professional machine value! AMI LTD. \$1.00. *Circle No. 4.*

TOOL CRIB CATALOG—offers a wide selection of merchandise for home woodworkers to industrial builders and features top manufacturers such as Dewalt, Black & Decker, Delta, Makita, Porter Cable, Bosch, Milwaukee, Ryobi, Freud and many more. We offer new competitive prices with quality service and same day shipping. 208 page revised catalog. It's worth it! TOOL CRIB. \$3.00. *Circle No. 6.*

PORTABLE SAW MILL—a one man saw mill weighing 45 lbs. Gas and electric models will cut dimensional lumber from logs up to 20 in. diameter. Send for brochure. BETTER BUILT CORP. Free. *Circle No. 10.*

INCA MACHINERY INFORMATION—Complete information on the famous line of Inca woodworking machines. Designed for precision work by the small to medium sized cabinet shop. Used by thousands of hobbyists and professionals. Table saws, bandsaws, jointers/planers, dust collector, radial arm saw. GARRETT WADE CO. Free. *Circle No. 44.*

HOME LUMBER—For the largest selection of Makita at the right price. We also provide great pricing on Amana Carbides, Bostitch Air Nailers & David White Instruments. Same day shipping, free freight. We accept Visa, Mastercard, Discover, COD. Send for information. HOME LUMBER. \$1.00. *Circle No. 48.*

INTERNATIONAL TOOL CORPORATION CATALOG—features the best tools & accessories at the absolute lowest prices anywhere! Whether you are a home woodworker or an industrial user, you will find an incredible selection featuring Porter Cable, Bosch, Skil, Freud, Delta, Milwaukee, Hitachi, and many, many more. We offer same day shipping, the most knowledgeable sales staff and free shipping on most UPS orders in the continental U.S. INTERNATIONAL TOOL CORP. Free. *Circle No. 49.*

KASCO MANUFACTURING, SHELBYVILLE, INDIANA—manufactures and distributes a portable band saw mill, plus a quality line of farm implements including disks, harrows, and chisel plows. Plus a labor-saving fertilizer auger loader and a bulk soybean auger loader for no till farming. Send for information. KASCO. \$1.00. *Circle No. 51.*

WOODWORKING MACHINE CATALOG—New 24-page color catalog introduces many new do-it-yourself woodworking machines. Includes planers, dust collectors, drill presses, sanders, lathes, and specializes in scroll saws and accessories. PENN STATE INDUSTRIES. Free. *Circle No. 75.*

DUST COLLECTOR SYSTEMS—Keep your shop clean and safe from saw dust with one of our large capacity Commercial Style Dust Collection Systems. Catalog features our new DC-3 1-1/2 H.P. Portable System. Free hose and adapters are supplied with any purchase. Full line of Dust Collection accessories is available from Penn State Industries. Catalog. PENN STATE INDUSTRIES. Free. *Circle No. 76.*

SURFACE PLANER—Information package available from Penn State Industries describing the specifications and applications of its super 12 1/2 inch surface planer. Special discount pricing available on current promotion. PENN STATE INDUSTRIES. Free. *Circle No. 77.*

GET TO THE FINISH LINE FASTER—with a Performax drum sander. Don't spend hours with a hand-held belt sander. Sand ultra-wide stock ultra-smooth in just minutes. Models start at \$300 to \$3495. Select the model that fits your budget and your needs. New metal abrasive fasteners keep sandpaper tight without re-wrapping. PERFORMAX PRODUCTS. \$1.00. *Circle No. 78.*

THE PRECISION SCROLL SAW FOR THE ENTIRE FAMILY!—The Hawk was designed for beginners and built for expert woodworkers. Learn how to produce creative leisure time projects for fun or to make money...we'll show you how! Make cuts so intricate and smooth they don't require sanding. Four models to choose from. Send today for all the facts. RB INDUSTRIES, INC. Free. *Circle No. 84.*

THE VERSATILE RBI WOODPLANNER/MOLDER/SANDER!—It's indispensable! It's 4-in-1. It's RBI's Woodplaner/Molder/Sander/Gang Saw. Find out how the Woodplaner saves you money turning rough stock into beautiful professional quality projects. With 3 models to choose from there's one that fits your needs. It does it all, so you can do it all! Send today. RB INDUSTRIES, INC. Free. *Circle No. 85.*

THE ADVANTAGE—That's what you'll have over other woodworkers when you are using SECO MACHINERY. With choices of straight-line rip saws, wide belt sanders, dust collectors, power feeders, and lots...lots...more. Write today for a catalog of this woodworkers choice. Se habla espanol. Dealer inquiries welcome. Send for catalog. SECO INVESTMENT CO. Free. *Circle No. 91.*

TOOLS ON SALE™—A division of Seven Corners Ace Hardware, Inc. offers a catalog of over 400 pages of the most popular brands of power tools available anywhere. Included are saws, planers, sanders, routers, drills, cordless tools and more from manufacturers such as Milwaukee, Makita, Porter Cable, Black & Decker, Dewalt, Freud, Bosch, Delta, and many more. Tools on Sale™ division of SEVEN CORNERS ACE HARDWARE, INC. \$1.00. *Circle No. 92.*

PORTABLE SAWMILLS—Convert logs into valuable lumber—Wood-Mizer® Products manufactures a line of portable bandsaw mills that allows the novice as well as the experienced sawyer to safely convert standing logs into lumber. Then, with the use of our SolaryDry™ Kiln or Vacu-Kiln™ to dry your lumber, you could increase the value of every board you produce. We manufacture some of the most progressive woodworking equipment on the market today. Product videos available. Send for our 31-page catalog. WOOD-MIZER PRODUCTS. \$2.00. *Circle No. 94.*

HAND TOOLS

DIAMOND WHETSTONES BY DMT—Rescue your routers, lap carbide edges; discover the ease and speed of sharpening on Diamond Whetstones. Five sizes from 3" to 12" in the fine, coarse, and extra coarse. Finest monocrytalline industrial diamonds permanently bonded in nickel. Lubricated with water. Stays flat, unbreakable, long life. Sixteen years of serving sharpening needs. Satisfaction guaranteed. Send for full color catalog. DIAMOND MACHINING TECHNOLOGY, INC. \$2.00. *Circle No. 112.*

RADI-PLANE—Professional edge finishing tools. The RADI-PLANE lets you quickly round-over an edge without the time or trouble of routing and sanding. Duel, micro-adjustable cutters provide for a quick, precise rounded edge in just one pass. Send for more information. L. A. MATHERS CO. Free. *Circle No. 142.*

HANDMADE HAND TOOLS FROM MAINE—Lie-Nielsen Toolworks produces some of the best hand tools available today. Our growing line includes Block Planes, Scraping Plane, Beading Tool and other Heirloom Quality Tools. Send

for brochure. LIE-NIELSEN TOOLWORKS, INC. Free. *Circle No. 147.*

PERSONAL BRANDING IRONS—Brochure describes branding irons that enable you to put your name on your work quickly and easily. Made especially for branding wood, they are available with 1, 2, 3 or 4 lines of copy. Changeable date also available. NOVA TOOL CO. \$1.00. *Circle No. 160.*

STAINS/FINISHES

TIPS ON WOOD FINISHING—Free 30-page booklet. Time-saving tips and easy how-to instructions. Details on beautifying and protecting new wood, plus restoration techniques for old wood. Many wood projects are outlined step-by-step, with over 50 photographs plus color charts. MINWAX COMPANY. Free. *Circle No. 270.*

PLANS

OVER 1000 WOODCRAFT PATTERNS!—Enjoy making gifts, toys, lawn ornaments, holiday designs, whirligigs, folk art, bird houses and feeders, household and yard accessories plus much more! Simple enough for the beginner, fun and profitable for the pro. Send for catalog plus sample pattern. ACCENTS IN PINE. \$2.00. *Circle No. 310.*

WOODWORKERS' PLANS AND SUPPLIES—Wood projects are simplified with the high quality plans, specialty hardware and other supplies offered by Armor Products. Over 100 plans are available for making toys, desks, clocks, pool tables, lamps, chests, and other furniture. Movements, dials, moldings, ornaments, dollhouse kits, door harp supplies and tuning pins are also available. ARMOR PRODUCTS. \$1.00. *Circle No. 315.*

SALES TESTED DESIGNS—available as plans only, parts kits, or plans and parts kits. Complete stock of parts, tools and supplies. Door Harps to Digital Electronic/Wood Projects. Full size plans! Catalog \$2.00 refundable on first order. CRAFTER'S MART. \$2.00. *Circle No. 328.*

FULL-SIZE FURNITURE PLANS CATALOG—Illustrates and describes over 200 plans for making furniture of quality found in museums and fine furniture stores. Plans include rollout desk, cradles, dining tables, chairs, buffets, chests, gun cabinets, poker table, children's furniture, rocking horse, spinning wheels, and more. Bill of materials exploded drawings assist the woodworker. FURNITURE DESIGNS, INC. \$3.00. *Circle No. 345.*

VICTORIAN GARDEN FURNITURE—Build this specially designed Victorian furniture set with matching CHAIR, CHASE, SETTEE and SWING/ GLIDER and add charm to your special porch, deck, or solarium. Each piece features fan shaped contoured backs, contoured seats, and curved arms and legs truly making it "one of a kind" for comfort & beauty! You can build this rewarding project designed with simplicity & durability in mind from our FULL SIZE patterns and EASY to follow assembly instructions. Send for detailed graphic information (Cost applicable to first purchase). HERITAGE MFG. CO. \$2.00. *Circle No. 372.*

430 AFFORDABLE HOME PLANS—This top seller has plans to satisfy modest and medium building budgets. Each of four sections—one, 1 1/2, two-story, and multi-level—includes styles such as Tudor, Early American, Spanish & Western, and Contemporary. Floor plans include houses for narrow and sloping sites. Economical rectangular shapes as well as expandable 1 1/2 story houses are included. A handy check list is provided to help you plan a more affordable home. Blueprints available. HOME PLANNERS, INC. \$9.95 ppd. *Circle No. 373.*

ROLL-A-WAY TOOL CABINETS—Have your tools where you want them with a roll-a-way tool cabinet. Plans available for model that will store under bench and for model that has a work surface 24" x 36". Send for information. JOHN'S WOOD PRODUCTS. \$1.00. *Circle No. 390.*

PROJECT PLANS—Full-size patterns for over 500 easy-to-build woodworking projects. Nation's leading source for scroll saw patterns, cow projects, toy plans, yard ornaments, wood furniture, etc. Over 3000 hard-to-find specialty items. Send for your big new 72-page catalog. **MEISEL HARDWARE SPECIALTIES**. \$1.00. *Circle No. 401.*

PICNIC TABLE PLANS—Ever thought about selling picnic tables from your yard. Here's your chance. Package includes plans for six picnic tables, including a 51" round table and children's tables. You also get a booklet on methods of assembly, jig plans and use, marketing strategies, and suggested pricing. Benefit from 10 years experience and over 1000 tables sold. **WEBER WOODWORKING**. \$29.96. *Circle No. 470.*

LUMBER

QUALITY EXOTIC LUMBER/TURNING WOODS—We offer a comprehensive selection of fine quality exotic woods. Also available are mechanisms for making wooden barrel pens/pencils/roller balls/fountain pens. Ebony, Kingwood, Tulipwood, Snakewood, African Blackwood, Cocobolo, Bloodwood, Figured Maple, Spaulded Maple, Padauk, etc. Unique and unusual turning woods and burls are also available. Send for catalog. **BEREA HARDWOODS**. \$1.00. *Circle No. 510.*

ONE STOP WOOD SHOP—Domestic and exotic hardwood plywood and lumber, marine plywood, over 30 species in stock—all under one roof. Custom cutting services to your exact specifications with little or no waste at competitive prices! We specialize in bundling and shipping. Send for catalog. **BOULTER PLYWOOD CORP.** Free. *Circle No. 512.*

CONDON'S SELECTION IS UNSURPASSED—You'll find 43 different species of lumber in stock. 27 more available on special request. Interior, marine, and aircraft plywood are stocked in a variety of species, along with over 40 stock moldings. Custom profiles on request. 30-page color catalog. **M.L. CONDON COMPANY INC.** \$2.00. *Circle No. 514.*

WE WORK FOR YOU!—Save money on quality hardwoods. We will cut to your material list requirements. Eliminate guesswork and waste. We will ship enough product to complete your project. Fast service, satisfaction guaranteed. You get the wood we keep the knots. Send for catalog. **HERITAGE BUILDING SPECIALTIES**. \$1.00. *Circle No. 550.*

STEVE H. WALL LUMBER CO.—Quality hardwoods and woodworking machinery for the craftsman and educational institutions. 16-page catalog lists 17 species of popular hardwoods at wholesale prices. Also dealers for MiniMax, Freud and ProCut woodworking machines. **STEVE H. WALL LUMBER CO.** \$1.00. *Circle No. 592.*

EXOTIC IMPORTED AND DOMESTIC HARDWOODS—Over 75 species of lumber, bowl planks, turning squares and veneer. Samples (1/2" x 3" x 6") ideal for craftsmen, furniture and cabinet makers, architects, and designers available. Catalog provides common and botanical name, source, and description of each wood. Send for catalog. **WOODWORKERS SOURCE**. \$1.00. *Circle No. 598.*

GENERAL WOODWORKING CATALOGS

CONSTANTINE'S WOODWORKERS' CATALOG—116 pages—over 4,000 woods, veneers, inlays, carvings, moldings, legs, pegs—everything for people who like to build with, turn, carve, refinish wood! Includes 33 pages of hand and power tools, 24 pages of hard-to-find hardware, 12 pages of finishing supplies... books, kits, plans and more... all backed by Constantine's 180 years of woodworking experience and 60-day no-questions-asked guarantee. 2 year subscription. **ALBERT CONSTANTINE AND SON, INC.** \$1.00. *Circle No. 820.*

THE WOODTURNERS CATALOG—48 color pages of the finest woodturning tools, machinery and supplies available. Featuring Henry Taylor, Sorby, Richard Raffan and Dale Nish workshops. Catalog price refunded with order. **CRAFT SUPPLIES USA**. \$2.00. *Circle No. 830.*

MASTER TOOLS CATALOG—1991-92 220-page master woodworking tools catalog. Full line of the best hand tools, power tools & accessories, machinery, glues, finishing supplies, workbenches, and much more. Hundreds of books included. 220 pages. All four-color. Lots of technical information. **GARRETT WADE CO.** \$4.00. *Circle No. 855.*

GRIZZLY IMPORTS, INC.—Our new 1992 catalog is bigger and better than ever! We have added many new items to our already large selection of affordably priced woodworking machines, tools and accessories. Send for your free woodworking source catalog. **GRIZZLY IMPORTS INC.** Free. *Circle No. 860.*

TOOLS ON SALE—A division of Seven Corners Ace Hardware Inc. offers a comprehensive catalog featuring over 820 pages of the most competitive prices in the industry. If you're looking for savings and fast delivery on over 6500 items, request our catalog. This catalog offers one of the most complete selections of power tools available anywhere from the most respected manufacturers in the industry: Milwaukee, Makita, Porter-Cable, Black & Decker, Freud, Bosch, Delta, and many more. **SEVEN CORNERS ACE HARDWARE**. \$1.00. *Circle No. 920.*

DISCOUNT WOODWORKING TOOLS AND SUPPLIES—Get your FREE copy of Trendline's new 68 page full-color catalog. You'll find the best prices for over 3,000 brand name products including: power tools and accessories, hand tools, screws, hardware, wood components, plans, books, and much more. **TRENDLINES**. Free. *Circle No. 950.*

COMPLIMENTARY TOOL CATALOG—Woodcraft offers over 4,000 of the finest quality woodworking tools, books, supplies, and cabinetry hardware in our complete full color catalog. Craftsmen, cabinetmakers, carvers, woodturners, and hobbyists have depended on Woodcraft since 1928. Backed by Woodcraft's unconditional guarantee. Free technical assistance. **WOODCRAFT SUPPLY CORP.** Free. *Circle No. 955.*

THE WOODWORKERS' STORE CATALOG—New! The Woodworkers' Store 1992-93 catalog with over 150 new items features 100 full color pages of domestic and exotic hardwoods, veneers, wood parts, specialty hardware, kitchen accessories, finishing supplies, tools, books, and plans... Many exclusive items and hard to find specialties. Orders shipped in 24 to 48 hours. Over 37 years in business! Satisfaction guaranteed. Catalog. **WOODWORKERS' STORE**. \$2.00. *Circle No. 965.*

KITS

OUR QUEEN ANNE FURNITURE KITS—are ready to assemble and finish. They include dining room table, chairs, hutch, sideboard, a variety of occasional tables, and a personal desk. All are made in solid cherry, oak, walnut, and mahogany. We also stock individual Queen Anne legs for every project. Complete information in our brochure packet. **ADAMS WOOD PRODUCTS**. Free. *Circle No. 1002.*

DO-IT-YOURSELF KITS—Choose from a large selection of grandfather, wall and mantel clocks, as well as elegantly styled accent furniture pieces. Kits are made of solid 3/4" hardwoods, primarily cherry, oak, and black walnut. Buy direct from the factory and save. Send for 36 page color catalog. **EMPEROR CLOCK CO.** \$1.00. *Circle No. 1030.*

SHOP ACCESSORIES

INTRODUCING THE AIR YOU WEAR—Available now for the woodworking industry, is a powered air respirator that is lightweight, portable and effective in filtering dust particles generated by all woods. The hard hat helmet assembly offers head protection and the impact resistant visor offers face and eye protection. Can be worn even if wearer has glasses or facial hair. Rechargeable battery operates unit for 10 continuous hours. Model AGH1 sells for \$329.00. Send for brochure. **AIRSTREAM DUST HELMETS**. Free. *Circle No. 1207.*

NEW...RADIAL ARM FENCE SYSTEM—Featured in WOOD Magazine June 92 issue "Products that Perform". Doyel Enterprises produces a precision cut-off and angle cutting fence system. Only one 90 degree cut is required on your table top (no more swiss cheese). Instantly replaces your existing wood fence. Angle accuracy less than 1/4 degree and cut-off accuracy of less than 1/64 inch. Quality heavy duty extruded and machined construction. Send for literature. **DOYEL ENTERPRISES**. Free. *Circle No. 1225.*

LUMBER DRYING SYSTEMS—Ebac Lumber Dryers offers a wide variety of sizes from 50 B.F. to over 10,000 B.F. You get the highest quality lumber dried down to 6%-8% moisture content. Our controllers make them easy to operate and energy efficient. Kiln construction guide included to build your chamber. **EBAC LUMBER DRYERS**. Free. *Circle No. 1228.*

ECON-ABRASIVES—manufactures abrasive belts up to 52" wide in any grit. We carry hundreds of woodworking related accessories including: Velcro® backed discs, bar clamps, wood glue, drawer slides, chisels, hinges and hundreds of sanding accessories. Send for our 1992 catalog. **ECON-ABRASIVES**. Free. *Circle No. 1229.*

EASY DOES IT—with HTC'S power tool accessories. Discover many unique items, designed only with you, the dedicated woodworker, in mind. Make your machinery safer, increase the working area of your shop and accomplish nearly impossible tasks easily, quickly, accurately. Full-line catalog and price list. **HTC PRODUCTS, INC.** Free. *Circle No. 1245.*

WOOD MOISTURE METER—Avoid moisture problems such as cracking, warping, splitting, delamination etc. by using a moisture meter, as described in the latest brochure. Moisture Meter Mini-Ligno is designed for serious hobbyists and woodworkers. Attachments for depth measurements and remote reading during air and kiln drying are available. Available Moisture Range 6-20%, 6-36% or 4-30%, 4-60%. Catalog describes complete line of moisture meters. **LIGNOMAT USA, LTD.** Free. *Circle No. 1250.*

ROUTER SPEED CONTROL—Reduces speed electronically without reducing torque. Route at the speed that gives best results with the wood and bit you are using. Speed adjustable from full speed to 0 RPM. Less tear out—stops burning—less wear on bits—easy to use. Send today for information. **MLCS LTD.** Free. *Circle No. 1251.*

PUT YOUR ANGLE GRINDER INTO ORBIT!—With the MARSHCO RANDOM ORBIT SANDING HEAD you can transform your Angle Grinder into a top quality random orbit sander. You will be able to sand any wood, in any direction without leaving cross grain scratch, hook or swirl marks with 120 grit in just one pass-to finish. Send for information. **MARSHCO PRODUCTS INC.** \$1.00. *Circle No. 1253.*

MITER SAW SUPERSTAND SS 2800—The Rousseau SS 2800 is a welded steel stand designed to accommodate most 10" to 15" power miter saws. Standard features include fold up self locking support wings capable of holding up to 100 lbs. A fast and accurate stop system for measurements up to 84". Locking casters for easy setup and positioning. Designed with the cabinet, picture frame, and home shops in mind, the Superstand's optional hand truck assembly enables finish carpenters to wheel the SS 2800 on and off the job site with ease. Send for information. **ROUSSEAU CO.** Free. *Circle No. 1272.*

BITS, BLADES, CUTTING TOOLS

CASCADE TOOLS—New 1992 catalog is packed full of affordably priced, industrial grade s/y brand router bits and shaper cutters as well as hard to find accessories. Also included are many new items added just this year. **CASCADE TOOLS, INC.** Free. *Circle No. 1315.*

1992 EAGLE AMERICA WOODWORKING CATALOG—All new 1992 woodworking catalog featuring over 2,000 products. Includes a wide size and style assortment of router bits, shaper cutters, brad point drills, forstner bits, plug cutters, counterbores and sinks, rosette cutters, and many other hard to find and exclusive "Made in America" items. **EAGLE AMERICA CORP.** Free. *Circle No. 1320.*

WOODWORKING TOOLS—Freud provides the finest in hand tools, carbide cutting tools, and hand held power tools. From drills and sanders to carbide saw blades and router bits. Send for catalog. **FREUD**. \$2.00. *Circle No. 1321.*

THE SOURCE FOR KNIFEMAKING SUPPLIES—We have PRE-SHAPED Blades, Rivets, Handle Materials, Baldor buffers and grinders, Polishing Wheels and Compounds, Dremel tools and Accessories, Belt Grinders and Abrasive Belts, Starrett Precision Tools, Files, Punches, Drill Bits, Panavise and Panapress, Woodcarving Tools and much more! Send for our Complete line catalog and we will include our "KNIFEMAKING PROJECT" booklet at no extra charge. **JANTZ SUPPLY**. \$3.00. *Circle No. 1330.*

PRODUCTION QUALITY CARBIDE TIPPED ROUTER BITS—MLCS Ltd. has a new 32-page catalog featuring hundreds of high quality carbide tipped router bits, shaper cutters, the Router Speed Control, the Merle Adjustable Corner Clamp, plus other Professional Woodworking Products. Prices 50% to 70% lower than elsewhere. Value, quality and prompt service guaranteed! **MLCS LTD.** Free. *Circle No. 1350.*

HARDWARE/WOOD PARTS

QUALITY OGEE FOOT MOULDING—We offer top quality hardwoods, various heights and patterns are available. These are assembled ready to install. Prices are reasonable. Send for free brochure. **BLUE RIDGE MOULDING**. Free. *Circle No. 1410.*

HARDWARE CATALOG—A unique 48-page catalog of the very finest in classic, traditional solid brass cabinet hardware. All of British or No. American manufacture. Double & single post handles, knobs, escutcheons, standard & specialty hinges, box hardware, brass screws, castors, latches, catches, locks, and more. **GARRETT WADE CO.** \$3.00. *Circle No. 1427.*

WOOD TOY PATTERNS—Patterns for all ages including children's patterns and executive toys. New catalog has many new patterns to choose from including parts and wheels. Send for new catalog and receive a coupon for free wheels and axle pegs. **TOYS AND JOYS**. \$1.00. *Circle No. 1480.*

WOODWORKS WOOD PARTS CATALOG—64 pages of American Made wood turnings. Largest selection of pegs, cups, toy wheels, dowels, hearts, cutouts, miniatures, and much more! Also includes: clocks, jewelry findings, wood accessories, and hard to find hardware. The best source for your wood needs. Immediate delivery and FREE shipping. WOODWORKS. \$1.00. Circle No. 1490.

ARMRESTS FOR YOUR CAR—Add a TracTop® sliding cushion front center armrest with pullout tray. Models for foreign and domestic bucket seat cars. Honda, Saab, Audi, Ford, GEO, Volvo, etc. Color choices. #1 worldwide for 12 years! HUSCO ENGINEERING. \$1.00. Circle No. 1960.

LEGAL IVORY—Virtually identical to animal ivory. Tagua is the nut from a tropical palm tree. Ideal for jewelry, knobs, small turnings, inlay, or scrimshaw. Box of 10 REGULAR size (up to 1 1/2" diameter) or Box of 5 JUMBO. Send for information. WOODWORKERS SOURCE. Free. Circle No. 2090.

INCOME OPPORTUNITIES

MAKE MONEY IN FURNITURE RESTORATION THE MINUTEMAN WAY—Earn \$200-\$1000 per day stripping, repairing, refinishing, mirror resilvering, and/or veneering, at home or in shop, spare time or full time. We provide complete training; no experience necessary. Free workshop teaches you latest in furniture restoration. You have to see it to believe it! Business preview video \$19.95. Send for catalog. MINUTEMAN. \$2.00. Circle No. 1661.

PICNIC TABLE PLANS—Ever thought about selling picnic tables from your yard. Here's your chance. Package includes plans for six picnic tables, including a 51" round table and children's tables. You also get a booklet on methods of assembly, jig plans and use, marketing strategies, and suggested pricing. Benefit from 10 years experience and over 1000 tables sold. WEBER WOODWORKING. \$29.96. Circle No. 1685.

MISCELLANEOUS

LOOKING FOR PIERCED TIN FOR YOUR WOODWORKING PROJECT?—We have it all. Colorful 72+ page catalog features 100's of designs in a wide variety of sizes & 14 metal finishes, including copper & brass. Do-it-yourself supplies include hard to find metal blanks, tools, patterns, kits & more! COUNTRY ACCENTS. \$5.00. Circle No. 1910.

DELPHI STAINED GLASS—80-page color catalog of stained glass and related supplies. Beveled glass, hard-to-find tools, hundreds of unique patterns, kits, books, videos, and lots more. For 18 years, we've supplied both hobbyists and professionals with quality products, friendly advice, and fast 24-hour shipping. All products guaranteed 100%. DELPHI STAINED GLASS. \$4.50. Circle No. 1920.

HI-TECH ENGRAVING—You don't have to be an artist with the System One High Speed Engraver (400,000 RPM). The incredible high speed combined with SCM's exclusive stenciling system allows you to produce professional results. You can engrave on wood, glass, metal, stone, ceramic, egg shell. It's as easy as writing with a pen. Send for information. SCM ENTERPRISES. \$1.00. Circle No. 1990.

SARAL® TRANSFER PAPER—Is wax free transfer/graphite paper which allows you to transfer your design from a sketch, pattern, template, or free-hand to any wood surface. It makes clean crisp tracings which can be erased like pencil or painted over. It's reusable. Available in 5 colors: graphite, white, red, yellow, blue. Send for Sample Package (one 8 1/2" x 12" sheet each color). SARAL PAPER CO. INC. \$5.25. Circle No. 2000.

UNICORN STUDIOS—the woodworker's complete source for musical movements, features many types of wind-up and electronic musical movements and one of the largest selections of tunes anywhere. Many unique or hard-to-find tunes. Send for a full-line catalog. UNICORN STUDIOS. \$1.00. Circle No. 2060.

IF YOU ARE INTERESTED IN RESTORING ANTIQUES—this 240-page catalog packed with unusual, hard-to-find items is just for you. Included are hundreds of essential items for antique restoration including top quality brass reproduction hardware, oil lamps and accessories, numerous wood component repair parts and kits, caning and basketry supplies, everything needed for wood refinishing, related tools, books, and a complete line of upholstery equipment and supplies. All at wholesale prices. Send for this informative catalog. VAN DYKE'S RESTORERS. \$1.00. Circle No. 2077.

UNIQUE GREENHOUSE/SCREENHOUSE IDEA—A gardener's paradise during the winter months, a bug-free screen room during the summer months. That's the concept behind the versatile new Sun-Porch. This two-in-one sunspace features sturdy aluminum framing, 1" shatter-resistant glazing, do-it-yourself assembly, and mounts readily on decks, patios, landscape ties. Color catalog includes models, prices; sent first class mail. VEGETABLE FACTORY, INC. \$2.00. Circle No. 2078.

***THE WOODWORKING SHOWS* MACHINERY, TOOLS AND SUPPLIES**—Hundreds of products for the woodworker demonstrated and sold at discount prices at every "Woodworking Show". In-depth seminars and free workshops on a variety of woodworking topics. Shows are scheduled in 28 cities. Send for free brochure. *THE WOODWORKING SHOWS*. Free. Circle No. 2095.

CARVING SUPPLIES

WOOD CARVING MACHINES AND ACCESSORIES—make all types of wood carving easy, fun and profitable. The machines do the work. Whether for sign carving, flat 3-D, decoys, panels, gun stocks or furniture, we have the proper machine for the job. Professional woodcarving for the hobbyist and superior quality for the professional. Begin your hobby or full or part-time business by ordering our catalog and price list. MARLIN INDUSTRIES. \$1.00. Circle No. 2150.

WOODCARVING TOOLS—Whittlers and carvers—Warren Tool Co. offers a complete catalog of whittling and carving, hand/power tools, sharpening stones, wood cut-outs and related wood carving supplies. WARREN TOOL CO., INC. \$1.00. Circle No. 2185.

CLAMPS

MERLE ADJUSTABLE CORNER CLAMP—Quick & easy to use. Fully adjustable from 2 1/2" x 2 1/2" to 69" x 69" in. Perfect for clamping picture frames, cabinets, or anything that requires 90° corner clamping. The Merle Clamp is cast aluminum & steel construction, a true industrial quality tool. Send today for information. MLCS LTD. Free. Circle No. 2250.

QUAKER STATE WOODWORKING SUPPLY INC.—one of the largest "Quick-Grip" and "Jorgensen" dealers on the EAST COAST. Great prices along with expert service and advice will make QUAKER STATE your supplier of woodworking clamps and acc. Information and price list. QUAKER STATE. Free. Circle No. 2260.

TOOLS ON SALE™—A division of Seven Corners Ace Hardware, Inc. has added "Bessey" clamps and "Quick Grip" clamps to their already large line of woodworking clamps. We also maintain one of the largest inventories of "Jorgensen" clamps in the country, including bar clamps, hand screws, pipe clamps, and more. Tools On Sale™ division of SEVEN CORNERS ACE HARDWARE, INC. \$1.00. Circle No. 2265.

CLOCKS

KLOCKIT'S FREE 64-PAGE COLOR CATALOG—Is packed with the largest selection of beautiful wood clock kits for all skill levels, a huge selection of quartz and mechanical clock movements, dials and accessories, turned wood parts, music movements, tools and much more for the craftsman! KLOCKIT. Free. Circle No. 2335.

FASTENING PRODUCTS

SPECIALIZING IN SQUARE DRIVE SCREWS—Offering sizes 4 x 1/2" to 14 x 3" zinc plated, stainless steel, brass plated, solid brass, and black phosphorus. Also available T-nuts, cross dowels, joint connector bolts, caps and screws. A wide variety of hand tools and drive bits. Send for literature. BRUSS FASTENER. \$2.00. Circle No. 2425.

SQUARE DRIVE SCREWS—Thousands agree—once you try them you will never want to use anything else! The square drive recess virtually eliminates work-damaging driver bit "cam-out," the deep threads result in exceptional holding power, and they are heat treated for strength. Sizes from #4 x 3/8" to #12 x 4", with stainless steel, solid brass, brass plated, and zinc plated available. Quantity discounts. Send for literature. McFEELY HARDWOODS. \$1.00. Circle No. 2450.

TECH FORGE FASTENING PRODUCTS—Save as much as 50% on the nails, staples, and brads you need for our air driven nailers and staplers. You will receive a complete catalog of all the fasteners and tools and great savings over the normal store price or even over the prices charged regularly by other mail-order firms. Don't hesitate we will save you money. TECH FORGE INDUSTRIES, INC. \$1.00. Circle No. 2475.

Worth writing for...



Better Homes and Gardens®
WOOD Magazine, September 1992
Dept. SEW092
P.O. Box 2713
Boulder, Colorado 80329-2713

TO ENSURE PROMPT HANDLING OF YOUR ORDER FOLLOW THESE INSTRUCTIONS:

- Circle your choice
- Enclose check or money order for cost of booklets plus \$2.00 service charge (no stamps accepted)
- NO FOREIGN ORDERS ACCEPTED
- Send coupon and remittance to address above
- ALLOW 4-6 WEEKS FOR DELIVERY
- Coupon expires October 11, 1993

WOOD SUBSCRIPTION

1. A 1 year WOOD subscription (9 issues) for \$24.97 (U.S. price)—a \$10.58 savings off newsstand rate. Allow 6-8 weeks for first issue. Canadian price \$34.00. Be sure to include payment with total below. NO FOREIGN ORDERS ACCEPTED ON THIS COUPON; please contact Subscription Dept. directly.

Circle numbers below corresponding to items in this issue. Please include \$2.00 for handling charge.

3.....\$2.00	85.....Free	372.....\$2.00	855.....\$4.00	1250.....Free	1661.....\$2.00	2185.....\$1.00
4.....\$1.00	91.....Free	373.....\$9.95	860.....Free	1251.....Free	1685.....\$29.96	2250.....Free
6.....\$3.00	92.....\$1.00	390.....\$1.00	920.....\$1.00	1253.....\$1.00	1910.....\$5.00	2260.....Free
10.....Free	94.....\$2.00	401.....\$1.00	950.....Free	1272.....Free	1920.....\$4.50	2265.....\$1.00
44.....Free	112.....\$2.00	470.....\$29.96	955.....Free	1315.....Free	1960.....\$1.00	2335.....Free
48.....\$1.00	142.....Free	510.....\$1.00	965.....\$2.00	1320.....Free	1990.....\$1.00	2425.....\$2.00
49.....Free	147.....Free	512.....Free	1002.....Free	1321.....\$2.00	2000.....\$5.25	2450.....\$1.00
51.....\$1.00	160.....\$1.00	514.....\$2.00	1030.....\$1.00	1330.....\$3.00	2060.....\$1.00	2475.....\$1.00
75.....Free	270.....Free	550.....\$1.00	1207.....Free	1350.....Free	2077.....\$1.00	
76.....Free	310.....\$2.00	592.....\$1.00	1225.....Free	1410.....Free	2078.....\$2.00	
77.....Free	315.....\$1.00	598.....\$1.00	1228.....Free	1427.....\$3.00	2090.....Free	
78.....\$1.00	328.....\$2.00	820.....\$1.00	1229.....Free	1480.....\$1.00	2095.....Free	
84.....Free	345.....\$3.00	830.....\$2.00	1245.....Free	1490.....\$1.00	2150.....\$1.00	

Name (please print) _____
Address _____
City _____
State _____ Zip Code _____

I AM ENCLOSING:

\$ _____ for priced items
\$ 2.00 for handling
\$ _____ total remittance

DELTA BENCH TOP TOOLS			
Model	List	Sale	
23-700	Wet/Dry Grinder 14 HP	234	155
23-880	6" Bench Grinder 14 HP	286	189
23-980	8" Bench Grinder 1/2 HP	151	115
11-950	8" Drill Press	190	144
28-160	10" Hobbs Band Saw	105	145
31-500	1" Belt Sander 2 amp	104	78
31-460	4" Belt/Disc Sander	198	145
31-380	NEW 1" Belt/Disc Sander	268	188
31-800	NEW 1" Belt/Disc Sander	134	94
40-560	1/2" 2 speed Scroll Saw	266	203
11-990	12" Bench Drill Press	276	189
11-990	32" Radial Bench Drill Press	399	285
43-355	3/4" Shopper 1-1/2 HP	964	709
43-505	1/2" Bench Router/Shaper	399	279
22-540	12" Bench Top Planer	595	398
36-220	10" Compound Miter Saw	350	235
28-180	Bench Band Saw	232	167
40-640	NEW 20" Bench Scroll Saw	466	325
23-675	NEW 6" Grnd/3x24Belt Sndr	141	105
14-600	Hollow Chisel Mortiser	668	445
46-700	12" Wood Lathe	548	419

DELTA STATIONARY			
Model	List	Sale	
34-761	10" Unisaw 1-1/2 HP	1715	1325
33-990	10" Radial Arm Saw	818	589
37-280	6" Motorized Jointer	488	395
50-179	3/4 HP 2 stage Dust Collector	483	335
50-181	2 HP Dust Collector	685	515
70-200	NEW 20" Floor Drill Press	1049	815
37-154	DJ15 6" Jointer w/3/4HP/Porter	1420	1079
33-055	8-1/4" Sawbuck comp w/legs	865	579
34-330	NEW 8-1/4" Table Saw	1343	943
34-670	10" Motorized Table Saw	511	328
32-100	Station Plate Jointer	645	265
36-040	8-1/4" Compound Miter Saw	224	165
34-915	30" Unifence	385	239
34-897	50" Delta Unifence	525	279
36-755	NEW 10" Tilt Arbor Saw	1264	919
34-444	Contractors Table Saw	850	615
34-445	34-445 Saw w/30" Unifence	1200	815
34-446	34-444 Saw w/EMS System	1310	835
28-283	14" Band Saw w/enc. stand	910	729
17-900	16-1/2" Floor Drill Press	495	395
40-601	18" Scroll Saw with stand	942	719
22-682	13" Planer complete	2189	1169

MILWAUKEE TOOLS			
Model	List	Sale	
6527	NEW Sawzall with case	299	164
6528	above Sawzall w/wired cord	295	164
6125	NEW 5" Random Orbit Sander	200	119
6126	NEW 6" Random Orbit Sander	205	125
0399-1	12V cordless Drill Kit comp	304	164
0402-1	above Drill w/keyless chuck	309	168
0395-1	9.6V cordless Drill with case	284	158
0224-1	3/8" Drill 4.5 amp magnum	203	114
0234-1	1/2" Drill 4.5A mag 0-850 rpm	223	118
0244-1	1/2" Drill 4.5A mag 0-600 rpm	223	118
0222-1	3/8" Drill 3.5 amp 0-1000 rpm	189	105
0228-1	3/8" Drill 3.5 amp 0-1000 rpm	183	102
0379-1	3/8" close quarter Drill	223	127
0375-1	1/2" close quarter Drill	254	145
6539-1	colls Screwdriver 190 rpm	127	75
6546-1	colls Screwdr 200 & 400 rpm	138	79
3102-1	Plumbers right angle Drill Kit	360	194
5399	1/2" D-hole Hammer Drill Kit	319	184
6176-1	HD Hole Hawk with case	459	245
6222-1	2 speed Sawzall with case	234	134
6750-1	Drywall Gun 0-4000 5 amp	162	93
6507	Original Sawzall with case	249	135
6170	14" Chop Saw 15 amp	489	279
6014	Orbital Sander 12 sheet	214	118
8977	variable lamp Heat Gun	122	75
5397-1	3 1/2" var. spd Hammer Drill Kit	244	138
5371-1	1/2" var. spd Hammer Drill Kit	335	185
3107-1	1/2" w/spd right angle Drill Kit	370	198
6754-1	Drywall Gun 0-4000 5.4 amp	192	114
3300-1	1/2" var. spd right angle Drill	329	184
5680	Router 2 HP - 12 amp	355	205
6215	16" Chain Saw	309	172
0235-1	1/2" Drill w/keys chuck mag	223	125
6145	4-1/2" Grinder 10,000 rpm	162	98
6142	6145 with case & access	199	129
6749-1	Drywall Gun 0-2500 5.4 amp	224	119
5353	Eagle 1-1/2" Rot. Hammer w/cse	910	499
6365	7-1/4" Circular Saw 13 amp	214	120
6367	above Saw - double insulated	209	125
6366	6365 w/enc & carbide blade	224	125
6368	6365 w/enc,carb. blade & cse	244	134
6377	7-1/4" Worm Drive Saw	324	174
6256	Top Handle Jig Saw	220	135

FREUD CARBIDE TIPPED SAW BLADES			
5/8" Bore - Industrial Grade			
Item	Description	Teeth	List Sale
LU72M010	Gen Pur. A.T.B. 10" 40	67	37
LU82M010	Cut-off 10"	60	49
LU84M011	Comb 10"	50	38
LU85M010	Super Cut-off 10"	80	112
LM72M010	Ripping 10"	24	66
LU73M010	Cut off 10"	60	42
LU87M010	Thin Kerf 10"	24	70
LU88M010	Thin Kerf 10"	60	86
LU98M010	Ultimate 10"	60	125
TK206	10" Framing	34	25
TK303	7-1/4" Finishing	40	37
TK306	10" Finishing	40	46
TK908	10" Combo	50	52
SD306	6" Dado - Carbide	215	109
SD308	8" Dado - Carbide	229	119
F10	1-3/8" x 5/8" Biscuit 1000 Qty.	32	29
F10	2-3/4" x 1" Biscuit 1000 Qty.	32	29
FA	Assorted Biscuits 1000 Qty.	34	29
FB100	16 piece Forstner Bit Set	331	165
94-100	5 pc. Piece Bit Door System	319	165
JS100	Biscuit Jointer with case	339	159
FT200E3-1/4	HP v/spd Plunge Router	410	204

NAKITA TOOLS			
Model	List	Sale	
6070DW	3/8" w/spd Reverse Drill 7.2V	124	74
6071DW	kwb/above Drill w/reverse batt.	194	109
5090DW	3-3/8" Saw Kit 9.6 volt	250	138
6010DWK3/8"	cordless Drill Kit 7.2V	173	97
6010SDW3/8"	cordless Drill Kit 7.2V	96	59
DA3000W	3/8" Angle Drill 7.2 volt	241	136
4390DW	9.6 cordless Recip Saw Kit	234	129

6012HOW 2 speed Drill w/clutch-comp.			
Model	List	Sale	
6092DW	var. speed Drill Kit complete	257	127
6093DW	w/spd Drill w/clutch-comp.	261	131
6093DWL	6093DW Drill Kit w/Flash Ltr.	299	169
6095DW	6095DW Drill Kit w/2 batteries	270	139
632007-4	9.6 volt Battery	47	30
632002-4	7.2 volt Battery	39	28

SENCO AIR NAILERS			
Model	List	Sale	
SFN1	Finishing Nailer 1" - 2"	377	275
SFN2	Finsh. Nailer 1-1/2" - 2-1/2"	571	395
SN325	Nailer 1-7/8" - 3-1/4"	665	455
SN4	General purpose 2" - 3-1/2"	685	468
LS2	Stapler 5/8" - 1"	351	255
SKS	Pinner 5/8" - 1-1/2"	351	255
LSS	Pinner 1" - 1-1/2"	399	285

BOSTITCH AIR NAILERS			
Model	List	Sale	
N80S-1	Stick Nailer	Super Sale	359
N80C-1	Utility Coil Nailer		845 409
N12B-1	Coil Roofing Nailer		845 418
N60FN-2	Finishing Nailer		625 355
T31	Brad Nailer		270 162
CWC100	1 HP Pancake Compressor		450 295

SKIL SIZZLERS			
Model	List	Sale	
3810	10" Miter Saw	263	205
3810K	3810 w/60 tooth Carbide Blade	229	77
77	7-1/4" Worm Drive Saw	230	144
5825	6-1/2" Worm Drive Saw	255	159
2735-04	12 volt cordless Drill Kit	210	134
2735-04X	2735-04 with keyless chuck	235	137
1605-02	NEW Biscuit Jointer w/case	200	119
7584	NEW 5" Rndm Orbit Sander	100	64

PANASONIC CORDLESS			
Model	List	Sale	
EY6205BC	NEW variable speed 12 volt Drill w/15 minute charger & case	390	178
EY6200B	NEW 2 speed 12 volt Drill D-handle with 15 minute charger	350	178
EY6281BC	NEW variable speed 9.6 volt Drill w/15 minute charger & case	350	159
EY571B	var. speed 9.6 volt Drill Kit	239	128
EY571BC	EY571B with case & 2 batt.	275	152
EY6207BCNEW	12 volt 1/2" Drill w/keyless chuck var. speed w/15 minute charger & case	421	218

PASLODE IMPULSE CHARGERS			
Model	List	Sale	
IM250	Trimspine Finish Nailer Kit	849	615
IM325	Impulse Framing Nailer Kit	849	615
402500	Extra Battery	Sale	42.95
402502	No-Mr Work contact element	Sale	19.25

1992 TOOL CATALOG AVAILABLE
Call Toll-Free 1-800-328-0457 In Minnesota Call (612)224-4859
FAX: (612)224-8263
CHECK - MONEY ORDER - VISA - MASTERCARD - DISCOVER
SEVEN CORNERS ACE HDW. INC.
216 West 7th St. • St. Paul, MN 55102 • Est. 1983

Buy any 2 Power Tools - (can be assorted)
Deduct additional 3% from Sale prices!

Buy any 5 Power Tools - (can be assorted)
Deduct additional 5% from Sale prices!

DELTA #34-080 10" MITRE BOX XTRA SPECIAL 198.00

TOOLS ON SALE™
AMERICA'S LOWEST PRICED TOOLS
FREE FREIGHT TO THE 48 CONTINENTAL STATES ON EVERY ITEM
PRICES SUBJECT TO CHANGE WITHOUT NOTICE

PIRANHA BY B & D CARBIDE TOOTH BLADE					
Model #	Dia.	Teeth	List	Sale	
73-716	6-1/2	18	13.70	7.55	
73-717	7-1/4	18	13.90	7.99	
73-737	7-1/4	24	17.20	9.29	
73-757	7-1/4	40	31.30	16.89	
73-759	8-1/4	40	44.65	24.99	
73-719	8-1/4	22	19.65	11.85	
73-715	5-1/2	16	13.70	7.99	
73-740	10	32	32.98	17.95	
73-770	10	60	67.02	33.95	

PORTA NAILER	
401	Porta Nailer complete.....265 189
501	Face Nailer complete.....265 189

We stock genuine Porta nails!

WERNER LADDERS	
6204	4' Fiberglass.....179 65
6205	5' Fiberglass.....199 75
6206	6' Fiberglass.....215 80

SUMMER KIT SPECIALS	
6093DWH	Makita cds var. spd Drill Kit w/clutch & brake. Includes extra battery & holster.....313 167
9852K	Porter Cable 9852 Drill Kit w/extra batt 185
9853K	Porter Cable 9853 Drill Kit w/extra batt 185
7334K	Porter Cable 5" Random Orbit Sander with case & 1 roll 100X & 150X discs.....253 152
7335K	Porter Cable 5" var. spd Random Orbit Sndr w/cse & 1 roll 100X & 150X discs.....273 162
7336K	Porter Cable 6" var. spd Random Orbit Sndr w/cse & 1 roll 100X & 150X discs.....278 169
555K	Porter Cable Plate Biscuit Jointer with case & 1000 assorted biscuits.....339 192
JS100K	Freud Jointer w/cse & 1000 biscuits/351186
1581VSK	Bosch Top Handle Jig Saw with case & 30 Bosch blades.....305 182
1582VSK	Bosch Clc Barrel Grip Jig Saw with case & 30 Bosch blades.....305 182

BIESMEYER FENCES	
B-50	50' Commer. Saw Fence.....329 295
T-SQUARE	46' Homeshop Fence.....249 235
T-SQUARE	40' Homeshop Fence.....242 209

WEDGE SMART LEVEL	
SM-PR2	2 FT Level with sensor 120 88
SM-PR4	4 FT Level with sensor 150 105
SM-PR6	78" Level with sensor 180 139
SERIES200	NEW 2FT Level with sensor 54.95

Mx636 FEIN Electric Oscillating	
Triangle Sander Kit	Sale 279
LPN672 PONY Air Palm Nailer w/glove	Sale 94.99

JORGENSEN ADJUSTABLE HANDSCREWS					
Item#	Length	Cap	List	Sale	Box of 6
#1	8"	4-1/2"	19.00	11.89	61.00
#2	12"	6"	21.76	12.89	70.85
#3	14"	8-1/2"	24.95	14.95	80.95
#4	16"	10"	31.61	18.95	104.95
#4	16"	12"	42.30	24.95	143.95

JORGENSEN STYLE 37 2-1/2" Throat 1/4" x3/4"					
Item#	Jaw	Length	List	Sale	Box of 6
3706	6"	9.86	6.25	34.75	
3712	12"	10.92	6.75	37.75	
3718	18"	12.05	7.25	40.75	
3724	24"	13.16	8.19	43.75	
3730	30"	14.70	9.10	49.75	
3736	36"	16.05	10.19	55.75	

PONY CLAMP FIXTURES		
Model	List	Sale
50 3/4"	Black Pipe Clamps 13.61	7.89 84.99
52 1/2"	Black Pipe Clamps 11.37	6.50 69.50

BOSCH		
1581VS	Top Handle Jig Saw.....265 131	
1582VSK	NEW CLC Barrel Jig Saw.....265 131	
Bosch Metal Case for above Jig Saws	34 32	
Bosch 30 blade assortment for Jig Saws	26.99 945	
1942	Heat Gun 600° - 900°.....111 69	
1272D	3" x 24" Belt Sander with bag 329	178
1273D	4" x 24" Belt Sander with bag 345	187
1194VSR1/2"	var. speed Hammer Drill	264 145
1194VSRK	above Hammer Drill w/case	292 179
1608	5.6 amp Laminate Trimmer	149 84
1609K	Lam Installers Kit with 1609.....309 175	
1609KX	Deluxe Installers kit.....361 198	
1601	1 HP Router.....184 110	
1602	1-1/2 HP Router.....21	

TRUE COLORS

Chlorophyll's green pigments give leaves their spring and summer color. But during the fall, fair-weather green takes a backseat to brighter hues.

When shorter days make the sun's rays dwindle, causing chlorophyll levels in the leaves to drop, two other groups of pigments take over. According to the Arbor Day Foundation, *carotenoids* bring on the marvelous yellow, orange, and brown colors. *Anthocyanins* produce the reds and purples.

WANTED: WOODWORKERS

"Secondary wood processing in the U.S. is a \$28 billion industry, and architectural woodworking is part of that," says Greg Heuer, national director of member services for the Architectural Woodwork Institute (AWI). Loosely defined, architectural woodworking means working with wood that's destined to become part of a building—interior and exterior molding and trim, doors and windows, cabinets, etc.

"We're always looking for highly qualified woodworkers," Greg adds. To that end, AWI has set up a clearinghouse for experienced woodworkers seeking jobs.

According to Greg, woodworkers who feel qualified must submit an updated resume that includes experience, education (even seminars count), and areas of interest (millwork, cabinetmaking, installation, etc.). There's also a need for project managers, cost estimators, and mechanical draftpersons. If interested, send a current resume and an introductory letter to: *Career Network, Architectural Woodwork Institute, P.O. Box 1550, Dept. WD, Centerville, VA 22020-8550.*

Illustrations: Brian Jensen

**FRONT
&
CENTER**
WOODWORKERS WHO
MAKE A DIFFERENCE

Name:

Marvin Krauss

Age: 63

Home:

Brooklyn, N.Y.

Occupation:

Retired school
custodial foreman

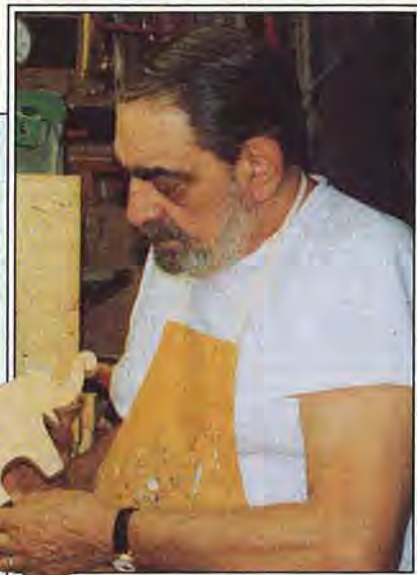
WOOD® connection:

Subscriber since 1989

In years gone by, when Marvin Krauss wasn't making Brooklyn's George Westinghouse Vocational and Technical High School a better place for students, he was in his home shop crafting toys for disadvantaged kids in the city. In fact, during the last few years Marvin has spread his love—through toys—all across Brooklyn. In appreciation, organizations have singled him out for his thoughtful, kind, and caring ways.

The Caritas Award, presented to Marvin in 1989 by the Catholic Teachers Association, diocese of Brooklyn, perhaps sums up everyone's feelings about him. It states: "To Marvin Krauss, whose munificence in sharing his heart, his life, and his talents gladdens the lives of children with his toys of love."

The beneficiaries of Marvin's handcrafted handouts often refer to him as "Mr. Geppetto, the toymaker." Barbara, his wife of 39 years and the person who



Home woodworker Marvin Krauss has donated his handcrafted toys to needy, and often chronically ill, children throughout the borough of Brooklyn. His wife, Barbara, submitted his name to this column.

submitted his name to this issue's FRONT & CENTER, couldn't agree more.

"Over the last six years, Marvin has made and donated thousands of toys to the deprived, orphaned, and handicapped," she says. Marvin feels flattered with the awards he's received, but that's not what counts. "Many of my toys go to chronically ill children who can't even handle them. But the toys still thrill them, and that makes me feel wonderful," he says.

Do you know a subscriber who makes a difference? Send details to: Front and Center, WOOD magazine, 1912 Grand Ave., Des Moines, IA 50309-3379.

PLANT A TREE WITH HISTORY

For about \$35, you can get a sapling that sprouted from the seeds of a tree growing at George Washington's Mt. Vernon or Abraham Lincoln's home at New Salem, Illinois. A program of the American Forestry Association, Famous and Historic Trees represents a collection of seeds from the homes or birthplaces of American presi-

dents, as well as other historic sites. Each tree bears a signed certificate of authenticity. For information, write: *Famous and Historic Trees, 8555 Plummer Rd., Jacksonville, FL 32219, or call 800/677-0727.* 🌲



NOW! PLANE, MOLD, SAND and SAW with

Infinitely Variable Power-Feed!

**MAKES YOU MONEY...
SAVES YOU MONEY!**

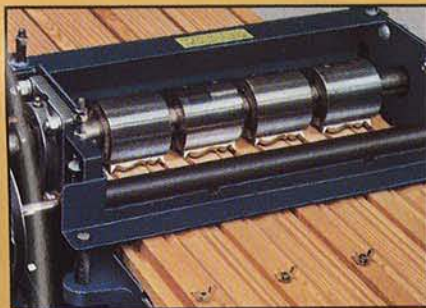
Put this versatile power-feed tool to work in your shop... see how fast it pays for itself! Quickly converts low-cost rough lumber into valuable finished stock. Turns out perfect picture frame moldings, quarter-round, casing, tongue and groove... all popular patterns... any custom design.

✔ **Just a twist of the dial** puts twice as many cuts-per-inch at your fingertips as any comparable planer – from 70 to over 1,000 CPI! This heavy-duty machine will sail through even the toughest oak at higher speeds, or you can slow it down to handle those “hard-to-work” pieces like curly maple, knotty cedar, burls, knees and much more! A valuable feature for molding work, where profiles make sanding impossible.

✔ **Change to Molding, Sanding or Sawing in just minutes!** Unique “Morse-Taper” Quick Change Cutterhead guarantees fast changeover... bearings remain factory set... precisely aligned at all times.

✔ **Now choose from three powerful models!** Woodmaster introduces the first 18” and 25” Planer/Molders... with all the features that have made the 12” model the most versatile Planer/Molder on the market! Send for Free Facts today!

**FREE
30-DAY
TRIAL!**



Woodmaster's Quick-Change Molding Head lets you create custom moldings from any stock. Choose from over 250 standard trim and picture frame patterns... or design your own!



Power-fed sanding speeds production and improves the quality of your work. No more waves or cross-grain scratches. Separate sanding head installs in just minutes.



New rip saw attachment lets you gang-rip with power feed in a fraction of the time it takes for multiple hand-fed passes on an ordinary table saw.

**MAIL TODAY OR CALL
1-800-821-6651 Ext PW55**



YES! Please rush me your FREE Information Kit plus details on your 30-DAY FREE TRIAL GUARANTEE!

Woodmaster Tools, Dept. PW55, 2908 Oak, Kansas City, MO 64108

NAME _____

ADDRESS _____

CITY _____

STATE _____ ZIP _____

PHONE () _____

Here's What Woodmaster Owners Say:

Shop Test Results—“It does an excellent job of planing, on a par with more expensive machines, and even better than some commercial models.”

Editor, Workbench Magazine

Best Value—“After checking them all, Woodmaster was obviously the best deal for the money. Also, I would like to acknowledge the polite and prompt service.”

E. D. Holtz, North Carolina

LOOK UNDER THE HOOD.

It's a classic machine. The Delta Unisaw® 10" Tilting Arbor Saw. Standard of the industry.

Start it up and you know this is a serious saw.

But like any classic, it's what's under the hood that makes this baby hum.

We introduced the Unisaw back in 1937, and we've been trying to improve on it ever since. No easy task.

So when we hear someone say "They don't make 'em like they used to", we steer them toward our Unisaw.

That's exactly what we're trying to do here. So if you need a little extra incentive to own one of our classics, check out our rebate offer below.

For the name of your participating Delta Distributor, call toll free: Delta International Machinery Corp. 800-438-2486. In Canada, call: 519-836-2840.

*Offer good only from participating distributors in the continental U.S., Alaska, Hawaii and Canada, from Aug. 1 thru Dec. 31, 1992. To qualify, machines must be purchased complete with motors, and electricals.

Get a \$100 rebate* from Delta when you buy one of these classics: Our Combination 6" Belt / 12" Disc Sander, 8" Precision Jointer, Unisaw 10" Tilting Arbor Saw and Heavy Duty Wood Shaper.



Massive, widely spaced, saw carriage trunnions disperse vibration. Modified Acme thread on worm gear prevents sawdust from jamming trunnion rack. Machined steel motor and arbor pulleys won't overheat or expand.



Big 27" x 36" cast-iron table (with wings) is ribbed to prevent warping and springing. T-slots on either side of blade hold Auto Set® miter gage securely.



Factory set, adjustable blade stops at 90° and 45° provide lifetime accuracy.

Available in 1½, 3 and 5HP models. Equipped with either our exclusive Jet Lock, Micro-Set® rip fence or premier Unifence® saw guide.



Three-belt drive supported between ball bearings to minimize deflection. Precision ground arbor is flange-faced after assembly to reduce run-out. Arbor carried in two sealed ball bearings, mounted in precision bored seats for less vibration, longer bearing life.



Building
On Tradition
DELTA
A Pentair Company