

Better Homes and Gardens®

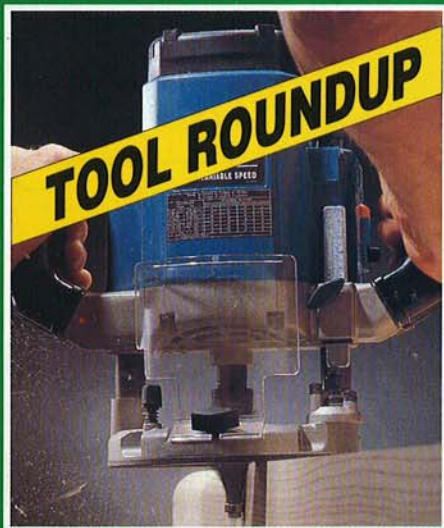
WOOD

NEW PRODUCT
Special Section
See page 50

THE WORLD'S LEADING WOODWORKING MAGAZINE

NOVEMBER 1992 • ISSUE NO.56

Please display until November 9



**16 PAGES OF
ROUTERS, SAWS,
DRILLS & MORE**

**BUILD OUR IDEA
SHOP SANDING-
SUPPLY CENTER**

**HOW TO PROTECT
YOUR SHOP
FROM THIEVES**

**CRAFT THESE
HOLIDAY IDEAS**



\$4.95



6" x 48" COMB. SANDER
MODEL G1014
ONLY \$195⁰⁰

F.O.B. BELLINGHAM, WA or WILLIAMSPORT, PA

ASK ANYONE!

We are still the only company in the U.S. to provide a reference service whereby we will locate a customer near you who has bought a piece of equipment you are interested in and from whom you may get a first-hand, unbiased report on our equipment and service. **NOW THAT'S CONFIDENCE!**



IMPORTS, INC.

"IMPORTERS OF FINE MACHINERY"



24" DRUM SANDER
MODEL G1066
ONLY \$1095⁰⁰

F.O.B. BELLINGHAM, WA or WILLIAMSPORT, PA



2 H.P. DUST COLLECTOR
MODEL G1029
ONLY \$295⁰⁰

F.O.B. BELLINGHAM, WA or WILLIAMSPORT, PA



10" HEAVY DUTY TABLE SAW
MODEL G1022
Reg. \$365 SALE \$355⁰⁰

F.O.B. BELLINGHAM, WA or WILLIAMSPORT, PA



SUPER HEAVY-DUTY TABLE SAW
MODEL G1023
ONLY \$895⁰⁰

F.O.B. BELLINGHAM, WA or WILLIAMSPORT, PA



22" SCROLL SAW
MODEL G1060
ONLY \$149⁹⁵

A LARGE CAPACITY SCROLL SAW AT AN UNBEATABLE PRICE!



15" PLANER
MODEL G1021
ONLY \$735⁰⁰

F.O.B. BELLINGHAM, WA or WILLIAMSPORT, PA

(STAND IS OPTIONAL)



20" PLANER
MODEL G1033
ONLY \$1,295⁰⁰

F.O.B. BELLINGHAM, WA or WILLIAMSPORT, PA



WOOD SHAPER
MODEL G1024
ONLY \$275⁰⁰

F.O.B. BELLINGHAM, WA or WILLIAMSPORT, PA



1-1/2 H.P. SHAPER
MODEL G1035
ONLY \$495⁰⁰

F.O.B. BELLINGHAM, WA or WILLIAMSPORT, PA



3 H.P. SHAPER
MODEL G1026
ONLY \$850⁰⁰

F.O.B. BELLINGHAM, WA or WILLIAMSPORT, PA



6" x 47" HEAVY DUTY JOINTER
MODEL G1182

Reg. \$375 SALE \$345⁰⁰

F.O.B. BELLINGHAM, WA or WILLIAMSPORT, PA



8" x 65" SUPER HEAVY DUTY JOINTER
MODEL G1018

Reg. \$695 SALE \$650⁰⁰

F.O.B. BELLINGHAM, WA or WILLIAMSPORT, PA



16" BAND SAW
MODEL G1538
ONLY \$525⁰⁰

F.O.B. BELLINGHAM, WA or WILLIAMSPORT, PA

IF YOU LIVE WEST OF THE MISSISSIPPI

P.O. BOX 2069
 BELLINGHAM, WA 98227
 Customer Service: (206) 647-0801

ORDERS: **1-800-541-5537**



IF YOU LIVE EAST OF THE MISSISSIPPI

2406 REACH ROAD
 WILLIAMSPORT, PA 17701
 Customer Service: (717) 326-3806

ORDERS: **1-800-523-4777**



WOW! TALK ABOUT A TOUR GROUP!

Over the past several years, lots of *WOOD*® magazine readers have dropped in on us to take a tour of our shop and meet the staff. We even had a couple of readers from South Africa visit us once. But recently, we entertained our largest group ever. Forty-three members of the Kansas City Woodworkers' Guild—the folks in the photo above—made the 190-mile trek from Kansas City to Des Moines on a charter bus to pay us a visit. And we're flattered that they did.

Fortunately, Guild Treasurer Tom Hogard gave us some advance notice so that we could get set up for the group. *WOOD* Managing Editor Jim Harrold, our guide for the day, treated the group to a slide show of *WOOD* magazine's IDEA SHOP™, a tour of our offices, and a look at the 1992 Build-A-Toy™ entries. They also saw our on-premises shop where we build the projects you see in the magazine. Here's hoping that you all had a great time. And thanks for coming to see us.

GIVE US YOUR TWO-CENTS WORTH WE NEED YOUR INPUT

I've got a favor to ask. On pages 31 and 32 of this issue, we've included a list of questions we'd like to get your responses to. Filling in your answers won't take long, and the information we gather from this survey will help us keep *WOOD* magazine focused

on those subjects and projects that best serve your woodworking needs. Thanks in advance for helping us serve you. ♣

Larry Clayton

Photograph: John Hetherington

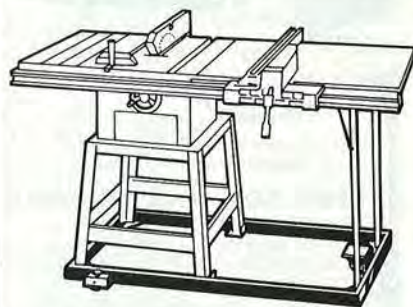
SUBSCRIPTION SERVICE: For a change of address it is best for you to directly contact your local Postmaster who then will notify us. For any other service on your subscription, please write *WOOD* Customer Service, P.O. Box 55050, Boulder, CO 80322-5050 (enclose a recent label from your magazine for better service). Or you may phone toll-free 800-374-9663.

EDITORIAL MAILING ADDRESS: *WOOD* magazine, 1912 Grand Ave., Des Moines, IA 50309-3379.

WE CARE!

Put Your Entire Shop On Wheels

MOBILE MACHINE BASES



- Increase your working area
- Store machines when not in use
- Hundreds of models available
- Precision welded steel construction
- Three 2-1/2" wheels for stability
- Dual wheel locks provide positive positioning
- Lifetime warranty

Call for a free catalog



HTC Products, Inc.
120 E. Hudson • P.O. Box 839
Royal Oak, Michigan 48068-0839

(800) 624-2027



Save Money on Solid Hardwood Furniture DO-IT-YOURSELF KITS

Now, you can furnish your home with the very finest solid cherry and oak furniture, and clocks, at a fraction of retail cost.

Imagine a bedroom in solid cherry at a cost of hundreds, instead of thousands.

Picture your living room in Queen Anne Styling. Tables, lowboy, secretary desk. All this from easy-to-assemble kits and easy-to-apply finish.

All parts pre-cut. All frames, doors pre-assembled for you.

Thousands of satisfied customers.



Send \$1.00 for Color Catalog

Name: _____
Street: _____
City: _____
State: _____ Zip: _____

EMPEROR® CLOCK COMPANY

WORLD'S LARGEST MANUFACTURER OF GRANDFATHER CLOCK AND FURNITURE KITS
Dept. 4517 Emperor Industrial Park
Fairhope, AL 36532
Tel: 205-928-2316

PORTER+CABLE

"Quicksand" Random Orbit Disc RIOT!



"Quicksand" Model #333
ONLY \$78⁰⁰ Sanders Shipped
Freight FREE!
(WILL MEET or BEAT any NATIONAL PRICE!)

5" Velcro "BULLDOG GOLD"
"D" Weight Discs with 5-Hole Pattern



BUY 50...Get 50 FREE!

Only \$29.99 Per 100 Discs!

Available in 50 per grit size. Mix/match O.K. 1 80, 100, 120, 150, 220 or an assortment of 25 each 80, 120, 150, 220 for only \$34.99



"Quicksand" Model #332
ONLY \$68⁰⁰ Sanders Shipped
Freight FREE!
(WILL MEET or BEAT any NATIONAL PRICE!)

5" STICKY
"BULLDOG GOLD"
"D" Weight Discs



BUY 50...Get 50 FREE!

Only \$20.99 Per 100 Discs!

Available in 50 per grit size. Mix/match O.K. 1 80, 100, 120, 150, 180, 220, 320 or an assortment of 25 each 80, 120, 150, 220 for only \$25.99

FREE SHIPPING on EVERY ORDER! Offer good to 11-30-92

For Fast Delivery

1-800-776-5467

Visa MasterCard
 Discover COD add \$4.75
PA Residents add 6% Sales Tax.

QUAKER STATE WOODWORKING SUPPLY

R.D. #9 • Box 9386 • Dept. MA92 11-B
READING, PA 19605

Better Homes and Gardens®

WOOD®

THE WORLD'S LEADING WOODWORKING MAGAZINE

This issue's cover wood grain: maple

Cover photos: Wm. Hopkins

NOVEMBER 1992

ISSUE NO. 56

CRAFTSMAN CLOSE-UP 37 Carved intarsia

Find your woodworking niche, develop a line of attractive designs, and the world of small business will welcome you with open arms. That's the message of Maine's successful craftsperson Ellen Harrington, a carved-intarsia specialist who hand-paints her every work.



GIFT SECTION

Holiday horn of plenty 40

Add spice to this year's Thanksgiving festivities with a colorful carved-intarsia project that symbolizes our country's great bounty.

Tabletop Tom 42

Scrollsawers, you'll count your blessings this November once you see this stylized, two-part turkey cutout, complete with full-sized patterns.

Grateful Pilgrims 44

Looking for two terrific table decorations for your holiday dinner? Try carving this handsome couple in the old-world flat-plane tradition.

Alpine Santa 48

It's not too soon to get in the spirit of Christmas with this delightful decoration of Santa on snow skis.

HOT NEW PRODUCTS

15 Top-performing woodworking products 50

Be a better woodworker with the precision, quality, and general usefulness of the products found here. We tested each one to make sure they're a good fit for your shop.



WELCOME

A boutique best seller! Not only does it say "welcome", but it plays a Christmas melody with lights blinking in time to the music. About 17" high.
#01570 Plans 4.00
#04570Z Plans and Parts Kit 12.00
#04570 Parts Only: 8.75/Ea, 23.85/3, 68.00/10

RUDY

Push his nose and he plays a Xmas melody while lights in his antlers blink time with the music.
#01569 Plans 3.50
#04569Z Plans and Parts Kit 8.20
#04569 Parts Only: 6.70/Ea, 15.90/3, 48.30/10



Parts Kits include all needed items to complete the project - EXCEPT LUMBER

MERRY CHRIS-MOOSE

Features a push button that plays "Rudolph" with flashing red nose. About 22" wide.



#01574 Plans 3.00 #04574Z Plans & Parts Kit 8.50
#04574 Parts Only: 6.85/Ea, 18.90/3, 57.30/10

CRAFTER'S MART

P.O. BOX 2342-W • GREELEY, CO 80632
64-Page CATALOG: \$2 with credit towards first order, Free with any order. Check, MasterCard or VISA (include daytime phone, card no., exp. date & signature).
PROCESSING CHARGE: Continental U.S. \$4; AK, HI, APO & FPO \$10; Canada \$16; Foreign 20% plus \$10 (U.S. Funds). CO Res. add 3% tax.
PHONE ORDERS: 8am-5pm Mon-Fri, 9am-4pm Sat., Mountain Time. **1 - 800 - 999-3445**
Info: (303) 351-0676

Affordable elegance 58

Bring light to a dark corner in your home with this inexpensive, good-looking table lamp. We fashioned ours with quilted maple for added effect, and used a basic lamp kit for the simple, straightforward wiring.



DEVELOP YOUR SHOP SKILLS

How to sharpen and use a scraper 60

When members in a wood joint don't even up, you can get mad, or get a scraper and quickly make things right. Let us show you how.

Is your shop secure from thieves? 62

Tools cost money, and big tools cost big money. Protect your investment from burglary with the crime-stopping advice gathered here.

TOOL BUYMANSHIP

Tool-buyer's roundup 64

See what power-tool models best meet your needs in our reviews listed below.

Cordless drills.....	64
Drill presses.....	66
Jointers.....	68
Portable belt sanders.....	70
Routers.....	72
Scrollsaws.....	74
Tablesaws.....	76
Thickness planers.....	78



IDEA SHOP

Sanding-supply center 80

This innovative wall-hung storage unit provides a home for six separate sanding items, including belts, strips, rolls, discs, and more.



SHORT-SUBJECT FEATURES

Editor's Angle	1	Manufacturers Listing	86
Talking Back	8	Hands-on Handles	88
Tips From Your Shop	16	Great Ideas For Your Shop	90
Products That Perform	27	Ask WOOD®	92
Reader Survey	31	Yesterday's Tools	96
Wood Anecdote	34	Finishing Touches	104

Reliant™

POWER TOOLS



Value Plus Performance
At Discount Prices

4-Speed 1 HP 14" Band Saw

- Special motor mount eliminates vibration.
- 1 HP motor (4 speeds: 160, 220, 335 & 3000 SFM).
- Independently adjustable blade guides.
- 13 3/4" x 13 3/4" table tilts 45° right & 10° left.
- Capacities 6 1/4" under blade guides; 13 3/4" frame to blade.
- Stand & miter gauge included.

DD90 Only **\$299⁹⁵**
Includes Shipping

1-Year Limited Warranty

1-800-767-9999

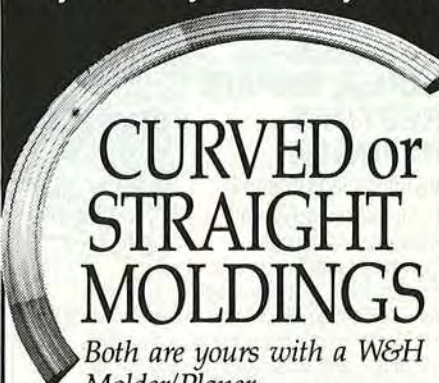
To order at this special price, mention Dept WD112 to our operator.
Fast FREE Shipping to 48 States MA, ME, RI Res. Add Sales Tax

Offer Expires 12/31/92

Trend-lines®

Dept. WD112 • 375 Beacham St • Chelsea MA 02150
For Free Catalog Call-1-800-366-6966

Anytime Anywhere Anywood



CURVED or STRAIGHT MOLDINGS

Both are yours with a W&H Molder/Planer

Thousands of professionals and serious woodworkers use our American-made cast iron molder/planers to produce smooth moldings, raised panels, crowns and curved molding.

In the shop or at the job site, W&H meets your needs every day with quick knife changeover and ultimate versatility with all kinds of wood.

Over 40 years of experience supports our products with a 5 year warranty! Call or write today for our FREE information kit!

800-258-1380 (USA) 603-654-6828
FAX 603-654-5446

Williams & Hussey
Machine Co., Inc.



Dept. 232KM
P.O. Box 1149 Wilton, NH 03086

GIFTVERGNÜGEN*



*VERGNÜGEN: A German noun meaning delight or pleasure. GIFT: Something attractive, valuable and made on a HEGNER, the saw with SCROLLVERGNÜGEN.

This year, enjoy the pleasure of making personalized gifts and saving money with the world's #1 rated scroll saw! Call now for FREE details! ☎ 1-302-322-2226

Please send me FREE information on HEGNER Precision Scroll Saws. 498

Name _____
 Address _____
 City, State _____
 Phone _____ Zip _____

ADVANCED MACHINERY IMPORTS

P.O. Box 312, Dept. 498
 New Castle, DE 19720
 FAX 302-322-3479

WOODWORKER'S CATALOG

Over 4000 products to **BUILD, REPAIR, RESTORE, REFINISH** anything made of wood!

It's the catalog woodworkers rely on - 116 pages jam-packed with fine woods, veneers, tools, finishing supplies, and much more—all top quality, all reasonably priced, all with our 60-day no-questions-asked guarantee. For your 2-year subscription send \$1.00 to:



2 year subscription **Only \$1.00**

CONSTANTINE
 Serving Woodworkers for 181 years

Dpt. 35211, 2050 Eastchester Rd., Bronx, NY 10461

The Woodturners Catalog

Craft Supplies USA offers the finest selection of woodturning tools and accessories anywhere.

- Woodfast Lathes
 - Carbatec Mini Lathe
 - Henry Taylor Tools
 - Dale Nish Workshops
- Send \$2.00 for your 48 page color catalog. Refunded with order.

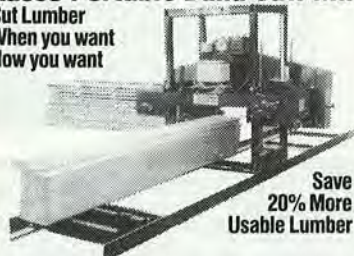


Craft Supplies USA
 1287 E 1120 S
 Provo UT 84606

In a hurry?
 Call (801) 373-0917

Kasco Portable Band Saw Mill

Cut Lumber When you want How you want

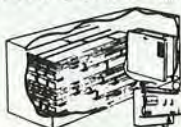


Save 20% More Usable Lumber

- 24" and 30" diameter capacities
- Power-thru cut or manual
- Market your own lumber
- Prices start at \$5,295 plus freight

KASCO MANUFACTURING CO. INC. 170 W. 600 N.
 Shelbyville, IN 46176 • (317) 398-7973

DRY YOUR OWN LUMBER...



...With an EBAC Wood Drying System

- 3 MODELS UNDER \$3000
- RUNNING COSTS ABOUT 3¢-5¢ PER BF

If you thought you couldn't afford your own dry kiln — NOW YOU CAN!

CALL TODAY 1-800-433-9011



EBAC LUMBER DRYERS
 106 John Jefferson Rd., Suite 102
 Williamsburg, VA 23185

1-800-433-9011 • FAX (804) 229-3321
 in Canada: 416-985-2123 • FAX (416) 985-3708

Better Homes and Gardens® WOOD®

THE WORLD'S LEADING WOODWORKING MAGAZINE

November 1992 • Vol. 9, No. 8 • Issue No. 56

Editorial/Art Staff

Editor **LARRY CLAYTON**
 Managing Editor **JIM HARROLD**
 Art Director **C. L. GATZKE**
 Design Editor **JAMES R. DOWNING**
 Senior Editor **PETER J. STEPHANO**
 How-To Editor **MARLEN KEMMET**
 Products/Techniques Editor **BILL KRIER**
 Special-Interest Editor **LARRY JOHNSTON**
 Associate Art Director **PERRY A. McFARLIN**
 Graphic Designer **CHERYL A. CIBULA**
 Project Builder **JAMES E. BOELLING**
 Production/Office Manager **DARLENE REYNOLDS**
 Administrative Assistant **MARGARET CLOSER**
 Secretary **ROSEMARIE BURCH**

Technical Consultants: Product Testing **GEORGE GRANSETH, BOB McFARLIN**; Products That Perform **STEVE OSWALT**; Wood Science **PAUL McCLURE**; Collectible Tools **PHILIP WHITBY**; Carving **HARLEY REFSAL**; Projects **CHUCK HEDLUND**

Publisher **WILLIAM R. REED**

Advertising Director **CHRIS W. SCHRAFT**
 Advertising Representatives **CRAIG KAPLAN, BRENDAN DELANEY, VICTORIA PELCYGER**
 Promotion/Research Director **EILEEN SULLIVAN**
 Advertising/Marketing Services Manager **SIGRID FOLKERS**
 Advertising Assistant **KIMBERLY DAVIS**
ADVERTISING OFFICES: 750 Third Ave., New York, NY 10017. Phone 212/551-6903.

Circulation Manager **ALAN BRUSH**
 Newsstand Circulation Director **MICHAEL SENIOR**
 Business Manager **TERRY UNSWORTH**
 Production and Technology Director **ROBERT C. FURSTENAU**

Magazine Group Officers

President: **WILLIAM KERR**. Vice Presidents/Publishing Directors: **JERRY WARD, ADOLPH AUERBACHER, CHRISTOPHER LEHMAN, MYRNA BLYTH, ROBERT MATE**. Vice Presidents/Better Homes and Gardens: **JERRY KAPLAN, DAVID JORDAN**. Vice Presidents/Metropolitan Home: **STEPHEN BURZON, DOROTHY KALINS**. Vice President Operations: **DEAN PIETERS**. Vice President Finance: **MAX RUNCIMAN**. Vice Presidents/Marketing: **WILLIAM MURPHY, CLEM SEVDE**.

Corporate Officers

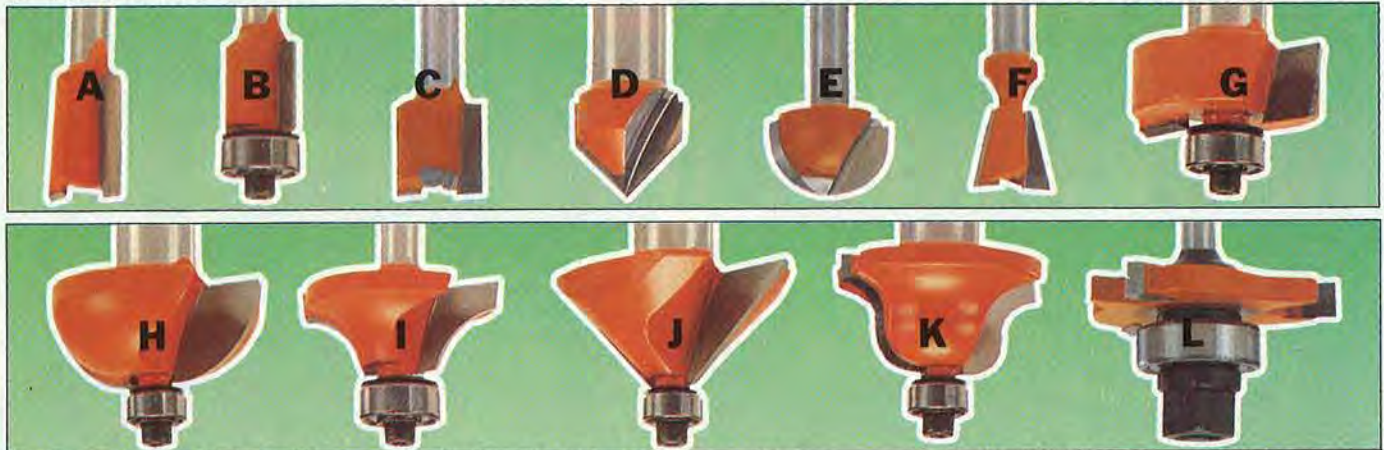
Chairman of Executive Committee **E.T. MEREDITH III**
 Chairman of the Board, President,
 Chief Executive Officer **JACK D. REHM**
 Group Presidents: Books **JOSEPH J. WARD**; Broadcasting **PHILIP A. JONES**; Magazines **WILLIAM T. KERR**; Real Estate **ALLEN SABBAG**

Better Homes and Gardens® WOOD® (ISSN-0743-894X) is published nine times a year in January, February, April, June, August, September, October, November, and December by Meredith Corporation, 1716 Locust St., Des Moines, IA 50309-3023. Second-class postage paid at Des Moines, Iowa, and at additional mailing offices. Better Homes and Gardens trademark registered in Canada and Australia. Marca Registrada en México. ONE-YEAR SUBSCRIPTION PRICES: U.S. and its possessions, \$24.97; Canada, \$34; other countries, \$38. POSTMASTER: Send address changes to WOOD, P.O. Box 55050, Boulder CO 80322-5050. ©COPYRIGHT MEREDITH CORPORATION 1992. ALL RIGHTS RESERVED. PRINTED IN U.S.A. Canadian GST Reg. #R123482887.



At CMT Only Our Service Exceeds Our Quality

What is CMT quality? It's baked-on Teflon, anti-kickback design, Fatigue-Proof Steel & mirror-finish micrograin carbide. What is CMT service? It's a courteous, knowledgeable staff, fast shipping & delivery and the industry's best warranty!



A. Carbide Mortising Bits

ITEM #	SHANK	DIA.	CUT LGTH.	PRICE
801-127	1/4"	1/2"	3/4"	\$10.70
801-127B	As above with top bearing			\$17.90
801-158	1/4"	5/8"	3/4"	\$16.60
801-158B	As above with top bearing			\$22.30
801-627	1/2"	1/2"	3/4"	\$14.30
801-817	1/2"	1-1/4"	1/2"	\$20.90
801-817B	As above with top bearing			\$27.20

Many more sizes available, call 1-800-531-5559

B. Carbide Flush Trim

ITEM #	SHANK	DIA.	CUT LGTH.	PRICE
806-095	1/4"	3/8"	1"	\$16.40
806-096	1/4"	3/8"	1/2"	\$16.00
806-127	1/4"	1/2"	1"	\$16.40
806-128	1/4"	1/2"	1/2"	\$14.20
806-627	1/2"	1/2"	1"	\$16.10
806-628	1/2"	1/2"	1/2"	\$17.40
806-629	1/2"	1/2"	1-1/2"	\$18.40
806-630	1/2"	1/2"	2"	\$25.50

C. Carbide Straight Bits

ITEM #	SHANK	DIA.	CUT LGTH.	PRICE
811-064	1/4"	1/4"	3/4"	\$14.80
811-081	1/4"	5/16"	1"	\$12.30
811-096	1/4"	3/8"	1"	\$12.30
811-127	1/4"	1/2"	3/4"	\$14.40
811-158	1/4"	5/8"	3/4"	\$15.40
811-191	1/4"	3/4"	3/4"	\$14.20
811-564	1/2"	1/4"	3/4"	\$15.30
811-595	1/2"	3/8"	1"	\$14.20
811-628	1/2"	1/2"	1"	\$15.20
811-660	1/2"	5/8"	1"	\$18.40
812-690	1/2"	3/4"	1-1/2"	\$21.40

Many more sizes available, call 1-800-531-5559

D. Carbide V-Groove Bits

ITEM #	SHANK	DIA.	CUT LGTH.	PRICE
815-064	1/4"	1/4"	5/16"	\$17.40
815-127	1/4"	1/2"	1/2"	\$20.50
815-660	1/2"	5/8"	1/2"	\$23.40
815-690	1/2"	3/4"	5/8"	\$23.00

E. Carbide Round Nose Bits

ITEM #	SHANK	DIA.	CUT LGTH.	PRICE
814-032	1/4"	1/8"	3/8"	\$17.80
814-064	1/4"	1/4"	1/2"	\$14.30
814-095	1/4"	3/8"	1/4"	\$20.40
814-127	1/4"	1/2"	3/8"	\$22.40

Many more available, call 1-800-531-5559

F. Carbide Dovetail Bits

ITEM #	SHANK	DIA.	LGTH.	ANGLE	PRICE
818-128	1/4"	1/2"	1/2"	14°	\$16.90
818-628	1/2"	1/2"	1/2"	14°	\$19.10

Many more available, call 1-800-531-5559

G. Carbide Rabbeting Bits

ITEM #	SHANK	DIA.	DEPTH	LGTH.	PRICE
835-317	1/4"	1-1/4"	3/8"	1/2"	\$20.90
835-350	1/4"	1-3/8"	1/2"	1/2"	\$23.00
835-817	1/2"	1-1/4"	3/8"	1/2"	\$26.90
835-850	1/2"	1-3/8"	1/2"	1/2"	\$29.60

H. Carbide Cove Bits

ITEM #	SHANK	HEIGHT	RADIUS	PRICE
837-222	1/4"	1/2"	1/4"	\$26.00
837-286	1/4"	1/2"	3/8"	\$26.10
837-350	1/4"	5/8"	1/2"	\$26.20
837-722	1/2"	1/2"	1/4"	\$27.40
837-850	1/2"	5/8"	1/2"	\$29.60

Many more sizes available, call 1-800-531-5559

I. Carbide Roundover Bits

ITEM #	SHANK	HEIGHT	RADIUS	PRICE
838-254	1/4"	1/2"	1/4"	\$24.30
838-317	1/4"	9/16"	3/8"	\$24.70
838-380	1/4"	3/4"	1/2"	\$27.90
838-754	1/2"	1/2"	1/4"	\$24.30
838-880	1/2"	3/4"	1/2"	\$34.90

Many more sizes available, call 1-800-531-5559

J. Carbide Chamfer Bits

ITEM #	SHANK	DIA.	HGHT	ANG.	PRICE
836-130	1/4"	9/16"	1/2"	15°	\$21.50
836-190	1/4"	3/4"	1/2"	25°	\$21.50
836-420	1/4"	1-5/8"	3/4"	45°	\$27.70
836-920	1/2"	1-5/8"	3/4"	45°	\$26.90

K. Carbide Roman Ogee Bits

ITEM #	SHANK	LGTH.	RADIUS	PRICE
840-270	1/4"	1/2"	5/32"	\$28.40
840-350	1/4"	3/4"	1/4"	\$31.50
840-770	1/2"	1/2"	5/32"	\$30.30
840-850	1/2"	3/4"	1/4"	\$31.10

L. Carbide Slot Cutter Assemblies

Cutters have 1-7/8" diameter and a 7/8" ball bearing. Depth of cut 1/2". Choose 1/4" or 1/2" arbor.

ITEM 1/4" ARBOR	ITEM 1/2" ARBOR	CUT HT.
822-316A	822-316B	\$25.90 1/16"
822-320A	822-320B	\$25.90 5/64"
822-324A	822-324B	\$25.90 3/32"
822-332A	822-332B	\$25.90 1/8"
822-340A	822-340B	\$25.90 5/32"
822-348A	822-348B	\$25.90 3/16"
822-360A	822-360B	\$25.90 15/64"
822-364A	822-364B	\$25.90 1/4"

*Cuts slot for biscuits

Hundreds of different bits in stock, many unique profiles! Call for free catalog

What's In The Box?

Save on CMT's sets of premium router bits! Six sets include the beautiful hardwood case shown at right. CMT bits feature CMX-4 Micrograin carbide, Teflon® coatings, anti-kickback design and the engineering expertise of CMT! All bits carbide tipped or solid carbide.



Sets With Hardwood Case:

800-500	Incra or JointECH Set, 1/4" Shank: 6 Dovetail & 2 Str.	List: \$137.60	Sale: \$ 99.00
800-501	Incra or JointECH Set, 1/2" Shank: 6 Dovetail & 2 Str.	List: \$145.80	Sale: \$109.00
800-502	Leigh Set, 1/4" & 1/2" Shank: w/ 7 Dovetail & 3 Straight	List: \$180.40	Sale: \$129.00
800-503	12-Pc. 1/4" Shank Set, w/ Chamfer, Rabbet, Radius, Flush Trim, Cove, Ogee, Dovetail, V-Groove, Mortising, Round Nose & 2 Straight	List: \$224.40	Sale: \$159.00
800-504	6-Piece 1/2" Shank Set, w/ Round Nose, Cove, Rabbeting, Roundover, Ogee & Chamfer Bits	List: \$157.90	Sale: \$119.00
800-505	13-Pc. 1/2" Shank Set, w/ Cove, Rabbeting, Ogee, Chamfer, Roundover, Dovetail, Round Nose, V-Groove, Flush Trim, Mortising and 3 Straight	List: \$275.00	Sale: \$199.00

Three new sets, carefully packed in a sturdy carton:

800-611	OmniJig Set, 1/4" Shank, w/ 3 Dove. 2 Str. & 1 Top Bearing	List: \$142.00	Sale: \$ 89.00
800-617	Keller 1601 Set 1/4" Shank, W/ 2 Dove., 3 Str., W/ Bearing	List: \$148.50	Sale: \$118.80
800-618	Keller 2401 Set 1/4" & 3/8" Shk, W/ 2 Dove. 2 Str, W/Bear.	List: \$143.20	Sale: \$114.60



5425 Beaumont Center Blvd.
Tampa, FL 33634
813-886-1819 FAX 813-888-6614

To order or for the name of a dealer in your area, call:

1-800-531-5559 (USA)
1-800-387-7005 (Canada)

Visa and Mastercard accepted
Please add \$4.00 for shipping,
(Free shipping for orders over \$100.)

Call for Our Free Catalog

- Hundreds of premium quality bits!
- Dovetail sets for Incra, JointECH, Leigh, OmniJig and Keller Jigs!
- Top Bearing Bits, Accessories & More!

This blade package comes with free

Better Homes and Gardens

WOOD MAGAZINE



Our new 40 page color sawblade catalog in every package.



Package includes one year subscription (new or renewal).

We've put together a great package for you: our top-of-the-line 10" industrial ripping, crosscutting and general purpose blades at a great price. These three blades will handle all of your workshop needs. In addition, you will receive a full year's subscription (new or renewal) to Wood Magazine, full of ideas for new and exciting projects. Plus you get a free copy of our hot-off-the-press sawblade catalog, packed with new products and technical information. This package is a woodworker's dream. It makes a great gift, too!

What about the blades?

Crosscut - The Fabulous LU85M - Cuts wood so smooth, you won't even think about sanding the endgrain. The minimal side clearance (.009") between the teeth and blade body does it. And there's a Teflon coating on the blade body to prevent binding. The teeth? Just what you'd expect. They're ground to an aggressive Alternate Top Bevel and then each carbide tooth is polished to a mirror finish.

Ripping - The Precise LM72M - You have to try it. This blade, like all Freud blades, is laser cut for a stiffer plate and whisper-quiet operation. The rigid blade body and razor sharp flat top carbide teeth will give you a cut with glue line accuracy - even on the thickest materials. The blade is precision balanced and features our Anti-kickback Design - the safest in the industry.

General Purpose - The Versatile LU84M - If the job calls for different cuts on a variety of materials, the Freud general purpose blade is the way to get the job done. It'll rip 4/4 oak and crosscut 3/4" plywood, no sweat. This blade is a clever balance between the large gullet and Flat Top tooth

freud

Precisely what you need.

for ripping, with the ATB tooth for crosscutting. You're sure to appreciate the extra deep gullet for chip removal and our own special Anti-kickback Design that limits the tooth's bite to prevent overfeeding. It's the ideal blade for the radial arm saw because it dramatically reduces climbing.

Ask your nearest participating dealer (see opposite page) for "Freud's New Blade Pack". Once you try these Freud blades, you will accept no substitutes.

Blade package must be purchased from participating dealers between August 1, 1992 and January 31, 1993.

High Point, NC 27264
919-434-3171 • 800-472-7307

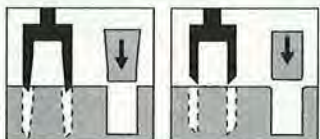
See one of these participating dealers to purchase your blade pack!

- ALABAMA**
- Thuston & Sons Saw Works
Birmingham, AL
800-677-7297
- ALASKA**
- Madison Lumber & Hardware
Ketchikan, AK
800-478-9828
- ARIZONA**
- Tons-of-Tools
Phoenix, AZ
800-426-5434
- ARKANSAS**
- The Tool Box
Jonesboro, AR
501-972-6864
- CALIFORNIA**
- Abbey Tools
Anaheim, CA
800-225-6321
 - Cuesta Equipment Co.
San Luis Obispo, CA
805-544-2540
 - Dennis Discount Depot
San Carlos, CA
415-591-0500
 - Meeks Building Center
Rocklin, CA
916-624-0627
 - Professional Tool Supply
N Hollywood, CA
818-982-6744
 - Reel Lumber
Anaheim, CA
800-675-REEL
 - Tool City
Lomita, CA
310-326-8830
 - Tool Mart
Escondido, CA
800-735-8665
 - Truitt & White Lumber Co.
Berkeley, CA
510-841-0511
 - Whole Earth Access
Berkeley, CA
800-829-6300
- COLORADO**
- McGuckin Hardware
Boulder, CO
303-443-1822
 - Schlosser Tool & Machinery
Denver, CO
303-922-8244
- CONNECTICUT**
- Tech Plywood & Hardware
W. Haven, CT
203-932-0268
- DISTRICT OF COLUMBIA**
- W. S. Jenks & Sons
Washington, DC
202-529-6020
- FLORIDA**
- Constantine's Wood Center
Fort Lauderdale, FL
305-561-1716
 - International Tool Corp.
Hollywood, FL
800-338-3384
 - Jacksonville Woodworker's
Supply, Inc.
Jacksonville, FL
800-772-7508
 - Smith-Hamilton Shops
Miami, FL
800-432-2454 (FL)
- GEORGIA**
- Highland Hardware
Atlanta, GA
800-241-6748
- HAWAII**
- Sliim's Power Tools
Honolulu, HI
808-841-0902
- ILLINOIS**
- DST
Chicago, IL
312-725-7100
 - Moon's Saw
Chicago, IL
312-549-7924 (IL)
 - Paul Bunyan Hardwoods
Blue Island, IL
708-389-7667
 - Wood Werks
Wauconda, IL
708-526-1411
- INDIANA**
- Edward B. Mueller
Indianapolis, IN
317-783-2040
 - Northwest Lumber Co.
Indianapolis, IN
317-293-1100
 - Superior Distributing
Indianapolis, IN
800-622-4462
 - Von Tobel Lumber
Lafayette, IN
317-448-1525
 - Wood-Crafter's Supply Center
Indianapolis, IN
317-897-4210
 - Yarnelle Lumber Co.
Wabash, IN
219-563-8378
- IOWA**
- Iowa Woodworker's Inc.
Waterloo, IA
319-296-2214
- KANSAS**
- Richmond Electric Co.
Wichita, KS
316-264-2344
 - Thorton Co.
Wichita, KS
316-942-8474
- KENTUCKY**
- Manny's Woodworker's Place
Lexington, KY
800-243-0713
- LOUISIANA**
- PBC Industrial Supply
Baton Rouge, LA
504-272-5680
- MAINE**
- Neils Sorenson Hardware
Portland, ME
207-797-0152
 - Woodworkers Warehouse
So. Portland, ME
207-761-4402
 - Woodworkers Warehouse
Springfield, MA
413-543-9272
- MARYLAND**
- Ketauver Lumber
Forest Hill, MD
410-557-7200
- MASSACHUSETTS**
- Spags Supply
Shrewsbury, MA
508-799-2570
 - Woodworkers Warehouse
Brockton, MA
508-580-0508
 - Trend Lines
Chelsea, MA
800-767-9999
 - Woodworkers Warehouse
Dedham, MA
617-326-7468
 - Woodworkers Warehouse
Hyannis, MA
508-771-7616
- MASSACHUSETTS CONT.**
- Woodworkers Warehouse
Leominster, MA
508-537-6522
 - Woodworkers Warehouse
Natick, MA
508-872-8110
 - Woodworkers Warehouse
Saugus, MA
617-231-1229
 - Woodworkers Warehouse
Seekonk, MA
508-336-3534
 - Woodworkers Warehouse
Springfield, MA
413-543-9272
 - Woodworkers Warehouse
Watertown, MA
617-926-0731
 - Woodworkers Warehouse
Woburn, MA
617-933-7913
- MICHIGAN**
- Gladwin Ace Hardware
Gladwin, MI
800-878-6657
 - L. & L. Johnson
Charlotte, MI
800-292-5937
 - Modern Hardware
Grand Rapids, MI
616-241-2655
 - Olsen Lumber Co.
Lansing, MI
517-371-5858
 - The Tool Haus
Flint, MI
313-743-9300
- MINNESOTA**
- Duluth Saw Co.
Duluth, MN
218-727-2586
 - Seven Corners
St. Paul, MN
800-328-0457
- MISSISSIPPI**
- Addikson Hardware
Jackson, MS
800-821-2750
- MISSOURI**
- Ballew Saw & Tool, Inc.
Springfield, MO
800-288-7483
 - Pyramid Products Co.
Kansas City, MO
816-241-3600
- MONTANA**
- A & H Turf and Specialties
Billings, MT
800-548-6323 (outside MT)
 - Boyce Lumber
Missoula, MT
406-728-7100
- NEBRASKA**
- Pyramid Products North
Omaha, NE
402-334-9262
- NEVADA**
- Junior's Tools
Las Vegas, NV
702-795-7395
 - Meeks Building Center
Carson City, NV
702-882-5555
 - Woodworker's Emporium
Las Vegas, NV
702-871-0722
- NEW HAMPSHIRE**
- Brentwood Machine
Brentwood, NH
603-679-8452
- NEW HAMPSHIRE CONT.**
- Woodworkers Warehouse
Manchester, NH
603-627-4957
 - Woodworkers Warehouse
Nashua, NH
603-891-0415
 - Woodworkers Warehouse
Portsmouth, NH
603-433-3250
 - Woodworkers Warehouse
Salem, NH
603-898-5941
 - Winnispeasaukee Lumber Ace
Wolfboro Falls, NH
603-569-1381
- NEW JERSEY**
- Cutters Edge Sharpening
Service
Clifton, NJ
201-772-6887
 - Force Machinery Co.
Union, NJ
908-688-8270
 - H. J. Opdyke
Frenchtown, NJ
908-996-2241
 - The Tool Chest
Emerson, NJ
201-261-8665
- NEW MEXICO**
- Woodworker's Supply
Albuquerque, NM
800-645-9292
- NEW YORK**
- Albert Constantine & Son
Bronx, NY
800-223-8087
 - Dynamite Tool
Bohemia, NY
800-640-TOOL
 - H. G. Page
Poughkeepsie, NY
914-452-7130
 - J. E. Sawyer
Glens Falls, NY
518-793-4104
 - McKilligan Supply
Greene, NY
607-656-5000
 - Philipps Brothers Supply
Amherst, NY
800-888-7271
 - Tool Factory Outlet
Goshen, NY
800-922-SAWS
 - Williams Lumber
Rhinebeck, NY
914-876-7011
 - W. L. Smith True Value
Massena, NY
315-769-2408
- NORTH CAROLINA**
- Blume Supply Inc.
Charlotte, NC
800-288-9200
 - Cleveland Lumber
Shelby, NC
704-487-5263
 - Tools Plus
Wilmington, NC
919-392-2176
 - Woodworker's Supply
Graham, NC
800-645-9292
- NORTH DAKOTA**
- Acme Electric
Bismarck, ND
701-258-1267
- NORTH DAKOTA CONT.**
- Acme Electric
Fargo, ND
701-235-8060
 - Acme Electric
Minot, ND
701-839-2263
 - Tool Crib of the North
Grand Forks, ND
800-358-3096
- OHIO**
- Ornamental Products
Cleveland, OH
216-749-5050
 - Tool Box
Zanesville, OH
614-452-4456
 - T. Saw
Salem, OH
800-527-8729
 - Wood Werks Supply, Inc.
Columbus, OH
614-575-2400
 - Viking Machinery & Tool
Barberton, OH
216-753-1063
- OKLAHOMA**
- Wesche Company
Tulsa, OK
918-583-7551
- OREGON**
- Barbo Machinery Co.
Portland, OR
503-232-8158
 - National Builders Hardware
Portland, OR
503-233-5381
 - Parr Lumber Co.
Aloha, OR
503-645-7425
 - Cal-ore Carbide
Medford, OR
503-772-2293
- PENNSYLVANIA**
- Eberly Lumber
Mechanicsburg, PA
717-766-4773
 - Force Machinery
Norristown, PA
215-279-0950
 - FSM Tool
Annville, PA
717-867-5359
 - Industrial Plywood
Reading, PA
215-376-3343
 - Quaker State Woodworking
Reading, PA
800-776-5467
 - Sharkan Supply Co. Inc.
Allentown, PA
215-264-4501
 - T. A. Industrial
Alburtis, PA
215-682-1838
 - Walter's Hardware
Wilkes-Barre, PA
717-823-1406
 - Woodcrafter's Supply
Erie, PA
814-899-5466
 - Woodcrafter's Supply
Pittsburgh, PA
412-367-4330
- RHODE ISLAND**
- Kingstown Tool
N. Kingstown, RI
401-295-5472
 - Woodworkers Warehouse
Warwick, RI
401-828-6070
- SOUTH CAROLINA**
- Hardwarehouse Ace
Cayce, SC
803-794-3561
 - Hiller Hardware Co. Inc.
Columbia, SC
803-779-3131
 - Mann Electric
Columbia, SC
800-356-6266
 - White Jones Hardware
Anderson, SC
803-225-1406
- SOUTH DAKOTA**
- Warren's Sharpening
Sioux Falls, SD
605-334-0490
- TENNESSEE**
- Walter A. Wood Supply
Chattanooga, TN
800-476-1415
- TEXAS**
- America's Service & Equipment
Lumberton, TX
409-755-2361
 - MVP Sharpeners
Houston, TX
713-721-3650
 - Williams Tools & Hardware Supply
Ft. Worth, TX
800-788-0007
- UTAH**
- Butterfield Lumber, Inc.
Midvale, UT
801-255-4201
- VERMONT**
- R. K. Miles
Manchester Center, VT
802-362-1952
 - Vermont Tool Store, Inc.
Waterbury, VT
802-244-5132
- VIRGINIA**
- Harper Hardware
Richmond, VA
800-831-2281 (VA, DC, MD)
 - Sure Set Saw, Inc.
Chesapeake, VA
800-435-2509
- WASHINGTON**
- Coast Tools
Seattle, WA
206-527-4474
 - Hardware Sales, Inc.
Bellingham, WA
206-734-6140
 - Parr Lumber Co.
Vancouver, WA
206-696-0051
 - Spokane Power Tools
Spokane, WA
509-489-4202
- WEST VIRGINIA**
- General Woodworking
Westover, WV
304-292-9471
- WISCONSIN**
- Neu's Supply
Menomonee Falls, WI
414-251-6550
 - Tennes True Value
West Bend, WI
414-338-2316
 - Woodcrafter's Supply
Greenbay, WI
414-496-0208
- WYOMING**
- Woodworker's Supply
Casper, WY
800-648-3953

INNOVATION IN TOOLS

Snug Plug® Cutters

Until now it was difficult to fit wooden plugs perfectly but Snug Plug cutters are designed to cut plugs with a slight taper and smooth sides allowing perfect fit every time even in slightly oversized holes. It is difficult to believe how nice a plugging job you can do until you use one. A set of 3 includes 1/4", 3/8" and 1/2" cutters.



TAPERED Sides are smooth since they are shaved to size while being cut.
STANDARD Sides are rough because of fiber tearing while being cut.



**Set of 3
Snug Plug Cutters**
\$29.95

(Shipping & handling extra)

The Snug Plug is just one of the many innovative woodworking tools developed by the research team at Veritas Tools.

To order Snug Plugs and/or receive a **Free Tool Catalog** call our toll free number:

1-800-667-2986

Ask for Department # WM1

Veritas Tools Inc., 12 East River St., Ogdensburg, N.Y., 13669

Also available from better woodworking catalogs and stores.

WORKSHOP HOSE REELS FOR AIR OR WATER

Reelcraft hose reels provide an ideal way to increase safety, convenience & appearances in the shop. Rugged all steel construction with a durable, abrasion resistant, baked on red Polyester powder coat finish. Reels can be mounted on wall, ceiling or under the bench.

Applications :

- Pneumatic Tools
- Chip Blow off
- Air or Water

Features:

- Spring Retractable
- Reel furnished with 35' of 1/4" hose
- Industrial Quality

Maximum Pressure 300 PSI



Model No. 4435 OLP shown

Price: \$158.00

Visa & Master Card accepted • Indiana residents please add 5% sales tax
 Add \$7.00 per Reel for shipping & handling • Please allow 21 days for delivery
 Free brochure on request

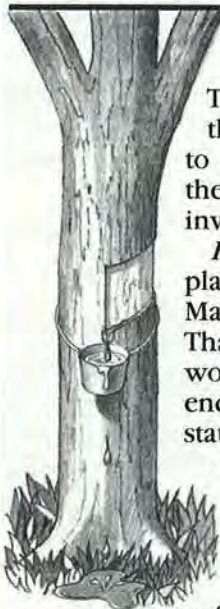
Toll Free 1-800-444-3134 • Fax: 219-248-2605



REELCRAFT INDUSTRIES, INC.
 2842 East Bus. 30 • P.O. Box 248
 Columbia City, IN 46725-9987

TALKING BACK

We welcome comments, criticisms, suggestions, and even compliments. Send your correspondence to: Talking Back, Better Homes and Gardens WOOD® magazine, 1912 Grand Ave., Des Moines, IA 50309-3379.



Para-rubber tree anecdote bounces back

The "Wood Anecdote" (page 25 in the June 1992 issue) compels me to comment. For the record, I spent the past 12 years in the Pacific Rim involved in wood industries.

Hevea brasiliensis was widely planted in southeast Asia, mostly in Malaysia and Indonesia, but some in Thailand, too. It may be true that as a woodworker, "you'll probably never encounter rubber-tree wood," as you state. But, rubber-tree wood has been the wood of choice for most Asian furnituremakers for nearly 10 years, although it has some quirks. For instance, you must treat it immediately after cutting

or fungi and beetles turn the wood into a multi-colored nightmare. The beetles create a blue stain and when their eggs hatch, the larvae can tunnel out of the tabletop to share dinner!

Lawrence Z. Y. Moh, founder and chairman of Universal Furniture, Ltd., developed a process that makes rubber-tree wood quite usable. The timber is sawed at the site and immediately subjected to a pressure treatment with a solution of borax and related chemicals. This oxidizes the stain and poisons the beetle larvae.

The wood—exceptionally light and clear in color—has a pleasing swirly grain that finish enhances. But due to this same grain, the wood warps if used in lengths greater than about 40 inches. A journey to nearly any furniture retailer will provide examples of rubber-tree wood used in everything from "country" cabinets to dining sets.

—J.W. Maner, Jamestown, N.C.

If all else fails, follow the owner's manual for the right answer

I would like to add to the answer given to Henry Latsch concerning circle cutters in your June 1992 issue. I also had the problem of the chuck falling off my drill press when using a circle cutter. I tried several times to reset the chuck, but it would slip off again. I finally went back to the owner's manual. It said to clean the press shank and the chuck core. After cleaning and reassembling, I have been cutting circles without problems.



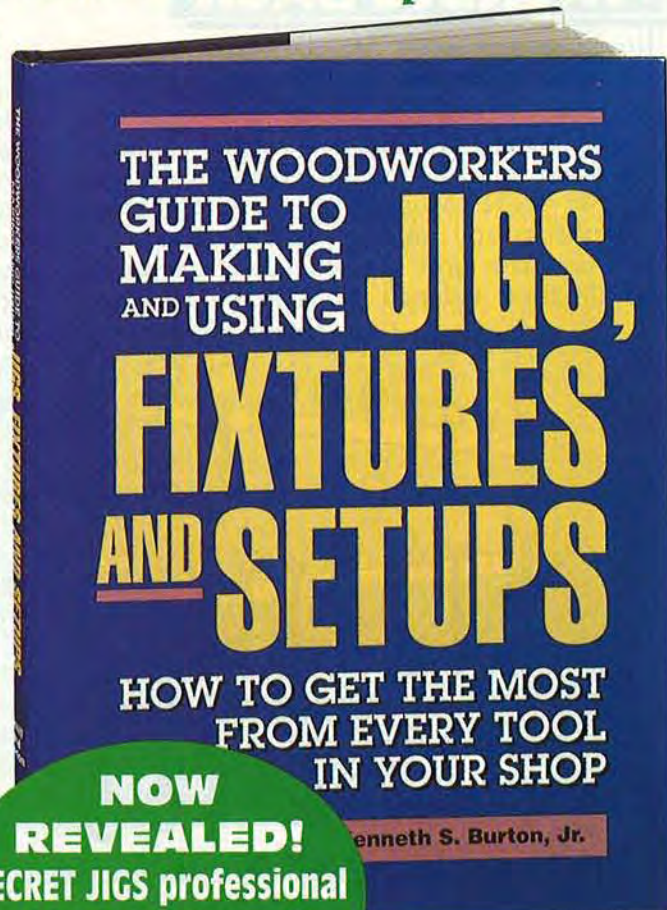
Print this article

—Frank Cloutier, Wakefield, Kans.

continued on page 10

The one BIG book that answers the question:

"What's the BEST way to do the job with the tools I have in my shop?"



NOW REVEALED!
SECRET JIGS professional cabinetmakers use in their OWN shops!

There's more than *one* way to get great woodworking results!

Go ahead—name your most challenging workshop task and we'll show you how to make a PRECISION JIG that will help you do it faster, more easily and more accurately—even if you have only a modest assortment of tools and equipment in your shop!

You'll turn to this fully illustrated workshop reference again and again for the jigs professionals use to cut perfect circles and arcs . . . snug-fitting mortise-and-tenon joints . . . dead-on dados and right-on rabbets . . . gap-free miters . . . and more.

ACT NOW—and get this FREE BONUS GIFT—an exclusive 17 x 22-inch plan for a Moravian blanket chest—beautifully drawn and measured by master craftsman Carlyle Lynch. No purchase necessary!

• **76 JIGS** from America's top cabinetmakers!

• **450 how-to PHOTOS** show you how they're used!

• **225 ILLUSTRATIONS** make them easy to make!

• **PLUS hundreds of tips** to increase the **POWER** of your tools!

EXCLUSIVE FREE-GIFT OFFER!

42837

YES! Please rush me my copy of THE WOODWORKERS GUIDE TO MAKING AND USING JIGS, FIXTURES AND SETUPS to examine FREE for 21 days. If I decide to keep it, I'll pay for it in **three monthly installments of \$8.99 each**, plus postage and handling. Otherwise, I'll return the book within 21 days and owe nothing.

FREE BONUS! Exclusive 17 x 22-inch blanket chest plans measured and drawn by master craftsman Carlyle Lynch. No purchase necessary!

SAVE CASH! Send \$26.95 payment now, and we'll pay postage and handling charges. Same return privileges as above.

Name (First) (Last)

Address Apt. #

City

State Zip

(NOTE: PA, GA, NY, CA and IL residents, please add sales tax.)
Clip and mail to:
RODALE BOOKS, Department Q,
Emmaus, PA 18098

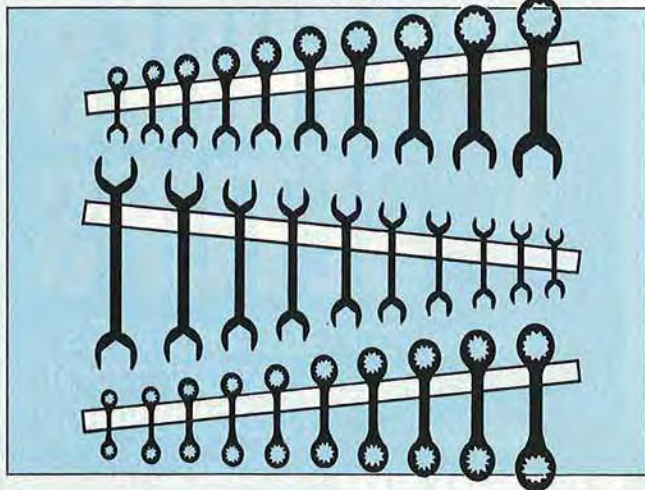
TALKING BACK

continued from page 8

A new twist on our wrench rack

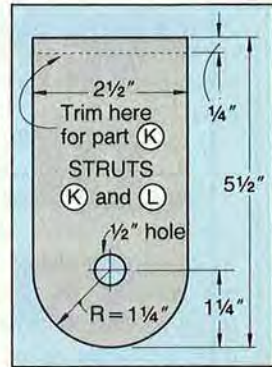
I enjoy *WOOD*® magazine and look forward to each issue. I would like to make a suggestion on how to improve the "Wrench Rack" in the April 1992 issue. Most woodworkers have several wrenches and often more than one style. To accommodate more wrenches in a smaller amount of wall space, I sloped the rack at a 10-degree angle.

—Garry Champ, *The Woodlands, Texas.*



Wagons, Whoa! (Correction)

When making the walnut wagon from the August 1992 issue of *WOOD* magazine, make the rear strut (L) 5½" long instead of the 5" listed. If you've already made the wagon, just add a ½" spacer between the wagon box (C) and the rear-strut spacer (M). This will level your wagon box.

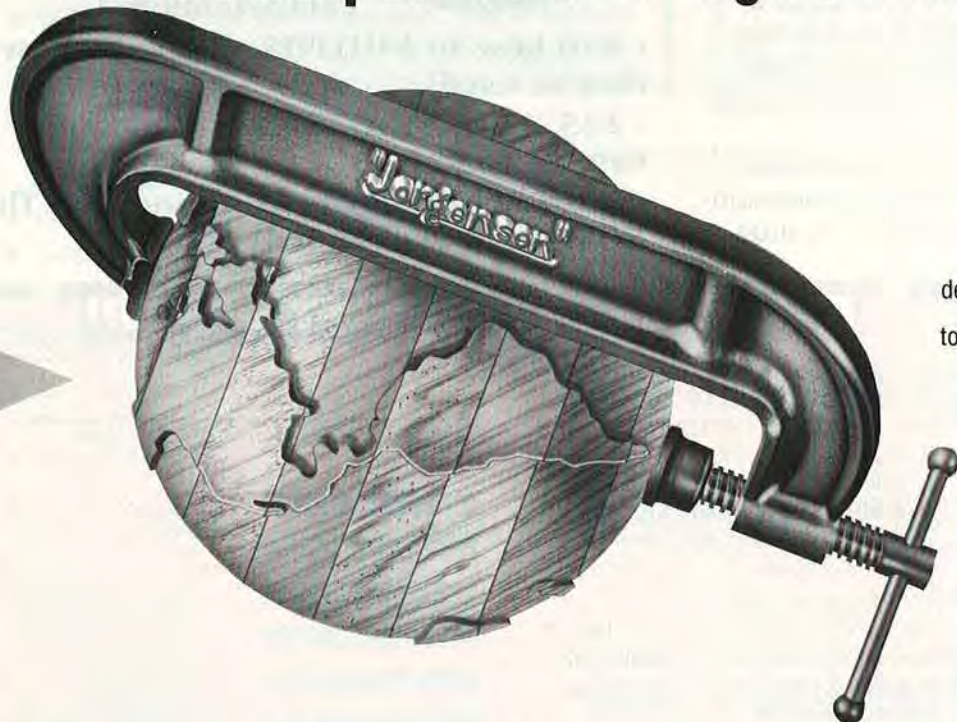


Lots of weight for little screws

I'm responding to your response to Rex Stoecker concerning mounting a Ryobi RE600 router into a ¾" acrylic base for use in your router table, issue 33. I advise him and other readers not to use the very small screws that come with the router for mounting the base plate. By the time you counter-sink the screws, there is very little acrylic left to hold the weight of that heavy router. But, the RE600 also has four other larger tapped holes. I used these instead and have not had a problem.

—Norman Singer, *Seaburst, Wash.*

We've helped hold it together... Since 1903



"Jorgensen"
"Pony"
Adjustable™

Quality in our products...
dedication in our service. We've held
to these commitments just as you've
held up our Clamps and Vises as
your standards to each new
generation since 1903. We'll
continue to hold consistently
to our traditions of excellence.

Write for our Catalog SEND \$1.00
Adjustable Clamp Company
410 N. Ashland Avenue, Chicago, IL 60622



Where to buy mesquite lumber

I've been a subscriber to your fine magazine for about two years now. I compliment you on your fine designs and tool evaluations. I know you have written articles on our native mesquite (a truly beautiful wood). However, I've been unable to locate any source of dimensioned or rough-sawn lumber. Would you know of a source?

—Fred Kite, La Pryor, Texas.

Fred, your problem is similar to the sailor on the ocean who is dying of thirst. In your case, mesquite is growing everywhere around you, but not a twig can be found at the lumber store. Fortunately, Paxton Lumber in Austin, Texas, does sell mesquite. And, they will ship it to any location in the country. "Our stock is four quarter and ranges from 3" to 5" in width and from 2' to 5' in length," says David Morris, a Paxton salesman. "As of now, no grading procedures have been set for mesquite. Grain patterns vary widely, so don't expect to find the evenness you might find in walnut or oak."

If you'd like to order or get more information on mesquite, contact Paxton Lumber, P.O. Box 17968, Austin, TX 78760, or call 512/443-0777.

Loves "Performance Profiles"

Every time I pick up a copy of *WOOD*® magazine (new or old), I find something of interest to me as a novice woodworker. But, the most enjoyable articles are the ones on the different types of wood and accompanying "Performance Profiles." I think a collection of these in a binder would be a most treasured item. I doubt that even the old-timers can remember all the characteristics of lumber types.

I shop at a wood store that stocks over 50 species of wood. That's bewildering for a beginner trying to pick a correct wood for a project. A handy booklet would sure be nice to have along for reference.

—Bob Jarboe, Richardson, Texas.

A book of wood profiles and their performance is a great idea, Bob, and lots of readers have made the same request. Someday we hope such a reference will be a reality.

continued on page 12



Serving Woodworkers Everywhere!

Here's the new
1992-93
catalog!



Over
3,000
products!

- Over 38 years of service
- 12 retail stores
- 48 hour mail order service



To receive a new 1992-93 catalog send \$2.00 to:

The Woodworkers' Store
Dept. 23134, 21801 Industrial Blvd.,
Rogers, MN 55374, Or call (612) 428-3200

Visit a store near you!

- Boston area (Cambridge) ● Buffalo area (Clarence) ● Chicago area (Arlington Heights)
- Cleveland area (Parma) ● Columbus ● Denver ● Detroit area (Royal Oak) ● Seattle
- Milwaukee area (Wauwatosa) ● Minneapolis, MN ● Burnsville, MN ● San Diego


The Woodworkers' Store
Hardware, Wood, Tools & Know How

CLASSICS!

We offer a wide variety of classical bits. Set the standard for table, furniture and edge work. Give your work a custom look.

1/4" SHANK

PART	CUTTER DIA. A	CUTTING LENGTH B	OVERALL LENGTH C	CUTTING WIDTH W	PRICE
C1289	1-1/4"	5/8"	2-1/8"	3/8"	\$25 ⁰⁰
C1290	1-1/2"	5/8"	2-1/4"	1/2"	\$25 ⁰⁰

1/2" SHANK

PART	CUTTER DIA. A	CUTTING LENGTH B	OVERALL LENGTH C	CUTTING WIDTH W	PRICE
C1291	1-1/4"	5/8"	2-1/8"	3/8"	\$25 ⁰⁰
C1292	1-1/2"	5/8"	2-1/4"	1/2"	\$25 ⁰⁰

1/4" SHANK

PART	CUTTER DIA. A	CUTTING LENGTH B	OVERALL LENGTH C	CUTTING WIDTH W	PRICE
C1293	1-1/8"	1/2"	2-1/8"	5/16"	\$25 ⁰⁰
C1294	1-3/8"	11/16"	2-1/4"	7/16"	\$25 ⁰⁰

1/2" SHANK

PART	CUTTER DIA. A	CUTTING LENGTH B	OVERALL LENGTH C	CUTTING WIDTH W	PRICE
C1295	1-1/8"	1/2"	2-1/4"	5/16"	\$25 ⁰⁰
C1296	1-3/8"	5/8"	2-1/2"	7/16"	\$25 ⁰⁰

1/4" SHANK

PART	CUTTER DIA. A	CUTTING LENGTH B	OVERALL LENGTH C	CUTTING WIDTH W	PRICE
C1297	1-1/4"	5/8"	2-1/8"	3/8"	\$25 ⁰⁰
C1298	1-3/8"	5/8"	2-1/8"	7/16"	\$25 ⁰⁰

1/2" SHANK

PART	CUTTER DIA. A	CUTTING LENGTH B	OVERALL LENGTH C	CUTTING WIDTH W	PRICE
C1299	1-3/8"	1/2"	1-3/8"	7/16"	\$25 ⁰⁰
C1300	1-5/8"	3/4"	2-1/2"	9/16"	\$25 ⁰⁰

1/4" SHANK

PART	CUTTER DIA. A	CUTTING LENGTH B	OVERALL LENGTH C	CUTTING WIDTH W	PRICE
C1301	1-1/2"	3/4"	2-1/4"	1/2"	\$25 ⁰⁰

1/2" SHANK

PART	CUTTER DIA. A	CUTTING LENGTH B	OVERALL LENGTH C	CUTTING WIDTH W	PRICE
C1302	1-5/8"	7/8"	2-3/4"	9/16"	\$25 ⁰⁰

1/2" SHANK

PART	CUTTER DIA. A	CUTTING LENGTH B	OVERALL LENGTH C	BEAD DIA. B	PRICE
C1262	1-1/8"	7/8"	2-3/8"	1/4"	\$20 ⁰⁰
C1263	1-3/8"	1"	2-1/2"	5/16"	\$22 ⁰⁰
C1264	1-5/8"	1-1/4"	2-3/4"	3/8"	\$24 ⁰⁰

EXCLUSIVE DISTRIBUTOR OF  INDUSTRIAL CARBIDE TOOLING

ASK FOR A FREE CATALOG!

FREE SHIPPING ON ORDERS TOTALING \$100 OR MORE!

1-800-235-0272

ORDER 24 hrs. A DAY!

VISA

MasterCard

TALKING BACK

Continued from page 11

Bookcase is a great success!

I have greatly enjoyed each and every issue of *WOOD*® magazine. During the winter, I often re-read many of the back issues. Recently, I completed a custom bookcase based on the fine walnut one depicted in issue 50. I was pleased with the clarity of this article as I am with all. It made the building of the bookcase very easy. And, what's more, it proved a wonderful success.



—Bart Taylor, Tuolumne, Calif.

On the prowl for our laminated bowl

I was intrigued with the photo of the turned bowl in the April 1991 "Ask *WOOD*" and would like to know how the bowl was laminated to create such a beautiful piece of art. Maybe you can help.

—David Yeoman, Aurora, Colo.

We have great news, Dave. The photo you saw came from a project featured in an earlier *WOOD* magazine. For tear sheets of the plans, or of any other article, send \$2 to this address:

WOOD Magazine

Reprint Service

1912 Grand Avenue

Des Moines, IA 50309-3379

(Include the article's title and issue number.)

Quite a quandry over quassia

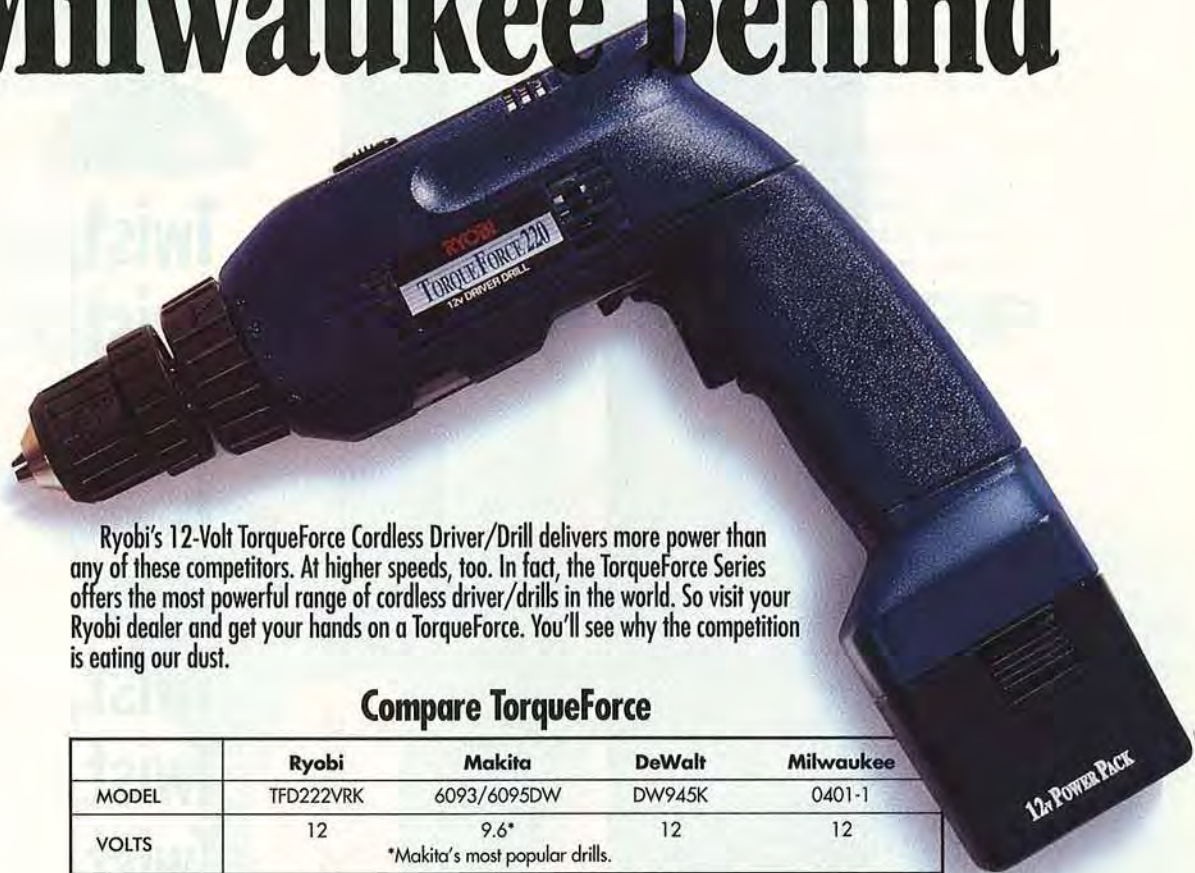


In your April 1992 issue, page 31, there is a story about a quassia tree and its wonderful properties as a cure-all and insecticide. We've called garden centers in our area and they've never heard of it. We'd really like to try some of the quassia wood chips. Do you know of any sources?

—Peggy Ede, White City, Ore.

We've been searching high and low for a source, Peggy. Quassia was available at one time, but, so far, we haven't come up with any on today's market. If any reader has information on how to obtain the quassia plant or quassia wood chips, please contact us at our "Talking Back" address. ♣

TorqueForce[®] outguns Makita, decks DeWalt and leaves Milwaukee behind



Ryobi's 12-Volt TorqueForce Cordless Driver/Drill delivers more power than any of these competitors. At higher speeds, too. In fact, the TorqueForce Series offers the most powerful range of cordless driver/drills in the world. So visit your Ryobi dealer and get your hands on a TorqueForce. You'll see why the competition is eating our dust.

Compare TorqueForce

	Ryobi	Makita	DeWalt	Milwaukee
MODEL	TFD222VRK	6093/6095DW	DW945K	0401-1
VOLTS	12	9.6*	12	12
		*Makita's most popular drills.		
MAXIMUM TORQUE (in-lbs)	220	95	175	156
	TorqueForce packs 26% more turning power than DeWalt, 41% more than Milwaukee and a whopping 132% more than Makita.			
MAXIMUM SPEED (RPM)	1300	1100	1300	1000
	While DeWalt manages to match Ryobi's speed, TorqueForce runs 18% faster than Makita and a full 30% faster than Milwaukee.			
SPARE BATTERY INCLUDED	Yes	No	No	No
	Only TorqueForce includes a spare battery in every cordless driver/drill kit so you're always charged and ready to go.			

For more information about TorqueForce Driver/Drills call 1-800-525-2579.

RYOBI[®]

Making Innovative Concepts A Reality[™]

Ryobi America Corp., 5201 Pearman Dairy Road, Suite 1, Anderson, SC 29625-8950 © Ryobi America Corp. 1992

**That was
then.**



**Twist,
Twist,
Twist,
Twist,
Twist,
Twist,
Twist,
Twist,
Twist,**

This is now.

Gone are the days of going round and round with old-fashioned screw-type clamps. Now, there's the QUICK-GRIP® Bar Clamp*.

With a QUICK-GRIP Bar Clamp, you can do anything you can do with a regular bar clamp, only faster. And you can do it with only one hand.

Pull the Quick-Release™ trigger with one finger and slide the bar into place. Tighten the clamp with a squeeze of the hand. That's all there is to it. Your other hand is free to hold your project in place.

The QUICK-GRIP Bar Clamp, from the makers of VISE-GRIP® Tools. It will revolutionize the way you work with clamps. See for yourself - wherever quality tools are sold.

*U.S. Patents 4,926,722; 5,005,449. Other U.S. and Foreign Patents and Designs Issued and Pending.

**Slide,
Click.**

QUICK-GRIP®

A UNIT OF **AMERICAN TOOL**
COMPANIES, INC.



©1990/1991 American Tool Companies, Inc. **MADE IN USA**

QUICK-GRIP®
BAR CLAMP

From the makers of VISE-GRIP® Tools.

© 1989 American Tool





EARN CASH, PRIZES FOR YOUR TOP SHOP TIP

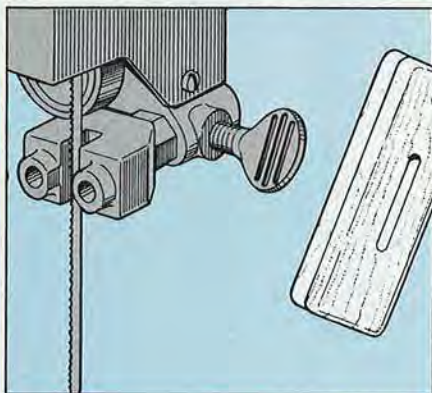
Do you have a great shop tip (or two) you'd like to share with other WOOD® magazine readers? For each published submission, you will get at least \$40 from WOOD magazine (as much as \$200 if we devote a page or more of space elsewhere in the magazine to your idea). You also may earn a wood-working tool for submitting the Top Shop Tip for the issue.

We try not to use shop tips that have appeared in other magazines, so please send yours to only one. We do not return shop tips. Mail your tip(s), address, and daytime phone number to:

Top Shop Tip
WOOD magazine
1912 Grand Ave.
Des Moines, IA 50309-3379

Scrapwood wrench turns troublesome thumbscrews

Sometimes, you just can't grip a thumbscrew firmly enough to tighten or loosen it. Plus, you can't get the leverage you need.



TIP: Scrollsaw a slot large enough to fit over the thumbscrew in the center of a piece of 3/8" to 3/4"-thick scrapwood about 1 1/2 x 4". Round the corners and edges of this wooden wrench, and drill a hanging hole in one end.

—John Seidel, Smyrna, Ga.

Shelf supports hold boards on bench, too

Wedging a workpiece between adjustable bench stops makes sanding and other operations easier. But laying out and drilling holes for the stops is far from easy.

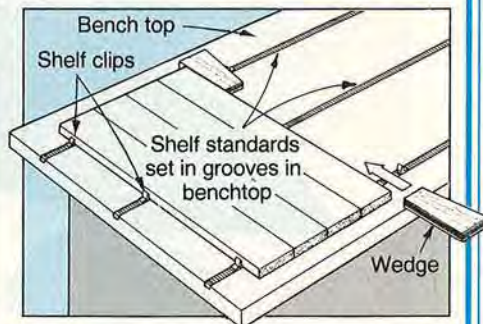
TIP: Rout grooves instead of drilling holes. Install 4'-long steel shelf standards into routed grooves in your benchtop, setting the faces of the standards slightly below the surface. Space them 9–12" apart,

or to meet your requirements. Then, just place shelf clips as necessary, securing the workpiece with wooden wedges. (You also could position the clips to work as stops with your vise.) Remember to apply force to the top of the shelf clips.

—Roger Sauerbrunn, Dongola, Ill.



For his tip, Roger wins a 15-piece carbide-tipped router bit set from Eagle America.



As your teacher told you, algebra can come in handy

You've stacked up a bunch of photocopies at a dime each, trying to hit the right percentage for enlarging or reducing a pattern. Isn't there some way to figure this out ahead of time?

TIP: Remember high school algebra? Use it now to determine the enlargement or reduction ratio you need. Simply multiply the size you want the pattern to be (A) by 100. Then, divide that number by the original pattern size (B) to find your percentage. Of course, both numbers must be in the same unit of measurement, such as inches or millimeters.

For example: Say you want to enlarge the 6 1/2"-wide heart shown below to 9" wide. A, the size you want, is 9". B, the size you have, is 6 1/2". A times 100 equals 900. Enter that on your calculator. Punch the division button, and then enter value B, (6.5). Hit the equals button, and read your answer: 138.46. Enlarge your original at 138 percent.

It works for reducing a pattern, too. To make a 5" heart from the same pattern, simply divide 500 (the size you want times 100) by 6.5 (the size you have). Round off the answer, 76.92, and set the copier at 77 percent.

—Reuel Smith, Halifax, Nova Scotia

Original pattern Enlarged pattern

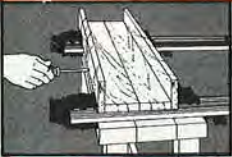
Percentage of enlargement or reduction = $A \times 100 / B$

Example: Desired size (A) = 9" $9 \times 100 / 6.5 = 900 / 6.5 = 138.46$ Set copier to 138%
Original size (B) = 6 1/2"

Continued on page 18

QUAKER STATE
has all your
CLAMPING NEEDS
...all under one roof!

TRU-GRIP
BACK-TO-BACK BENCH CLAMP

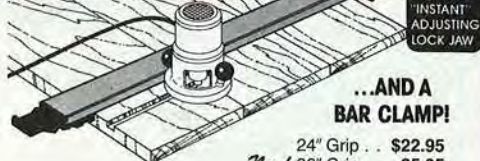


18" Grip . . . \$31.95
36" Grip . . . 39.95
New! 50" Grip . . . 44.95

TRU-GRIP
CLAMP 'N TOOL GUIDE

MADE IN THE U.S.A.

IT'S A GUIDE OR FENCE...



PATENTED
INSTANT
ADJUSTING
LOCK JAW

...AND A
BAR CLAMP!

24" Grip . . . \$22.95
New! 36" Grip . . . 25.95
50" Grip . . . 29.95

NEW! MULTI-CLIP CLAMPS

HARD-TO-FIND, MULTI-PURPOSE CLAMPS... can be used to clamp squares, rectangles, circles, etc. Strong enough for hose clamps, gardening, and hold downs. Can be combined to create "ANY" size!

#2050 - (2" O.D.) \$2.99
#2051 - 6 clamps for only \$14.99



Special! **MagicMat**



Great for belt sanding, routing, palm sanders, hand scraping, drilling, and more...all without clamping!! This mat is NOT foam, NOT carpet padding, and NOT underlayment material!!! IT IS 1/8" dense rubber that will NOT slide on wood, laminate, corian, plywood, etc.

#6340 - 1 for \$7.95
or 3 for \$6.95 each

MAT SIZE 36" x 24"



SPRAY
FINE FINISHES

for only **\$179⁹⁹** delivered
with the New **WAGNER**

FineCoat™

Low Overspray
Finishing System

ONLY
\$179⁹⁹

HVLP
High Volume,
Low Pressure

FEATURES: 7.5 amp., 4 PSI,
47 CFM, 15 ft. hose included,
1 quart capacity cup, 15 lb. total weight.

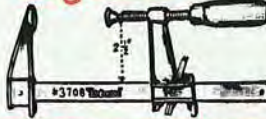


- The Ideal "Fine Finishing Tool"
- Great for applying Varnishes, Stains, Lacquers and water based finishes!

CLAMPS
CLAMPS
CLAMPS

FREE
Shipping!

"Jorgensen"



STYLE 37 SERIES "F" CLAMPS

	Size	Price	Box of 6
#2007 -	6"	\$6.99	\$36.00
#2008 -	12"	7.99	42.00
#2009 -	18"	8.49	45.00
#2010 -	24"	8.99	48.00
#2011 -	30"	9.49	52.00
#2012 -	36"	9.99	54.00

"Jorgensen"

CLAMP PADS

For 37 Series "F" Clamps. Soft non-marring pads. One pack contains enough pads for 4 clamps.

#2006-Clamp Pads . \$3.99 4 packs for \$12.00



"Jorgensen"
3' HOLD DOWN CLAMP

The most popular "bench" hold down clamp on the market today!

#2014 - 1 for \$9.99
2 for 18.00

"Pony" 24" 4-CORNER
FRAMING CLAMP

#2013 - 1 for \$9.99
2 for \$18.00



"Pony" SPRING CLAMPS



Strong, Quick, and Reliable.
...with protective tips & handles.

Size	Price	6 for
#2019 - 1"	\$1.99	\$ 9.99
#2020 - 2"	2.99	14.99
#2021 - 3"	3.99	19.99
#2022 - 4"	5.99	35.99

"Pony" PIPE CLAMP FIXTURES



#2001 - #52 1/2" Pipe Clamps . . . \$7.99
6 for . . . 42.00



#2003 - #50 3/4" Pipe Clamps . . . \$8.99
6 for . . . 48.00

"Pony" CLAMP PADS

Fits 1/2 and 3/4 pipe clamps.
Buy 5...Get 1 Free!

#2015 - Clamp Pad 1 for \$1.00
6 for \$5.00



"Pony"
15' BAND CLAMP

#2035
1 for \$9.99
2 for \$18.00



ALL OUR PRODUCTS ARE GUARANTEED!

QUICK-GRIP
BAR CLAMP

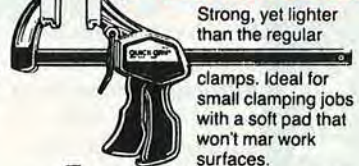


Light. Strong. Fast.
The Bar Clamp that's
so easy, you can use it
with one hand!

Cat. #	Jaw Opening	Price
#2100	6"	\$12.95
#2101	12"	14.95
#2102	18"	15.95
#2103	24"	17.95
#2104	36"	19.95
#2105	4 Piece Corner Kit	6.95
#2106	6" Clamp & Corner Kit	17.50



6" MINI BAR CLAMP



Strong, yet lighter
than the regular

clamps. Ideal for
small clamping jobs
with a soft pad that
won't mar work
surfaces.

#2108 - 6" Mini Clamp...\$10.95

"BENCH"
HOLD-DOWN CLAMP



Strong, quick hold-down
for mounting on your
workbench. A full 5" opening
allows for extra thick
clamping 3/4" hole accepts
mounting hardware under-
neath workbench.

#2109 - Hold-Down Clamp...\$19.95

QUAKER STATE
WOODWORKING SUPPLY

READING AIRPORT INDUSTRIES BUILDING #2
R.D. #9 • BOX 9386, DEPT. MA92-11 • READING, PA 19605

1-800-776-5467

DEPT. MA92-11
FOR FAST DELIVERY!

- Check Money Order Discover
 MasterCard Visa C.O.D. (Add \$4.75)
PA residents add 6% sales tax.



FREE SHIPPING

on orders received by
NOVEMBER 30, 1992

HARDWOODS

EXOTIC & DOMESTIC OVER 75 SPECIES

LUMBER • PLYWOOD • VENEERS
TURNING SQUARES & BLANKS

COLLECTORS SAMPLE KIT

30 EXOTIC & DOMESTIC WOODS
1/2" X 3" X 6" SANDED FINISH

\$29.00 PLUS \$5.00 S&H

Ideal for Collectors • Schools • Craftsmen • Cabinet
& Furniture Makers • Architects • Designers

PURPLE HEART PAU MARFIN

Deep true purple White to pale yellow

BRAZILIAN CHERRY

Salmon red to orange brown

Your Choice, **ONLY \$3.99**/bd ft

20 BD FT MINIMUM, MIX OR MATCH, 3" - 10" WIDE,
3' - 7' LONG 4/4 ROUGH THICKNESS, SURFACED 2 SIDES
FOB PHOENIX

VENEER

BIRCH • CHERRY • WHITE OAK • MAPLE • PECAN
PINE • RED OAK • ASH • WALNUT • MAHOGANY

\$12.00 PLUS \$5.00 S&H

Perfect for Repairs, Marquetry, Inlay, or Small Projects
EACH PACK CONTAINS 5 PCS 5" X 36"

WE SHIP WORLDWIDE



1-800-423-2450

WOODWORKERS Source

5402 S. 40th Street • Phoenix, AZ 85040
602-437-4415

TIPS FROM YOUR SHOP (AND OURS)

Continued from page 16

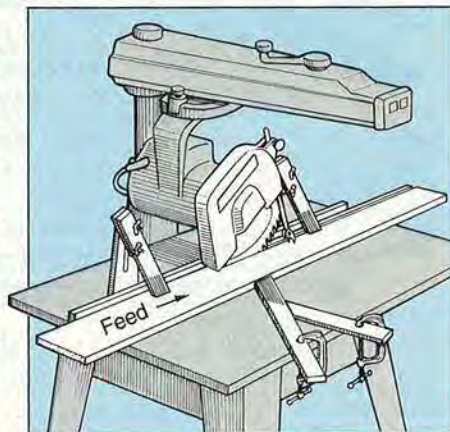
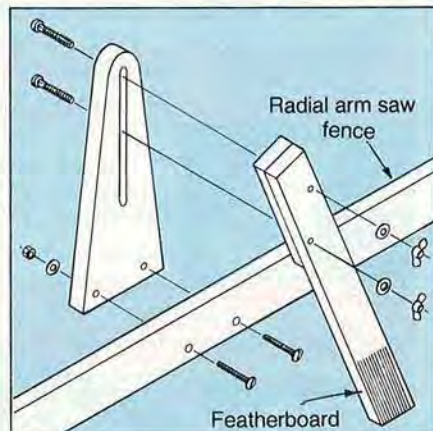
Featherboards assist in radial-arm ripping

Most woodworkers cringe when it comes time to rip a thin strip from a board with a radial-arm saw. The jumping and chattering of the board and the fear of kick-back make this an operation many would prefer to avoid.

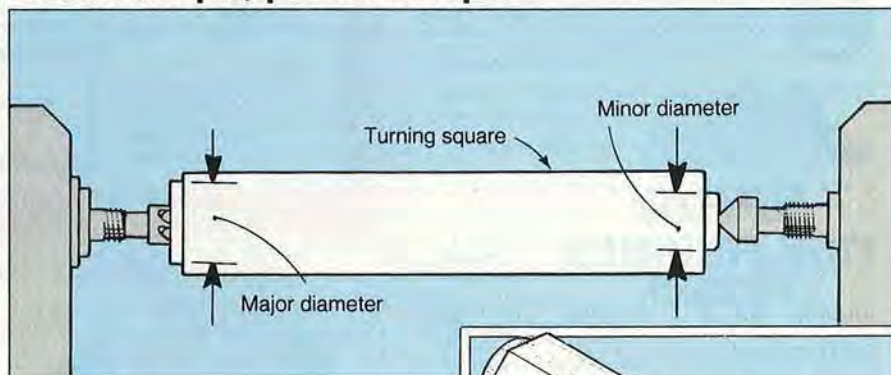
TIP: A trio of featherboards can provide relief when you rip with a radial-arm saw. Make two adjustable vertical featherboards like the one shown *top right*. Then, screw one to the saw fence on each side of the blade (as close to it as is practical). Adjust them to hold the workpiece down firmly while allowing you to feed it through without undue force.

Affix a third featherboard to the table to keep the board pressed against the fence. Now, rip the board using a thin-kerf carbide-tipped blade and a pushstick. This way, you'll get a cleaner cut and a less harrowing experience.

—Charles Williams, LaCombe, La.

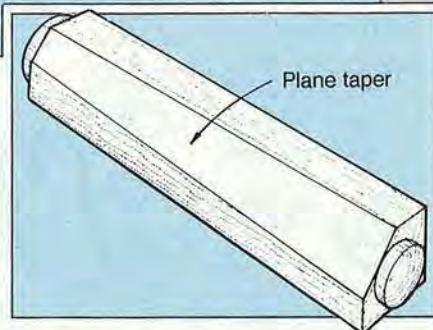


To turn a taper, plane a flat spot



Turning a straight taper on a table or chair leg tests any woodworker's patience. It seems there's no easy way to do it.

TIP: Give yourself a guideline to follow. Establish the major and minor diameters with a parting tool. Then, plane a straight taper between them, using the longest hand plane available. Check the tapered flat spot with a straight-edge. When you start the lathe,



you'll see a phantom guideline that you can follow right to a perfectly turned taper.

—From the WOOD® magazine shop

Continued on page 20

Exclusive USA Distributor SWISSMADE TOOLS



Woodcraft offers over 4,000 of the **finest quality** woodworking tools, books, and supplies in our 140 page, full-color catalog. SWISSMADE® carving tools are the finest in the world, and available in the USA exclusively from Woodcraft. Don't miss this opportunity for your free catalog!

Call toll-free: **1-800-542-9115**

Or write:

WOODCRAFT
Dept. 92W11S
210 Wood County Industrial Park
P. O. Box 1686
Parkersburg, WV 26102-1686

DON'T GET STUCK IN THE SAME OLD GROOVE.



With Craftsman router accessories, you can really get into the groove of things.

THE MILL WORKS™: Create beautiful architectural molding for your home or add that distinctive accent to your latest cabinetry. You can make dentil molding, fluting or create molding not available at your local mill supply. Accepts most routers with 6" base.

THE BIS-KIT SYSTEM®: This Sears exclusive router accessory will enable you to perform wood

joinery with biscuits at a fraction of the cost of a dedicated biscuit joinery machine. The unit comes with carbide cutter, bis-kit assembly, and even a supply of biscuits. Accepts most routers with a 6" diameter base. Available at most larger Sears stores.

So get on down to Sears. Because no matter how good you are with a router, you'll be better with Craftsman router accessories.

SEARS / CRAFTSMAN®

Continued from page 18

Spotlight your work with a reading lamp

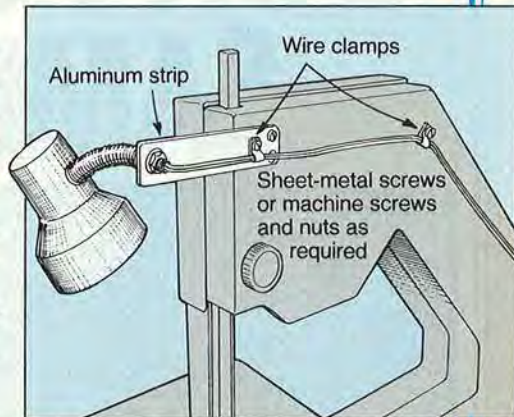
No matter how well-lit your shop, nothing beats a tool-mounted work light for seeing what's going on. They're pretty expensive, though, so lighting up several tools could be hard on the wallet.

TIP: An adjustable reading lamp—the type made to clamp onto a bed headboard—costs less and works great. After removing the plastic clip from the threaded tube on the lamp, attach the lamp

to a custom-made bracket. When you mount it to the tool, make sure that the lamp, the bracket, the cord, and the mounting hardware don't interfere with tool operation or create a safety hazard.

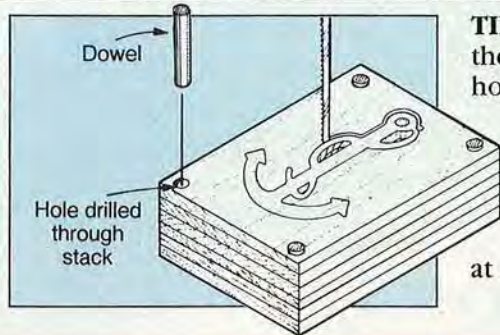
Hardware and variety stores and home centers sell the lamps. Also, don't toss out that clip you removed. It serves a number of needs around the shop, from clamping to holding plans.

—Roger Jewell, St. Joseph, Mich.



Dowels stack up well in scrollsaw cutting

By stacking several blanks and putting a pattern on top, you can scrollsaw duplicate pieces quickly. But, how do you hold the stack together? Nails or screws could split thin stock or scratch the saw table. Double-faced tape can be troublesome to remove.



TIP: The answer: Dowels. Stack the blanks as usual and drill a hole the size of your dowel ($\frac{1}{8}$ " works fine) through the waste at one corner of the stack. Drive in a piece of dowel a little shorter than the height of the stack. Repeat the process at the other corners.

—Norman Bartlett, Peoria, Ill.

Continued on page 22

BUILDING OUR NAME...

BUILDING YOUR DREAMS...

ONE YEAR WARRANTY



WIDE BELT SANDER

CT-2575 24" \$4290
CT-3775 36" \$5390



SHAPER

SP-3400 1.5 HP. \$469
SK-30SPA 3 HP. \$849
SP-34T TILTING. \$1695



TABLE SAW

HTS0012 12" \$789
TS-1010 10" \$1295
TS-1414 14" \$2690



BAND SAW

BS-1316 16" \$299
BS-0163 16" \$499
BS-0183 18" \$649
BS-0202 20" \$1290



JOINTER

JT-1007 7" \$309
JT-1008 8" \$639
JT-0012 12" \$1895

WE SPECIALIZE IN CUSTOMER SATISFACTION



9034 Bermudez Street,
Pico Rivera CA 90660
MAIN OFFICE: (213) 949-3747
ATLANTA: (404) 416-6006
(800) 786-5626 (order only)

LOBO POWER TOOLS



Wood turning projects quick, easy, precise and safety. Patented design clamps tighter and turns truer than other tools on the market.

Don't throw those expensive cherry, walnut, and cedar scraps away. Glue them together to make laminated, segmented, or stave constructed projects.

De Pee's™ SPLIT RING CHUCK

Send for Brochure for more information
8021 Queenair Dr., Gaithersburg, MD 20879

Call Toll-Free to Order
1-800-253-2569
VISA - MASTERCARD

Woodworker's HARDWARE

Manufacturer's Hardware For The Home Craftsman

FREE CATALOG

Huge line of **SPECIALIZED**
Cabinet and Furniture Hardware.

- Knobs
- Cabinet Pulls
- Hinges
- Drawer Slides
- Lighting
- Cabinet Accessories
- Connectors
- Locks
- Abrasives

Much, Much More!
"Dowl-it" Brand
Doweling Jig



Now \$29⁹⁵
Frt Pd. !

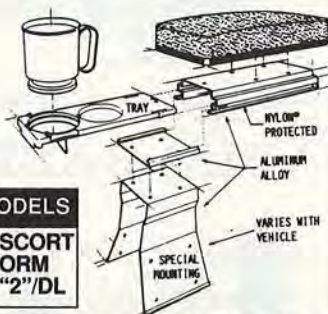
Five permanent sizes
1/4", 5/16", 3/8", 7/16" and 1/2"

Visa/MC orders only.
MN residents add 6.5% sales tax
AK, HI & Canada add \$ 10

Send or call for **FREE CATALOG**
P.O. Box 784 St. Cloud, MN 56302

1-800-383-0130

— TracTop® — ARMRESTS



NEW MODELS
FORD ESCORT
GEO STORM
VOLVO "2"/DL

EXCLUSIVE SLIDING CUSHION with PULL-OUT TRAY. First Choice for comfort, features, and appearance. Install yourself.

HONDA ACCORD — CIVIC	ACURA INTEGRA
VW JETTA — GOLF — PASSAT	NISSAN MAXIMA — SENTRA
VOLVO "2"/DL — 740/760	SAAB 900
AUDI (1980-87)	GM S-10 BLAZER — CAVALIER
BMW "3" Series	TOYOTA CAMRY — CRESSIDA
SUBARU LEGACY — XT	MAZDA 626 — RX-7
PEUGEOT 405 — PORSCHE 944	Others.

Most models and years covered. Call/Write for free literature. Return guarantee. VISA/MC phone orders. Our 11th year as #1.

HUSCO ENGINEERING CO., INC.
17 Calvin Rd., Wilton, CT 06897 (203) 762-3181

Versatile Contour Sanding For Your Shop!

NEW OSCILLATING SPINDLE SANDERS



- Combines drum sanding with smooth up and down oscillation for flawless contour sanding.
- Unique Quick Change Drums, sizes range from 1/2" to 3" diameter.
- Seven models to meet any home shop, school or industrial need. Bench and floor models with fixed or tilted spindle in 4-1/2" or 9" lengths.
- Dust collection hook up standard.

Call 313-548-2380
For a Free Information Kit

CLAYTON
MACHINE CORPORATION
P.O. Box 513, Clawson, MI 48017

STAINED GLASS VIDEO & CATALOG



Improve the Looks and value of your home with:

- Entry doors & sidelights
- Kitchen cabinet inserts
- Tiffany lampshades

Save money and make it yourself - Delphi shows you how!

Make Your Own Custom Stained Glass...

The perfect way to get started in stained glass. Our 25-minute video covers all the basics: Scoring, breaking, foiling, and soldering. Filled with clear and simple instructions, hints, close-ups, and examples to help you craft your own stained glass windows, lamps, and more. VHS only.
#6149VW...\$10.95 + \$3.00 shipping/hand.

A \$10.95 rebate is applied to your next order. If you don't wish to purchase, just return the video for a prompt refund, but keep the 80-page color catalog.

To Order - Call Toll Free: 1-800-248-2048

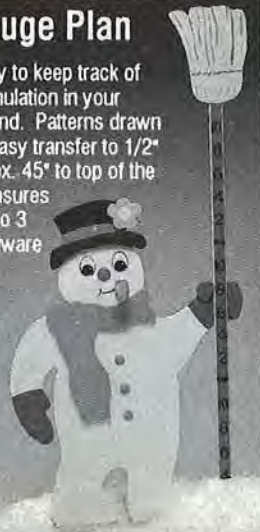


2116 E. Michigan Ave.
Lansing, MI 48912

Snow Gauge Plan

Here's a fun way to keep track of the snow accumulation in your winter wonderland. Patterns drawn **FULL SIZE** for easy transfer to 1/2" plywood. Approx. 45" to top of the broom. Measures snow depth up to 3 feet. Order hardware parts below.

#W917 Snow Gauge Plan
\$6.99/EA



Hardware Parts

This package contains a fiberglass "ruler," 2 fiberglass mounting dowels, wood buttons, corncob pipe, plastic eyes, and nose. Plan, wood and paint not included.

#3266 Snow Gauge Hdw. Parts \$10.99/PKG

HOW TO ORDER: List quantity, part number, item, price & total of order. Include \$4.95 shipping & handling per order. MN residents add 6.5% sales tax. Mail check or money order. Credit card customers call TOLL FREE 1-800-441-9870.

MEISEL HARDWARE SPECIALTIES
P.O. BOX 70 W 11 X MOUND, MN 55364

FREE 64-Page Catalog



Unique Clockmaking & Wood Projects

American Quartz Movements • Watches
Dials, Hands and Numerals • Clock Kits
Whirligigs • Woodworking Tools and Plans
All at great low prices! Call 1-800-556-2548 today for your catalog or mail the coupon below.

Name _____
Address _____
City, State, Zip _____

KLOCKIT™
P.O. Box 542, Dept. WD112
Lake Geneva, WI 53147-9961

Kwick Kleen

- INDUSTRIAL PAINT REMOVERS •
- PROFESSIONAL FINISHING PRODUCTS •

Exciting new careers with excellent business potential recycling and restoring durable goods. Restore furniture, kitchen cabinets, buildings and homes. Remove paint from automobiles, airplanes and boats. Strip graffiti. Professional training school available. Industrial equipment and supplies.

NAME: _____
 ADDRESS: _____
 CITY: _____ STATE: _____ ZIP: _____
 PHONE: _____

KWICK KLEEN INDUSTRIAL SOLVENTS • P.O. BOX 807 • VINCENNES, IN 47591-0807 • CALL 1-800-457-9144

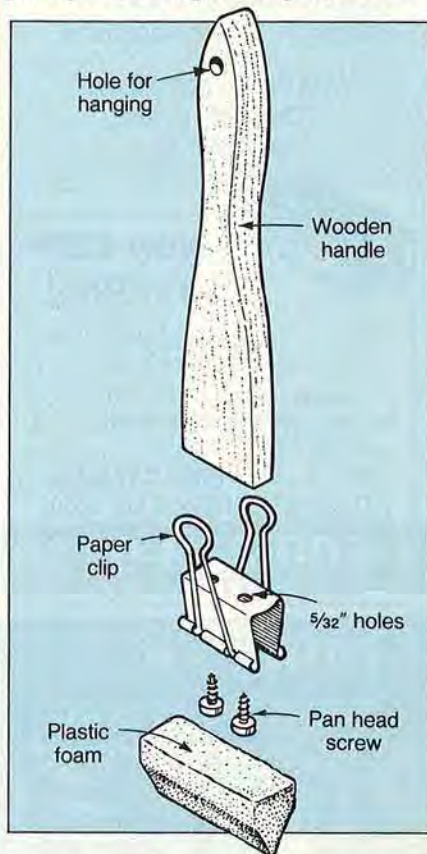


TIPS FROM YOUR SHOP (AND OURS)

Continued from page 20

Homemade brush features renewable foam "bristles"

For a small finishing job, there's nothing like a disposable foam brush for convenience. But just when you need one, you often find you've disposed of them all.



TIP: You'll always have a clean brush on hand for small jobs if you take a few minutes now to make a renewable foam brush. Bandsaw or scrollsaw the handle from a piece of scrapwood about $\frac{3}{4} \times 1\frac{1}{4} \times 7"$. Then, drill two $\frac{5}{32}"$ holes in a spring paper clip where shown, and attach the clip to the handle with two #6 $\times \frac{1}{2}"$ panhead sheet metal screws. (The medium-sized clip shown measures $\frac{5}{8}"$ wide, and has $1\frac{1}{4}"$ -long jaws.)

For the applicator, cut a piece of $\frac{1}{2}"$ -thick plastic foam to $1 \times 1\frac{1}{4}"$. (Bevel the end, if you like.) To use, grip the foam in the paper clip. Afterwards, just throw the foam away and insert a new piece so you'll be ready next time.

—Bob Dahlberg, Boulder, Colo.

OCCASIONAL TABLE BASES

ALSO AVAILABLE WITH TOPS IN KITS TO ASSEMBLE AND FINISH



END TABLE

RED OAK IN STOCK NO MINIMUM QUANTITY



COFFEE TABLE ASSEMBLE WITH BOLTS NO GLUE REQUIRED

FREE CATALOGUE



Adams Wood Products, Inc.

974 FOREST DRIVE - DEPT. M16 MORRISTOWN, TN 37814 TELEPHONE 615-587-2942 FAX 615-586-2188

FREE CATALOG



DELIVERING...

QUALITY TO AMERICA'S WOODWORKERS.

For the largest selection of AMERICAN MADE professional quality Router Bits, Shaper Cutters, Forstner Bits and unique accessories, ask for our new 64 page Mail Order Catalog.

1-800-872-2511

"Building Upon America's Commitment To Quality"

EAGLE AMERICA P.O. BOX 1099, CHARDON, OHIO 44024

Transform your angle grinder into a Random Orbit Sander.

The Marshco Random Orbit Sanding Head fits onto any 4"-5" angle grinder allowing you the speed of a disc or belt sander and the control of an orbital sander. This powerful sanding head combines orbital and spinning action at 10,000 orbits per minute leaving you with no cross grain scratch, swirl or hook marks and no corner edge round-off. The exclusively patented Marshco Random Orbit Sanding Head has rugged ball-bearing construction and adapts to any surface. Suggested retail:

\$59.⁹⁵

+\$3 shipping and handling. Visa and Mastercard accepted. When placing order, indicate make, model or thread size. Dealer inquiries invited

Marshco PRODUCTS, INC.

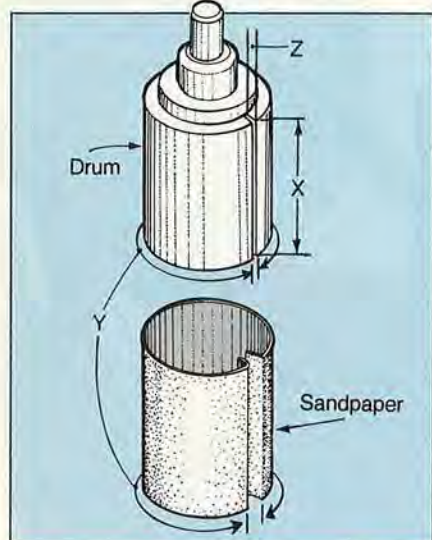
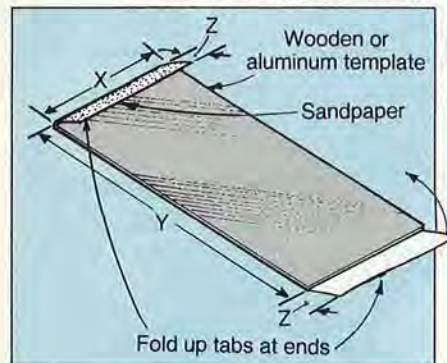
RFD 2 Box 490 • Brooks, Maine 04921 • (207) 722-3523

Fold tabs with a template to install sandpaper smoothly
 Many woodworkers like the economy of drum sanders that use strips of sandpaper. But sizing and installing those strips drives a lot of us crazy.

TIP: Cut a piece of sandpaper to the width of the drum (dimension X on the drawing). Make it long enough to fit around the drum (dimension Y) and to allow for a clamping tab on each end (dimension Z). (This may take some fiddling.) Then, make a template X-wide and Y-long out of wood or aluminum. Write on it the total length of sandpaper needed (Y plus the two tabs).

Now, whenever you need to replace the sandpaper, just cut an X-wide piece to the total length, center the template on back of it, and bend up the ends into tabs.

—Elliott Bloom, Miami, Fla.



Your Source For Quality Tools!

PORTER-CABLE

333 NEW!
Quicksand™, 5" Dustless Random Orbit Sander
CALL

332 5" Quicksand PSA snder call
 334 dustless PSA sander call
 550 pocket hole cutter call
 7700 10" laserloc mitre saw call
 352VS 3x21 vs belt snder w/c 164
 7116 24" Omni jig w/video 304

7334
Random Orbital Sander W/Case & 2 Rolls Paper
\$159

7334 random orbital snder* 127
 7335 5" VS random sander* 137
 7336 6" VS rdm sander* 143
 *includes FREE 73333 sander dust kit 555

Plate Jointer W/Case & 500 Asst. Biscuits
\$184

9637 elect. vs tiger saw kit 139
 690 1-1/2 hp router 132
 691 1-1/2 hp D-handle router 144
 9345 6" saw boss kit 124
 9853 12v drill w/keyless ch. 149

DEWALT

DW364
7-1/4" Saw With Brake Rear Pivot
\$148

DW306K Ramp vs recip s kit 158
 DW318K top hdl vs jigsaw k 138
 DW704 12" mitre saw w/b. 289
 DW705 comp. mitre saw 339
 DW682K NEW plate jointer kit 229

DW945K
12v, 3/8" VSR Cordless Drill Kit
\$164

DW250 0-4000 drywall dvr 89
 DW254 0-2500 deck scdvr 89
 DW610 1-1/2 hp, 1/2" router 139
 DW120K 1/2" RA drill kit 214
 DW124K 1/2" joist&stud dr k 289

HITACHI

NR83A
Full Head Stick Nailer
\$399

NR83AA clipped hd. stick nlr 429

DELTA

34-782
3 HP Unisaw w/Unifence & Motor Cover
\$1599*

34-777 5hp Jet lock units 1649*
 34-781F 1.5unisaw w/unif 1399*
 34-763 3hp Jet-Lock units 1499*
 34-761 1.5hp Jet-Lock units 1199*
 34-445 10" c. saw w/unifence 729*
 34-444 10" contractors' saw 619

28-283
14" 3/4 HP Bandsaw
\$679*

37-154 6" jointer w/stand 1029*
 43-375 3hp 2sp hd shaper 1499*
 22-662 13" planer w/stand 1169
 31-730 6" belt/12" dc sdr 999*
 37-350 8" jointer w/stand 1349*
 36-220 10" comp. mitre saw 235
 50-179 3/4 hp dust collector 344
 32-100 plate jointer 259
 36-755 10" cabinet saw 899
 43-355 1.5hp 3/4" wd shaper 699

22-540
12" Portable Planer W/Dust Collector Chute
\$399

33-060 NEW sidekick trim saw call
 43-505 router/shaper 279
 11-900 radial drill press 285
 40-640 20" vs scroll saw 329
 46-700 12" vs wood lathe 429
 11-950 8" bench drill press 145
 40-560 16" 2 sp. scroll saw 179

*Price Includes Rebate

FUJI

HVLP High Volume Low Pressure Sprayer
\$599

HVLP SUPER 3 turbine 649

Qual-Craft

2200 Pump Jack
\$59

2201 top brace 21
 2204 work bench 39

Lamello

TOP 10 Plate Jointer With Case
\$569

COBRA NEW jointer 299

POWERMATIC

1791000
63 Artisan Saw W/Vega Fence
\$699

1660760. 66 saw w/50" Bies1799

PERFORMAX S/T

Per-ST100 Radial Saw Surface Sander
\$289

Powerfeed attachment 319
 ProMax II stationary sander 1489
 SuperMax25" stationary snder 2269
 SuperMax-25 25" drum snder 2749
 SuperMax-37 37" drum snder 2995
 SuperMax 37x2 37" dual sdr 3495

freud

JS100 Jointing System W/Case & 500 Assorted Biscuits
\$179

JS100 jointing sys. w/case 164
 FT-2000E 3.25 vs pl. router 209
 94-100 5pc rtr cabinet set 159

SENCO

SFN-1 1"-2" Finish Nailer
\$278

SLP-20 5/8" to 1-5/8" brad n. 299
 SN325+ 6d-12d nailer 399

WEDGE

SMPR-2 2" Pro Rail W/Module & Case
\$94

PR4 4" Pro Rail w/mod & cs 114
 PR78 78" Pro Rail w/mod & cs 148

BIESEMEYER

50L12 50" Commercial W/12" Left
\$295

52L12 52" homeshop fence 235
 40L12 40" homeshop fence 209
 28L12 28" homeshop fence 199

HITACHI

C8FB 8-1/2" Compound Mitre Saw
\$448

P12RA 12" planer/6" jointer 929
 M12V 3-1/4 hp vs pl. router 224

BOSCH

1581VS Top Handle Jig Saw w/Case & 30 Blades
\$179

1581VS top handle jig saw 129
 1582VS barrel grip Clic jig s 129
 3051VSRK3/8kyls kit w/2 bat 139
 3283DVS dstls random snder 95
 1273DVS 4x24 vs. belt snder 185
 1370DEVS6" hd random snder 224
 1613EVS microfine pl router 184
 1615EVS3-1/4 hp vs pl. router 245

SKIL

2736-04 12 v, 3/8" VSR Keyless Drill Kit W/2 Batteries
\$134

3400 10" tbl saw w/dado set 189
 7484 5" random orbital snder 99
 1605 NEW plate jointer 119
 77 7-1/4" worm drive saw 139

Emqlo

AM78-HC4V 1-1/2 HP Vertical Twin Tank
\$319

Milwaukee

6527 NEW V.S. Super Sawzall
\$165

6368 7-1/4" saw w/bl,cs,Inc 135
 6125 5" r. orbital sander 119

BLACK & DECKER

2694 7-1/4" Super Sawcat W/Brake & Case
\$139

JET

JJ6-CS 6" Long Bed Jointer
\$424*

JBS-14CS 14" wd bandsaw 449
 DC-650 1 hp dust collector 229
 JTS-10JF 10" saw w/Jet Inc494*
 JWL-1236 12" wd lathe w/st 549
 JCS-10A 2hp 10" cab. saw 799*
 JWP-15HO 15" planer w/st 1099*
 *Price Includes Rebate

STANLEY BOSTITCH

N80S-1 16d Stick Nailer
\$359

N12B-1 coil roofing nailer 409
 N80C-1 coil nailer 379
 N60FN 1-1/4"-2-1/2" fsh nlr 339

RYOBI

RE600 3 HP VS Plunge Router
\$209

JP-155 6-1/8" jointer/planer 299
 BT3000 10" sliding table saw 549
 AP12 12" portable planer 429
 JM100K NEW plate jointer 209
 TFD220VRK 12vcdls kit/2bat 169

makita

6095DWE 3/8" VSR, W/Keyless Chuck & 2 Bat.
\$149

2012 12" planer w/dust cht 469
 6201DWE 9.6v kit w/2 batt. 169
 LS1011 10" c. mitre saw w/bl. 439
 6011DW NEW 12v, 3/8" vsr call

WOOD Oct. 92

1-800-358-3096

Box 1716 • Grand Forks, ND • 58206
 Send \$3.00 For 208 Page Catalog

FAX US YOUR ORDER!
 1-701-746-2857

TOOL CRIB
 OF THE NORTH
 DIVISION OF

FREE FREIGHT IN 48 CONTIGUOUS USA • SAME DAY SHIPPING • ERRORS AND PRICES SUBJECT TO CHANGE

When was the last time you

If you've ever had the experience of uncrating a new Delta machine, you know what it feels like.

You now own the very best. And you've got well over half a century of tradition sitting right there in your shop.

At that moment, the notion of getting all that you paid for (and then some), is a pretty good feeling.

So you take a couple steps back, check it out and give it a grin.

In the spirit of that moment, we thought we'd give you a little something extra to grin about.*

Everything you see here has either a rebate or an extra value connected with it. Who knows. With a few extra dollars in your pocket or a few extra goodies for your shop, you just might be uncrating several of these beauties.

Just get your best price from your Delta dealer, then get a rebate check directly from Delta. All free accessories come packaged with the tool.

At the very least you'll get more than you paid for.

**Building
On Tradition**
DELTA
A Pentair Company

For information on these and other new products, call toll free for the name of your nearest Delta dealer. Delta International Machinery Corp., Pittsburgh, PA, 800-438-2486. In Canada, call: 519-836-2840.

FREE STAND AND EXTENSION WINGS

With the Delta 13" Planer, you can handle stock up to 13" wide and 6" thick. Precision plane down to 1/8" thickness. And just to make things interesting, we'll throw in our heavy gauge steel stand and extension wings, absolutely free.



CLASSIC DEAL

Our 14" Wood Cutting Bandsaw with 3/4 HP motor, enclosed stand and 6 1/4" thick cutting capacity is very simply, a classic. Comes with a fifty dollar rebate check from Delta.

FREE PLANS, DADO HEAD AND TABLE INSERT

Sharpen your cutting skills on our 10" Table Saw (Model 34-670) by building a bookcase. Learn precision rabbeting, grooving or ploughing with a free carbide-tipped adjustable dado head and table insert.

GREAT FROM ANY ANGLE

Our new 32" Radial Drill Press has five spindle speeds, swiveling head, traveling ram. Flexibility at any angle. Complete with free 3/8", 1/2" and 3/4" Forstner style bits. (Shown with accessory table.)



*All offers good only from participating distributors in the continental U.S., Alaska, Hawaii and Canada. Rebate offers good from Aug. 1, 1992 thru Dec. 31, 1992. To qualify, machines must be purchased complete with motors and electricals. Free accessories available only while supplies last.

got more than you paid for?

ONE OF A KIND

The real deal here is precision. More of it than you've ever had in one saw. The original 10" Contractor's Saw® with 30" Unifence® Saw Guide (Model 34-445) lets you handle the big jobs, perfectly. And we figured you could probably handle fifty bucks back from Delta.



PRECISION DRILLING AT YOUR FINGERTIPS

Our 16 1/2" Drill Press has 12 speeds, 3/4 HP motor and 5/8" capacity chuck. A free accessory utility tray keeps drill bits within easy reach.



PRECISION DRILLING AND MORE

A great 12" Bench Drill Press with 5 speeds, 1/2" capacity chuck, becomes an even greater value when you add sanding capability. We'll add it for you, free.

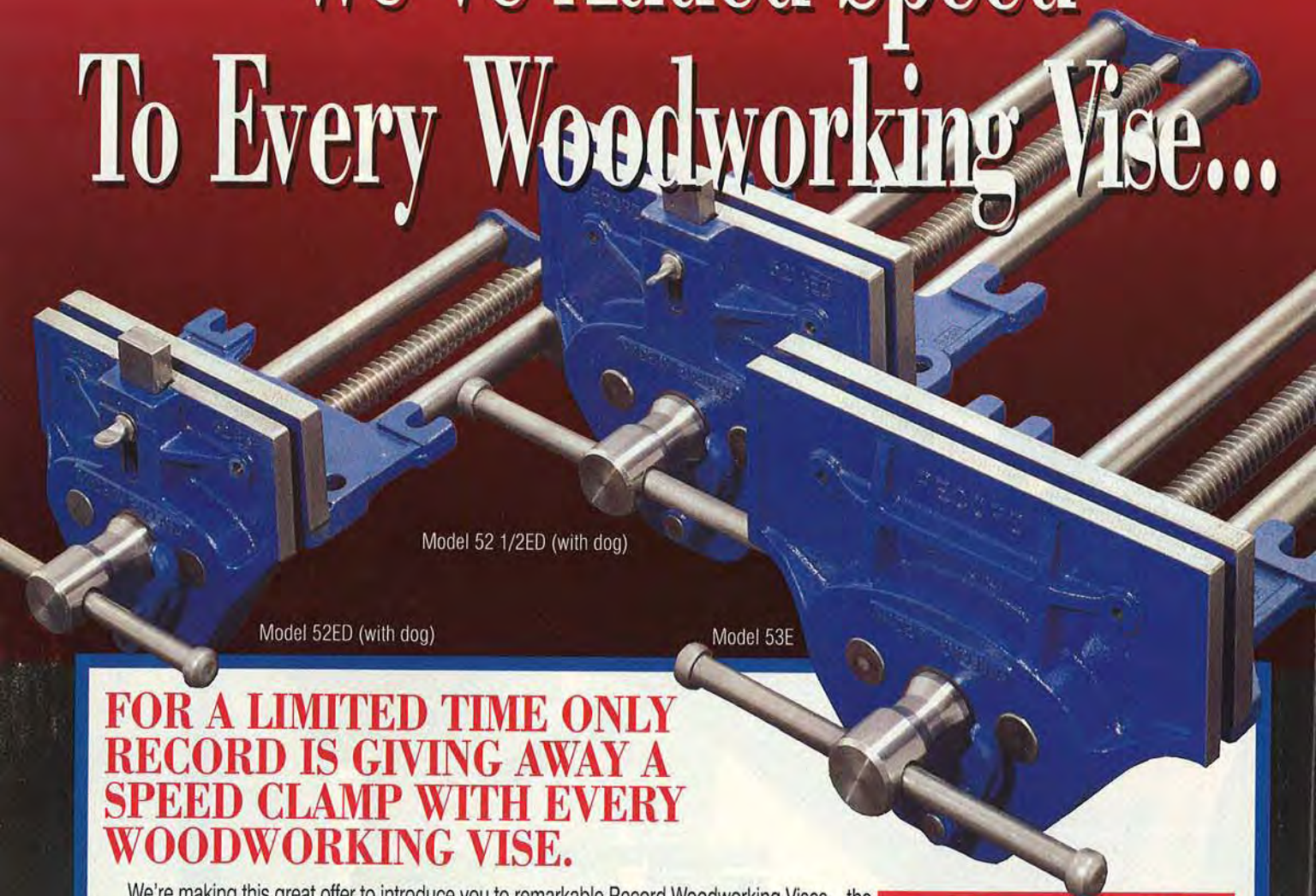


\$100 REBATES

A stable of workhorses. Each with the heart of a thoroughbred. Our Combination 6" Belt/12" Disc Sander, 8" Precision Jointer, Heavy Duty Wood Shaper and any model Unisaw® 10" Tilting Arbor Saw, each get you \$100 back from Delta. Our 6" Precision Jointer brings you a \$50 rebate.



We've Added Speed To Every Woodworking Vise...



Model 52 1/2ED (with dog)

Model 52ED (with dog)

Model 53E

FOR A LIMITED TIME ONLY RECORD IS GIVING AWAY A SPEED CLAMP WITH EVERY WOODWORKING VISE.

We're making this great offer to introduce you to remarkable Record Woodworking Vises... the quality vises that defy comparison!

Remember, before you buy - always compare and you'll insist on Record! You should ensure that the sliding jaw and body are finely cast from grey iron. And, these components should be precision machined on computer controlled equipment for consistent repetitive accuracy so you don't have to worry about 'getting a good one'. Look at the vise side-on. When fully closed the jaws should meet only at the top, leaving a gap at the bottom. That gives you even clamping pressure on the whole depth of the workpiece. And, of course, countersunk holes should be provided so you can fit your own choice of wooden cheeks to protect the work.

The steel main screw should have a buttress thread and quick-release trigger mechanism. This disengages the main screw allowing the jaw to slide freely - saves a lot of time if you're working with different widths of stock. The steel guide rods will be accurately made and fitted, reducing wear and providing a smooth parallel adjustment. And if you intend to install 'stops' along your bench top, you'll find an adjustable 'dog' is a useful extra.

These and other features have made our vises first choice for generations of woodworkers.



Visit your authorized Record Dealer today!

Record Tools Inc.
1915 Clements Road, #1, Pickering
Ontario, Canada L1W 3V1
Telephone: (416) 428-1077 Fax: (416) 428-7555

BONUS



FREE Record SPEEDCLAMP

Purchase any one of these quick release woodworking vises (52ED*, 52 1/2ED*, 53E with 8", 13", and 15" jaw openings) at your authorized dealer before January 31, 1993 and you'll receive a Record Speedclamp M.S.L. over \$25.00... **ABSOLUTELY FREE!**

LIMITED OFFER! While supplies last

* With adjustable 'dog'.



PRODUCTS THAT PERFORM

See your Record Dealer now!

USA

CALIFORNIA

EAGLE TOOL COMPANY

2217 El Fol Ave., Los Angeles, CA 91101
818-797-8262

THE JAPAN WOODWORKER

1731 Clement Ave., Alameda, CA 94501
1-800-537-7820

COLORADO

WOODCRAFT SUPPLY

Tamarac Terrace
4403 S. Tamarac Parkway, Denver, CO 80237
303-290-0007

GEORGIA

HIGHLAND HARDWARE

1045 N. Highland Ave., Atlanta, GA 30306
404-872-4466

STONE MOUNTAIN POWER TOOLS

P.O. Box 2825, Norcross, GA 30091
404-446-8390

ILLINOIS

R.A. NESS

THE WOODWORKERS EMPORIUM

8888 N. Milwaukee Ave., Niles, IL 60714
1-800-368-6377 • 708-824-0565

MASSACHUSETTS

WOODCRAFT SUPPLY

313 Montvale Ave., Woburn, MA 01801
617-935-6414

MICHIGAN

WOODCRAFT SUPPLY

Heritage Plaza
14695 Telegraph Road, Redford Township, MI 48239
313-537-9377

MINNESOTA

WOODCRAFT SUPPLY

Plaza at Oxboro
9741 Lyndale Avenue South, Bloomington, MN 55420
612-884-3634

MISSOURI

WOODCRAFT SUPPLY

Dierberg's Heritage Place
12511 Olive Blvd., St. Louis, MO 63141
314-434-5779

NEW YORK

PHILIPPS BROTHERS SUPPLY, INC.

2525 Kensington, Amherst, NY 14226
1-800-888-7271

PITTSFORD LUMBER & WOOD SHOP

50 State St., Pittsford, NY 14534
716-586-1877

OREGON

THE TOOL PEDDLER

9907 South East 82nd, Portland, OR 97266
503-777-TOOL • 1-800-344-8469

PENNSYLVANIA

WOODCRAFTERS SUPPLY

7703 Perry Hwy., Pittsburgh, PA 15237
412-367-4330

TEXAS

WILLIAMS TOOL & HARDWARE SUPPLY

2017 White Settlement Rd., Ft. Worth, TX 76107
1-800-788-0007 • 817-335-4749

WASHINGTON

WOODCRAFT SUPPLY

Georgetown Center
5963 Corson Avenue South, Seattle, WA 98108
206-767-6394

CANADA

ALBERTA

BLACK & DECKER CANADA INC.

11440 - 142nd St., Edmonton, Alberta T5M 1V1
403-453-2373

BRITISH COLUMBIA

BLACK & DECKER CANADA INC.

1735 Boundary Road, Vancouver, British Columbia V5M 3Y7
604-291-9942

MANITOBA

BLACK & DECKER CANADA INC.

934 St. James Street, Winnipeg, Manitoba R3H 0K3
204-783-7294

MARITIMES

BLACK & DECKER CANADA INC.

6100 Young Street, Halifax, Nova Scotia B3K 2A4
902-453-5090

MARTONE STORAGE & DISPLAY INC.

P.O. Box 683, Moncton, New Brunswick E1C 8M7
(Maritimes only) 1-800-561-7040 • 506-853-1990

ONTARIO

ATLAS MACHINERY SUPPLY LTD.

233 Queen St. West, Toronto, Ontario M5V 1Z4
416-598-3553

BLACK & DECKER CANADA INC.

100 Central Ave., Brockville, Ontario K6V 5W6
613-342-6641

BLACK & DECKER CANADA INC.

981 Wellington Rd. South, London, Ontario N6E 3A9
519-649-2407

BLACK & DECKER CANADA INC.

1480 Dundas St. East, Mississauga, Ontario L4X 1L4
416-277-0011

BLACK & DECKER CANADA INC.

48 Kodiak Cres., North York, Ontario M3J 3G5
416-635-6740

LEE VALLEY TOOLS LTD.

P.O. Box 6295, Station J, Ottawa, Ontario K2A 1T4
In Can. 1-800-267-8767 • In U.S. 1-800-461-5053

ONTARIO & WESTERN CANADA

NORMAND INC.

5630 Tomken Rd., Unit #6, Mississauga, Ontario L4W 1P4
416-670-8670 • FAX: 416-670-8672

QUEBEC

BLACK & DECKER CANADA INC.

1562 Ch. De Chambly, Longueuil, Quebec J4J 3X5
514-670-4611

BLACK & DECKER CANADA INC.

3061 Belanger East, Montreal, Quebec H1Y 1B4
514-722-1021

J. R. NORMAND

640 Cameron Ave., St. Marie De Beauce, Quebec G6E 3A6
418-387-3645

QUEBEC & ATLANTIC CANADA

NORMAND INC.

1889 Boul. Dagenais, Laval, Quebec H7L 5A3
514-628-4650 • FAX: 514-628-3570

A work mat with true grip

Until recently, to hold and cushion workpieces while I routed or sanded them, I used a 1/2" foam pad that resembled carpet pad without that slick coating on either side. The pad freed me from using bench dogs or hold-down clamps, but had a few drawbacks. First, it and my workpiece slipped if there was any dust on the workbench or pad. And, it took up a lot of valuable storage space.



Now, I'm sold on the MagicMat—a vastly improved, 1/8"-thick pad made of rubber. It has much greater gripping strength and durability than the carpet-pad-type mats, and it rolls up to about the size of the cardboard tube found with gift-wrapping paper. The 36x24" product sells for about \$11, so you can economically cover an entire workbench.

In my tests, I experienced no workpiece-to-mat or mat-to-workbench slippage while routing or sanding. When the mat became coated with sawdust, a quick shaking made it clean again. Because this pad is so dense, I can drive nails into a project or pound joints together while working on it. In this application, the pad protects project parts from denting during assembly.

—Tested by Bob McFarlin

MagicMat pad for gripping and cushioning workpieces, \$10.99 each plus \$3.75 shipping. Free shipping on orders over \$25. Quaker State Woodworking Supply, 4434 Kutztown Rd., Reading, PA 19560. Call 800/776-5467.

Continued on page 28

PRODUCTS THAT PERFORM

Continued from page 27

An affordable lathe with dial-operated variable speed

Delta's new Model 46-700 lathe has features I never thought I'd see on a lathe with a suggested retail price of \$548 (sale prices may be \$100 less). First, you only need to rotate a lever to go from 500 to 2,000 rpm—no belts to wrestle with at all. With the 125-pound machine you can turn stock up to 12" in diameter and 36" long over the bed. Its unique pivoting headstock rotates 90° for outboard turning of workpieces up to 16" in diameter and 4" thick (see the inset photo at right).

After unpacking my test sample, I found the assembly instructions and owner's manual clear and thorough. I had the lathe running in less than 20 minutes. From the start, I appreciated the fact that the machine works with the accessories for my older Delta lathe.



To test the machine, I turned a weed pot and a few rolling pins, and then moved on to a slightly out-of-round bowl blank. Even when I tried, I couldn't get the lathe's 3/4-hp motor to bog down.

The variable-speed control operates smoothly and effortlessly, but I noticed a bit of noise from the headstock when I turned the speed to the low-end 500 rpm setting. I would prefer a slightly slower bottom speed, about 300 rpm, for roughing work. But, this limitation can be overcome by

bandsawing the workpiece round before turning it.

—Tested by Marlen Kemmet

Delta model 46-700 wood lathe, suggested retail price of \$548 at Delta dealers nationwide. For more information, or the location of your nearest dealer, call 800/438-2486 or 412/963-2400. ♣



If You **SNOOZE...**
You'll Lose

"The World's
Finest Jig Saw"



LIST
\$265.00

Barrel grip

- High efficiency motor
- Four position orbital action gives correct blade cutting motion for all jobs
- Adjustable foot plate tilts left and right up to 45°
- Exhaust air deflector switch blows dust off the cutting line
- Double insulated, UL listed, complies to OSHA
- Standard equipment includes: Three Assorted Blades, Anti-Splintering Device, Hex Key

LIST
\$265.00



1581V5

Top Handle Design

CALL NOW
1-800-888-7271
TO PLACE ORDER

Your Choice
\$129

Limited Quantity While Supplies Last! PPD

Blade Asst. T500 **\$5.54**

One of each of the 5 most requested blades.

Foam Lined Power Tool Case **\$20.06**

Circular & Parallel Cutting Guide **\$10.17**

2607 001 069

SAVE UP TO 25% on genuine Bosch blades



PHILIPPS BROS. SUPPLY, INC.

Construction and Industrial Supplies
2525 KENSINGTON AVE. • AMHERST, NY 14226-4999 • 716/639-4800
CALL TOLL FREE 1-800-888-7271 • FAX 716/639-4051
Store Hours: Mon., Tues., Wed. & Fri. 7:30 am-5:30 pm
Thurs. 7:30 am-8:00 pm Sat. 9:00 am-3:30 pm



GET TO THE FINISH LINE FASTER

WITH THE HORSEPOWER, SPEED AND PRECISION
OF A PERFORMAX DRUM SANDER

Stride forward to your next project faster. A Performax Drum Sander will reduce your project time from start to finish. Exclusive features allow you to surface rough-sawn lumber, to dimension "unusable" stock, to clean-up glued panels, to finish sand the thinnest veneers, to sand stock as wide as 44", as short as 2 1/2", and as thick as 4".

Don't be left in the sawdust. Select the model to fit your budget and your needs. Prices start at \$300. Call Toll-Free today for brochures and the dealer nearest you, or write to:



Made in the U.S.A.

12211 Woodlake Drive, WD2, Burnsville, MN 55337

PERFORMAX
PRODUCTS, INC. X

1-800-334-4910
or (612) 895-9922

Buy Direct From The Manufacturer And **SAVE!**

**Buy 12 "EVER-LAST" Belts...
Get 12 Belts FREE!**



"EVER-LAST" BELTS

Available 36x to 320x grit

1"x30" ...	\$16.50/Doz.	+ 12 FREE
1"x42" ...	16.95/Doz.	+ 12 FREE
2"x48" ...	25.25/Doz.	+ 12 FREE
2½"x16" ...	17.95/Doz.	+ 12 FREE
3"x18" ...	18.25/Doz.	+ 12 FREE
3"x21" ...	19.25/Doz.	+ 12 FREE
3"x24" ...	19.75/Doz.	+ 12 FREE
4"x21" ...	23.50/Doz.	+ 12 FREE
4"x21¾" ...	23.75/Doz.	+ 12 FREE
4"x24" ...	24.00/Doz.	+ 12 FREE
4"x36" ...	28.75/Doz.	+ 12 FREE
6"x48" ...	37.50/½ Doz.	+ 6 FREE

Other size belts on request.

Belt Cleaning Stick \$4.95 each

WIDE BELTS (Minimum of 3 belts per size)

SIZE	Anti-Static "E" Wt. Paper 220E-100E	Alum. Oxide Resin Bond Cloth Belts "X" Wt. Cloth 400x-100x	"X" Wt. Cloth 80x	"X" Wt. Cloth 60x
	19"x48"	\$ 7.90 ea.	\$11.09 ea.	\$11.45 ea.
24"x60"	11.33	16.37	16.94	17.81
25"x60"	11.80	17.05	17.65	18.55
25"x75"	13.56	20.13	20.88	22.00
36"x75"	19.53	28.98	30.06	31.68
37"x60"	17.46	25.23	26.12	27.45
37"x75"	20.07	29.79	30.90	32.56
50"x103"	33.71	51.73	53.79	56.88
52"x75"	28.21	41.86	43.42	45.76

(WIDE BELTS Not Included in Special Offer)



9" x 11" SHEET GOODS

A/O CABINET PAPER		NO-LOAD PAPER (White)		A/O CLOTH SHEETS	
GRIT	100/pk	GRIT	100/PK	GRIT	50/pk
220A-180A	\$21.00	400A-180A	\$19.00	400J-100J	\$27.50
150C-100C	23.00	150A-100A	24.00	80J	29.50
80D	25.00	80A	28.00	60J	33.50
60D	27.00				

No-Load Paper Sticky Discs 100/pk

	GRIT	5"	6"
PSA Carat	400B-100B	\$15.45	\$20.95
PSA Carat	80D	16.45	21.95
PSA Gold	400C-100C	18.95	25.95
PSA Gold	80D	20.95	27.95



"E" Wt. Aluminum Oxide Paper Rolls
80E thru 220E

4-1/2" x 25 ft. . . . \$9.95
3-5/8" x 25 ft. . . . 8.95



**6" WIDE STROKE
SANDING
BELTS**

Special!

Buy 12 Belts...
Pay for only
Eleven!

SIZE	PRICE
150" - 175"	\$10.50
176" - 200"	11.75
201" - 225"	13.00
226" - 250"	14.25
251" - 275"	15.50
276" - 300"	16.75
301" - 325"	18.00
326" - 350"	19.25

Other sizes available
Avail. 36x to 320x grit

We also supply... Flap Wheels, Pump Sleeves, Sanders, Cloth Discs Shop Rolls, Drum Sanding Rolls, Floor Sanding Paper, "Velcro" Discs, Wood Glue, Cones, Bands, Grinding Belts, Non Woven Abrasives, plus much more!!!

WE OFFER VOLUME DISCOUNTS!

For Fast Delivery **1-800-428-2222**
M thru F 8:30-4:30. Call or write for FREE catalog.

Shipping Charges: \$4.75 in Continental USA
Minimum order \$25.00. PA residents add 6% sales tax
We accept: Visa, Mastercard, money order or checks

**INDUSTRIAL
ABRASIVES CO.**
643 N. 8th ST. • READING, PA 19612

PLEASE, HELP US HELP YOU WOOD[®] MAGAZINE'S 1992 SURVEY

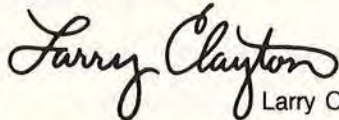
Editing a woodworking magazine isn't easy, even if it's often a lot of fun. That's why we're asking you to spend a few minutes to tell us about your needs and interests. Then, we can publish the kind of magazine you'll want to keep on reading.

To make your job of giving us feedback simple, we have worked up a batch of questions on the front and back of this page. All you need to do is answer them, cut out the page along the dotted line (or photocopy it), and return the completed questionnaire to the following address by December 1, 1992:

1992 EDITOR'S SURVEY
WOOD Magazine
1912 Grand Ave
Des Moines, IA 50309-3379

Thanks so much for your help.

Sincerely,



Larry Clayton, Editor

1. How did you obtain this issue of WOOD magazine?

- 11-1 Through a subscription (go to question 4)
 -2 Purchased at store/newsstand
 -3 Magazine was lent or given to me

2. Have you purchased previous issues of WOOD magazine?

- 12-1 Yes (how many?) _____ 12-13 -2 No

3. Which of the following factors influenced your decision to buy this issue of WOOD magazine? (Check all that apply.)

- 15 Didn't purchase this issue (Go to question 4.)
 16 New-products banner 20 The tool articles
 17 The title of the magazine 21 Gift projects
 18 The cover photograph
 19 Other: _____

5. Which of the following environmental subjects would you like to read about in WOOD magazine? (Check all that apply.)

- 48 Air pollution
 49 Recycling
 50 Our forests/forest products
 51 Endangered woods
 52 Safe shops/products
 53 Saving energy

6. What best describes your reaction to the IDEA SHOP shown in the September 1992 issue of WOOD magazine?

- 54-1 I enjoyed the IDEA SHOP and would like to see more on this subject.
 -2 I enjoyed the IDEA SHOP, but any more on this subject wouldn't interest me.
 -3 I did not enjoy the IDEA SHOP.

7. In this special issue of WOOD magazine, we have devoted 24 pages to new woodworking products and updated information on power tools. Which of the following statements best describes how you feel about this format?

- 55-1 I like having this many pages devoted to the subject in a special issue.
 -2 I would rather see a smaller number of pages on products be included in this special issue.
 -3 I am not interested in tool and product information.

8. Are you aware that you can purchase back issues of WOOD magazine?

- 56-1 Yes -2 No (Go to question 10)

9. How many back issues of WOOD have you purchased?

- 57-1 None -2 5-9 -3 20 or more
 -4 1-4 -5 10-19

10. If we decided to publish a cumulative index that listed all the articles from issue no. 1 of WOOD magazine to the present, how likely would you be to purchase it at a price of \$4.95?

- 58-1 Very likely -2 Not at all likely
 -3 Somewhat likely

Continued on page 32

4. Please indicate how you feel about the mix of articles in WOOD magazine:

		Include more	About the same number	Include fewer	Do not include					Include more	About the same number	Include fewer	Do not include
		(1)	(2)	(3)	(4)					(1)	(2)	(3)	(4)
Small projects	22					New products	35						
Large projects	23					GENERAL FEATURES:							
Small furniture	24					Craftsmen closeups	36						
Scrollsaw items	25					Lumber buying and use	37						
Large furniture	26					Tree familiarity	38						
Carving	27					Safety	39						
Turning	28					Woodworking education	40						
Toys	29					Business tips	41						
TOOLS/TECHNIQUES:						Woodworking history							
Finishing	30					Old tools	43						
Tool comparisons	31					Woodworking trivia	44						
Joinery	32					Woodworking clubs	45						
Machine maintenance	33					Readers' shops	46						
Hand tool use	34					Woodworkers' homes/furniture	47						

Corners. Nooks. Crannies. Notches. The powerful new Ryobi Detail Sander takes care of all your sanding details. Its triangular head gets into places other sanders can't reach. And its oscillating action produces extra fine finishes, virtually

eliminating finger sanding.

Optional add-on accessories turn this versatile tool into even more of a small wonder. Besides sanding, you can use the Detail Sander for

removing light rust from intricate surfaces – like ornamental wrought iron furniture and railing – with the Metal Finishing Pad.

Remove paint and adhesive from glass and wood easily with the Scraper Blade. Wax and polish tight spots and angles with the Wax/Buffering Pad; ideal for car detailing.



Remove paint and varnish from hard-to-reach surfaces easily with the Stripping Pad.

Or smooth bare wood and prepare newly painted surfaces between finish coats with the Finishing Pad.

The Ryobi Detail Sander. It's fast, versatile and easy to use. For even more details, stop by your Ryobi dealer today or call 1-800-525-2579.

Made in USA by Ryobi

RYOBI[®]

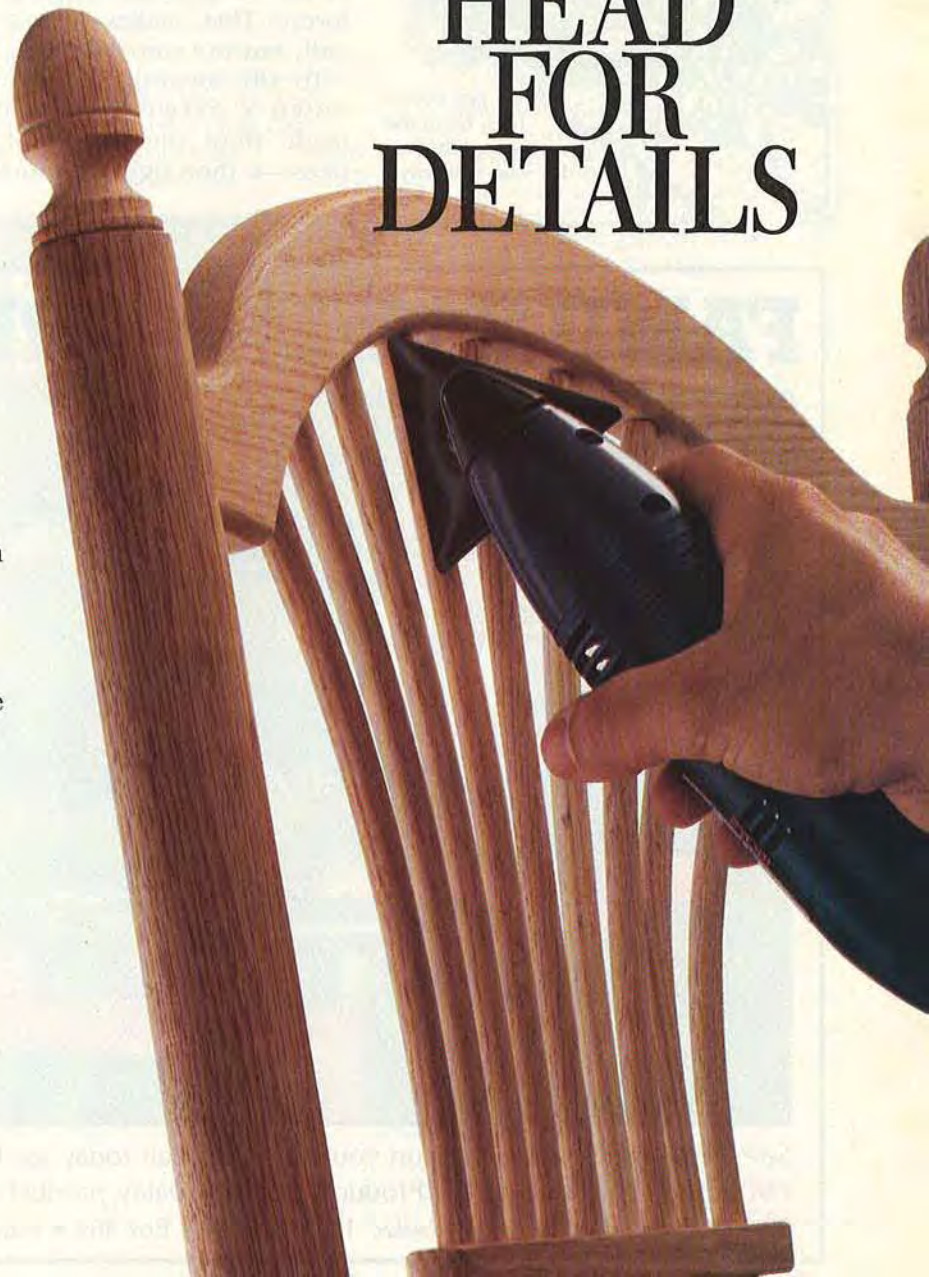
Making Innovative Concepts A Reality™

Ryobi America Corp., 5201 Pearman Dairy Road, Suite 1,
Anderson, SC 29625-8950

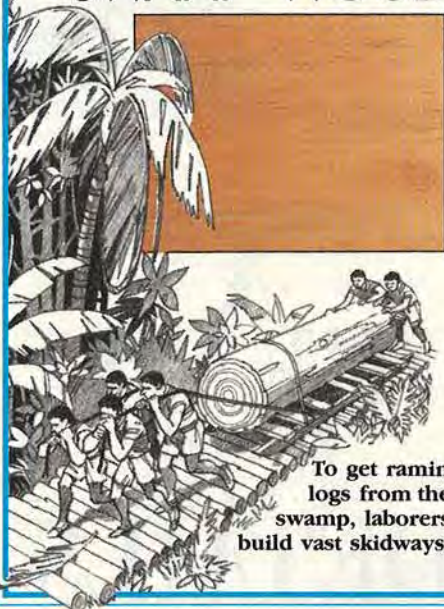
© Ryobi America Corp. 1992



A HEAD FOR DETAILS



RAMIN A SHADE-LOVING SWAMP WOOD



To get ramin logs from the swamp, laborers build vast skidways.

The peat can be up to 80' deep in the forested, fresh-water swamps of Sarawak and neighboring Borneo in Malaysia. So, Caterpillar tractors and heavy trucks—the traditional log-harvesting machines of tropical forests—only bog down in the muck. Yet, from these dense, dark swamps comes one of the most utilitarian woods in the world's timber trade.

Ramin (*Gonystylus bancanus*) is a strong, light-colored wood of fine texture and straight grain that becomes everything from dowels to plywood. And ramin prefers the low, canopied swamp—where little light penetrates—to more open—and drier—high-ground forest. That makes harvest difficult, but not impossible.

In the swamps, laborers lay down a network of skidways made from the trunks of small trees—a thoroughfare much akin

to the roads paved with logs (referred to as "corduroy") used in frontier America. From the air, the skidway network in the swamp looks like the branches of a tree. The trunk of the "tree" is a narrow-gauge railroad that totes the cut logs to the distant sawmill.

Ramin logs, normally about 2' in diameter, skid along the wood road on sleds pulled by four- to eight-man teams. When an area of peat swamp becomes depleted of ramin, the loggers move on elsewhere to build their skidways.

Because ramin seeds do not readily germinate in an area cleared of trees and their shade, the harvest teams can't come back for a second crop of logs in their lifetime. But years later, more light-tolerant timber trees appear, such as meranti and shorea. They provide the needed shade for a second growth of ramin. 🌳

Illustration: Jim Stevenson

FAMILY FUN with the rbi HAWK



Think of
all you'll make
with this
versatile tool

- decorative fretwork
- gingerbread cutouts for shelf brackets and trim
- puzzles
- game boards
- jewelry boxes
- clocks
- wooden nameplates
- items for tole painting
- Christmas ornaments
- toys
- handcrafted gifts
- plaques
- curios
- ...and much more!

The more intricate the cut, the more you need a Hawk!

See for yourself how much fun you can have. Call today for FREE information on the Hawk and other rbi equipment listed in the Products Guide. Quality products for woodworkers since 1929.

rbi Industries, The American Toolmaker, 1801 Vine St. • Box 369 • Harrisonville, MO 64701 • 1-800-487-2623 B86

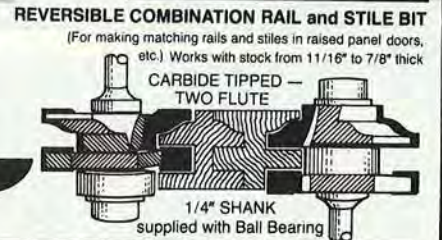
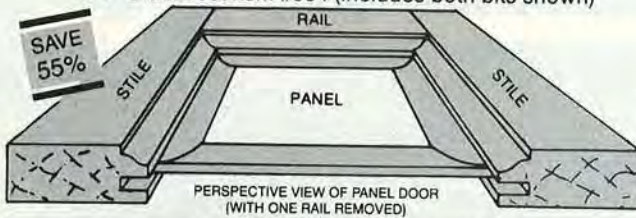
MAKE BEAUTIFUL RAISED PANEL DOORS WITH YOUR . . . 1/4" or 1/2" ROUTER . . . 1/2" or 3/4" SHAPER

Professional production quality bit makes it quick and easy to produce matching rails and stiles — the panel raising bit with ball bearing guide makes the raised panel perfect every time.

SALE PRICE **\$69⁹⁵** Regular value over \$150.00!
FOR COMPLETE SET 1/4" Shank set item #554 (includes both bits shown)

SET ALSO AVAILABLE IN 1/2" SHANK - \$79.95 - Item #852

Shaper Cutters set: Item #1059
SAVE! only \$99.95
 Set: Rail & Stile & Raised Panel Cutters



CARBIDE TIPPED ROUTER BITS • PROFESSIONAL PRODUCTION QUALITY GUARANTEED WHEN ORDERING ANY THREE OR MORE DEDUCT \$1.00 EACH • FREE SHIPPING IN CONTINENTAL U.S.

ITEM NO.	BEST CUT BEST PRICE	DESCRIPTION	ANGLE/DEPTH/RADIUS CIRCLE DIAMETER	LARGE DIA.	CUTTING LENGTH	SHANK SIZE	PRICE
#601	Solid Carbide	1/8" Spiral Cutter		1/8"	1/2"	1/4"	\$ 9.00
#603		1/4" Spiral Cutter	1/4"	3/4"	1/4"	\$12.00	
#903		1/4" Spiral Cutter	1/4"	3/4"	1/2"	\$12.00	
#904		3/8" Spiral Cutter	3/8"	1"	1/2"	\$24.00	
#905		1/2" Spiral Cutter	1/2"	1 1/2"	1/2"	\$28.00	
#530		3/16" Edge Beading	3/16" Dia. of Circle		1/2"	1/4"	\$15.00
#531		5/16" Edge Beading	5/16" Dia. of Circle		1/2"	1/4"	\$15.50
#350		1/8" Round Over	1/8" R	3/4"	3/8"	1/4"	\$11.00
#351		3/16" Round Over	3/16" R	7/8"	1/2"	1/4"	\$11.00
#230		1/4" Round Over	1/4" R	1"	1/2"	1/4"	\$12.00
#353		5/16" Round Over	5/16" R	1 1/8"	1/2"	1/4"	\$14.00
#209		3/8" Round Over	3/8" R	1 1/4"	5/8"	1/4"	\$15.00
#355		1/2" Round Over	1/2" R	1 1/2"	3/4"	1/4"	\$17.00
#655		1/2" Round Over	1/2" R	1 1/2"	3/4"	1/2"	\$17.00
#656		3/4" Round Over	3/4" R	2"	3/8"	1/2"	\$21.00
#199		Multiform Moulding	Unlimited Patterns	2 1/4"	2"	1/2"	\$40.00
#205		1/4" Cove	1/4" R	1"	1/2"	1/4"	\$12.00
#206		3/8" Cove	3/8" R	1 1/4"	9/16"	1/4"	\$13.00
#207		1/2" Cove	1/2" R	1 1/2"	5/8"	1/4"	\$14.00
#643		1/2" Cove	1/2" R	1 1/2"	5/8"	1/2"	\$15.00
#208		3/4" Cove	3/4" R	1 7/8"	3/4"	1/2"	\$26.00
#231		5/32" Roman Ogee	5/32" R	1 1/4"	1 1/32"	1/4"	\$16.00
#232		1/4" Roman Ogee	1/4" R	1 1/2"	3/4"	1/4"	\$17.00
#506		1/2" Pattern	Flush Trim	1/2"	1"	1/4"	\$15.00
#508		3/4" Pattern	Flush Trim	3/4"	1"	1/4"	\$17.00
#366		1/8" Slot Cutter	3/8" Deep	1 1/4"	1/8"	1/4"	\$14.00
#368		1/4" Slot Cutter	3/8" Deep	1 1/4"	1/4"	1/4"	\$14.00
#204		3/8" Rabbeting	3/8" Deep	1 1/4"	1/2"	1/4"	\$13.00
#670		3/8" Rabbeting	3/8" Deep	1 1/4"	1/2"	1/2"	\$14.00

ITEM NO.	BEST CUT BEST PRICE	DESCRIPTION	ANGLE/DEPTH/RADIUS CIRCLE DIAMETER	LARGE DIA.	CUTTING LENGTH	SHANK SIZE	PRICE
#211		3/8" Core Box	round nose	3/8"	3/8"	1/4"	\$10.00
#212		1/2" Core Box	round nose	1/2"	1 1/32"	1/4"	\$13.00
#418		3/4" Core Box	round nose	3/4"	5/8"	1/4"	\$15.00
#213		1" Core Box	round nose	1"	3/4"	1/2"	\$17.00
#548		Lockmitre		2"	7/8"	1/4"	\$32.00
#214		1/4" Straight	plunge cutting	1/4"	3/4"	1/4"	\$ 6.50
#216		3/8" Straight	plunge cutting	3/8"	1"	1/4"	\$ 6.50
#474		1/2" Straight	plunge cutting	1/2"	1"	1/4"	\$ 7.00
#219		3/4" Straight	plunge cutting	3/4"	1"	1/4"	\$ 9.50
#779		3/4" Straight	plunge cutting	3/4"	1 1/2"	1/2"	\$10.00
#462		1/2" Bull Nose	1/2" Dia. of Circle		3/4"	1/4"	\$16.00
#464		3/4" Bull Nose	3/4" Dia. of Circle		1"	1/4"	\$21.00
#764		3/4" Bull Nose	3/4" Dia. of Circle		1"	1/2"	\$21.00
#545		Tongue & Groove	Straight	1 5/8"	1"	1/4"	\$29.00
#845		Tongue & Groove	Straight	1 5/8"	1"	1/2"	\$29.00
#546		Tongue & Groove	Wedge	1 3/16"	1"	1/4"	\$29.00
#846		Tongue & Groove	Wedge	1 5/8"	1"	1/2"	\$29.00
#450		1/8" Beading	1/8" R		3/4"	3/8"	\$11.00
#233		1/4" Beading	1/4" R		1"	1/2"	\$13.00
#454		3/8" Beading	3/8" R		1 1/4"	5/8"	\$15.50
#455		1/2" Beading	1/2" R		1 1/2"	3/4"	\$17.00
#500		3/8" Flush	Trimming	3/8"	1/2"	1/4"	\$ 7.00
#501		3/8" Flush	Trimming	3/8"	1"	1/4"	\$ 7.50
#503		1/2" Flush	Trimming	1/2"	1"	1/4"	\$ 8.50
#221		1/2" Flush	Trimming	1/2"	1 3/16"	1/2"	\$ 8.00
#558		Thumbnail		1 3/16"	3/8"	1/4"	\$18.50
#858		Thumbnail		2 1/2"	3/4"	1/2"	\$35.00
#579		Molding Plane		1 1/8"	1 3/4"	1/4"	\$31.95
#679		Molding Plane		1 1/8"	1 3/4"	1/2"	\$31.95

New 32-page catalogue featuring 100's of high-quality router bits, plus other professional woodworking products.



Featured in WOOD® magazine Idea Shop

CONTROL THE SPEED OF YOUR ROUTER

ROUT AT THE SPEED THAT GIVES THE BEST RESULTS WITH THE WOOD AND BIT YOU ARE USING!

FEATURES:

- Speed Adjustable from Full Speed to 0 RPM
- Full Horsepower and Torque at All Speeds
- Go Back and Forth from Any Pre-Set Speed to Full Speed at the Flip of a Switch
- Works with All Routers 3/4 HP or Less
- 120V 15 Amp
- Gives Your Router a Feature Only Available on Routers Costing Hundreds of Dollars!

EASY TO USE - Simply plug in Speed Control and plug your router into the Speed Control - turn dial for best results. (Speed Control has a clip that can be worn on your belt or hung on wall or left loose.)

• Reduces speed electronically without reducing torque; electronic feed-back maintains speed by increasing voltage to motor as load increases.

NOW ONLY \$39.95
 Order Item #200

Visit Our Fully Stocked Showroom (Call for easy directions - 8:30-5:00, M-F)

While in the Phila. Area

To order by Master Charge, Visa, or Discover Call Toll Free, 7 Day - 24 Hour Order Service, **1-800-533-9298** or send check to: **MLCS Ltd., P.O. Box 4053D P, Rydal, PA 19046**



In a tiny cottage workshop perched on a picturesque pine-fringed lake, Ellen Harrington applies woodworking skills and marketing savvy to make it on the crafts' circuit.

After graduating from college, Ellen Harrington launched a marketing career as a sales representative for a pharmaceutical company. It lasted 13 years.

From her home base in Syracuse, New York, Ellen made her rounds and commissions. But as the years clipped by, it wasn't the office she looked forward to seeing daily—it was her shop.

"Each year since graduation, I had made an annual gift for some special relatives," says Ellen, 38. "One year I decided to make them a wooden welcome sign. I bought a jig-saw, an electric drill with a sanding attachment, and some paint. That's when I discovered how much I loved working wood."

It was a Maine vacation that kicked off her career change. "I fell in love with the Portland area," says Ellen. "Three years later, I transferred."

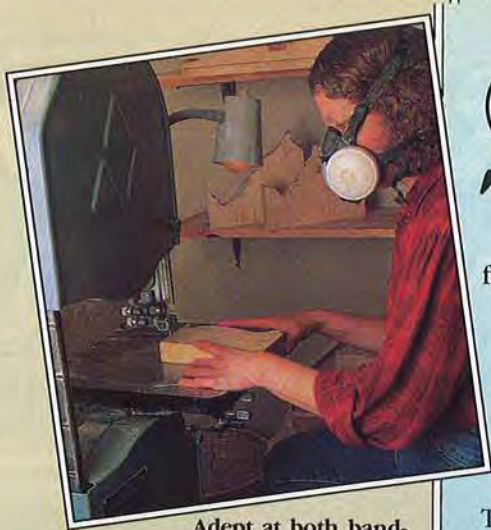
Soon, evenings found Ellen bandsawing and painting simple wooden figures to sell at arts and crafts fairs. "After about a year and a half I decided that I liked crafting better than selling," says Ellen. "So, I bought my house here on the lake and then quit my job."

Continued

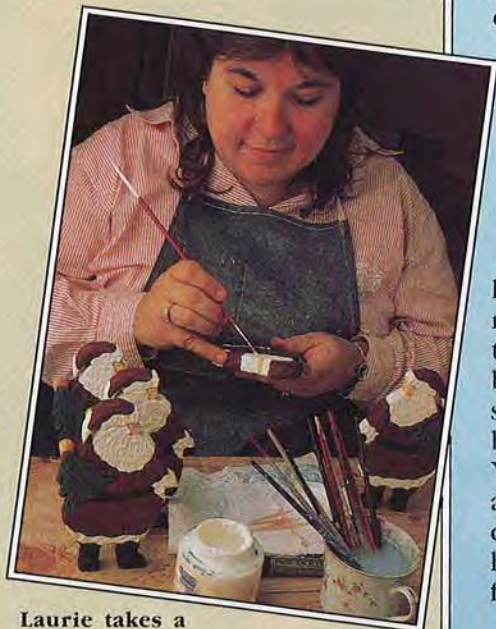
CARVED INTARSIA ONE BATCH AT A TIME



CARVED INTARSIA



Adept at both bandsawing and scrollsawing, Ellen does all the cutting for her line of items in her tiny shop.



Laurie takes a break from the power-carving sawdust to add details to some figures with acrylic paints.



When the stain on a batch of pieces has dried, Ellen assembles the designs with slow-set epoxy.

The address has a wonderfully rural ring to it: "Old Fishing Pond Road, Sanford, Maine." And, you think, the place itself must be as charming as a Currier and Ives print—a winding lane through fir and birch trees, shimmering water on the pond, a white-shuttered cottage, a roaring fireplace, and a cozy little workshop. Truly a woodworker's dream. For Ellen Harrington it is.

Woodworking at lakeside

Ellen's woodworking shop almost could fit inside a big-city elevator. But, according to her, when you're working small, a full line of stationary power tools isn't necessary.

"When I started my woodworking business [which she now calls "Keepsakes"], I had a light-duty Sears bandsaw, the kind most hobbyists use," comments Ellen. "Now, I've replaced that with a commercial-duty Delta bandsaw, added a Hegner scrollsaw, and use two Fordham flexible shaft, power-carving tools. You see, as production increased and the intarsia patterns got more complicated, I had to get more heavy-duty machines. I can't afford breakdowns."

Laurie Dunn, Ellen's friend and partner of the last few years, describes their work as figures and scenes made up of separate pieces glued together, like a jigsaw puzzle. Before joining, however, each piece receives carved details and a coat of stain. In other words, carved intarsia.

"Laurie does all the carving, and helps with the designs. She also paints some details," says Ellen. "I cut out the wood, glue up the pieces, and do some painting." Others occasionally help out with the staining and painting. But it's up to Ellen to set

up shop at arts and crafts fairs all along the East Coast—more than 40 in 1991—to sell their wares.

During the last couple of years, Ellen and Laurie have developed over 70 patterns for figures, plaques, wildlife, fantasy, folk art, and Christmas scenes. Some have as many as 26 pieces. And Ellen delights in their creation.

"Ninety percent of our work is made from ¾" northern white



pine that I buy as seconds [cut-offs] from a local sawmill," she says. "And for some designs—the naturally finished pieces—the grain becomes really important because it's part of the design."

"For every figure, every pattern, I'm looking for the right wood," she continues. "I've got pieces set aside to use for the sun, the moon, waves, and lots of things."

After Ellen selects the wood, the design begins to become reality. "I take the pattern and trace it right on the wood with tracing paper," she explains. "Then, it's either to the bandsaw or the scrollsaw for sawing out. Almost all of our figures have squiggly cuts, and require the scrollsaw. But if the pattern has long cuts and wide curves, I do it on the bandsaw with an ⅛" blade."

Working in batches of six, Ellen cuts out the pieces for each pattern, lays them all on a tray, and then moves the pieces to the belt sander to round their edges. From there, Laurie adds the carving.

"I use abrasive sleeves on the Fordham," says Laurie. "To get different details, such as deep and narrow slits, I angle the tool and use the edge of the abrasive band. The flat surface, held at a slight

angle, gives me wide scoops. For deep cuts, I go with 60- or 80-grit sleeves. For lighter ones, 120-grit."

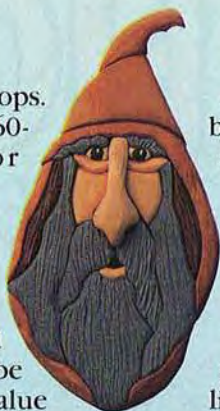
Batching for bucks

Perhaps reflecting her ingrained sales experience, Ellen long ago decided that all work produced be assigned a retail dollar value to assist in accounting for production time. "Each batch of six or so trays has a retail value of about \$500," she explains. "For instance, six herons, six cardinals, six chickadees, six goldfinches, and six parrots equal that total. I keep a record of the number of batches we do every day of the week," Ellen says.

"And we stain in batches, too. I will do chickadees and herons together because they use the same colors. And Christmas stuff with lots of red and greens—those patterns would fall into a batch."

There's one problem with batch work, though—especially with intarsia—and it sometimes causes grief. "You don't dare mix up the pieces," says Laurie. "Because Ellen saws out each figure or scene individually, no two of the same pattern are exactly alike, and the pieces aren't interchangeable."

That means that from the saw to carving, to staining, to assembly, the pieces that make up a design must huddle together in their designated spot on the tray. No shifting. No sorting. And keep the hands steady. Laurie adds: "If you drop a tray, you're done!"



After staining with rainbow-colored oil stains, Ellen allows the pieces to dry for 24 hours. Then, she assembles them with slow-set epoxy. Finally, she and Laurie add details such as eyes, belts, and buttons with acrylic paints. Now, the batches of little figures and scenes receive a spray coat of matte finish sealer, just enough to protect the wood without a shine.

As the trays of pieces reach completion, Ellen surveys her and Laurie's work. She nods, satisfied. "At the shows, we get a feeling for what people like," she says confidently. "But, that doesn't mean

we always make the designs people want. We don't do anything we don't like. I won't do a cow, for instance, no matter how many times people ask for one." She laughs. "For some reason, I just don't like cows."

KEEPSAKES BY MAIL

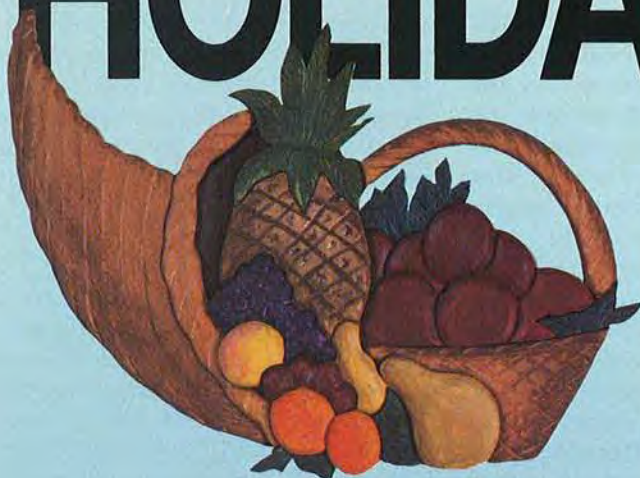
For a catalog of Ellen and Laurie's patterns, send \$2 to: *Keepsakes*, 4 Old Fishing Pond Road, Sanford, ME 04073. To make your own keepsake, turn to *page 40* for an intarsia project designed by Ellen and Laurie. We think it's just perfect for a Thanksgiving decoration. 🍂

Written by Peter J. Stephano
Photographs: Steve Uzzell



HOLIDAY HORN

CARVE AND PAINT



 [Print this article](#)

Before you slice into your Thanksgiving turkey this year, practice up by sinking your carving tools into this traditional symbol of Nature's bounty. Designed by Maine artist Ellen Harrington, this festive design lets you try your hand at carved intarsia.

1 Copy the pattern at right. Using carbon paper, transfer the outline onto a $\frac{3}{4} \times 9\frac{1}{4} \times 13$ " piece of pine.

2 With a $\frac{1}{8}$ " bandsaw blade or a No. 5 scrollsaw blade, cut out the pieces following the heavy black lines. Place the parts on a flat surface as you cut them out.

3 To make the back, trace the pattern outline onto $\frac{1}{4}$ "-thick plywood. So it won't show, scribe a line about $\frac{1}{8}$ " inside and parallel to the outline. Now, saw along the line you just scribed.

4 Round over the top edges on each piece. (We used a Dremel Moto-Tool equipped with a fine-grit sanding drum, but you may use a carving knife.) Next, sand down the neck of the pears and the pineapple leaf ends to give them distinct shape. Carve the grooves in the horn, basket, pineapple, grapes, and the leaves to give them texture and depth. Carve dimples in the face of the two oranges. (We formed these grooves with the edge of a spinning sanding drum, but you may use a small gouge, V-tool, or a pointed, high-speed cutter in a rotary-carving tool.)

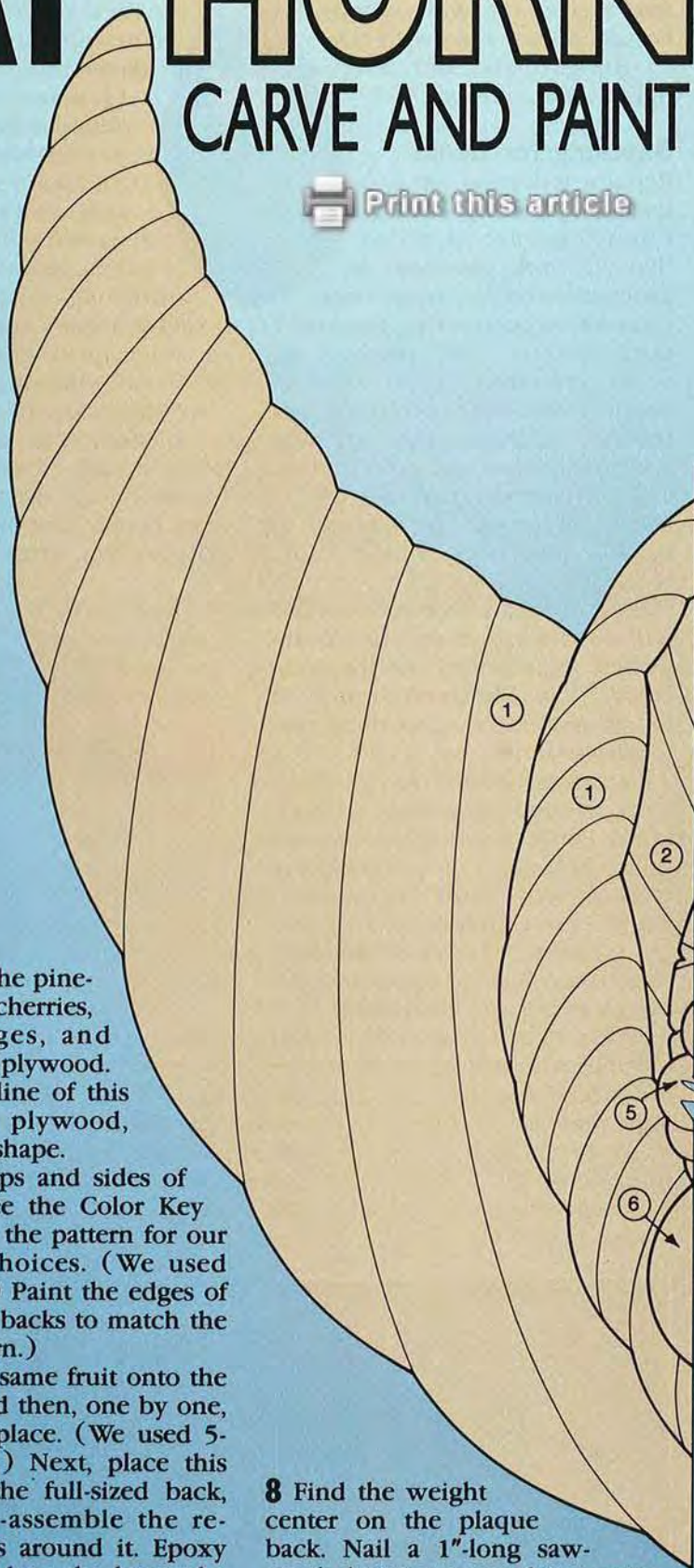
5 To add dimension to the fruit, make a second, elevated back.

Dry-assemble the pineapple, grapes, cherries, peach, oranges, and pears on $\frac{1}{4}$ " plywood. Scribe the outline of this group on the plywood, and saw it to shape.

6 Paint the tops and sides of each piece. See the Color Key accompanying the pattern for our paint color choices. (We used acrylic paints.) Paint the edges of both plywood backs to match the basket and horn.)

7 Position the same fruit onto the back again, and then, one by one, glue them in place. (We used 5-minute epoxy.) Next, place this assembly on the full-sized back, and then dry-assemble the remaining pieces around it. Epoxy the second back to the large plywood back, and clamp. Epoxy the remaining parts to the back.

8 Find the weight center on the plaque back. Nail a 1"-long sawtooth hanger over this center-point. Now, hang your carved intarsia for all to enjoy. 🌲



OF PLENTY

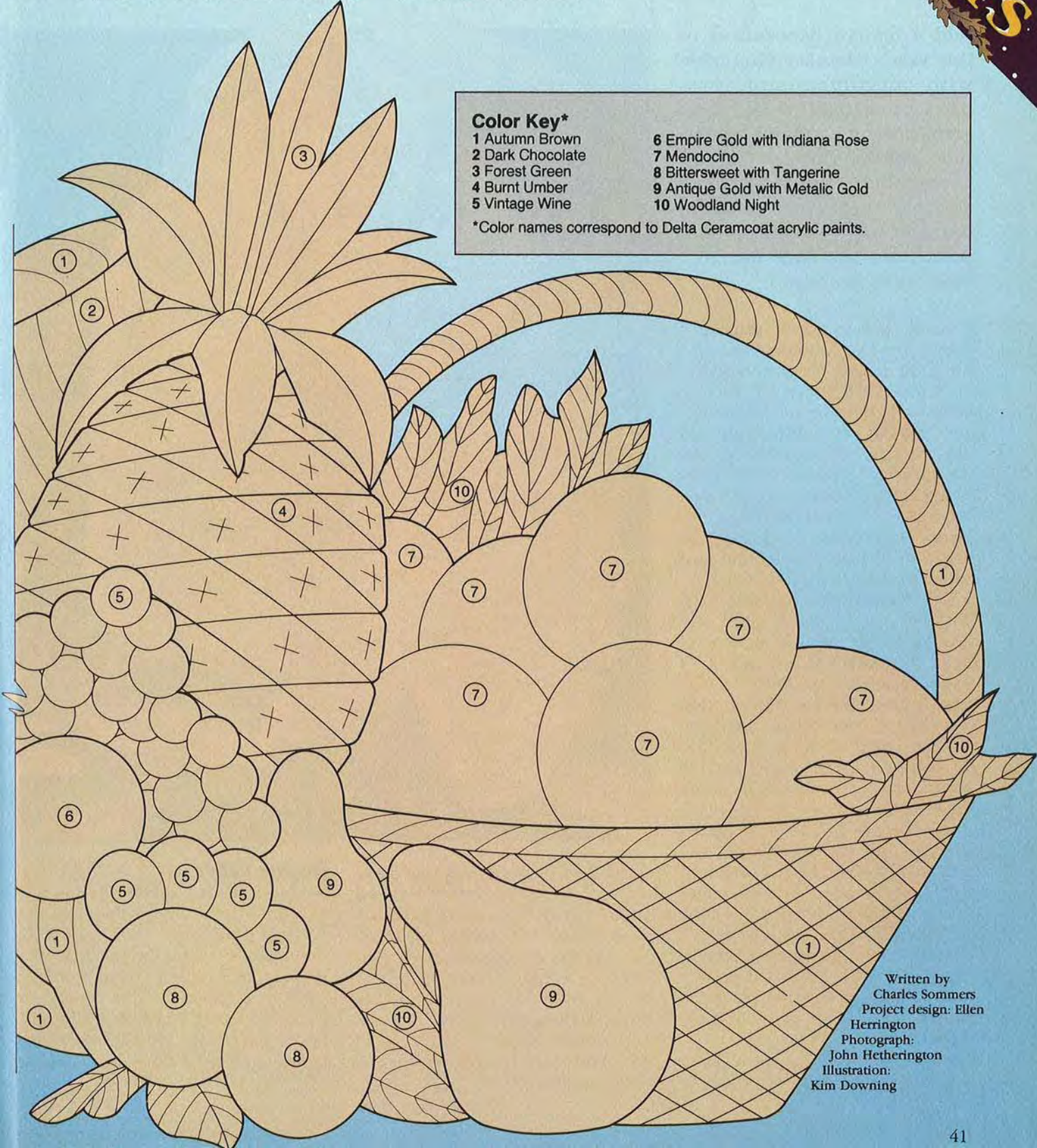
A THANKSGIVING TRADITION

FESTIVAL
of
PROJECTS

Color Key*

- | | |
|------------------|-----------------------------------|
| 1 Autumn Brown | 6 Empire Gold with Indiana Rose |
| 2 Dark Chocolate | 7 Mendocino |
| 3 Forest Green | 8 Bittersweet with Tangerine |
| 4 Burnt Umber | 9 Antique Gold with Metallic Gold |
| 5 Vintage Wine | 10 Woodland Night |

*Color names correspond to Delta Ceramcoat acrylic paints.



Written by
Charles Sommers
Project design: Ellen
Herrington
Photograph:
John Hetherington
Illustration:
Kim Downing

TABLETOP

A THANKSGIVING CENTERPIECE

Add a festive decoration to this year's Thanksgiving table with our supersimple two-part cutout. Using your scrollsaw or bandsaw, you're just minutes away from a completed project, leaving you plenty of time to carve the real turkey (and maybe do a little nibbling just to make sure it's done).

1 Using carbon paper, transfer paper, or two photocopies of the pattern and spray adhesive (we used 3M Super 77 spray adhesive), transfer the two turkey patterns (the entire body and the tail fan) to posterboard. Cut the patterns to shape to form the two templates. (Since we planned on making several turkeys, we made posterboard templates; for just one turkey, transfer the two patterns directly to your wood.)

2 Use the templates to transfer the patterns to $\frac{1}{4}$ " stock. (See the Buying Guide for our source of void-free birch plywood.) To form the tail fan on the $\frac{1}{4}$ " stock, trace around the half-pattern, flop the pattern over, align, and trace the other half of the pattern onto the plywood. See the Exploded View drawing for the shape of the finished tail fan.

3 Cut the tail fan and body pieces to shape (we used a scrollsaw and a #7 blade—.043 \times .016"—with 12 teeth per inch). You also could use a bandsaw equipped with a $\frac{1}{8}$ " blade for the outline and a coping saw for the hole in front of the neck. (We found it easiest to cut the arcs of the two pieces to shape, and then cut each V-shaped indentation.)

When cutting the notches in the two parts, remember that the



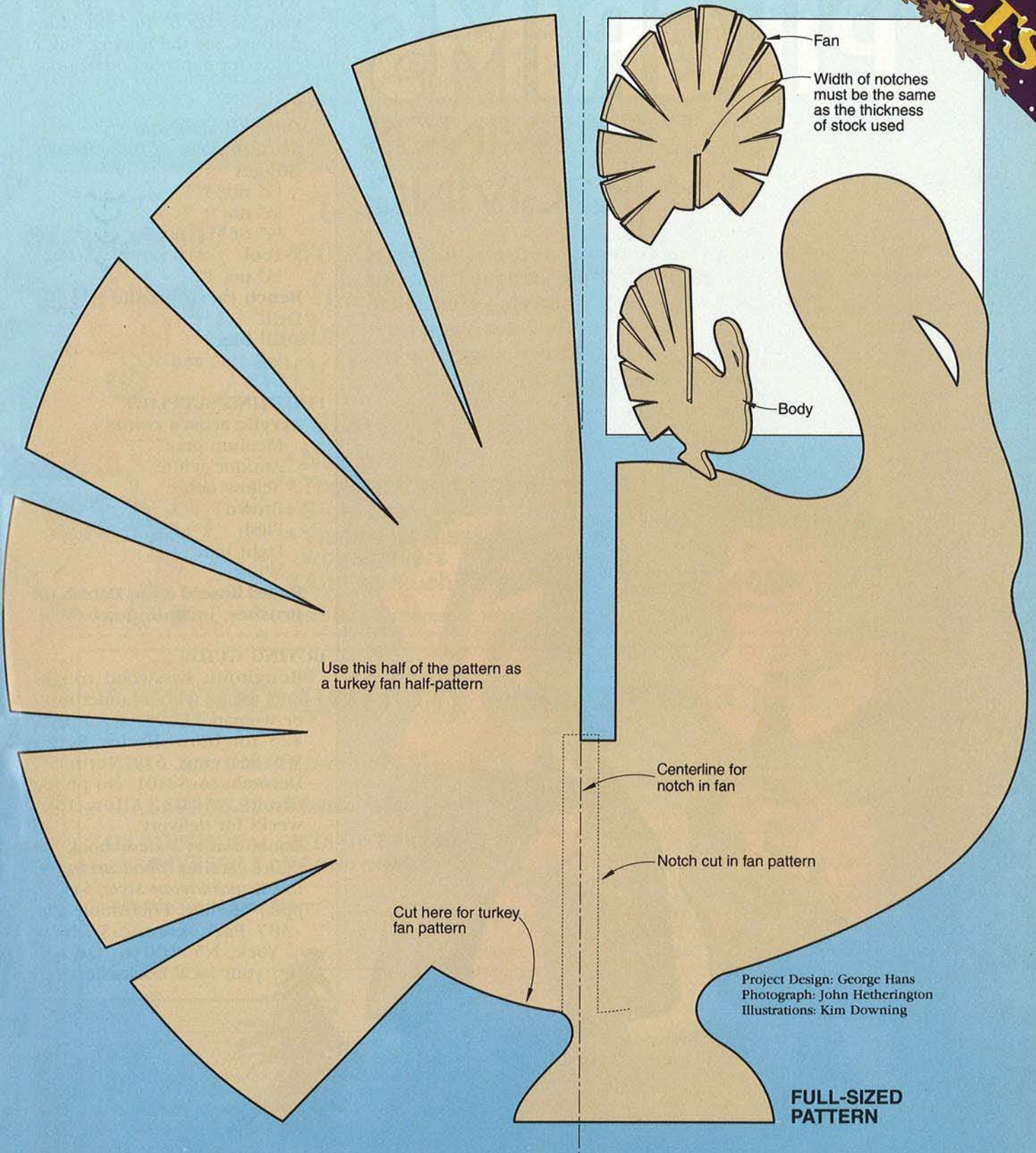
notch width needs to be the same as the thickness of the stock you're using. (Since we used $\frac{1}{4}$ " material for our project, we show $\frac{1}{4}$ " notches on our full-sized patterns; adjust if necessary.)

4 Fill any voids along the edges with wood putty. Sand the faces and edges of both pieces with 150- and then 220-grit sandpaper. Apply a clear finish.

Buying Guide

• **Void-free $\frac{1}{4}$ " birch plywood.** $\frac{1}{4} \times 9 \times 9$ ", stock no. W1192T, \$7.95 ppd. for two pieces (enough for one turkey), four pieces (two turkeys) for \$14.95 ppd., or ten pieces (five turkeys) for \$39.95 ppd. Heritage Building Specialties, 205 North Cascade, Fergus Falls, MN 56537. Call 800/524-4184 to order. ♣

TOM



Use this half of the pattern as a turkey fan half-pattern

Cut here for turkey fan pattern

Fan

Width of notches must be the same as the thickness of stock used

Body

Centerline for notch in fan

Notch cut in fan pattern

Project Design: George Hans
Photograph: John Hetherington
Illustrations: Kim Downing

FULL-SIZED PATTERN

GRATEFUL PILGRIMS

TWO FUN CARVINGS FOR THANKSGIVING

Grace your Thanksgiving table this year and for years to come with this Pilgrim couple designed just for **WOOD®** magazine readers by our carving consultant, Harley Refsal. Harley's strong, simple, flat-plane carving style suits these rugged new-world settlers perfectly.

 Print this article



TOOLS AND SUPPLIES

STOCK

Basswood or other carving wood, $3 \times 3 \times 6\frac{1}{2}$ " for the woman, $3 \times 3 \times 7\frac{1}{2}$ " for the man, $\frac{1}{2} \times 2 \times 5$ " for the blunderbuss. See the Buying Guide *below* for our roughout source.

TOOLS

Different sizes and styles may work in place of those listed.

Gouges

$\frac{1}{2}$ " no. 3

$\frac{1}{2}$ " no. 9

$\frac{1}{8}$ " or $\frac{3}{16}$ " no. 9

V-Tool

$\frac{1}{8}$ " no. 12

Bench carving knife

Drill

Drill bits

$\frac{1}{8}$ ", $\frac{3}{16}$ ", and $\frac{5}{16}$ "



FINISHING SUPPLIES

Acrylic artist's colors

Medium gray

Antique white

Yellow ochre

Brown

Flesh

Light blue

White

Boiled linseed oil or Danish oil

Brushes, including no. 0000

BUYING GUIDE

Roughout. Basswood roughout, man (with blunderbuss) or woman \$12.95 (U.S.) ppd., \$25 for both. Harley Refsal Woodcarving, 619 North St., Decorah, IA 52101. No phone orders, please. Allow four weeks for delivery.

Book. Harley's new book on figure carving, *Woodcarving in the Scandinavian Style*, \$15.45 ppd., Sterling Publishing Co., 387 Park Avenue S., New York, NY 10016. Or, see your local bookseller.



Trace the front and side patterns for the man onto adjacent sides of a carving block $3 \times 3 \times 7\frac{1}{2}$ " and the woman onto one $3 \times 3 \times 6\frac{1}{2}$ ". Trace the blunderbuss onto $\frac{1}{2} \times 2 \times 5$ " stock. (Patterns on pages 46-47.) Band-saw the blanks.

Before you start carving the man, draw his right arm and hand on the blank with a pencil. Then, refer to the Foot Position drawing, and draw the bottoms of his feet on the bottom of the blank.

Start at the bottom

Start carving his shoes, stockings, and breeches with your knife or a no. 3 gouge. Because bold, flat planes give this style of carving its character, don't smooth or round the surfaces.

As you carve the shoes, leave enough stock for the large buckles. Make the shoes about $\frac{3}{4}$ " thick at the toes. You want them to look too big; this is a caricature, and exaggerated features make it work.

Carve the lower legs, covered by tight-fitting stockings, to an oval cross-section. Note, too, the curve of the back of his calves—*don't* carve the legs as cylinders.

Carve a distinct separation where the Pilgrim's baggy breeches puff out from the tops of his stockings. Then, cut an inverted V (about $\frac{1}{2}$ " wide at the bottom) for the crotch. Add some wrinkles and define the seat of his breeches as you surface the lower body to remove saw marks.

Rough out the right hand and arm, leaving the hand about 1"

wide. Cut away wood to define the left arm. Then, remove excess material from the front of the Pilgrim's body, leaving enough to make the bottom edge of his blouse, the belt, and buckle.

Drill a hole for the gun

Now, drill a hole through the right hand for the blunderbuss. Eyeball an angle to set the gun-stock next to the Pilgrim's right foot, and then drill a $\frac{1}{8}$ " pilot hole. Enlarge the hole to $\frac{3}{16}$ " and then $\frac{5}{16}$ ", drilling carefully to avoid tearing out the soft wood.

After drilling, shape the hand. Carve the general planes first, leaving the hand disproportionately large. Establish a mitten shape with the thumb on the top side nearest the body. Then, with a V-tool or knife, carve grooves to separate the fingers.

Now, round the brim of the pilgrim's hat with your knife. Pay attention to the changing grain direction so you won't chip out the thin brim.

Round the back corners of the Pilgrim's head. Then, surface the underside of the hat brim with a shallow (no. 3) gouge or knife.

Give the Pilgrim a face

Pencil in a vertical hairline between the hat brim and collar on each side, about halfway between the front and back of the head. Narrow the head about $\frac{1}{8}$ " in front of each line, making the hair distinctly visible from head-on.

Cut away the front corners of the head, roughly forming a point centering on the tip of the nose.

Narrow the chin end to about $\frac{3}{8}$ ".

Pencil in a broad triangle below the nose for the smile lines and mouth. Make narrow V-cuts with your knife for the smile lines. A slightly curved V-cut about $\frac{3}{4}$ " long forms the mouth.

Round the nose, keeping it relatively large. With the no. 9 gouge, hollow out the eye locations. Round the cheeks, and make a small, horizontal V-cut at the outside corner of each eye.

Buckle down to some details

Texture the hair with the small V-tool. Then, round the hat crown (allow extra width at the base for the band and buckle), and slope the top surface of the brim down toward the edge, where it should be about $\frac{3}{16}$ " thick.

Now, draw pencil guidelines for the collar, belt, hatband, and buckles. Carve around the collar so it will be about $\frac{1}{8}$ " above the surface. The belt, hatband, and buckles should be $\frac{1}{16}$ " higher than the surface. Carve the blunderbuss and place it in the Pilgrim's hand according to the instructions with the pattern.

The Pilgrim's wife

Draw an oval on the bottom of the blank for the woman. Then, pencil in the basket on front.

Carve the skirt to the oval guideline with your knife or no. 3

Continued



GRATEFUL PILGRIMS

gouge. Rough in the basket, leaving adequate stock above it to carve the woman's hands. Her hands and the cloth cover extend about $\frac{1}{8}$ " past the basket front.

Model her cape with large planes. Make the edge about $\frac{3}{8}$ " thick where the cape hangs over the skirt, and bevel the back slightly. Flute the skirt randomly with a $\frac{1}{2}$ " no. 8 or 9 gouge.

Both hands hold the basket

The woman holds the basket handle with her left hand, and her right hand clasps the left. Model her hand positions with your own hands to visualize the way the fin-

gers of the right hand curve over the left wrist and hand.

Shape the basket, and then detail the woven front and sides with a small V-tool. Cut away the cape around her shoulders and back to allow the collar to stand about $\frac{3}{16}$ " above the cape.

Shape the woman's cap, separating the front band and the back of the cap. Bring the back and sides down to meet her collar. Show her hair pulled back on each side of her forehead.

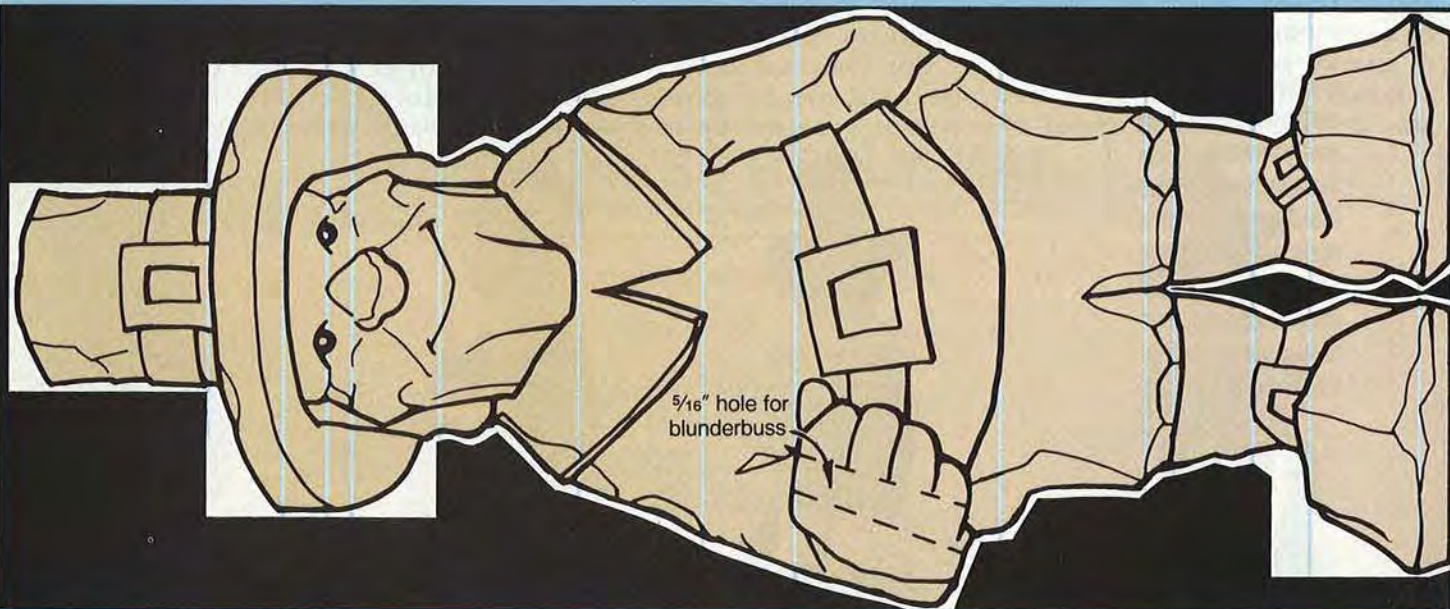
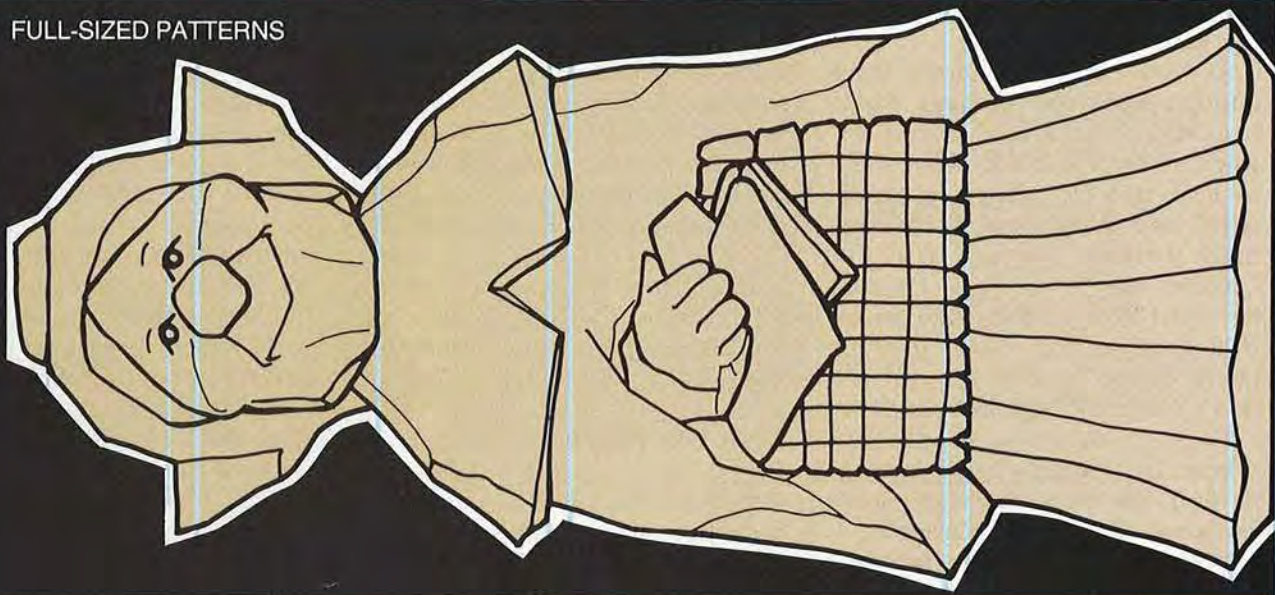
Carve the woman's face as you did the man's. Then, soften the angles and create smaller planes for a more feminine look.

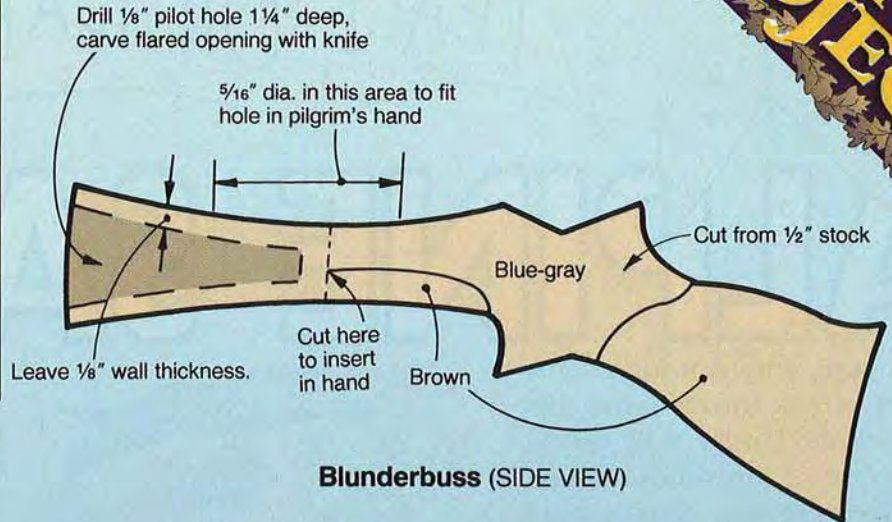
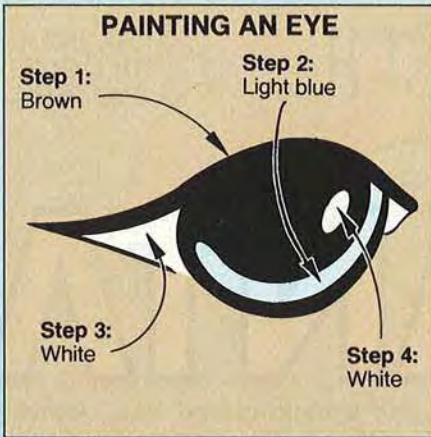
Painting the Pilgrims

Sand the Pilgrims lightly. Paint them with acrylic artist's colors thinned to a watery wash—the muted colors suit the Pilgrims well, and the wood grain shows through for an aged look. Refer to the eye illustration on the *opposite page* as you paint the faces.

Let the paint dry, and then carve your initials and the date into the bottom of each figure. Coat the figures with boiled linseed oil or Danish oil finish. To antique them, add a bit of walnut stain to the oil. (Test your mixture on scrapwood first to make sure it isn't too dark.) ♣

FULL-SIZED PATTERNS

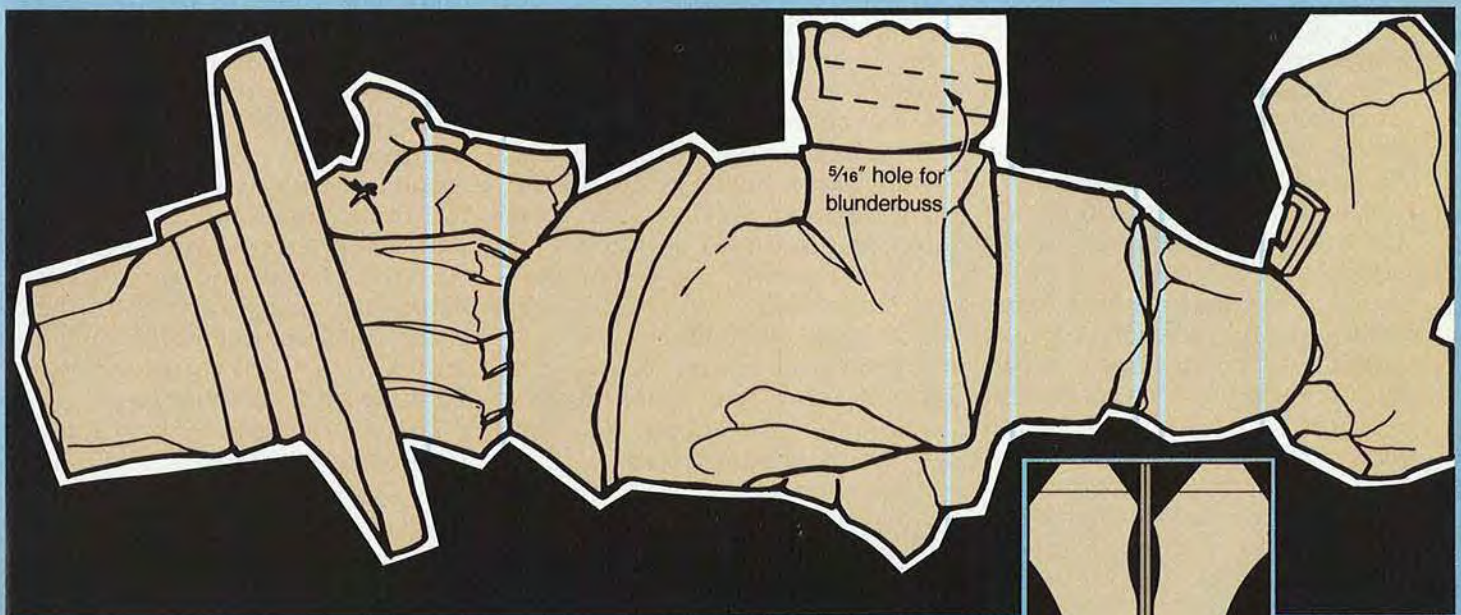
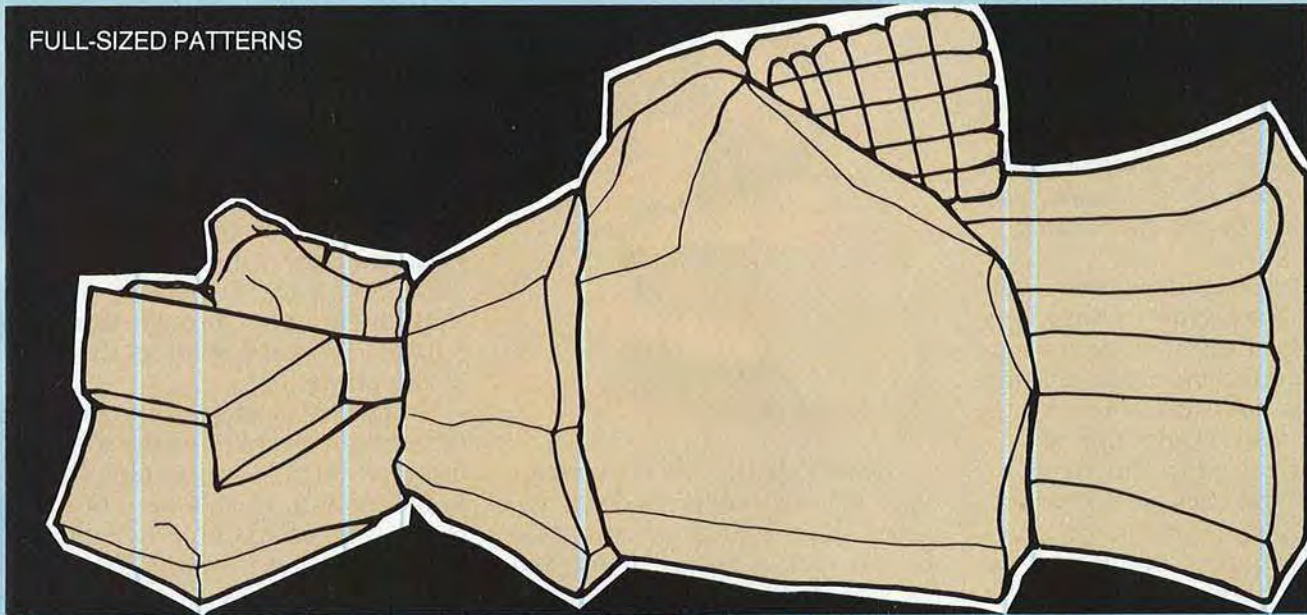




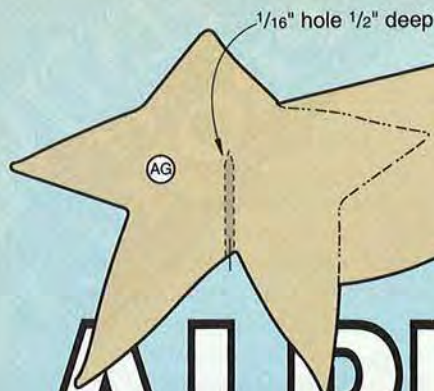
Blunderbuss (SIDE VIEW)

Written by Larry Johnston
 Project Design: Harley Refsal
 Illustrations: Mike Henry
 Photographs: John Hetherington

FULL-SIZED PATTERNS



FOOT POSITION



PEACE ON EARTH

BANNER
FULL-SIZED
PATTERN

ALPINE SANTA

This year, why not turn some wood scraps into a Santa that the whole family will enjoy. With bits of household twine, a fabric scrap, and a twig from your backyard, Santa's set for the slopes.

Note: You'll need an 8×15" piece of 3/4" pine for Santa's body, arms, back leg, and skis. Plane or resaw 3/4"-thick stock to 3/8" for the banner and 1/8" for the doll's arms.

Copy the full-sized patterns with tracing paper. Now, photocopy the pattern. Turn over the tracing-paper patterns, and make another photocopy of everything except the skis. Doing this allows you to copy the detail lines onto the back side of your project. Using carbon paper, transfer the outlines of the patterns to the wood. Cut out the pieces with a scrollsaw, using a #5 blade. Then, drill 1/16" and 1/4" holes where shown on the patterns.

Next, sand all pieces with a succession of 100- and 150-grit sandpapers. Using carbon paper, copy the detail lines onto the parts.

Paint Santa, his skis, and banner with a 1/4"-wide flat brush. Use the paint color key and the color codes on the patterns. For easier application, thin the acrylic paints with water (5 parts paint to 1 part water). Paint the front, back, and edges of each piece, leaving an unpainted area the size of a quarter where pieces will attach.

To make Santa's pipe, first cut a 1" length from a round toothpick. Then, cut a 1/2" piece of 1/4"-diameter



ter dowel. Drill a 3/32"-diameter hole, 1/8" deep in the side of the dowel. Dab a drop of epoxy on the cut end of the toothpick and insert it into the hole in the dowel. Paint the pipe black.

Dip the handle end of a small artist's brush in black paint and make a dot for each eye. Dot the doll's cheeks red. Dip the end of a toothpick into off-white paint, and make a highlight dot in the doll's eyes at the 1 o'clock position, and in Santa's eyes at the 10 o'clock position. Use a toothpick to paint Santa's eyebrows off-white and the doll's mouth red. Wipe a small amount of red on a cotton swab and blush Santa's cheeks and the tip of his nose. Letter the banner with a fine-tipped brush (we used a no. 4 round brush). To remove fuzz raised by acrylic paints, sand with a piece of a paper grocery bag.

For a hand-carved look, follow the "Key to Pattern Lines" on the pattern at right. You can use an X-acto knife or crafts knife in place of the V-parting tool.

Sand the cut edges down to bare wood with 150-grit sandpaper. Assemble the pieces with quick-setting epoxy. Wire the front arm to the body, twisting the ends in a loop with needle-nosed pliers to secure.

Place a dot of epoxy on one end of a 12" length of 16-gauge wire, and insert the end into the banner. After the epoxy sets, push the wire through Santa's hand. Twist the wire as shown in the photo, left.

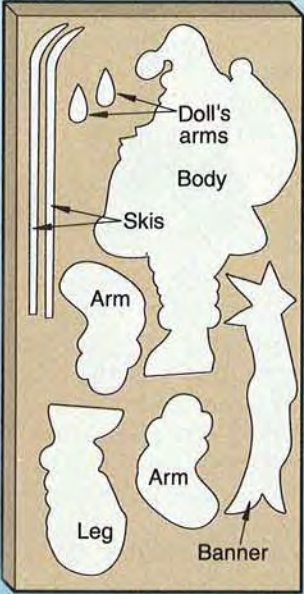
Using a small drop of epoxy, attach cotton "smoke" to the top of the pipe bowl, and the pipe into Santa's mouth. Place a drop of epoxy in the drilled hole in Santa's left hand. Insert the twig ski pole.

Attach the arms to the doll's body with 24-gauge wire. Place a drop of epoxy into each of the holes in the top of the doll's head. Insert 1 1/4" lengths of twine into the holes for hair. Allow the epoxy to set. Tie a fabric-scrap bow around one piece of twine. Spray the front, back, and edges with one coat of clear finish. (Sprayed on after assembly, the finish works like hairspray. It keeps the twine from unraveling too much, and keeps the cotton smoke standing up in the pipe.)

For a brochure of Pam's designs, send \$2.00 and a S.A.S.E. to Pam Coffman, 1805 Leavenworth Street, Omaha, NE 68102. 🍁

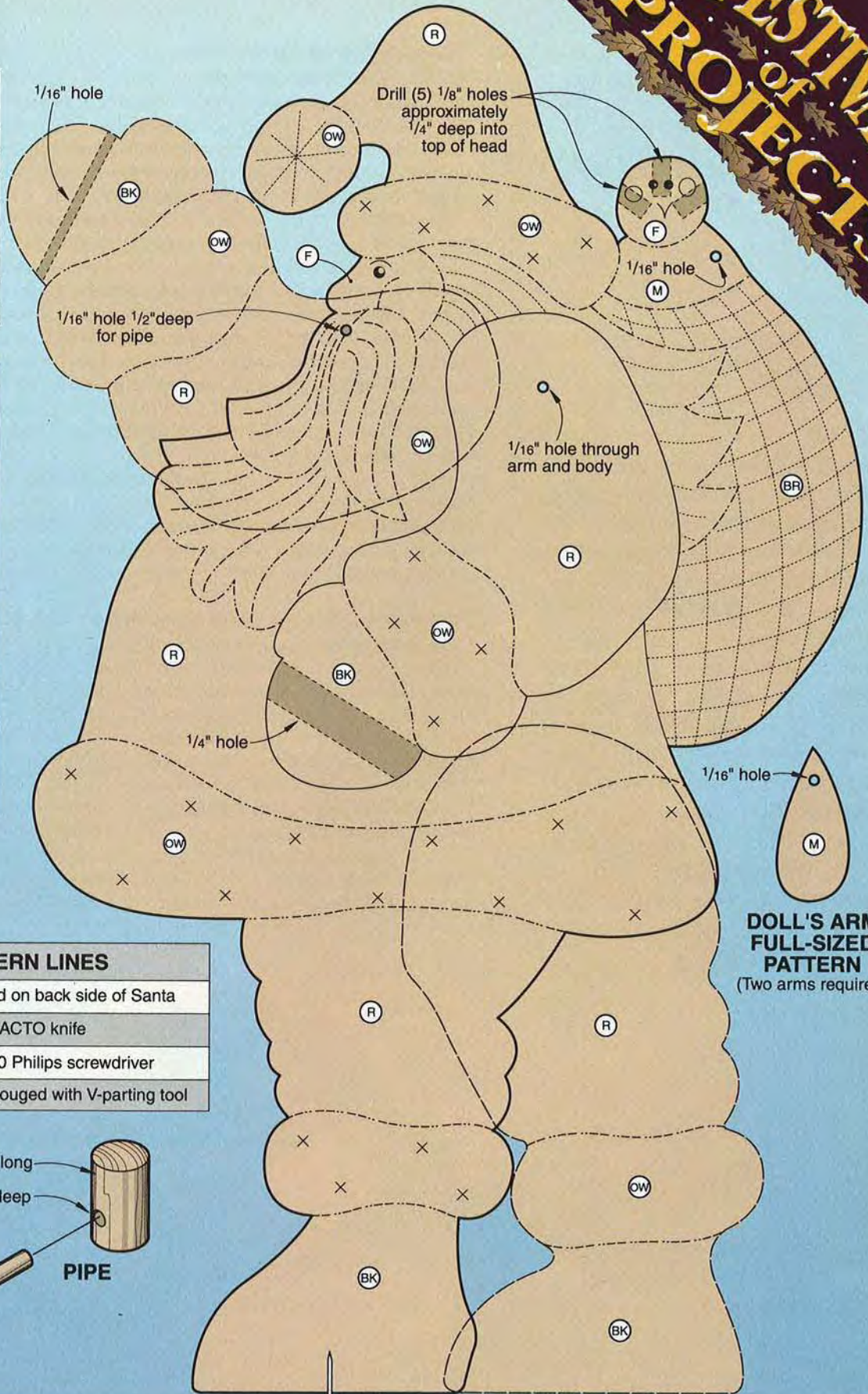
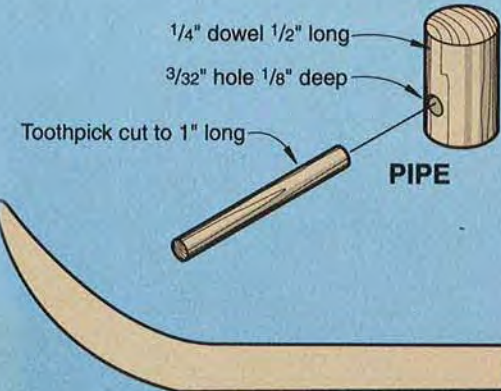
Design by Pam Coffman, Omaha, Neb.
Illustrations: Kim Downing

PAINT COLOR KEY	
AG	Antique Gold
BK	Black
BL	Blue
BR	Brown
F	Flesh Tone
M	Mustard
OW	Off-White
R	Red



CUTTING DIAGRAM
3/4 x 8 x 15" Pine

KEY TO PATTERN LINES	
	Workpieces mounted on back side of Santa
	Lines scored with X-ACTO knife
	Punch marks from #0 Philips screwdriver
	1/16"-deep grooves gouged with V-parting tool



DOLL'S ARM FULL-SIZED PATTERN
(Two arms required)

SKI PATTERN FULL-SIZED (2) required

Attach skis to feet with a #17 x 3/4" finish nail

15 TOP PERFORMING

WOODWORKING
PRODUCTS

THESE OFFERINGS PASSED
OUR USE TESTS
WITH FLYING COLORS

In the ever-more competitive tool market of today, manufacturers rely on new product introductions to protect or improve on their market share. For woodworkers, that means more new and improved woodworking products than you can shake a stick at—some great, some not so great. To help you discover the best, we turned over some 30 products to our hand-picked team of testers. Here's what they saw as the top 15 products in the bunch.

Carbide-tipped Forstners— finally, the price is right

Until recently, carbide-tipped Forstner bits had two drawbacks. They were expensive (\$20–\$50 each, depending on size), and they lacked a rim, making angled cuts impossible. Freud's new carbide-tipped bits offer help in both areas.

The smallest such bit ($\frac{1}{4}$ ") costs about \$11, and the largest ($2\frac{1}{8}$ ") sells for approximately \$40. That may sound like a lot of money, but I think they're well worth it. Freud's Jim Brewer told me the new carbide-tipped bits should outlast steel bits by 40 times. Even though you may never dull these bits, you can resharpen them if need be. And, because the bits have an outer scoring rim, you can cut angled holes with them.

I tested a 2"-diameter bit in pine, maple, and walnut. The bit ran cool and produced flat bottoms and smooth walls in all three species.

—Tested by Jim Boelling
Freud carbide-tipped Forstner bits, \$11–\$40 each depending on size. Available at Freud dealers nationwide. For more information, call Freud at 919/434-8300.

Variable burnisher puts new life in old scrapers

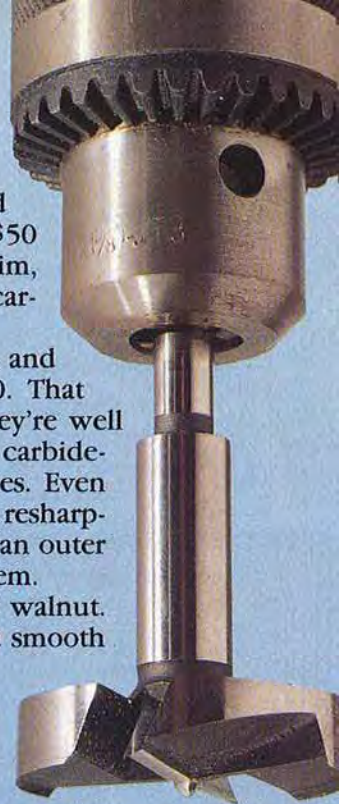
I've never had a lot of luck trying to burnish a consistent hook across the length of a hand scraper. So, like a lot of woodworkers, I filed my scraper edges square and made do with okay, but not terrific results. Then, I tried the Veritas Variable Burnisher and found myself in scraper heaven.

With this tool, you need only clamp your scraper in a vise, dial the desired hook angle between

0° and 15°, tighten a thumb screw, place the tool's narrow kerf over the scraper, and give a few strokes. A tungsten-carbide rod inside the tool burnishes the edge at a consistent angle.

I burnished one scraper at 5° for fine stock removal and baby-bottom-smooth surfaces. Another scraper with a 15° hook pulled up shavings like those produced by a hand plane.

—Tested by Bob McFarlin
Veritas Variable Burnisher with Scraper, \$34.95 plus postage from Garrett Wade, 161 Avenue of the Americas, New York, NY 10013. To order, call 800/221-2942 or 212/807-1155.



A family of lubricants that protects your tools

I recently had a chance to try Sandaro's sampler box of three aerosol lubricants, and found them effective and much more convenient than similar lubricants in pump bottles. First, I tried Sandaro Top Cote on my tablesaw and jointer tables. I had to rub the product in well, then apply a second coat for best results. One application lasted several weeks during which my tables did not rust (a problem in my garage workshop). Top Cote decreased the friction between the tables and my workpieces, and did not transfer to the wood.



Next, I applied Sandaro's Dri Cote to some saw blades and router bits. As promised on the product's container, the coating helped reduce resin buildup.

Finally, I applied some Sandaro Bearing Lubricant to the pilot bearings on all of my router bits. The manufacturer says this treatment will extend bearing life—a reasonable claim, but one I can't prove or disprove.

—Tested by Chuck Hedlund
Sandaro sampler box of two-ounce aerosol cans of Top Cote, Dri Cote, and Bearing Lubricant, \$9.95 at dealers nationwide. Separate cans in larger quantities also available. Write to Sandaro Industries, 68 Leveroni Court, Novato, CA 94949. Call 800/999-7009.

Craftsman sliding mitersaw offers performance and value

When I tested mitersaws for the February, 1992 issue of *WOOD* magazine, the Sears model 23488, 8¼" sliding-compound mitersaw was still in its developmental stage. My sources at Sears assured me the saw would sell for about \$400 (\$50 to \$100 less than similar saws I was testing) and that it would have all the features of its higher-priced competitors. After giving this saw a thorough workout, I'm happy to say that Sears has delivered on its promise.

The model 23488 looks and functions much like the Hitachi C8FB 8½" sliding-compound mitersaw. Both machines crosscut stock up to 12" wide and 2½" thick, miter-cut material up to 8⅝" wide, and bevel-cut stock up to 1¾" thick. The Sears machine has a cast-iron base and weighs 70 pounds—nearly twice as heavy as the aluminum-based Hitachi.

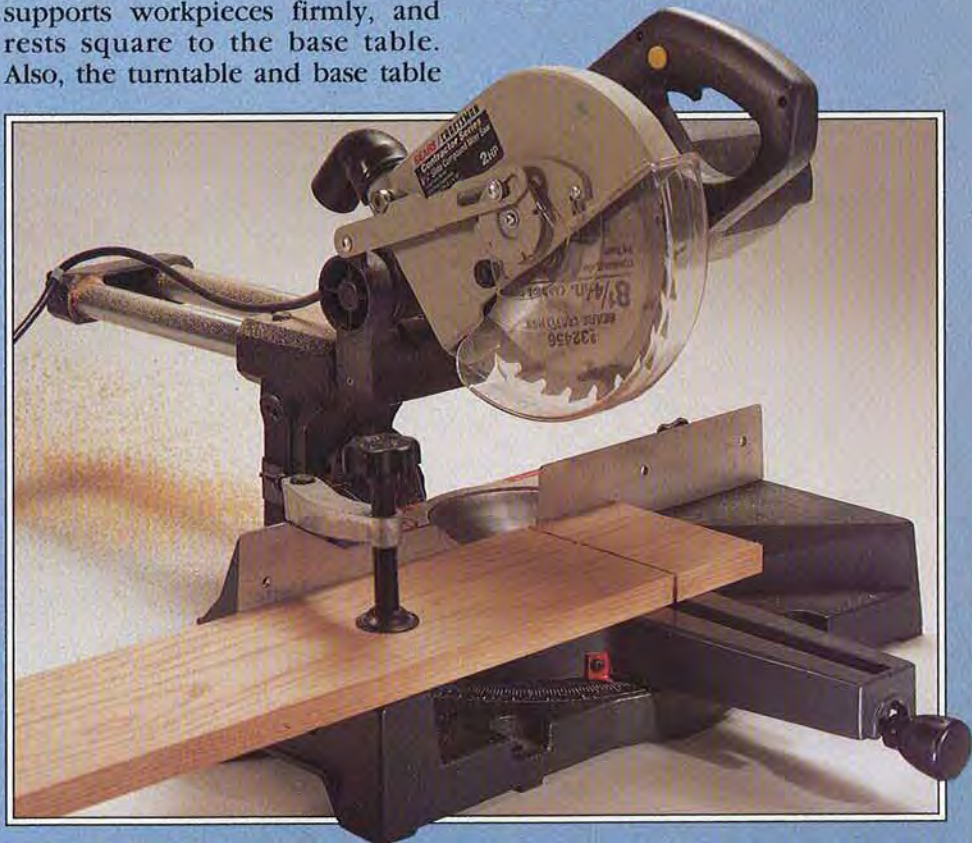
In terms of overall performance, the Sears saw has a slight edge on the Hitachi. Changing blades on the model 23488 was a snap, and its guard provides high levels of safety and convenience. The fence supports workpieces firmly, and rests square to the base table. Also, the turntable and base table

align well with each other for an overall flat surface. The degree-of-cut scales read clearly and proved accurate in my test cuts.

My chief concern about this saw stems from the low-quality 8¼" carbide-tipped blade that comes standard. It proved suitable for rough cuts only. To get the machine to perform up to its capabilities, you'll have to install a better blade. I had good results after purchasing a Sears 8¼" Control Cut 40-tooth blade, model no. 29241 (about \$25).

Because of its weight, this saw will suit you fine if you leave it in one place. If you need to move your sliding-compound saw often, look for another machine. Because of the saw's excellent dust-collection capabilities (nearly all of the dust shoots through the dust port), I wish my machine had come with a dust bag. You can pick up this optional item for about \$6.50.

—Tested by George Granseth
Sears model 23488 sliding-compound mitersaw, about \$400 at Sears stores nationwide.

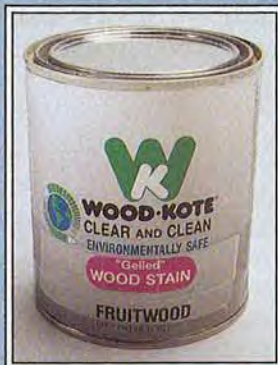


Gelled water-based stain doesn't fuzz

I've tried my share of water-based stains, and many of them share the same problem: they fuzz the surface of the wood, making it difficult to sand subsequent clear coats without revealing unstained wood. Now, I've found a product that works.

My sample of Wood-Kote Clear and Clean Environmentally Safe Gelled Wood Stain in a fruitwood shade required no mixing (a nice start). I rubbed it in generously, and then wiped it off with little effort, leaving a uniformly covered surface. Fuzzing was within acceptable levels. The lack of odor and quick cleanup made it a joy to use.

—Tested by Chuck Hedlund
Wood-Kote Clear and Clean Environmentally Safe Gelled Wood Stain, available in 10 colors in half pints and quarts, ranging in price from \$4.99 to \$10.50. For the location of your nearest dealer, write to Wood-Kote, P.O. Box 17192, Portland, OR 97217. Call 800/843-7666 or 503/285-8371.



How do you improve a great clamp? Make it smaller!

I've been a big fan of Quick-Grip Bar Clamps ever since they came on the market a couple of years ago. Because you operate these clamps with just one hand, your other hand is free to hold the workpieces in alignment—a huge advantage over standard bar clamps.

Now, the manufacturer, American Tool Companies, has done itself one better with the introduction of the Quick-Grip Mini Bar Clamp.

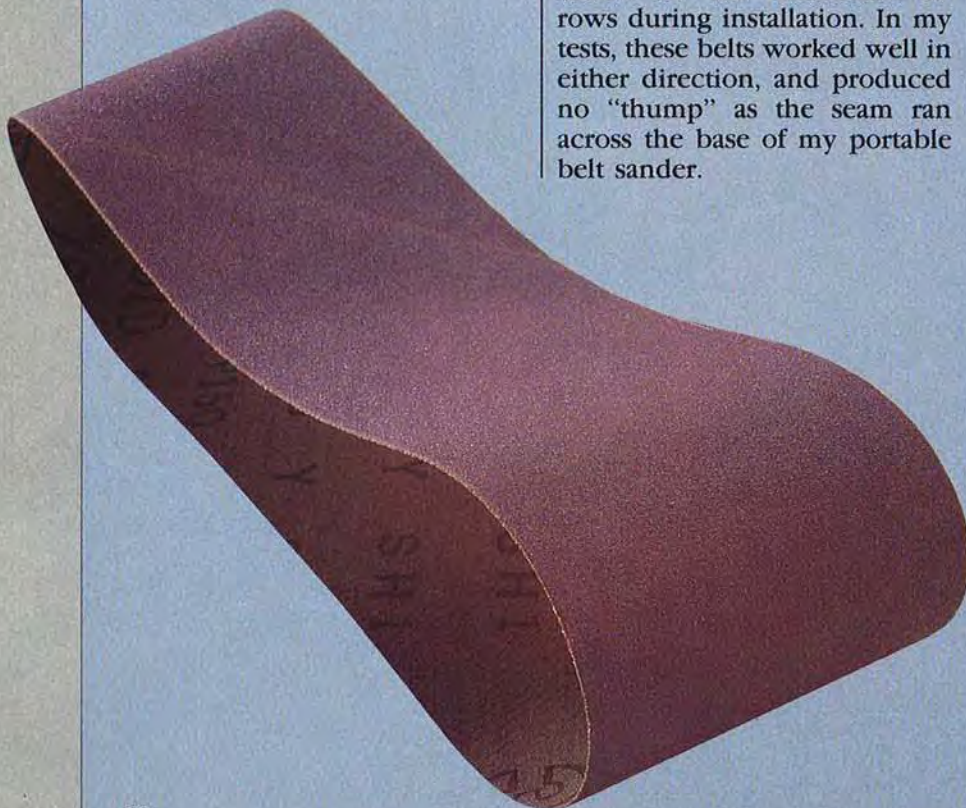
Purple sanding belts leave others in the dust

Porter-Cable's new Purple Sanding Belts have several things going for them, besides their colorful looks. First of all, a long-angle butt splice holds the belt ends securely together, making the belt reversible. Now you no longer have to search for the directional arrows during installation. In my tests, these belts worked well in either direction, and produced no "thump" as the seam ran across the base of my portable belt sander.

And, I discovered one more bonus during operation and installation. Compared to others, these Purple Sanding Belts track better, requiring no tracking adjustment between changes. This saves you time if you change belts frequently.

Porter-Cable says the belts have a special mineral—called P-graded Regalite—that provides higher stock removal rates with less heat and loading, and more uniform sanding. This may be true, but I didn't notice drastic differences in these areas between the Purple Sanding Belts and other brands. All in all, I rate these the best sanding belts available.

—Tested by Chuck Hedlund
Porter-Cable Purple Sanding Belts, made by 3M and distributed through Porter-Cable dealers nationwide. Available in 3×21", 3×24", and 4×24" sizes in 50-, 60-, 80-, 100-, 120-, and 150-grit. List prices range from \$2.65 to \$5.90 for five-packs. For more information, write to Porter-Cable, 4825 Highway 45 North, P.O. Box 2468, Jackson, TN 38302. Call 901/668-8600.



This new model (shown in the foreground of the photo *below*) works just like the older version (in background), and has a 6" jaw opening. Its scaled-down profile allows easy access to confined areas, and at only 12½ ounces—it weighs less than half as much as the standard Quick-Grip clamp. It has nearly the clamping strength of its big brother, and the jaws release easily. You'll love this clamp for work on small or delicate workpieces.

—Tested by Chuck Hedlund

Quick-Grip Mini Bar Clamp, about \$13 each through woodworking catalogs or at hardware stores and home centers nationwide. For more information, call American Tool Companies at 402/683-2315.



Carba-Tec miniature lathe: small in size, big in fun

Whether you're an experienced woodturner, or someone looking for a safe, simple, and affordable way to get started, you should check out the Carba-Tec miniature lathe from Woodcraft Supply. I recently gave this little dynamo a workout, and had a lot of fun in the process.

The lathe was a snap to set up, and in no time I turned a few 2-3"-tall weed pots and some similarly scaled bowls and other vessels. I found most of my conventional turning tools too big and awkward, so I switched to a set of Robert Sorby micro turning tools (also available from Woodcraft for about \$70).

Because of the machine's minimal noise, low vibration, and scanty dust output, I found it perfect for practicing my cutting techniques. Its friendly manners

and petite size make it ideal for teaching turning to youngsters.

The 22"-long lathe weighs only 28 pounds (without motor), so you can easily store or transport it. The machine measures 12½" between centers, has a 6" swing over the bed, and an 8½" swing over the gap in the bed. ("Swing" refers to the maximum diameter

of a turned workpiece.) It comes standard with a 4-prong spur drive, dead center, 3/8" tool rest, 2" faceplate, belt, and instruction manual. You can buy additional accessories, including a ball-bearing tailstock, 3/8" drill chuck, and 3- and 4-jaw chucks. You'll need to supply your own motor or purchase a ¼-hp, 1725-rpm model from Woodcraft for \$90.

—Tested by Marlen Kemmet

Carba-Tec Miniature Lathe, \$249 plus shipping from Woodcraft Supply, 210 Wood County Industrial Park, Parkersburg, WV 26102-1686. Call 800/225-1153.

Continued



A drilling/driving combo for your power drills

When a project requires a lot of screws, you need accessories on hand to quickly switch your drill from countersinking to screwdriving. For my money, the Drill-N-Drive system works faster than any other method I've tried for these tasks, short of having two drills at my side (a nice luxury if you can afford it).

You can purchase two types of Drill-N-Drive attachments. The counterboring models work with either no. 6 or no. 8 screws. For drilling centered holes when mounting hinges, three Vix-bit models handle screws in one of these size groups: # 2, 3, and 4 screws; # 5 and 6 screws; or # 8, 9, and 10 screws.

Both types work in the same way. First, you chuck the driving bit into your drill (the bit has ends for Phillips or square-

drive screws). Then, you slip the prongs of the Drill-N-Drive accessory into the gaps between the jaws of the drill's chuck. After drilling the hole, you slip the accessory off, drive the screw, slip the accessory back on, and repeat the process for the next screw.

Initially, I thought the Drill-N-Drive assembly might slip, but the prongs grip it solidly within the chuck. Whichever model you buy, it should last a long time, thanks to its sturdy construction.

—*Tested by Bob McFarlin*
Drill-N-Drive Counterbores and Vix bits, \$13.95 each plus \$4.50 handling from The Woodworkers' Store, 21801 Industrial Boulevard, Rogers, MN 55374-9514. Five different versions available. Call 612/428-2199.

This tool puts your small projects in great shape

Here's a tool that bears serious consideration by any hobbyist involved in shaping, cutting, sanding, and filing small parts for toys, models, carvings, or most any crafts project. It's the reciprocating and rechargeable Electro-File by MHT Products.

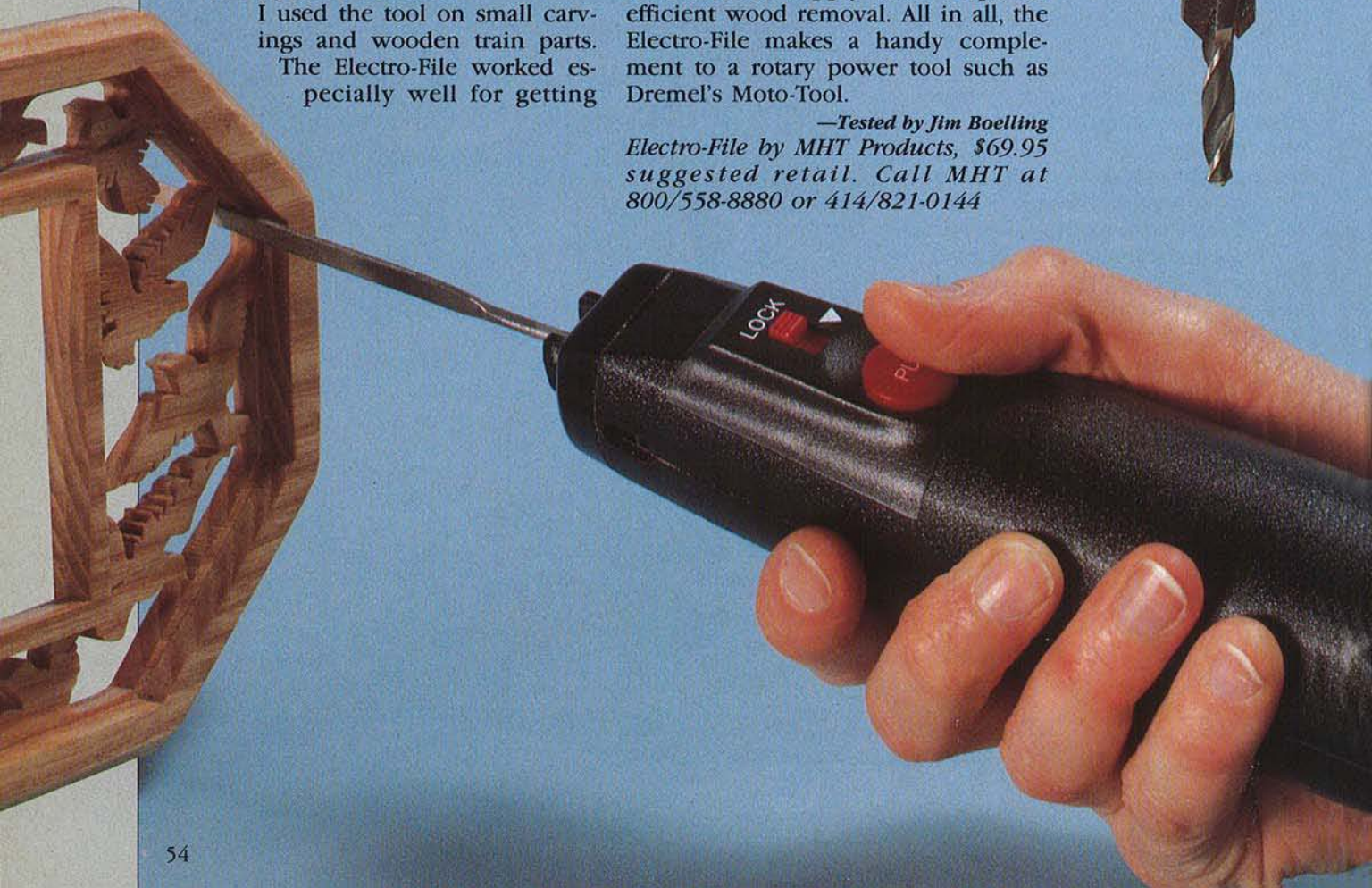
I used the tool on small carvings and wooden train parts.

The Electro-File worked especially well for getting

into tight spots, giving me good control over stock removal.

In addition to the four saw blades, four sanding paddles, and four files (these seem best suited to metal working), I would like to see the manufacturer supply some rasps for efficient wood removal. All in all, the Electro-File makes a handy complement to a rotary power tool such as Dremel's Moto-Tool.

—*Tested by Jim Boelling*
Electro-File by MHT Products, \$69.95 suggested retail. Call MHT at 800/558-8880 or 414/821-0144



Oscillating spindle sander has advantages galore

During my years as a foreman in a furniture factory, my crew and I depended on oscillating-spindle sanders for smoothing irregularly shaped, bandsawed edges. These machines move the rapidly rotating spindle up and down in a stroke that takes a second or two to complete. This vertical movement greatly reduces overheating and debris buildup on the abrasive surface of the sanding drum.

Unlike a drill press, oscillating spindle sanders are built to stand up to sideways pressure on the spindle. And, their spindles won't deflect sideways from that pressure the way that a drum sander mounted in a drill press will. The end result: much quicker sanding and truer edges.

Until recently, these specialized sanders were priced out of the range of most woodworkers. Now, you can purchase a no-nonsense oscillating spindle sander from Clayton Machine Corporation for \$625 (no relation to Larry Clayton, *WOOD* magazine's editor). I've used the Clayton Model 140 for several months in the *WOOD* magazine shop, and here's what I discovered.

Despite its price, this machine operates on a par with the industrial-sized units I was used to. It creates little noise or vibration, making it a pleasure to use. Neither its table or arbor tilts, so it doesn't sand at an angle, but 99 percent of the projects I build for *WOOD* do



not require this feature. The machine's construction is first-rate, and the spindle and table were aligned at the factory to be 90° to each other. Even when I sanded a 3"-thick chunk of walnut, I noticed no deflection in the spindle.

The Model 140 comes with a 1/2" spindle and three 4 1/2"-long drums in 3/4", 2", and 3" diameters. The spindle holds a 1/2" sanding sleeve, and the three drums change easily with a wrench. A spindle speed of 1,750 rpm, combined with a vertical stroke of 3/4", make for fast and cool sanding no matter what drum diameter or wood species I tried.

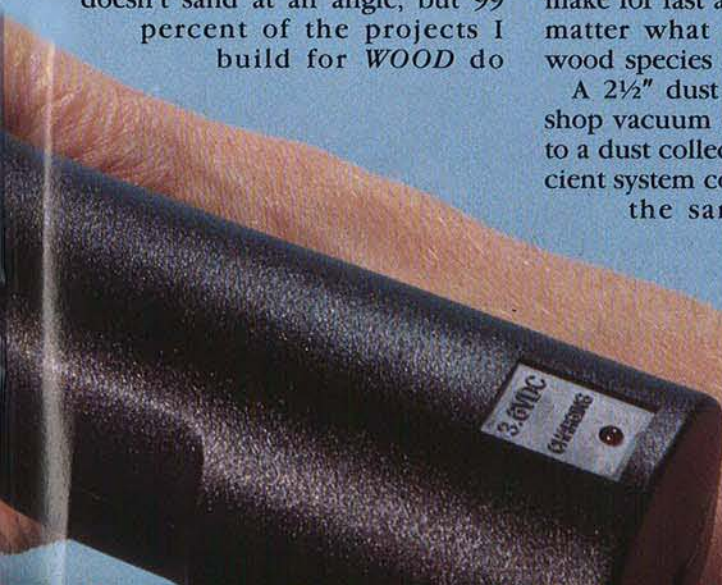
A 2 1/2" dust port connects to a shop vacuum or, with an adapter, to a dust collector. The highly efficient system collects 95 percent of the sanding dust, even

when I dial my variable-speed shop vacuum to its lowest (and quietest) setting. Some of this efficiency results from using the machine's two table inserts, which provide a tight opening and full support around the smaller sanding sleeves. The inserts sit perfectly flush with the machine's flat, smooth, cast-iron tabletop.

The Model 140 weighs 80 pounds and also comes with a sturdy drum rack and 16 sanding sleeves in various sizes and grits. Clayton Machinery sells replacement sleeves as well as pneumatic drums for use with the machine. If you're looking for bigger machines that sand at angles, Clayton sells those, too.

—Tested by Jim Boelling
Clayton Model 140 Benchtop Oscillating Spindle Sander, \$625 from dealers nationwide or directly from Clayton Machinery Corp., P.O. Box 513, Clawson, MI 48017. Call 313/548-2380.

Continued



Pocketknife/precision rule makes a great stocking stuffer

Due to its slim design and 6" fold-out rule, nearly any woodworker will welcome this quality tool. When you fold up the rule, the product measures only $\frac{3}{16} \times \frac{9}{16} \times 3\frac{3}{8}$ ", so it fits comfortably in a pocket. Yet, it's easy to find amidst keys and change.

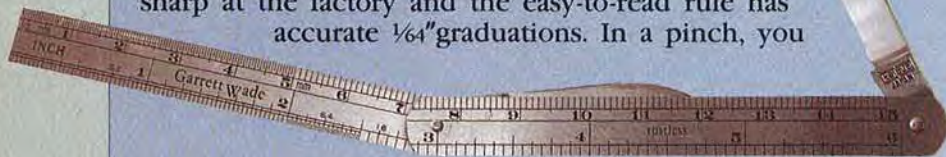
Made entirely of polished stainless steel, the tool will never rust. Its blades are honed razor sharp at the factory and the easy-to-read rule has accurate $\frac{1}{64}$ " graduations. In a pinch, you

can even use the rule to transfer angles.

You can buy cheaper pocketknives, but I haven't seen any of higher quality construction and materials than this product.

—Tested by Bob McFarlin

Combination Pocketknife and Precision Rule, no. 02N01.01, \$28.95 plus postage from Garrett Wade, 161 Avenue of the Americas, New York, NY 10013. Call 800/221-2942.



New Delta machine cuts mortising jobs down to size

Like a lot of you, I've gotten used to cutting square-walled mortises the old-fashioned way. First, I drill a series of holes the length of the mortise, and then I square the walls with a chisel. If I have a lot of mortises to cut, I hook up my drill press' mortising attachment. Because both methods take considerable time and effort, my ears perked up when I heard about Delta's new hollow-chisel mortiser priced under \$500.

In my tests, the machine worked well in all of the woods I use regularly, including oak, ash, cherry, walnut, and pine. I was able to set it up for accurate cuts in a fraction of the time required to set up my drill-press mortiser, and the Delta machine seemed to slice through the wood faster and with less effort. Because its raising-and-lowering handle extends twice as long as my drill-press handle, the Delta unit gives me additional leverage during the cutting stroke.

I also attribute some of the machine's cutting ease to its relatively fast, fixed speed of 3,400 rpm. Since the instructions with the $\frac{3}{8}$ " Delta chisel-and-bit set that I used with the machine suggest speeds of 2,400 rpm for softwoods and

1,250 rpm for hardwoods, I was afraid I might burn the cutting edges. But, no matter how fast I fed stock into the mortiser, burning wasn't a problem. (The machine does not come with bits or chisels; Delta sells chisel-and-bit sets in $\frac{1}{4}$ ", $\frac{5}{16}$ ", $\frac{3}{8}$ ", and $\frac{1}{2}$ " sizes, costing \$29.55 to \$39.20 list.)

Although the machine is thoughtfully designed for convenient and long-term use, I made one small modification to it. I kept misplacing the machine's three-jaw chuck key and adjustment wrench, so I drilled two small holes in the plastic cap at the top of the support column for holding these pieces. When I called Steve Holley of Delta, he said that Delta was already in the process of making this modification to the column cap.

Regarding capacity, the machine holds stock up to 4" high under its hold-down, has a $4\frac{1}{4}$ " stroke, a dovetail-way slide mechanism, and an ample $\frac{1}{2}$ -hp, totally enclosed, fan-cooled motor. It weighs only 44 pounds and stands $31\frac{1}{2}$ " tall, so it stores easily.

Because of its price, I put this machine in the "luxury" category for most woodworkers. But, if you cut a lot of mortises,

you will quickly appreciate its talents. The machine is made for Delta in England by Multico. In Canada, it's distributed by General Manufacturing.

—Tested by Chuck Hedlund



Delta model 14-600 hollow-chisel mortiser, less than \$500 from Delta distributors nationwide. For more information, call Delta at 800/438-2486 or 412/963-2400.



This raised-panel-door set for shapers does it all

Attention shaper owners: Would you like to have an all-around selection of raised-panel-door styles at your disposal, without busting your budget? Here's your chance. Freud's new Performance System consists of a rail-and-stile head with interchangeable cutters in nine profiles, and a raised-panel head with interchangeable cutters in five profiles. With these sets, you can create more than 60 door styles for wood or glass panels.

I've seen the rail-and-stile set on sale for less than \$500, and the raised-panel set for \$270. At these prices, the Performance System can save you a lot of money compared to buying separate, conventional cutters. Also, if you chip or shatter a knife, you're only out the cost of one set of replacement knives (about \$38).

Water-based enamel paint combines the best of two worlds

Carver Tripp's new Super Poly Enamels give you the kind of tough, high-gloss finish you expect from a traditional polyurethane oil enamel paint, but in a water-based formula. That means the environmentally friendly paint produces little odor, dries quickly, and cleans up easily.

In my tests, the product mixed well and went on smoothly with a foam brush. I tried Regatta Red,



which covered in one coat, but I would recommend two applications for best results. It dried in 30 minutes—fast for an enamel. Cleanup with soap and water was easy.

You can buy this paint in any of 10 colors in half-pint or quart containers. Two tint bases—gloss and satin in quart cans—allow you to mix virtually any pastel color using standard tints. Because of the

Other manufacturers have offered interchangeable-knife systems for some time, and most of them suffer from the same problem: the head holds two knives that must align perfectly, but they rarely do. The result: one knife does all the cutting. With Freud's knife-alignment system, the manufacturer seems to have this problem solved.

In my tests, the rail-and-stile head produced clean, splinter-free cuts. To change from the stick cut (on the inside edges of the rails and stiles) to the cope cut (on the ends of the rails), I merely had to change the height of the cutter-head. The precision-machined head should last a lifetime or two.

However, I didn't find the raised-panel set as impressive. The alignment tolerances of the knives did not seem to be as tight as with the rail-and-stile set. Also, I prefer a coving cutter for the back-relief cut over the square groover on the Performance System raised-panel set.

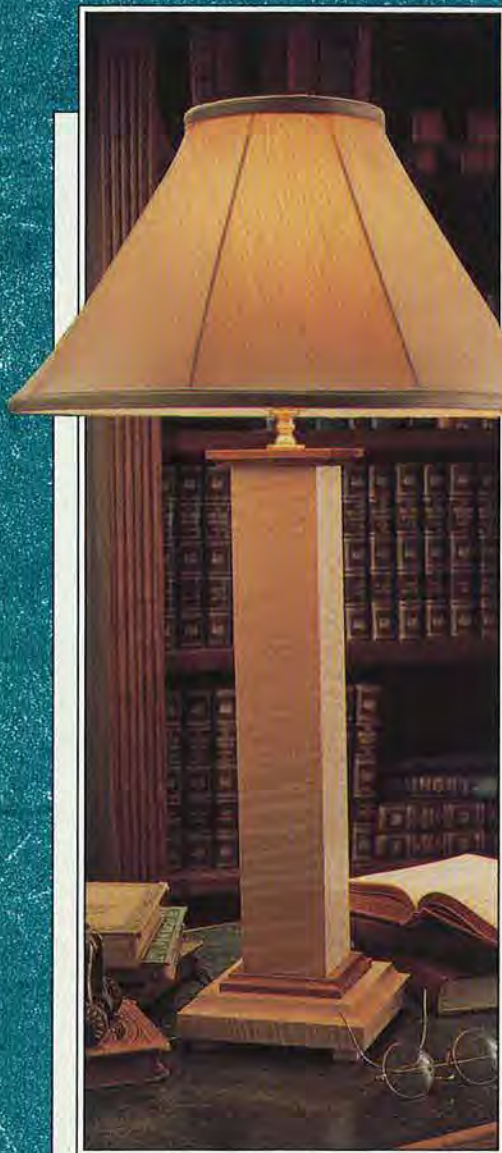
—Tested by George Granseth
Freud Performance System, \$744 list for the rail-and-stile head with nine profiles (head alone lists for \$420 and separate profiles available for \$38.40 each); \$396 list for the raised-panel head with five profiles (head available separately for \$180 and two-knife profiles sell for \$40.80 each). For more information, call 919/434-8300.

product's nontoxicity, the manufacturer strongly recommends this product for use on furniture and children's toys. Before using this paint on bare steel or iron, you must prime the metal with a rust-inhibiting primer.

—Tested by Chuck Hedlund
Carver Tripp Super Poly Enamel paints, \$9.99 list price for quarts and \$4.99 for half-pints, from dealers nationwide. For more information, call 800/225-8543 or 508/679-5938. ♣

AFFORDABLE

A GREAT-LOOKING TABLE



If you've been into a lighting store recently, you know that a good-quality table lamp can set you back hundreds of dollars. There is a better way though. Build your own. We built ours in less than three hours. For your convenience, we've included a Buying Guide source for the electrical hardware.



Let's start with the mitered column

1 Tilt your tablesaw blade for a 45° bevel cut. Test-cut scrap stock to verify an accurate 45° setting.

2 Start with two pieces of figured stock (we used curly maple) measuring 3×34". Bevel-rip one edge of each piece.

3 Position the rip fence, and bevel-rip the opposite edge of each piece for a 2¾" finished width.

4 Crosscut four 16½"-long pieces (A) from the two pieces of stock. Dry-clamp the four pieces and check for tight miter joints. Trim if necessary.

5 With the ends flush, glue the column pieces (A) together. (We used masking tape to hold the pieces in position, freeing our hands to position and tighten the band clamps.)

6 Scrape off the glue squeeze-out, and sand the column, being careful not to round the corners.

Now, add the trim, base, and feet

1 Cut the walnut top and bottom trim pieces (B) to size. Rout a ¼" cove along all four edges of one face of each piece. Sand the pieces smooth.

2 Using the dimensions on the Exploded View drawing, mark the centerpoints, and then drill a ⅜" hole centered on each mark.

3 Glue and clamp both trim pieces, carefully centering them on each end of the column. After the glue dries, remove the clamps. Drill mounting holes in the bottom piece (B), and reinforce the glue joint with wood screws.

4 To form the 1¼"-thick base, laminate one piece of 7"-square ¾"-thick stock to the same sized piece of ½"-thick stock. (We planed ¾" stock to ½" thick for the thinner piece.)

5 Cut the base (C) to size from the lamination. Rout a ½" cove ⅞" deep (to avoid routing through the joint line) along all four edges. Sand the part smooth. (To sand the ½" cove, we wrapped sandpaper around a piece of 1" dowel stock.)

6 Bore a 1½" hole ¾" deep centered on the bottom side of the base (C).

7 Glue and clamp the base piece, centering it on the bottom end of the column.

8 Cut the four feet (D) to size and glue them to the bottom of the lamp base.

9 Finish-sand the lamp, and apply a clear satin finish.

10 Install the electricals where shown on the Lamp Parts Assembly drawing.

Buying Guide

• **Lamp hardware kit.** All the electrical parts shown on the drawing. (Shade not included). Kit no. 3199, \$10.99 plus \$3.95 shipping per order. Meisel Hardware Specialties, P.O. Box 70W, Mound, MN 55364-0070. Call 800/441-9870 to order. 🌲

Bill of Materials

Part	Finished Size			Mant.	Qty.
	T	W	L		
A* column pieces	¾"	2¾"	16½"	M	4
B top & bottom	½"	4"	4"	W	2
C* base	1¼"	6"	6"	LM	1
D feet	⅜"	¾"	¾"	M	4

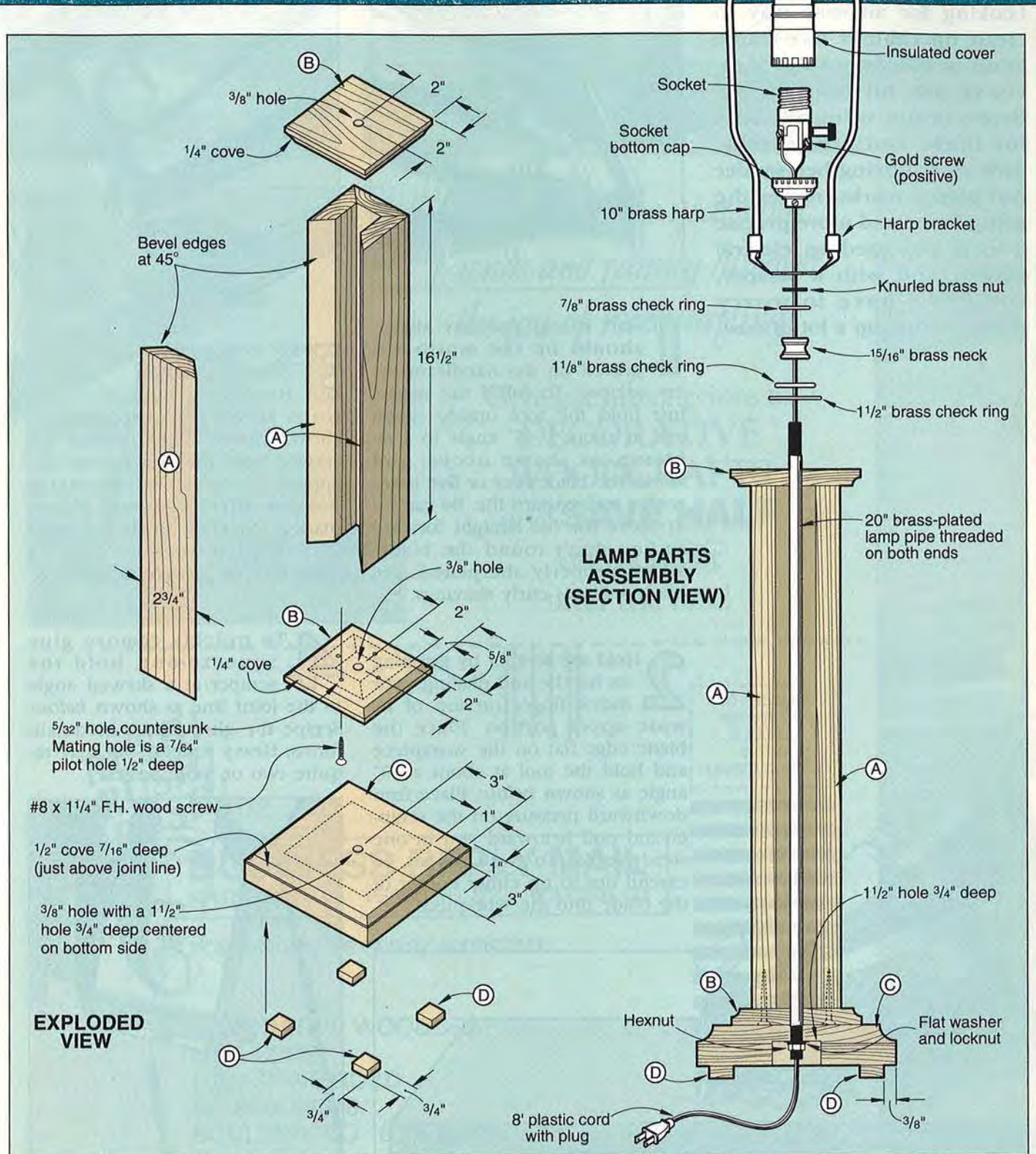
*Initially cut the parts marked with an * oversized. Then, trim them to finished size according to the how-to instructions.

Material Key: M-maple, W-walnut, LM-laminated maple

Supplies: #8×1¼" F.H. wood screws, finish.

ELEGANCE

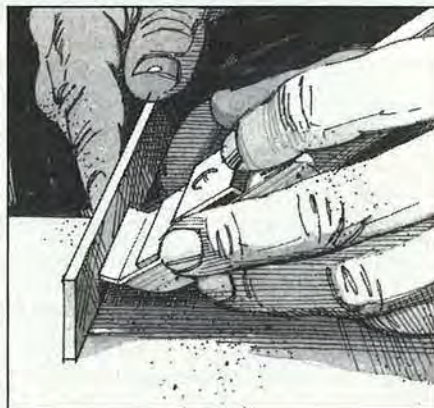
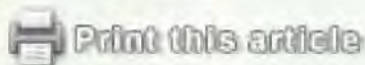
LAMP FOR UNDER \$50



Produced by Marlen Kemmet Project Design: Tim Connors, Mt. Horeb, Wis. Photographs: Hopkins Associates Illustrations: Kim Downing

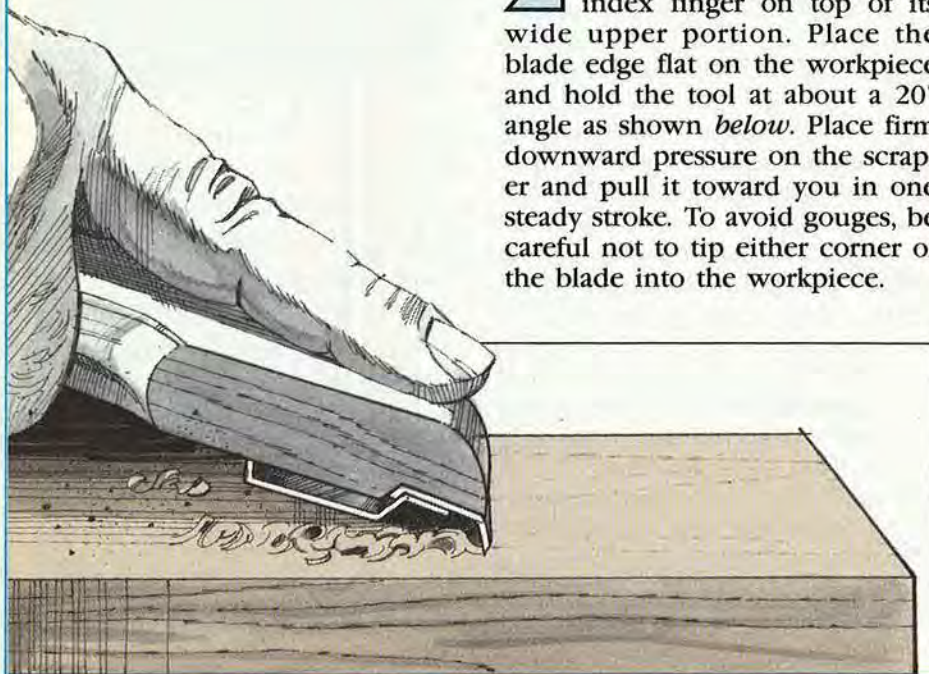
HOW TO SHARPEN AND USE A

Looking for an easy way to clean up cabinet face-frame joints or glued-up stock? If so, you've just hit pay dirt. Believe it or not, using a scraper for these and other tasks, such as removing belt-sander and planer marks, makes the going faster and more precise than if you used an electric sander. And with a scraper, you don't have to worry about kicking up a lot of dust.



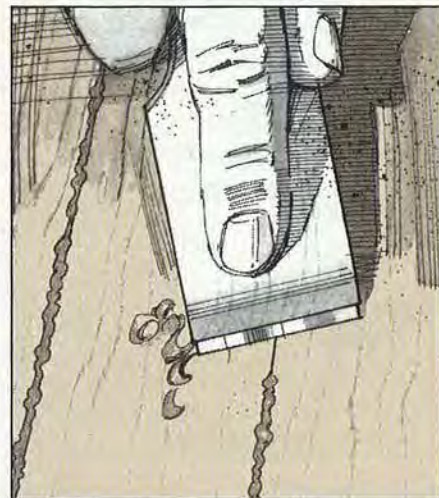
1 "Start sharp, and stay sharp" should be the motto engraved on the handle of every scraper. To fulfill the motto, just hold the tool upside down and at about a 45° angle to a tabletop, as shown *above*, and stroke the blade four or five times with a mill bastard file. Be careful to move the file straight forward so you don't round the blade. When properly sharpened, the blade will cut curly shavings.

2 Hold the scraper by gripping its handle and placing your index finger on top of its wide upper portion. Place the blade edge flat on the workpiece and hold the tool at about a 20° angle as shown *below*. Place firm downward pressure on the scraper and pull it toward you in one steady stroke. To avoid gouges, be careful not to tip either corner of the blade into the workpiece.

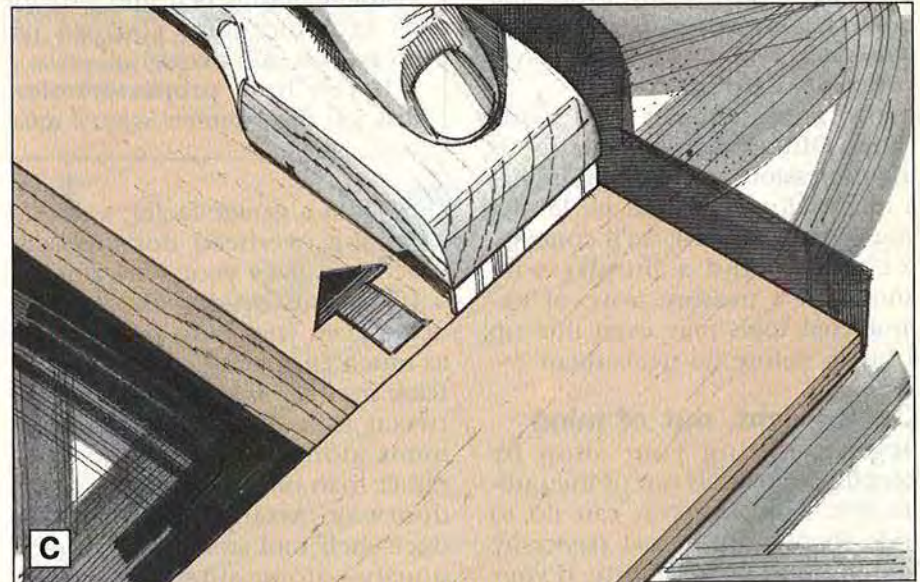
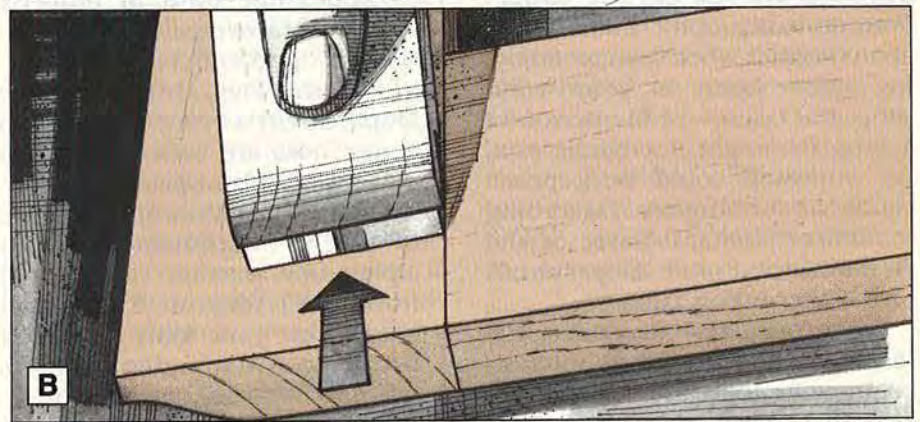
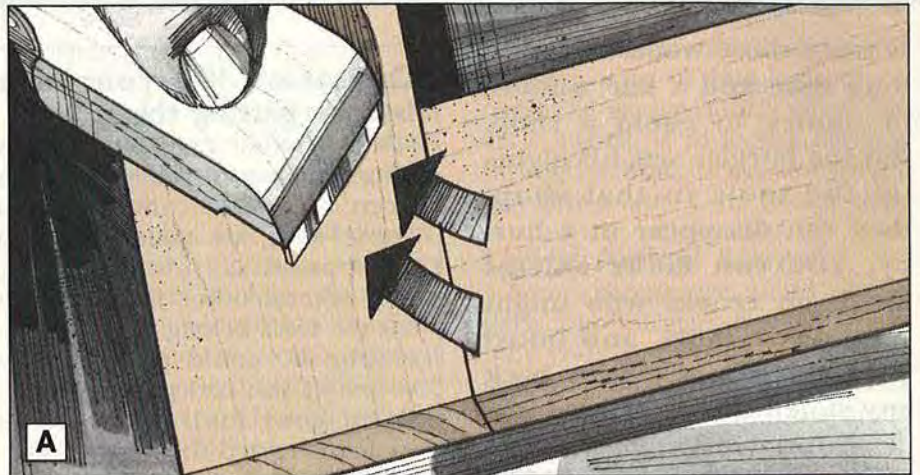
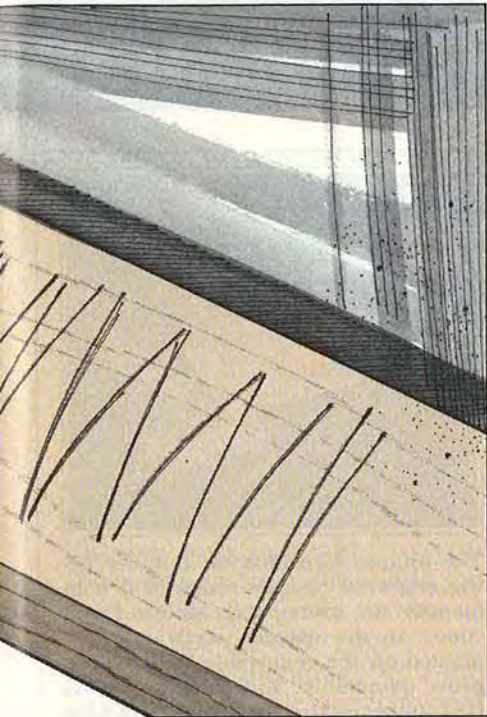
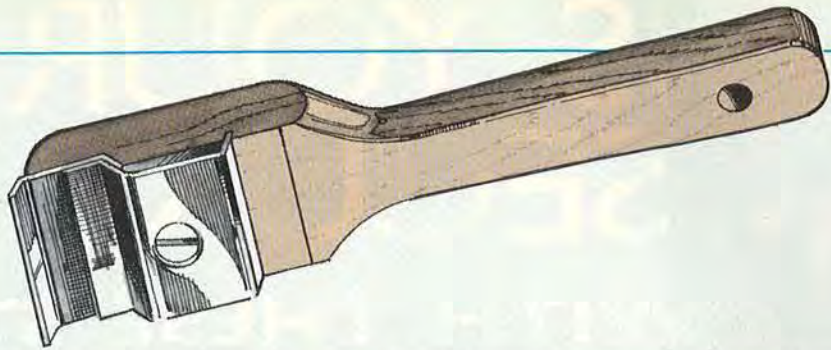


3 To remove planer marks, first draw pencil lines across the board as shown *above*. Then, scrape the surface until the pencil lines disappear. Complete the smoothing process after removing planer marks, scratches, dents, or other surface blemishes by sanding with 150- or 220-grit sandpaper.

4 To quickly remove glue squeeze-out, hold the scraper at a skewed angle to the joint line as shown *below*. Scrape the glue after a hard skin forms. Heavy squeeze-out may require two or more passes.



SCRAPER



5 The 3-step sequence at *right* shows how to scrape flush the adjoining rails and stiles of door and face frames.

First, pull the scraper diagonally across the joint to bring it flush and remove glue squeeze-out.

Then, remove the diagonal scratches from the stile by pulling the scraper with the grain. Be careful to put the scraper blade just up to—but not beyond—the glue joint.

Finally, clean up the rail by placing the blade up to the glue joint and pulling straight back.

Buying Guide

• **Stanley scraper.** Model No. 28-291 (1½"-wide blade), \$6.50 suggested retail price, or model No. 28-293 (2½"-wide blade), \$9, available at hardware stores nationwide. For more information, write to: Stanley Tools, Customer Service Dept., 600 Myrtle St., New Britain, CT 06050. ♣



IS YOUR SHOP SECURE FROM

WITH THESE STRATEGIES,

It takes most woodworkers a long time and a fair amount of money to equip a shop. But if a burglar sets his sights on the tools in that shop, they can disappear in a hurry. You can make things tough on crooks who might want *your* tools, and boost your chances of getting back any stolen items. Here's how.

Some criminals target tools

You probably don't think much about crime when you're enjoying a few hours in your workshop. But crime—in the person of a burglar—might not ignore you. "A workshop could be a prime candidate for burglary," according to Officer Richard Davis of the Des Moines Police Department Crime Prevention Unit.

Some burglars—juveniles, for instance—may not be as interested in your tools as in electronic gear that's easy to lug away and quickly convertible to cash. Most will grab a Compact Disc player rather than a disc sander.

The greatest threat to a workshop, Officer Davis explains, is the professional burglar. "If he has a market for tools, and he knows you're well stocked, he'll come after them." And a burglar who knows of a treasure trove of unprotected tools may even line up a buyer before he steals them.

Out of sight, out of mind

Begin securing your shop by keeping your tools out of the public eye. Anything you can do to hide them from casual passersby will increase your security. If your

Operation ID—your best bet for getting things back

It's the worst possible case. A king's ransom in stolen tools has been recovered, and you just know some are yours. But you can't positively identify them, and several other theft victims say the tools belong to them. Operation ID could prove what's yours—if you had properly identified your tools first, before someone carted them away.

"About one third of property stolen is recovered with Operation ID," said Officer Richard Davis of the Des Moines Police Department Crime Prevention Unit. Those are better odds than you have with unmarked tools.

Under Operation ID, a police or sheriff's department assigns an alphanumeric code (letters and numbers) to you. Then, you mark it on your tools and other property. (Many departments will loan you an engraver or invisible-marking pen and provide an inventory form you can put away in a safe place.)

If you have property stolen, just tell the lawmen what's miss-



The unique identification number being engraved on this router will help identify the tool if it is stolen. Don't count on the maker's serial number, printed on the removable foil label, to prove ownership. You could apply the ID number with an invisible marking pen. Keep a list of your tools noting the location of the engraved ID number.

ing and how it was marked. They can trace ownership of recovered goods with just those letters and numbers. It's your best bet for getting stolen tools back.

To take part in Operation ID, contact your local police or sheriff's department. Most agencies will arrange group presentations, say to a woodworking club or neighborhood group.

shop is in a garage facing a street, keep the overhead door closed when you have your tools out.

If you must work with the door open, keep your tools out of sight as much as possible, putting them back into cabinets or drawers between uses. Place larger equipment along walls, if practical, rather than on display in the open doorway. Arrange pegboard or open-shelf tool storage inconspicuously—along sidewalls rather

than the wall facing the overhead door, for example. And, close and secure the door when you leave the shop for any length of time.

Window shades or frosted glass will help, too. Hardware stores sell plastic film to make clear windows opaque.

Give your tools personality

Too often, stolen tools recovered by police lack identifying marks. That makes it almost impossible



TOOL-BUYER'S

WELCOME PARDNER!

Looking to fill out your herd of woodworking power tools the next time you mosey into town? Well, friend, here on the next 16 pages is a way station you won't want to miss on the ride in. We've corralled eight groups of portable and stationary woodworking power tools, and lassoed all the up-to-date information you'll need to make a smart purchase. With each tool group, you'll find a comprehensive chart, along with an explanation of the most important features.

What about tools not included? We intend to round up those rascals in future issues of *WOOD*® magazine. In case you have questions about a particular manufacturer's tools, such as where to find a local dealer, we've included a listing of manufacturer addresses and phone numbers on *page 86*.

 Print this article



Important buying points

- **Volts.** Although units with high-voltage have more driving torque, the 7.2-volt units will help you accomplish most woodworking tasks. Keep in mind that the 9.6- and 12-volt models have more power storage, so they'll go longer between charges.

- **No-load speeds.** All of the cordless drills in the chart have low gearing (600 rpm and lower) for driving screws. But if you need a tool for drilling, look for a model that has high gearing, too (900 rpm and higher).

- **Clutch.** Higher-priced cordless drills have clutches that slip at predetermined torque levels, preventing you from burying screws too deeply in the workpiece or snapping off screwheads.

- **Chuck.** Today's keyless chucks work like a charm. They free you from trying to keep track of a key,

and the ones we've tested actually grip tighter than keyed chucks. These chucks loosen with a firm, but not Herculean, twist of your hand.

- **Standard equipment.** When selecting a unit, note that some models include an extra battery as standard equipment. With a second battery on hand, you don't have to be concerned about running out of juice, providing you keep your spare charged up. Purchased separately, batteries cost \$30-\$50 each.

The Panasonic and Hitachi models earned buy recommendations in our review of cordless drills in the April 1991 issue of *WOOD* magazine ♣.

ROUNDUP



CORDLESS DRILLS

These workhorses do it all: drill holes, drive screws, and turn bolts, just for starters. And, they do it anywhere, without a cord to get in your way.

25 HARD-DRIVING CORDLESS DRILLS

MANUFACTURER	MODEL	BATTERY				CHUCK					WARRANTY					
		VOLTS	CHARGE TIME (MINUTES)	REMOVABLE (Y) YES (N) NO	NO-LOAD SPEEDS (RPM)	CLUTCH (Y) YES (N) NO	KEYLESS (1) (Y) YES (N) NO	KEY LOCATION (2)	STANDARD EQUIPMENT (3)	LENGTH (4) (INCHES)	DRILL (5)	BATTERY	WEIGHT (LBS.)	COUNTRY OF ASSEMBLY (6)	LIST PRICE	SELLING PRICE (7)
AEG	ABSE10S	7.2	60	Y	0-280, 0-770	Y	N	BH	CC	8	1 yr.	1 yr.	2.65	G	\$269	\$160
	ABSE15S	12	60	Y	0-370, 0-1100	Y	N	BH	CC, CW	8	1 yr.	1 yr.	3.5	G	389	230
BLACK & DECKER	CD2000	6	180	N	225, 550	N	N	BH	-	5	2 yrs.	2 yrs.	2	U	80	50
	CD4000	7.2	180	N	0-600	N	N	BH	-	5 1/4	2 yrs.	2 yrs.	2.2	U	122	70
BOSCH	3051VSRK	9.6	60	Y	0-400, 0-900	Y	Y*	-	CC, EB	7 1/4	1 yr.	1 yr.	4.5	U	266	150
DeWALT	DW942R	7.2	60	Y	0-300, 0-600	N	N	TB	-	6 1/2	1 yr.	1 yr.	3.5	U	177	130
	DW944K	9.6	60	Y	0-350, 0-1200	Y	Y	-	CC	8	1 yr.	1 yr.	4	U	264	170
HITACHI	D10DFK	9.6	60	Y	0-400, 0-1100	Y	Y	-	CC	4 1/2	1 yr.	90 days	3.7	J	244	180
MAKITA	6070DW	7.2	180	N	0-600	N	N	SB	-	5	1 yr.	1 yr.	2.2	U	124	80
	6071DWK	7.2	60	Y	0-600	N	N	SB	CC	5	1 yr.	1 yr.	2.5	J	194	125
	6093DW	9.6	60	Y	0-400, 0-1100	Y	N*	SB	CC	6 3/4	1 yr.	1 yr.	3.8	U	261	140
MILWAUKEE	0399-1	12	30	Y	0-350, 0-1000	Y	N*	SB	CC	6 1/4	*	1 yr.	3.8	U	299	170
	0395-1	9.6	30	Y	0-350, 0-1000	Y	N*	SB	CC	6 1/4	*	1 yr.	3.7	U	279	155
	0385-1	7.2	60	Y	0-600	N	N*	SB	CC	5 3/4	*	1 yr.	2.5	U	180	120
PANASONIC	EY6205BC	12	15	Y	50-350, 150-1000	Y	Y	-	CC	4 1/4	1 yr.	90 days	4.1	J	353	185
	EY6281BC	9.6	15	Y	50-350, 150-1000	Y	Y	-	CC	4 1/4	1 yr.	90 days	3.6	J	315	170
PORTER-CABLE	9853	12	60	Y	0-350, 0-1000	Y	Y*	BH	CC	7 1/8	1 yr.	1 yr.	3.9	U	270	160
RYOBI	TFD152VRK	7.2	60	Y	0-300, 0-1100	Y	Y	-	CC, EB	7 1/2	1 yr.	1 yr.	3.4	HK	261	140
	TFD172VRK	9.6	60	Y	0-400, 0-1200	Y	Y	-	CC, EB	8	1 yr.	1 yr.	3.8	HK	319	160
	TFD220VRK	12	60	Y	0-400, 0-1300	Y	Y	-	CC, EB	8	1 yr.	1 yr.	4.1	HK	353	180
SEARS	11188	7.2	60	Y	0-600	Y	N	UB	-	7	1 yr.	1 yr.	3	HK	-	85
	11189	9.6	60	Y	0-600	Y	Y	-	-	7	1 yr.	1 yr.	3.5	HK	-	125
	27139	12	60	Y	0-350, 0-1000	Y	Y	-	CC, EB	7 1/2	1 yr.	1 yr.	4.0	HK	-	184
SKIL	2503:02	7.2	60	N	300, 600	Y	N	BH	CC	6 1/4	1 yr.	1 yr.	3.5	M	98	75
	2735:04	12	60	Y	0-500, 0-1650	Y	Y*	BH	CC, EB	6 3/4	1 yr.	1 yr.	4	U	236	140

NOTES:

1. (*) Same models available with keyed chucks and keyless chucks.

2. (BH) Bottom of handle
(SB) Side of body
(TB) Top of body
(UB) Under body

3. In addition to battery and charger: (CC) Carrying case

(CW) Clip-on worklight
(EB) Extra battery

4. From tip of chuck to trigger switch.

5. *Milwaukee power tools are warranted for life against defective workmanship or materials. Repairs due to abuse, normal wear, and accidents are not covered.

6. (G) Germany
(HK) Hong Kong
(J) Japan
(M) Mexico
(U) United States

7. Selling prices based on advertisements, catalogs, and dealer inquiries at time of chart's production.



DRILL PRESSES

When you need to drill a splinter-free hole at a precise angle or depth, you can rely on the sharp-shooting skills of a drill press. With the right accessories, these machines also will help you cut mortises, smooth sawn edges (with a drum sander), and even shape small workpieces with the aid of some rasps.

Important buying points

• **Floor vs. bench models.** Before you decide anything, narrow your choice to either a floor-standing or benchtop drill press. Some of the benchtop machines, such as the Black & Decker 9400, Sears 21310, and Skil 3380, take up little space and make sense if you work in cramped quarters.

However, many drill presses come in both forms; the floor-standing version has a longer column and heavier base. For this reason, the floor-standing models typically cost about \$50 more than their benchtop cousins. We think the extra table travel you gain with a floor-standing drill-press makes this money well spent. If you use long bits, thick workpieces, or a combination of the two, a benchtop drill press may not handle the job. Remember, benchtop drill presses eat up valuable work-surface space, but can be stored if you don't mind moving them.

• **Capacity.** A drill press's capacity, sometimes called "swing" refers to the widest workpiece that you can drill into and reach its



Grizzly G1201

center. In other words, a 14" drill press will drill to the center of a 14"-wide board, meaning the machine has 7" of space between the column and spindle center.

One machine in the chart, the Delta 11-090 radial drill press, has a huge advantage in this category. The head and motor assembly of the 11-090 slides back and forth on a steel tube that gives the machine up to 32" of capacity. The table of this machine remains horizontal, and its head tilts.

• **Speeds.** Pay close attention to these numbers. Large Forstner bits (over 1"), circle cutters, and brad-point bits over 3/4", require a drill press that goes as low as 250 rpm for drilling into hardwoods. Drilling into end grain with any bit requires low speeds. At the high end of rpm's, keep in mind that small twist bits (under 3/16" for hardwoods and under 3/8" for softwoods) work best at 3,000 rpm.

• **Quill travel.** The models in the chart range widely in quill travel, a measure of how far you can lower the chuck and bit. Small machines have as little as 2 inches of quill travel, and the Grizzly G-1201 shown above tops the chart with a full 5 inches. This stat, and the length of your drill bits, dictates how deeply you can drill into a workpiece.

• **Country of origin.** There's just no two ways about it: Taiwanese manufacturers own the drill press market. To the best of our knowledge, only the General 34-01 is still made in North America.

Most of today's Taiwanese-made drill presses look and function similarly. Our advice: Buy a machine with the features and price you need, from a source you trust. ♣

THE HOLE STORY ON 24 DRILL PRESSES

MANUFACTURER/ IMPORTER	MODEL (1)	TYPE (2)	CAPACITY (3) (INCHES)	NUMBER	SPEEDS		SPINDLE			RACK AND PINION (5)	CONTINUOUS HORSEPOWER	TABLE TRAVEL (6) (INCHES)	WORK LIGHT (5)	WARRANTY		HEIGHT (INCHES)	WEIGHT (LBS.)	COUNTRY OF ORIGIN (7)	LIST PRICE	SELLING PRICE (8)
					LOW (RPM)	HIGH (RPM)	QUILL TRAVEL (INCHES)	DEPTH STOP (4)	CHUCK CAPACITY					DRILL PRESS	MOTOR					
AMT	4562	F*	12 1/2	12	250	3100	3 1/4	D	5/8	Y	3/4	25 3/4	Y	10 yrs.	1 yr.	64	135	T	\$270	\$245*
BELSAW	MC-17FDP	F*	17	12	250	3000	4 5/8	D	5/8	Y	3/4	25 3/4	Y	1 yr.	90 days	65 1/2	229	T	445	295*
BLACK & DECKER	9400	B	8 3/4	5	620	3100	2	TR	1/2	N	1/4	7	N	2 yrs.	2 yrs.	23 3/4	48	T	251	155
BRIDGEWOOD	BW-1412B	B	14	5	460	2420	3 3/8	D	1/2	Y	1/2	17 1/2	Y	1 yr.	1 yr.	40	140	T	211	199
	BW-1758F	F	16 1/2	12	250	3000	3 3/8	D	5/8	Y	3/4	29 1/8	Y	1 yr.	1 yr.	66	180	T	373	339
DELTA	14-040	B	14	5	460	2500	3 1/3	D	1/2	Y	1/2	22	*	2 yrs.	2 yrs.	39	145	T	360	340
	11-990	B	12	5	620	3100	2 3/8	D	1/2	Y	1/3	11 1/2	*	2 yrs.	2 yrs.	34	72	T	247	235
	11-090*	B	32	5	620	3100	3 5/8	D	1/2	Y	1/3	10 3/4	*	2 yrs.	2 yrs.	32 1/2	120	T	366	345
	17-900	F	16 1/2	12	250	3000	3 1/3	D	1/2	Y	3/4	27	*	2 yrs.	2 yrs.	66	194	T	441	409
GENERAL	34-01	F	15	6	460	4910	4 1/2	TR	1/2	*	1/2	39 1/2	*	2 yrs.	1 yr.	66 1/2	185	C	749	650
GRIZZLY	G1200	F*	14	12	250	3100	3	D	5/8	Y	1/2	29	Y	90 days	1 yr.	66	200	T	-	255*
	G1201	F	18	9	150	2470	5	D	5/8	Y	3/4	25	Y	90 days	1 yr.	68	295	T	-	435*
JET	JDP-14JF	F*	14	5	460	2500	3 3/8	TR	1/2	Y	1/2	29	Y	2 yrs.	2 yrs.	66	178	T	372	330
	JDP-17MF	F*	16 1/2	16	200	3630	4 3/8	TR	5/8	Y	3/4	29	Y	2 yrs.	2 yrs.	66	216	T	419	365
PENN STATE	DPF	F*	13 3/4	5	600	3720	3 1/8	D	5/8	Y	1/2	30 3/4	Y	1 yr.	1 yr.	62 1/2	128	T	250	220*
POWERMATIC	1140F	F*	14	12	250	3100	3 5/16	D	5/8	Y	3/4	27	N	1 yr.	1 yr.	66	170	T	412	370
RELIANT	DD55	F	17	12	340	2800	3 1/8	D	5/8	Y	3/4	30 1/2	N	1 yr.	1 yr.	64	165	T	-	300*
SEARS	21310	B	8	3	620	3100	2	D	1/2	N	1/8	6 1/4	N	1 yr.	1 yr.	23 1/2	42	T	130	109
	21309	B	10	4	480	3000	2 3/8	D	1/2	Y	1/4	9 5/8	N	1 yr.	1 yr.	28 1/4	64	T	-	200
	21315	F	15	12	250	3100	3 1/4	D	5/8	Y	1/2	25 3/8	Y	1 yr.	1 yr.	64	132	T	-	300
	21317	F	17	16	200	3630	3 1/4	D	3/4	Y	3/4	25 5/8	Y	1 yr.	1 yr.	68	335	T	400	350
SKIL	3380	B	8	5	620	3100	2	TR	1/2	Y	1/4	7	N	2 yrs.	2 yrs.	23 1/2	48 1/2	T	200	140
TRANSPOWER	R16	F	14	16	460	2500	3 1/2	D	5/8	Y	1/2	29	Y	2 yrs.	1 yr.	66	178	T	-	195*
	R18	F	18	16	200	3600	3 1/2	D	5/8	Y	3/4	29	Y	2 yrs.	1 yr.	66	230	T	-	265*

NOTES:

- (*) Head tilts, swivels and moves in and out. Table doesn't tilt.
- (B) Bench
(F) Floor
(*) Similar machine available as benchtop model.
- Machine will drill to the center of a board of this width.

- (D) Dial
(TR) Threaded rod
- (Y) Yes
(N) No
(*) Optional
- Maximum distance table lowers from bottom of chuck.

- (C) Canada
(T) Taiwan
- Selling prices based on advertisements, catalogs, and dealer inquiries at time of chart's production.
(*) Plus shipping



JOINTERS

Jointers help you do two things better than you can with any other machine: straighten edges and true the surfaces of warped lumber. That's why many woodworkers take a workpiece to their jointer before they touch it with any other tool.

Important buying points

- **Knife length.** Manufacturers classify jointers by knife length because it's the best overall indicator of how big and powerful you can expect a jointer to be. For example, most 4" and 5" jointers fall into the group of benchtop machines, weighing under 50 pounds. Jointers with 6" knives do most tasks with ease, vary in weight greatly, and make up most of today's jointer market.

We recommend that you focus your search on 6" machines unless you need a jointer for flattening rough-sawn lumber. In that case, you'll need the capacity, power, and durability that comes with an 8" machine.

- **Bed length.** Longer workpieces require longer beds for safe, comfortable, and accurate operation. (A jointer's bed length equals the overall length of the infeed and outfeed tables.) To joint stock up to 6' long, your jointer should have a 40"-or-longer bed. Stock about 8' long requires at least a 60" bed.

- **Cuts per minute.** Generally speaking, the higher number of cuts that a machine makes, the smoother the cut. That's because each knife removes a small arc of material every time it rotates



across the surface; the closer together the arcs become, the less you notice them. However, this only applies if you adjust the knives to the exact same height.

The Ryobi JP-155 has some limitations because of its small size. However, at its top speed of 32,000 cuts per minute, this jointer produces smooth, tearout-free cuts on most any wood.

- **Motor type.** If you don't like to wear hearing protection, don't buy one of the machines with a universal motor. Jointers with universal motors make a loud, shrill noise that becomes even more intense if you connect the machine to a dust collector.

On average, universal motors don't last as long as induction mo-

tors and have brushes that need replacement after extended use. If either type of motor fails, you'll be able to replace most induction motors yourself, but replacing a universal motor usually means a trip to a service center.

- **Fence.** For more control and safety when edge-jointing, we feel fences should be at least 3" high (4" or more is even better). You may be able to overcome the problems that come with a short fence by adding an auxiliary wooden fence to the machine.

If you work with small, figured workpieces, you'll appreciate the smooth surfaces you get from the Ryobi JP-155. ♣

26 JOINTERS THAT GIVE YOU AN EDGE

MANUFACTURER/ IMPORTER	MODEL	KNIFE LENGTH (INCHES)	BED LENGTH (INCHES)	CUTS PER MINUTE	MAXIMUM CUTTING DEPTH (INCHES)	TYPE (1)	MOTOR			KNIFE HEIGHT ADJUSTMENT SCREWS (2)	FENCE	MATERIALS (3)		FENCE		ADJUSTMENTS			WARRANTY			COUNTRY OF ORIGIN (5)	WEIGHT (LBS.)	LIST PRICE	SELLING PRICE (6)
							CONTINUOUS HORSEPOWER	VOLTS				TABLE	HEIGHT (INCHES)	LENGTH (INCHES)	OUTFEED TABLE DEPTH (2)	OUTFEED TABLE LEVELING (2)	INFED TABLE LEVELING (2)	STANDARD EQUIPMENT (4)	JOINTER	MOTOR					
AMT	4800	5	26 3/4	16,000	1/8	U	5.6 amps.	110	N	SP	CI	3 1/8	24	N	Y	Y	PB	10 yrs.	1 yr.	T/U	45	\$ 220	\$ 189*		
	4123	6	42	-	1/8		Motor Not Included		Y	CI	CI	4	28	Y	Y	Y	S	10 yrs.	-	T	202	459	389*		
BRIDGEWOOD	BW-6J	6	45 1/2	13,500	1/2	I	1	110/220	N	CI	CI	4	28	Y	Y	Y	S	1 yr.	1 yr.	T	193	-	330*		
	BW-8J	8	66	13,500	1/2	I	1 1/2	110/220	N	CI	CI	4	36	Y	Y	Y	S	1 yr.	1 yr.	T/U	446	-	895*		
DELTA	37-280	6	35 1/2	12,900	3/8	I	3/4	110	N	EA	CI	3 3/4	24	N	Y	N	PB, S	2 yrs.	2 yrs.	T	143	438	370		
	37-154	6	55 1/2	16,500	1/2	I	3/4	110/220	Y	CI	CI	5	36	Y	Y	Y	PB, S	2 yrs.	2 yrs.	T/U	265	1,367	1,050		
	37-350 & 52-671	8	76 1/2	16,500	3/8	I	1 1/2	110/220	Y	CI	CI	5	36	Y	Y	Y	PB, S	2 yrs.	2 yrs.	T/U	335	1,913	1,500		
GENERAL	1180-1	6	42 1/2	12,600	1/2	I	3/4	110/220	N	CI	CI	4	35	Y	Y	Y	S	2 yrs.	1 yr.	C	226	950	795		
GRIZZLY	G1182	6	47	15,000	1/2	I	1	110/220	N	CI	CI	4	29	Y	Y	Y	S	90 days	1 yr.	T	240	-	376*		
	G1018	8	65	15,000	1/2	I	1 1/2	220	N	CI	CI	4	36	Y	Y	Y	S	90 days	1 yr.	T	445	-	695*		
JET	JJ-6CS	6	44 1/2	13,500	1/2	I	3/4	110/220	N	CI	CI	4	28	Y	Y	Y	S	2 yrs.	2 yrs.	T	258	539	445		
	JJ-8CS	8	66 1/2	13,500	1/2	I	2	220	N	CI	CI	4	38 1/2	Y	Y	Y	S	2 yrs.	2 yrs.	T	398	1,279	1,050		
LOBO	JT-1007	7	42 1/2	13,500	1/2	I	1	110/220	N	CI	CI	4	28	Y	Y	Y	S	1 yr.	1 yr.	T	194	-	309*		
	JT-1008	8	66	13,500	1/2	I	2	220	N	CI	CI	4	38	Y	Y	Y	S	1 yr.	1 yr.	T	460	-	639*		
POWERMATIC	53	6	42	13,500	1/2	I	3/4	110/220	Y	EA	CI	3 3/4	28	Y	Y	Y	PB, S	1 yr.	1 yr.	T	187	634	450		
	50	6	48	21,000	1/2	I	3/4	110/220	Y	CI	CI	4	34 1/2	Y	Y	Y	S	1 yr.	1 yr.	U	290	1,444	1,300		
	60	8	64	21,000	1/2	I	1 1/2	115/230	Y	CI	CI	4	34 1/2	Y	Y	Y	S	1 yr.	1 yr.	U	450	2,056	1,550*		
RELIANT	DD38	6	43	13,500	1/2	I	3/4	110/220	N	CI	CI	4	35 3/4	Y	Y	Y	PB, S	1 yr.	1 yr.	T	140	-	370*		
	DD40	8	66	13,500	5/8	I	1 1/2	220	N	CI	CI	4	36	Y	Y	Y	PB, S	1 yr.	1 yr.	T	315	-	695*		
RYOBI	JP-155	6	28 1/2	16,000-32,000	3/32	U	10.5 amps.	110	Y	CA	CA/SS	2 5/8	28	N	N	N	PB	1 yr.	1 yr.	J	27	623	330		
SEARS	23622	4	21 3/8	16,000	1/8	U	5.6 amps.	110	N	SP	CI	2 3/4	19 1/2	N	N	Y	PB	1 yr.	1 yr.	T	39	-	160		
	23632	5	26 1/2	16,000	1/8	U	5.6 amps.	110	N	SP	CI	3 3/4	24	N	Y	Y	PB	1 yr.	1 yr.	T	45	-	200		
	23221	6	36	12,900	1/8	I	1	110	Y	CI	CI	3 1/4	33	N	N	Y	PB, S	1 yr.	1 yr.	T	150	449	400		
SHOPSMITH	555483 505995	4	28	12,000	3/8	I	1/2	110	Y	CI	CI	3	21 3/4	N	N	Y	PB, S	1 yr.	1 yr.	U	90	-	578*		
TRANSPower	650	6	46	13,500	1/2	I	1	110/220	N	CI	CI	4	28	Y	Y	Y	S	2 yrs.	1 yr.	T	198	-	295*		
	850	8	67	13,500	1/2	I	1 1/2	110/220	N	CI	CI	4	36	Y	Y	Y	S	2 yrs.	1 yr.	T	460	-	670*		

NOTES: 1. (I) Induction (U) Universal
 2. (Y) Yes (N) No
 3. (CA) Cast aluminum (CI) Cast iron (EA) Extruded aluminum (SP) Steel plate (SS) Stainless steel
 4. (PB) Push block (S) Stand
 5. (C) Canada (J) Japan (T) Taiwan (T/U) Taiwanese jointer with U.S. motor (U) United States
 6. Selling prices based on catalogs, advertisements, and dealer inquiries at time of chart's production. (*) Plus shipping



PORTABLE BELT SANDERS

Designed primarily to remove lots of stock quickly and flatten surfaces, a portable belt sander gets a real workout in most woodworking shops. Some models also have a variety of accessories that help you put these dynamos to even more uses.

Important buying points

• *Belt size and sanding area.*

The belt sanders in the chart at right have belts varying in size from 3×18" to 4×24". Simply put, the 4"-wide belts help you do more sanding in a shorter period of time than the 3"-wide belts. And, the longer belts last longer between changes.

When you buy 3"-wide belts, you may notice only a small price difference between the 18", 21", and 24" sizes. So, the longer the belt, the more abrasive you get for your dollar. For example, one retailer charges the following for 25 belts in these sizes: 18", \$19.50; 21", \$20; and 24", \$21.

But, belt size doesn't tell the whole story. You also need to consider how much of the belt remains in contact with the workpiece (see "sanding area" in the chart). Some machines have larger sanding areas than others that hold belts of the same size.

• *Belt Speed.* The faster a machine's belt moves, the quicker it removes stock. But, sometimes it helps to slow things down a little, and that's why some models have two speeds or variable speed. At slower speeds you can avoid burning (a problem with fine-grit belts), and you'll have greater control over stock removal.



• *Motor position.* A few years ago, sanders with transverse design were the only game in town. These models have motors mounted across the width of the machine. Nowadays, several sanders have inline design, meaning the motor is in line with the length of the machine.

Generally, the transverse machines are easier to hold because they feature more comfortable handles. The inline machines have a lower center of gravity, making them easier to control and less prone to tipping.

• *Accessories.* If you frequently use your belt sander to flatten large surfaces, you'll appreciate the availability of a sanding frame. These optional accessories mount to the sander near its base and help you sand a gouge-free surface by preventing the machine from tipping.

Some models also have optional devices that allow you to secure them to a bench, either horizontally on their backs or vertically. This way, you can use the machine for sanding small, irregularly shaped workpieces, or for sharpening tools.

• *Weight.* All of the sanders with 4"-wide belts weigh over 10 pounds, and we suggest you buy one of these machines only if you plan to use it on large, horizontal work surfaces such as tabletops. If you need to use your machine on vertical surfaces, you should opt for one of the lighter units. Your arms will thank you!

The Elu 4024 was a top performer in our review of portable belt sanders in the August 1989 issue of *WOOD*®. ♣

THE NITTY-GRITTY ON 22 PORTABLE BELT SANDERS

MANUFACTURER/ IMPORTER	MODEL	BELT SIZE (WxL) (INCHES)	SANDING AREA (WxL) (INCHES)	BELT SPEED (FEET PER MINUTE)	MOTOR POSITION (1)	AMPS	BEARINGS (2)	DUST COLLECTION (Y) YES (N) NO	STANDARD ACCESSORIES (3)	OPTIONAL ACCESSORIES (3)	SANDS FLUSH (Y) YES (N) NO	CORD LENGTH (FEET)	WARRANTY (4)	WEIGHT (LBS.)	COUNTRY OF ASSEMBLY (5)	LIST PRICE	SELLING PRICE (6)
AEG	HBSE75S	3 x 21	3 x 5 1/4	490-1040	I	7.8	B	Y	B, DB, HS	F, SF, VA	Y	12	1 yr.	8.4	G	\$299	\$172
BLACK & DECKER	7498	3 x 21	3 x 5 1/2	600-950	T	5.2	B	Y	B, DB	HS, SF	Y	6	2 yrs.	7.5	G	170	110
	2732	3 x 24	3 x 4 3/4	1180, 1475	T	8.7	B, R	Y	B, DB	-	Y	8	1 yr.	9.7	J	345	232
BOSCH	3270D	3 x 21	3 x 6 3/8	1080	I	5	B, R, S	Y	B, DB	CC, F, HS, SF, VA	Y	8	1 yr.	7.9	SW	260	145
	1273DVS	4 x 24	4 x 6	1150-1550	T	10.5	B, R, S	Y	B, DB	CC, F, HS, SF, VA	Y	8	1 yr.	14.8	U	370	200
ELU	4024	3 x 21	3 x 5 1/4	475-1100	T	5.2	B, R	Y	B, DB	F, HS, SF, VS	N	10	1 yr.	6.2	SW	327	210
FREUD	LC75	3 x 21	3 x 5 1/4	1475	I	9.6	B, R, S	Y	B, DB	-	Y	8	1 yr.	10.75	S	306	175
	LC110	4 x 24	4 x 6 3/4	1475	I	9.6	B, R, S	Y	B, DB	-	Y	8	1 yr.	11.62	S	327	180
HITACHI	SB75	3 x 21	3 x 4 3/4	1180, 1475	T	8.7	B	Y	B, DB	HS	Y	8 1/2	1 yr.	9.7	J	265	155
	SB10T	4 x 24	4 x 6 1/2	1150, 1380	T	8.7	B	Y	B, DB	HS, SF	Y	8 1/2	1 yr.	11.7	J	313	185
MAKITA	9924DB	3 x 24	3 x 5 3/8	1300	T	7.8	B, R	Y	-	B, DB, HS	Y	16	1 yr.	10.5	J	299	160
	9900B	3 x 21	3 x 5 3/8	1180	T	7.8	B, R	Y	B, DB	HS	Y	16	1 yr.	10	J	283	150
MILWAUKEE	5925	3 x 24	3 x 6 1/2	1400	T	10	B, R, S	Y	B, DB	-	N	8	*	13.75	U	419	235
	5936	4 x 24	4 x 6 1/2	1400	T	10	B, R, S	Y	B, DB	-	Y	8	*	14.5	U	419	245
PORTER-CABLE	352	3 x 21	3 x 5	1300	T	7	B, R	Y	B, DB	CC	Y	7	1 yr.	10.75	U	265	154
	362	4 x 24	4 x 5 3/8	1550	T	10.5	B, R	Y	B, DB	CC	Y	7	1 yr.	13.75	U	350	205
RYOBI	BE-321	3 x 21	3 x 5 1/4	775-1148	I	5.4	B, S	Y	B, DB	F, HS, SF	Y	8	1 yr.	7.9	J/U	281	150
	B-7100	3 x 24	3 x 5 1/4	1500	T	8.4	B, S	Y	DB	-	Y	8	1 yr.	9.7	U	284	160
SEARS	11715	3 x 21	3 x 4 3/4	1300	T	7.5	B, S	Y	B, DB	CC, VA, VS	Y	6	1 yr.	9.2	U	-	85
	11792	4 x 21	4 x 4 3/4	1300	T	7.5	B, R	Y	B, DB	CC, VA, VS	Y	10	1 yr.	10.25	U	-	105
SKIL	7313	3 x 18	3 x 5	700	T	4.5	B, R	Y	B, DB	HS, SF	Y	6	1 yr.	5.25	U	84	80
	7621	3 x 21	3 x 5 3/8	775-1150	I	6	B, R	Y	B, DB	HS	Y	8	1 yr.	8	J	235	160

NOTES:

1. (I) Inline
(T) Transverse

2. (B) Ball
(R) Roller
(S) Sleeve

3. (B) Belt
(CC) Carrying case
(DB) Dust bag
(F) Fence
(HS) Horizontal support
(SF) Sanding frame
(VA) Vacuum attachment
(VS) Vertical support

4. *Milwaukee power tools are warranted for life against defective workmanship or materials. Repairs due to abuse, normal wear, and accidents are not covered.

5. (G) Germany
(J) Japan
(J/U) Japan or United States at discretion of manufacturer
(S) Spain
(SW) Switzerland
(U) United States

6. Selling prices based on advertisements, catalogs, and dealer inquiries at time of chart's production.



ROUTERS

Whether shopping for your first router, or looking to upgrade to a more powerful unit, you'll be pleasantly surprised with the wide variety of routers on today's market.

Important buying points

• **Depth adjustment.** Basically, routers come in two types. Plunge models have spring-loaded housings that lower on two posts when you push down on their handles. Fixed-base versions lower via ring, rack-and-pinion, or spiral mechanisms.

In the past few years, plunge routers have taken over a large share of the market. These immigrants from Europe make for quick and easy cuts into the middle of a surface, such as stopped flutes or keyhole slots.

• **Power.** For most of us, routers that draw 6.5 to 9 amps have plenty of power for most jobs. Consider one of the higher-amp models if you make cuts with bits over 1½" in diameter in tough materials, such as dense hardwoods or solid surface counter materials such as Corian or Avonite.

Remember, extra power has a price: added weight. The more-powerful routers tip the scales at over 10 pounds, and that's more weight than many people can, or want to, handle. For this reason, many woodworkers own one light router and one heavy router. The heaviest models perform well in router tables, where weight makes little difference.

• **Variable speed.** Most router bits make the best cuts at the highest speeds, but large bits, such as panel raisers, benefit from



Ryobi RE-600



These routers distinguished themselves in our February 1990 test. From left: the fixed-base Bosch 1606 (as shown with D-handle) or 1604 (with two knob handles), and these plunge routers: Elu 3304, AEG OFS50, and Elu 3338.

slower speeds (one-third to one-half of peak speed). If you use bits over 1½" in diameter, buy a router with variable speed.

• **Collet capacity.** If possible, buy a router that accepts bits with both ½" and ¼" shanks. The ½" shanks are less likely to bend in stressful situations, so these bits

will produce cleaner cuts over a longer life span.

• **Accessories.** As you can see in the chart, routers have a bevy of available accessories. The most useful ones: edge guides, guide bushings and adapters, guides for cutting circles and curves, and vacuum attachments. ♣

FINDING THE RIGHT ROUT: SPECS ON 25 POPULAR MODELS

MANUFACTURER	MODEL	DEPTH ADJUSTMENT (1)	MAXIMUM PLUNGE DEPTH (INCHES)	ELECTRONIC VARIABLE SPEED (Y) YES (N) NO (2)	MOTOR		COLLET CAPACITIES (INCHES)	SWITCH TYPE (3)	PLUNGE-LOCK TYPE (4)	HANDLE TYPE (5)	OUTSIDE DIAMETER (INCHES)	HOLE DIAMETER (INCHES)	BASE		ACCESSORIES (6)		WARRANTY (7)	HEIGHT (INCHES)	WEIGHT (LBS.)	COUNTRY OF ASSEMBLY (8)	LIST PRICE	SELLING PRICE (9)
					NO-LOAD RPM	AMPS							STANDARD	OPTIONAL								
AEG	OFS50	P	1 ¹⁹ / ₁₆	N	25,000	6.25	1/4	TR	M	K	6 ¹ / ₈	1 ¹ / ₂	EG, HI	CCG, MC, VA	1 yr.	8 ⁷ / ₈	5 ¹ / ₂	G	\$299	\$240		
BLACK & DECKER	7612	RP	-	N	25,000	9	1/4	TR	-	A	6	1 ¹ / ₄	CC	CG, GB, LG, P	2 yrs.	7 ³ / ₄	8	U	135	89		
	7615	P	2	N	25,000	9	1/4	TR	M	A	6	1 ¹ / ₄	-	CG, GB, LG, P	2 yrs.	7 ³ / ₄	8 ¹ / ₄	U	133	89		
BOSCH	1604 or 1606	S	-	N	25,000	10	1/4, 3/8, 1/2	T or TR	-	K or D	6	1 ³ / ₄	-	CC, EG, EJ, GB, MC, VA	1 yr.	8	7 ³ / ₄	U	236	135		
	1613EVS	P	2	Y*	12,000-22,000	11.3	1/4, 3/8, 1/2	TR	S	A	6 ¹ / ₂	1 ⁵ / ₈	-	CC, CCG, EG, EJ, GB, MC, VA	1 yr.	11 ¹ / ₂	10	U	320	250		
	1615EVS	P	3	Y*	12,000-19,000	15	1/4, 3/8, 1/2	TR	S	A	6 ¹ / ₂	2 ⁵ / ₈	HI	CC, CCG, EG, EJ, GB, MC, VA	1 yr.	13 ³ / ₄	12 ¹ / ₄	U	460	270		
DeWALT	DW610	RP	-	N	25,000	9	1/4, 1/2	T	-	K	6	1 ¹ / ₄	-	CG, EG	1 yr.	7 ¹ / ₂	7 ¹ / ₄	U	250	179		
ELU	3304	P	1 ¹⁵ / ₁₆	Y*	8,000-24,000	6.5	1/4	S	T	K/A	5 ¹¹ / ₁₆	2 ¹ / ₂	EG, HI	CG, GB, RG, VA	1 yr.	9 ⁹ / ₁₆	6	SW	292	200		
	3338	P	2 ⁷ / ₁₆	Y*	8,000-20,000	12	1/4, 3/8, 1/2	S	S	K	6 ¹¹ / ₁₆	2 ⁵ / ₈	EG, HI	CG, GB, RG, VA	1 yr.	11 ¹ / ₄	11 ¹ / ₄	SW	475	260		
FREUD	FT2000E	P	2 ³ / ₄	Y*	8,000-22,000	15	1/4, 1/2	S	S	A	6 ³ / ₄	2 ¹ / ₂	-	EG, GB	1 yr.	12 ³ / ₄	12 ¹ / ₂	S	410	215		
HITACHI	M8V	P	2	Y*	10,000-25,000	7.3	1/4	S	M	A	5 ³ / ₄	2	-	EG, GB, HI, VA	1 yr.	10	6 ² / ₃	J	280	170		
	M12V	P	2 ⁷ / ₁₆	Y*	8,000-20,000	15	1/4, 3/8, 1/2	S	M	A	7	2	EG, HI	CCG, GB, VA	1 yr.	11 ¹³ / ₁₆	11 ³ / ₄	J	449	250		
MAKITA	3620	P	1 ³ / ₈	N	24,000	7.8	1/4	TR	M	K	5 ⁵ / ₈	2 ³ / ₄	CC	CCG, EG, HI	1 yr.	8 ⁵ / ₁₆	5 ³ / ₄	J	196	120		
	3601B	R	-	N	23,000	8.5	1/4, 1/2	TR	-	D	6 ¹ / ₄	1 ¹ / ₂	-	CCG, EG, HI	1 yr.	7 ¹ / ₂	8	J	261	150		
	3612B	P	2 ¹ / ₂	N	23,000	14	1/4, 1/2	T	M	A	6 ¹ / ₄	2 ³ / ₄	-	CCG, EG, HI	1 yr.	11 ⁵ / ₁₆	12 ³ / ₄	J	347	205		
MILWAUKEE	5660	R	-	N	24,500	10	1/4, 3/8, 1/2	S	-	A	6	1 ¹ / ₄	-	EG, VA	*	8	8 ¹ / ₂	U	325	215		
PORTER-CABLE	100	S	-	N	22,000	6.5	1/4	T	-	K	5 ³ / ₄	1 ³ / ₁₆	-	CC, CCG, CG, EG, GB	1 yr.	7	6 ³ / ₄	U	170	120		
	690	S	-	N	23,000	10	1/4, 3/8, 1/2	T	-	K or D	5 ³ / ₄	1 ³ / ₁₆	-	CC, CCG, CG, EG, EJ, GB	1 yr.	8	8	U	245	145		
	693	P	2 ¹ / ₂	N	23,000	10	1/4, 3/8, 1/2	T	S	K	5 ³ / ₄	1 ³ / ₁₆	-	CC, CCG, CG, EG, EJ, GB	1 yr.	10 ¹ / ₂	11 ¹ / ₂	U	285	180		
RYOBI	R-150K	P	2	N	24,000	6.5	1/4	R	M	K	5 ³ / ₄	2	CC, EG	GB	1 yr.	9	6 ¹ / ₄	U	207	120		
	RE-600	P	2 ³ / ₈	Y*	10,000-22,000	15	1/4, 3/8, 1/2	T	M	K	6 ¹ / ₂	1 ¹⁵ / ₁₆	EG	GB	1 yr.	12 ¹ / ₄	13 ¹ / ₂	J	453	230		
SEARS	17473	S	1 ¹ / ₂	Y	15,000-25,000	9	1/4	TR	-	A	6	1 ¹ / ₂	-	LG, P, RG	1 yr.	10 ¹ / ₂	8 ¹ / ₄	U	-	109		
	27506	P	2 ¹ / ₂	Y	10,000-25,000	15	1/4, 3/8, 1/2	T	M	A	6 ¹ / ₂	1 ¹⁵ / ₁₆	CCG, EG, GB	LG	1 yr.	12 ¹ / ₄	13 ¹ / ₂	U	-	244		
SKIL	1835	P	2	N	25,000	9	1/4	R	S	A	6	2 ³ / ₄	DS, GA	EG, GB, LG	1 yr.	9 ¹ / ₄	7	U	116	75		
	1875	P	2 ¹ / ₂	Y	10,000-23,000	11.5	1/4, 1/2	TR	S	D	6 ¹ / ₂	2 ³ / ₄	DS, GA	CC, EG, GB, VA	1 yr.	10 ⁷ / ₈	9	U	319	280		

NOTES:

- (P) Plunge
(R) Ring
(RP) Rack & Pinion
(S) Spiral
- *Fixed-speed version also available.
- (R) Rocker
(S) Slide
(T) Toggle
(TR) Trigger
- (M) Manual
(S) Self-locking lever
(T) Twist knob
- (A) Arm
(D) D-handle
(K) Knob
- (CC) Carrying case
(CCG) Curve-cutting guide
(CG) Circle guide
(DS) Dust shield
(EG) Edge guide
(EJ) Edge-joining system
(GA) Guide bushing adapter
(GB) Guide bushings
(HI) Hole insert
(LG) Letter guide
(MC) Metric collets
(P) Pantograph
(RG) Right-angle guide
(VA) Vacuum attachment
- *Milwaukee power tools are warranted for life against defective workmanship or materials. Repairs due to abuse, normal wear, and accidents are not covered.
- (G) Germany
(J) Japan
(S) Spain
(SW) Switzerland
(U) United States
- Selling prices based on advertisements, catalogs, and dealer inquiries at time of chart's production.

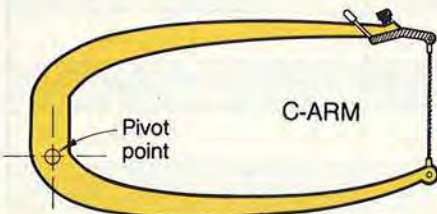
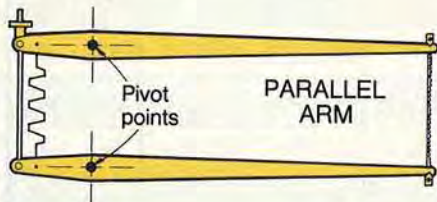


SCROLLSAWS

If you can trace a line, you'll find happiness and success with a scrollsaw. When it comes to user safety, making tight cuts, and just plain fun, these scrollsaws simply have no equal among workshop power saws.

Important buying points

● **Arm style.** Scrollsaws with parallel arms, such as the machine at right, dominate today's market. These saws cut smoothly and accurately while putting minimum stress on blades. Less stress means your blades will last longer.



The next-best-selling saws feature C-arm design, such as the Delta 40-601, Grizzly G1060, and Sears 23640. These machines cut a slightly wider kerf with rougher edges, but their aggressive action helps you cut faster.

● **Throat depth.** Several manufacturers offer scrollsaws similar in most respects, but with various throat depths. Our advice: Buy a saw that's big enough to handle your largest projects, but no bigger. Every extra inch of throat depth adds considerably to the cost of the machine.



RBI 216VS with optional blade holder.

● **Strokes per minute (spm).** Higher-quality saws offer variable speed (0-2,000 spm, for example), or several set speeds (such as 400, 800, or 1,400 spm). Although most woodworking applications only require the highest possible speeds, you may find slower speeds handy for cutting thin veneers or materials other than wood. Scrollsaws help you cut plastics, brass, aluminum, and even glass and stone—provided you have a means to reduce the speed and use the right blade. Beginning scrollers enjoy greater control over cuts at slower speeds.

● **Speed control.** You can turn down a scrollsaw's speed in one of two ways: electronically by dial, or by changing belts. We prefer electronic speed controls, including the frequency regulators on two of the Hegner saws.

● **Accessories.** Note that some machines come with stands—a valuable accessory. If you have to buy the manufacturers' stand, it may cost as much as \$100.

● **Price.** You'll find a great price disparity among machines with similar specifications. To appreciate the differences, you really need to try the scrollsaws yourself. Generally, you'll discover that the more expensive machines make smoother and more controlled cuts, produce less noise and vibration, and feature higher-quality construction and motors.

If you're a serious scrollsawer, take a look at the scrollsaws made by RBI and Hegner. These machines rated highly in our September 1991 look at scrollsaws priced over \$500. ♣

30 SCROLLSAWS THAT HELP YOU IN TIGHT SPOTS

MANUFACTURER/ IMPORTER	MODEL	ARM STYLE (1)	THROAT DEPTH (INCHES)	STROKE LENGTH (INCHES)	STROKES PER MINUTE	MAXIMUM CUT DEPTH (INCHES)	TABLE			MOTOR			BEARINGS (6)		STANDARD ACCESSORIES (7)		OPTIONAL ACCESSORIES (7)		WARRANTY		COUNTRY OF ORIGIN (8)	LIST PRICE	SELLING PRICE (9)
							SIZE (WIDTH x DEPTH) (INCHES)	BEVEL (L) LEFT (R) RIGHT (U) UP (D) DOWN	BLADE LOCK STYLE (2)	SPEED CONTROL (3)	DRIVE SYSTEM (4)	TYPE (5)	AMPS	ARM PIVOT(S)	TIE ROD TO MOTOR	SCROLLSAW	MOTOR	WEIGHT (LBS.)					
AMT	4671	P	23	3/4	825, 1725	2 5/8	10 x 20 1/2	45°L	S	E	D	I, TEFC	2.2	S	B	B	-	10 yrs.	1 yr.	86	T	\$ 350	\$ 320
BELSAW	MC-18SS	P	18	3/4	1720	2	8 3/4 x 17 1/4	30°L	S	N	D	I, TEFC	1.6	S	B	B, S	-	1 yr.	90 days	60	T	419	250
DELTA	40-150	P	15	7/8	1725	2	7 7/8 x 17	45°L	S	N	D	I, ODP	1.6	S	B	-	-	2 yrs.	2 yrs.	46	T	146	130
	40-560	P	16	7/8	850, 1790	2	11 3/4 round	45°L	S	E	D	I, ODP	1.2	S	B	B, FS	L, S	2 yrs.	2 yrs.	37	T	239	190
	40-640	P	20	7/8	400-1800	2	14 round	45°L	S	E	D	DC	1.25	S	B	B	S	2 yrs.	2 yrs.	61.5	T	410	340
	40-601	C	18	7/8	0-2000	2	16 round	30°L, 45°R, 15°U, 30°D	S	E	D	DC	1.7	B	B/R	B, S	L	2 yrs.	2 yrs.	132	U	942	700
DREMEL	1571	P	15	3/16	3450	1 5/8	8 x 9 1/2	45°L/R	F	E	D	I	1.4	S	B	-	FS	1 yr.	1 yr.	15	U	139	90
	1671	P	16	3/4	890, 1790	2	12 round	45°L	S	E	D	I	1.6	S	B	B, VA	L, S	1 yr.	1 yr.	43	T	278	180
	1695	P	16	3/4	200-2000	2	12 round	45°L	S	E	D	DC	1.3	S	B	B, VA	L, S	1 yr.	1 yr.	40	T	390	250
EXCALIBUR	EXIISD	D	19	3/4	400, 800, 1400	1 3/4	12 x 17	45°L/R	F	B	B	I, TEFC	2.3	B	B	B	L	1 yr.	90 days	70	C	735	679#
	EX24VS	P	24	3/4	0-1800	2 1/8	14 x 24	45°L, 20°R	A	E	D	DC	2.77	B	B	B, S	L	2 yrs.	90 days	110	C	1,695	1,429
GRIZZLY	G1572	P	15	3/4	1725	2	7 3/8 x 17	45°L	S	N	D	I, TEFC	1.6	B	B	B	-	90 days	1 yr.	44	T	-	100*
	G1060	C	22	3/4	1720	2	8 3/4 x 17 3/8	45°L	S	N	D	I, TEFC	2.2	B	B	B	-	90 days	1 yr.	56	T	-	150*
HEGNER	Multimax 14E	P	14 3/8	5/8	1700	2	7 x 15	45°L	S	N	D	I, TEFC	2.83	S	B	B	L, S	3 yrs.	1 yr.	30	G	499	399
	Multimax 18V	P	18	7/16, 1	400-1700	2 5/8	9 x 17	45°L, 15°R	S	FR	D	I, TEFC	2.83	S	B	B	L, S	3 yrs.	1 yr.	48	G	999	899
	Multimax 22V	P	22	7/16, 1	400-1700	2 5/8	9 x 17	45°L, 15°R	S	FR	D	I, TEFC	2.83	S	B	B	L, S	3 yrs.	1 yr.	55	G	1,199	1,099
JET	SS-24	SR	24	1 5/16	790, 990, 1250, 1600	1 3/4	15 1/2 x 15 1/2	45°L, 15°R	A	B	B	I, TEFC	7.4	S	B	B, S	-	1 yr.	1 yr.	180	T	1,070	950
	JSS-26	P	26	9/16	850, 1750	1 5/8	8 x 20 1/2	45°L	S	E	D	I, TEFC	2.3	S	B	B	S	1 yr.	1 yr.	73	T	345	310
PENN STATE	SVS	P	15	3/4	400-1800	2	8 x 17	45°L	SA	E	D	DC	1.3	S	B	B	L, S	1 yr.	1 yr.	35	T	-	170*
RBI	216VS	P	16	7/8	300-1450	2 1/8	10 1/2 round	45°L/R	SA	E	D	I, TEFC	2	S	B	B, S	L	3 yrs.	1 yr.	69	U	799	749*
	220VS	P	20	1 1/8	300-1450	2 1/8	14 1/2 round	45°L/R	SA	E	D	I, TEFC	2	B	B	B, S	L	3 yrs.	1 yr.	90	U	999	909*
	226VS	P	26	1 1/8	300-1450	2 1/8	14 1/2 round	45°L/R	SA	E	D	I, TEFC	2	B	B	B, S	L	3 yrs.	1 yr.	105	U	1,299	1,079*
RYOBI	SC-160	P	16	3/4	1725	2 1/2	10 5/8 x 14 1/2	45°L	S	N	D	I, TEFC	1.6	S	B	B	-	1 yr.	1 yr.	44	T	282	160
SAKURA	ST-14-3	P	14	1	1050, 1361, 1750	2	9 x 14 1/5	45°L, 35°R	S	B	B	I, TEFC	1.8	S	B	B, S	-	1 yr.	1 yr.	65	T	549	440
	SKS-21	P	21	1	170, 450, 790, 1140, 1370	2	14 x 22 1/2	45°L, 30°R	S	B	B	I, TEFC	2.2	S	B	B, S	-	1 yr.	1 yr.	85	T	685	570
SEARS	23611	P	16	3/4	1700	2	8 x 14	45°L	F	N	D	DC	2	S	B	-	-	1 yr.	1 yr.	33	T	150	99
	23618	P	16	7/8	500-1500	1 1/4	8 1/2 x 12 3/4	45°L	A	E	D	DC	1.2	S	B	B	-	1 yr.	1 yr.	28	T	180	160
	23640	C	20	7/8	300-2000	2	16 x 16	30°L, 45°R	A	E	D	DC	1.3	B	B	B, S	-	1 yr.	1 yr.	143	T	-	399
SHOPSMITH	555272	P	20	1 3/32	500-1200	2	23 7/8 x 16	45°L/R	S	E	B	DC	1.7	S	B	B, S	FS, L	1 yr.	1 yr.	65	U	-	649
SKIL	3330	P	16	3/4	1725	2	10 x 15	45°L	S	N	D	I, ODP	1.6	S	B	B	L, S	2 yrs.	2 yrs.	43	T	199	159

NOTES: 1. (C) C-arm
(D) Double parallel link
(P) Parallel
(SR) Spring recoil
2. (S) Separate pivoting clamp
(A) Attached pivoting clamp
(F) Fixed clamp
(SA) Bottom: separate pivoting clamp
Top: attached pivoting clamp

3. (B) Belt
(E) Electronic
(FR) Frequency regulator
(N) None
4. (B) Belt
(D) Direct
5. (DC) Direct current
(I, ODP) Induction, open drip-proof
(I, TEFC) Induction, totally enclosed, fan-cooled

6. (B) Ball
(S) Bronze sleeve
7. (B) Blower
(FS) Flex-shaft attachment
(L) Light
(S) Stand
(VA) Vacuum attachment

8. (C) Canada
(S) Germany
(T) Taiwan
(U) United States
9. Selling prices based on advertisements, catalogs, and dealer inquiries at time of chart's production.

(*) Plus shipping
(#) Same machine available with DC motor found on Excalibur EX24VS for \$200 more.



TABLESAWS

No matter how much money or workshop space you can afford to devote to a tablesaw, manufacturers have a machine to meet your needs.

Important buying points

• **How to choose between a stationary or benchtop model.** If you work in tight quarters, or need to move your machine from place to place, consider one of the benchtop saws. In exchange for their small size, most of these saws have compromises in terms of power, durability, and accuracy. One exception: the Ryobi BT3000 shown *below, right*. In our tests this saw was as accurate as larger machines, more versatile than any other tablesaw we've seen, and as portable as other benchtop units. With a price tag under \$600, it costs about the same or less than better-quality stationary tablesaws.

• **Fences.** The more you pay for a tablesaw, the more likely you'll own a machine with a rip fence that adjusts easily and stays rigidly in alignment time after time. If you want to cut sheet goods with your tablesaw, pay close attention to the rip capacity—a measure of the maximum distance between the blade and fence.

• **Tables.** Although cast-iron adds weight to a saw, we prefer this rugged material for tabletops. Cast-aluminum tops require occasional applications of paste wax so that workpieces slide smoothly without marring. And, we prefer solid extensions over grate types; catching your finger between the saw's fence and one of the grates can be a painful experience.

• **Motors.** For maximum, trouble-free life, choose a model with a



The Delta 34-782 Unisaw from the WOOD® magazine shop.



The Ryobi BT3000 came up a winner in our recent review of the machine.

totally enclosed, fan-cooled motor. Any saw with 1½-or-more *continuous* horsepower will tackle most woodworking tasks. The 3-horsepower models slice through hard, thick woods without bogging down.

• **Drive train.** In our tests, belt-driven machines put less stress on motors and produce cleaner, more accurate cuts than direct-drive units. Belt-driven motors are also easier to replace than direct-drive motors. ♣



TABLE MATTERS: A COMPARISON ON 24 TABLESAWS

MANUFACTURER/ IMPORTER	MODEL	TYPE (1)	CUTTING DEPTH (INCHES)		FENCE				TABLE			MOTOR			WARRANTY			COUNTRY OF ORIGIN (9)	LIST PRICE	SELLING PRICE (10)
			BLADE AT 90°	BLADE AT 45° (2)	RIP CAPACITY (INCHES)	FENCE MATERIAL (3)	RAIL MATERIAL (4)	MATERIAL (5)	EXTENSION MATERIAL, TYPE (6)	SIZE WITH EXTENSIONS (INCHES) (WxD)	TYPE (7)	CONTINUOUS HORSEPOWER	VOLTS	DRIVETRAIN (8)	TABLESAW	MOTOR	WEIGHT (LBS.)			
AMT	4572	S	3 1/8	2 1/8-R	25	EA	TS	CI	CI, G	40 1/2 x 27	I, TEFC	1 1/2	110/220	B	10 yrs.	1 yr.	231	T	\$ 450	\$ 445*
BRIDGEWOOD	TSC-10B	S	3 1/4	2 3/16-R	40	S/L	AI, TS	CI	CI, G	40 x 27	I, TEFC	1 1/2	110/220	B	1 yr.	1 yr.	295	T/U	1,050	689*
DELTA	34-670	S	3 1/8	2 1/8-R	24	FS	TS	CI	FS, S	38 3/8 x 22 1/4	U	15 amps.	110	B	2 yrs.	2 yrs.	130	T	450	400
	34-444	S	3 1/8	2 1/8-R	25	FS	TS	CI	FS, S	40 x 27	I, ODP	1 1/2	110/220	B	2 yrs.	2 yrs.	265	U	812	650
	36-755	S	3 1/8	2 1/8-R	25	FS	TS	CI	CI, S	40 x 27	I, TEFC	2	220	B	2 yrs.	2 yrs.	288	U	1,192	950
	34-782 Unisaw	S	3 1/8	2 1/8-R	52	EA	EA	CI	CI, S	78 1/2 x 27	I, TEFC	3	220	B	2 yrs.	2 yrs.	469	U	2,289	1,700
GENERAL	350-1	S	3 1/8	2 1/8-R	25	FS	TS	CI	CI, S	36 x 28	I, TEFC	3	220	B	2 yrs.	1 yr.	475	C	2,099	1,599
GRIZZLY	G1022	S	3 1/8	2 1/8-R	25	FS	TS	CI	CI, G	40 5/8 x 27	I, TEFC	1 1/2	110/220	B	90 days	1 yr.	230	T	-	365*
	G1023	S	3 1/8	2 1/4-R	26	S/L	TS	CI	CI, S	36 x 27	I, TEFC	3	220	B	90 days	1 yr.	420	T	-	895*
JET	JTS-10JF	S	3 1/8	2 1/8-R	30	EA	EA	CI	FS, S	40 x 27	I, TEFC	1 1/2	110/220	B	2 yrs.	2 yrs.	223	T	639	480
	JCS-10	S	3 1/8	2 1/8-R	30	EA	EA	CI	CI, S	40 x 27	I, TEFC	2	220	B	2 yrs.	2 yrs.	333	T	1,139	985
LOBO	TS0010	S	3 1/8	2 1/8-R	25	FS	TS	CI	CI, S	42 x 27	I, TEFC	1 1/2	110/220	B	1 yr.	1 yr.	245	T	-	399*
MAKITA	2711	B	3 9/16	2 1/2-R	24	FS	TS	CA	CA	42 7/8 x 28 1/8	U	12 amps.	110	D	1 yr.	1 yr.	72	J	868	480
POWERMATIC	63	S	3 1/8	2 1/8-R	26	EA	TS	CI	CI, G	40 1/2 x 27	I, TEFC	1 1/2	110/220	B	1 yr.	1 yr.	295	T	951	700
	66	S	3 1/8	2 1/8-L	53	S/L	AI, TS	CI	CI, S	38 x 28	I, TEFC	3	220	B	1 yr.	1 yr.	550	U	2,270	1,700
RELIANT	DD10	S	3 1/4	2 1/8-R	25 1/8	FS	TS	CI	CI, G	30 x 23	I, TEFC	1 1/2	110/220	B	1 yr.	1 yr.	210	T	-	370*
RYOBI	BT3000	B	3 9/16	2 1/2-R	28 1/8	EA	EA	CA	CA	41 1/2 x 44	U	13 amps.	110	B	1 yr.	1 yr.	75	U	1,157	600
SEARS	29884	S	3 3/8	2 1/4-L	24	FS	AI	CI	CI, G	44 x 27	I, ODP	1 1/2	110/220	B	1 yr.	1 yr.	248	U	550	500
	29872	S	3 3/8	2 1/4-L	24	FS	AI	CI	CI, G	44 x 27	I, ODP	1	110	B	1 yr.	1 yr.	235	U	500	400
	22688	S	2 1/2	2 5/16-L	24	FS	AI	CI	CI, G	40 x 20	I, ODP	1	110	D	1 yr.	1 yr.	160	U	350	300
	29809	S	2 1/2	2 5/16-L	24	FS	AI	CA	FS, S	40 x 27	I, ODP	1	110	D	1 yr.	1 yr.	126	U	300	280
SHOPSMITH	Sawsmith 2000	S	2 3/8	2 1/8-L	24 1/8	FS	TS	CA	-	27 x 31	I, ODP	1 1/4	110	D	1 yr.	1 yr.	190	U	999	699*
SKIL	3400	B	3	2 1/2-L	12	FS	EA	CA	-	26 5/8 x 17 5/8	U	13 amps.	110	D	2 yrs.	2 yrs.	40	T	250	200
TRANSPower	TS200	S	3 1/8	2 1/4-R	33 1/2	SL	TS	CI	CI, S	36 x 27	I, TEFC	3	220	B	5 yrs.	1 yr.	500	T	1,050	895*

NOTES:

- | | | | |
|---|--|---|---|
| <p>1. (B) Benchtop
(S) Stationary</p> <p>2. (L) Left-tilting blade
(R) Right-tilting blade</p> <p>3. (EA) Extruded aluminum
(FS) Formed steel
(S/L) Steel with laminate cover</p> <p>4. (AI) Angle iron
(EA) Extruded aluminum
(TS) Tubular steel</p> | <p>5. (CA) Cast aluminum
(CI) Cast iron</p> <p>6. (CA) Cast aluminum
(CI) Cast iron
(FS) Formed steel
Types: (G) Grate
(S) Solid</p> | <p>7. (I) Induction
(ODP) Open, drip-proof
(TEFC) Totally enclosed, fan-cooled
(U) Universal</p> <p>8. (B) Belt drive
(D) Direct drive</p> <p>9. (C) Canada
(J) Japan
(T) Taiwan
(T/U) Taiwanese saw with U.S.
motor and magnetic starter
(U) United States</p> | <p>10. Selling prices based on advertisements,
catalogs, and dealer inquiries at time of
chart's production.
(*) Plus shipping</p> |
|---|--|---|---|



THICKNESS PLANERS

Today, you can choose among a greater number of affordably priced thickness planers than ever before. New low-priced portable machines help you mill stock to exact thickness and transform rough-sawn timbers into smooth boards.

Important buying points

● **Capacity.** All of the machines in the chart will handle 4" or thicker boards; which is more than enough capacity for most home woodworkers. Machines with more width capacity not only allow you to thin wider boards, they sometimes enable you to feed two or three boards through the machine simultaneously, side-by-side. The Williams & Hussey machine has an open-side design, so you can plane one side of a board's face, and then the other side, in effect, giving you 14" of width capacity.

● **Motor type.** With the exception of portable machines, most thickness planers have heavy and relatively quiet induction motors. Portable planers feature universal motors that weigh a fraction of what induction motors do, but they make considerably more noise. They also require occasional brush replacements.

● **Horsepower.** Because universal motors are not typically rated in horsepower, we list their amperage draw or amps in this chart category. In our earlier tests, all of the portable planers had comparable power, even though the manufacturers' amperage listings vary



The Shopsmith 555082 from the WOOD® magazine shop.



These portable planers proved themselves good buys in previous WOOD magazine tests (from left): Delta 22-540, Hitachi P12R (shown as model P12RA with attachable 6" jointer), Grizzly G1017, and Makita 2012.

somewhat. Among the machines with induction motors, keep in mind that additional horsepower will help the machine take deeper cuts in wider stock.

● **Number of speeds and feed rate.** With several of the stationary machines, you choose between two speeds at which the machine feeds stock across the cutterhead. The Shopsmith and Woodmaster planers feature variable speed, which gives you even greater control over feed rate.

● **Molding capability.** With several of these planers, you can buy accessory molding heads—a nice

feature if you want to mass-produce moldings. The Williams & Hussey unit even helps you make curved moldings. And, if you really want to get the most from these machines, keep in mind that the Belsaw, RBI, and Woodmaster models also take accessory sanding drums and gang-ripping saws.

● **Weight.** You can stow any of the portable planers under a bench or take it to a location outside your shop without great difficulty. If you will be lifting the machine, pay close attention to the weight specifications. Your back will be glad you did. ♣

Produced by Bill Krier Photographs: Hopkins Associates

24 THICKNESS PLANERS TO THINK ABOUT

MANUFACTURER/ IMPORTER	MODEL	CAPACITY (WIDTH x THICKNESS) (INCHES)	MAXIMUM CUT (INCH)	MOTOR TYPE (1)	POWER TRAIN				CUTTERHEAD				MATERIALS (4)				WARRANTY						
					CONTINUOUS HORSEPOWER	VOLTS	POWER DRIVE (2)	NUMBER OF SPEEDS (3)	FEED RATE (FEET PER MINUTE)	CUTS PER INCH	NUMBER OF KNIVES (J) JACK SCREWS OR (S) SPRINGS	CUTTER HEAD	HEAD SUPPORT	BED	MOLDING (Y) YES (N) NO	THICKNESS PLANER MOTOR	COMES WITH STAND (Y) YES (N) NO	WEIGHT (LBS.)	COUNTRY OF ORIGIN (5)	LIST PRICE	SELLING PRICE (6)		
AMT	4490	15 x 6	1/8	I, TEFC	2	220	B, C, G	2	16/20	73/58	3	S	ST	T4	CI	N	10 yrs.	1 yr.	Y	446	T	\$1,050	\$ 990*
BELSAW	985-5	12 3/8 x 6 1/4	3/16	I, TEFC	5	220	B, C	2	12/20	94/56	3	J	ST	S	CI	Y	1 yr.	1 yr.	Y	382	U	1,599	1,199*
BRIDGEWOOD	BW-15P	15 x 6	3/16	I, TEFC	3	220	B, C, G	2	16/20	70/56	3	S	ST	T4	CI	N	1 yr.	1 yr.	Y	450	T	1,199	895*
	BW-20P	20 x 8	3/16	I, TEFC	3	220	B, C, G	2	16/20	104/83	4	S	ST	T4	CI	N	1 yr.	1 yr.	Y	771	T	1,795	1,295*
DELTA	22-540	12 x 6	1/8	U	15 amps.	110	B, C, G	1	26	51	2	S	ST	SS4	SS	N	2 yrs.	2 yrs.	N	68	T	547	400
	22-661	13 x 5.9	1/8	I, TEFC	2	220	B, C, G	1	18 1/2	82	3	J	ST	T4	CI	N	2 yrs.	2 yrs.	Y	285	B	1,436	1,150
GRIZZLY	G1017	12 x 5	1/8	U	16 amps.	110	B, C, G	1	26	55	2	J	ST	SS4	SS	N	90 days	1 yr.	N	73	T	-	385*
	G1021	15 x 6	1/8	I, TEFC	2	220	B, C, G	2	16/20	70/56	3	S	ST	T4	CI	N	90 days	1 yr.	Y	450	T	-	735*
	G1033	20 x 8	3/16	I, TEFC	3	220	B, C, G	2	16/20	104/83	4	S	ST	T4	CI	N	90 days	1 yr.	Y	840	T	-	1,295*
HITACHI	P12R	12 x 6 5/8	3/32	U	15 amps.	110	B, C, G	1	26	72	2	S	ST	T4	NS	N	1 yr.	1 yr.	N	62	J	1,361	620
JET	JWP-15H0	15 x 6	1/8	I, TEFC	3	220	B, C, G	2	16/20	70/56	3	J	ST	T4	CI	N	2 yrs.	2 yrs.	Y	480	T	1,570	1,130
LOBO	WP0015	15 x 6	1/8	I, TEFC	3	220	B, C, G	2	16/20	70/56	3	S	ST	T4	CI	N	1 yr.	1 yr.	Y	520	T	-	829*
MAKITA	2012	12 x 6	3/32	U	12 amps.	110	B, C	1	26	51	2	self-aligning	A	S	SS	N	1 yr.	1 yr.	N	53	J	913	510
RBI	812	12 1/4 x 8	3/16	I, TEFC	2	220	B	1	11	88	2	J	ST	S	ST	Y	3 yrs.	1 yr.	Y	216	U	1,299	899*
	612	12 3/8 x 6 3/4	3/16	I, TEFC	3	220	B	2	11/33	94/32	3	J	ST	S	CI	Y	3 yrs.	1 yr.	Y	289	U	1,599	1,149*
	820	20 1/8 x 8	5/16	I, TEFC	5	220	B	2	11/32	93/31	3	J	ST	S	ST	Y	3 yrs.	1 yr.	Y	565	U	2,496	1,749*
RELIANT	DD37	15 x 6	1/8	I, TEFC	3	220	B, C, G	2	16.5/20	70/56	3	J	ST	T4	CI	N	1 yr.	1 yr.	Y	460	T	-	995*
RYOBI	AP10	10 x 5	1/8	U	13 amps.	110	B, C, G	1	26	51	2	S	ST	S	SS	N	1 yr.	1 yr.	N	58	J	794	380
SEARS	23373	12 1/2 x 6	3/32	U	14 amps.	110	B, C	1	26	51	2	S	ST	S	A	N	1 yr.	1 yr.	N	75	T	-	500
SHOPSMITH	555082	12 x 4	1/8	I, TEFC	1 3/4	110	B	V	7-20	72-205	3	J	ST	A	CI	N	1 yr.	1 yr.	Y	151	U	-	999
TRANSPOWER	AP850	15 1/4 x 8	3/16	I, TEFC	3	220	B	2	16/20	94/56	3	S	ST	T4	CI	N	2 yrs.	1 yr.	Y	600	T	-	725*
WILLIAMS & HUSSEY	W7S	7 x 8	1/4	I, TEFC	2	110/220	B, C, G	1	15	78	2	self-aligning	ST	T2	CI	Y	5 yrs.	1 yr.	Y	220	U	1,587	1,387*
WOODMASTER	712	12 1/4 x 6 3/4	3/16	I, TEFC	5	220	B	V	0-16	70-1000	3	J	ST	S	CI	Y	1 yr.	1 yr.	Y	300	U	1,667	1,199*
	718	18 1/2 x 6 3/4	3/16	I, TEFC	5	220	B	V	0-16	70-1000	3	J	ST	S	CI	Y	1 yr.	1 yr.	Y	420	U	2,302	1,699*

NOTES:

- (I) Induction (TEFC) Totally enclosed, fan-cooled (U) Universal
- (B) Belt (C) Chain (G) Gear
- (V) Variable

- (A) Aluminum (C) Cast iron (NS) Nickel-plated steel (S) Sheet steel (SS) Stainless steel (SS4) Solid steel, 4 post (ST) Steel (T2) Tubular steel, 2 post (T4) Tubular steel, 4 post

- (B) Brazil (J) Japan (T) Taiwan (U) United States
- Selling prices based on advertisements, catalogs, and dealer inquiries at time of chart's production. (*) Plus shipping

SANDING-SUPPLY

6 SMOOTH SOLUTIONS FOR YOUR SHOP

Looking for that single location where you can store all of your sanding supplies? This *WOOD*® magazine original, featuring a half-dozen easy-to-build projects, may be just the ticket. It includes holders for belts, sanding discs and accessories, stick sanders and strips, hand sanders, and rolls of adhesive-backed sandpaper.

GUIDE TO OUR 6 GREAT ORGANIZERS

- 1 Sanding-stick and sandpaper-strip organizer
- 2 5" sanding-disc holder
- 3 Hand-sander rack and tote
- 4 Disc-sander center
- 5 Roll-sandpaper dispenser
- 6 Belt-sander belt divider

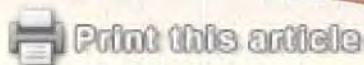


Ordering Information

For our center, we used mostly 3M products, which you can find at home centers, hardware stores, contractor-supply outlets, and through woodworking mail-order catalogs. Or, order them from:

Puckett Electric
841 11th Street
Des Moines, IA
50309

Call 800/544-4189 or
515/244-4189 to order.

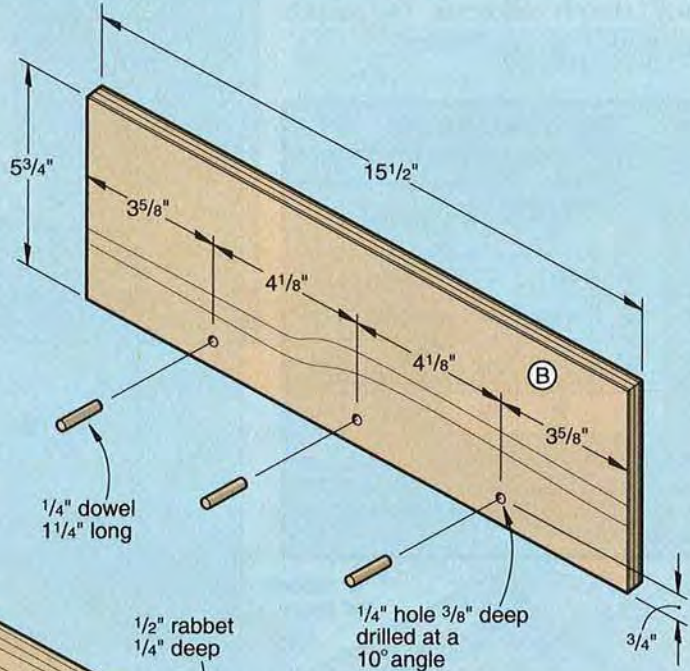
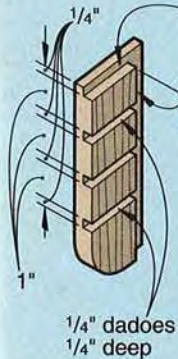


ORGANIZER

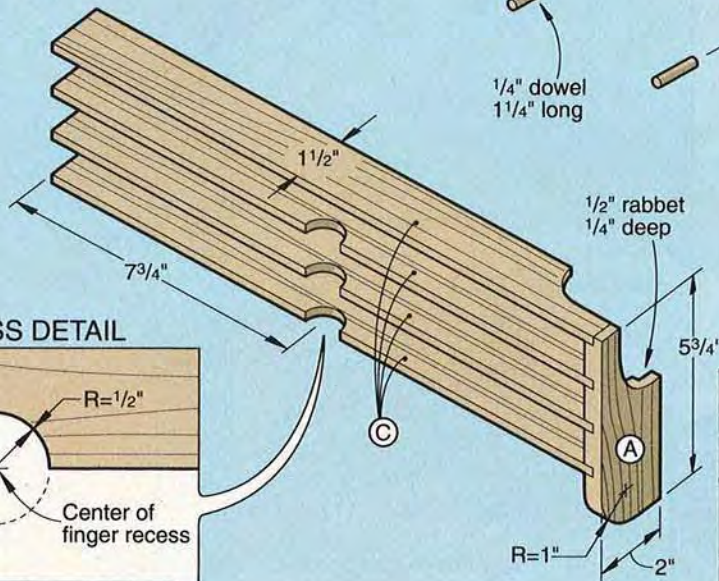
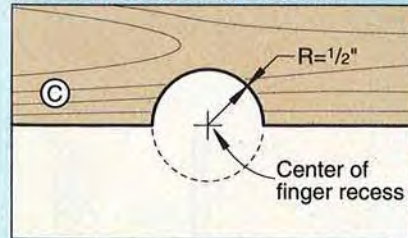
SANDING-STICK AND SANDPAPER-STRIP ORGANIZER

When that handcrafted project requires precision sanding, this trio of sanding sticks and adhesive-backed sandpaper strips perform admirably. Build the solid-maple organizer to divide the coarse-, medium-, and fine-grit sandpaper strips, using the drawing and Bill of Materials below right. Then, refer to the full-sized pattern to make the contour-handled sticks.

Continued



FINGER RECESS DETAIL



Bill of Materials SANDING-STICK AND PAPER-STRIP ORGANIZER

Part	Finished Size			Material	Qty.
	T	W	L		
A	1/2"	2"	5 3/4"	maple	2
B	1/2"	5 3/4"	15 1/2"	birch plywood	1
C	1/4"	1 1/2"	15 1/2"	maple	4
D	1/4"	1 1/2"	20"	maple	3

Supplies: 3M adhesive-backed 1 1/2 x 14 5/8" sandpaper strips; fine, cat. no. 9125; medium, cat. no. 9126; coarse, cat. no. 9127; approximately \$3.50 per pack of 5. 1/4" birch dowel.

Total length=20"

1 1/2"

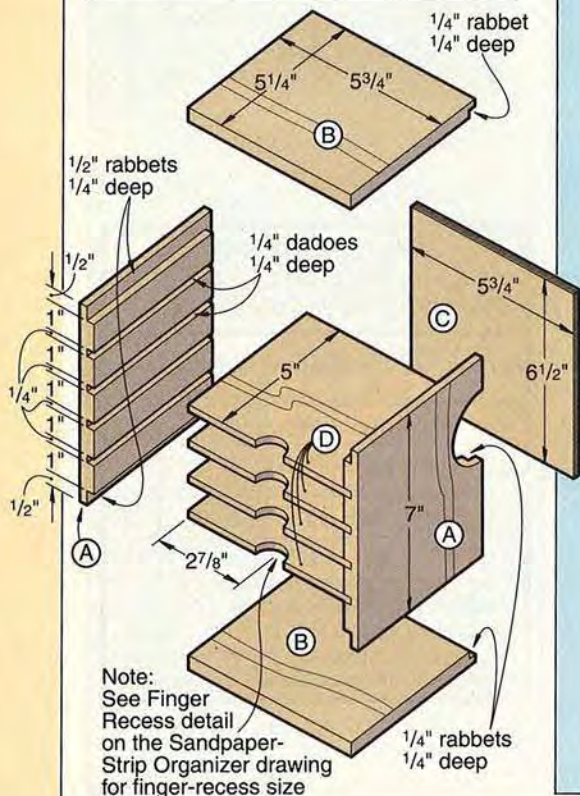
2 5" SANDING-DISC HOLDER

Adhered to a shanked disc pad and powered by your portable drill, a sanding disc allows you to sand contours with minimum effort. The discs press on and peel off, making for quick changes to the next grit. For larger sized discs, simply increase the depth and width of the holder.

Bill of Materials 5" DISC-SANDER HOLDER

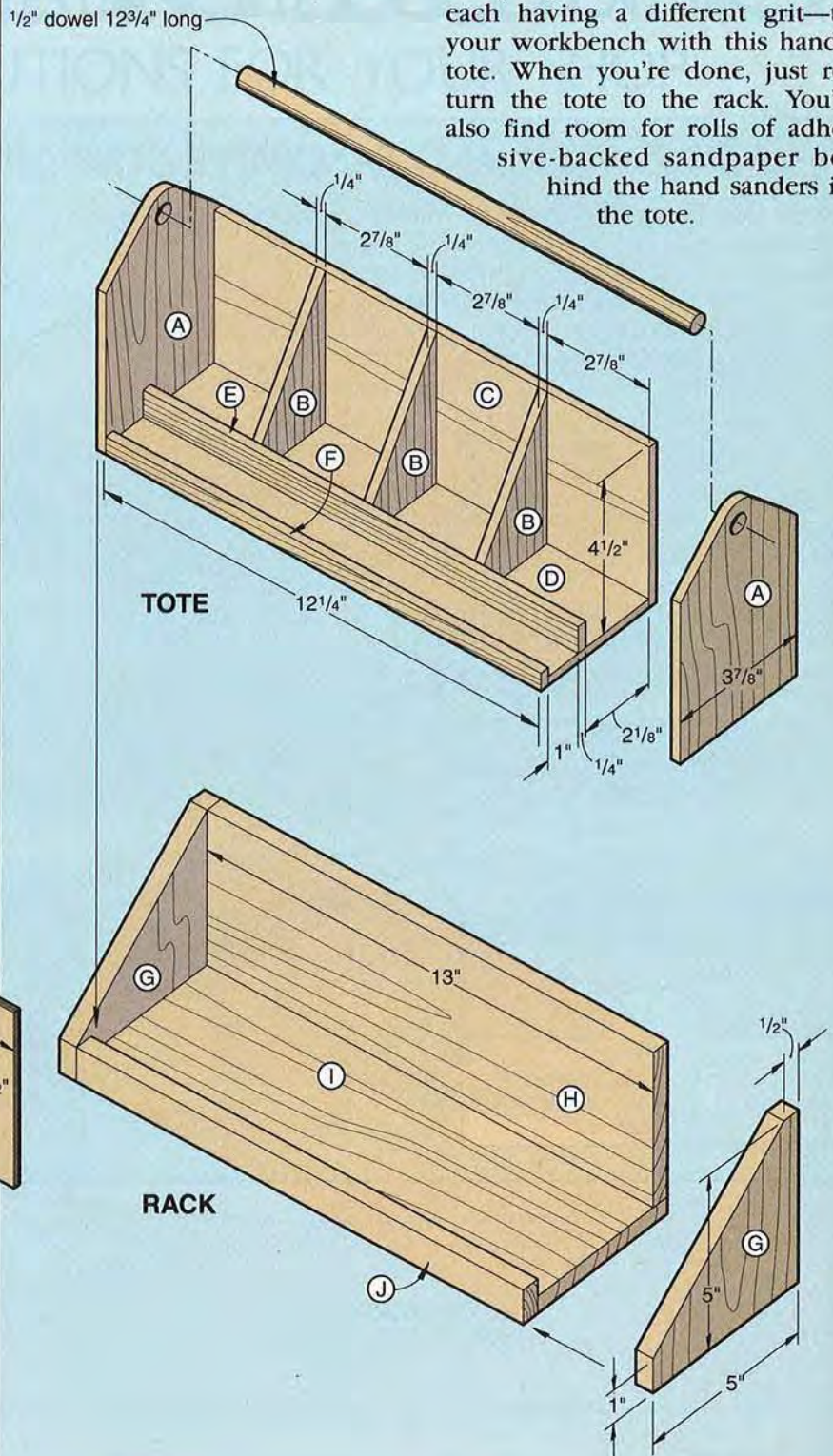
Part	Finished Size			Material	Qty.
	T	W	L		
A	1/2"	5 1/4"	7"	maple	2
B	1/2"	5 1/4"	5 3/4"	maple	2
C	1/4"	5 3/4"	6 1/2"	birch plywood	1
D	1/4"	5"	5 3/4"	maple	4

Supplies: 3M adhesive-backed 5" discs; fine grit, cat. no. 9170; medium grit, cat. no. 9171; coarse grit, cat. no. 9172; Approximately \$2.50 per pack of 5.



3 HAND-SANDER TOTE AND RACK

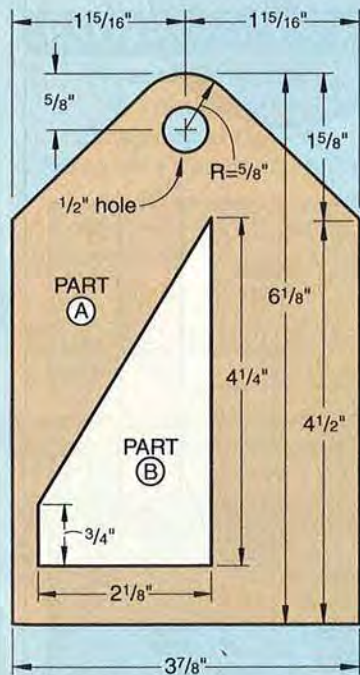
Carry a quartet of hand sanders—each having a different grit—to your workbench with this handy tote. When you're done, just return the tote to the rack. You'll also find room for rolls of adhesive-backed sandpaper behind the hand sanders in the tote.



Bill of Materials HAND-SANDER TOTE AND RACK

Part	Finished Size			Material	Qty.
	T	W	L		
TOTE					
A	1/4"	3 7/8"	6 1/8"	maple	2
B	1/4"	2 1/8"	4 1/4"	maple	3
C	1/4"	4 1/2"	12 1/4"	maple	1
D	1/4"	3 3/8"	12 1/4"	maple	1
E	1/4"	3/4"	12 1/4"	maple	1
F	1/4"	1/2"	12 1/4"	maple	1
TOTE RACK					
G	1/2"	5"	5"	maple	2
H	1/2"	4 1/2"	13"	maple	1
I	1/2"	4 1/2"	13"	maple	1
J	1/2"	1"	13"	maple	1

Supplies: 3M Hand Ease sander, cat. no. 45204; approximately \$7. Sandpaper roll refills; very fine 2 1/2 x 90", cat. no. 10124; fine 2 1/2 x 80", cat. no. 10125; medium 2 1/2 x 55, cat. no. 10126; approximately \$2.50 per roll.



PARTS VIEWS

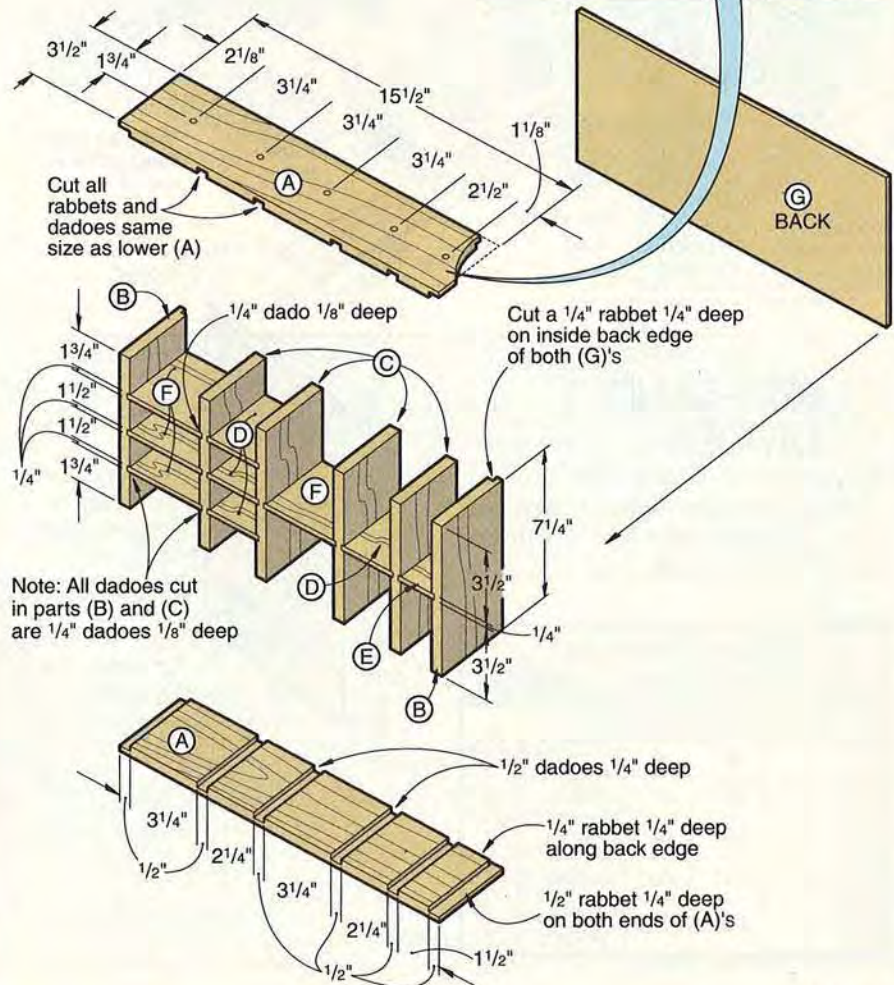
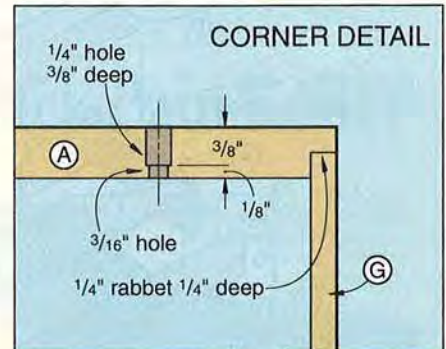
4 DISC-SANDER CENTER

Bill of Materials DISC-SANDER CENTER

Part	Finished Size			Material	Qty.
	T	W	L		
A	1/2"	3 1/2"	15 1/2"	maple	2
B	1/2"	3 1/2"	7 1/4"	maple	2
C	1/2"	3 1/4"	7 1/4"	maple	4
D	1/4"	3 1/4"	2 1/2"	maple	4
E	1/4"	3 1/4"	1 3/4"	maple	1
F	1/4"	3 1/4"	3 1/2"	maple	4
G	1/4"	7 1/4"	15"	birch plywood	1

Supplies: disc-sanding kits available through most woodworking mail-order suppliers. We got ours from Industrial Abrasives Co., 642 N. 8th St., Box 14955, Reading, PA, 19612.

You can't beat small-diameter disc sanders for sanding the contours of shapely projects and the inside and outside of turned bowls. Here's a slick way to get your sanding-adhesive drill attachments and various discs in order and divided by grit.



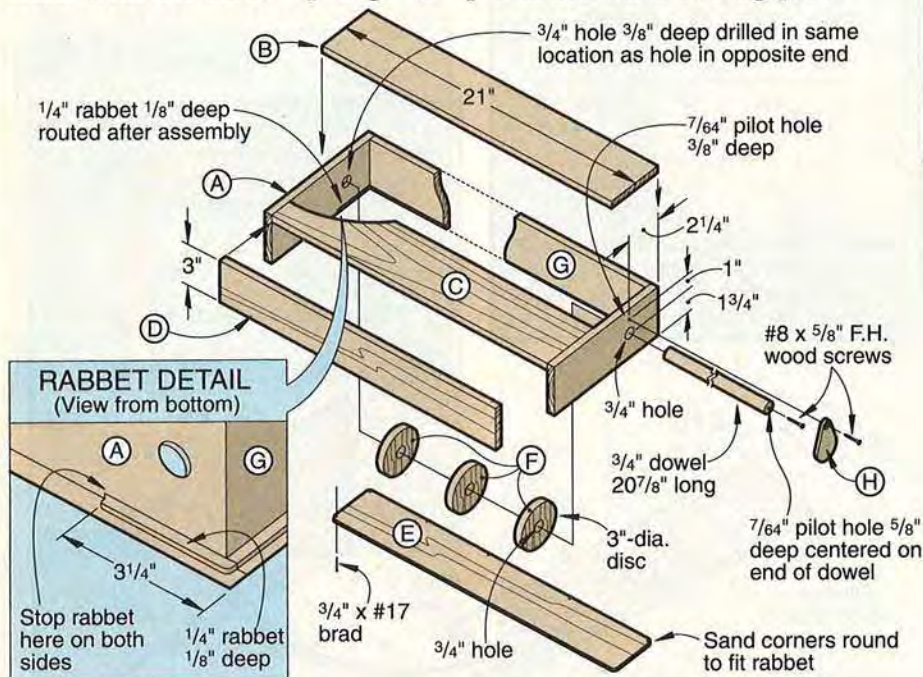
Continued

5 ROLL-SANDPAPER DISPENSER

This handy dispenser lets you store up to four 4½"-wide rolls of sandpaper. It loads from the bottom, and is dimensioned to let you tear off 4" pieces, perfect for the palm sander.

To remove a needed piece, pull the end of the sandpaper roll flush with the front top edge of

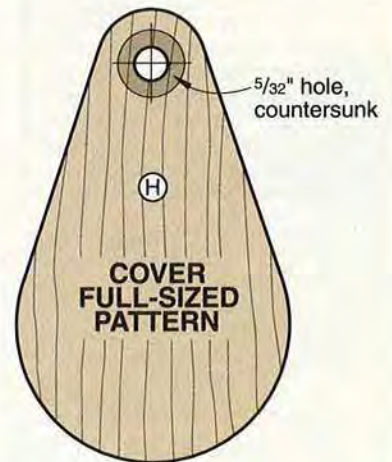
part C. Fold a crease in the sandpaper along the back edge of part C (4" from the front). Pull the paper out until the crease aligns with the front edge of C. Adhere the paper back to part C so the crease is flush with the front edge. Just pull down on the paper to tear-off a 4"-long piece.



Bill of Materials ROLL-PAPER DISPENSER

Part	Finished Size			Material	Qty.
	T	W	L		
A	½"	3½"	9"	maple	2
B	½"	4½"	21"	maple	1
C	½"	4"	20"	maple	1
D	½"	3"	20"	maple	1
E	⅛"	3"	20½"	maple	1
F	½"	3" diam.		maple	3
G	½"	3½"	20"	maple	1
H	¼"	1⅝"	2¼"	maple	1

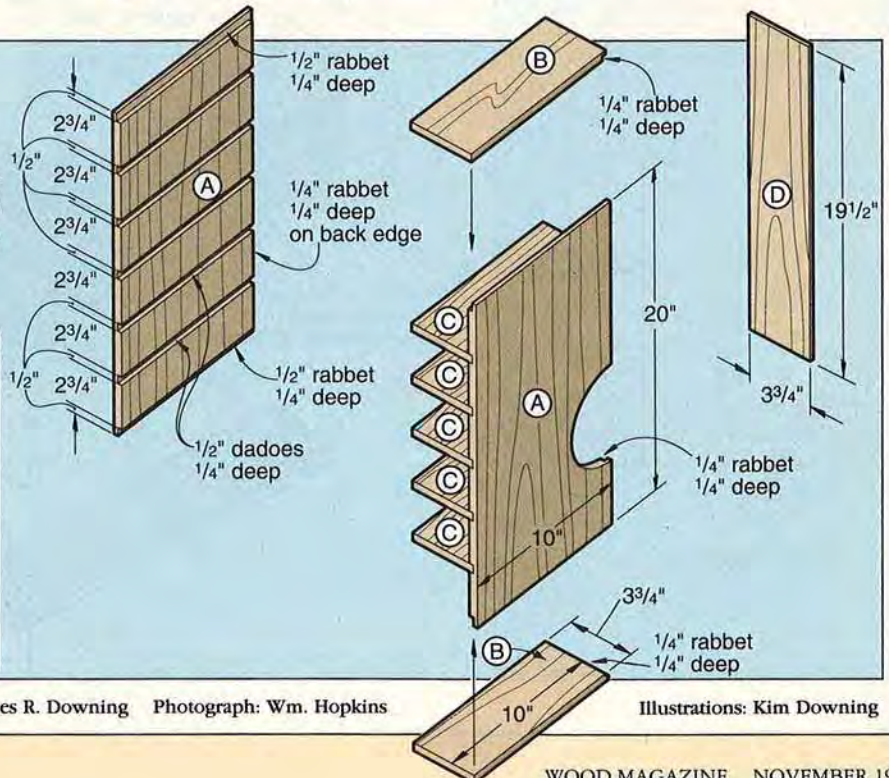
Supplies: 3M adhesive-backed sandpaper rolls 4½"-wide by 10 yards long, 80-grit, cat. no. 00395; 100-grit, 00396; 120-grit, 00397; 220-grit, 00399; approximately \$12 to \$13 per roll. ¾" dowel, #8 x ⅝" flathead wood screws, ¾" x #17 brads.



6 BELT-SANDER DIVIDER

We sized our divider for holding 3"-wide sanding belts. For wider belts, just increase the width of pieces B and C.

Bill of Materials BELT-SANDER BELT DIVIDER					
Part	Finished Size			Material	Qty.
	T	W	L		
A	½"	10"	20"	maple	2
B	½"	3¾"	10"	maple	2
C	½"	3¾"	9¾"	maple	5
D	¼"	3¾"	19½"	birch plywood	1



Ogee Foot Mouldings



End your frustrations!

- Various styles, heights, woods
 - No minimum • Affordable
- Fax/phone 1-800-628-0428

Blue Ridge Moulding

PO Box 127, Hinton Va. 22831-0127

WARREN'S FINEST COMBINATION WHITTLERS/CARVERS KIT IN CUSTOM REDWOOD BOX

1992 WOOD SHOP SPECIAL #COMBI-TCE

\$89.95
P.Pd. (USA)



- CONTENTS:
(8) Gouges*
(6) Small Blades*
(1) Large Blade*
*All Honed Sharp
(2) Handles (interchangeable):
(1) ea. Walnut (Palm), and Rosewood.
(2) Sharpening Blocks:
(1) ea. Abrasive, and Leather.

1992 Warren Woodcarving Tool & Supply Catalog. FREE WITH ORDER. Catalog only, send \$1.00. *N.Y. State Residents Add State Tax.

Designed for wood-carvers who appreciate fine quality tools... (Made in USA) Est. 1927. Plus Free Pattern and Instruction Booklet.
Send Check or Money Order to:
Warren Tool Co., Inc.
2209-1 Rt. 96, Rhinebeck, NY 12572
Tel. (914) 876-7817 • **ISA only** • CDS UPS Available
Canada and Foreign Please send Money Order.
Canada Add \$3.00. Foreign Orders Add \$5.00 shipping fee.

18G. BRAD NAILER

FREE CASE
FREE 4M BRADS
1/4" TO 1 1/4"

\$79



NARROW CROWN STAPLER TO 1"

FREE CASE

\$99



16G. BRADDER TO 2"

FREE CASE

\$179



FINISHING NAILER TO 2 1/2"

FREE CASE

\$229



STICK NAILER KIT 2" TO 3 1/4"

FREE CASE

\$289



MAIL-IN COUPON

TECH TOOLS
120 DOUBLE OAK DR
DOUBLE OAK, TEXAS
75067

1-800-TECH569

- 18G BRADDER KIT
 NARROW CROWN STAPLER KIT
 16G BRADDER KIT
 2 1/2" FINISH NAILER KIT
 STICK NAILER
- INCLUDE CHECK OR MONEY ORDER

Air Support = Back Pain Relief



*Research shows 94% of back pain sufferers report Select Comfort gives them the back support they need to get a better night's sleep.

• Adjust Firmness to Fit Your Exact Needs



Select Comfort provides proper back support and contours to your body, distributing weight evenly.



Innerspring mattresses create pressure points and uneven support.



Waterbeds rely on displacement and can cause a "hammock effect," bending your spine unnaturally.

• Unique air-cushion design contours to your body, providing superior back support and comfort.

Variable Firmness=Great Sleep.
Your Select Comfort conforms to your body's natural shape so your back muscles don't strain to hold your spine straight. Because air support is the closest thing to floating, you'll wake up rested and ready for the day.

Discover why 96% of Select Comfort users recommend it to family and friends.
"I am a doctor and often come home exhausted. This mattress is the most comfortable I've tried."¹

Dr. Connie Horn, M.D.
Clarksville, Ohio.

Call or Write for a
FREE BROCHURE AND VIDEO
1-800-831-1211

YES! Please send me a FREE Information Packet & Video.

Name _____
Address _____
City _____ State _____ Zip _____
Evening Phone (____) _____

Select Comfort
CORPORATION

9301 75th Ave. N. Brooklyn Park, MN 55428
1-800-831-1211

© Select Comfort 1992

Dept. 683

Quality

EXOTIC LUMBER

Figured Domestic
Turning Wood
Exceptional Quality
Personal Friendly Service

Whether you are a
Beginner or Professional,
We welcome your inquiries

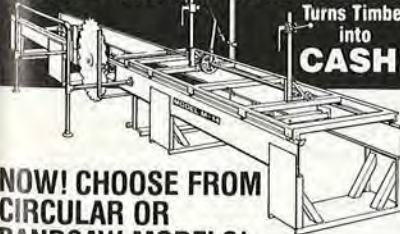
Call or Write.

BereaHardWoods.co.

125 JACQUELINE DRIVE • BEREA, OHIO 44017
216-243-4452

ONE-MAN SAWMILL

Turns Timber
into
CASH!



**NOW! CHOOSE FROM
CIRCULAR OR
BANDSAW MODELS!**

The Sawmill goes right to the trees and turns out smooth, true-cut lumber - even beginners get excellent results. Just one man (no crew needed) can easily cut enough on weekends to save hundreds of dollars over high lumberyard prices. Use as little as 25 horsepower. Factory-Direct selling keeps price low, and convenient time payments may be arranged.

PHONE TOLL FREE 1-800-942-4406 Ext. TW4
TIMBERKING, INC. DEPT TW4
2908 OAK ST., KANSAS CITY, MO 64108

Unique Support System.

Select Comfort's unique air support system lets you control the feel and firmness of your bed - simply by pushing a button. Your mattress can be firmer than the firmest innerspring or softer than the softest featherbed... helping you sleep more comfortably, reducing back pain and muscle aches, and providing true support. Change the firmness whenever you like to meet your exact preference.

No Risk 90 Night Trial.

We are so confident that you will find Select Comfort to be the most comfortable mattress money can buy that we offer our "Better Night's Sleep Guarantee." Take 90 nights to sleep on a Select Comfort. If you aren't completely satisfied, return it for a full refund.



HOW TO CONTACT TOOL MAKERS

Here's a rundown of addresses and phone numbers for the manufacturers represented in the charts on *pages 64-79*.

AEG

(Distributed by Atlas Copco)
P.O. Box 6003
New London, CT 06320-1777
800/243-0870
203/447-4600

American Machine & Tool (AMT)

4th and Spring
Royersford, PA 19468
215/948-0400

Belsaw

4111 Central Avenue N.E.
Minneapolis, MN 55421
612/781-2345

Black & Decker

10 North Park Dr.
P.O. Box 798
Hunt Valley, MD 21030
800/762-6672 or 410/527-7000

Bosch Power Tool Corp.

100 Bosch Blvd.
New Bern, NC 28562-6997
(see Yellow Pages for your nearest dealer)

Bridgewood

(Distributed by Wilke Machinery)
3230 Susquehanna Trail
York, PA 17402
717/764-5000

Delta

246 Alpha Dr.
Pittsburgh, PA 15238
800/438-2486
412/963-2400

DeWalt

626 Hanover Pike
P.O. Box 158
Hampstead, MD 21074
800/433-9258

Dremel

4915 21st St.
Racine, WI 53406
414/554-1390

Elu

(see Black & Decker listing)

Excalibur Machine & Tool Co.

29 Passmore Ave. No. 6
Scarborough, Ont., Canada M1V 3H5
800/387-9789
416/291-8190

Freud

P.O. Box 7187
218 Feld Ave.
High Point, NC 27264
919/434-8300

General Manufacturing

835 Cherrier St.
Drummondville, Quebec, Canada J2B 5A8
819/472-1161

Grizzly

(east of Mississippi River)
2406 Reach Rd.
Williamsport, PA 17701
800/523-4777

(west of Mississippi River)
P.O. Box 2069
Bellingham, WA 98227
800/541-5537

Hegner

(Distributed by
Advanced Machinery Imports)
P.O. Box 312
New Castle, DE 19720
800/648-4264

Hitachi

4487 E. Park Drive
Norcross, GA 30093
404/925-1774

Jet

P.O. Box 1477
Tacoma, WA 98401
206/572-5000

Lobo

9034 Bermudez St.
Pico Rivera, CA 90660
310/949-3747

Makita USA

14930 Northam St.
La Mirada, CA 90638-5753
714/522-8088

Milwaukee Electric Tool

13135 W. Lisbon Rd.
Brookfield, WI 53005
414/783-8311

Panasonic

2 Panasonic Way-4A3
Secaucus, NJ 07094
201/348-5334

Penn State Industries

2850 Comly Rd.
Philadelphia, PA 19154
800/288-7297

Porter-Cable

4825 Highway 45 N.
P.O. Box 2468
Jackson, TN, 38302-2468
901/668-8600

Powermatic

Morrison Rd.
McMinnville, TN 37110
615/473-5551

RB Industries (RBI)

1801 Vine St.
P.O. Box 369
Harrisonville, MO 64701
800/487-2623
816/884-3534

Reliant

(Distributed by Trend-Lines)
375 Beacham St.
Chelsea, MA 02150
800/767-9999

Ryobi

5201 Pearman Dairy Rd.
P.O. Box 1207
Anderson, SC 29622-1207
800/323-4615
803/226-6511

Sakura

(Distributed by Amana Tool Corp.)
120 Carolyn Blvd.
Farmingdale, NY 11735
800/445-0077
516/752-1300

Sears

(call or visit your local Sears store or
call a Sears telecatalog center)

Shopsmith

3931 Image Drive
Dayton, OH 45414
800/762-7555

Skil

Marketing Communications
4300 W. Peterson
Chicago, IL 60646
312/286-7330

Transpower

322 Paseo Sonrisa
Walnut, CA 91789
714/594-0780

Williams & Hussey

P.O. Box 1149
Wilton NH 03086
800/258-1380
603/654-6828

Woodmaster

1431 N. Topping
Kansas City, MO 64120
800/821-6651
816/483-0078

#1000 #2000

ROLL-A-WAY TOOL CABINETS.
 #1000 Has 10 drawers & 2 doors 18x31x32-in high. #2000 has 14 drawers 24x36x36-in high. Send \$12.95 for plans for #1000. \$15.95 for plans for #2000 to:

John's Wood Products
 P.O. Box 354 Prospect, OH 43342-0354

WOODCRAFT BANDS, INC.
Specializing in Bandsaw Blades for the Hobbist and Professional Craftsman

OUR BLADES PROVIDE YOU A SAVING OF 30% TO 50% OFF MAJOR BRAND BLADES!

BLADE SATISFACTION GUARANTEED!

For orders and price information call or write
WOODCRAFT BANDS, INC.
 Rt. 4, Box 394E - Bamboo Road
 Boone, NC 28607
 Telephone: 704/262-1139

High Tech Engraving

See what everyone has been talking about! Engrave on: Wood, Glass, Metal, Stone, Ceramics, Eggshell

- Precise Detail
- 400,000 RPM
- No Vibration
- No heat buildup
- You don't have to be an artist when you use our exclusive stenciling system.

1-800-755-0261 or 414-251-0981
 SCM Enterprise • W16N11318 Western Avenue, Germantown, WI 53022

WOODWORKERS
 Save on Wood - Tools - Supplies!

OVER 4000 ITEMS

Send for New 1993 116 Page Money Saving CATALOG

CRAFTSMAN WOOD SERVICE

Dept. WM1192, 1735 W. Cortland Ct., Addison, IL 60101
 Please enclose \$1.00 to help pay postage and handling.

RIP AW

The Portable Sawmill.

The "affordable portable" one man band sawmill. Weighs only 45 lbs. Cuts 20" diameter logs into lumber. Minimum 1/8" to maximum 9" thickness.

Write or call for free brochure.

Better Built CORPORATION
 (508) 657-5636
 845 Woburn Street, Dept. W, Wilmington, MA 01887

BRANDING IRON

Your Satisfaction Guaranteed

- Convenient torch heating
- Solid Brass—lasts years
- Special wording available
- Electric Models Start at \$48.00
- 2nd line—20 letters/spaces max.
- 1/4" letters
- Distinctive Border
- Add \$3.50 shipping and handling
- OH res. add 6% sales tax

\$28.00

Order by mail from:
BrandMark TO ORDER CALL TOLL FREE
 462 Carthage Dr., Dept. W11-2 1-800-323-2570
 Beavercreek, OH 45434-5865
 (513) 426-6843 8:00-5:00 EASTERN TIME

Organize and Protect your copies of WOOD®

Now there's an easy way to keep copies of WOOD® protected, organized, and close at hand when you want to reread an article. Designed exclusively for WOOD®, these custom-made titled slipcases and binders are sized to hold 12 issues. Each binder and slipcase is manufactured from reinforced board covered with durable leather-like material in spice brown. WOOD® is hot-stamped in gold on the spine of each. We include free personalization foil if you care to add indexing by year. Slipcases are V-notched for easy access; binders have special spring mechanism to hold individual rods which easily snap in.

SLIPCASE

BINDER

Quantity	Slipcases	Binders
One	\$ 7.95	\$ 9.95
Three	\$21.95	\$27.95
Six	\$39.95	\$52.95

CREDIT CARD ORDERS CALL TOLL FREE 1-800-825-6690

Add \$1 per case/binder postage and handling. Outside USA add \$2.50 per case/binder. (U.S. funds only.) Pennsylvania residents, add 7% sales tax.

Order Form
 Please send me _____ slipcases; _____ binders for WOOD® Magazine.
 Enclosed is my check for \$ _____
 Charge my purchase (Minimum \$15) to:
 American Express MasterCard VISA
 Account No. _____
 Signature _____
 Exp. Date _____
 Send my order to: (Please Print)
 Name _____
 Address _____
 (No P.O. Box Numbers Please)
 City _____ State _____ Zip _____
 Mail this order form to: **WOOD® Magazine**
 Jesse Jones Industries
 Department WD
 499 East Erie Avenue
 Philadelphia, PA 19134

SATISFACTION GUARANTEED

STORAGE BUILDINGS WORKSHOPS & MORE MANUFACTURER DIRECT LIMITED OFFER

EASY DO-IT-YOURSELF CONSTRUCTION PACKAGES INCLUDE STEEL FRAMES, SHEETING AND HARDWARE

30 x 36 Value \$6,181 NOW \$3,169	36 x 48 Value \$9,763 NOW \$5,016
40 x 60 Value \$13,942 NOW \$7,293	46 x 72 Value \$18,875 NOW \$10,316

Some Other Sizes Available

MIRACLETRUSS

1-800-843-8275
FAX 612-544-1835

Made in America WM

Unicorn Night Light Plan

This unicorn night light will take the "scare" out of the dark nights. Patterns drawn FULL SIZE. Approx. 12" high. Order hdw. parts below.
 #W878 Unicorn Night Light Plan **\$3.99/EA**

Hardware Parts
 This package contains a candelabra socket, with 6' cord, on/off switch, light bulb, candle tube, candle cup, wood ball, brass carousel tube, fiberglass rod, and plastic eyes. Plan, wood, and paint not included.
 #3324 Unicorn Hdw. Parts **\$10.99/PKG**

HOW TO ORDER: List quantity, part number, item, price & total of order. Include \$4.95 shipping & handling per order. MN residents add 6.5% sales tax. Mail check or money order. Credit card customers call TOLL FREE 1-800-441-9870.

MEISEL HARDWARE SPECIALTIES
 P.O. BOX 70 W 11 MOUND, MN 55364

THEY LOOK AND FEEL TERRIFIC HANDS-ON HANDLES

Maybe the handle on a gouge feels a bit too small, or too short. Perhaps you'd like to put matching handles on your tools, or replace a damaged one. Whatever the case, here's the answer: turn your own. There's nothing to it, and you'll have a grip you won't gripe about.

Here's what you'll need:

Stock

2×2" turning square; length depends on the tool. See *below*.

Lathe tools

Spur drive center, revolving cone tail center, 1/2" spindle gouge, and 3/4" skew chisel.

Lathe speeds

Roughing: 600–900 rpm.

Finishing: 1,200–1,500 rpm.

Sizing up the job at hand

Start with stock 2" longer than the finished handle. Determine the handle length using these guidelines:

- Handles 14–16" long give needed leverage and stability to large or heavy tools, such as bowl gouges and heavy scrapers.
- Handles 10–12" long fit most standard tools, such as gouges, chisels, parting tools, and scrapers.
- Handles 6–8" long suit smaller tools or files.

Turning your custom handle

Mount the turning square with a revolving cone tail center and a spur drive center. Rough it to 1 3/4" diameter.

At the headstock end, cut a tenon 1/2" long that fits snugly into the center hole of your drill-press table. Remove the turning after making index marks on it and the drive center for remounting.

Center the drill-press chuck over the table hole. Stand the tenon in the hole, grip the blank with a clamp, and drill a hole 1/32" smaller than the tool-shank diameter, 4" deep in the turning's end.

Remount the turning. Shape the handle to the profile shown or one of your own. Establish a comfortable diameter in the grip area—usually 1" to 1 1/2".

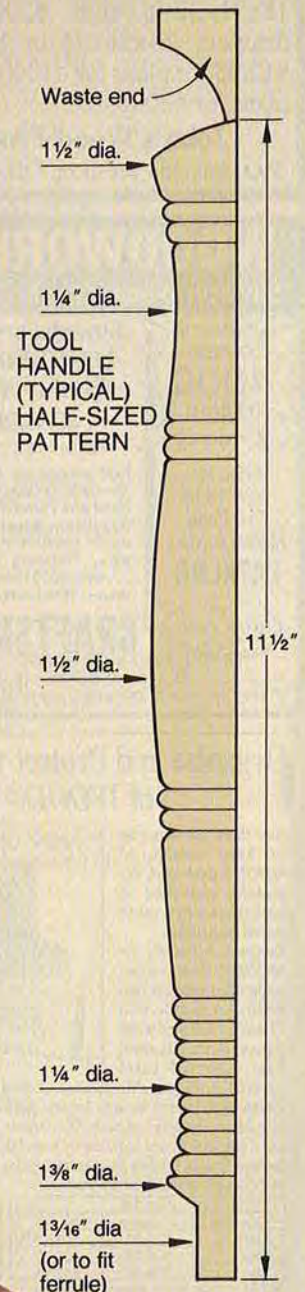
For a ferrule, cut and deburr a 3/4" length of 3/4" copper pipe (1/2" pipe on smaller handles). Form a 1"-long tenon on the drilled end that fits the pipe.

Now, turn the waste at the butt end to about 1/8" diameter where it joins the handle. Sand the handle as necessary. Remove the turning, break or saw off the waste, and sand the end.


Drive the ferrule on, and sand the tenon flush. Plane a flat on the handle to keep the tool from rolling around.

Mark the tool shank 2 1/2" to 3" from the end on larger tools, about 2" on smaller ones. Start the shank into the handle, and then rap the handle butt sharply on the workbench to drive

the shank in. Continue until you've covered the shank mark. ♣



Project Design: Rus Hurt
Photograph: John Hetherington
Illustration: Mike Henry

 Print this article

KNIFEMAKING PROJECTS

APACHE HUNTER KIT

21⁹⁵

+ 5.95 Shipping

PRE-SHAPED BLADES and step-by-step instructions make knifemaking fun and easy! Material and tool lists are included with each project kit. Our 68-page catalog of hard to find tools, polishing supplies and other unique items includes more than 85 PRE-SHAPED BLADES, handle materials, and other knifemaking supplies. Order today and we will include our KNIFEMAKING PROJECTS booklet FREE! Send \$3.00 for catalog and booklet to:

JANTZ SUPPLY

309 W. Main Dept. W Davis, OK 73030

1-800-351-8900

WOOD TOY

- ★ Patterns
- ★ Parts
- ★ Wheels
- ★ Many New Patterns to Choose from.
- ★ Executive toys



SEND \$1.00 FOR NEW CATALOG & RECEIVE COUPON FOR FREE WHEELS & AXLE PEGS.

toys and joys

Box 628W Lynden, Wash. 98264

Van Dyke's

Presents a Catalog

with supplies for upholstery, antique restoration, wood working, caning, brass hardware, carvings and many related trades!

36 Years in Creative Arts & Trades

Many Hard-To-Find Items!

SEND \$1.00 FOR CATALOG TO:
Van Dyke's Restorers
Dept. D55 · Woonsocket, SD 57385



FREE FREIGHT
SAME DAY SHIPPING

Makita

6095DWE

9.6V
Cordless
Driver Drill

with Keyless,
Universal Charger,
Case, & TWO Batteries!

List \$290.

\$139

FREE
Extra Battery!

NEW! 6201DW Hi-Torque 9.6V Cds Driver Drill Kit	\$169
BO5000 5" Random Orbit Sander	\$68
2012 12" Portable Planer w/Blades	\$488
2708 8 1/4" Table Saw w/ Carbide Blade	\$274
LS1030 Special Buy!! 10" Miter Saw	\$209
LS1011 10" Slide Comp. Miter Saw w/Blade	\$439
6170DW 3/8" Cordless Drill w/ Case	\$64

Complete Line at the Right Price!

1-800-262-5482

That's 1-800-2-MAKITA

HOMELUMBER CO.

449 WHITWATER ST., WHITWATER, WI 53190

C.O.D.

Quickest Way to Round Edges

Actual size is 7"x 2"x 1"



At last, a simple hand tool that quickly and precisely rounds over sharp edges! Choice of bodies in Rockmaple or Blackwalnut. Radi-Plane Professional Edge finishing tools. Call 800-326-5415 for dealer nearest you.

Made in the U.S.A.

L.A. Mathers Co.
Stockton, CA

RADI-PLANE

The Japan Woodworker's Catalog is...

loaded with the best tools you can get your hands on. In our catalog you will find a huge selection of Japanese saws, waterstones, chisels, planes, carving tools, cutlery and books. Send \$1.50 for our catalog and supplements during the next two years.

THE JAPAN WOODWORKER
1731 Clement E-21, Alameda, CA 94501
Phone 1-800-537-7820

SAFE • EASY • PRECISE PROFESSIONAL WOOD CARVING



AUTO MACH
by Sugino

Compact. 10,000 vpm oscillating speed. Pressure activated. Operates on ordinary household current. Send for free brochure. Dealers inquiries invited.

\$314⁰⁰

Visa & Mastercard accepted
Sugino Corp.
1700 N. Penny Lane
Schaumburg, IL 60173
(708) 397-9401

ADIRONDACK KITS

LAWN & GARDEN FURNITURE

Build this American Classic with our precut wood parts. Instructions and all hardware included for easy assembly.



Chair . . . **49⁹⁹**

Table . . . **89.99**

S/H **8.50**

SEND CHECK OR MONEY ORDER TO...

MILLER-WISEMAN

974 S. 22nd. St., El Centro, CA 92243
619-337-5943 CA Res. add 7 1/4 %

MUSICAL INSTRUMENT PLANS, KITS & SUPPLIES



Harp, Lyres, Banjos, Guitars, Violins, Mandolins, Hammer Dulcimers, Mountain Dulcimers, Psalteries & more!

CATALOG: \$1.00

MUSICMAKERS KITS, INC.
423 S. Main St. Dept. B9
Stillwater, MN 55082

612-439-9120

BRANDING IRON

For hard and soft wood

\$2900

Plus \$3.00 for shipping and handling

Nbr. residents add correct sales tax

SATISFACTION GUARANTEED
or your money back

- Shipped in one week
- Solid brass head — raised letters
- 1st Line: HAND CRAFTED BY — as above
- 2nd Line: Your choice — 20 characters/spaces max.
- Electric unit available for \$49.00 + \$3.00

CALL TOLL FREE

1-800-826-7606

Order by mail from: **NOVA TOOL CO.**

Free brochure available 12500 Finigan Rd., Dept. B9

P.O. Box 29341, Lincoln, NE 68529



SQUARE DRIVE SCREWS

Simply the Best!

- Square Drive Beats Driver Slippage
- Hardened Steel for Extra Strength
- Deep Thread for Super Grip
- Also Brass and Stainless

Send \$3 for Samples and Catalog



McFEELY'S
SQUARE DRIVE SCREWS

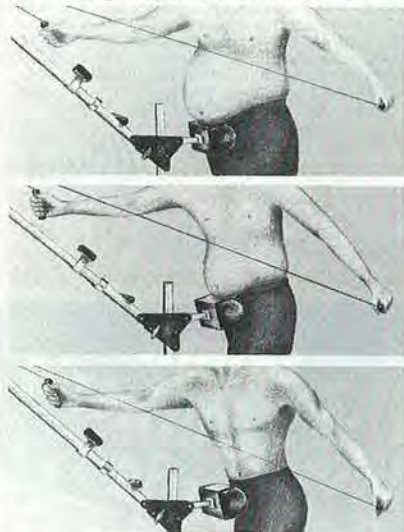
P.O. Box 3 • 712 12th St
Lynchburg • Va • 24505
Toll Free 1-800-443-7937
or FAX (804) 847-7136

FUN • PROFITABLE WOODCRAFT FULL SIZE PATTERNS

- Check the **Packets of Interest to YOU!**
- 200 pattern "Fun Packet" for scroll, band & jigsaws!
- 100 yard ornaments animals, birds, signs, more!
- 40 "Great Gifts" projects for fun and profit.
- 25 fun, profitable "wind-action" whirligigs.
- Show stoppers - 22 craft show top-sellers!
- Enjoyable Country Shelf assortment PLUS options.
- Toy "Airplanes & Helicopters" biplane to jet.
- Thanksgiving yard pilgrims, indian, turkey, more!
- Santa's Reindeer - 33" tall by 28" long, 3 poses.
- Santa and Sleigh - 35" tall by 44" long.
- Yard Santa, snowman, soldier & candle - 3 feet tall.
- Attractive Dutch Windmill - 5 feet tall.

Fast Service • Satisfaction Guaranteed
Send \$8.00 per packet. Pick 3 for only \$18.00
Order By Mail or Fax - MC/Visa - 24 Hour Fax (603) 332-4579
ACCENTS, Dept. MA112, Box 7387, Gonic, NH 03839
WOODCRAFT CATALOG - \$2.00 (Free with order)

The best way to a man's stomach...
NordicTrack.



"The World's Best Aerobic Exerciser."TM

With NordicTrack[®] you can burn more calories in less time than with any other kind of exercise machine – up to 1,100 calories per hour, according to fitness experts.

Meanwhile you can strengthen your heart, tone your muscles and improve your stamina.

NordicTrack duplicates the motion of cross-country skiing, the most efficient and effective way to get exercise.

NordicTrack helps you lose weight & keep it off. Permanently. It is more effective than dieting. And it is less stressful on the body than high-impact sports.

NordicTrack provides a total-body workout.

Unlike most in-home exercisers, NordicTrack works all the major muscle groups including the arms, legs, buttocks, shoulders and yes, stomach.

It's time to change the spare tire.

So what are you waiting for? Call NordicTrack today. And start turning that flabby middle into a flat one.

30 day in-home trial!



Models priced from \$299.95 to \$1,299.95

NordicTrack
A CML Company

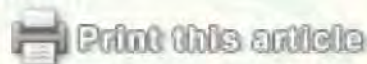
Call or Write for a
FREE VIDEO
& Brochure

1-800-328-5888

ext. 08BK2

Or write: NordicTrack, Dept #08BK2, 141 Jonathan Blvd. N., Chaska, MN 55318
© 1992 NordicTrack, A CML Company • All rights reserved.

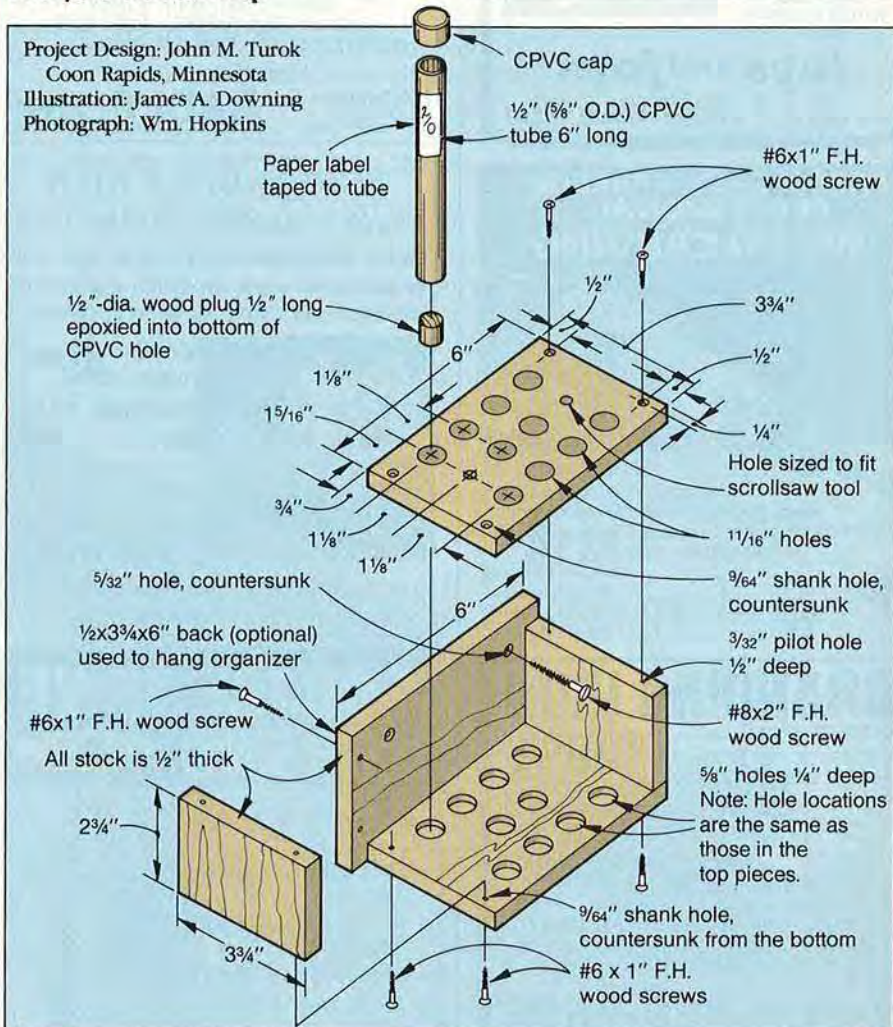
GREAT IDEAS FOR YOUR SHOP



QUICK-AS-A-WINK
SCROLLSAW-BLADE ORGANIZER

Scrollsawers know that laying their hands on the right blade can be tricky and time-consuming, especially if these tiny cutting tools get mixed together. This handy little organizer ends those hassles in a hurry by separating and storing your blades. And all you need to build it is a small amount of scrap stock and some 1/2"-diameter (5/8" O.D.) CPVC pipe and caps.

For still more convenience, drill a few extra holes in the rack top to hold your scrollsaw tools. Consider labeling the tubes for easy reference. You can hang the unit on a wall or set it on a flat surface near your scrollsaw. 🌲



LEARN WOODCARVING



100s of quality hand & power carving tools, kits

books, plus more. Fast friendly service, lowest price & satisfaction guaranteed. Join 1,000's of happy customers, send \$2 for our 76 page color catalog.

Wood Carvers Supply, Inc.

SERVING CARVERS SINCE 1955

P.O. Box 7500-G,
Englewood, FL 34295-7500

Full-Size Professional Plan LIBRARY CHAIR/STEPS



Build this unique reproduction! American Empire in styling, this beautiful combination chair or library steps doubles as extra chair or sturdy steps for reaching shelves. As Chair: 17 1/4" wide, 18" deep, 13 1/2" high. As Steps: 33 1/2" high.

Plan #714\$15.00
(catalog free with order)



CATALOG listing 200 full size professional furniture plans — \$3.00

FURNITURE DESIGNS, INC., Dept. BL112

1827 Elmdale Ave., Glenview, IL 60025
(708) 657-7526

BAND SAW BLADES

Complete Band Saw Blade Line

Scroll Saw Blades • Hand Saws
Circular Saw Blades • Hole Saws
Hack Saws • Sanding Belts
Sanding Disks • Router Bits
Files • Rasps • Scrapers

TO ORDER PHONE OR WRITE TO:

BUCKEYE SAW COMPANY

P.O. Box 46857

Cincinnati, Ohio 45246-0857

Phone: (513) 860-0572

Toll Free: (800) 543-8664

Fax: (513) 860-0578

MasterCard and VISA accepted.

SQUARE DRIVE SCREWS

- OFFERING SIZES 4X1/2" TO 14X3" ZINC PLATED.
- ALSO AVAILABLE IN STAINLESS STEEL, BRASS, AND BLACK ZINC.
- HEAT TREATED FOR STRENGTH.
- DEEP AND FINE THREADS AVAILABLE



Send \$1.00 for Catalogue
FREE SAMPLES



ORDERS MON-FRI 7AM-5PM
1-800-536-0009 • FAX (616) 243-6484

BRUSS

BRUSS FASTENERS
P.O. BOX 88307
GRAND RAPIDS,
MI 49518

WOOD MAGAZINE NOVEMBER 1992

[Yet another myth runs dry.]

Old faithful isn't.

Geologically speaking, the Yellowstone gusher is neither especially old, nor particularly regular. But darn if it isn't one of the truly awesome sights of the 358 National Park Areas that belong to you. For an official guide of your very own, call 1-800-285-2448. Also available in bookstores.



The Complete Guide to America's National Parks.

[4.6 billion years in the writing.]

Cradle Plans

You can easily build this classic cradle which is sure to become a family heirloom. Available in two sizes: Baby & Doll size.

72 pg. catalog
free with order

Baby size Plan (21 x 35) **\$11.50**
Spindle Kit with Pivots **\$30.25**
Doll size Plan (10 x 18) **\$5.25**
Spindle Kit with Pivots **\$12.95**

M/C Visa orders call toll-free 1-800-292-8296

Frt. 48 States \$3.50. AK, HI add 25% of order. NY add tax. Canada add 50%. Use Visa/MC or M.O. in U.S. funds. Min. order is \$15.00. Catalog \$1.00 or sent FREE with order.

ARMOR, Box 445-E, East Northport, NY 11731

Two Cradle Plans One for Babies One for Dolls



Wood Moisture Meter

pocket-size
MINI-LIGNO
Range: 6-20%
in 1% steps
Size: 1"x2 1/4"x5 1/2"

\$110
only

Including
Case,
Battery, Pins for
3/16" or 7/16"
measuring depth.

Also available as
Mini E, 6-36%



Lignomat USA Ltd.

503-257-8957 800-227-2105

P.O. Box 30145

Portland, OR 97230



Our Building Will Save You Thousands

20 x 28 25 x 38 30 x 41 40 x 56

Perfect for RV storage, workshops and garages.

Free six months storage.



SAVE
UP TO 40%
800-888-4606



POWERMATIC
III

HOT SHEET SPECIAL!

from New York State's
largest **POWERMATIC** dealer.
Call for special pricing.

**Over 50 different
machines in stock.**

Northland Woodworking Supply
65 Wurz Ave., Utica, NY 13502

315-724-1299 FAX 315-724-1298

Whether your woodworker's license reads "Beginner," "Intermediate," or "Advanced," you're bound to have a few questions about your favorite hobby. We can help by consulting our staff and outside experts. Send questions to:

Ask **WOOD**®
 Better Homes and Gardens®
 Wood® Magazine
 1912 Grand Ave.
 Des Moines, IA 50309-3379

Toxic wood: Should we worry?

I work at a lumber company that specializes in all kinds of domestic and exotic woods from red cedar to zebra and cocobolo. We sell these woods, and we also machine woods to customers' specifications. Can you tell me the levels of toxicity in different woods from highest to lowest? What are the risks when breathing dust? Are there any known studies done on this subject?

—Bruce Reese, Hazelpatch, Mich.

Bruce, the three woods you mentioned do, indeed, have toxic qualities. For instance, western red cedar can cause dermatitis, giddiness, asthma, and

even nasal cancer if you are exposed long enough to it, according to Dr. Regis Miller, wood anatomist, Forest Product Laboratories, Madison, Wisconsin. Cocobolo, another wood you mentioned, can cause the same exact health problems.

"Reaction to wood toxicity depends on the individual. However, certain woods, we call them 'bad actors,' cause more people problems than others," says Miller. (See the table at right.)

He recommends consulting a dermatologist or physician if you have any abnormal symptoms after working around wood or wood dust. "Woodworkers should always wear dust masks," he says. "Also, consider wearing protective clothing, and a 'barrier' skin cream such as Vaseline or zinc-oxide ointment, and shower immediately after work." But don't become overconcerned. Man has worked around wood for thousands of years with little apparent harm to overall health.

For more information about wood toxicity see our December 1989 issue, pages 74-77.

Note: This is only a partial listing. Over 100 tree species can cause some type of allergic reaction in some people. Direct questions you have on reactions to a regional poison control center or dermatologist.

Quality Woodworking Machines at Affordable prices from

Penn State Industries

Dept. W, 2850 Comly Road • Phila, Pa. 19154 • Info: 215-676-7609
 Order Toll Free 1-800-288-7297 • Visa, Master, & Discover Cards accepted
 When ordering - Add UPS Shipping Charges as noted • Pa residents add 7% Sales Tax
 Call or Write for our New 24 Page Color Catalog



Two Way Sanders

Features of both models:

- Dust collector on belt
- Tables tilt to 45°
- Sealed ball bearings
- Easy belt tracking

6x9 Sander:

- Includes stand
- 9" Disc • 6"x48" Belt
- 3/4 HP, 1720 RPM
- Free Belts & Discs worth \$21.00

#S69 ... \$219.95 (UPS \$30)

4x8 Sander:

- 8" Disc • 4"x36" Belt
- 1/3 HP, 1720 RPM
- Free Belts & Discs worth \$14.00

#S48 ... \$109.95 (UPS \$8)



Super 125 Planer only \$359.95

This machine will pay for itself time and again by planing your own wood. Finishes wood like machines many times its price.

- Portable at 65 lbs
- 26.2 fpm power feed
- HSS Knives 12-1/2" wide
- Motor: 16Amp, 8000RPM 2HP, 115V
- 1/8" Max depth of cut

#PLA \$359.95 (UPS \$15)

Extra Knives ... \$25/pair

Dust Chute ... \$15/ea (UPS \$3)

Stand \$39/ea. (UPS \$6)



Variable Speed Scroll Saw only \$169.95

Cuts intricate patterns in many different materials. Electronically controlled motor gives full power at all speeds 400-1800cpm.

FREE ACCESSORIES:

- Dust blower • 1 dz blades
- EZ Set permanent top arm blade holders • EZ jig to attach standard holders • 4 blade holders • Neptune 1-1/2" lettering guides w/6 patterns

Specifications:

- Motor: 1.3 Amp, 110V
- Throat: 15" deep • Stroke-3/4"
- Tilt 0-45° left • Cut Depth: 2"
- Blades: uses pin & plain end

#SVS \$169.95 (UPS \$10)



Dust Collectors 750 CFM Portable Dust Collector:

This 1-1/2HP model is lightweight and portable at less than 50 lbs.

- 1-1/2HP, 110/220V • 1 outlet @ 4" • 1 Bag @ 20 gal • Wt: 46 lbs • 750CFM • Free: 8' of hose, 1 ea 4" to 3", 1 ea 4" to 2" adaptor.. \$15 Value

#DC3 \$209.95 (UPS \$10)



900 CFM Dust Collector:

This 1-1/2HP model allows for use in 2 or more machines & gives improved service for long runs of hose.

- 1-1/2HP, 110/220V • 2 outlets @ 4" • 2 Bags @ 30 gal • Wt: 120lbs • 900CFM • Free: 50' of hose, 1 ea 4" to 3", 2 ea 4" to 2" adaptors.. \$40 Value

#DC2 \$299.95 (UPS \$30)

610 CFM Dust Collector:

This collector is perfect for hook-ups to almost any single machine.

- 1HP, 110/220V • 1 outlet @ 4" • 2 Bags @ 20 gal • Wt: 75lbs • 610 CFM • Free: 8' of hose, 1 ea 4" to 3" & 4" to 2" adaptors.. \$15 Value

#DC1 \$199.95 (UPS \$20)

WOODS WITH A RECORD

WOOD SPECIES	TOXIC CLASS		REACTION				POTENCY			SOURCE			INCIDENCE		
	Irritant	Sensitizer	Respiratory	Eye & Skin	Nausea, etc.	Nasal Cancer	Little	Great	Extreme	Leaves, Bark	Dust	Wood	Unknown	Rare	Common
Bald cypress		X	X				X				X				X
Balsam fir		X		X			X				X				X
Beech		X		X				X		X					X
Birch		X	X		X			X			X	X			X
Black locust	X				X			X		X					X
Blackwood		X		X				X			X	X			X
Boxwood		X	X				X				X	X			X
Cashew		X		X				X			X	X			X
Cocobolo	X		X	X				X			X	X			X
Dahoma		X	X					X			X				X
Ebony	X		X	X				X			X	X			X
Elm		X		X			X				X				X
Goncalo alves		X		X			X				X	X			X
Greenheart		X	X	X					X		X	X			X
Hemlock						X		X		X	X				X
Iroko	X		X	X					X		X	X			X
Mahogany		X	X	X			X				X				X
Mansonia	X		X	X					X		X	X			X
Maple		X	X					X			X	X			X
Mimosa	X				X				X	X	X	X			X
Myrtle		X	X					X		X	X	X			X
Oak, red						X		X			X				X
Obeche		X	X	X				X			X				X
Oleander	X				X				X	X	X	X			X
Olivewood		X	X	X				X			X	X			X
Opepe		X	X				X				X				X
Padauk	X		X	X	X				X		X	X			X
Pau ferro		X		X			X				X	X			X
Peroba rosa		X	X					X			X	X			X
Purpleheart		X		X	X		X				X	X			X
Quebracho						X		X			X				X
Redwood		X	X			X	X				X				X
Rosewood(s)		X	X	X					X		X	X			X
Satinwood	X		X	X					X		X	X			X
Sassafras		X	X		X	X	X			X	X	X			X
Sequoia	X		X				X				X	X			X
Snakewood	X		X					X			X	X			X
Spruce		X	X				X				X	X			X
Walnut		X		X			X				X				X
Wenge		X	X	X				X			X	X			X
Willow		X			X			X		X	X		X		X
W. red cedar		X	X			X		X			X	X			X
Teak		X		X				X			X				X
Yew, European	X			X				X			X	X			X
Zebra-wood		X		X				X			X	X			X

Continued on page 94

LITTLE DIGGER

Create this unique sandbox toy. Appeals to youngsters and oldsters. Built with mostly 2 x 4's. The plan is full size and easy to follow. Backhoe is designed with swivel seat for youngsters to sit on and scoop sand in the bucket.



Send \$14.95 pp.
Check or
Money Order to:
Bo-Jan Products
Dept. W
P.O. Box 24986
Winston-Salem,
N.C. 27114-4986

Bucket and swivel bearing available upon request.
N.C. Residents add 6% Sales Tax.

NEED
EXTRA
INCOME?

SIGNCARVING



IS FUN & PROFITABLE

And it's easy, if you use the Marlin Woodcarvers and accessories. You can carve signs quickly at home or at swap meets. *No special training is required.* The machines do the work, the operator has the fun and the profits. These machines will also 3-D carve panels and plaques. Our templates work well with other machines.

SEND FOR OUR FULL LINE BROCHURE AND PRICE LIST
AND START PLANNING YOUR FULL OR PART-TIME BUSINESS.



MARLIN INDUSTRIES, INC.

Rt. 70, Box 191, Dept D211
Cashiers, NC 28717
(704) 743-5551

Buckboard Bench

(real springs)



Kit includes:
steel springs
that give a little,
metal arms &
backrails,
hardware and
complete
instructions.
\$49.00 (Visa,
MC Accepted)

We manufacture the bench from solid oak/
with cushion and personalized with your
name or business. **\$244.00.**

The Roudebush Co.

Box 348A, Star City, Indiana 46985

800-847-4947



RESTORE FURNITURE for SECURE INCOME Perfect 2nd Career

Make \$200-\$2,000 a day! Unlimited
market; turn-key business. Free
workshops. **Set-Up Shop for \$2,999-
\$9,999!** Part-time or full-time. Great
for men, women, families.

Make Molds*Veneer*Resilver
Strip*Repair*Refinish

Business Preview Video \$19.95 - Catalog \$2.00

MINUTEMAN, INC., Ste. 17

Box 8, Waterloo, WI 53594

1-800-733-1776



ASK WOOD

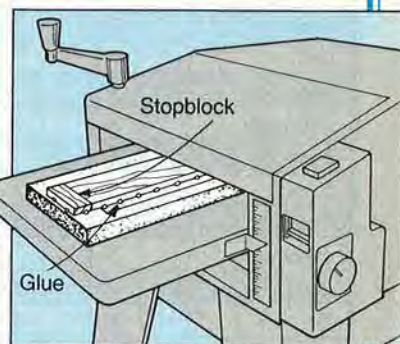
Continued from page 93

Carrier board solves planer problem

I recently purchased a Ryobi AP 10 portable thickness planer. While reading the operating instructions, I found a warning section that says I should not plane any board less than 1/2" thick. What is the reason for this restriction? How can I get around it? One of the reasons I wanted a thickness planer was to be able to plane boards less than 1/2" thick.

—Gordon Henry, Coon Valley, Wis.

Gordon, Ryobi—like all other manufacturers—puts a stop on their planers to keep you from physically lowering the blades into the steel bed. You should never attempt to remove the stop. However, Project Builder Jim Boelling has a solution to your



problem. "You can plane down to any thickness you want. Yes, even paper-thin," he says. Here's how: Place a carrier board underneath the stock that you wish to plane. But, be careful to select a carrier that is absolutely flat and of uniform thickness. Boelling suggests 3/4" plywood or particleboard. Once you've selected your carrier, place the board you wish to plane on top of it. Then, with a hotmelt glue gun, "spot-weld" the two boards together around the edges, not between the boards. As a final safety precaution, glue a stop strip on the front end of your carrier board. This prevents kick-back as you feed the board through the planer.

Reader wants to make his own tack cloth

Do you have a recipe for making a tack cloth for cleaning up fine dust? Please share it with the rest of us.

—Kory Boster, Claremore, Okla.

You stumped our staff with that one, Kory. So we went to finishing expert Mitch Kobanek, instructor at Dakota County Technical College, Rosemount, Minnesota. (See issue 49 pages 46-49.) "Tack cloth is really nothing more than cheese cloth with a little varnish sprayed on it. Mix a little linseed oil and mineral spirits in with the varnish," he says. "Then pour it in a small spray bottle. Spray a fine mist on the cheese cloth. Then remember to keep the tack cloth in an airtight container or it will harden." Mitch also warns not to apply too much of the mixture to the cloth. "You can actually rub varnish into the wood while you're wiping dust off if you soak the cheese cloth or rub too hard. Remember, just a light coat will do the job."

Earn
Up To **\$100**
In Your
Spare
Time!

By Demonstrating Some of the World's Best Woodworking Tools

Skil will pay you up to \$100 a day to demonstrate their woodworking power tools at Hardware Stores, Home Centers, etc., in your area. This part-time work is excellent for those experienced with woodworking craft-type projects using scroll saws . . . table saws . . . plate joiners . . . planes . . . routers . . . sanders . . . drills . . . and jigsaws. We'll supply all the tools, materials and instruction you need.

So, if you have some free evenings or weekends and like to work with wood, we'd like to hear from you. Send a brief description of your qualifications to Skil, Marketing Communications, 4300 W. Peterson Avenue, Chicago, IL 60646.

SKIL
AMERICA'S POWER
TOOL SPECIALIST

STEVE WALL LUMBER CO.

Quality Hardwoods and Woodworking machinery For
The Craftsman and Educational Institutions

Ash	4/4	Select	1.90
Basswood	4/4	Select	1.35
Birch	4/4	Select	1.60
Cherry	4/4	Select	2.45
Cypress	4/4	Select	1.65
Hickory	4/4	Select	1.50
Mahogany (Genuine)	4/4	Select	2.75
Maple (Hard)	4/4	Select	1.75
Maple (Soft)	4/4	Select	1.40
Pecan	4/4	Select	1.50
Poplar	4/4	Select	1.20
White OR Red Oak	4/4	Select	1.90
Walnut	4/4	Select	2.75
Cedar (Aromatic Red)	4/4	1C+Btr	1.40
White Pine	4/4	F.G.	.95
Yellow Pine	4/4	Clear	1.20

Above prices are for 100' quantities of kilndried rough lumber sold by the Bd. Ft. FOB Mayodan, NC.
Call for quantity discounts. Other sizes and grades available.

UPS Specials

	\$ 61.00
	\$ 49.00
	\$ 55.00
	\$ 70.00
	\$ 51.00
	\$ 49.00
	\$ 75.00
	\$ 54.00
	\$ 48.00
	\$ 49.00
	\$ 47.00
	\$ 59.00
	\$ 73.00
	\$ 48.00
	\$ 39.00
	\$ 47.00

Above prices are 20 bd. ft. bundles of clear kilndried lumber 3"-10" wide x 3'-7" long (Random widths & lengths) Surfaced 2 sides or rough. Delivered UPS prepaid in the Continental U.S.

LUMBER SPECIALS

MAHOGANY 100 Bd. Ft. Bundle #1 Common S2S13/16 \$ 175*
WALNUT 100 Bd. Ft. Bundle #1 Common 4/4 \$ 110*
*FOB Mayodan - Motor Freight Only

EXOTICS: Bloodwood \$7.00 • Canary Wood \$8.50
Rosewood \$9.50 • Tulip Wood \$11.00
Others Available

STEVE H. WALL LUMBER CO.

BOX 287 • MAYODAN, N.C. 27027

919-427-0637 • 1-800-633-4062 • FAX 919-427-7588

Send \$1.00 For Lumber and Machinery Catalog

TRANSPOWER

FOR ORDERS & CATALOGUE CALL
1-800-654-7702 ext. 24

SINCE 1953
SUPER HEAVY DUTY WOODWORKING EQUIPMENT



500 1" Shaper Router, 3HP\$698	150 12" Auto Planer, 2HP\$328	Dust Collector 1HP Motor\$175
50A 1" Shaper Router, 3HP\$765	650 15" Auto Planer, 2HP\$695	Dust Collector 1 1/2HP Motor\$245
88A 1 1/2" Shaper Router, 3HP\$890	800 16" Auto Planer, 3HP\$765	Dust Collector 2HP Motor\$285
860 Tiltting Spindle Shaper	..\$1285	20A 20" Auto Planer, 3HP\$1195	Dust Collector 3HP Motor\$450



PROFESSIONAL SHOP EQUIPMENT

SB500	14" Band Saw 2 Speeds 1HP Motor\$230
SB600	16" Band Saw 3 Speeds 1 1/2HP Motor\$490
SB700	18" Band Saw 3 Speeds 2HP Motor\$595
SB800	20" Band Saw 3 Speeds 3HP Motor\$1280
JF650A	6" Long Bed Jointer 1HP Motor\$275
JF860	8" Long Bed Jointer 2HP Motor\$640
HP500S	3HP Shaper With Sliding Table\$940
HD1500	Industrial Wood Lathe, Cast Iron Bed\$590
SD1200	120" Edge Belt Sander 2HP Motor\$940
SD800	80" Edge Belt Sander (Stand Optional)\$395
DS2500	25" Double Drum Sander 5HP Motor\$2650
VH120	Industrial 12" Disc Sander 48" Belt\$450
RF150	Auto Feeder 3 Wheels 1/2HP Motor\$360
RF180	Auto Feeder 3 Wheels 1/2HP Motor\$420
RF350	Auto Feeder 3 Wheels 1HP Motor\$650
DB600	Air Drum/Brush Sander 3 Speeds\$195

* HTC Mobile Bases * USA Motors Available

250 H.D. 10" Table Saw 1 1/2HP Motor\$340
250 Equipped With BIESEMEYER 82" Fence\$575
20A H.D. 10" Cabinet Saw 3HP Motor\$745
200 H.D. 10" Cabinet Saw 3HP Motor\$960

TCM Industries, Inc. 322 Paseo Sonrisa, Dept. 24, Walnut, CA 91789
In California (714) 594-7099, Ext. 24

PORTER-CABLE ROUTER BITS ARE 3% OFF LIST!

100 7/8 HP FIXED BASE ROUTER\$ 97
330 1/4 SHT SANDER W/FREE DISPENSER56
332 QUICKSAND RANDOM ORBIT SANDCALL
333 QUICKSAND DUSTLESS VELCROCALL
334 QUICKSAND DUSTLESS STIKITCALL
352 3" X 21" BELT SANDER WITH BAG142
360 3" X 24" BELT SANDER WITH BAG179
362 4" X 24" BELT SANDER WITH BAG192
505 1/2 SHEET SANDER W/FREE DISP115
555 BISCUIT JOINER WITH STEEL CASE167
690 1 1/2 HP FIXED BASE ROUTER128
691 1 1/2 HP "D" HANDLE ROUTER142
7310 LAMINATE TRIMMER, 5.6 AMP85
7335 5" VS RANDOM ORBIT SANDER125
7336 6" VS RANDOM ORBIT SANDER129
73333 ROS DUST EXTRACTION SYSTEM24
7518 3 1/4HP, 5 SPEED FIXED ROUTER264
7519 3 1/4HP, SINGLE SPEED ROUTER229
7538 3 1/4HP PLUNGE ROUTER-1 SPEED229
7539 3 1/4HP PLUNGE ROUTER-5 SPEED264
7549 TOP HANDLE BAYONET SAW144
9853 12V CORDLESS DRILL KIT148
97310 LAMINATE TRIMMER KIT W/4 BASES187

BOSCH ALL BOSCH ROUTER BITS ARE 40% OFF OF LIST PRICES!

1370DVS 6" VS RANDOM ORBIT W/BAG\$225
1581VS TOP HANDLE JIG SAW, VS139
1582VS BARREL HANDLE CLIC JIG SAW139
1604 1 3/4 HP ROUTER, FIXED BASE129
1608 TRIM ROUTER85
1613 1 3/4 HP PLUNGE ROUTER163
1613EVS 2HP PLUNGE ROUTER, VAR SPD183
1614 1 HP PLUNGE ROUTER127
1614EVS 1 1/4 HP PLUNGE ROUTER VS148
3050VSRK CORDLESS DRILL KIT, 9.6V, 2 BAT139
3283DVS 5" VS RANDOM ORBIT W/BAG99

BOSTITCH

N80S STICK NAILER-6 TO 16 PENNY CAP\$388
N60FN FINISH NAILER-1 1/4 TO 2 1/2" CAP335
T28-5 FINISHING STAPLER-1 3/16" CAP269
T31-3 FINISHING STAPLER-1" CAPACITY149
N12B ROOFING COIL NAILER409

Panasonic

EY571BC 9.6V CRDLS KIT W/2 BAT & CASE\$149
EY205BC12V 15 MIN CHRGR CRDLS KIT,CSE178

SENCO

SFN216 FINISH NAILER, 1" TO 2" CAPACITY258
SFN2B FINISH NAILER, 1 1/2" - 2 1/2" CAP378
SKS CABINET STAPLER, 5/8"-1 1/2" CAP248
LS5 PINNER, 1"-1 1/2" CAPACITY257
LS2 PINNER, 5/8"-1" CAPACITY247

SKIL FREE SUPERMIST WITH SKIL BENCHTOP TOOL PURCHASE!

1605-02 BISCUIT JOINER W/CSE & 200 BISC\$119
2736-04 12V CRDLS DRILL KIT, 2 BAT, KYLS129
3330" 16" SCROLL SAW135
3370" 4" BELT 6" DISC SANDER135
3380" 8" DRILL PRESS, 1/4HP, 5 SPEED135
3400" 10" TABLE SAW, 13 AMP179
7494 5" RANDOM ORBIT SANDER W/BAG99

freud ALL FREUD ROUTER BITS & SHAPER CUTTERS ARE 40% OFF OF LIST!

LM72M010 10" X 24T FLAT TOP RIP BLADE\$ 36
LU84M011 10" X 50T ATB COMBO BLADE38
LU85M010 10" X 80T ATB ULTIMATE WOOD55
LU87M010 10" X 24T THIN KERF RIP WOOD37
LU88M010 10" X 60T THIN KERF CROSSCUT43
LU88M010 10" X 80T TCH FOR LAMINATES68
TK205 10" X 24T THIN KERF RIP20
TK306 10" X 40T THIN KERF COMBO25
TK406 10" X 60T THIN KERF FINE CUTOFF34
TK906 10" X 50T THIN KERF COMBO27
SD300 8" DADO SET WITH CASE116
R22003 NEW SHAPER STILE & RAIL SET379
FS2000E 3 HP VS PLUNGE ROUTER205
JS100 BISCUIT JOINING SYSTEM164

INTERNATIONAL TOOL CORPORATION

1939 TYLER STREET, HOLLYWOOD, FL 33020
1-800-338-3384
FREE FREIGHT & SAME DAY SHIPPING
ON MOST ORDERS OVER \$25.00 MINIMUM PURCHASE
QUANTITIES LIMITED. NOT RESPONSIBLE FOR TYPOGRAPHICAL ERRORS

Econ-Abrasives

WE MAKE ABRASIVE BELTS ANY SIZE, ANY GRIT!

Standard Abrasive Sheets

CABINET PAPER		
	50/pk	100/pk
60D	\$15.00	\$27.00C
80D	14.00	25.00C
100 thru 150C	13.00	23.00C
FINISHING PAPER		
80A	\$ 10.00	\$17.00C
100 thru 280A	9.00	15.00C
NO LOAD PAPER(white)		
100 thru 400A	\$11.00	\$19.00C

ABRASIVE BELTS

Please Specify Grits

1X30	\$.73 ea	3X24	\$.84 ea
1X42	.73 ea	3X27	.87 ea
1X44	.73 ea	3X28 3/4	.96 ea
2 1/2X16	.77 ea	4X24	.99 ea
3X18	.78 ea	4X36	1.20 ea
3X21	.81 ea	6X48	3.14 ea
3X23 3/4	.84 ea	2 1/4X80	2.94 ea

OTHER SIZES ON REQUEST

HEAVY DUTY SPRING CLAMPS

Clamps come w/PVC tips and grips.

Size	Price
4"	\$1.75 ea
6"	2.25
8"	3.50

JUMBO ROUTER PAD(24" x 36")

It will not allow small blocks of wood to slip out under router or sanding applications.
ROUTER PAD ONLY \$8.95ea.

* OTHER PRODUCTS *

- *Wide Belts*Rolls*Flap Wheels
- *Pump Sleeves*PSA Discs
- *Router & Wood Bits*Wood Glue

JUMBO BELT CLEANING STICK

ONLY \$8.80

TOLL-FREE ORDERING LINE (800) 367-4101

Add Music & Movement To Wood Projects!



The Woodworker's Complete Source for Musical Accessories!

- Wind-Up Musical Movements
 - Electronic Musical Movements
 - Water Globe Kits
 - Blinking Musical Lights
 - Carousel Horses & Accessories
- One of the Largest Selections of Tuning Anywhere!

For a full-line catalog, send \$1

Unicorn Studios
Musical Movements & Accessories
P.O. Box 370-DW • Seymour, TN 37865

YESTERDAY'S TOOLS

Print this article

TRANSITIONAL PLANES

PERSISTENT PLAYERS IN WOODWORKING HISTORY



Historians don't quite agree when it comes to exactly dating the first wood-working planes. Some credit the ancient Hebrews with the invention of the wood-bodied tool with its iron cutter; others say it was 4th-century Egyptians. But no matter its origin, the wooden plane was the favorite of woodworkers from medieval times to the early 20th century.

The Bailey's patented transitional smoothing plane with a beech body was introduced in the 1870s and made until 1943. This example might be worth \$100 or more.

In 1855, Bailey patented his first tool, a bronze plane-scraper. Then, he patented a refinement to the cutter adjustment in 1858. His wooden-soled plane had an iron body containing a lever-held, sliding cutter-adjustment mechanism. Bailey's patent today remains the most significant thing to remember about transitional planes—they were the first to feature a reliable means of adjusting the cutter up and down for a rough or smooth cut.

The marriage of metal and wood

Planes with a wooden body or sole (usually beech) and an iron or steel blade-setting mechanism as part of an iron or steel upper body are called "transitional" by today's tool collectors. The name shouldn't be taken literally, though, because transitional planes didn't fill a time slot between all-wood planes and the development of all-metal ones. Transitional planes and metal planes both showed up on the American tool scene at the same time—just prior to the Civil War.

After his 1858 patent, Bailey built wood-bottomed planes and metallic ones as well, and other planemakers incorporated many of his ideas. To woodworkers, the more reliable cutter-setting was a boon, although they were reluctant to transfer entirely to all-metallic planes. After all, wood-bottomed planes cost less, felt better, and were just as accurate.

Early American woodworkers relied mostly on English-made woodworking tools. As early as 1740, though, there were hundreds of planemakers around Boston, Philadelphia, and New York City plying their trade in wooden planes. One of them, Hazard Knowles of Colchester, Connecticut, had patented an iron-bodied plane in 1827. However, his metallic plane did not improve blade-setting accuracy. That feat was contributed by Leonard Bailey, a Massachusetts cabinetmaker.

Stanley takes over

Stanley Rule & Level Company of New Britain, Connecticut, bought Bailey's business in 1869, and by 1900 had dominated all competitors. But Bailey's patent had had such an impact on the industry that today's tool collectors find a rich selection of transitional planes. Besides Stanley, Chaplin, Gage, Keen Kutter, Ohio, Sargent, Standard Rule, Union, and Winchester are brands to look for. 🌲

Written with Philip Whitby Photograph: Tim Murphy

FREE BROCHURE!



★THE WOODWORKING SHOWS★

machinery • tools • supplies

VISIT THE SHOW NEAR YOU!

- Atlanta
- Baltimore
- Charlotte
- Chicago
- Colorado
- Dallas
- Harrisburg
- Indianapolis
- Kansas City
- Milwaukee
- New Jersey
- No. California
- North Florida
- San Diego
- So. California
- St. Louis
- Tampa

Call for free brochure

Monday - Friday 8 am - 5 pm Pacific Time
1-800/826-8257 or 310/477-8521

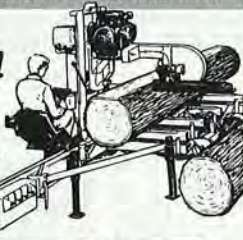
Wood-Mizer®

World's Largest Manufacturer of Portable Sawmills

Own a Sawmill!

Start a Profitable Business!

Save money cutting your own lumber, make money cutting for others.



1-800-553-0219

32 Page Full Color Catalog - \$2.00
66-minute demonstration video - \$10.00
MasterCard or Visa accepted

8180 West 10th Street • Dept. QQ65
Indianapolis, Indiana 46214-2400

WHAT TO MAKE WITH WOOD AND HOW



over
40 Plans
for one low price
\$6.95

includes shipping & handling

Lawn Ornaments ■ Shelves
Bird Houses ■ Picnic Tables
Porch Swings ■ Cabinets

Send check or money order to:

Pinecraft Patterns
P.O. Box 13186
Green Bay, WI 54307-3186
Wisconsin residents add 5% tax



BACK-ISSUE SALE

While supplies last, you can order the issues listed below. We will process orders on a first-come, first-serve basis, and when the magazines are gone, that's it.



WOOD® magazine

- #7 Surface sander, coffee table, hall shelf, classic radio, magazine rack, doll furniture, carving tools, resawing jig.
- #8 Coat tree, snack tray, jeep, desk set, charm bears, necklace, sled, mallets, scrollsaws.
- #11 Miter box, hollow-grind sharpening, play structure, party wagon, domino set, weed pots.
- #12 Carving finishes, toy truck, serving tray, tie rack, sandpaper bin, parrot magnets, bookends.
- #13 Cedar chest, kids' table and chairs, mug rack, kitchen cabinet standards, jewelry case.
- #17 Template routing, radial-arm saws, settee, dining table, carving board, mountain hermit carving.
- #18 Leg-rail joinery, hand-held power planers, coffee table, shelving system, sailboat, paperweights.
- #19 Cradle, bird feeder, kid's mirror, turned clock and vase, notepad holder, tool chest, power carvers.
- #20 Scrollsaw techniques, mantel clock, wine rack, turned candle holder, doll stroller, floral wall plaques, toy bulldozer, hand mirror.
- #21 Barrister's bookcase, file cabinet, picture frame, letter opener, bandsawed boxes, spice jars.
- #22 Tall clock, onlay vase and table, blade-height gauge, teddy bear clock, necklace, clothes rack.
- #23 Stave construction, chair recaning, teak patio set, bowls, kids' play tower, turned earrings.
- #24 Drill presses, shop safety, wood mosaics, planters, cutting boards, hillbilly carving, toy low-boy truck, toy dump truck.
- #25 Curio cabinet, glue caddy, kid's wheelbarrow, zoo carousel, rolling pin, key keeper, oval marker.
- #26 Ornaments, yo-yo, wall clock, baja buggy, notepad holder, depth gauge, cribbage board, inlay tray, vacuums.
- #27 Low-relief carving, country bench, cupboard, recipe-card box, toy trucks, lamp, perfume decanter.
- #28 Trestle table, finish scraper, birdhouse, plant stand, stack-laminated bowls, stationary sanders.
- #29 Entertainment center, low-voltage lighting, train whistle, bud vase, napkin holder, parrot mobile, tops.
- #30 Shaker chair, doll cradle, rod rack, strip sander, carved whale, portable belt sander.
- #31 Woody car, rip fence, waddling duck, woven basket, candle holder, tabletop frame, jointers.
- #32 Tambour desk, oak mirror, bookends, tabletop easel, recipe-card holder, biplane, carved angel.
- #34 Bowed psaltery, dollhouse, tablesaw base, framed hummingbird, carved bluegill, sandblasting, planers.
- #35 Oak settee, monster truck, spoon rack, handscrew clamps, toy wheels, tabletop finish.
- #36 Sofa table, candle box, candlestand, country clock, country finishes, electric drills, bird feeder, wooden toy excavator.
- #37 Workbench, toy tractor, weed pots, scrollsawed necklace, try square, carved coyote.
- #38 Routers, tablesaws, bandsaws, thickness planers, jointers, sanders, lathes, drill presses.
- #39 Block castle, card holder, jewelry box, cutting board, sleigh, tape and disc organizers, shapers, Santa carving.
- #40 Moldings, canvasback carving, gun case, oval carrier, vase, shadow box, relief puzzle.
- #41 Chip-carved farmer, front-end loader, briefcase, plaque, napkin holder, door harp, wall cabinet.
- #42 Carved Indian, spice cabinet, outdoor chairs, domed display, welcome sign, birdhouse, clock.
- #43 Mobile, wildlife scene, outdoor table, eggs, cutting board, barnyard cutouts, cosmetic mirror.
- #44 Intarsia cat, calendar/clock, Southwest tables, carved plaque, toy toolbox, turned pens, weather vane.
- #45 Barstools, Shaker buffet, wooden toy grader, picture frame, napkin/letter holder, bear plaque.
- #46 Working with plywood, otter carving, dado tools, media center, toy airplane, toboggan, lotion dispenser, ark.
- #47 Hand tools, finishes, benchtop and stationary power tools, portable power tools, accessories, medley of merchandise.
- #48 Mortise-and-tenon joinery, wooden hardware, music box, plant stand, turned ornaments, carved Santa, steak knives.
- #49 How to make cabriole legs, cabriole-leg coffee table, cheval mirror, Shaker wall clock, quilt hanger, cookie molds.
- #50 Power mitersaws, chip carving, walnut bookcase, toy wrecker, mitersaw work station, Old-West birdhouse.
- #51 Bandsawed dovetails, bandsaws, high chair, kids' clothes tree, turned oil lamp, plate rack, knitter's carryall, pizza paddle.
- #52 Sharpening turning and carving tools, porch rocker, kid's booster box, potpourri container, quilt stand, picture frame.
- #53 Finish removers, tin punching, pie safe, carved daffodil, turned music box, caterpillar puzzle, bear wall plaque, wooden wagon.
- #54 IDEA SHOP, dust collectors, whittling, tissue-box cover, letter openers, workbench, tool cabinet, shop stool, shop clock.

335 GREAT SHOP TIPS
Illustrated collection of better, safer, and faster ways of working with wood in your shop.

HERE'S HOW TO PLACE YOUR ORDER

- 1) Fill out the form at right, indicating which issues you want to purchase.
- 2) Send the order form to:
WOOD Back-Issue Sale
P.O. Box 9266
Des Moines, IA 50306-9266

NOTE: Supplies are limited, so we'd prefer that you purchase your magazines by credit card (MasterCard, VISA). We also will accept checks, payable to WOOD Back-Issue Sale. Allow 4-6 weeks for delivery. Phone credit card orders 800/572-9350.

GOOD NEWS! We recently found a limited number of the following issues: #11, #12, #17, #18, and #24.

Name _____
 Address _____
 City _____ State _____
 ZIP _____ Daytime Phone _____
 VISA MasterCard Exp. Date _____
 Credit Card # _____
 Signature _____

Single issues @ \$4.95 ppd. For foreign orders, please add \$1 per issue. 335 GREAT SHOP TIPS @ \$10.95 ppd.

WOOD magazine	<input type="checkbox"/> 7	<input type="checkbox"/> 8	<input type="checkbox"/> 11	<input type="checkbox"/> 12	<input type="checkbox"/> 13	<input type="checkbox"/> 17	<input type="checkbox"/> 18	<input type="checkbox"/> 19	<input type="checkbox"/> 20	<input type="checkbox"/> 21	<input type="checkbox"/> 22	<input type="checkbox"/> 23	<input type="checkbox"/> 24	<input type="checkbox"/> 25
	<input type="checkbox"/> 26	<input type="checkbox"/> 27	<input type="checkbox"/> 28	<input type="checkbox"/> 29	<input type="checkbox"/> 30	<input type="checkbox"/> 31	<input type="checkbox"/> 32	<input type="checkbox"/> 34	<input type="checkbox"/> 35	<input type="checkbox"/> 36	<input type="checkbox"/> 37	<input type="checkbox"/> 38	<input type="checkbox"/> 39	<input type="checkbox"/> 40
	<input type="checkbox"/> 41	<input type="checkbox"/> 42	<input type="checkbox"/> 43	<input type="checkbox"/> 44	<input type="checkbox"/> 45	<input type="checkbox"/> 46	<input type="checkbox"/> 47	<input type="checkbox"/> 48	<input type="checkbox"/> 49	<input type="checkbox"/> 50	<input type="checkbox"/> 51	<input type="checkbox"/> 52	<input type="checkbox"/> 53	<input type="checkbox"/> 54

335 GREAT SHOP TIPS



1993 Build-A-Toy™ Contest

Entry Deadline: February 1, 1993

Our Fifth Annual contest to benefit kids through Toys for Tots.

Don't miss a special 1992 CRAFTED FOR JOY exhibit during the National Crafts Festival September 16 thru November 1, 1992 at Silver Dollar City®, Branson, Missouri. A benefit auction of the award-winning toys will be held at the new Grand Palace Theater December 6, 1992.

GRAND PRIZE:

One Grand Prize open to original designs only for all skill levels.

A trip for a family of four to Silver Dollar City during the 1993 National Crafts Festival.*

Top photo: Silver Dollar City Theme Park: The Home of American Craftsmanship themed in a turn of the century crafts village. Plus, you'll find shops, rides, restaurants and fun!

FIRST PRIZE:

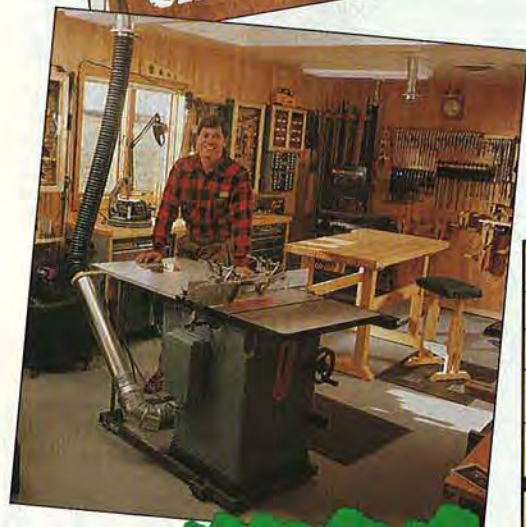
One First Prize open to original and existing designs for all skill levels.

A trip to WOOD magazine's IDEA SHOP™ in Des Moines. Meet the editors and spend a day learning some great woodworking tips.*

Bottom Photo: IDEA SHOP: Editor-In-Chief Larry Clayton in the IDEA SHOP. Editors chose over 70 manufacturers to donate tools and other products for the shop.

*Transportation not included.

Six design prizes valued at over \$8,500 will be awarded for toys built from original designs.



Special citation prizes are open to all woodworkers who send us a toy. There will be fifteen citation prizes valued at over \$10,000 awarded.

ADDITIONAL COMPETITION PRIZES AND CATEGORIES

	STUDENT (K-12):	HOME HOBBYIST:	PROFESSIONAL:
DESIGN PRIZES: These 6 categories are open to original designs only.			
Second Prize	Delta: \$1,000 in merchandise	Trendlines: \$1,500 in merchandise	Eagle America Corp.: \$1,500 in merchandise
Third Prize	RBI: \$1,500 in merchandise	Delta: \$1,500 in merchandise	Atlas Copco Electric Tools Inc.: \$1,000 in merchandise
SPECIAL CITATIONS: These 15 categories are open to both original and existing designs.			
Best use of Wood	Constantine: \$100 in merchandise	Craftsmans Corner: \$1,500 in merchandise	Dremel: \$1,500 in merchandise
Best Finish	Behlen: \$200 in merchandise	Behlen: \$300 in merchandise	Behlen: \$500 in merchandise
Greatest Number of Toy Entries	Leichtung: \$250 in merchandise	Porter Cable: \$1,000 in merchandise	Econ-Abrasives: \$250 in merchandise
Best Transportation Toy (Includes: Trains, Planes, Cars)	Skil: \$500 in merchandise	Vermont American: \$1,000 in merchandise	American Tool Cos.: Quick-Grip Bar Clamp & Vise Grip Locking Clamp (\$1,000 retail value)
Best Pull Toy	Tool Crib of the North: 3303 ELU Router (retail value: \$235)	Meisel Hardware Specialties: \$500 in merchandise	SEARS Craftsman: \$500 in merchandise



1992 Build-A-Toy entries being judged by the editors of WOOD Magazine and guest judges.



1991 CRAFTED FOR JOY exhibit: Award-winning toys on display at a children's gallery in Studio City, CA.



Holiday party in California. Over 80 underprivileged children were entertained and given a handcrafted wooden toy from WOOD magazine.

BUILD-A-TOY CONTEST:

We're proud to invite woodworkers of every age and skill level to enter our Fifth Annual *Build-A-Toy*TM Contest. Your toy may be built from original or existing plans.

*Build-A-Toy*TM is the best way we know of for woodworkers to get the recognition they deserve for great craftsmanship. And many of the toys submitted will be exhibited and auctioned to raise thousands of dollars to purchase toys for children.

1992 CRAFTED FOR JOY EXHIBIT:

Our Crafted for Joy exhibit of award-winning toys designed and built by previous *Build-A-Toy*TM winners will be on display at the National Crafts Festival at Silver Dollar City®. Over 300,000 people are expected to attend.

BENEFIT AUCTION:

A special auction of the toys will take place on December 6, 1992 at the Grand Palace Theater in Branson, Missouri. The money raised will be given to the Toys For Tots program of the U.S. Marine Corps Reserve so that the Marines can buy more toys for more kids. Last year's benefit auction, which took place in Studio City, CA, raised over \$12,000.

ENTER NOW!

Enter our *Build-A-Toy*TM contest now; help promote the wonderful craft of woodworking, have a chance to win some terrific prizes and make a child very happy this holiday season!

A GIFT FROM WOOD:



Each person who enters our toy contest will receive a "Buy One Admission Get One Admission Free" coupon to Silver Dollar City® Theme Park. If you enter before November 20th you'll also receive an invitation to attend WOOD's benefit auction December 6, 1992 at the new Grand Palace Theater. This is an opportunity to meet the editors of WOOD magazine and other contest entrants, and see how our *Build-A-Toy*TM and CRAFTED FOR JOY programs work together to benefit Toys For Tots.



1993 RULES

1. Projects must fit into a box no larger than 2' x 2' x 2'. The primary material should be wood, but may incorporate other materials.
2. Please follow Consumer Product Safety Commission guidelines: nontoxic wood finishes only; no parts smaller than 1 1/4" square on toys for children under three years of age; no sharp corners or points; pull strings longer than 12" should not have beads or other attachments that could tangle and form a loop.
3. Entries must be received by February 1, 1993. All entries must be postpaid; collect entries will be refused. Attach an entry label, photocopy of an entry label or a 3-1/2" x 5" card with your name and address to each toy.
4. Woodworkers who build toys from existing plans will be eligible for First Prize and Special Citation prizes only. Woodworkers who build their own original designs will be eligible for all prizes. All entrants will receive a "buy one admission get one admission free" pass to Silver Dollar City (retail value \$20.00) within 4-6 weeks of receipt of toy. One coupon per person only, regardless of the number of toys sent in. No purchase necessary.
5. Entry constitutes permission to use winner's name, hometown and photograph for promotional purposes. Employees and family members of Meredith Corporation, their affiliates and subsidiaries are ineligible. Void in Quebec.
6. Winners will be selected and notified by mail on or about April 15, 1993, and will receive the prize directly from the manufacturer/distributor. For a list of winners, send a separate, self-addressed stamped envelope to BUILD-A-TOY, 1912 Grand Avenue, Des Moines, IA 50309-3379.
7. Meredith Corporation will donate all entries or auction money received from entries to the U.S. Marine Corps Reserve Toys-for-Tots program.
8. For woodworkers who enter their toy as an original design: Toy must be your own original design. A different approach to an existing toy would qualify. Please do not enter toys with only subtle changes from published patterns.
9. A panel of representatives from the U.S. Marine Corps Reserve, Meredith Corporation and woodworking experts will judge the toys on child's appeal, craftsmanship, originality, and durability. The panel's decision will be final.
10. Professional woodworkers include woodworking teachers and anyone earning income by selling wooden items.
11. Grand and First Prizes do not include transportation.

WOOD® Magazine's 1993 BUILD-A-TOYTM Competition

There is no limit to the number of entries. Please provide the following information for each toy submitted.

My entry is: Original design* Built from plans

My skill level is:
 Student (K-12) Home Hobbyist Professional

*For Original Design entries: I certify that I have designed and built this toy myself. Should my entry win, I agree to cooperate with WOOD Magazine to supply builder's notes and a bill of materials for publication.

Signature _____

Date _____

Name _____

Address _____

City _____

State _____ ZIP _____

Phone (____) _____

Send toys to: 1993 BUILD-A-TOY, WOOD Magazine, 1912 Grand Avenue, Des Moines, IA 50309-3379

**1993 BUILD-A-TOY ENTRY DEADLINE:
FEBRUARY 1, 1993.**

Worth writing for...

You can get useful ideas and product information by mail. Use the coupon in this section to order your choice of literature listed below. Each company mails the catalogs or information directly to you.

POWER TOOLS

SCROLL SAW, CRAFT & WOODWORKING CATALOG—Specialty products from the exclusive distributors of HEGNER, the precision saws with SCROLLVERGUEGEN. Complete information on scroll accessories, including blades and lettering guides. Also JET Clamps, HEGNER Lathes, PLANO Vertical Glue Press, and more. Toll-free customer service hotline included! AMI, LTD. \$2.00. *Circle No. 3.*

PROFESSIONALS ONLY—Information on the new line of FELDER BF6 woodworking machines, including table saw, shaper, jointer/planer and combination machines, starting as low as \$4,899. Also ULMIA Table Saws. Deal directly with the importer. Get complete information on the best professional machine value! AMI LTD. \$1.00. *Circle No. 4.*

TOOL CRIB CATALOG—offers a wide selection of merchandise for home woodworkers to industrial builders and features top manufacturers such as Dewalt, Black & Decker, Delta, Makita, Porter Cable, Bosch, Milwaukee, Ryobi, Freud and many more. We offer new competitive prices with quality service and same day shipping. 208 page revised catalog. It's worth it! TOOL CRIB. \$3.00. *Circle No. 6.*

PORTABLE SAW MILL—a one man saw mill weighing 45 lbs. Gas and electric models will cut dimensional lumber from logs up to 20 in. diameter. Send for brochure. BETTER BUILT CORP. Free. *Circle No. 10.*

TOOLS AND SUPPLIES—for cabinetmaking, antique restoring, woodturning, wood carving, picture framing, chair caning, marquetry and more—over 4000 products in all are featured in Constantine's 1993 Woodworkers' Catalog. 116 pages, full color, with every product guaranteed to please or your money back. 2 year subscription. CONSTANTINE'S. \$1.00. *Circle No. 20.*

175-PLUS USES GUIDE—for Dremel Moto-Tool. Written from the do-it-yourselfer's view, this book shows how to plan and do a variety of everyday projects using the versatile Moto-Tool and cordless Freewheeler. 96-page book with over 275 photos includes tips on using Moto-Tool with flex-shaft, drill press, router attachment, chainsaw sharpening attachment, shaper/router table. DREMEL. Free. *Circle No. 33.*

INCA MACHINERY INFORMATION—Complete information on the famous line of Inca woodworking machines. Designed for precision work by the small to medium sized cabinet shop. Used by thousands of hobbyists and professionals. Table saws, bandsaws, jointer/planers, dust collector, radial arm saw. GARRETT WADE CO. Free. *Circle No. 44.*

HOME LUMBER—For the largest selection of Makita at the right price. We also provide great pricing on Amana Carbides, Bostitch Air Nailers & David White Instruments. Same day shipping, free freight. We accept Visa, Mastercard, Discover, COD. Send for information. HOME LUMBER. \$1.00. *Circle No. 48.*

INTERNATIONAL TOOL CORPORATION CATALOG—features the best tools & accessories at the absolute lowest prices anywhere! Whether you are a home woodworker or an industrial user, you will find an incredible selection featuring Porter Cable, Bosch, Skil, Freud, Delta, Milwaukee, Hitachi, and many, many more. We offer same day shipping, the most knowledgeable sales staff and free shipping on most UPS orders in the continental U.S. INTERNATIONAL TOOL CORP. Free. *Circle No. 49.*

KASCO MANUFACTURING, SHELBYVILLE, INDIANA—manufactures and distributes a portable band saw mill,

plus a quality line of farm implements including disks, harrows, and chisel plows. Plus a labor-saving fertilizer auger loader and a bulk soybean auger loader for no till farming. Send for information. KASCO. \$1.00. *Circle No. 51.*

LOBO POWER TOOLS—Fine crafted woodworking power tool, top quality, affordable prices. A commitment of customer satisfaction, with a full 1 year warranty. We sell a complete line with many options for our band saws, table saws, planers, jointers, double drum sanders, edge sanders, wide belt sanders, power feeders and many, many more. Send today for a free brochure. LOBO POWER TOOLS. Free. *Circle No. 57.*

WOODWORKING MACHINE CATALOG—New 24-page color catalog introduces many new do-it-yourself woodworking machines. Includes planers, dust collectors, drill presses, sanders, lathes, and specializes in scroll saws and accessories. PENN STATE INDUSTRIES. Free. *Circle No. 75.*

DUST COLLECTOR SYSTEMS—Keep your shop clean and safe from saw dust with one of our large capacity Commercial Style Dust Collection Systems. Catalog features our new DC-3 1-1/2 H.P. Portable System. Free hose and adapters are supplied with any purchase. Full line of Dust Collection accessories is available from Penn State Industries. Catalog. PENN STATE INDUSTRIES. Free. *Circle No. 76.*

SURFACE PLANER—Information package available from Penn State Industries describing the specifications and applications of its super 12½ inch surface planer. Special discount pricing available on current promotion. PENN STATE INDUSTRIES. Free. *Circle No. 77.*

GET TO THE FINISH LINE FASTER—with a Performax drum sander. Don't spend hours with a hand-held belt sander. Sand ultra-wide stock ultra-smooth in just minutes. Models start at \$300 to \$3495. Select the model that fits your budget and your needs. New metal abrasive fasteners keep sandpaper tight without re-wrapping. PERFORMAX PRODUCTS. \$1.00. *Circle No. 78.*

TOOLS, TOOLS, TOOLS—Hand, power or stationary, we've got it. Send us a Buck and we'll send you our current Promotional Catalog. BEST OF ALL we'll refund that dollar to you on your first purchase. HOW CAN YOU LOSE? PHILIPPS BROS. SUPPLY, INC. \$1.00. *Circle No. 80.*

WOODWORKING TOOLS & ACCESSORIES—While the history of RB Industries goes back 60 years, this is the first time we've brought together all our precision-made tools and accessories in one catalog. The Hawk Precision Scroll Saw, 4-in-1 Woodplaner, Panel Master Door Machine, Router System, and much more. Quality equipment built here in the heart of America. When you buy from us, you deal directly with the manufacturer. Our prices, quality, and 3 year Warranty reflect our commitment. Send today for FREE information. RB INDUSTRIES, INC. Free. *Circle No. 84.*

MINI POWER TOOL CATALOG—Designed for easy reference, Ryobi's "shirt pocket" Power Tool Catalog includes our complete line of power tools, categorized by type: bench top, cordless, hand-held and stationary models. It features individual tool photographs with specifications and clear descriptions that offer specific uses and benefits. Accessories are also listed. Send for catalog. RYOBI. Free. *Circle No. 86.*

TOOLS ON SALE™—A division of Seven Corners Ace Hardware, Inc. offers a catalog of over 400 pages of the most popular brands of power tools available anywhere, all at discounted prices. Included are saws, planers, sanders, routers, drills and more from manufacturers such as Milwaukee, Makita, Porter Cable, Black & Decker, Dewalt, Freud, Bosch, Delta, and many more. Now introducing a full range of Werner brand ladders. Tools on Sale™ division of SEVEN CORNERS ACE HARDWARE, INC. \$1.00. *Circle No. 92.*

WILLIAMS & HUSSEY—Thousands of professionals use our American-made molder/planers to produce curved or straight moldings. Over 40 years of experience with a 5-year warranty. In the shop or at the job site, W & H meets

your needs every day with quick knife changeover and ultimate versatility with all kinds of wood. Send for catalog. WILLIAMS & HUSSEY. \$1.00. *Circle No. 93.*

PORTABLE SAWMILLS—Convert logs into valuable lumber—Wood-Mizer® Products manufactures a line of portable bandsaw mills that allows the novice as well as the experienced sawyer to safely convert standing logs into lumber. Then, with the use of our SolaryDry™ Kiln or Vacu-Kiln™ to dry your lumber, you could increase the value of every board you produce. We manufacture some of the most progressive woodworking equipment on the market today. Product videos available. Send for our 31-page catalog. WOOD-MIZER PRODUCTS. \$2.00. *Circle No. 94.*

TCM INDUSTRIES, TRANSPOWER—We carry a fine quality line of woodworking machinery, saws, shapers, planers and more. Send for free catalog. TCM/TRANSPOWER. Free. *Circle No. 98.*

HAND TOOLS

RADI-PLANE—Professional edge finishing tools. The RADI-PLANE lets you quickly round-over an edge without the time or trouble of routing and sanding. Duel, micro-adjustable cutters provide for a quick, precise rounded edge in just one pass. Send for more information. L. A. MATHERS CO. Free. *Circle No. 142.*

PERSONAL BRANDING IRONS—Brochure describes branding irons that enable you to put your name on your work quickly and easily. Made especially for branding wood, they are available with 1, 2, 3 or 4 lines of copy. Changeable date also available. NOVA TOOL CO. \$1.00. *Circle No. 160.*

IMPROVE YOUR WOODWORKING SKILLS!—Craftsmen around the world have discovered the secret of better quality work. The 72 page Japan Woodworker Catalog is loaded with a huge selection of Japanese saws, waterstones, chisels, gouges, carving tools, planes, cutlery and garden tools. Send for 1992 catalog and all supplements for two years. THE JAPAN WOODWORKER. \$1.50. *Circle No. 190.*

STAINS/FINISHES

ENVIRONMENTALLY SAFE FINISHING—High-solids lacquers, water-based varnishes, HVLP Sprayers, plus water and alcohol soluble stains and environmentally safe strippers are just a few of the 4000-plus products in Constantine's 1993 Woodworking Catalog. 116 pages of woods, veneers, moldings, trims, hardware, tools, books, plans and more—all guaranteed to please or your money back. 2 year subscription. CONSTANTINE'S. \$1.00. *Circle No. 210.*

PLANS

OVER 1500 WOODCRAFT PATTERNS!—Enjoy making gifts, toys, lawn ornaments, holiday designs, whirligigs, folk art, bird houses and feeders, household and yard accessories plus much more! Simple enough for the beginner, fun and profitable for the pro. Send for catalog plus sample pattern. ACCENTS IN PINE. \$2.00. *Circle No. 310.*

WOODWORKERS' PLANS AND SUPPLIES—Wood projects are simplified with the high quality plans, specialty hardware and other supplies offered by Armor Products. Over 100 plans are available for making toys, desks, clocks, pool tables, lamps, chests, and other furniture. Movements, dials, moldings, ornaments, dollhouse kits, door harp supplies and tuning pins are also available. ARMOR PRODUCTS. \$1.00. *Circle No. 315.*

SALES TESTED DESIGNS—available as plans only, parts kits, or plans and parts kits. Complete stock of parts, tools and supplies. Door Harps to Digital Electronic/Wood Projects. Full size plans! Catalog \$2.00 refundable on first order. CRAFTER'S MANT. \$2.00. *Circle No. 328.*

FULL-SIZE FURNITURE PLANS CATALOG—Illustrates and describes over 200 plans for making furniture of quality found in museums and fine furniture stores. Plans include rolltop desk, cradles, dining tables, chairs, buffets, chests, gun cabinets, poker table, children's furniture, rocking horse, spinning wheels, and more. Bill of materials exploded drawings assist the woodworker. FURNITURE DESIGNS, INC. \$3.00. *Circle No. 345.*

ROLL-A-WAY TOOL CABINETS—Have your tools where you want them with a roll-a-way tool cabinet. Plans available for model that will store under bench and for model that has a work surface 24" x 36". Send for information. JOHN'S WOOD PRODUCTS. \$1.00. *Circle No. 390.*

PROJECT PLANS—Full-size patterns for over 500 easy-to-build woodworking projects. Nation's leading source for scroll saw patterns, cow projects, toy plans, yard ornaments, wood furniture, etc. Over 3000 hard-to-find specialty items. Send for your big new 80-page catalog. MEISEL HARDWARE SPECIALTIES. \$2.00. *Circle No. 401.*

40 EASY TO MAKE PLANS—for crafts or gifts. Birdhouses, shelves, lawn ornaments, folding deck or lawn table, picnic table, lawn or porch swing, deacon bench, adirondack style chair, wall cabinet, doghouse, corner shelves, etc. Send for 40 plans. PINECRAFT PATTERNS. \$6.95. *Circle No. 425.*

LUMBER

QUALITY EXOTIC LUMBER/TURNING WOODS—We offer a comprehensive selection of fine quality exotic woods. Also available are mechanisms for making wooden barrel pens/pencils/roller balls/ fountain pens. Ebony, Kingwood, Tulipwood, Snakewood, African Blackwood, Cocobolo, Bloodwood, Figured Maple, Spaulded Maple, Padauk, etc. Unique and unusual turning woods and burls are also available. Send for catalog. BEREA HARDWOODS. \$1.00. *Circle No. 510.*

MORE THAN 4000 WOODS—veneers, inlays, carvings, legs, pegs, tools, moldings, finishes, decorative hardware, plus books, plans and more—everything for people who work with wood! Constantine's 181 years of woodworking experience make it the catalog woodworkers rely on; their 60-day money-back guarantee is your assurance of 100% satisfaction. 2 year subscription. CONSTANTINE'S. \$1.00. *Circle No. 515.*

WOODWORKERS! HELP CELEBRATE OUR 63RD YEAR OF SERVICE—Send for our new 116-page Craftsman 1992-93 Catalog #59. 42 varieties of choice hardwoods 3/4 in. to 4-in. thickness. Fine hardwood veneers, tools, moldings, trim, marquetry inlays, upholstery and lamp supplies, finishes, clock kits, and hard-to-find hardware. 4,000-plus items for your projects. CRAFTSMAN WOOD SERVICE CO. \$1.00. *Circle No. 520.*

STEVE H. WALL LUMBER CO.—Quality hardwoods and woodworking machinery for the craftsman and educational institutions. 16-page catalog lists 17 species of popular hardwoods at wholesale prices. Also dealers for MiniMax, Freud and ProCut woodworking machines. STEVE H. WALL LUMBER CO. \$1.00. *Circle No. 592.*

EXOTIC IMPORTED AND DOMESTIC HARDWOODS—Over 75 species of lumber, bowl blanks, turning squares and veneer. Samples (1/2" x 3" x 6") ideal for craftsmen, furniture and cabinet makers, architects, and designers available. Catalog provides common and botanical name, source, and description of each wood. Send for catalog. WOODWORKERS SOURCE. \$1.00. *Circle No. 598.*

GENERAL WOODWORKING CATALOGS

CONSTANTINE'S 181ST ANNIVERSARY CATALOG—is packed with woods, veneers, tools and supplies. Choose veneers in more than 81 varieties... inlays, overlays, hardwoods, moldings, trims, caning supplies, finishes, hardware, and tools, tools, tools! Over 4000 products, illustrated in full color and guaranteed to please or your money back. 2 year subscription. CONSTANTINE'S. \$1.00. *Circle No. 820.*

THE WOODTURNERS CATALOG—48 color pages of the finest woodturning tools, machinery and supplies available. Featuring Henry Taylor, Sorby, Richard Raffan and Dale Nish workshops. Catalog price refunded with order. CRAFT SUPPLIES USA. \$2.00. *Circle No. 830.*

MASTER TOOLS CATALOG—1992-93 236-page master woodworking tools catalog. Full line of the best hand tools, power tools & accessories, machinery, glues, finishing supplies, workbenches, and much more. Hundreds of books included. All four-color. Lots of technical information. GARRETT WADE CO. \$4.00. *Circle No. 855.*

GRIZZLY IMPORTS, INC.—Our new 1992 catalog is bigger and better than ever! We have added many new

items to our already large selection of affordably priced woodworking machines, tools and accessories. Send for your free woodworking source catalog. GRIZZLY IMPORTS INC. Free. *Circle No. 860.*

MINI POWER TOOL CATALOG—Designed for easy reference, Ryobi's "shirt pocket" Power Tool Catalog includes our complete line of power tools, categorized by type: bench top, cordless, hand-held and stationary models. It features individual tool photographs with specifications and clear descriptions that offer specific uses and benefits. Accessories are also listed. Send for catalog. RYOBI. Free. *Circle No. 925.*

DISCOUNT WOODWORKING TOOLS AND SUPPLIES—Get your FREE copy of Trendline's new 68 page full-color catalog. You'll find the best prices for over 3,000 brand name products including: power tools and accessories, hand tools, screws, hardware, wood components, plans, books, and much more. TRENDLINES. Free. *Circle No. 950.*

VERITAS—INNOVATION IN TOOLS—Order your FREE color catalog of woodworking innovations such as the Tucker Vise, Snug Plug tapered plug cutters, sharpening systems, drilling jigs for bookshelves, 32mm construction and Euro hinges, scraper burnishers, bench hardware kits, measuring devices and much more. VERITAS TOOLS. Free. *Circle No. 953.*

COMPLIMENTARY TOOL CATALOG—Woodcraft offers over 4,000 of the finest quality woodworking tools, books, supplies, and cabinetary hardware in our complete full color catalog. Craftsmen, cabinetmakers, carvers, woodturners, and hobbyists have depended on Woodcraft since 1928. Backed by Woodcraft's unconditional guarantee. Free technical assistance. WOODCRAFT SUPPLY CORP. Free. *Circle No. 955.*

THE WOODWORKERS' STORE CATALOG—New! The Woodworkers' Store 1992-93 catalog with over 150 new items features 100 full color pages of domestic and exotic hardwoods, veneers, wood parts, specialty hardware, kitchen accessories, finishing supplies, tools, books, and plans... Many exclusive items and hard to find specialties. Orders shipped in 24 to 48 hours. Over 37 years in business! Satisfaction guaranteed. Catalog. THE WOODWORKERS' STORE. \$2.00. *Circle No. 965.*

KITS

OUR QUEEN ANNE FURNITURE KITS—are ready to assemble and finish. They include dining room table, chairs, hutch, sideboard, a variety of occasional tables, and a personal desk. All are made in solid cherry, oak, walnut, and mahogany. We also stock individual Queen Anne legs for every project. Complete information in our brochure packet. ADAMS WOOD PRODUCTS. Free. *Circle No. 1002.*

DO-IT-YOURSELF KITS—Choose from a large selection of grandfather, wall and mantel clocks, as well as elegantly styled accent furniture pieces. Kits are made of solid 3/4" hardwoods, primarily cherry, oak, and black walnut. Buy direct from the factory and save. Send for 36 page color catalog. EMPEROR CLOCK CO. \$1.00. *Circle No. 1030.*

MUSIC MAKER'S KEEP BOOK—a 32-page resource catalog for building and learning to play handmade musical instruments. This source book contains plans, blueprints, kits, books, hardware, strings and accessories for building such instruments as guitars, banjos, dulcimers, harps, violins, pipes, and more. MUSICMAKER'S KITS. \$1.00. *Circle No. 1080.*

BUCKBOARD BENCH KIT—Kit includes, steel springs that give a little, metal arms and back rails, hardware, and complete instructions. Also available kit with oak parts cut to size. Send for information. THE ROUDEBUSH CO. 50¢. *Circle No. 1085.*

SHOP ACCESSORIES

WOOD TURNER'S DREAM!—De Pee's Ltd. Split Ring Holder surpasses all holders on the market in its ability to turn large projects in holder quickly, and still hold concentrically. Especially desirable for craftsmen who are into vase and bowl turning where it is necessary to do inside and outside turning. Send for information. DE PEE-S. \$1.00. *Circle No. 1220.*

LUMBER DRYING SYSTEMS—Ebac Lumber Dryers offers a wide variety of sizes from 50 B.F. to over 10,000 B.F. You get the highest quality lumber dried down to 6%–8% moisture content. Our controllers make them easy to operate and energy efficient. Kiln construction guide included to build your chamber. EBAC LUMBER DRYERS. Free. *Circle No. 1228.*

ECON-ABRASIVES—manufactures abrasive belts up to 52" wide in any grit. We carry hundreds of woodworking related accessories including: Velcro® backed discs, bar clamps, wood glue, drawer slides, chisels, hinges and hundreds of sanding accessories. Send for our 1992 catalog. ECON-ABRASIVES. Free. *Circle No. 1229.*

EASY DOES IT—with HTC'S power tool accessories. Discover many unique items, designed only with you, the dedicated woodworker, in mind. Make your machinery safer, increase the working area of your shop and accomplish nearly impossible tasks easily, quickly, accurately. Full-line catalog and price list. HTC PRODUCTS, INC. Free. *Circle No. 1245.*

WOOD MOISTURE METER—Avoid moisture problems such as cracking, warping, splitting, delamination etc. by using a moisture meter, as described in the latest brochure. Moisture Meter Mini-Ligno is designed for serious hobbyists and woodworkers. Attachments for depth measurements and remote reading during air and kiln drying are available. Available Moisture Range 6-20%, 6-36% or 4-30%, 4-60%. Catalog describes complete line of moisture meters. LIGNOMAT USA, LTD. Free. *Circle No. 1250.*

ROUTER SPEED CONTROL—Reduces speed electronically without reducing torque. Route at the speed that gives best results with the wood and bit you are using. Speed adjustable from full speed to 0 RPM. Less tear out—stops burning—less wear on bits—easy to use. Send today for information. MLCS LTD. Free. *Circle No. 1251.*

PUT YOUR ANGLE GRINDER INTO ORBIT!—With the MARSHCO RANDOM ORBIT SANDING HEAD you can transform your Angle Grinder into a top quality random orbit sander. You will be able to sand any wood, in any direction without leaving cross grain scratch, hook or swirl marks with 120 grit in just one pass-to finish. Send for information. MARSHCO PRODUCTS INC. \$1.00. *Circle No. 1253.*

BITS, BLADES, CUTTING TOOLS

BANDSAW BLADES FOR ALMOST ANY TYPE BANDSAW—both wood and metal cutting. Also circular saw blades, router bits, sanding belts and discs. Send for catalog. BUCKEYEE SAW CO. \$1.00. *Circle No. 1307.*

IS THERE SUCH A THING AS A BETTER ROUTER BIT?—CMT Tools takes router bit technology a step ahead with features such as Anti-Kickback Design, Teflon Coatings, Fatigue-Proof Steel and Micrograin Carbide. Send \$2.00 for full line catalog and receive \$5.00 credit toward next purchase. CMT TOOLS, INC. \$2.00. *Circle No. 1310.*

CASCADE TOOLS—New 1992 catalog is packed full of affordably priced, industrial grade s/y brand router bits and shaper cutters as well as hard to find accessories. Also included are many new items added just this year. CASCADE TOOLS, INC. Free. *Circle No. 1315.*

1992 EAGLE AMERICA WOODWORKING CATALOG—All new 1992 woodworking catalog featuring over 2,000 products. Includes a wide size and style assortment of router bits, shaper cutters, brad point drills, forstner bits, plug cutters, counterbores and sinks, rosette cutters, and many other hard to find and exclusive "Made in America" items. EAGLE AMERICA CORP. Free. *Circle No. 1320.*

FREUD—Premier line of carbide-tipped sawblades, router bits, shaper cutters and other woodworking tools. Freud offers a full-line on anti-kickback carbide-tipped router bits. Send for a free new router bit catalog. FREUD. Free. *Circle No. 1321.*

THE SOURCE FOR KNIFEMAKING SUPPLIES—We have PRE-SHAPED Blades, Rivets, Handle Materials, Baldor buffers and grinders, Polishing Wheels and Compounds, Dremel tools and Accessories, Belt Grinders and Abrasive Belts, Starrett Precision Tools, Files, Punches, Drill Bits, Panavise and Panapress, Woodcarving Tools and much more! Send for our Complete line catalog and we will include our "KNIFEMAKING PROJECT" booklet at no extra charge. JANTZ SUPPLY. \$3.00. *Circle No. 1330.*

PRODUCTION QUALITY CARBIDE TIPPED ROUTER BITS—MLCS Ltd. has a new 32-page catalog featuring hundreds of high quality carbide tipped router bits, shaper cutters, the Router Speed Control, the "Merle Adjustable Corner Clamp," plus other Professional Woodworking Products. Prices 50% to 70% lower than elsewhere. Value, quality and prompt service guaranteed! MLCS LTD. Free. *Circle No. 1350.*

BANDSAW BLADE CATALOG—Bandsaw blades for the wood craftsman. Professional and hobby type blades are offered at 30 to 50% savings. Any length blade can be made. Orders are shipped within 48 hours. Send for catalog. WOODCRAFT BANDS, INC. \$1.00. *Circle No. 1380.*

HARDWARE/WOOD PARTS

QUALITY OGEE FOOT MOULDING—We offer top quality hardwoods, various heights and patterns are available. These are assembled ready to install. Prices are reasonable. Send for free brochure. BLUE RIDGE MOULDING. Free. *Circle No. 1410.*

HARDWARE CATALOG—A unique 48-page catalog of the very finest in classic, traditional solid brass cabinet hardware. All of British or No. American manufacture. Double & single post handles, knobs, escutcheons, standard & specialty hinges, box hardware, brass screws, castors, latches, catches, locks, and more. GARRETT WADE CO. \$3.00. *Circle No. 1427.*

WOOD TOY PATTERNS—Patterns for all ages including children's patterns and executive toys. New catalog has many new patterns to choose from including parts and wheels. Send for new catalog and receive a coupon for free wheels and axle pegs. TOYS AND JOYS. \$1.00. *Circle No. 1480.*

INCOME OPPORTUNITIES

MAKE MONEY IN FURNITURE RESTORATION THE MINUTEMAN WAY—Earn \$200-\$1000 per day stripping, repairing, refinishing, mirror resilvering, and/or veneering, at home or in shop, spare time or full time. We provide complete training; no experience necessary. Free workshop teaches you latest in furniture restoration. You have to see it to believe it! Business preview video \$19.95. Send for catalog. MINUTEMAN. \$2.00. *Circle No. 1661.*

MISCELLANEOUS

MECHANISMS FOR MAKING WOODEN BARREL PENS—Pencils/Roller Ball Pens/Fountain Pens. High quality. Low prices. Wholesale/Retail. Plus other related items. BEREA HARDWOODS CO. \$1.00. *Circle No. 1900.*

DELPHI STAINED GLASS—80-page color catalog of stained glass and related supplies. Beveled glass, hard-to-find tools, hundreds of unique patterns, kits, books, videos, and lots more. For 18 years, we've supplied both hobbyists and professionals with quality products, friendly advice, and fast 24-hour shipping. All products guaranteed 100%. DELPHI STAINED GLASS. \$4.50. *Circle No. 1920.*

ARMRESTS FOR YOUR CAR—Add a TracTop® sliding cushion front center armrest with pullout tray. Models for foreign and domestic bucket seat cars. Honda, Saab, Audi, Ford, GEO, Volvo, etc. Color choices. #1 worldwide for 12 years! HUSCO ENGINEERING. \$1.00. *Circle No. 1960.*

HI-TECH ENGRAVING—You don't have to be an artist with the System One High Speed Engraver (400,000

RPM). The incredible high speed combined with SCM's exclusive stenciling system allows you to produce professional results. You can engrave on wood, glass, metal, stone, ceramic, egg shell. It's as easy as writing with a pen. Send for information. SCM ENTERPRISES. \$1.00. *Circle No. 1990.*

UNICORN STUDIOS—the woodworker's complete source for musical movements, features many types of wind-up and electronic musical movements and one of the largest selections of tunes anywhere. Many unique or hard-to-find tunes. Send for a full-line catalog. UNICORN STUDIOS. \$1.00. *Circle No. 2060.*

IF YOU ARE INTERESTED IN RESTORING ANTIQUES—this 264-page catalog packed with unusual, hard-to-find items is just for you. Included are hundreds of essential items for antique restoration including top quality brass reproduction hardware, oil lamps and accessories, numerous wood component repair parts and kits, caning and basketry supplies, everything needed for wood refinishing, related tools, books, and a complete line of upholstery equipment and supplies. All at wholesale prices. Send for this informative catalog. VAN DYKE'S RESTORERS. \$1.00. *Circle No. 2077.*

UNIQUE GREENHOUSE/SCREENHOUSE IDEA—A gardener's paradise during the winter months, a bug-free screen room during the summer months. That's the concept behind the versatile new Sun-Porch. This two-in-one sunspace features sturdy aluminum framing, 1" shatter-resistant glazing, do-it-yourself assembly, and mounts readily on decks, patios, landscape ties. Color catalog includes models, prices; sent first class mail. VEGETABLE FACTORY, INC. \$2.00. *Circle No. 2078.*

LEGAL IVORY—Virtually identical to animal ivory. Tagua is the nut from a tropical palm tree. Ideal for jewelry, knobs, small turnings, inlay, or scrimshaw. Available in 3 sizes. Send for information. WOODWORKERS SOURCE. Free. *Circle No. 2090.*

***THE WOODWORKING SHOWS* MACHINERY, TOOLS AND SUPPLIES**—Hundreds of products for the woodworker demonstrated and sold at discount prices at every "Woodworking Show". In-depth seminars and free workshops on a variety of woodworking topics. Shows are scheduled in 27 cities. Send for free brochure. *THE WOODWORKING SHOWS*. Free. *Circle No. 2095.*

CARVING SUPPLIES

WOOD CARVING MACHINES AND ACCESSORIES—make all types of wood carving easy, fun and profitable. The machines do the work. Whether for sign carving, flat 3-D, decoys, panels, gun stocks or furniture, we have the proper machine for the job. Professional woodcarving for the hobbyist and superior quality for the professional. Begin your hobby or full or part-time business by ordering our catalog and price list. MARLIN INDUSTRIES. \$1.00. *Circle No. 2150.*

ELECTRIC WOOD CARVING TOOLS—Sugino Auto-Mach electric carving tool chisels wood at up to 10,000 VPM. Safe, lightweight, easy-to-use, the pressure-activated head controls carving speed and depth, speeds carving faster than mallet and chisel methods. Professional quality suitable for novice and journeyman carver. Wide variety of hardened steel cutting blades. Operates on household current. SUGINO CORP. Free. *Circle No. 2170.*

WOODCARVING TOOLS—Whittlers and carvers—Warren Tool Co. offers a complete catalog of whittling and carving, hand/power tools, sharpening aids, wood cut-outs, and related wood carving supplies. WARREN TOOL CO., INC. \$1.00. *Circle No. 2185.*

WOOD CARVERS SUPPLY INC.—OUR 38TH YEAR—Complete 76-page color catalog including over 2,000 carving tools, books & supplies, such as carousel animal kits, gun checkering tools, ship model kits, plus much more. We offer great service, quality products and a 30-day money back guarantee. Send for 2-year subscription. WOOD CARVERS SUPPLY INC. \$2.00. *Circle No. 2190.*

1993 GLOBAL CARVING CHALLENGE—Aquatic Life: Over \$15,000 in cash & prizes will be handed out in the 1993 G.C.C. carving contest featuring all forms of aquatic life including a Mythical category. Mail in & hand delivered entries are both accepted. Send for free information. WOOD CARVERS SUPPLY, INC. Free. *Circle No. 2191.*

CLAMPS

MERLE ADJUSTABLE CORNER CLAMP—Quick & easy to use. It forces your work into square. Fully adjustable from 2" x 2" to 69" x 69" in. Perfect for clamping picture frames, cabinets, or anything that requires 90° corner clamping. The Merle Clamp is cast aluminum & steel construction, a true industrial quality tool. Send today for information. MLCS LTD. Free. *Circle No. 2250.*

QUAKER STATE WOODWORKING SUPPLY INC.—one of the largest "Quick-Grip" and "Jorgensen" dealers on the EAST COAST. Great prices along with expert service and advice will make QUAKER STATE your supplier of woodworking clamps and acc. Information and price list. QUAKER STATE. Free. *Circle No. 2260.*

CLOCKS

KLOCKIT'S FREE 64-PAGE COLOR CATALOG—is packed with the largest selection of beautiful wood clock kits for all skill levels, a huge selection of quartz and mechanical clock movements, dials and accessories, turned wood parts, music movements, tools and much more for the craftsman! KLOCKIT. Free. *Circle No. 2335.*

FASTENING PRODUCTS

SPECIALIZING IN SQUARE DRIVE SCREWS—Offering sizes 4 x 1/8" to 14 x 3" zinc plated, stainless steel, brass plated, solid brass, and black phosphorus. Also available T-nuts, cross dowels, joint connector bolts, caps and screws. A wide variety of hand tools and drive bits. Send for literature. BRUSS FASTENER. \$2.00. *Circle No. 2425.*

SQUARE DRIVE SCREWS—Thousands agree—once you try them you will never want to use anything else! The square drive recess virtually eliminates work-damaging driver bit "cam-out," the deep threads result in exceptional holding power, and they are heat treated for strength. Sizes from #4 x 3/8" to #12 x 4", with stainless steel, solid brass, brass plated, and zinc plated available. Quantity discounts. Send for literature. McFEELY HARDWOODS. \$1.00. *Circle No. 2450.*

TECH FORGE FASTENING PRODUCTS—Save as much as 50% on the nails, staples, and brads you need for our air driven nailers and staplers. You will receive a complete catalog of all the fasteners and tools and great savings over the normal store price or even over the prices charged regularly by other mail-order firms. Don't hesitate we will save you money. TECH FORGE INDUSTRIES, INC. \$1.00. *Circle No. 2475.*

Worth writing for...



Better Homes and Gardens®
WOOD Magazine, November 1992
Dept. NOW092
P.O. Box 2713
Boulder, Colorado 80329-2713

TO ENSURE PROMPT HANDLING OF YOUR ORDER FOLLOW THESE INSTRUCTIONS:

- Circle your choice
- Enclose check or money order for cost of booklets plus \$2.00 service charge (no stamps accepted)
- NO FOREIGN ORDERS ACCEPTED
- Send coupon and remittance to address above
- ALLOW 4-6 WEEKS FOR DELIVERY
- Coupon expires December 13, 1993

WOOD SUBSCRIPTION

1. A 1 year WOOD subscription (9 issues) for \$24.97 (U.S. price)—a \$10.58 savings off newsstand rate. Allow 6-8 weeks for first issue. Be sure to include payment with total below. NO FOREIGN ORDERS ACCEPTED ON THIS COUPON; please contact Subscription Dept. directly.

Circle numbers below corresponding to items in this issue. Please include \$2.00 for handling charge.

3.....\$2.00	77.....Free	310.....\$2.00	830.....\$2.00	1228.....Free	1380.....\$1.00	2095.....Free
4.....\$1.00	78.....\$1.00	315.....\$1.00	855.....\$4.00	1229.....Free	1410.....Free	2150.....\$1.00
6.....\$3.00	80.....\$1.00	328.....\$2.00	860.....Free	1245.....Free	1427.....\$3.00	2170.....Free
10.....Free	84.....Free	345.....\$3.00	925.....Free	1250.....Free	1480.....\$1.00	2185.....\$1.00
20.....\$1.00	86.....Free	390.....\$1.00	950.....Free	1251.....Free	1661.....\$2.00	2190.....\$2.00
33.....Free	92.....\$1.00	401.....\$2.00	953.....Free	1253.....\$1.00	1900.....\$1.00	2191.....Free
44.....Free	93.....\$1.00	425.....\$6.95	955.....Free	1307.....\$1.00	1920.....\$4.50	2250.....Free
48.....\$1.00	94.....\$2.00	510.....\$1.00	965.....\$2.00	1310.....\$2.00	1960.....\$1.00	2260.....Free
49.....Free	98.....Free	515.....\$1.00	1002.....Free	1315.....Free	1990.....\$1.00	2335.....Free
51.....\$1.00	142.....Free	520.....\$1.00	1030.....\$1.00	1320.....Free	2060.....\$1.00	2425.....\$2.00
57.....Free	160.....\$1.00	592.....\$1.00	1080.....\$1.00	1321.....Free	2077.....\$1.00	2450.....\$1.00
75.....Free	190.....\$1.50	598.....\$1.00	1085.....50¢	1330.....\$3.00	2078.....\$2.00	2475.....\$1.00
76.....Free	210.....\$1.00	820.....\$1.00	1220.....\$1.00	1350.....Free	2090.....Free	

Name (please print) _____

Address _____

City _____

State _____ Zip Code _____

Phone (Optional): _____

I AM ENCLOSING:

\$ _____ for priced items

\$ 2.00 for handling

\$ _____ total remittance

DELTA TOOLS			
Model	List	Sale	
23-700	Waldy Grinder	234	159
23-680	8" Bench Grinder 1/4 HP	86	75
23-880	8" Bench Grinder 1/2 HP	119	111
11-850	1" Drill Press	119	141
28-180	10" Hobbly Band Saw	210	145
31-050	1" Belt Sander 2.0 amp	104	78
31-460	4" Belt Disc Sander	198	145
31-340	1" Belt/Disc Sander	258	168
31-080	1" Belt/Disc Sander	134	94
40-560	16" 2 speed Scroll Saw	266	185
11-990	12" Bench Drill Press	275	209
11-090	32" Radial Bench Drill Press	399	285
43-355	3/4" Shaper 1-1/2 HP	954	709
43-505	1/2" Bench Router/Shaper	399	279
22-540	20" Floor Drill Press	595	398
36-220	10" Compound Mitr Saw	350	239
28-180	Bench Band Saw	232	167
40-640	20" Bench Scroll Saw	465	319
23-675	NEW 6" Grindr/3x24Bt Sndr.	141	105
14-900	Hollow Chisel Mortiser	668	445
46-700	12" Wood Lathe	588	419
34-761	10" Unisaw 1-1/2 HP	1715	1295
Unisaw has \$100 rebate-price is before rebate			
33-990	10" Radial Arm Saw	818	589
37-280	6" Motorized Jointer	488	395
50-179	3/4 HP 2 stage Dust Collector	483	335
70-200	20" Floor Drill Press	1049	815
33-055	8-1/4" Sawbuck comp w/flegs	865	579
34-330	8-1/4" Table Saw 13A	343	228
32-100	Station Floor Jointer	645	265
36-040	8-1/4" Compound Mitr Saw	224	166
34-915	30" Unifence	385	239
34-897	50" Delta Unifence	525	285
36-755	10" Tilt Arbor Saw	1264	935
34-444	Contractors Table Saw	650	615
17-900	16" 1/2" Floor Drill Press	495	395
40-601	15" Scroll Saw with stand	942	719
22-662	13" Planer complete - 2HP	1499	1169
33-060	NEW "Speedick" Mitr Saw	499	379
14-070	NEW 14" Floor Drill Press	450	325

The following Delta tools have a \$50.00 Rebate!
Price shown is before rebate

28-283	14" Band Saw w/fleg. stand	910	725
34-445	34" 3/4" Saw w/30" Unifence	1200	799
37-154	QJ15 6" Jointer w/34HP motor	1420	1079

MILWAUKEE TOOLS			
6527	NEW Sawzall with case	299	164
6528	above Sawzall w/wired cord	295	164
6125	NEW 5" Random Orbit Sander	200	119
6126	NEW 6" Random Orbit Sander	205	125
9399-1	12V cordless Drill Kit comp.	304	164
4002-1	above Drill w/keyless chuck	309	165
9395-7	9.6V cordless Drill with case	284	158
9224-1	3/8" Drill 4.5 amp magnesium	203	114
9234-1	1/2" Drill 4.5A mag 0-850 rpm	223	119
9244-1	1/2" Drill 4.5A mag 0-800 rpm	223	119
9222-3	3/8" Drill 3.5 amp 0-1000 rpm	189	107
9228-1	3/8" Drill 3.5 amp 0-1000 rpm	183	104
9375-1	3/8" close quarter Drill	223	127
9379-1	1/2" close quarter Drill	254	145
8539-1	1/2" Screwdriver 190 rpm	127	75
8546-1	1/2" Screwdriver 200 & 400 rpm	138	82
5399	1/2" D-handle Hammer Drill Kit	319	184
6750-1	Drywall Gun 0-4000 5 amp	162	93
6507	Original SawZall with case	249	135
8014	Orbital Sander 1/2 sheet	214	119
8977	variable temp. Heat Gun	122	75
5397-1	3/8" var. spd Hammer Drill Kit	244	138
5371-1	1/2" var. spd Hammer Drill Kit	335	185
3107-1	1/2" vspd right angle Drill Kit	370	198
6754-1	Drywall Gun 0-4000 5.4 amp	192	114
3900-1	1/2" var. spd right angle Drill	329	184
5680	Router 2 HP - 12 amp	355	198
9235-1	1/2" Drill w/keyless chuck	223	125
6145	4" Drill 10,000 rpm	162	98
6142	6145 with case & accessories	199	129
6748-1	Drywall Gun 0-2500 5.4 amp	224	122
6385	7-1/4" Circular Saw 13 amp	214	120
6387	above Saw - double insulated	209	125
6386	6385 w/fines carb. blade & case	244	138
6385	6385 w/fines carb. blade & case	244	138
5377	7-1/4" Worm Drive Saw	324	178
6256	Top Handle Jig Saw	220	135

FREUD CARBIDE TIPPED SAW BLADES			
Item	Description	Teeth	List Sale
LJ72M010	Gen Pur. A.T.B. 10"	60	67 37
LJ82M010	Comb 10"	60	90 49
LJ84M011	Comb 10"	50	76 40
LJ85M010	Super Cut-off 10"	60	112 58
LJ72M010	Ripping 10"	24	38 38
LJ73M010	Cut off 10"	60	82 44
LJ87M010	Tin Kerf 10"	24	78 38
LJ88M010	Tin Kerf 10"	60	86 42
LJ98M010	Ultimate 10"	80	125 67

XTRA SPECIAL
Buy a LJ85M010, LJ72M010 & LJ84M011 blade set for 134.00 and receive a FREE one year subscription to BHG Wood Magazine!

TK206	10" Framing	24	35
TK303	7-1/4" Finishing	40	37
TK306	10" Finishing	40	46
TK906	10" Combo	50	29
SD306	6" Dado - Carbide	215	109
SD308	8" Dado - Carbide	229	119
F0	1-3/4" x 5/8" Biscuit 1000 Qty.	32	29
F10	2-1/8" x 3/4" Biscuit 1000 Qty.	32	29
F20	2-3/4" x 1" Biscuit 1000 Qty.	34	29
FA	Assorted Biscuits 1000 Qty.	34	29
FB100	16 piece Forstner Bit Set	331	174
FB100	5 pc. Router Bit Door System	319	165
FT2000E3-1/4	HP vspd Plunge Router	410	209
JS100	Biscuit Jointer with case		
& FREE G100 Glue System... 344 162			

MAKITA TOOLS			
Model	List	Sale	
60700D	3/8" vspd Reverse Drill 7.2V	124	74
60710D	above Drill w/removable bat.	194	109
50900D	3-3/8" Saw Kit 9.6 volt	250	136
60150D	3/8" cordless Drill Kit 7.2V	96	59
DA3000D	3/8" Angle Drill 7.2 volt	241	136
4390D	9.6 cordless Recip Saw Kit	234	129
ML900	Incandescent Flashlight 9.5V	54	37

6012HDW	2 speed Drill w/clutch comp.	236	125
60920D	var. speed Drill Kit complete	257	127
60930D	vspd Drill w/clutch comp.	261	135
60930DWE	60930D Drill Kit w/2 batteries	270	139
60930DWL	60930D Drill Kit w/Flash Li	299	169
60950D	60950D Drill Kit w/2 batteries	270	139
632007-4	9.6 volt Battery	47	30
632002-4	7.2 volt Battery	39	28

5007NBA	7-1/4" Saw w/electric brake	243	129
5008NBA	8-1/4" Saw w/electric brake	301	162
804510	1/4 sheet Pad Sander	93	54
9900B	3" x 21" Belt Sander w/bag	283	148
9924DB	3" x 24" Belt Sander w/bag	299	159
9045N	1/2 sheet Fin. Sander w/bag	246	129
4031BV	Orb. var. spd Jig Saw 3.5A	282	142
JR2000D	var. speed Recip Saw w/case	239	129
LS1020	10" Mitr Saw 3.5 amp	571	298
9820-2	Blade Sharpener	394	194
1900BW	3-3/4" Planer with case	221	116
1911B	4-3/8" Planer 7.5 amp	255	139
1107	10" 3-1/4" Planer with case	434	229
9207SPC	7" Sander/Polisher	294	154
9514B	4" Disc Grinder 4.6 amp	100	59
3601B	1-3/8 HP Router	261	139
804550	1/4 sheet Pad Sander w/bag	91	54
DA3000R	3/8" Angle Drill	285	149
HP2010N	3/4" var. spd Hmr Drill w/case	304	165
2708R	8-1/4" Table Saw	519	268
2711	10" Table Saw with brake	868	485
5005BA	5-1/2" Circular Saw	239	135
6404	3/8" Drill Rev. 0-2100 rpm	210	115
6510LVR	3/8" Drill Rev. 0-1050 rpm	152	83
6920V	0-4000 rpm Drywall Gun 5.2	216	90
6013BR	1/2" Drill Rev. 6 amp	263	139
5402A	16" Circular Saw 12 amp	675	345
3612BR	3 HP Plunge Router	347	164
9401	4" x 24" Belt Sander w/bag	343	174
4302C	var. speed Orbital Jig Saw	283	154
5077B	7-1/4" Hypoid Saw	260	138
LS1440	14" Mitr Saw	759	429
LS1030	NEW 10" Mitr Saw	428	225
5007NB	7-1/4" Circular Saw 13 amp	214	114
2012	12" Portable Planer	913	465
LS1011	10" Slide Compound Saw	859	439

SENCO AIR NAILERS			
SFN1	Finishing Nailer 1" - 2"	377	275
SFN2	Finish Nailer 1-1/2" - 2-1/2"	517	395
SN325	Nailer 1-7/8" - 3-1/4"	665	455
SN4	General purpose 2" - 3-1/2"	685	468
LS2	Planner 5/8" - 1"	351	255
SKS	Planner 5/8" - 1-1/2"	351	255
LSS	Striper 1" - 1-1/2"	399	285

BOSTITCH AIR NAILERS			
N80S-1	Stick Nailer	Super Sale	385
N80C-1	Utility Coil Nailer		845 409
N12B-1	Coil Roofing Nailer		845 418
N80FN-2	Finishing Nailer		625 315
T31	Brad Nailer		270 162
CWC100	1 HP Pancake Compressor		445 295

SKIL SIZZLERS			
3810	10" Mitr Saw	263	205
3810K	3810 w/60 tooth Carbide Blade	229	189
577	7-1/4" Worm Drive Saw	230	144
5825	6-1/2" Worm Drive Saw	255	159
2735-04	12 volt cordless Drill Kit	210	134
2735-04X	2735-04 with keyless chuck	235	137
1605-02	NEW Biscuit Jointer w/case	200	125
7584	NEW 5" Rndm Orbit Sander	160	104

PANASONIC CORDLESS			
EY6205BC	NEW variable speed 12 volt Drill w/15 minute charger & case	390	169
EY6200B	NEW 2 speed 12 volt Drill D-handle with 15 minute charger	350	178
EY6281BC	NEW variable speed 9.6 volt Drill w/15 minute charger & case	339	168
EY571B	var. speed 9.6 volt Drill Kit	250	128
EY571BC	EY571B with case & 2 batts.	275	158
EY6207BCNE	12 volt 1/2" Drill w/keyless chuck var. speed w/15 minute charger & case	421	216

PASLOU IMPULSE GUNS			
IM250	Trimspule Finish Nailer Kit	849	615
IM325	Impulse Framing Nailer Kit	849	615
402500	Extra Battery		Sale 42.95

HITACHI TOOLS			
C75B	7-1/4" Circular Saw	214	109
DT10	3/8" 7.2 volt cordless Drill	138	78
C7BD	7-1/4" Circular Saw with brake	230	127
1179	NEW 3 HP var. speed Router	447	225
TR12	Plunge Router 3 HP	354	174
F1000A1-2	Planer/Fin. Jointer	2835	1535
C10FA	10" Deluxe Mitr Saw	538	274
C12FA	NEW 12" Mitr Saw	632	305
CF8F	6-1/2" Slide Compound Saw	889	445
FREUD LJ91M068-1/2"	Carb bid 48 ft.	68	43
C15FB	15" Mitr Saw	745	379
FREUD LJ95M015	15" carb bid 108 tooth	160	105
We now stock Hitachi Air Nailers!			

1992 TOOL CATALOG AVAILABLE
Call Toll-Free 1-800-328-0457 In Minnesota Call (612)224-4859
FAX: (612)224-8263
CHECK • MONEY ORDER • VISA • MASTERCARD • DISCOVER
SEVEN CORNERS ACE HDW. Inc.
216 West 7th St. • St. Paul, MN 55102 • Est. 1933

Buy any 2 Power Tools - (can be assorted)
Deduct additional 3% from Sale prices!

Buy any 5 Power Tools - (can be assorted)
Deduct additional 5% from Sale prices!

DELTA #34-080 10" MITRA BOX XTRA SPECIAL 198.00

TOOLS ON SALE™
AMERICA'S LOWEST PRICED TOOLS
FREE FREIGHT TO THE 48 CONTINENTAL STATES ON EVERY ITEM
PRICES SUBJECT TO CHANGE WITHOUT NOTICE

DEWALT TOOLS			
DW3647-1/4"	Circ. Saw w/bake 13 A	245	148
DW847K	13.2 volt cds 3/8" drill kit	277	209
DW6101-1/2	HP 2 handle Router	350	139
DW411	1/4 sheet Palm Sander, 1.7 amp	87	55
DW1003B	Drill, 4 amp 0-2500 rpm, rev	110	65
DW2544.5	amp Drywall Gun, 0-2500 rpm, rev.	146	88

PORTA NAILER			
401	Porta Nailer complete	265	198
501	Face Nailer complete	265	198
We stock genuine Porta nails!			

WERNER LADDERS			
6204	4' Fiberglass	179	65
6205	5' Fiberglass	199	75
6206	6' Fiberglass	215	

HENRY FORD NEVER WASTED WOOD

Until its closing in 1951, Ford Motor Company's Iron Mountain plant had the world's largest hardwood sawmill. Located in Kingsford, Michigan, the plant supplied all the wooden body parts for Ford vehicles. And no wood was wasted in the processing.

Bark and scrap from sawing timber into lumber went to the chemical plant for conversion to anti-freeze and ethyl acetate. Then, the residue from the chemical processing was passed on to the carbonization plant where it was made into charcoal briquets (Ford was thus the first to manufacture briquets as we know them). Sawdust and wood waste from parts manufacturing fueled the fires that made steam for the wood-drying kilns and to power some machinery.

After the facility shut down, Ford leased parts of it for a number of years to the Kingsford Chemical Co. Today, nothing remains of the remarkable plant except a pile of rubble and some smokestacks. But Kingsford charcoal briquets, now made by a California company, remain a backyard reminder of Henry Ford's thriftiness.



TREE TRIVIA

How many kinds of trees do we have? The United States alone has 865 native species of trees, and about 200 naturalized species.

The tree with the largest range is the quaking aspen. It's found all across Canada and everywhere in the U.S. except the South and Southeast. Ashe's birch has the smallest—one county in Virginia.

Illustrations: Jim Stevenson

Photograph: courtesy of Radio Flyer

BACK TO THE PRESENT WITH RADIO FLYER'S NEW WOOD WAGON

In tribute to the Old-World craftsmanship the company's founder brought to America in 1917, Chicago's Radio Flyer, Inc. has returned real wood to kids' coaster wagons. The Flying Eagle (about \$100 retail), shown *right*, is one model in a new line of Craftsman Classics that features oak construction.

The original Liberty Coaster wagon was built by night in a one-room shop, then sold by day in the Windy City. Its name came from the freedom found in a new homeland. The



A design drawn from yesteryear—the wooden Flying Eagle coaster wagon.

red, all-steel Radio Flyer wagon introduced in 1933 still makes up part of the riding-toy line. For a nearby dealer, call 800/621-7613.

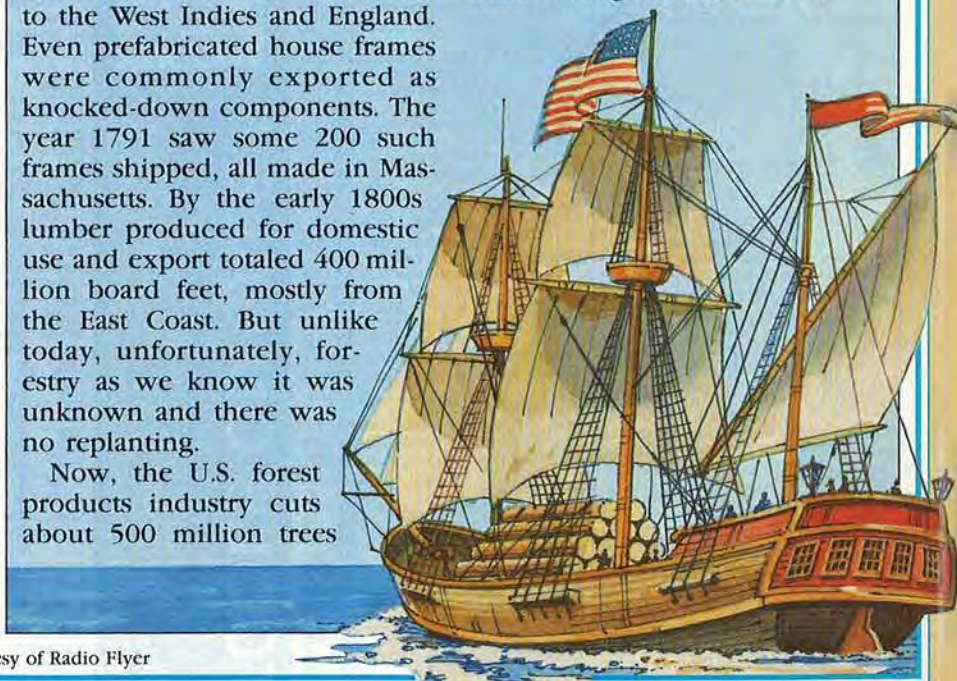
FOREST PRODUCTS: PAST AND PRESENT

The exportation of American wood and wood products isn't unique to the 20th century. In the 1600s, for instance, the Massachusetts Bay Company regularly shipped hand-split pine and cedar clapboards and shingles to England for resale.

In 1770, the colonies exported 42 million board feet of lumber to the West Indies and England. Even prefabricated house frames were commonly exported as knocked-down components. The year 1791 saw some 200 such frames shipped, all made in Massachusetts. By the early 1800s lumber produced for domestic use and export totaled 400 million board feet, mostly from the East Coast. But unlike today, unfortunately, forestry as we know it was unknown and there was no replanting.

Now, the U.S. forest products industry cuts about 500 million trees

annually, and exports an estimated 9 billion board feet of wood products made from them. To replace the harvest, industry, federal and state agencies, municipalities, and individual tree farm owners plant nearly 3 billion seedlings each year as well as stimulate natural regeneration through silviculture. 🌲



NOW! PLANE, MOLD, SAND and SAW with

Infinitely Variable Power-Feed!

MAKES YOU MONEY... SAVES YOU MONEY!

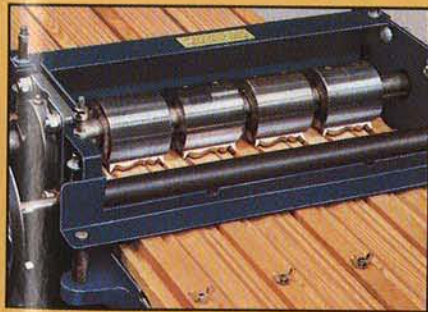
Put this versatile power-feed tool to work in your shop... see how fast it pays for itself! Quickly converts low-cost rough lumber into valuable finished stock. Turns out perfect picture frame moldings, quarter-round, casing, tongue and groove... all popular patterns... any custom design.

✔ **Just a twist of the dial** puts twice as many cuts-per-inch at your fingertips as any comparable planer – from 70 to over 1,000 CPI! This heavy-duty machine will sail through even the toughest oak at higher speeds, or you can slow it down to handle those “hard-to-work” pieces like curly maple, knotty cedar, burls, knees and much more! A valuable feature for molding work, where profiles make sanding impossible.

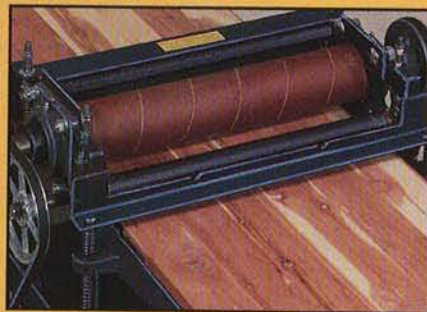
✔ **Change to Molding, Sanding or Sawing in just minutes!** Unique “Morse-Taper” Quick Change Cutterhead guarantees fast changeover... bearings remain factory set... precisely aligned at all times.

✔ **Now choose from three powerful models!** Woodmaster introduces the first 18" and 25" Planer/Molders... with all the features that have made the 12" model the most versatile Planer/Molder on the market! Send for Free Facts today!

FREE 30-DAY TRIAL!



Woodmaster's Quick-Change Molding Head lets you create custom moldings from any stock. Choose from over 250 standard trim and picture frame patterns... or design your own!



Power-fed sanding speeds production and improves the quality of your work. No more waves or cross-grain scratches. Separate sanding head installs in just minutes.



New rip saw attachment lets you gang-rip with power feed in a fraction of the time it takes for multiple hand-fed passes on an ordinary table saw.

MAIL TODAY OR CALL
1-800-821-6651 Ext PW57

FREE FACTS



YES! Please rush me your FREE Information Kit plus details on your 30-DAY FREE TRIAL GUARANTEE!

Woodmaster Tools, Dept. PW57, 2908 Oak, Kansas City, MO 64108

NAME _____

ADDRESS _____

CITY _____

STATE _____ ZIP _____

PHONE () _____

Here's What Woodmaster Owners Say:

Shop Test Results—"It does an excellent job of planing, on a par with more expensive machines, and even better than some commercial models."

Editor, Workbench Magazine

Best Value—"After checking them all, Woodmaster was obviously the best deal for the money. Also, I would like to acknowledge the polite and prompt service."

E. D. Holtz, North Carolina

Create a Mouse.

Two great new tools in the Craftsman Contractor Series can take you from the detail of a mouse to the structure of a house.



It's a fact! Our new 20" Scroll Saw lets you cut the corners a little finer thanks to the many features we've designed in . . . a specially tuned leg stand and our anti-vibration counter-weight system for superb control at the cutting line; variable speed capability for cutting different materials; pin and plain-end blades for the finest detail work; extra large storage capacity to keep all your blades conveniently at hand.

Any way you cut it, Craftsman's Contractor Series tools provide the professionalism you need for your next project. See them at your local Sears retail store, or order direct from our Sears catalog by dialing our toll free number, 1-800-366-3000.

Frame a House.



And Craftsman's new 8 1/4 Slide Compound Miter Saw is also a remarkable tool. It can cleanly cut a 2" x 12" at the job site, or tackle the intricate compound angles required for crown moldings and trim work.

Its 10 amp motor, four miter stops left and right of zero, the built in crown molding scales, and attractive price help make it an industry leader.

CRAFTSMAN®

Only at Sears