

PULLOUT
PROJECT PATTERNS

WOOD

THE WORLD'S LEADING WOODWORKING MAGAZINE

FEBRUARY 1995 • ISSUE NO. 77
Please display until February 13

10 CHOICE PROJECTS

Read all about it ...
**THE ULTIMATE
PAINTED FINISH**

Page 52

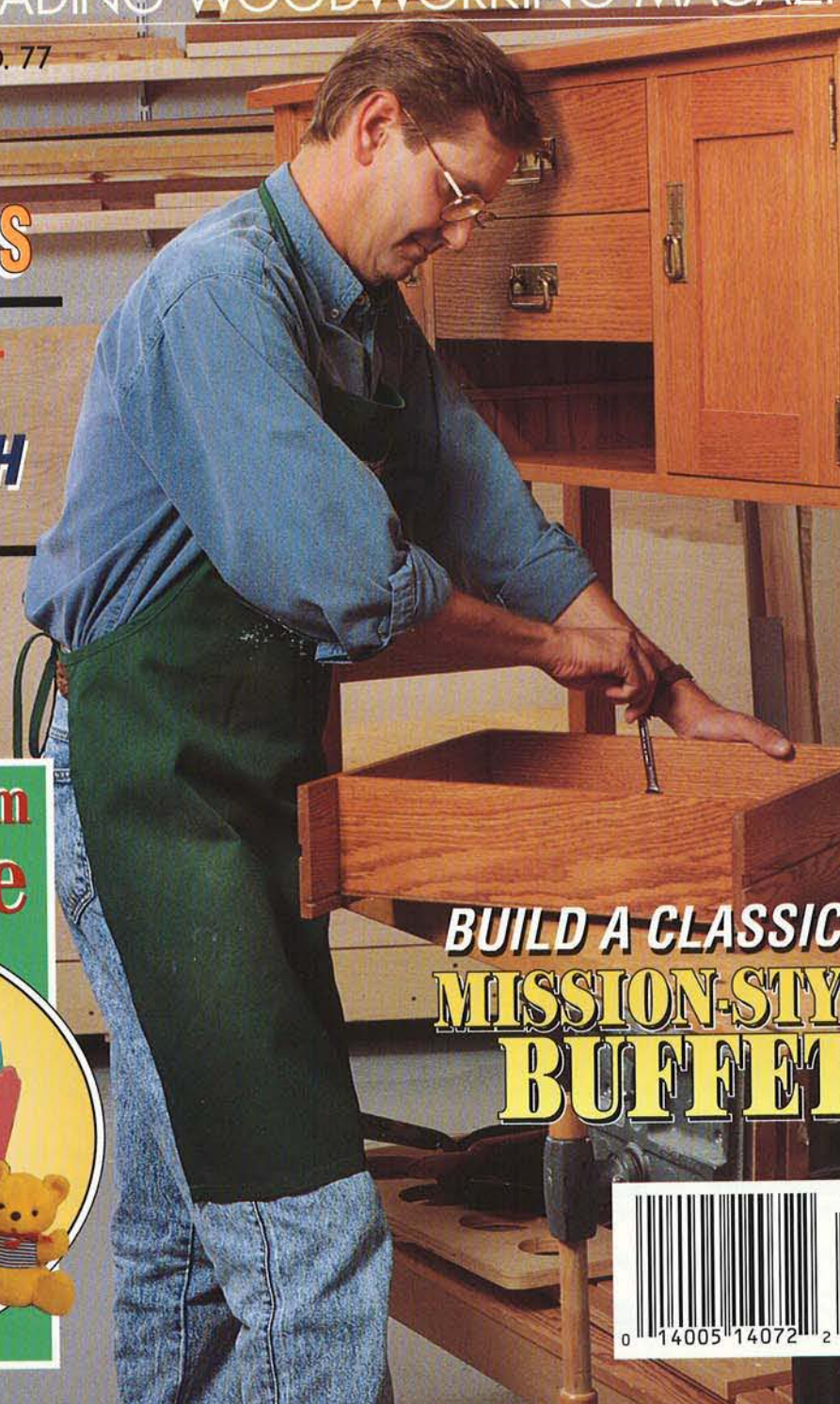
Keep tools sharp!
**WET-WHEEL
GRINDERS**

Kids' Playroom Furniture



See page 46

BUILD A CLASSIC... MISSION-STYLE BUFFET





IMPORTS, INC.

PROVIDING EXCELLENT CUSTOMER SERVICE AND SATISFACTION FOR OVER A DECADE!

Grizzly Imports, Inc. has been in the importing business for over a decade now! There are many reasons for our success, but the most important is that our satisfied customers keep coming back. Every aspect of Grizzly Imports is geared toward making your experience with us as easy and pleasant as possible. **Give us a try, you won't be disappointed!**



• Friendly phone operators



• Knowledgeable technical service



• One-on-one customer service



• Fast, efficient shipping department

12" PLANER MODEL G1017

Comes with free extra set of knives!



SALE \$395⁰⁰

- 2 H.P., 110V motor
- Dual-knife cutterhead
- Capacity: 12" wide x 5 1/2" thick stock
- Optional dust hood available
- Complete with instruction manual
- Shipping weight: approx. 87 lbs.

15" PLANER MODEL G1021

Reg. \$765⁰⁰



SALE \$765⁰⁰ w/ stand

- Single phase, 2 H.P., 220V motor
- Capacity: 15" wide x 6" thick stock
- Automatic infeed and outfeed rollers are chain driven
- Cast-iron table measures 15" x 20" with 15" extensions on each side
- Shipping weight: approx. 475 lbs.

20" PLANER MODEL G1033

Reg. \$1195⁰⁰



SALE \$1095⁰⁰

- Single phase, 3 H.P., 220V motor
- Capacity: 20" wide x 8" thick stock
- Anti-kickback fingers prevent board from accidentally backing up
- Precision ground cast-iron table measures 26" x 20"
- Shipping weight: approx. 800 lbs.

16" BANDSAW MODEL G1073

Reg. \$550⁰⁰



SALE \$525⁰⁰

- 1 1/2 HP, 220V motor
- Heavy-duty rip fence
- One piece, cast-iron body
- Hinged wheel covers
- Micro-adjustable blade guides
- Shipping weight: approx. 430 lbs.

2 HP DUST COLLECTOR MODEL G1029

Reg. \$275⁰⁰

Comes with a free hose!



SALE \$255⁰⁰

- Single phase, 220V, 2 HP motor
- Handles two machines with ease
- Suction capacity: 1182 cfm
- Complete with instruction manual
- Shipping weight: approx. 124 lbs.

COMBINATION SANDER 6" x 48" BELT - 9" DISC MODEL G1014

Reg. \$195⁰⁰



SALE \$179⁰⁰

- 3/4 HP, single phase motor
- Complete with miter gauge
- All cast-iron body construction
- Shipping weight: approx. 114 lbs.

16" DRUM SANDER MODEL G1079

Reg. \$795⁰⁰



SALE \$795⁰⁰

- Single phase, 220V, 1 1/2 HP motor
- Separate 1/4 HP belt feed motor
- Dual belt-driven sanding drums
- Heavy-duty steel cabinet
- Built-in dust collection ports
- Shipping weight: approx. 325 lbs.

24" DRUM SANDER MODEL G1066

Reg. \$1095⁰⁰



SALE \$1075⁰⁰

- Single phase, 220V, 5 H.P. motor
- Separate 1/4 H.P. belt feed motor
- Dual belt-driven sanding drums
- Heavy-duty magnetic switch
- Built-in dust collection ports
- Shipping weight: approx. 451 lbs.

OSCILLATING SPINDLE SANDER MODEL G1071

Reg. \$495⁰⁰



SALE \$495⁰⁰

- Heavy-duty 1 HP, 110/220V motor
- Cast-iron 24" x 24" table tilts to 45°
- Ten spindle sizes: 1/4", 3/8", 1/2", 5/8", 3/4", 1", 1 1/4", 1 1/2", 2", 3" and 4"
- Built-in dust collection ports
- Shipping weight: approx. 325 lbs.

1 1/2 HP SHAPER MODEL G1035

Reg. \$435⁰⁰



SALE \$395⁰⁰

- 1 1/2 HP, 110/220V motor
- 2 interchangeable spindles (1/2" & 3/4")
- Precision ground, cast-iron table
- Dual speed, reversing motor
- 2 independently adjustable 2 1/2" x 10" fences
- Shipping weight: approx. 220 lbs.

10" HEAVY-DUTY TABLE SAW MODEL G1022

Reg. \$375⁰⁰



SALE \$345⁰⁰

- 1 1/2 HP, 110/220V motor
- 2 cast-iron wings
- Precision ground cast-iron table top with T-slots
- Table size with extension wings: 41" x 27"
- Shipping weight: approx. 255 lbs.

10" TILTING ARBOR SUPER HEAVY-DUTY TABLE SAW MODEL G1023

Reg. \$795⁰⁰



SALE \$750⁰⁰

- 3 HP, 220V motor
- Precision ground solid cast-iron table and wings
- Steel miter gauge
- Shipping weight: approx. 450 lbs.

All Machines F.O.B. Bellingham, WA or Williamsport, PA

Ask For Our **FREE** '95 Catalog!



GRIZZLY WEST: 1-800-541-5537

P.O. Box 2069, Bellingham, WA 98227 Customer Service: (206) 647-0801 FAX: 800-225-0021

GRIZZLY EAST: 1-800-523-4777

2406 Reach Rd., Williamsport, PA 17701 Customer Service: (717) 326-3806 FAX: 800-438-5901

Better Homes and Gardens®

WOOD®

THE WORLD'S LEADING WOODWORKING MAGAZINE

February 1995 • Vol. 12, No 2 • Issue No. 77

Publishing Director **MAX RUNCIMAN**

Editor **LARRY CLAYTON**

Managing Editor **JIM HARROLD**

Art Director **C. L. GATZKE**

Design Editor **JAMES R. DOWNING**

Senior Editor/Features **PETER J. STEPHANO**

Senior Editor/How-To **MARLEN KEMMET**

Assistant Managing Editor/Products **BILL KRIER**

Special-Interest Editor **LARRY JOHNSTON**

General-Interest Editor **TOM JACKSON**

Associate Art Director **PERRY A. McFARLIN**

Project Builder/Assistant Design Editor **JAN HALE SVEC**

Project Builder **CHARLES I. HEDLUND**

Graphic Designer **CHERYL A. CIBULA**

Production/Office Manager **DARLENE REYNOLDS**

Administrative Assistant **MARGARET CLOSNER**

Art Business Office Secretary **NATALIE COOLEY**

Correspondence Writer **DON MOSTROM**

Contributing Editors **KIM DOWNING, DAVE HENDERSON**

ROXANNE LeMOINE, BOB McFARLIN

Publisher **WILLIAM R. REED**

Director, Marketing/Advertising **CHRISTOPHER W. SCHRATT**

Sales/Marketing Representatives **JON BOOK, JAMES N. FORD**

Direct Response Marketing **JANA WEDDELL, LISA WIEMKEN**

Marketing/Advertising Services Manager **SIGRID ANDERSON**

Promotion Supervisor **RICK PALLISTER**

Marketing/Advertising Services Supervisor **PAT HENDERSHOTT**

Administrative Assistants **KATHY GARLAND, SHERYL MUNYON**

ADVERTISING OFFICE: 1912 Grand Avenue, Des Moines, IA

50309-3379. Phone 515/284-2235

Circulation Director **SUSAN SIDLER**

Business Manager **JANET NELSON**

Senior Product Manager **ROBERT BROWN**

Meredith Magazine Group

Magazine Group President **CHRISTOPHER M. LITTLE**

Meredith Custom Marketing **BILL MURPHY**; Magazine Group

Controller **MAX RUNCIMAN**; Circulation **HAL ORINGER**;

Operations **DEAN PIETERS**

Meredith
CORPORATION

Chairman and Chief Executive Officer **JACK D. REHM**

President and Chief Operating Officer **WILLIAM T. KERR**

Chairman of the Executive Committee **E. T. MEREDITH III**

Better Homes and Gardens® WOOD® magazine (ISSN-0743-894X) is published nine times a year in January, February, April, June, August, September, October, November, and December by Meredith Corporation, 1716 Locust St., Des Moines, IA 50309-3023. Second-class postage paid at Des Moines, Iowa, and additional mailing offices. Better Homes and Gardens trademark registered in Canada and Australia. Marca Registrada en México. **ONE-YEAR SUBSCRIPTION PRICES:** U.S. and its possessions \$22; Canada, \$34; other countries, \$43. ©COPYRIGHT MEREDITH CORPORATION 1995. ALL RIGHTS RESERVED. Canadian GST Reg. #R123482887.

CUSTOMER SERVICE INFORMATION: For service on your magazine subscription, including change of address, write to **Better Homes and Gardens WOOD Magazine**, P.O. Box 55050, Boulder, CO 80322-5050. Please enclose your address label from a recent issue. Or, phone toll-free 800/374-9663.

Address letters and questions to **THE EDITOR, WOOD Magazine**, 1912 Grand Avenue, Des Moines, IA 50309-3379.

PRINTED IN U.S.A.

THE EDITOR'S ANGLE

WANNA WIN THIS DOGHOUSE

AND A ONE-YEAR SUPPLY OF DOG FOOD?

People go ga-ga over their pets—on that we can all agree. And they spend bags of money feeding, grooming, and housing them, too. Knowing these things, and assuming that a fair number of **WOOD®** magazine readers own dogs, we decided that it's high time we did our part with a project that matches your affection for Fido.

That's why we are building a doggy domicile that will make your dog the envy of all his/her canine friends. It features insulated wall, ceiling, and floor panels, a removable divider that allows for more air movement during the summer months, and a front porch with a roof overhang for sun protection.

But that's not all. The lift-off roof allows for easy clean-up inside, long-lasting cedar roof shingles protect the structure against the weather, and pressure-treated 2x4 skids make it easy to clean underneath the dwelling. In other words, this doghouse is definitely worth howling about.

Earlier this week I took my dog Brandy out to new-grandpa and part-time **WOOD** magazine project builder Irv Roberts' workshop to check on his progress on the project. (We'll publish plans for it in Issue 80, August 1995.) As you can see in the photo above, Brandy saw plenty to wag her tail about (she didn't even seem to mind that the structure has a ways to go yet before completion.)

While Erv and I were standing there talking about the finer points of canine accommodations, it occurred to me that some dog-doting reader in our audience



Builder Irv Roberts right, Brandy (my dog), and me inspect the doghouse we plan to give away to some lucky **WOOD** magazine reader.

might just love to have the doghouse—and a one-year supply of dog food to go with it. So folks, we're going to have a contest.

Here's how to win

If you're interested in showing off your pooch and possibly winning some great prizes, just send us a photo of you and your dog in a humorous pose. Be as creative as you like. We'll do the judging following the deadline, which is March 1, 1995. And don't worry about the quality of your photo. If you win, we'll send a professional photographer to your house to reshoot it, if necessary. We'll also award a runner-up prize (a handsome **WOOD** magazine shop apron) to five other entrants.

For a rundown of our official contest rules, and the address for sending your photo entry in, see page 17. Watch for a list of the winners in the August 1995 issue.

Good luck to you and your faithful canine companion. May the best dog win. 🐾

Larry Clayton

Print this article

CONTENTS



Page 42

- 29 Birds of a feather**
Meet a Virginian who crafts marshland birds.

- 34 Wet-wheel grinders**
Sharpen tools and blades the safe and easy way.

- 40 Turned knitting needles**
Use our jig and templates to make fancy spindles.

- 42 Shoreline sojourner**
Learn to carve and paint a stylized shorebird.

- 45 Rules to live by**
Follow our five tips for measuring and marking.

- 46 Stellar table and chairs**
Try our full-sized patterns for this furniture set.

- 50 Fanciful furniture**
Add shelves to the table and chairs.

- 52 This finish does it all**
Give your painted projects a body-shop finish.

- 54 Plant stand with panache**
Combine wood and Corian in this lovely design.

- 59 Shoreline silhouette**
Scrollsaw and carve a pleasing pendant.

- 60 Towering timepiece**
Cut out a skyscraper clock in your spare time.

- 62 Mission addition**
Build a prized oak buffet for your dining area.

- 70 For the birds**
Here, find the plans for four types of birdhouses.

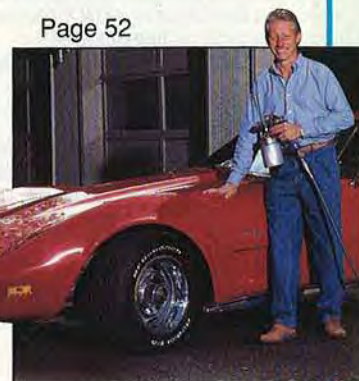
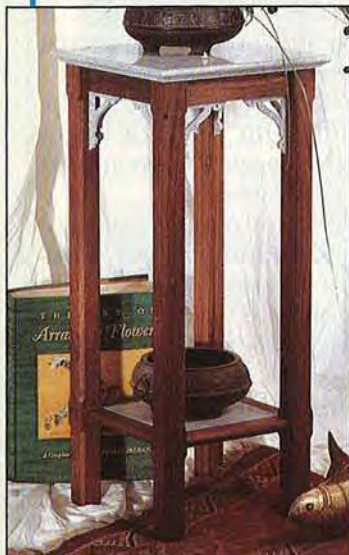


Page 34

Page 40



Page 54



Page 52

Page 60



Page 62



SHORT-SUBJECT FEATURES

- 1** The Editor's Angle

- 4** Ask WOOD

- 10** Talking Back

- 19** Power-Carving Bits

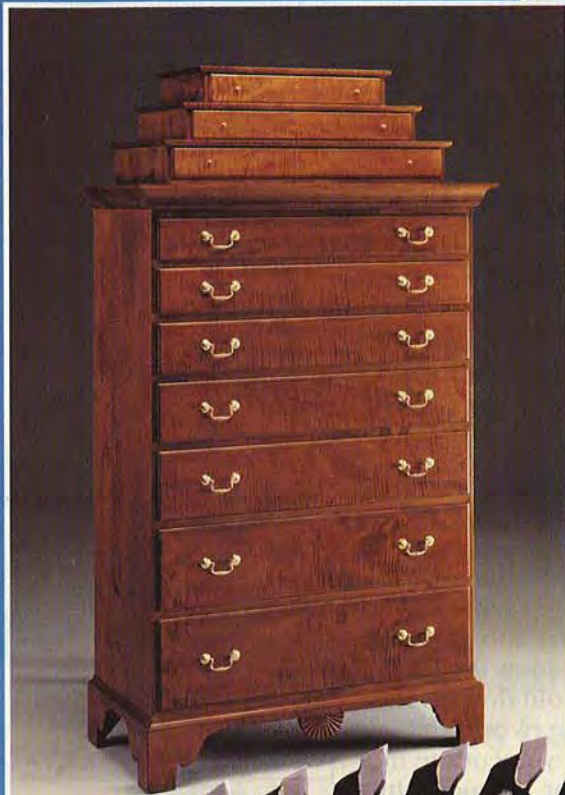
- 22** Tips From Your Shop (And Ours)

- 76** Great Ideas For Your Shop

- 94** Wood Anecdote

- 96** Finishing Touches

Your best projects



Deserve the best cuts

When your work requires absolute precision and quality cuts, there is no substitute for the Freud LU85 -- at any price.

The LU85 produces a flawless cut that requires no sanding. It eliminates chipping and will improve the fit and beauty of your most demanding projects.

Only the award winning LU85 can give you this kind of performance, because no other blade is manufactured with the same care, strict tolerances and fine materials.

The exclusive long-life, titanium-bonded micro-grain carbide tips are ground with special angles, and the laser-cut extra stiff plate is bonded with a thick layer of Teflon® using a special process. This allows the blade to glide through the wood and eliminates pitch build-up.

The LU85 is a precision cut-off saw, ideal for your mitre saw or table saw, for the cutting of natural woods, low pressure laminates and mouldings.

SIZE	TEETH	BORE
8"	64	5/8"
9"	72	5/8"
10"	80	5/8"
12"	96	1"
14"	108	1"
15"	108	1"

freud®

Precisely what you need.

218 Feld Ave. • High Point, NC 27264

ASK WOOD

How to apply water-based finishes evenly and smoothly

I have been delighted with the fast drying time of the water-based polyurethane finish I purchased. However, the finish does not seem to flow as well as the solvent-based polyurethane finish I used in the past. Brush strokes and overlapping marks become a problem, especially when I apply the water-based finish to wide surfaces.

—Jim Davis, Luthersburg, Pa.

Jim, we have had good luck using a short-hair style painting pad to apply water-based finishes to surfaces larger than two square feet. These applicators will apply a smooth, even coat to a 6- to 8"-wide area. Simply apply a stroke of finish, and then apply the next stroke adjacent to it, slightly overlapping the edge of the first stroke.

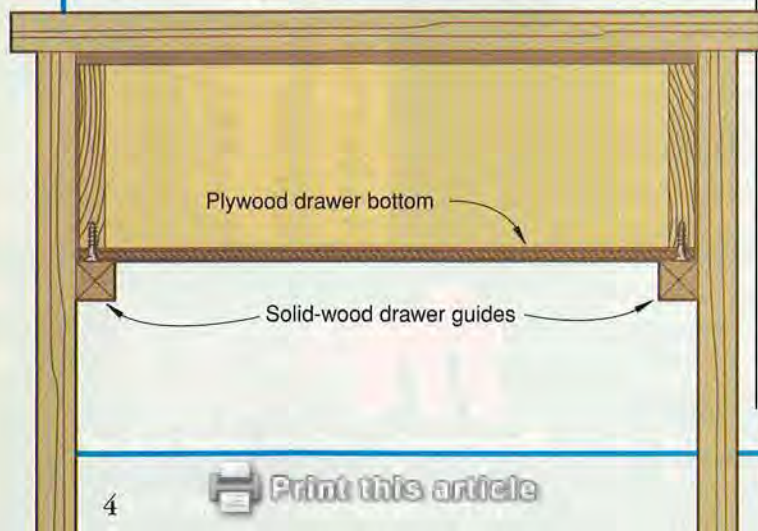
The brand of water-based finishes you use also will affect the smoothness of the finish. We suggest you look at our article "Picking the Perfect Polyurethane" in the October 1994 issue for our comparisons of water-based polyurethane finishes.

Can I glue and screw plywood drawer bottoms in place?

I am making large tool drawers, and I want to use 1/2" plywood for the drawer bottoms. Does the plywood expand and contract enough to cause warping and twisting of the drawers? Can I glue and screw these bottoms in place?

—Daniel T. Dolehide, LaGrange, Ill.

Yes, Dan, you can glue and screw the plywood bottoms to the drawer sides with less chance of warpage or twisting than if you used solid-wood bottoms. We have used plywood drawer bottoms in many of our projects, fitting the plywood into grooves in the drawer sides and fronts. If you plan to fasten the drawer bottom to the bottom edge of the drawer sides, make sure the bottom is supported by the drawer guides (see drawing below).



Whether your woodworker's license reads "Beginner," "Intermediate," or "Advanced," you're bound to have a few questions about your favorite hobby. We can help by consulting our staff and outside experts. Send your questions to Ask WOOD®, *Better Homes and Gardens*® WOOD Magazine, 1912 Grand Ave., Des Moines, IA 50309-3379.

Taming the wandering mortising bit

I use a hollow-chisel mortising bit on my drill press, running at 600 rpm, to cut mortises for tables and chairs. For some reason, the mortises are not clean and good enough to use without squaring up the sides and ends with a chisel. Do you have any suggestions that will help me improve this work?

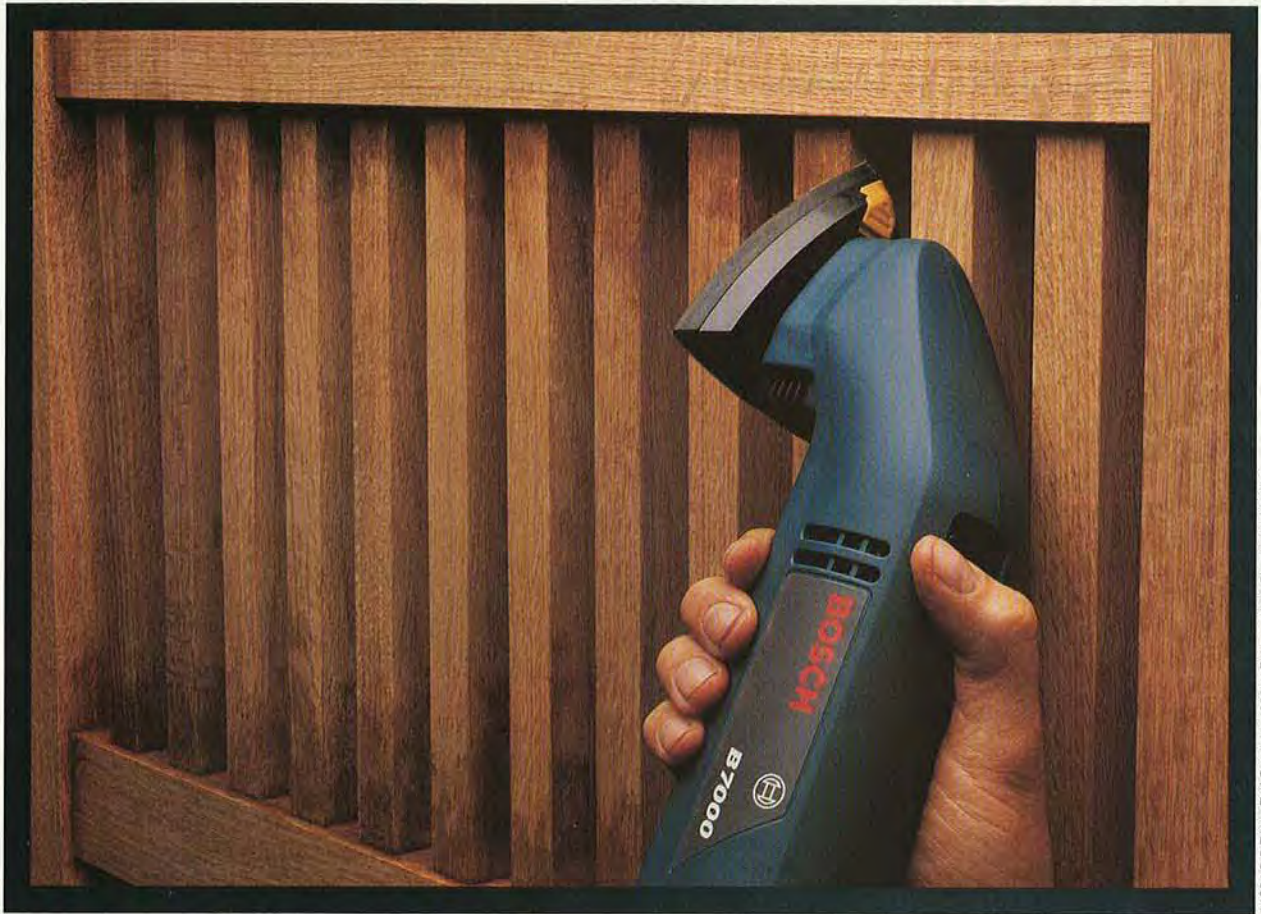
—Norbert J. Fischvogt, Troy, Ohio

From your description, we suspect that either the wood is moving or the hollow chisel is deflecting slightly when you cut the mortise, resulting in the uneven cuts on the sides and ends. Here are some ways to deal with this problem:

- 1 Check the tightness of the work hold-downs, and clear any chips from the base of the hold-down fence.
- 2 Check that all the fittings on your mortising-tool holder are snug, and check for side-play in the drill press quill bearings. Any looseness in these items will result in the chisel starting at a different distance from the fence with each cut.
- 3 To ensure a smoother cut, increase the speed of the drill from 600 to 1200 rpm in hardwoods. When mortising in softwoods, set the drill speed at 2400 rpm for chisels between 1/4 and 3/8", and 1800 rpm for larger chisels.
- 4 Keep your hollow chisel and drill bit sharp. A crisp, sharp edge will allow the drill bit and the chisel to cut much smoother and straighter.
- 5 Don't force the cut. The hollow-ground chisel does require some effort to make a clean cut, but moving too fast can result in deflection of the chisel or workpiece.



Continued on page 6



©1994 S-B Power Tool Company, 4900 W. Peterson Ave., Chicago, IL 60646

Our new sander takes care of details others haven't even thought of.



Most corner sanders just scratch the surface compared to the new Bosch B7000. For example, its motor not only delivers 1.1 amps of true orbital action but also minimizes annoying vibrations.

What's more, to meet the demands of jobs ranging from scraping to polishing there's a wide selection of optional pads. Hook-and-loop backings make them easier to change than messy adhesives. Plus, unlike the competition, pads and head points last longer thanks to the exclusive Clic™ adjustable head.



For added versatility, a pad extender accessory gets the B7000 into places other corner sanders can't touch. And for a cleaner workplace, a dust extraction port is included as standard equipment. Another thing that'll make you breathe easier is its one year warranty, 90 day satisfaction guarantee and one year service protection plan.

Be sure to get the corner sander that's cornered the market on performance, the B7000 from Bosch.



BOSCH
Power Tools

ENGINEERED FOR PERFORMANCE™



ASK WOOD

Continued from page 4

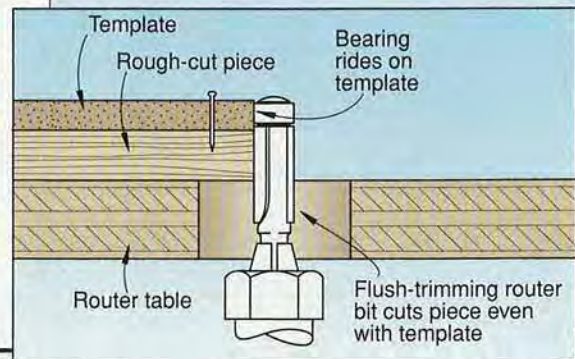
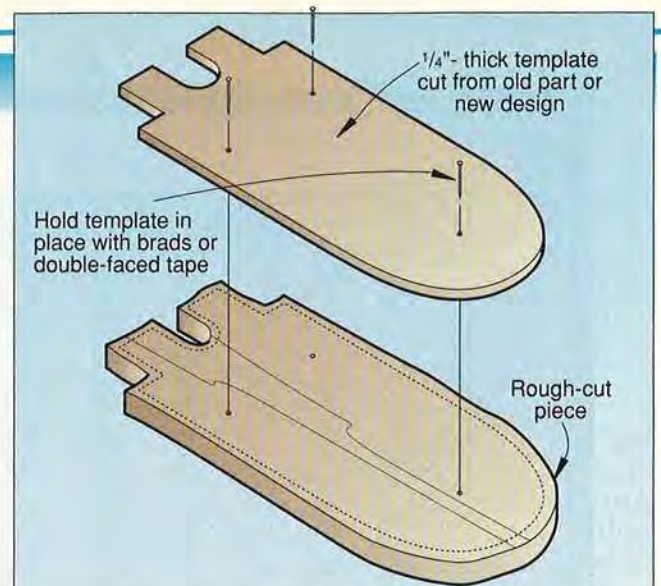
Making a whole bunch of identical parts

I am working with a friend to restore a full-sized antique aircraft with wooden structural parts in the wings. The front part of the wing uses 1/4" plywood cut in a very precise shape. I am trying to find a method to make over forty of these parts, and they must be identical in form. Can you suggest a technique for this?

—Al Banbolzer, Renton, Wash.

Yes, Al, we can. Rough-cut the pieces with a band-saw or scrollsaw, then trim them to size using a router table, a template of the wing part, and a flush-trimming router bit (see drawing right).

Make the template from 1/4" hardboard, acrylic sheet, or Baltic birch plywood, using an intact original piece as the template pattern. Fasten this template to the rough-cut piece with three brads or double-faced tape. Set the flush-trimming bit so that the bearing rides on the template, and the cutter extends just past the top of the workpiece. Then, trim the piece on the router table by feeding the template-workpiece assembly into the rotation of the router bit. Square up any inside corners with a bandsaw or scrollsaw.



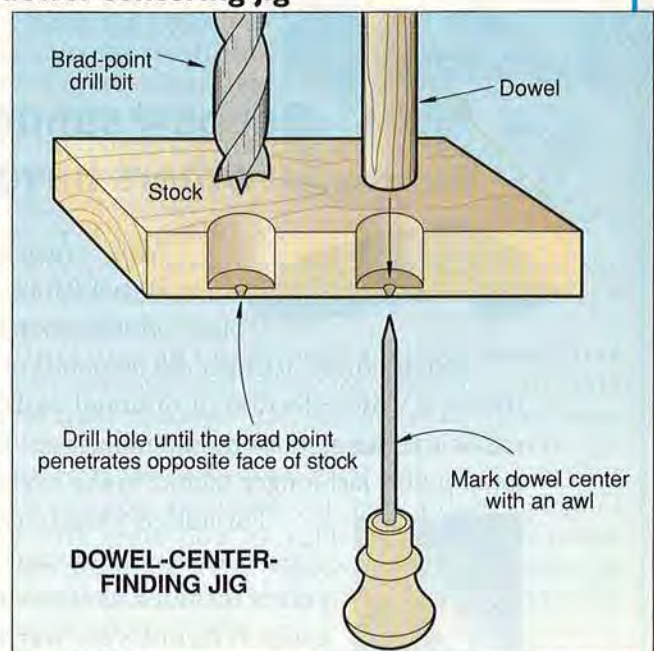
A quick and easy dowel-centering jig

I work with dowels in 1/4" and larger diameters, and am having trouble finding the center of the dowel diameter. Do you know of a tool I can make to find the dowel's center?

—Richard D. Roach,
Johnson City, N.Y.

Yes we do, Richard. You can make the "Collector's Edition Center Finder" as published in our January 1991 issue, or the dowel center-finding jig shown right. To make this jig, drill a hole partially through a piece of scrap-

wood with a brad-point drill bit of the same diameter as your dowel. Drill only far enough to allow the tip of the pilot to penetrate the opposite face of the scrapwood.



Slide the dowel into the hole, and use an awl to mark the center of the dowel through the drill pilot hole. When this pilot hole gets too large or out of round, make a new jig. 🌲

Call now
for your FREE guide:

"How to Work with Corian® in the Home Workshop"

How to
work with
Corian®
In the home workshop

You can see it in the ads on these pages: CORIAN comes to life in the hands of a craftsman. Now get your hands on the information you need to start creating with this remarkably versatile, workable material.

Call toll-free: 1-800-4-CORIAN.

CORIAN®
Created For Life.™




Circle No. 1120



*"Bonsai Tree" of Sierra Evergreen
and Garnet by Stan Graves*

Why trees should not be restricted to the woods.



Pine. Maple. Cherry. Oak. Why should woods like these be the only things you think of when you get the urge to create? Especially when Corian® surfaces would be such a beautiful alternative. You'll have your choice of colors and patterns which, as you know, is something you rarely get from a tree trunk. And Corian® stays uniform, so there are no surprises once you go below the surface. You don't have to worry about staining Corian® because it's nonporous. Or worry about needing new tools since it works perfectly with the ones you already have.

As for scratches, they sand right out. So do nicks, if, for some reason, you actually manage to get one. And when it's time for the big finish, we give you all kinds. Because you can polish Corian® to everything from a subdued matte finish to a jewel-like shine. Now don't get us wrong. We're not saying being in the woods isn't fun. But honestly, who wants to spend every minute there? For more information or to find out where to buy Corian®, call 1-800-4-CORIAN.

Circle No. 1120

CORIAN®
SURFACES
Created For Life.™



Catalogs for Craftsmen

Select the catalogs you want



1 ACCENTS IN PINE—Huge variety of plans & full-size patterns! Illustrated catalog PLUS sample pattern. \$2.00



2 ADAMS WOOD PRODUCTS, INC.—Queen Anne table legs and ready to assemble Queen Anne furniture available for quick shipment. FREE



3 AIRSTREAM DUST HELMETS—Authorized dealer of Racal Dust Helmets. Protects eyes, face and respiratory system. \$1.00.



4 A.M.I.—Advanced Machinery—New 1995 color catalog of HEGNER, ZYLISS & PLANO plus accessories. FREE



5 ARMOR PRODUCTS—Woodworking crafts catalog of plans and hardware for toys, furniture and clock making. \$1.00



6 BEREA—Mechanisms for wooden barrel pens, pencils, rollerballs and fountain pens. \$1.00



13 THE WOODTURNERS CATALOG—New 1995 82 page color catalog of the finest pen/pencil kits, product supplies, lathes and turning accessories. FREE



14 CREATIVECRAFT PLANS—Projects for a long winter. Over 600 full-size plans, patterns, books and tools. Creativecraft plans. \$3.00



15 DELPHI STAINED GLASS—88 page color catalog of tools, glass and accessories plus how-to books and videos. \$5.00



16 DUNHAM HARDWOODS—Specializing in Red Oak and other quality hardwoods. Send for prices and brochure. FREE



17 EAGLE AMERICA—1995 mail order catalog featuring quality American made cutting tools & accessories. \$2.00



18 EBAC LUMBER DRYERS—Variety of sizes from 50 B.F. to over 10,000 B.F. Kiln construction guide included. FREE



25 HTC PRODUCTS—Unique shop accessories to expand your work area & help you work alone. FREE



26 CLAYTON MACHINE—Oscillating spindle sanders & accessories. Wide selection, rugged construction & exceptional quality. Built to last. FREE



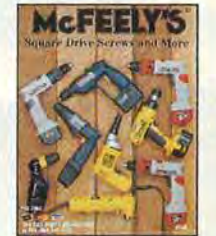
27 GRIZZLY IMPORTS—Woodworking tools catalog with thousands of power tools and accessories. Grizzly supplies solutions. FREE



28 HOME LUMBER CO.—Largest selection of Makita and DeWalt power tools at low prices. Same-day shipping. Free freight. \$1.00



29 KREG TOOL COMPANY—Pocket hole tools and accessories, as well as cabinet and furniture making supplies. 50¢



30 McFEELEY'S—Specializes in square drive screws and other woodworking essentials. Full-color catalog. \$1.00



37 PENN STATE INDUSTRIES—Unique products, projects and kits for the woodworker. Specializing in dust collection equipment and accessories. FREE



38 RB INDUSTRIES—1995 catalog—HAWK Precision ULTRA scroll saws, Universal wood planers, drum sanders, Panelmaster II, router tables, & more. FREE



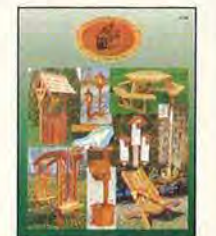
39 RED HILL CORPORATION—Supergrit® Abrasives, industrial quality sandpaper at wholesale prices. 28 page catalog. FREE



40 THE ROUDEBUSH CO.—Buckboard bench kit includes steel springs, metal arms and back rails, hardware and complete instructions. Send for information. 50¢



41 TOOLS ON SALE—Div. Seven Corners Hardware Inc. Complete 450 page catalog or the most popular power tools brands at discounted prices. FREE



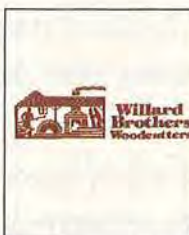
42 SPECIALTY FURNITURE DESIGNS—Our plans offer a wide range of skill level from beginning child handicraft to the advanced adult woodworker. \$3.00



45 STEVE H. WALL LUMBER COMPANY—1995, 20 page catalog of hardwood lumber, plywood and exotics. \$1.00



46 WARREN TOOL GROUP, INC.—6 page full-color catalog features USA-made clamps, vises and accessories for both professionals and hobbyists. \$1.00



47 WILLARD BROTHERS—Hardwoods catalog. Exotic, domestic, free form, turning squares & veneers. FREE



48 THE WINFIELD COLLECTION—Make unique woodcraft projects from our full-size patterns! Over 2,000 designs. \$1.50



49 WOODMASTER TOOLS, INC.—Free facts on Woodmaster 12-in., 18-in. and 25-in. planer/molder/sander/saws. Made in USA. FREE



50 WOOD-MET SERVICES—Catalog-700+ plans to build tools from complete machines and attachments, to hand-tools. For all uses. \$1.00

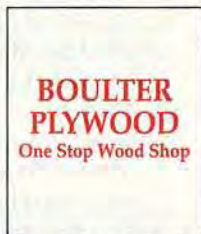
from these 52 listings!



7 THE BERRY BASKET—Beautiful 40 page, 4-color catalog of scrollsaw and bandsaw patterns and accessories. \$1.00



8 BETTER BUILT CORP.—Ripsaw Portable One Man Sawmill. All models under \$2,000. FREE



9 BOULDER PLYWOOD—The finest cabinet makers select and blend lumber, veneer and plywood. 30 species. FREE



10 CMT TOOLS—CMT Tools' new 64-page color catalog is packed with router bits, saw blades, planer & jointer knives & much more! \$2.00



11 CONSTANTINE'S—New 2995, 120 page catalog. Wood, veneers, hardware, tools, plans & more. 2 year subscription \$1.00.



12 COUNTRY ACCENTS—Exciting addition to wood-working projects. Pierced metal panels, 100's of designs, sizes, many finishes. Do-it-yourself, too. \$5.00



19 ECON ABRASIVES—FREE catalog. We make abrasive belts, any size, any grit; plus hundreds of abrasive specialties. FREE



20 FURNITURE DESIGNS, INC.—Since 1968. Full-size plans for making fine furniture. \$3.00



21 FURNITURE MEDIC—If you like working with wood, turn your hobby into profit. FREE



22 GARRETT WADE—Free 208 page 4-color catalog of high quality woodworking tools, machines and accessories. FREE



23 GRAND RIVER WORKSHOP—Heirloom quality furniture kits you assemble and finish yourself. \$1.00



24 HARBOR FREIGHT TOOLS—Has the finest professional Quality Tools and Equipment, at the lowest prices-guaranteed. \$1.00



31 MLCS LTD—Featuring a huge selection of carbide tipped router bits, tools, supplies & unique clamps. Large discounts. FREE



32 MEISEL HARDWARE SPECIALTIES—The #1 plan and hardware source for woodworkers. Over 750 projects. Catalog and sample plan. \$2.00



33 MINUTEMAN—Discover our complete furniture restoration business opportunity. Successful for 28+ years, 3,000+ shops. Low investment; quick cash return. \$2.00



34 NYLE STANDARD DRYERS, INC.—Complete literature includes our all-new booklet "Introduction to Kiln Drying." FREE



35 PACE EDWARDS CO.—Roll-top cover easily rolls out to keep contents secure and dry-rolls in when not required. Great idea! FREE



36 PERFORMAX PRODUCTS, INC.—Brochures on complete line of drum sanders for abrasive planing, thickness dimensioning, and fine finishing sanding. \$1.00



43 CASCADE TOOLS, INC.—Router bit and shaper cutter catalog. We've carved a niche to fit your needs. FREE



44 SMITHY LATHE-MILL-DRILL—60 page catalog features over 500 machine tools and accessories. FREE



51 WOODWORKERS SOURCE—Over 100 woods from around the world. Lumber, veneer and turning blanks. \$1.00



52 CLASSIC PLANS FROM WOOD® MAGAZINE—Listing of over 40 WOOD Plans plus Woodworking Woods in America poster. 50¢

Catalogs for Craftsmen ORDER FORM

Better Homes and Gardens®
WOOD Magazine, February 1995
Dept. FECS95
P.O. Box 7931
Riverton, NJ 08077-7931

TO ENSURE PROMPT HANDLING OF YOUR ORDER FOLLOW THESE INSTRUCTIONS:

- Circle your choice
- Enclose check or money order for cost of booklets plus \$2.00 service charge (no stamps accepted)
- NO FOREIGN ORDERS ACCEPTED
- Send coupon and remittance to address above
- ALLOW 4-6 WEEKS FOR DELIVERY
- Coupon expires March 10, 1996

WOOD SUBSCRIPTION

A 1 year subscription (9 issues) for \$24.97 (U.S. price—a \$19.58 savings off newsstand rate. Allow 6-8 weeks for first issue. Be sure to include payment with total below. NO FOREIGN ORDERS ACCEPTED ON THIS COUPON; please contact Subscription Dept. directly.

Circle numbers below corresponding to items in this issue. Please include \$2.00 for handling charge.

1. \$2.00	7. \$1.00	13. FREE	19. FREE	25. FREE	31. FREE	37. FREE	43. FREE	49. FREE
2. FREE	8. FREE	14. \$3.00	20. \$3.00	26. FREE	32. \$2.00	38. FREE	44. FREE	50. \$1.00
3. \$1.00	9. FREE	15. \$5.00	21. FREE	27. FREE	33. \$2.00	39. FREE	45. \$1.00	51. \$1.00
4. FREE	10. \$2.00	16. FREE	22. FREE	28. \$1.00	34. FREE	40. 50¢	46. \$1.00	52. 50¢
5. \$1.00	11. \$1.00	17. \$2.00	23. \$1.00	29. 50¢	35. FREE	41. FREE	47. FREE	
6. \$1.00	12. \$5.00	18. FREE	24. \$1.00	30. \$1.00	36. \$1.00	42. \$3.00	48. \$1.50	

Name _____ I AM ENCLOSING:
Address _____ \$ _____ for priced items
City _____ State _____ \$ _____ for handling
ZIP _____ Phone _____ \$ _____ total remittance

TALKING BACK

More on hearing protection

Thank you for keeping hearing protection in mind while writing the article "Spotlight on Router Safety" in the August 1994 issue. As an audiologist, I have worked with many people suffering from the damaging effects of excess noise exposure.

I recommend using, at minimum, a hearing-protection device with a Noise Reduction Rating (NRR) of at least 29 when operating a router. However, when you consider using a hearing protection device, also remember that the potential of hearing damage increases with increased time of exposure as well as increased volume. For protection against excess noise exposure when using a router for 2 or more hours, combine an ear plug with an earmuff. This combination should protect you from excess noise for up to 4 hours of continuous router use. I recommend that you direct any questions you have regarding hearing loss to your local audiologist or the American Academy of Audiology at 800/222-2336.

—Sveinar Y. Larsen, St. Cloud, Minn.

Foot switch can save hands

I have an additional safety tip to go along with those presented in "Spotlight on Router Safety" in the August 1994 issue. I use a foot switch to start and stop my table-mounted router. This leaves both of my hands free to control the workpiece, and I don't have to look for the switch to stop the tool. I can keep my attention on (and my hands away from) the fast-moving router bit.

—William C. Collins, Baltimore

For our readers who may be interested in purchasing foot switches that work with routers, we found foot switches offered in these catalogs:

Penn State Industries, 2850 Comly Road, Philadelphia, PA 19154 (call 800/377-7297). Item #FSW, 7-amp. rating, \$20 each; #FS2, 15-amp. rating, \$29 each.

Total Shop, P.O. Box 25429, Greenville, SC 29616 (call 800/845-9356). Item #99412, rated at 15 amps., \$24.95 each.

MLCS Ltd., P.O. Box 4053, Rydal, PA 19046 (call 800/533-9298). Item #9098, 15-amp.-rated foot switch \$29.95 each.

To determine which switch to buy, first check the amperage rating of your router (shown on the specification label on the motor housing), and buy a switch rated for an equal or higher amperage. And remember, when using a foot switch with a router or any other power tool, first unplug the tool before changing blades or adjusting your router. The few seconds involved in unplugging the power cord can prevent a much longer trip to the hospital emergency room.

We welcome comments, criticisms, suggestions, and even compliments. Send your correspondence to: Talking Back, *Better Homes and Gardens*® WOOD® Magazine, 1912 Grand Ave., Des Moines, IA 50309-3379.

Lumber hauling tips from a pro

I have worked in lumber yards for many years, and have seen numerous futile attempts at tying down building materials on light cars and trucks. So, I applaud your efforts to educate your readers on safe lumber-hauling techniques. I have these additional suggestions:

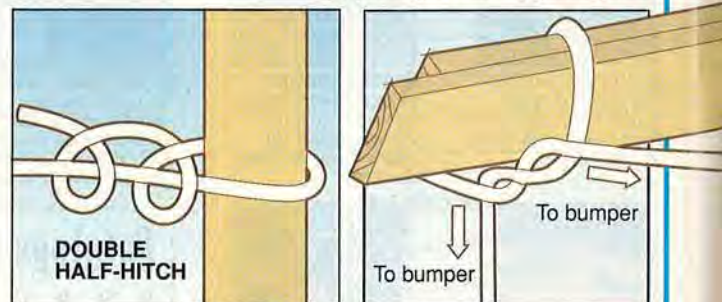
1 We recommend securing both ends of the stock separately rather than using one rope passed over the roof. The rope also should run from one end of the bumper to the stock and down to the other end of the bumper (as shown *below*). This prevents side-to-side shifting of the lumber.

2 Use a double half-hitch to tie the stock to the car (see drawing *below left*). This knot allows a tight loop to be tied around the wood.

3 To avoid damage to the car, we recommend that our customers not fasten more than 100 pounds of lumber on car roof racks. This amounts to about a half-dozen treated 8' long 2 × 4s.

4 If you have a big project or a small car, rent a pickup. In Pennsylvania, you can rent a small truck for around \$50 a day, while the fine for failing to secure a load to a vehicle is \$100.

Jay Keefer, Monongabala, Pa.



Tie ends of lumber to both corners of the bumpers to prevent shifting



Continued on page 12

**IT HAS TWO SPEEDS:
FASTER THAN YOU AND
MUCH FASTER THAN YOU.**

THE NEW DETAIL CARVER BY RYOBI.

© 1994 RYOBI AMERICA CORP.



While the human hand is a powerful tool, carving by hand can be painfully slow. That's why we created our new Detail Carver. It gives you hand-carved results – with power tool speed and ease. And you control all the power. The Detail Carver's ergonomic body, two speeds, and five interchangeable chisels let you quickly rough in and precisely finish off every carving project. Relief carving. Incised carving. Sculpting.



Antique restoration. In every stock from apple to zebrawood. All with pinpoint finesse, in a fraction of the time hand carving takes. Yet the Detail Carver costs no more than the hand carving sets it'll leave in the dust. Ryobi carves out another advance in power tool design. We've brought the fine art of hand carving up to speed.

MADE IN USA
RYOBI

Making Innovative Concepts A Reality™

ALL RYOBI PRODUCTS ARE WARRANTED FOR 2 YEARS • FOR INFORMATION, CALL 1-800-525-2579 • 5201 PEARMAN DAIRY RD., SUITE 1, ANDERSON, SC 29625-8950
Circle No. 86, 925

TALKING BACK

Continued from page 10

An update to our report on detail sanders

In the November 1994 issue we reviewed five detail sanders including the Bosch B7000 (price about \$75). As reported in the article, the B7000 that we tested performed well except for its tendency to stall under heavy pressure or when the edges of the pad made firm contact with perpendicular surfaces.

Shortly after the publication of this article, Chris Carlson of Skil-Bosch Power Tool Company called to let us know that we must have received an early production model, as current models have ample power under all circumstances. Apparently, a small number of the first units made have motor housings that could allow for a slight shift or misalignment of internal components. This could, in turn, cause a slow-down of the drive mechanism under load. Carlson assured us that the housing has been modified to eliminate this problem.

To verify his claim, we tested a current B7000 for ourselves and we are pleased to report that it did not stall at all in our tryout. In fact, it showed more



power than the comparably priced Ryobi DS2000 and had just slightly less muscle than the top-rated Fein triangle sander (about \$195). In light of this manufacturing correction, we recommend the B7000 (and its variable-speed version, the B7001) to those of you who want to spend less than \$100 on a detail sander. The B7000 features an effective, built-in dust collection system and an easy-to-rotate sanding pad.

—Bill Krier, Assistant Managing Editor
Continued on page 14

Give Yourself Some Breathing Room.



Recent medical studies show that breathing wood dust can be hazardous to your health. The JDS AIR-TECH 2000 will dramatically improve the quality of the air in your workshop.

A powerful 500 CFM motor delivers 350 CFM of filtered air. This will clean the air in a 20 x 20 x 8 foot shop six and a half times per hour.

The JDS AIR-TECH 2000 will remove 99% of dust particles as small as five micron and 80% of the particles as small as one micron.

Our unique design makes both ceiling installation and filter changing quick and easy.

To place an order or for the dealer near you call 1-800-382-2637. And give yourself some breathing room.

JDS AIR-TECH 2000™

\$259.00

Another quality product from **JDS COMPANY**
1-800-382-2637

How I Turned My Hobby Into A Successful Craft Business.

When I first considered starting my own craft business, I knew to produce the type of unique crafts customers would pay top-dollar for, I needed to work with the best materials.



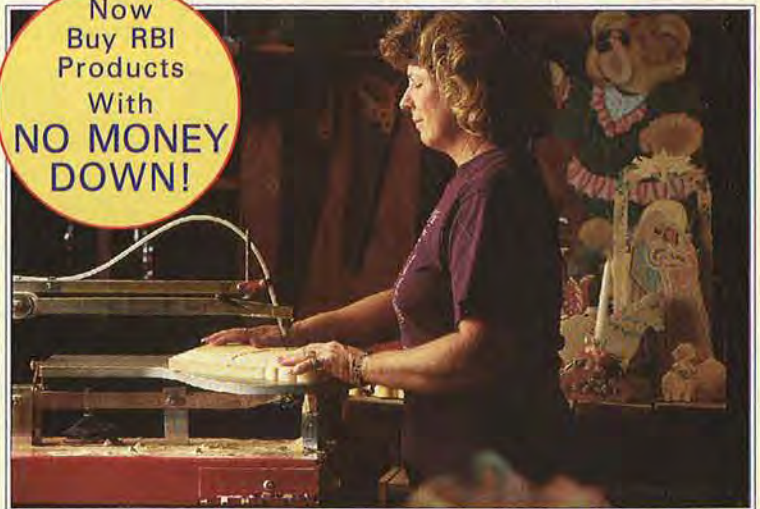
NEW RBI HAWK ULTRA Precision Scroll Saws.

*The Most Advanced
Scroll Saws
Ever Made!*

When it came to purchase a scroll saw, I knew I wanted the best. So I purchased an RBI Hawk Precision Scroll Saw.

With my RBI Hawk Precision Scroll Saw, I now produce the woodworking projects I have always dreamed of creating.

Now Buy RBI Products With **NO MONEY DOWN!**



EDGES CUT SO SMOOTH THEY REQUIRE NO SANDING.

Now, I create beautiful crafts and toys, tote painting cut-outs as well as intricate, detailed fretwork and inlays. I really love the fact that my RBI Hawk Precision Scroll Saw cuts edges so smooth it virtually eliminates the need for sanding. With my RBI Hawk, I create projects that my customers will treasure ... year after year.



Susan applying the final touches to one of her inspired creations.

HOW I INCREASED MY BUSINESS BY DIMENSIONING WOOD MYSELF.

To produce wood to just the right dimension for my patterns, my husband and I decided to buy an RBI 812 "3-in-1" Universal wood-planer system. It prepares wood to just the right thickness. Now, I even sell these pre-cut patterns to area craft stores and my own customer's.



Using her RBI 812 Woodplaner, Susan easily and quickly dimensions her patterns.

RBI has everything I need. They have the very best selection of accessories including blades, work lights, instructional and pattern books, and much more.

Susan

RBI, THE ARTIST'S CHOICE IN SCROLL SAW TECHNOLOGY.

RBI Hawks are designed and made in the USA for the professional shop and demanding hobbyist. With three sizes to choose from, our 16", 26", and our most popular 20" model, we have the saw that's right for you.

After all, like Susan, you're the first one to know that the projects you create are only as good as the tools you use.

RBI HAS EVERYTHING YOU NEED AT YOUR FINGERTIPS.

When it comes to accessories,

A FEW REASONS WHY RBI HAWK ULTRA PRECISION SCROLL SAWS ARE THE BEST YOU CAN BUY.

PATENTED QUICK CHANGE BLADE HOLDER - for the fastest and easiest positioning of saw blades there is.



PATENTED REAR CAM-OVER - quick and easy tension setting. Another RBI exclusive feature.



PATENTED CAM-OVER TENSION AND UPPER BLADE HOLDER - allows quick blades changes. Also make inside cuts quick and easy.



CALL TODAY TO ORDER FACTORY DIRECT OR FOR YOUR FREE RBI CATALOG.

NEW

**5 - YEAR WARRANTY &
30 - DAY MONEY BACK GUARANTEE**

1-800-487-2623

rbi industries
The American Tool Manufacturer

FREE Brochure! Call 1-800-487-2623

rbi industries, 1801 Vine St., PO Box 369, Harrisonville, MO 64701
Name _____
Street _____
City _____ ST _____ ZIP _____
Phone (____) _____

TALKING BACK

Continued from page 12

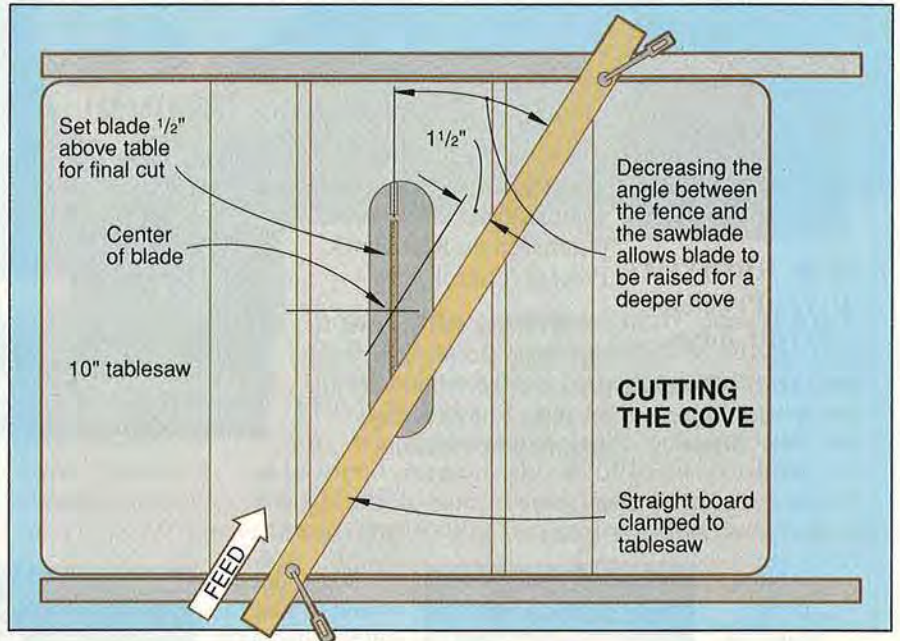
He wants to cut a deeper cove

I am in the process of constructing a built-in bookcase, adapted from the "Shelving Showcase" design presented in the February 1992 issue. I increased the width of the cove molding to maintain its proportion in relation to the increased size of my bookcase. However, I am having trouble in increasing the depth of the cove at the same time. What do I need to do to achieve this?

—Lawrence Petersen, Middletown, Md.

There are two primary adjustments for cutting coves on the tablesaw. First, the height of the sawblade controls the depth and width of the cove. And second, the angle at which the wood approaches the sawblade also affects the width of the cove. To increase the depth of a cove within a given width, you will need to

decrease the angle at which the wood approaches the sawblade, as shown below, and increase the height of the blade.



Here's the one thing Belgians don't waffle on.



90 Minute
Demo Video
Available

The Robland X31 is as welcomed in European workshops as a home run in the World Series. We put together a 12" jointer, 12" planer, 10" table saw, 50" sliding table, and a shaper with a mortiser. No cheating. No compromises. Some 1100 lbs. of cast iron stability, with three separate 3HP motors. It stays put. It stays true. and it stays neatly in a little corner of your shop. That's why Belgians call the Robland X31 The Intelligent One Man Shop. About the only thing you can't make on it is breakfast.

LAGUNA TOOLS

(800) 234-1976 • (714) 494-7006 • FAX (714) 497-1346 • 2265 Laguna Canyon Road, Laguna Beach, CA 92651

The benefits of a brittle bond

I have used cyanoacrylate adhesives (CA) for a couple of years, and can testify that what you said in "What woodworkers need to know about cyanoacrylate adhesives" in the January 1994 issue is true. However, you left out an important property of these glues: the brittleness of the joint.

I frequently use a few drops of CA to firmly bond parts I will separate later. The bond is very strong, so the parts don't shift. However, by tapping the workpieces with a hammer, or dropping the pieces on a piece of plywood on the floor, the parts come apart quickly. I then sand off the glue residue.

—Jose A. Mari Mutt, Mayaguez, P.R.



NEW LOCATION:
SHOWROOM/MAIN OFFICE:
 17709 E. Valley Blvd.
 City of Industry, CA 91744
CUSTOMER SERVICE:
 TEL: (818)935-8888
 FAX: (818)935-8889
 HOURS:
 MON-FRI 8:00AM-5:00PM,
 SAT 9:00AM-1:00PM (P.T.)

ENLON™

IMPORT CORPORATION

The Power You Can Trust
 ORDERS

1-800-888-9697

Mon.-Fri. 7:00am-5:00pm (Pacific Time)
 Sat. 9:00am-1:00pm (Pacific Time)



SHOWROOM DISTRIBUTION CENTER
 12 Armory Rd.
 Clarksburg, WV 26301
 HOURS:
 MON-FRI
 8:00AM-5:00PM
 SAT 9:00AM-1:00PM
 (E.S.T.)
 Prices & Specifications are subject to change without notice, F.O.B. City of Industry, CA & Clarksburg, WV

BUILT-IN DUST COLLECTOR CHUTE



NEW
 HEAVY-DUTY ONE PIECE STAND

#EN3101
 1 H.P.,
 110/220V MOTOR
 SALE: \$350.00
 FREE EXTRA SET OF BLADES
 A \$22.00 VALUE

6" x 47" HEAVY-DUTY JOINTER

BUILT-IN DUST COLLECTOR CHUTE



#EN3102
 1-1/2 H.P., 220V MOTOR
 SALE: \$615.00
 #EN3106 (2 H.P.)
 SALE: \$650.00
 FREE EXTRA SET OF BLADES
 A \$25.00 VALUE

8" X 65" SUPER HEAVY-DUTY JOINTER



#EN-DC20
 220V MOTOR
 SALE: \$255.
 FREE 4" X 10"
 HOSE A \$14.50
 VALUE

2 H.P. DUST COLLECTOR

BUILT-IN DUST COLLECTOR CHUTE



NEW
 HEAVY-DUTY ONE PIECE STAND

#EN3104
 1 H.P.,
 110/220V MOTOR
 LOW PRICE: \$380.00
 FREE EXTRA SET OF
 BLADES A \$22.00 VALUE

6" x 47" HEAVY-DUTY JOINTER

BUILT-IN DUST COLLECTOR CHUTE



#EN3105
 1-1/2 H.P., 220V MOTOR
 LOW PRICE: \$660.00
 #EN3107 (2 H.P.)
 LOW PRICE: \$690.00
 FREE EXTRA SET OF BLADES
 A \$25.00 VALUE

8" X 65" SUPER HEAVY-DUTY JOINTER



#EN3302
 110/220V MOTOR
 SALE: \$395.00
 FREE DUST EXHAUST
 HOOD/ENLON
 EXCLUSIVE A \$28.50
 VALUE

1 1/2 H.P. SHAPER

BUILT-IN DUST COLLECTOR CHUTE



(#EN3201 SHOWN)

NEW
 IMPROVED

#EN3201
 1-1/2 H.P.,
 110/220V MOTOR
 SALE: \$335.00
 #EN3205 (2 H.P.)
 COMES WITH EN3202'S
 FENCE SYSTEM
 LOW PRICE: \$545.00
 FREE FEATHERBOARD A \$9.75 VALUE

10" H.D. TABLE SAW



#EN3202
 3 H.P., 220V MOTOR
 SALE: \$750.00
 FREE MOTOR COVER/ENLON
 EXCLUSIVE A \$50.00 VALUE

10" TILTING ARBOR SUPER H.D. TABLE SAW



#EN3303
 220V MOTOR
 SALE: \$715.00
 FREE DUST EXHAUST HOOD/ENLON EXCLUSIVE A \$29.75 VALUE

3 H.P. SHAPER

OTHER STAPLER/ NAILER KITS,
 EXTRA NAILS & STAPLES ARE
 ALSO AVAILABLE



#EN3601
 18 GAUGE WITH 1/4"
 CROW, 1/2" TO 1"
 LOW PRICE: \$119.95

STAPLER



#EN3405
 1-1/2 H.P.,
 110/220V MOTOR
 MAGNETIC SWITCH
 IS OPTIONAL
 SALE: \$375.00
 FREE EXTRA SANDING BELT A \$7.50 VALUE

6" X 30" EDGE SANDER



#EN3407
 1 H.P.,
 110/220V
 MOTOR
 LOW PRICE: \$595.00

OSCILLATING VERTICAL SPINDLE SANDER

FREE SHIPPING IN CONTINENTAL U.S.



#EN-PN12
 2 H.P., 110V MOTOR
 SALE: \$365.00
 FREE EXTRA SET
 OF BLADES
 A \$28.00 VALUE

12" PLANER



#EN-PN20
 3 H.P., 220V MOTOR
 LOW PRICE: \$1295.00
 #EN-PN25 (5 H.P.)
 LOW PRICE: \$1395.00
 FREE EXTRA SET OF
 BLADES A \$83.95
 VALUE

20" PLANER



#EN-BS14M
 3/4 H.P.,
 110V MOTOR
 SALE: \$275.00
 FREE EXTRA
 BLADE
 A \$7.50 VALUE

14" BAND SAW

We've been computer bit

The chart below contains highlighted corrections for the Bill of Materials in the "Dresser-Top Delight" jewelry-box article in the December 1994 issue. Somewhere between the last proof and the magazine coming off the printing press, every measurement that contained a 1/2" dimension was changed by our computer system. We apologize for any inconvenience this may have caused, and we are intensifying our efforts to prevent similar problems in the future.

Bill of Materials

Part	Finished Size			Matl.	Qty.
	T	W	L		
DRAWERS					
L backs	3/8"	1 1/32"	3 5/8"	C	6
M backs	3/8"	1 1/32"	5 5/8"	C	4
N backs	3/8"	1 1/32"	11 5/8"	C	2
DRAWER GUIDES					
R top	1/4"	3 7/32"	7"	H	6
S middle	1/4"	5 7/32"	7"	H	4
T bottom	1/4"	11 7/32"	7"	H	2



SAFETY. PRODUCTIVITY. UNTIL NOW, THEY WERE MUTUALLY EXCLUSIVE.



The Anti-Kickback Snap-In Spreader can be installed or removed in seconds and can hang conveniently on your BladeGuard arm when using jigs or sliding tables.

An available dual-height setting adjusts for thicker materials the same way the Spreader snaps into place: by this simple pull knob.

Since the base receptacle never moves, the Spreader will always be in perfect alignment with your sawblade.



All too often, safety is compromised for the sake of production. That understood, it's no wonder Biesemeyer specializes in developing precision products that make your shop safer without sacrificing your productivity. Products like our T-Square® BladeGuard system that's becoming a standard in shops everywhere.

INTRODUCING THE WORLD'S FIRST ANTI-KICKBACK SNAP-IN SPREADER.

It can be snapped into place or removed in seconds. No more bolts, nuts, screws, wrenches and wasted time.

The Biesemeyer Anti-Kickback

Snap-In Spreader is available for an ever-expanding list of today's most popular saws. And it's the perfect companion to our BladeGuard system.

We're so sure you'll appreciate the added safety and convenience of our new Anti-Kickback Snap-In Spreader, we invite you to try it for a full two weeks. If you're not completely satisfied, your purchase price and shipping costs will be totally refunded. So visit your Biesemeyer dealer today. For the location nearest you, call 1-800-782-1831.

BIESEMEYER®

The T-Square Saw Fence People.

PAMPERED-POOCH CONTEST



...Official Rules

Send the photo with your name, address, and phone number printed clearly on the back to the address below. Entries must be received by March 1, 1995. We assume no responsibility for late, lost, or misdirected entries.

No photos will be returned. The editors will judge your photo no later than March 31, 1995. Photos will be judged based on humor and creativity. Judges' decisions are final. The grand prize is valued at \$1,200 for the doghouse and \$200 for the dog food. The five runner-up prizes are valued at \$19.95 each. Winners will be notified by mail.

The doghouse will be shipped by ground freight. Contest is subject to federal, state, and local laws. Void where prohibited. Applicable taxes are winner's responsibility. For a list of prize winners, send a self-addressed stamped envelope to the address below. Entry constitutes permission to use winner's name, hometown, and photograph for promotional and editorial purposes.

Winner will be required to sign an Affidavit of Eligibility and Release. Employees of and the family members of the Meredith Corporation, its agents, affiliates, and subsidiaries are ineligible. Void in Quebec. Entrants must be 18 years of age or older. (For more information about this contest, see page 1.)

Please send your photo to: Pampered-Pooch Contest, WOOD® Magazine, 1912 Grand Avenue, Des Moines, IA 50309-3379.

 Print this article

NEW!

The Craftsman Oscillating Spindle Sander.



It sands curves and patterns so quickly, you'll wonder how you ever lived without it.

Craftsman's New Oscillating Spindle Sander has changed the sanding process forever. The sanding sleeve moves up and down ↑↓ and spins ↻ at the same time to give you a smooth, swirl-free finish in a fraction of the time it would take by hand, with no burn or scoring marks.

The unique cam-activated, direct-drive transmission system (patent pending) is quieter, smoother running and virtually maintenance free.

Two standard and four optional spindle drums are available with a variety of abrasive sleeves. The 20"x20" table helps to support large workpieces and has a built-in sawdust collection port.

Check out the New Oscillating Spindle Sander at your local Sears store. Or use the Sears "Shop At Home" Service, 1-800-377-7414.

CRAFTSMAN®

Only at Sears

NEW!

From Craftsman.

Our BEST bench top saw ever.



You'll be so amazed at the easy set-ups and the big saw power, you won't believe it's a bench top.

Our new 10" table saw has better features than any saw in its class. The 13 amp motor delivers a max 2-1/2 HP for fast cutting through stock 3" thick.

And the new rip fence virtually "glides" across the table. Its quick-release, self-aligning mechanism is superior to any other small saw in this market.

Its other features are also impressive. Convenient built-in storage for fence, miter gauge, blade guard and wrench. Sawdust collection port for hook-up to a wet/dry vac. Thermal overload switch. Optional dado and molding heads.

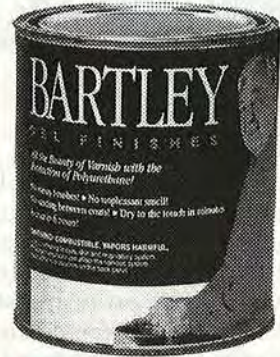
See the Craftsman #22174 - 10" bench top table saw only at Sears. Or dial 1-800-377-7414 for the Sears "Shop At Home" service.

CRAFTSMAN®

Only at Sears

NO SANDING between coats!

Bartley Gel Finishes save you time, while giving you the beautiful, professional results you want! Great color selection too!



The Bartley Collection
LIMITED

For Your Local Dealer
Call 1-800-787-2800

65 Engerman Avenue, Denton, MD 21629

FREE!



The most complete
Woodworking Catalog! Now
featuring over **600 NEW** items,
Anniversary Specials and over
4000 hard-to-find products for your
next woodworking project.

Dept. 43116

Call 1-800-403-9736 Today!

40TH ANNIVERSARY

The Woodworkers'
Store®

Hardware, Wood, Tools & Know How

What woodworkers need to know

POWER-CARVING BITS

Shopping for power-carving bits, you learn one thing quickly: They come in astonishing variety. Your eyes may glaze over as you survey

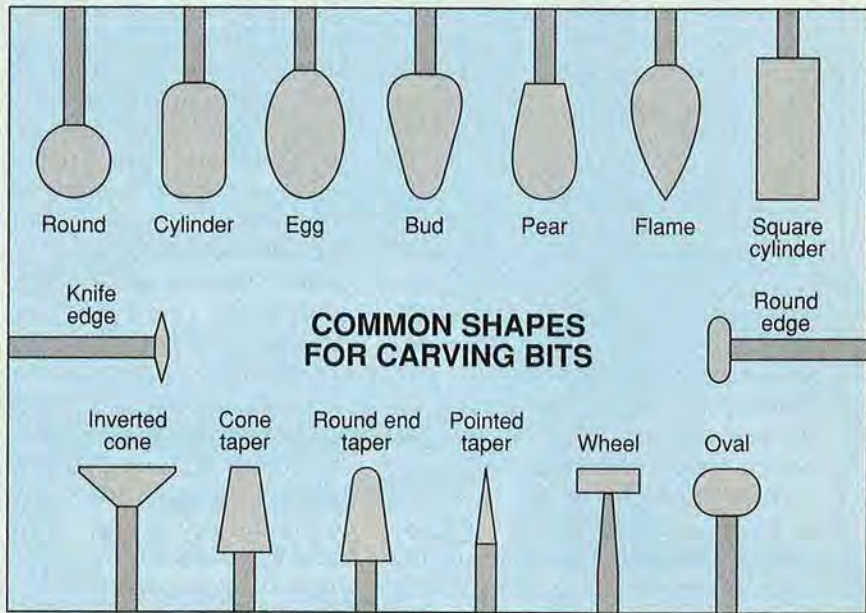
the array of types, shapes, and sizes. Are you facing a fathomless jumble? Not at all—there is order to the world of carving bits.

Let's have a bit of order

A convenient way to classify power-carving cutters and grinders is by use—roughing, carving, and detailing. Roughing out a carving, for instance, calls for quickly grinding away a lot of wood with little regard for surface finish. Forming feathers or other fine details, though, requires a more precise touch.

To select the proper type of bit, consider how much wood you want to remove, how fast you want to take it off, and how smooth you want the surface to be. We look at some of the popular choices in bits *below*.

As to size and shape, just pick the bit that best fits the job at hand. Some of the shapes you'll find are shown *right*.



Roughing and shaping bits

•**Karbide Kutzall.** For many power carvers, this is the first choice for roughing a figure from a solid block or bandsawed blank. Described as a structured-tooth, tungsten-carbide cutting tool, a Kutzall looks a little like a magnet that's been dipped into iron filings, shown *left*, (1).

Kutzalls come in two grades, silver and gold, (2). Both leave a striated surface, but it's more pronounced with the coarser silver one. (Some carvers favor this texture for decoy heads and the like.) For fastest wood removal, go with a big, silver cutter. The Kutzalls generally cost \$10-\$25 each, and last a long, long time.

•**Steel or carbide burrs.** These fluted bits, no. 3 *below*, cut like a file. The single-cut burr's cutting edges wrap in one direction around the body. Flutes on double-cut ones cross at an angle.

Many carvers like extra-coarse, double-cut burrs such as the Pfinst SGX Super-Carbide Cutter (4). These bits pare away wood much faster than other burrs, yet leave a smooth surface. They come in several shapes and sizes.

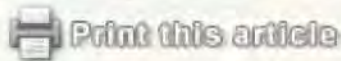
A burr may be solid steel or may have solid carbide head bonded to a steel shaft. Steel burrs often cost \$10 or less apiece; a carbide cutter can cost as much as \$50. Though costly, car-

bide burrs will cut a lot of wood before they dull. Many dealers offer resharpener and reconditioning for carbide cutters.

•**Cross-cut cutters.** Carvers call these bits *stump cutters*. Made of high-speed steel, a stump cutter looks pretty much like a single-cut burr, except the cutting edges have been crosscut to create orderly rows of teeth around the bit's body, as shown *below* (5).

Stump cutters leave a smooth, sometimes slightly ridged surface. They're available in coarse, fine, or extra fine. A coarse one can work an area down quickly. The finer cutters are suited to more precise work. A stump cutter generally costs \$10 or less.

Continued on page 20



What
woodworkers
need to know

POWER-CARVING BITS

Continued from page 19

Carving bits

•**Ruby carvers.** These popular abrasive bits, *below* (6), take their name from the mineral particles bonded to the steel body. Over the years, these bits have practically become the power carver's staple tool for refining forms and establishing features.

Available in two grits and a variety of shapes and sizes, ruby carvers cut at a medium rate and leave a sanded-looking surface. They usually cost \$5-\$10 each.

•**Diamond points.** Here's another chance to carve with precious stones. Many carvers consider diamond points, like the examples shown *below* (7), to be the crown jewels of carving.

Often thought of as finishing tools or detail-carving bits, there's really no reason diamond cutting couldn't be used at almost any carving stage. As long as the diamond chips remain bonded to the base material, a diamond bit should be able to cut wood practically forever.

Compared to ruby carvers, diamond instruments cut faster, last longer, leave a smoother surface, and, as you might expect, cost more. (But not, surprisingly, a lot more in many cases. We found prices ranging from less than \$5 each when purchased in sets to \$30 for a large, single bit.) Diamonds are available in a great array of styles and sizes, too.



Detailing bits

•**Texturing stones.** Whether fish or fowl (or anything else), your work will look more realistic with the correct surface textures. That's where abrasive stones come into play. But determining which ones to use often calls for some experimentation.

Your dealer will have a colorful batch of stones to choose from—pink, green, white, and blue are usual. Each color denotes a different grit and hardness. For the stones shown *above right* (8), white is the finest grit, thus slowest cutting. Where the colors rank in relation to each other seems to vary among manufacturers; ask your dealer for specific advice.

Selecting texturing stones isn't a precise science. Try different combinations of color and shape until you find the ones that give the look you want. Since stones only cost a buck or two each, you can afford to fool around with a lot of them.

Keep your bits clean

When cutting performance declines, don't assume that your bit is worn out. More likely, it's just loaded up with wood fibers and resin. Cleaning will probably revive it.

A brass-bristle brush, about the size of a toothbrush, cleans light buildups from everything except stones. Heavier buildup usually yields to oven cleaner. To quickly clean a clogged Kutzall, blast it for a few seconds with your propane torch, then brush away the burnt wood.

A crepe sanding-belt cleaner works fine on stones. For diamond points, buy an inexpensive dressing stone. For longer bit life, store them with their shanks standing in holes drilled in a block of wood.



Sizing things up

When buying bits from a catalog, you may find the diameter designated by a three-digit ISO number, such as 018 or 070. To convert that number to millimeters, insert a decimal point between the second and third digit. Thus, the 018 bit in the example is 1.8 mm diameter and the 070 is 7.0 mm.

Shanks are $\frac{3}{32}$ " for most bits, $\frac{1}{8}$ " for some. Big carbide bits and Kutzalls have $\frac{1}{4}$ " shanks. Before buying one of these biggies, confirm whether your rotary hand tool or flexible-shaft handpiece will accept a $\frac{1}{4}$ " collet. Most handpieces will, most rotary hand tools won't.

Where to find them

If you can't find the bits you need locally, try these mail-order suppliers. Call or write for a catalog.

Craftwoods

2101 Greenspring Drive
Timonium, MD 21093
800/468-7070

Curt's Waterfowl Corner

P.O. Box 228
Montegut, LA 70377
800/523-8474

Wood Carvers Supply, Inc.

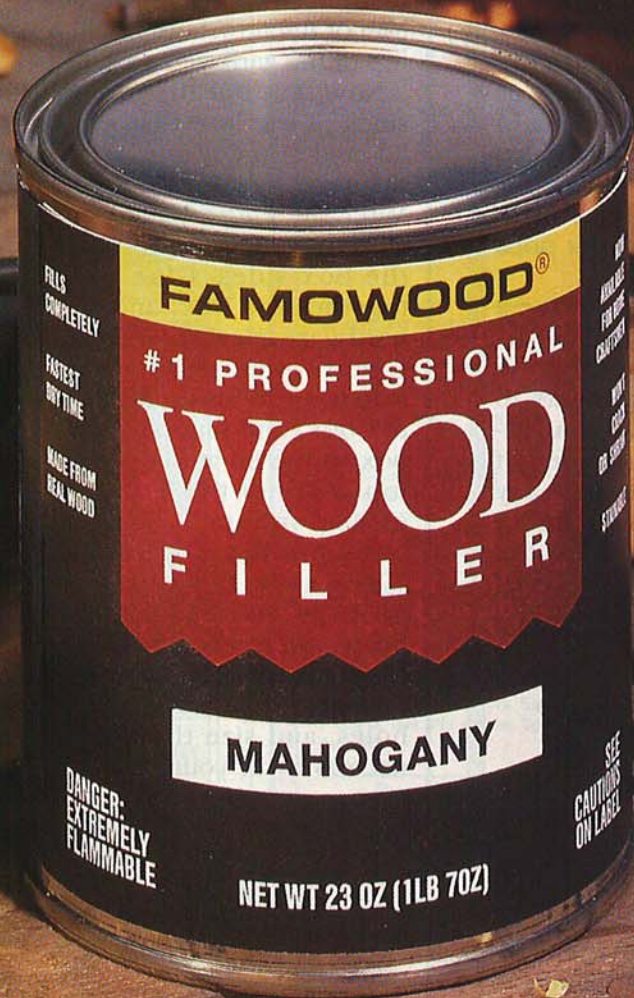
P.O. Box 7500
Englewood, FL 34295-7500
800/284-6229

The Woodcraft Shop

2724 State St.
Bettendorf, IA 52722
800/397-2278

Photographs: John Hetherington Illustrations: Kim Downing Written by Larry Johnston

FAMOWOOD Wood Filler:
Your Woodworking Partner



For more information, call 1-800-767-4667

TIPS FROM YOUR SHOP (AND OURS)



Do you see a chip separator for your dust collector in the photo above? If not, just take a gander at Nolan Thaler's prize-winning shop tip, right, for a clue. Nolan's trash can-turned chip separator serves to remind us how the overlooked items in our shops often contain hidden potential. All we have to do is apply some creative brainstorming, and eureka, out pops another shop tip.

When the inspiration for a new tool accessory, jig, or fixture strikes, I certainly hope you'll take a few moments to let us here at *WOOD*® magazine know about your idea. If we choose your tip, we'll pay you \$40, plus you'll get a shot at winning a new tool for the top tip. Just send a brief description of the idea and a drawing or photo to:

**Tips From Your Shop
(And Ours)**
WOOD Magazine
1912 Grand Ave.
Des Moines, IA 50309-3379

We try to publish original shop tips, so please send your idea to only one magazine. Also note that we cannot return your submissions. Thanks, and keep those shop tips coming.

Tom Jackson
General Interest Editor

Nix the big chips with a homemade separator

Dust collectors keep your shop clean, but big chips fill up the bags rapidly. Cyclone separators divide the fine sawdust from the chips, but they're expensive.

TIP: You can build your own low-cost chip separator from a few pieces of $\frac{3}{4}$ " plywood and materials available at any hardware store. Start by cutting the lid of your separator 4" larger in diameter than the garbage can you plan to use. Attach adhesive-backed, foam-insulation tape to the bottom of the lid where it will rest on top of the garbage can.

Now, cut out the top and four sides of the box that sits on the lid, and also cut four $\frac{3}{4} \times \frac{3}{4}$ " cleats the same length as the box sides. Miter the ends of the cleats, and glue and nail them to the inside of the box sides. Glue and screw together the box, and staple $\frac{1}{4}$ " hardware cloth to the runners. Cut an opening in the lid that matches the inside dimensions of the box, and glue and screw the box to the lid as shown. Line the top edges of the box with foam insulation tape, and attach the box top with a hinge and hasp.

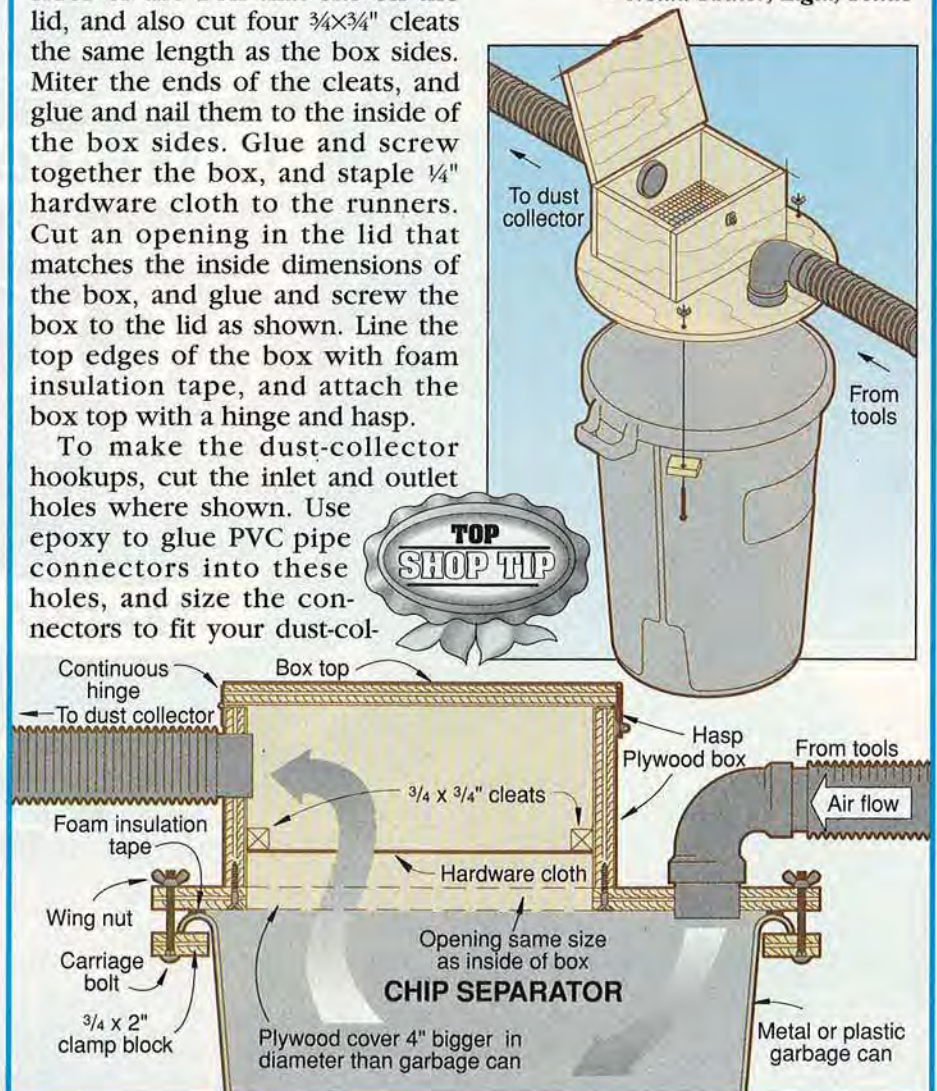
To make the dust-collector hookups, cut the inlet and outlet holes where shown. Use epoxy to glue PVC pipe connectors into these holes, and size the connectors to fit your dust-col-



For submitting the top shop tip, Nolan will receive a Porter-Cable model 447 Framers Saw.

lection system. Attach the lid to the garbage can with the clamping blocks, and hook up your dust collector. When you start sucking up dust, the heavier material will fall to the bottom of the can, and the fine dust will be drawn into your dust collector.

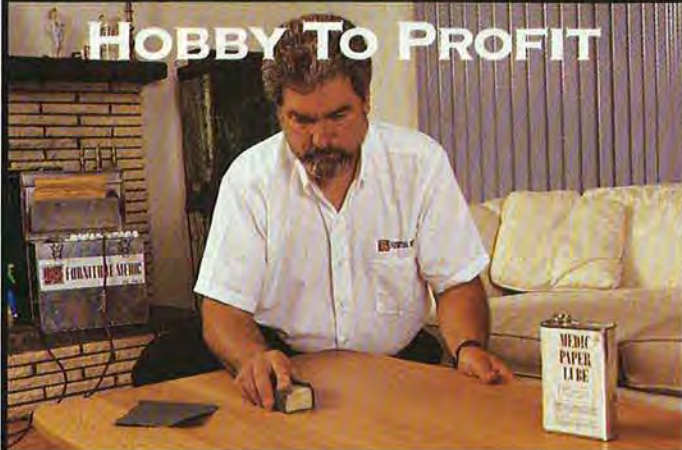
—Nolan Thaler, Elgin, Texas



Continued on page 24

\$12,900 • PATENT PENDING • PROVEN CONCEPT

HOBBY TO PROFIT



"The ability to turn a hobby into an income producing venture while building net worth has greatly contributed to my motivation to succeed."
 -Dave Raybeck, Furniture Medic® Franchisee

Exclusive patent pending environmentally conscious restoration techniques allow Furniture Medic® to restore wood and furniture damage/defects *on site* for a fraction of replacement costs.

We provide equipment, specialized training, kick-off marketing campaign, national advertising/accounts and continuous support.

Turn Your Hobby Skills Into Business. 800-877-9933

Call today for a free video. (800) 877-9933 or (404) 361-9933

Master and Unit Licenses Available Worldwide.



FURNITURE MEDIC®
 "the prescription for damaged furniture!"

For Nationwide
 On-Site Service Call
 1-800-408-SERV

* See prospectus for details.

RBI Woodplaners Make You Money!

Just imagine turning \$5 worth of lumber into molding worth \$100... in just minutes!

The very first day it arrives an RBI woodplaner starts paying for itself. With lumber prices increasing, you'll convert low-cost rough lumber into high-value finished stock.

RBI Woodplaners Make You Money! Just Imagine turning

\$5 worth of lumber into molding worth \$100...in just minutes! In just one pass you'll turn out quarter round, door and window stops, casings, tongue and groove, picture frames - hundreds of popular patterns or we'll grind custom knives for you.

With this low-cost, high performance woodplaner, you're set up to supply cabinet shops, carpenters, remodelers, contractors, lumberyards, and hobbyists with their millwork needs. Plus, you can supply picture frame molding to art stores and frame shops.

Change from Planer, to Molder, to Sander, to Saw in just minutes! Quick change over from one function to the next. Each head comes with its own bearing assembly giving you longer life and durability.



**Buy RBI Tools
 With No Money Down!
 Call us to find out how.**

All RBI Equipment Comes With Our
**5-YEAR WARRANTY AND 30-DAY
 MONEY BACK GUARANTEE**

CALL 1-800-487-2623
 FOR INFO OR TO ORDER!

FREE BROCHURE! CALL 800-487-2623

rbindustries
 The American Tool Manufacturer
 1801 Vine St., Harrisonville, MO 64701

Name _____
 Street _____
 City _____ ST _____ ZIP _____
 Phone (____) _____

Circle No. 84

CASCADE TOOLS, INC.

INDUSTRIAL GRADE CARBIDE TOOLING

10 Pc. General Purpose Set

C1638 — 1/4" Shank
 C1639 — 1/2" Shank

\$94.95

Set includes: C1001, C1003, & C1004 Double Fluted Straight, C1044 Rabbeting, C1069 Dovetail, C1080 Flush Trimming, C1129 Chamfer, C1143 Cove, C1154 Roman Ogee & C1179 Roundover



Classical Cutter Set

C1645 — 1/2" Shank

\$89.95

Set includes: C1292 Classical, C1302 Classical, C1424 Roman Ogee / Round Nose & C1655 Classical Plunging



5 Pc. Straight Bit Set

C1700 — 1/4" Shank
 C1701 — 1/2" Shank

\$29.95

Finally our straight bits come in a set. Set includes: 1/4", 3/8", 1/2", 5/8" & 3/4"



3 Pc. Plywood Straight Bit Set

C1702 — 1/4" Shank
 C1703 — 1/2" Shank

\$19.95

Make your dados fit better with these straight bits sized for modern plywood. Set includes: 1/32", 15/32" & 23/32"



5 Pc. Pattern Set

C1675 — 1/4" Shank

\$59.00

Top mounted bearings make pattern routing a breeze. Set includes: C1306 1/2" Straight, C1308 3/4" Straight, C1659 1/2" V-Groove, C1660 1/2" Dovetail, C1661 1/2" Core Box & 1/2" collet adapter



Raised Panel Set

C1642 — 1/2" Shank

\$124.95

Everything needed to make Roman Ogee raised panel cabinet doors. Set includes: 2 Stile & Rail Bits and an Ogee Raised Panel Bit



Roundover Bits

1/4" Shank

C1177 — 1/4" radius **\$11.00**

C1179 — 3/8" radius **\$14.00**

C1180 — 1/2" radius **\$15.00**

1/2" Shank

C1184 — 1/4" radius **\$11.00**

C1186 — 3/8" radius **\$14.00**

C1187 — 1/2" radius **\$15.00**



CALL 24 HOURS A DAY!

REMEMBER! Ask for a **FREE** Catalog!

PHONE: (800) 235-0272

FAX: (800) 392-5077



95C-102

Circle No. 1315

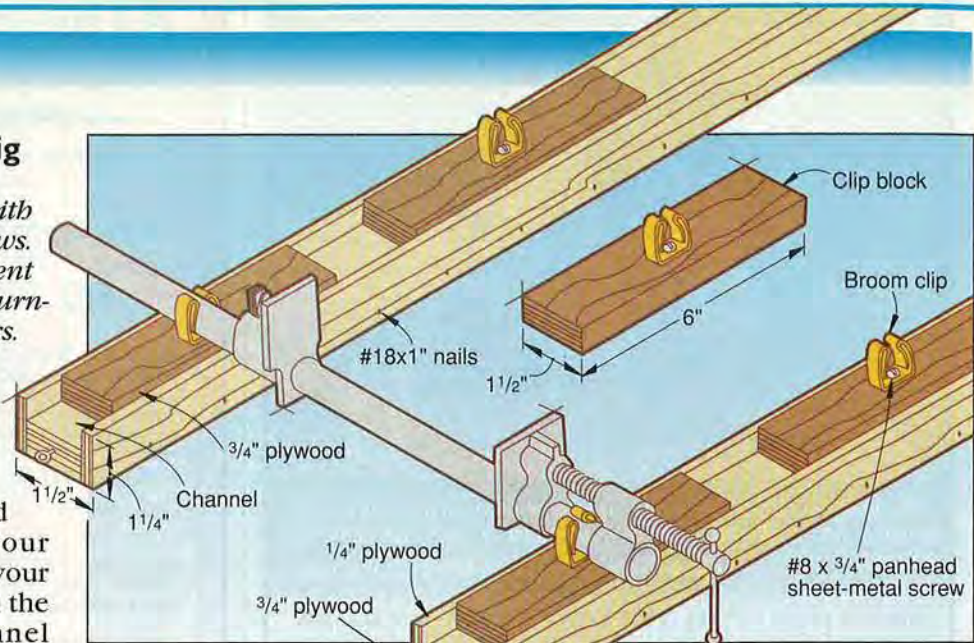
TIPS FROM YOUR SHOP (AND OURS)

Continued from page 22

Pipe-clamp rack keeps big glue-ups under control

Most pipe clamps are made with flats on the bottoms of the jaws. But that doesn't always prevent them from tipping over and turning your glue-ups into disasters.

TIP: Build this pipe-clamp rack from plywood, and your clamps will stay put. For the base of the channels, rip two strips of 3/4" plywood 1 1/2" wide and as long as your bench or glue-up table. Cut your clip blocks about 6" long from the same material as the channel bases, and fasten a broom clip to the center of each, as shown in the illustration right. Glue and nail 1/4" x 1 1/4" plywood sides to the channels, and screw in an eyescrew in one end of each channel. Use the eyescrew to store the racks on a wall.



To use the rack, lay the clip blocks evenly spaced into the channels and secure your pipe clamps in the broom clips. Place your workpiece onto the pipes and tighten the clamps. Then, put clamps on top of the

workpiece alternating them between the bottom clamps. Now, you can lift the entire assembly out of the rack with the clip blocks still attached and set it aside to dry.

—William N. Szucs, Middleburg Heights, Ohio
Continued on page 26



HARBOR FREIGHT TOOLS



● **LOW PRICE GUARANTEE** ●
WE'LL BEAT ANY COMPETITOR'S PRICE ON ANY IDENTICAL ITEM —EVEN IF IT'S AN ADVERTISED SPECIAL

FREE SHIPPING! ★
FOR ALL ITEMS SHOWN BELOW!

CENTRAL MACHINERY

LIMIT 1

10" INDUSTRIAL TABLE SAW

Large 20-1/8" x 27" cast iron table with two 10-1/8" x 27" extensions, a 25" rip capacity, 1-1/2 HP motor, and a self-aligning rack and pinion operated rip fence.

- 2 extensions, blade guard, miter gauge
- Depth of cut: 3-1/8" @ 90°, 2-1/8" @ 45°
- Net wt.: 225 lbs.; ship. wt.: 233 lbs.

ITEM 01462-4KEA **\$339⁹⁹**

CENTRAL PNEUMATIC CONTRACTOR SERIES

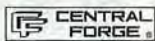
AIR FRAMING NAILER

The angled magazine stays clear of your work surface for maximum visibility and toe nailing. Allows fast loading of up to 3 sticks of nails (75 or 105 nails per stick).

- 70-100 PSI • 7 lbs. net weight
- Accepts .099 TO .131 gauge stick nails, 2" to 3-1/2" long
- 12-3/8"H x 5-7/16"W x 18-3/8"L overall dimensions
- 1/4" NPT air inlet

ITEM 06872-4KEA **\$139⁹⁹**

CONTROLLED PRESSURE NON-MARRING HARDWOOD CLAMPS



JAW LENGTH	OPEN-JAW CAP.	ITEM	PRICE
6"	3"	06986-3KEA	\$2⁹⁹
7"	4-1/2"	06987-7KEA	\$3⁴⁹
8"	4-3/4"	04852-3KEA	\$3⁹⁹
10"	6"	04853-3KEA	\$4⁹⁹
12"	8-1/8"	04854-7KEA	\$5⁹⁹

18 GAUGE AIR BRAD NAILER

This unit has the features you need: safety trigger, adjustable nailing depth, see-through magazine, and easy jam clearance. Slides are high impact plastic. Tool weight: 2 lbs.

- Uses 18 gauge brads 5/8" to 1-9/16"
- Stainless steel driver and cylinder
- 55-95 operating PSI • 1/4" air hose
- 100 brad maximum capacity

RATED "10" BY WOOD MAGAZINE

18 GAUGE BRADS (5000 PACK)

LENGTH	ITEM	PRICE
1"	00359-4KEA	\$3⁹⁹
1-3/16"	00360-4KEA	\$4⁹⁹

ITEM 00973-1KEA **\$69⁹⁹**

★ WITHIN THE 48 STATES

Call To Order or Ask for Free Catalog:

Order 24 Hours a Day/7 Days a Week
Most Phone Orders Shipped in 48 Hours



1-800-423-2567

Or Send Check or Money Order to: Harbor Freight Tools, 3491 Mission Oaks Blvd. Box 6010, Camarillo, CA 93011



CENTRAL MACHINERY

LIMIT 1

10" INDUSTRIAL TABLE SAW

Large 20-1/8" x 27" cast iron table with two 10-1/8" x 27" extensions, a 25" rip capacity, 1-1/2 HP motor, and a self-aligning rack and pinion operated rip fence.

- 2 extensions, blade guard, miter gauge
- Depth of cut: 3-1/8" @ 90°, 2-1/8" @ 45°
- Net wt.: 225 lbs.; ship. wt.: 233 lbs.

ITEM 01462-4KEA **\$339⁹⁹**

CENTRAL PNEUMATIC CONTRACTOR SERIES

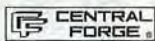
AIR FRAMING NAILER

The angled magazine stays clear of your work surface for maximum visibility and toe nailing. Allows fast loading of up to 3 sticks of nails (75 or 105 nails per stick).

- 70-100 PSI • 7 lbs. net weight
- Accepts .099 TO .131 gauge stick nails, 2" to 3-1/2" long
- 12-3/8"H x 5-7/16"W x 18-3/8"L overall dimensions
- 1/4" NPT air inlet

ITEM 06872-4KEA **\$139⁹⁹**

CONTROLLED PRESSURE NON-MARRING HARDWOOD CLAMPS



JAW LENGTH	OPEN-JAW CAP.	ITEM	PRICE
6"	3"	06986-3KEA	\$2⁹⁹
7"	4-1/2"	06987-7KEA	\$3⁴⁹
8"	4-3/4"	04852-3KEA	\$3⁹⁹
10"	6"	04853-3KEA	\$4⁹⁹
12"	8-1/8"	04854-7KEA	\$5⁹⁹

18 GAUGE AIR BRAD NAILER

This unit has the features you need: safety trigger, adjustable nailing depth, see-through magazine, and easy jam clearance. Slides are high impact plastic. Tool weight: 2 lbs.

- Uses 18 gauge brads 5/8" to 1-9/16"
- Stainless steel driver and cylinder
- 55-95 operating PSI • 1/4" air hose
- 100 brad maximum capacity

RATED "10" BY WOOD MAGAZINE

18 GAUGE BRADS (5000 PACK)

LENGTH	ITEM	PRICE
1"	00359-4KEA	\$3⁹⁹
1-3/16"	00360-4KEA	\$4⁹⁹

ITEM 00973-1KEA **\$69⁹⁹**

★ WITHIN THE 48 STATES

Call To Order or Ask for Free Catalog:

Order 24 Hours a Day/7 Days a Week
Most Phone Orders Shipped in 48 Hours



1-800-423-2567

Or Send Check or Money Order to: Harbor Freight Tools, 3491 Mission Oaks Blvd. Box 6010, Camarillo, CA 93011



CENTRAL MACHINERY

LIMIT 1

10" INDUSTRIAL TABLE SAW

Large 20-1/8" x 27" cast iron table with two 10-1/8" x 27" extensions, a 25" rip capacity, 1-1/2 HP motor, and a self-aligning rack and pinion operated rip fence.

- 2 extensions, blade guard, miter gauge
- Depth of cut: 3-1/8" @ 90°, 2-1/8" @ 45°
- Net wt.: 225 lbs.; ship. wt.: 233 lbs.

ITEM 01462-4KEA **\$339⁹⁹**

CENTRAL PNEUMATIC CONTRACTOR SERIES

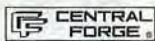
AIR FRAMING NAILER

The angled magazine stays clear of your work surface for maximum visibility and toe nailing. Allows fast loading of up to 3 sticks of nails (75 or 105 nails per stick).

- 70-100 PSI • 7 lbs. net weight
- Accepts .099 TO .131 gauge stick nails, 2" to 3-1/2" long
- 12-3/8"H x 5-7/16"W x 18-3/8"L overall dimensions
- 1/4" NPT air inlet

ITEM 06872-4KEA **\$139⁹⁹**

CONTROLLED PRESSURE NON-MARRING HARDWOOD CLAMPS



JAW LENGTH	OPEN-JAW CAP.	ITEM	PRICE
6"	3"	06986-3KEA	\$2⁹⁹
7"	4-1/2"	06987-7KEA	\$3⁴⁹
8"	4-3/4"	04852-3KEA	\$3⁹⁹
10"	6"	04853-3KEA	\$4⁹⁹
12"	8-1/8"	04854-7KEA	\$5⁹⁹

18 GAUGE AIR BRAD NAILER

This unit has the features you need: safety trigger, adjustable nailing depth, see-through magazine, and easy jam clearance. Slides are high impact plastic. Tool weight: 2 lbs.

- Uses 18 gauge brads 5/8" to 1-9/16"
- Stainless steel driver and cylinder
- 55-95 operating PSI • 1/4" air hose
- 100 brad maximum capacity

RATED "10" BY WOOD MAGAZINE

18 GAUGE BRADS (5000 PACK)

LENGTH	ITEM	PRICE
1"	00359-4KEA	\$3⁹⁹
1-3/16"	00360-4KEA	\$4⁹⁹

ITEM 00973-1KEA **\$69⁹⁹**

★ WITHIN THE 48 STATES

Call To Order or Ask for Free Catalog:

Order 24 Hours a Day/7 Days a Week
Most Phone Orders Shipped in 48 Hours



1-800-423-2567

Or Send Check or Money Order to: Harbor Freight Tools, 3491 Mission Oaks Blvd. Box 6010, Camarillo, CA 93011



CENTRAL MACHINERY

LIMIT 1

10" INDUSTRIAL TABLE SAW

Large 20-1/8" x 27" cast iron table with two 10-1/8" x 27" extensions, a 25" rip capacity, 1-1/2 HP motor, and a self-aligning rack and pinion operated rip fence.

- 2 extensions, blade guard, miter gauge
- Depth of cut: 3-1/8" @ 90°, 2-1/8" @ 45°
- Net wt.: 225 lbs.; ship. wt.: 233 lbs.

ITEM 01462-4KEA **\$339⁹⁹**

CENTRAL PNEUMATIC CONTRACTOR SERIES

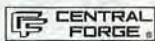
AIR FRAMING NAILER

The angled magazine stays clear of your work surface for maximum visibility and toe nailing. Allows fast loading of up to 3 sticks of nails (75 or 105 nails per stick).

- 70-100 PSI • 7 lbs. net weight
- Accepts .099 TO .131 gauge stick nails, 2" to 3-1/2" long
- 12-3/8"H x 5-7/16"W x 18-3/8"L overall dimensions
- 1/4" NPT air inlet

ITEM 06872-4KEA **\$139⁹⁹**

CONTROLLED PRESSURE NON-MARRING HARDWOOD CLAMPS



JAW LENGTH	OPEN-JAW CAP.	ITEM	PRICE
6"	3"	06986-3KEA	\$2⁹⁹
7"	4-1/2"	06987-7KEA	\$3⁴⁹
8"	4-3/4"	04852-3KEA	\$3⁹⁹
10"	6"	04853-3KEA	\$4⁹⁹
12"	8-1/8"	04854-7KEA	\$5⁹⁹

18 GAUGE AIR BRAD NAILER

This unit has the features you need: safety trigger, adjustable nailing depth, see-through magazine, and easy jam clearance. Slides are high impact plastic. Tool weight: 2 lbs.

- Uses 18 gauge brads 5/8" to 1-9/16"
- Stainless steel driver and cylinder
- 55-95 operating PSI • 1/4" air hose
- 100 brad maximum capacity

RATED "10" BY WOOD MAGAZINE

18 GAUGE BRADS (5000 PACK)

LENGTH	ITEM	PRICE
1"	00359-4KEA	\$3⁹⁹
1-3/16"	00360-4KEA	\$4⁹⁹

ITEM 00973-1KEA **\$69⁹⁹**

★ WITHIN THE 48 STATES

Call To Order or Ask for Free Catalog:

Order 24 Hours a Day/7 Days a Week
Most Phone Orders Shipped in 48 Hours



1-800-423-2567

Or Send Check or Money Order to: Harbor Freight Tools, 3491 Mission Oaks Blvd. Box 6010, Camarillo, CA 93011



CENTRAL MACHINERY

LIMIT 1

10" INDUSTRIAL TABLE SAW

Large 20-1/8" x 27" cast iron table with two 10-1/8" x 27" extensions, a 25" rip capacity, 1-1/2 HP motor, and a self-aligning rack and pinion operated rip fence.

- 2 extensions, blade guard, miter gauge
- Depth of cut: 3-1/8" @ 90°, 2-1/8" @ 45°
- Net wt.: 225 lbs.; ship. wt.: 233 lbs.

ITEM 01462-4KEA **\$339⁹⁹**

CENTRAL PNEUMATIC CONTRACTOR SERIES

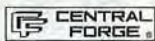
AIR FRAMING NAILER

The angled magazine stays clear of your work surface for maximum visibility and toe nailing. Allows fast loading of up to 3 sticks of nails (75 or 105 nails per stick).

- 70-100 PSI • 7 lbs. net weight
- Accepts .099 TO .131 gauge stick nails, 2" to 3-1/2" long
- 12-3/8"H x 5-7/16"W x 18-3/8"L overall dimensions
- 1/4" NPT air inlet

ITEM 06872-4KEA **\$139⁹⁹**

CONTROLLED PRESSURE NON-MARRING HARDWOOD CLAMPS



JAW LENGTH	OPEN-JAW CAP.	ITEM	PRICE
6"	3"	06986-3KEA	\$2⁹⁹
7"	4-1/2"	06987-7KEA	\$3⁴⁹
8"	4-3/4"	04852-3KEA	\$3⁹⁹
10"	6"	04853-3KEA	\$4⁹⁹
12"	8-1/8"	04854-7KEA	\$5⁹⁹

18 GAUGE AIR BRAD NAILER

This unit has the features you need: safety trigger, adjustable nailing depth, see-through magazine, and easy jam clearance. Slides are high impact plastic. Tool weight: 2 lbs.

- Uses 18 gauge brads 5/8" to 1-9/16"
- Stainless steel driver and cylinder
- 55-95 operating PSI • 1/4" air hose
- 100 brad maximum capacity

RATED "10" BY WOOD MAGAZINE

18 GAUGE BRADS (5000 PACK)

LENGTH	ITEM	PRICE
1"	00359-4KEA	\$3⁹⁹
1-3/16"	00360-4KEA	\$4⁹⁹

ITEM 00973-1KEA **\$69⁹⁹**

★ WITHIN THE 48 STATES

Call To Order or Ask for Free Catalog:

Order 24 Hours a Day/7 Days a Week
Most Phone Orders Shipped in 48 Hours



1-800-423-2567

Or Send Check or Money Order to: Harbor Freight Tools, 3491 Mission Oaks Blvd. Box 6010, Camarillo, CA 93011



CENTRAL MACHINERY

LIMIT 1

10" INDUSTRIAL TABLE SAW

Air Support = Back Pain Relief

- Adjust Firmness to Fit Your Exact Needs.



- Research shows 94% of back pain sufferers say Select Comfort gives them the back support they need to get a better night's sleep.

Revolutionary Air Support System

Select Comfort's unique air support sleep system lets you control the feel and firmness of your bed—simply by pushing a button. Your mattress can be firmer than the firmest metal coil mattress or softer than the softest feather bed...helping you sleep more comfortably, reducing back pain and muscle aches, and providing true support. Change the firmness whenever you like to meet your exact preference.

- Unique air-cushion design contours to your body, providing superior back support and comfort.

Variable Firmness = Great Sleep

You control the firmness of your bed—simply by pushing a button. Change the firmness as often as you like. Make your mattress hard as a board, or soft as a feather bed. The choice is yours.

Try Risk-Free for 90 Nights

Sleep on a Select Comfort for 90 nights. If you are not completely satisfied, return it for a full refund.

Adjust Your Side Separately

Inside the mattress are two air chambers. You can adjust your own side independently. With Select Comfort, you satisfy your own needs without compromise.

Discover why 96% of Select Comfort users recommend it to family and friends

"I am a doctor and often come home exhausted. This mattress is the most comfortable I've tried."

C. Horn, M.D., Clarksville, OH

"The best mattress I've seen in respect to total body and especially spine support."

Dr. W. F. Lenz, Mankato, MN



Select Comfort provides proper back support and contours to your body, distributing weight evenly.



Innerspring mattresses create pressure points and uneven support.



Waterbeds rely on displacement and can cause a "hammock effect," bending your spine unnaturally.

Call now for your **FREE VIDEO**

and **FREE Brochure**

1-800-831-1211

YES! Please rush me a FREE Video & Information Packet.

Name _____

Address _____

City _____ State _____ Zip _____

Phone (____) _____



SELECT COMFORT

6105 Trenton Lane N., Minneapolis, MN 55442

© Select Comfort Corp. 1995

Dept. 3820

EVERYTHING YOU NEED TO BUILD IT YOURSELF

NO EXPERIENCE, NO FANCY WORKSHOP,
NO SPECIAL TOOLS REQUIRED.



Choose from 70 different projects available in our pre-cut, pre-sanded Project Kits. Each piece of this classically designed furniture is skillfully cut, shaped, and sanded ready for you to assemble and finish. Save tedious cutting and eliminate the chance for error with these easy to assemble Project Kits.



FREE CATALOG



Send today for your

FREE Grand River Project

WD4 Kit catalog giving you all the details on how fun and rewarding building your next furniture project can be.

CALL FOR A FREE CATALOG
1-800-373-1101



OR WRITE TO GRAND RIVER WORKSHOP
P.O. BOX AP, DES MOINES, IA 50302

Circle No. 1035

STAINED GLASS

VIDEO & CATALOG



Improve the looks and value of your home with:

- Entry Doors and Sidelights
- Kitchen Cabinet Inserts
- Tiffany Style Lampshades

Save money and make it yourself - our video shows you how!

The perfect way to get started in stained glass. Our 25 minute video covers all the basics. Filled with clear, simple instructions, hints, close-ups, and examples to help you craft your own stained glass windows, lamps, and more. Package includes video, written instructions, plus 88 page full-color catalog. #6149VW...\$10.95 + \$3.00 shipping/hand.

To Order, Call Toll Free 1-800-248-2048



DELPHI
STAINED GLASS
Since 1972



2116 E. Michigan Ave.
Lansing, MI 48912

Circle No. 1920

TIPS FROM YOUR SHOP (AND OURS)

Continued from page 24

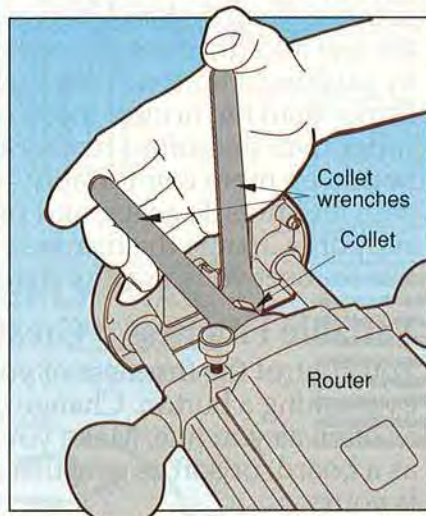
One hand works better when tightening collets

A tight collet prevents your router bit from slipping up or down, and ensures safer routing. But those tight collets don't loosen easily.

TIP: When tightening or loosening router collets, you actually gain more leverage with one hand than if you used two. Here's how.

First, position the two wrenches so they fit within your grip. Now, squeeze the wrench handles together to tighten or loosen the collet. This way you won't bang your knuckles together.

—from the WOOD® magazine shop

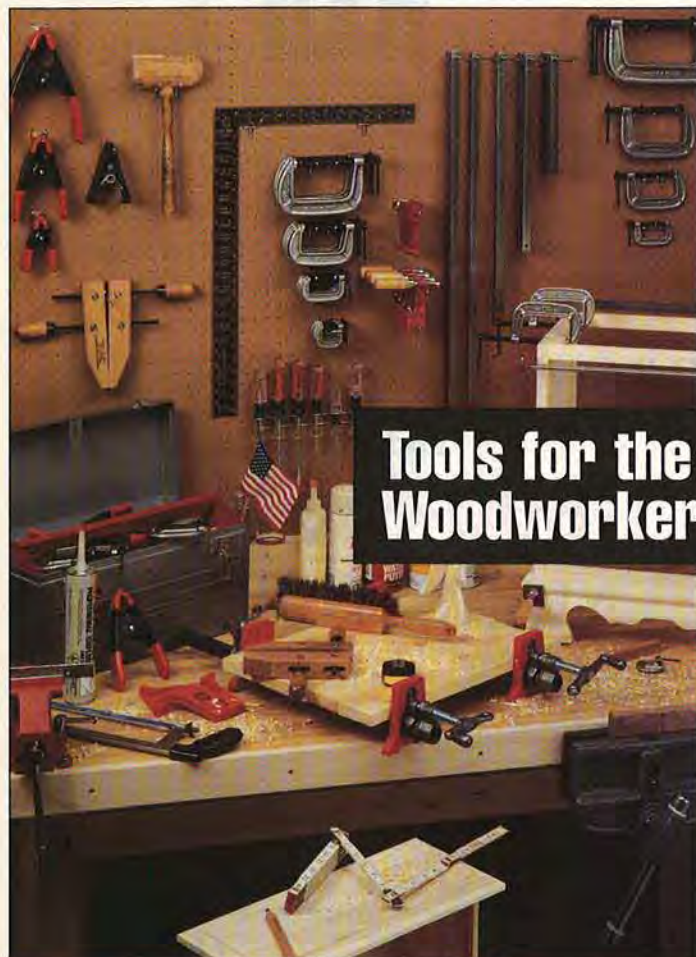


MORE TIPS FROM OUR WOODWORKING PROS

- Even if you're not a power carver, you may own a motorized rotary hand tool. If so, you'll find our guide to rotary bits on *page 19* useful when it comes time to buy cutters.

- Looking for a quick way to mount work between centers on your lathe? Turn to *page 76* and check out our lathe fixture. It's useful for all sorts of spindle turnings.

- You may think anyone can use a tape measure, but there are ways to improve your accuracy. We show you how on *page 45*. ♣



**Clamps,
Vises and
Accessories
for both the
Professional
and the
Hobbyist.**

Tools for the Woodworker's Trade

Made in America, with pride, by American workers. For a catalog, circle the reader service number.



Columbian
Hargrave
Warren
Brink & Cotton

Circle No. 2185

Econ-Abrasives

WE MAKE ABRASIVE BELTS ANY SIZE, ANY GRIT!

Standard Abrasive Sheets

CABINET PAPER

	50/pk	100/pk
60D	\$16.70	\$30.00C
80D	15.60	27.80C
100 thru 150C	14.50	25.60C

FINISHING PAPER

80A	\$ 11.15	\$18.90C
100 thru 280A	10.00	16.70C

NO LOAD PAPER(white)

100 thru 400A	\$12.25	\$21.25C
---------------	---------	----------

"C" = 100 SHEETS

Velcro® Vacuum Discs

8 Hole pattern for Bosch sanders

Dia.	Grit	Price
5"	60	\$.48 ea
5"	80	.46
5"	100 thru 320	.45

* Available in 5 hole pattern *

*Wide Belts*Rolls*Flap Wheels
*Pump Sleeves*PSA Discs
*Router & Wood Bits*Wood Glue

*MasterCard, VISA, C.O.D. or Check
*SATISFACTION GUARANTEED!!!
*CALL FOR FREE CATALOG
- TX & NV add appropriate sales tax
- Continental U. S. shipping add \$5.50

ABRASIVE BELTS

Belts are resin bond cloth with a bi-directional splice, specify grits.

1X30	\$.81 ea	3X24	\$.93 ea
1X42	.81 ea	3X27	.96 ea
1X44	.81 ea	4X21 3/4	1.06 ea
2 1/2X16	.85 ea	4X24	1.10 ea
3X18	.86 ea	4X36	1.35 ea
3X21	.90 ea	6X48	3.50 ea
3X23 3/4	.93 ea	6x89	6.24 ea

OTHER SIZES ON REQUEST

HEAVY DUTY SPRING CLAMPS

Clamps come w/PVC tips and grips.



Size	Price
4"	\$1.75 ea
6"	2.25
8"	3.50

JUMBO ROUTER PAD(24" x 36")

It will not allow small blocks of wood to slip out under router or sanding applications.

ROUTER PAD
ONLY \$8.95ea.

JUMBO BELT CLEANING STICK ONLY \$8.80

Econ-Abrasives

P. O. Box W865021
Plano, TX 75086
(214)377-9779

TOLL-FREE ORDERING LINE (800)367-4101

Circle No. 1229

What's NEW at Penn State Industries?

• Wood Pen Making Products -

- Carba-Tec Micro Lathe Only ..\$239⁰⁰
- Elegant Pen/Pencil Kits and Accessories. Kit prices start at Only\$3⁰⁰

• For the Woodcarver -

- 56,000 RPM "Turbo Carver" \$129⁹⁵
- Reversible Power Carver ... \$139⁹⁵
- 720 CFM Table Top Dust Collection System \$199⁰⁰

• Air Brad Nailers & Staplers -

Many sizes and styles available. Prices start at\$99⁰⁰

• Remote Control to turn on your Dust

Collector - 110V System\$55⁹⁵, 200V System\$65⁹⁵

• Variable Speed Scroll Saw - Only\$169⁹⁵

Plus a full line of Books & Accessories.

• Air Cleaning Products - To clean the air you breath.

The AWARD WINNING #AC460/#AC920\$279⁰⁰/\$399⁰⁰

• Dust Collection Systems - Plus Dust Collection Hose

and Accessories. Prices start at\$199⁰⁰

• Portable Panel Saw System - A dynamite panel

cutting system, reviewed in 10/84 "Wood" Magazine\$89⁰⁰



Call or write for our latest FREE catalog

1-800-377-7297

Penn State Industries, 2850 Comly Road, Phila., PA 19154

Circle No. 75, 76, 77

Like Having A Lumberyard Right In Your Shop!



**FREE
30-DAY
TRIAL!**

Craftsmen everywhere are using the low-cost Woodmaster to bring in welcome extra cash and to save on all their lumber needs. You can, too!

With the big 18-in. Woodmaster or the standard 12-in. model, you can quickly convert low-cost, rough lumber into valuable finished stock. You can turn out perfect picture frame moldings, crown, bed and base moldings, tongue & groove, door and window trim... all popular patterns...any custom design.

You can do custom work for friends, neighbors, lumberyards, picture framers, home remodelers, hobby shops and businesses.

Because it takes just seconds to convert a \$2 rough board into \$10 worth of finished trim, you can see why so many Woodmaster owners enjoy substantial extra incomes!

Variable Speed Makes The Difference!

Just a twist of the dial gives you perfect control for planing, sanding or sawing...from 0 to 1,000 cuts per inch. Creates mirror-smooth molding with no sanding required!

Here's what Woodmaster owner L. C. Griffin of Los Angeles writes: "The shop test article in Wood Magazine that said they loved your Variable Feed Rate is what sold me. They were right."

Call or write today for free facts on how you can try this American-made tool in your own shop for one full month. Easy terms.

CALL TOLL-FREE

1-800-821-6651 Ext. PW76



Woodmaster's Quick-Change Molding Head lets you create custom moldings from any stock. Choose from over 250 standard trim and picture frame patterns...or design your own!



Power-fed sanding speeds production and improves the quality of your work. No more waves or cross-grain scratches. Separate sanding head installs in just minutes.



New rip saw attachment lets you gang-rip with power feed in a fraction of the time it takes for multiple hand-fed passes on an ordinary table saw.

FREE FACTS YES! please rush me your FREE Information Kit plus details on your 30-DAY FREE TRIAL GUARANTEE!
WOODMASTER TOOLS, INC., DEPT. PW76
1431 N. TOPPING KANSAS CITY, MO 64120

Name _____
Address _____
City _____ State _____ Zip _____
Telephone(_____) _____

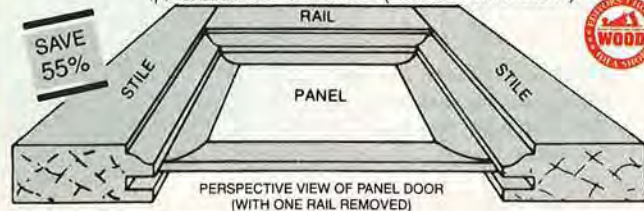
MLCS

MAKE BEAUTIFUL RAISED PANEL DOORS WITH YOUR ... 1/4" or 1/2" ROUTER

Professional production quality bit makes it quick and easy to produce matching rails and stiles — the panel raising bit with ball bearing guide makes the raised panel perfect every time.

SALE PRICE **\$69.95** Regular value over \$150.00!

1/4" SHANK SET - ITEM #1301 (includes both bits shown)

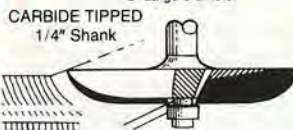


SAVE 55%



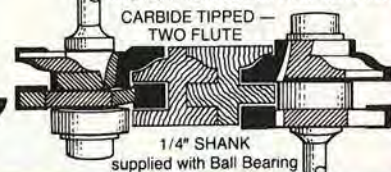
SET ALSO AVAILABLE IN 1/2" SHANK - \$79.95 - ITEM #1302

RAISED PANEL BIT
SUPPLIED WITH BALL BEARING
2" Large Diameter



REVERSIBLE COMBINATION RAIL and STILE BIT

(For making matching rails and stiles in raised panel doors, etc.) Works with stock from 11/16" to 7/8" thick



CARBIDE TIPPED ROUTER BITS • PROFESSIONAL PRODUCTION QUALITY GUARANTEED WHEN ORDERING ANY THREE OR MORE DEDUCT \$1.00 EACH • FREE SHIPPING IN CONTINENTAL U.S.

ITEM NUMBER	DESCRIPTION (ALL 2 FLUTE)	SHANK SIZE	PRICE		ITEM NUMBER	DESCRIPTION (ALL 2 FLUTE)	SHANK SIZE	PRICE
#1306	CLASSICAL - 3/16" Radius — 5/8" Cutting Length	1/4"	\$22.50		#1337	FLUSH TRIM - 3/8" Diameter — 1" Cutting Length	1/4"	\$ 7.50
#1307	CLASSICAL - 1/4" Radius — 3/4" Cutting Length	1/4"	\$25.00		#1338	FLUSH TRIM - 1/2" Diameter — 1" Cutting Length	1/4"	\$ 8.00
#1308	CLASSICAL - 3/16" Radius — 5/8" Cutting Length	1/2"	\$22.50		#1339	FLUSH TRIM - 1/2" Diameter — 1-3/16" Cut.Length	1/2"	\$ 8.00
#1309	45° CHAMFER - 3/8" Cutting Length	1/4"	\$13.00		#1340	PATTERN / FLUSH TRIM - 1/2" Diameter	1/4"	\$15.00
#1310	45° CHAMFER - 5/8" Cutting Length NEW!	1/4"	\$15.00		#1341	PATTERN / FLUSH TRIM - 3/4" Diameter NEW!	1/4"	\$17.00
#1311	45° CHAMFER - 5/8" Cutting Length	1/2"	\$17.00		#1342	PATTERN / FLUSH TRIM - 3/4" Diameter	1/2"	\$19.00
#1312	THUMBNAIL - 1-3/16" Large Diameter	1/4"	\$18.50		#1343	KEYHOLE CUTTER - 3/8" (bit not shown)	1/4"	\$ 8.50
#1313	THUMBNAIL - 2-1/2" Large Diameter	1/2"	\$35.00		#1344	KEYHOLE CUTTER - 1/2" shown	1/4"	\$ 9.00
#1314	ROUND OVER - 1/8" Radius	1/4"	\$11.00		#1345	DOVETAIL (HSS) - 1/4" Diameter — 7-1/2"	1/4"	\$ 6.50
#1315	ROUND OVER - 3/16" Radius	1/4"	\$11.00		#1346	DOVETAIL - 1/2" Diameter — 14° NEW!	1/4"	\$ 6.00
#1316	ROUND OVER - 5/16" Radius	1/4"	\$14.00	#1347	DOVETAIL - 1/2" Diameter — 14°	1/2"	\$ 6.50	
#1317	ROUND OVER - 1/4" Radius NEW!	1/2"	\$12.00	#1348	BEADING - 1/4" Radius	1/4"	\$13.00	
#1318	ROUND OVER - 3/8" Radius	1/2"	\$15.50	#1349	BEADING - 3/8" Radius	1/4"	\$15.50	
#1319	ROUND OVER - 1/2" Radius	1/2"	\$17.00	#1350	BEADING - 1/2" Radius	1/4"	\$17.00	
#1320	ROUND OVER - 3/4" Radius	1/2"	\$21.00	#1351	LOCKMITRE - 7/8" Cutting Length	1/4"	\$32.00	
#1321	MULTIFORM MOULDING - 15/16" Carbide Height	1/4"	\$40.00	#1352	LOCKMITRE - 1-1/8" Cutting Length NEW!	1/2"	\$45.00	
#1322	MULTIFORM MOULDING - 2" Carbide Height	1/2"	\$40.00	#1353	OGEE RAISED PANEL - 2" Large Diameter	1/4"	\$28.00	
#1323	SLOT CUTTER - 3/8" Deep	1/4"	\$14.00	#1354	OGEE RAISED PANEL - 2-3/4" Large Diameter	1/2"	\$32.95	
#1324	RABBETING - 1/4" Deep	1/4"	\$15.00	#1355	EDGE BEADING - 3/16" Diameter of Circle	1/4"	\$15.00	
#1325	RABBETING - 3/8" Deep NEW!	1/4"	\$13.00	#1356	EDGE BEADING - 5/16" Diameter of Circle	1/4"	\$15.50	
#1326	RABBETING - 3/8" Deep	1/2"	\$13.00	#1357	SPIRAL UPCUT - 1/8" Diameter (solid carbide)	1/4"	\$ 9.00	
#1327	CORE BOX - 3/8" Large Diameter	1/4"	\$11.00	#1358	SPIRAL UPCUT - 1/4" Diameter (solid carbide)	1/4"	\$12.00	
#1328	CORE BOX - 1/2" Large Diameter	1/4"	\$13.00	#1359	SPIRAL UPCUT - 1/4" Diameter (solid carbide)	1/2"	\$12.00	
#1329	CORE BOX - 3/4" Large Diameter	1/4"	\$15.00	#1360	SPIRAL UPCUT - 3/8" Diameter (solid carbide)	1/2"	\$24.00	
#1330	BULL NOSE - 1/2" Diameter of Circle	1/4"	\$16.00	#1361	SPIRAL UPCUT - 1/2" Diameter (solid carbide)	1/2"	\$29.00	
#1331	BULL NOSE - 3/4" Diameter of Circle	1/4"	\$21.00	MOULDING PLANES				
#1332	BULL NOSE - 3/4" Diameter of Circle	1/2"	\$21.00	#1362	1" C.L.	1/4"	\$24.95	
#1333	TONGUE & GROOVE - Straight	1/4"	\$29.00	#1363	1-5/8" C.L.	1/2"	\$29.95	
#1334	TONGUE & GROOVE - Straight	1/2"	\$29.00	#1364	1-5/8" C.L.	1/2"	\$31.95	
#1335	TONGUE & GROOVE - Wedge	1/4"	\$29.00	#1365	1" C.L.	1/4"	\$31.95	
#1336	TONGUE & GROOVE - Wedge	1/2"	\$29.00	#1366	1-11/16" C.L.	1/2"	\$31.95	

* (proper adapter will be supplied)

FREE — NEW 40 PAGE CATALOG • While in the Philadelphia Area Visit our Fully Stocked Showroom (call for easy directions)

CONTROL THE SPEED OF YOUR ROUTER

ROUT AT THE SPEED THAT GIVES THE BEST RESULTS WITH THE WOOD AND BIT YOU ARE USING!



FEATURES:

- Works With All Routers 3/4 HP or less - 120V 15 Amp.
- Full Horsepower and Torque at All Speeds.
- Gives Your Router a Feature Only Available on Routers Costing Hundreds of Dollars!

\$39.95
SALE
\$29.95
Order Item #1304
Free Shipping in Continental U.S.

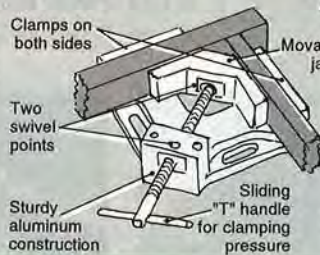


CAN-DO CLAMP will hold objects of different sizes in multiple positions covering various applications

Great for framing, drilling, doweling and more!

- Easy to use
- Quick
- Secure
- Precise

Reg. price \$29.95
Order Item #9001 Sale \$24.95
Free Shipping in the Contiguous U.S.



To order by Master Charge, Visa, or Discover Call Toll Free, 7 Day - 24 Hour Order Service

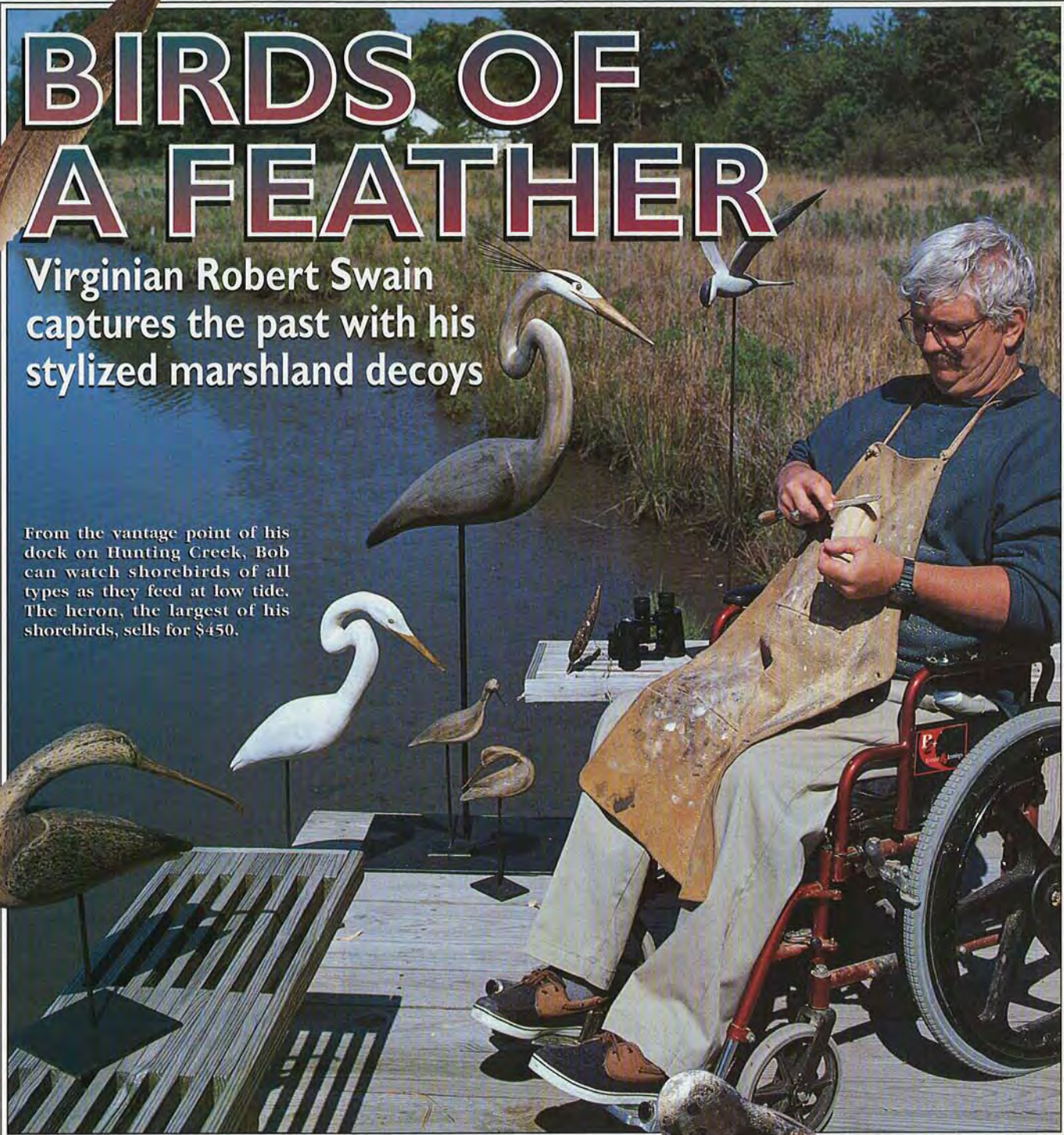
1-800-533-9298

or send check to: **MLCS Ltd.**
P.O. Box 4053 DX, Rydal, PA 19046

BIRDS OF A FEATHER

Virginian Robert Swain captures the past with his stylized marshland decoys

From the vantage point of his dock on Hunting Creek, Bob can watch shorebirds of all types as they feed at low tide. The heron, the largest of his shorebirds, sells for \$450.



Prior to the 1920s, shorebirds were extensively hunted along the coastal areas of the eastern United States. From the beaches of Cape Cod to the marshes and tidal estuaries of South Carolina, hunters set out decoys by the dozen to lure their game. And local carvers, using the simplest of tools, became adept at

turning out wooden facsimiles of curlews, yellowlegs, dowitchers, peeps, ruddy turnstones, plovers, sanderlings, and other species to meet the demand.

Unlike the highly detailed, life-like duck decoys found at carving competitions, however, shorebird

Continued

This pair of ruddy turnstones is patterned after an old Long Island style. They sell for \$150 each.

BIRDS OF A FEATHER



decoys or “stools” as they are called, were always simple. While their shapes faithfully represented the different types of birds, the finishing and painting only hinted at the original. And because the decoys were set out by sticking them into the mud or sand, a single stick served as legs.

Today, just a few original decoys remain from the thousands that were in use when shorebirds could legally grace a dinner table. Yet, the appeal of these stylized symbols of a past time has never diminished, encouraging present-day carvers to take up the knife. Among the best to do so is native Virginian Robert Swain.

Detail takes a back seat to style

“The old-time carvers didn’t spend days shaping out and finishing a

bird—it didn’t pay. So I don’t either,” says Bob Swain as he turns a freshly finished peep in his hands. “I can do about four of these in a day. And I do them in the traditional manner.”

No matter how short the time it takes to produce one, Bob’s birds have earned him fame. In eight years, the fifty-year-old’s work has reaped recognition at wildfowl and art shows all along the Atlantic shore and as far away from home as New York City, where his shorebirds were featured at a special Virginia-crafts exhibit in Bloomingdale’s department store. And on his customer list you’ll find collectors’ names from across the nation. Not bad for someone who began his carving career on a hunch.

“My father had a feed and farm supply store in a small town near

Parksley, Virginia, then I took it over,” recalls Bob, who became a parapalegic in a 1965 auto accident. “When my turn came, I turned the business into a garden and lawn supply center. And it did very well.” But by the mid-1980s, Bob could sense an end to the local building boom, and sold out.

“I was looking for something to do, and a decoy-carver friend of mine named Mark McNair suggested that I give carving a try,” says Bob. “He said that my hobby photography showed that I had a good eye. In a short time, I learned a lot from him that otherwise would have taken me a decade or more.”

In 1986 Bob carved his first decoy, a ruddy duck. “Someone even wanted to buy it,” he laughs. “But I didn’t sell it. I sold the second one, though.” Even with immediate success, it wasn’t long before Bob turned his attention to shorebirds. “I guess it’s their sculptural quality that I like. They don’t have to be—and never were—detailed,” he explains. “I can appreciate highly detailed work, but I think that once you look at it, it becomes static. A realistic decoy never changes. But when you look at a stylized shorebird, you always get a new impression of it.”

Old-time techniques still work

Only a bandsaw dates Bob’s shop to this century.

Otherwise, his workshop on Hunting Creek, a tidal waterway a few miles from Chesapeake Bay, appears as if it had time-traveled from the 1800s.

For shaping the bandsawed forms of Atlantic white cedar, Bob wields a small hatchet. Like a salad chef’s slicing and dicing, he accurately hacks the wood with the razor-sharp tool. Quickly, it begins to take shape. In less time than it takes to cut up a cucum-

When shorebird hunting was legal, the hefty curlew provided a plentiful meal. Fitted with beaks of carved oak, Bob’s curlew decoys cost \$175 each.





Shunning motorized tools as much as possible, the carver works the white cedar block to rough shape with a razor-edged hatchet on a chopping block made from an old stump.

ber, Bob has the dowitcher decoy in rough, ready for rasping.

"This is a No. 49 [fast cutting] cabinetmaker's rasp, and nothing beats it for smoothing," says Bob as he nestles the bird against his leather shop apron. With deft strokes, he pushes the steel across the wood, sometimes with the grain, sometimes against. "For curved necks, I can use a spokeshave, but with either tool I don't go for real smooth," he notes. "Leaving it a little rough makes the paint cling. And it adds to the aged look."

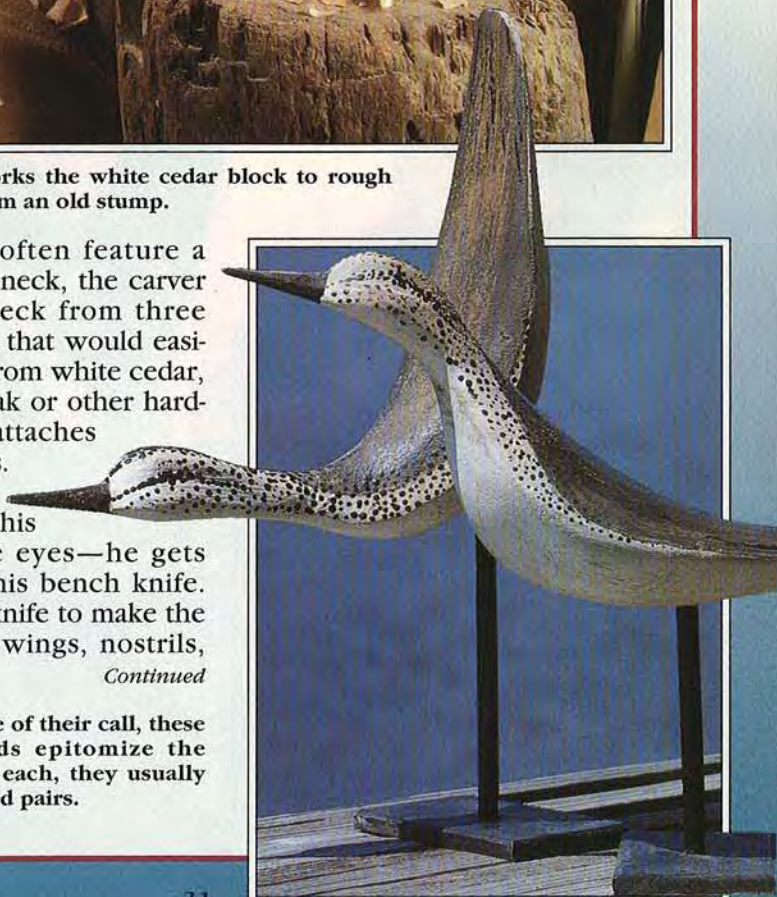
To the dowitcher body Bob will glue on a one-piece head and neck. For long-necked birds, such

as herons, that often feature a curved or curled neck, the carver assembles the neck from three pieces. Long bills that would easily break if made from white cedar, he carves from oak or other harder woods, then attaches them to the heads.

What details Bob requires on his shorebirds—like eyes—he gets with the aid of his bench knife. He also uses the knife to make the cuts that define wings, nostrils,

Continued

Called peeps because of their call, these graceful shorebirds epitomize the Swain style. At \$50 each, they usually sell in naturally-posed pairs.



BIRDS OF A FEATHER



bill indentations, and other minute changes of shape. But you won't find him using a power carving tool and its bits. He frankly doesn't feel comfortable around power tools.

"I have to use the bandsaw to cut out the blanks from the 6x8" cedar blocks, but I don't like doing it. Machines kind of scare

me," he admits. "Besides, the hand tools I use have been relied on for more than 100 years. And I try to keep things traditional."

Distress from a puff of smoke

Following a decoy's rasping, Bob burns it. No kidding! "Burning the wood—actually scorching it—

smoothes the grain fibers out. But it also pits the body in places, as if it were weathered," says Bob. That said, he wipes a section of the decoy with mineral spirits, strikes a wooden match, and touches it to the wood. Poof!

He watches the flames intently, turning the decoy around and upside down to direct the "damage." Then, satisfied, he blows out the flame.

"I can't describe to you exactly what effect I'm looking to get before I blow out the fire, but I know it when I see it," he chuckles as he rubs more fluid on the wood. Again, the lighted match, the flame, the smell of seared cedar. Bob holds the flaming bird away from his body, out from the wheelchair. Then he puts it out.

"I burned myself one time pretty bad," he says. "I had just blown out a flame and started to head up the ramp to the house. But I could smell something still burning. I looked, but there wasn't a fire on the shop floor or anywhere. Then I noticed my pants leg, and found the flame. You see, I don't have any feelings in my legs and couldn't tell I was on fire. So I got a real good burn. But that was the only time." [Note: *WOOD*® magazine does not recommend using flame as described in this article. See page 44 for an alternative method of distressing wood and weathering a finish.]

A flaming finish for shorebirds

When it comes time for finishing his decoys, Bob can't get enough of fire. But his work never goes completely up in smoke. Flames actually speed the process.

"I never did have great quantities of patience. So, I started the burning to make the paint dry more quickly," he remarks.

Bob's preferred paint—Ronan's Superfine Quick-Drying Japan Colors—does set up fast for an oil-

Following the smoothing of the body, which Bob does with a rasp, he rubs paint thinner on the decoy and sets it afire to effectively distress the wood.



based enamel because it's intended for use in the sign trade. That is, if it were applied with a brush. Instead, though, Bob resorts to the old ways again, and mostly uses sticks.

"Those old carvers didn't have money for fancy brushes," says Bob. "They just carved the end of sticks and dabbed the paint on for feathers. And it goes fast that way."

"Instead of using a 000 brush to paint in stripes for feathering, I just shape the end of a flat stick and dip it in the paint. Then it's dab, dab, dab, right down the bird [see photo *right*]. For the little scallops that indicate overlapping feathers, I just roll some sandpaper into a small half tube, then slide it on the end of a dowel, tape it in place on the stick, and start painting."

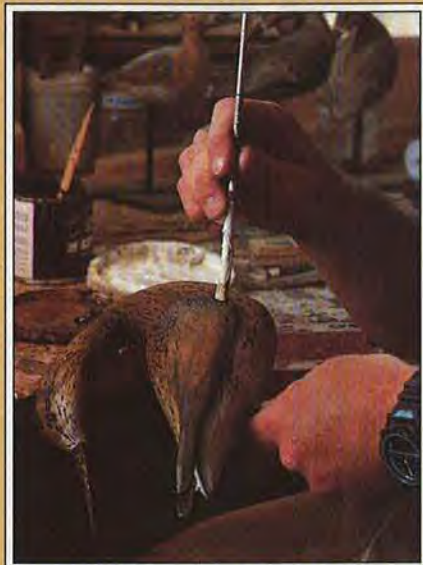
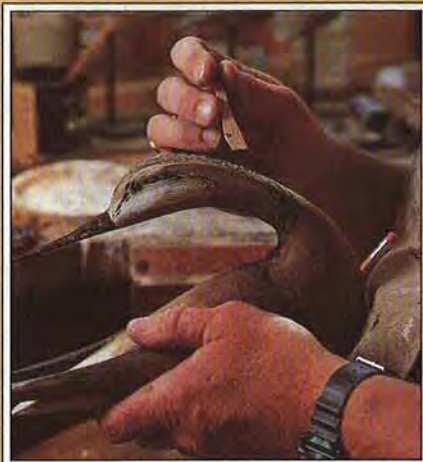
Painting with a stick also has the advantage of laying the paint on thickly, which gives the shorebird's body texture that you can feel. But, if it weren't for the burning—which Bob does after adding each color—the paint would tend to dry very slowly. With the stick-and-burn method that Bob has discovered, he can paint a medium-sized bird, such as the dowitcher, in about half an hour. Then he lets the paint dry for a couple of hours before the final cleanup.

"To bring out the different colors and remove any soot, I wash my birds in the kitchen sink with Dawn dish soap," he says, amused. "Next, I take a beat-up old scrub brush, the kind for cleaning up dirty floors, and give the decoys a good rubdown. That takes a little of the paint off, just like it's been out in the weather for a long time getting all beat up." And, if over the years, one of Bob's shorebirds should shed more paint, he'll gladly take it back for a flaming refinishing. Satisfaction guaranteed!♣

Written by Peter J. Stephano
Photographs: Steve Uzzell



Sanderlings, with their muted colors and soft lines, are among Bob's best sellers—at \$65 apiece. Their finish appears to have stood the test of time.



Want to share in the Swain style?


Turn to *page 42* to learn how to carve and finish a dowitcher decoy designed by Bob Swain. For more information on Bob's shorebirds, write with an SASE to Swain's Shorebirds, P.O. Box 1631, Parksley, VA 23421.

After painting on the undercoat with a brush, Bob turns to sticks of different shapes to apply suggestive feather patterns on the decoy body.

Shorebird hunters always set out groups of decoys, called stools, to attract live birds. These graceful yellowlegs cost \$90 each.



WET-WHEEL GRINDERS

 Print this article

GIVE YOUR TOOLS THE EDGE THEY DESERVE

Choosing between a vertical or horizontal wheel

With water-cooled grinders you have a choice of vertical or horizontal wheels. The 220-grit aluminum-oxide vertical wheels rotate at about 90 rpm and remove material faster than the horizontal wheels. These vertical wheels also grind a concave bevel, as shown in the *Hollow Grind* drawing. This concave shape makes the final honing on a bench stone easier because you hone only the front and rear edges of the bevel, as shown in *Honing a Hollow Grind*.

Compared with the vertical wheels, horizontal wheels turn faster, around 500 rpm, but their finer-grit stones



Sharpening a tool on a high-speed bench grinder is like performing brain surgery in the back of a fast-moving pickup truck—theoretically possible, but difficult to do well. One small slip and you'll gouge the tool's cutting edge, or overheat the metal and destroy the temper of the steel.

Fortunately, you now have the option of keeping cutting edges sharp with the introduction of slow-speed water-cooled grinding machines. Compared to conventional bench grinders running at 3,450 rpm, these machines operate at anywhere from 60 to 500 rpm. This reduced speed gives you terrific control by slowly and evenly grinding away small amounts of metal. Plus, the grinding wheels receive a trickle of water from a reservoir, or rotate in a water trough, so that cutting edges never overheat.

The primary use for slow-speed wet-wheel grinders is to sharpen hand tools—chisels, plane irons, knives, spokeshaves, axes, and

turning tools. But some of these machines will sharpen planer and jointer knives as well.

Not surprisingly, the cost of this high-quality sharpening doesn't come cheap: the least-expensive model in our tests costs about \$100, and one tops out at \$500. But in return, you'll never have to wait for your tools to come back from the sharpening service, you'll never ruin a tool on a high-speed machine, and you'll never again have to struggle in trying to make a clean, accurate cut with a dull hand tool.

Safety also ranks high as a reason to use wet-wheel grinders. A grinding wheel spinning at 60 or 500 rpm is much less likely to jerk a tool out of your hands and cause serious injury than a wheel roaring along at 3,450 rpm. And a sharper tool is always safer to use than a dull one.

To help you get a handle on the new world of slow-speed sharpening, we rounded up 12 of these machines and tried them out. Here's what we found.

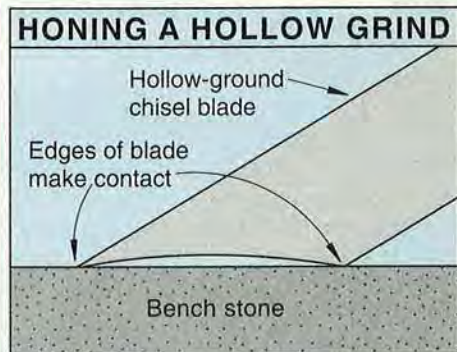
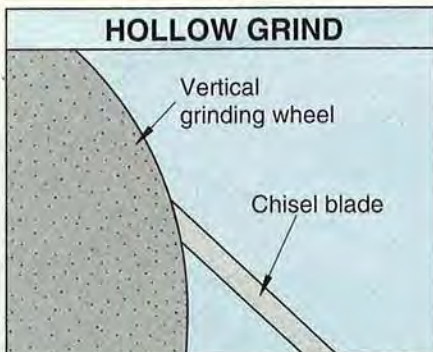
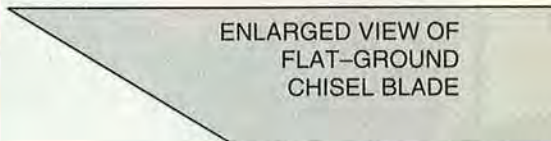
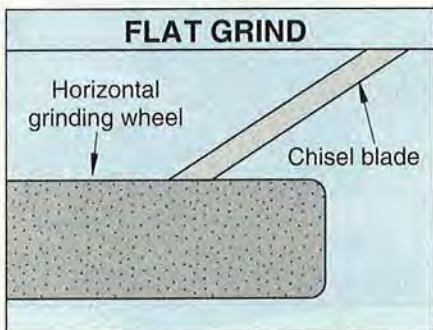
Choosing between one- and two-wheel machines

Many of these grinders, both vertical- and horizontal-wheel, offer a smaller secondary wheel running off the same motor, but spinning without water at 3,450 rpm. Like conventional bench grinders, these wheels hog off a lot of metal in a hurry. This second wheel increases the versatility of the machine and in many cases eliminates the need to own a conventional, high-speed grinder.

To help you with your selection, we put the machines into three categories: one-wheel horizontal grinders, two-wheel horizontal grinders, and two-wheel vertical grinders. We'll talk separately about the Tormek since its design differs significantly from any of the other models we tested.

give you a polished edge. Made from the same material as Japanese waterstones, the horizontal wheels measure about 1×8" and come in grits from 800 to 1,000. The flat bevel produced by a horizontal wheel requires more work to hone—you remove metal across the entire width of the bevel.

Perhaps the biggest advantage of the horizontal wheels is that you can sharpen jointer and planer knives with many of them. None of the vertical-wheel models (except for the Tormek) offers this feature. Aside from these differences, the choice between a flat or hollow bevel is mostly a matter of personal preference. Hollow grinds work well on most tools, but many carvers prefer a flat bevel on their knives.



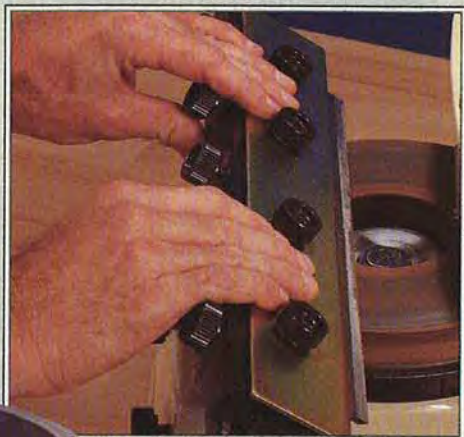
Continued

WET-WHEEL GRINDERS

A fine grind: single-wheel horizontal models

These machines spin at the same speed, about 500 rpm, and use the same type of fine-grit wheels as the two-wheel horizontal grinders. They cost more than their two-wheel cousins (*opposite page*), but they vibrate a bit less since they're not paired up with the faster wheel.

Except for the Makita, these grinders come with a stamped-steel tool rest. Makita includes as standard equipment a sturdy, two-piece cast-iron planer/jointer knife jig, as shown *below*. This jig allows you to sharpen jointer and planer knives up to 15¾" long. And the base of the jig works well on its own to steady chisels, plane irons, and turning tools. You can buy similar cast-iron planer/jointer knife jigs for the Matsunaga and the Woodcraft models, but these jigs cost about \$140.



Makita's sturdy cast-iron planer/jointer knife jig allows you to sharpen these tool edges with precision.



MAKITA



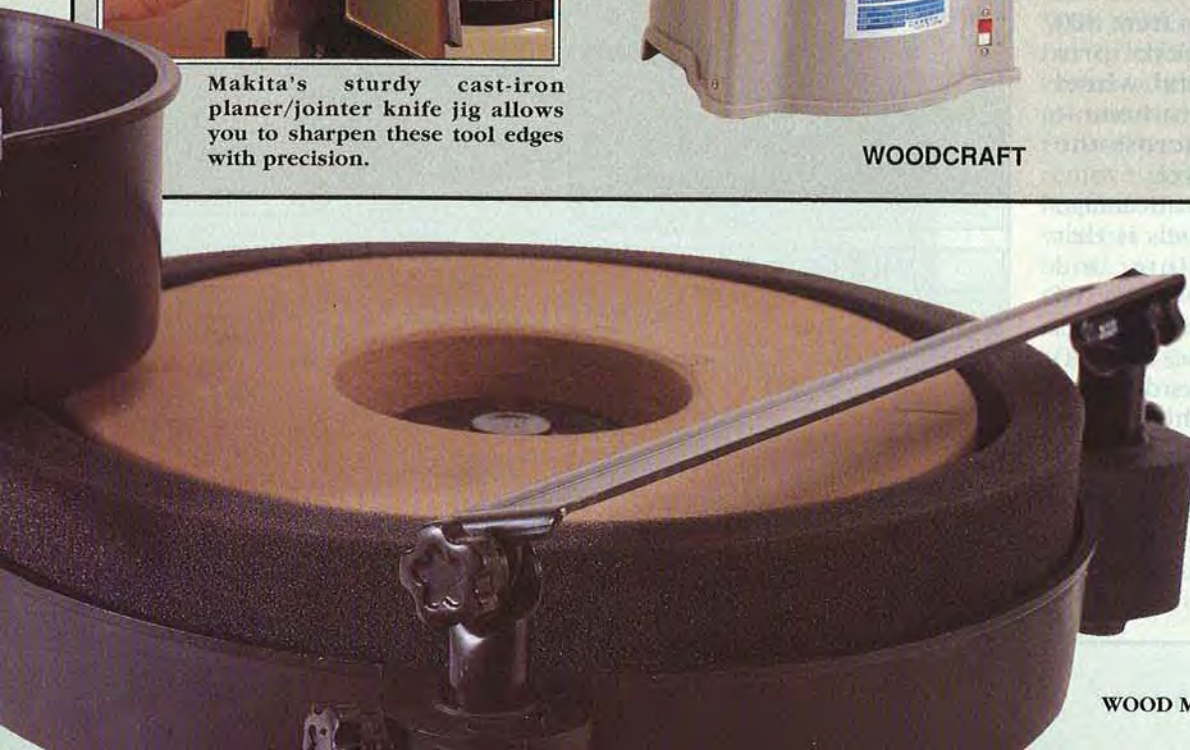
RAKUDA



WOODCRAFT



MATSUNAGA



The stamped-steel tool rest on many of the horizontal-wheel grinders, works well for freehand grinding, but it may bend if you bear down too hard.

The versatile choice: two-wheel horizontal grinders

All of these machines look and operate about the same, with one exception. The Woodtek model offers a 2"-wide (rather than the ½" standard) dry grinding wheel. This wide wheel, shown in the photo at *right* enables you to rough-grind big chisels and plane irons without the tool tipping off the side of the wheel.

The water for these machines drips onto the wet wheel from a reservoir above it. At 500 rpm, water occasionally gets flung beyond the foam splash guards. And compared to vertical wet wheels, which take just seconds to become saturated and ready for use, the horizontal wheels take several minutes.

We found that the tool rests on these machines will flex under pressure. This is not a major drawback, however. It only means you'll have to use a lighter touch and take your time when removing a lot of metal.

Another problem we discovered with the AMT and Reliant models is an uneven base—the feet didn't all make contact on a flat benchtop. This tended to magnify the vibration and required the use of shims under the feet to keep the machines steady.

The extra-wide dry wheel on the Woodtek machine comes in handy for removing big nicks and gouges on plane irons and chisels.



RELIANT MODEL DD68



AMT



WOODTEK

WET-WHEEL GRINDERS

Slow and steady: two-wheel vertical grinders

The 10" aluminum-oxide wheels on these machines rotate at 60-90 rpm giving you excellent control over the tool. And the 220-grit wheels make these user-friendly grinders more aggressive at removing material than the horizontal-wheel models. Most of these machines are nearly identical, and the only drawbacks we found were the tool rests. They don't

give you any way to firmly clamp the tool in a fixed position.

Fortunately, we found a solution: the Accu-Sharp Grinding Jig, shown *below left*. The top part of the jig is all you need for the Delta since it has a more-substantial tool rest that includes a cast-iron table with a miter-gauge groove. For the other grinders, you'll need the auxiliary table too. Note, however, that the Penn State grinder includes the jig and table as standard equipment. The jig and table cost \$44.95 ppd., and the jig without the table costs \$34.95 ppd.

from Parkwood Products Co., P.O. Box 87, Montvale, NJ 07645.



GRIZZLY



RELIANT MODEL NN355



DELTA



The Accu-Sharp jig and auxiliary table attach to the factory-made tool rest. It clamps your tool in a fixed position so that you can slide it across the wheel and grind a consistent bevel angle.



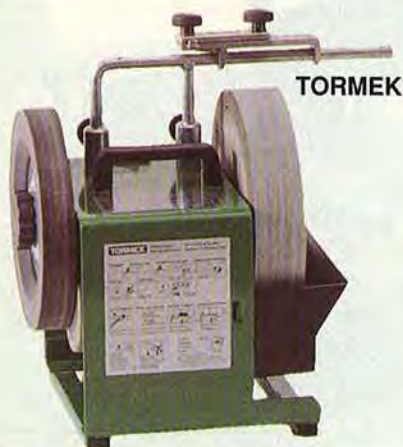
PENN STATE

A different breed: the Tormek

With a 10" vertical wheel paired to a leather stropping wheel, the Tormek Supergrind 2004 provides for all your grinding needs—from fast material re-

moval to final honing. And while most other grinders suffer from inadequate tool support, the Tormek system is built around a simple, but versatile and effective tool rest.

The tool rest consists of a support arm shaped like a sideways "F." The two short prongs slide up and down in collars on the machine, and the various jigs ride along the horizontal axis of the support arm. As shown in the photo *right*, you can remove the tool and jig together from the support arm, check the progress of your grind (or strop off a burr), and then return the jig and tool to the support arm without having to recalibrate the grinding angle.



TORMEK



The basic machine comes with only one jig (for plane irons and chisels), but the company offers additional jigs for holding planer and jointer knives, gouges, axes, knives, and scissors. All the jigs worked well, except the scissor jig which is designed for

COMPARING SLOW-SPEED GRINDERS

MANUFACTURER/ IMPORTER	MODEL NUMBER	SPECIFICATIONS							PERFORMANCE (3)							COMMENTS	SUPPLIER PHONE NO.				
		TYPE (1)	AMPS	WET WHEEL DIAMETER (INCHES)	AUXILIARY WHEEL DIAMETER (INCHES)	WET WHEEL SPEED (RPM)	WET WHEEL GRIT	WET WHEEL COMPOSITION (2)	TOOL REST	VIBRATION	MATERIAL REMOVAL RATE	MANUALS	OVERALL RATING (4)	WARRANTY (MONTHS)	COUNTRY OF ORIGIN (5)			WEIGHT (POUNDS)	LIST PRICE	SELLING PRICE (6)	OPTIONAL ACCESSORIES (7)
AMT	4881	TWH	2	8	6	400	800	WS	F	F	G	F	7	*	T	24	\$159	\$98	---	A good price, but an uneven base and runout in the horizontal wheel caused more vibration than in similar models.	610/948-0400
DELTA	23-700	TWV	2	10	5	70	220	AO	G	G	G	G	8		T	33	225	180	---	The most expensive in this category, but the machine showed minimal vibration and came with a better-than-usual tool rest.	800/438-2486
GRIZZLY	G1036	TWV	4.2	10	4.5	70	220	AO	P	G	G	G	8		T	33	100	100	---	Low-cost unit delivers good results. Needs an aftermarket tool rest.	800/541-5537
MAKITA	9820-2	SWH	1.1	8	---	560	1,000	WS	E	G	G	E	9		J	24	410	220	CW, FW	Our favorite single-wheel horizontal grinder. The jointer/planer knife-jig as standard equipment makes this a good value.	714/522-8088
MATSUNAGA	07W61	SWH	1.75	8	---	500	1,000	WS	P	G	G	---	8		J	14	300	300	CW, FW, KJ	Somewhat expensive, but it's easy to use. Good performance and minimum vibration.	Garrett Wade 800/221-2942
PENN STATE	SSG	TWV	4.2	10	5	60	220	AO	E	G	G	G	9		T	35	170	170	---	Good value and performance. Includes Accu-Sharp jig as standard equipment.	800/337-7297
RAKUDA	RS-205A	SWH	1.9	8	---	500	1,000	WS	P	F	G	---	7		J	24	535	535	CW, FW	Expensive. Heavier than other horizontal-wheel grinders, but not any smoother.	Garrett Wade 800/221-2942
RELIANT	DD68	TWH	2	8	6	400	1,000	WS	F	F	G	F	7		T	33	120	120	---	Uneven base causes vibration. Comes with a coarse dry wheel for rough grinding.	Trend-Lines 800/767-9999
	NN355	TWV	4.2	10	5.5	70	220	AO	P	G	G	G	8		T	33	109	109	---	Good performance for the money. Tool rest needs aftermarket jig.	
TORMEK USA	SUPERGRIND 2004	V/S	2	10	---	90	**220/ 1,000	AO	E	E	E	E	10		S	33	369	369	**	Our favorite - expensive, but worth it. Does everything from fast material removal to final polishing. Numerous jigs.	800/586-7635
WOODCRAFT	07W61	SWH	1.75	8	---	500	1,000	WS	P	G	G	P	8		J	14	269	269	CW, FW, KJ	Good performance and minimum vibration. Numerous aftermarket jigs and accessories.	800/225-1153
WOODTEK	878-463	TWH	2	8	5	400	800	WS	F	G	G	F	8		T	24	140	140	---	Our favorite of the two-wheel horizontal grinders. Minimum vibration and a 2"-wide dry wheel.	Woodworker's Supply 800/645-9292

NOTES:

- | | | | | | | | |
|--|--|--|--|--|-------------------------------|---|---|
| 1. (SWH) Single-wheel horizontal
(TWH) Two-wheel horizontal
(TWV) Two-wheel vertical
(V/S) Vertical wheel with
leather stropping wheel | 2. (AO) Aluminum oxide
(WS) Japanese-style waterstone | 3. E Excellent F Fair
G Good P Poor | 4. Scale of 1 - 10 with 10
being the highest score. | 5. (J) Japan
(S) Sweden
(T) Taiwan | 6. Does not include shipping. | 7. (CW) Coarse-grit wheel
(FW) Fine-grit wheel
(KJ) Planer/jointer knife-grinding jig | * 10 year warranty on parts, 1 year on motor
** See text
--- Not applicable |
|--|--|--|--|--|-------------------------------|---|---|

European-style scissors that have a different bevel angle than those made for the U.S. market. Other standard equipment includes a tube of stropping compound, an angle-setting device, and an excellent 64-page instruction manual.

One accessory we recommend is the stone grader (about \$20). With it you can change the surface of the wet wheel from 220 grit to 1,000 grit just by holding either the rough or smooth side of the grader down on the moving wheel for a few seconds. With the wheel smoothed to 1,000 grit, you can polish cutting edges to a mirror-like finish and flatten the backs of chisels and plane irons by grinding them on the side of the wheel.

Our recommendations

We chose the Tormek as the sharpening machine we'd most like to see in our shop. It provides superior results faster and easier than any other machine in the test. And the leather stropping wheel put such a fine edge on our tools that they needed no further honing on bench stones.

Of the one-wheel horizontal grinders, we liked the Makita best. It ran the smoothest of all the models in this category. Plus it's the only machine in this group that includes the cast-iron jointer/planer knife-grinding jig as a standard feature. Since this

jig can cost up to \$140 as an aftermarket item, we consider the Makita—at \$220—a good value for the money.

We also think that any of the two-wheel vertical grinders will serve you well—after you install the Accu-Sharp Grinding jig. Grizzly currently offers the best price in this category.

In the category of two-wheel horizontal grinders, we recommend the Woodtek. It vibrated the least of all grinders in this category, and the usefulness of the 2" high-speed wheel put this machine ahead of the pack. 🐾

Written by Tom Jackson
Technical Consultant: Matt Ver Steeg
Photographs: John Hetherington

TREASURES FROM ONE TURNED



If you're looking for a lathe-turning challenge, try some knitting needles. Such slender turnings can tax your skills, but we'll show you a couple of jigs that will make this project a pleasure.

To set up a friction drive, fit the lathe tailstock with a revolving center. On the headstock, install a dead cup center (the type often provided as a tail center with a lathe). Or, make the simple fixture shown in the Drive Fixture drawing.

To construct the drive, attach a 1½"-thick scrapwood auxiliary faceplate to your 3" faceplate. True the edge and face, and bore a ¼" hole ½" deep at the center. Glue a ¾" length of ¼" dowel into the hole. Turn the protruding end to ⅝" diameter.

A drive dog (the partial circle shown on front of the fixture) provides a positive drive when pure friction isn't enough, as is sometimes the case when rounding down square stock. To make one, first, draw a circle the diameter of your auxiliary faceplate on a piece of ⅛"-thick plywood. Divide the thickness of your turning stock by two, then make a mark that distance above the circle center. (With ¾" stock, for instance, the distance would be ⅜".) Draw a line across the circle through that mark. Cut out the circle, then cut along that line. Use the smaller segment as your dog. Drill a ⅝" hole near each corner of the part.

Project prep

Stock:

¾×¾×15" hardwood.

Lathe equipment:

Steady rest, spur drive center or 3" faceplate, revolving tail center.

Turning tools:

¾" roughing or spindle gouge, ¼" spindle gouge, 1" and ½" skew, ⅜" parting tool.

Lathe speeds:

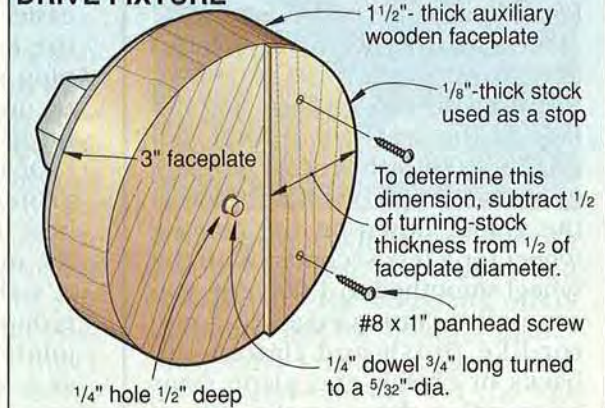
roughing, 800-1,000 rpm; turning and sanding 1,200-1,500 rpm.

Install a steady rest on your lathe. If you don't have one, now is the time to build one. You just can't successfully turn a knitting needle or any other long, slender object without one. You'll find simple instructions for building a steady rest on [page 76](#).

Create some friction

For slender turnings like these, friction drive provides a real advantage—lapses in technique do less damage. If you catch a tool, the turning simply stops going around.

DRIVE FIXTURE



TRADITIONAL CRAFT TO ANOTHER KNITTING NEEDLES

Mount the turning stock

For each knitting needle, cut a $\frac{3}{4} \times \frac{3}{4} \times 15$ " piece of hardwood. (Walnut—shown in the photo—and cherry are good choices, as are many exotic woods.) Find and mark the center on each end.

Mount the stock between centers. If you use the friction-drive fixture, drill a $\frac{5}{32}$ " hole $\frac{1}{4}$ " deep into the center on the driven end of the stock. Place the hole over the dowel. Attach the dog with screws, butting the straight edge against one side of the square stock for a positive drive. Move the steady rest's support arm out of the way.

Round the stock down to $\frac{1}{2}$ " diameter with the roughing gouge or large spindle gouge. As you approach the smaller diameter, slide the arm of the steady rest over until the wheels contact the stock. Position the rest at about the middle of the workpiece. Afterward, remove the dog from the friction-drive fixture.

Next, make it smaller

About 5" from the headstock end, mark a line around the workpiece. Leaving a waste piece about $\frac{3}{4}$ " long at each end, turn the stock to $\frac{5}{16}$ " diameter between the line and the tailstock and $\frac{7}{16}$ " between the line and the headstock. Turn down to these diameters progressively; that is, take a little off one section, then the other. Take light cuts, too. (We used the skewers here, and for the remainder of the project.)

Adjust the steady rest frequently as you work, bringing the wheels to bear firmly against the workpiece. Applying enough force to prevent the thin turning from whipping may actually push the workpiece slightly out of line toward the front of the lathe.

Photographs: John Hetherington Illustrations: Kim Downing



For additional support, wrap your hand around the turning as you take a light cut with the skew. (The steady rest has been removed for clarity.)

That's fine; the pressure of the tool on the front of the workpiece will push it back into line. Just don't push it too far out of line.

The job will go more smoothly with a bit of hand-holding, too. As you work, cup your left hand behind the workpiece with your thumb on the tool blade as shown *above*. As the tool flexes the workpiece, apply hand pressure from behind to prevent whipping. The more you can keep the turning's centerline aligned along the lathe's axis, the better your turning will look.

Here comes the fun

Turn the needle shaft to its finished diameter. (See the chart *right* for sizes. We made needles in the three largest sizes.) Check the diameter often at several points to ensure a true shaft. Form the pointed end partially, but leave a small tenon to connect it to the waste at the tailstock. Keep the turning running true with the steady rest.

Lay out the the grip end, using one of the Full-Sized patterns on *page 74* or your own design. With the skew or a small gouge, form

the features, supporting the turning with your hand. Turn the top to a small supporting tenon.

Sand the handle with 150-, 220- and 320-grit abrasives. Be careful not to obliterate the features with too much sanding. Turn off the lathe, and sand the needle itself with the grain. A sanding block helps keep the needle true.

Dismount the turning. Saw the waste from the grip end. Sand the end to remove the nib. Leave the waste attached to the needle end for the time being—it's convenient to hang onto while finishing the turning. Apply a clear finish. When dry, saw off the waste, and sand the end to a rounded point, not a sharp one. Finish the end, wax the needle, and buff.

Don't know a knitter?

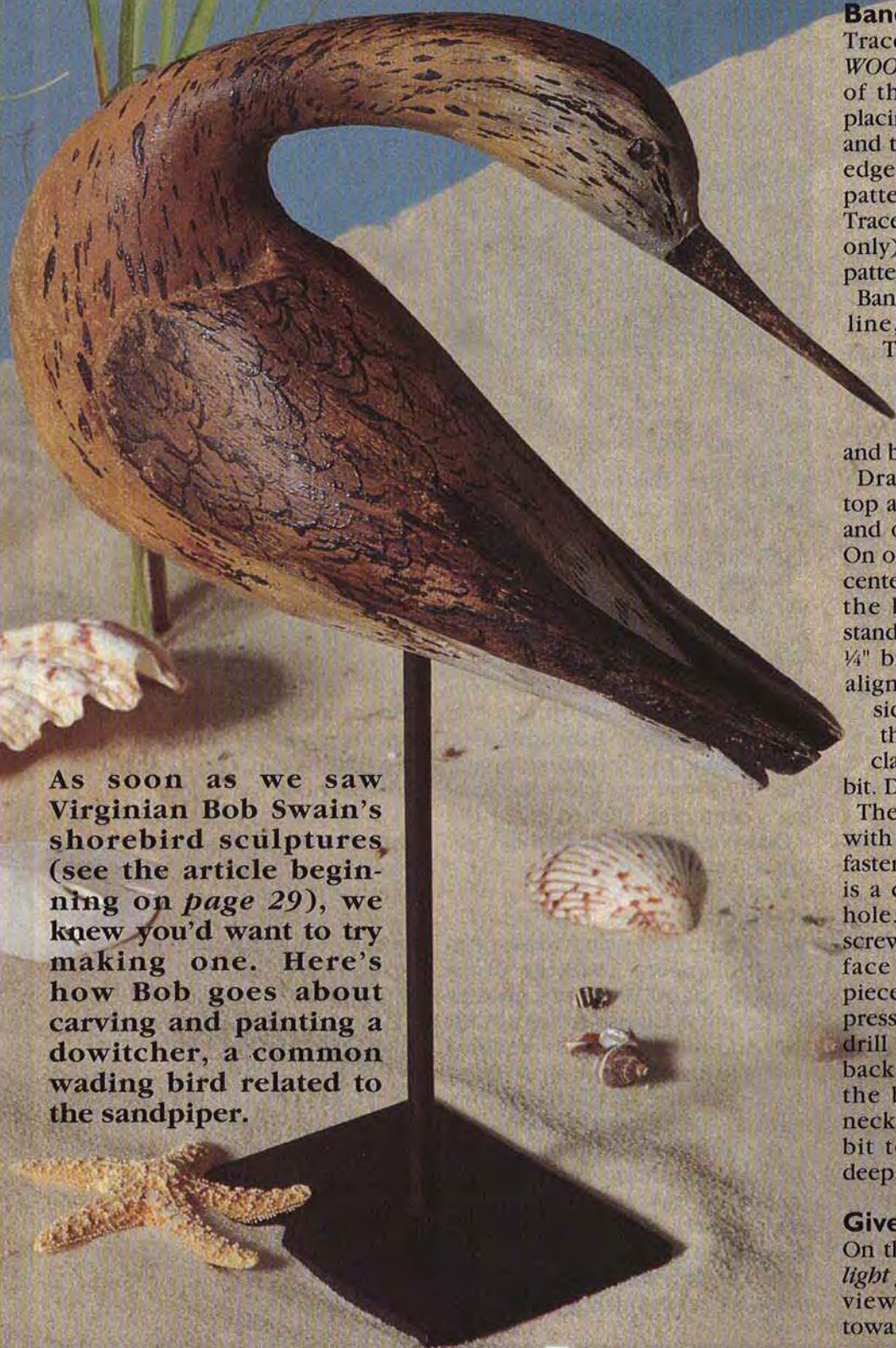
For a variation, make a crochet hook. Turn it just like a knitting needle, except shorten the shaft to 5". Then, form the hook end by sawing a slot and filing a notch on each side where shown in the pattern illustration. Use a commercial crochet hook for a model.

Or, try this for a change. Sharpen the point slightly, and the knitting needle becomes a decorative skewer for food. Use it for cold hors d'oeuvres, though, rather than for cooking shish kebabs. Or, make two with blunt ends for a one-of-a-kind pair of chopsticks. ♣

Knitting-needle diameters		
size	mm	inch
00	2	$\frac{5}{64}$
0	2.25	$\frac{3}{32}$
1	2.75	$\frac{7}{64}$
2	3	$\frac{1}{8}$
3	3.25	$\frac{1}{8}$
4	3.75	$\frac{9}{64}$
5	4	$\frac{5}{32}$
6	4.5	$\frac{11}{64}$
7	5	$\frac{13}{64}$
8	5.5	$\frac{7}{32}$
9	6	$\frac{15}{64}$
10	6.5	$\frac{1}{4}$

SHORELINE

A HIGH-STYLE SHOREBIRD FOR YOU TO CARVE



As soon as we saw Virginian Bob Swain's shorebird sculptures (see the article beginning on page 29), we knew you'd want to try making one. Here's how Bob goes about carving and painting a dowitcher, a common wading bird related to the sandpiper.

Bandsaw the blanks

Trace the Body patterns (in the *WOOD PATTERNS™* in the center of the magazine) to the stock, placing the side view on one face and the top view on the adjoining edge. Position the front of each pattern at one end of the stock. Trace the Head outline (side-view only) onto its stock and the Bill patterns onto scrapwood.

Bandsaw the top-view body outline, saving the waste pieces.

Tape the waste pieces and the cutout back together, then bandsaw the side-view outline. Cut out the head and bill blanks.

Draw a centerline around the top and bottom of the body blank and on the head and neck blank. On one side of the body, draw the centerline for the hole drilled into the bottom of the body. (The stand fits into this hole.) Chuck a $\frac{1}{4}$ " bit into your drill press, and align the hole centerline alongside the bit. Grip the body in this position with a handscrew clamp, then center it under the bit. Drill the hole $1\frac{3}{4}$ " deep.

The head attaches to the body with a screw. Though we won't fasten on the head right now, this is a convenient time to drill the hole. Hold the blank in a handscrew clamp, with the mating surface of the neck flat against a piece of scrapwood on the drill-press table. Chuck a $\frac{5}{32}$ " bit in the drill press, and center it on the back of the neck about 1" from the bottom. Drill through the neck. Counterbore with an $1\frac{1}{32}$ " bit to form a pocket about $\frac{1}{8}$ " deep for the screw head.

Give your bird wings

On the bird's back, draw the two light gray lines shown on the top-view. Note that they converge toward the tail.



Print this article

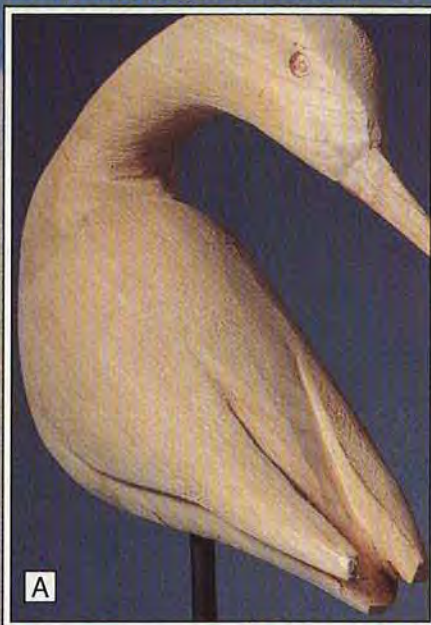
SOJOURNER

Between those lines, carve the bird's back straight down to the tail, shown in profile by the *dotted* line on the side-view pattern. Here's an easy way to do that. First, stop-cut the two lines with a backsaw. Start sawing at the tail end of the line, holding the saw blade parallel to the slope of the back. Cut down to the top of the bandsawed tail notch, but don't cut into the upper part of the bird's back. You'll only be removing the wood between the ends of the folded wings.

Once you've made your saw cuts, clear out the waste wood. Pare it away a little at a time with a chisel or gouge. Don't try to create a perfectly flat plane; maintain a slight side-to-side crown on the back between the wings, shown in Photo A, *right*.

Now, round over the bird's back and sides. The rasp, coarse rotary power-carving bits, gouges, or a knife would work. Follow the Section B-B profile and the finished widths shown on the pattern as guides. (Leave a little extra material—perhaps $\frac{1}{16}$ " or so—to allow for sanding.) Keep an eye on the centerline on the blank to maintain symmetry from side to side. Concentrate on the upper two-thirds of the body from the neck to the tail, for now.

After you've rough-shaped the body, draw a wing on each side, following the *light gray* line on the side-view pattern. Stop-cut the lines, then carve the lower part of the wings and body. Create a distinct separation between the lower edge of the wing and the body, shown in Photo B. The wings should appear almost as if they're separate parts, applied to the body. Round over the front edges as you shape the body. Bring the tail to a rounded point, as shown in the photos.



Project prep

Stock: Basswood, jelutong, white cedar, or other carving wood. Body, 4×3×10"; head, 2×3½×6"; bill, ¾×¾×4½".

Carving tools: This design accommodates many carving techniques. You could use most wood-shaping tools, such as knives, gouges, power-carving equipment, a rasp, or abrasives. Project designer Bob Swain often uses a second-cut (#49) cabinet-maker's rasp for shaping.

Buying Guide

Blanks and stand. Bandsawn body, head, and bill blanks, \$29.95 per set ppd. in U.S. Add \$5 for a steel stand as shown in the photo. (Stand available separately for \$7.95 ppd.) Bob Swain, Box 1631, Parksley, VA 23421.

Now, carve the head

On the front of the head blank, mark the location for the slot to receive the bill's tab. Drill a series of adjoining $\frac{1}{8}$ " holes to rough in the slot. With a knife or gouge, clean out between the holes and square the corners.

Epoxy-glue the bill to the head, ensuring that it sticks out straight and level. The bottom of the bill should be parallel to the line of the bottom of the head, too.

Refer to Photo C, *above*, then shape the hollow areas shown on each side of the head. The round

Continued

DOWITCHER

side of a rasp or a shallow gouge will do the trick. Refer to the photographs and Head Section A-A on the pattern as you form the head. Round the front sides of the head and shape the bill.

Next, carve the eyes into the sides of the head. Draw a $\frac{1}{4}$ "-diameter circle where shown on each side of the head. Refer to the Eye Detail drawing, then cut straight in $\frac{1}{16}$ " deep along the line. Angling the knife tip from the center of the eye toward the edge, carve the surrounding channel. Round over the eyeball. You also could drill a $\frac{1}{4}$ " hole about $\frac{1}{16}$ " deep, and insert a 4mm glass eye into it. Now, attach the head to the body. Angle the head 10–15° to the left side of the body's centerline. Using the neck hole as a guide, drill a pilot hole into the body. Glue the head in place with epoxy, then drive in a #6x2½" dry-wall screw. After the glue cures, fill the screw hole with wood filler, and shape the neck. Blend the neck into the body and the bill into the head, filling the seams as necessary.

Paint makes it perfect

Sand the bird lightly before painting. Leave some rasp or abrasive scratches for texture, if you wish. Round any sharp edges for a soft, fluid look.

Bob paints his birds with sign-painting enamels, but you can use artist's oil paints or acrylics, available from art-supply dealers. For the dowitcher, Bob's color choices are flake white, Vandyke brown, burnt sienna, and raw sienna. Those colors are available in oils, similar ones in acrylics.

Bob achieves the aged effect on his carvings in part by painting right over the bare wood. He mixes and blends his paints right on the bird, too. The resulting variations in color and texture lend the well-worn look he seeks. Here's how Bob paints one.



With flake white, paint about 3" back on each side of the head, about the same distance up from the tail on the back, and on the underside from the tail to the stand hole. While the paint is still wet, add raw sienna and Vandyke brown, blending them into the white and covering the rest of the body and neck. Keep the color a little lighter on the bottom and onto the curve of the breast.

Shade in a triangle of raw sienna on the wings behind the neck. Bring an arc of raw sienna about halfway down in front of the wings, again blending the colors together so you can barely tell where one ends and another begins.

At the wing tips, mix Vandyke brown, raw sienna, and burnt sienna. Afterward, start at the tips and brush about halfway to the front with Vandyke brown.

From the bird's forehead, brush burnt sienna and Vandyke brown along the top of the head. Continue the color down to about the point where the body and neck join. Paint the bill and eyes Vandyke brown.

To paint the feather strokes, Bob employs some unusual implements. For the straight strokes, he uses a painting stick. To make one, cut a piece of scrapwood to $\frac{1}{8}$ x $\frac{1}{4}$ x3". Sand or hammer the

edge flat, and sand it smooth. Then, dip the edge into Vandyke brown, pick up some color, and dab it onto the bird. Don't try to spread the paint or smooth it—the best strokes will look slightly raised, like the printing on some business cards.

Sandpaper and a pencil come into play for the curved feathers. Wrap a short strip of sandpaper into a U-shape around a pencil, as shown in Photo D, above. Secure the sandpaper with masking tape, then dip the sandpaper's edge into the paint. Again, blot the paint onto the surface, leaving a U-shaped line. Point the closed end toward the back of the bird.

Then, wrap a slightly longer piece of paper into a U with longer sides. Paint as before, placing these larger shapes closer to the dark wingtips. Sign your bird near the back on the bottom.

You've done a stand-up job

Finally, provide a stand for your shorebird. You can order a steel stand as shown in the photo (see the Buying Guide) or make a wooden one. For a wooden one, drill a $\frac{1}{4}$ " hole 1" deep into the center of one side of a 2x5x5" piece of stock. Glue one end of an 8" length of $\frac{1}{4}$ " dowel into it. Finish as desired, then place the the bird on the dowel. ♣

Project Design: © Robert Swain
Photographs: John Hetherington
Illustrations: Kim Downing, Roxanne Le Moine



MEASURING AND MARKING RULES TO LIVE BY

To avoid wasting wood and ensure quality results, every woodworker should develop good habits for measuring and marking cuts. Read the following five pointers to find out how well you “measure up” in this area.

1 For measurements under 1', we suggest that you use a rigid metal rule. Unlike a tape measure, a metal rule will lie flat on your workpiece, won't flex, and doesn't have a riveted end.

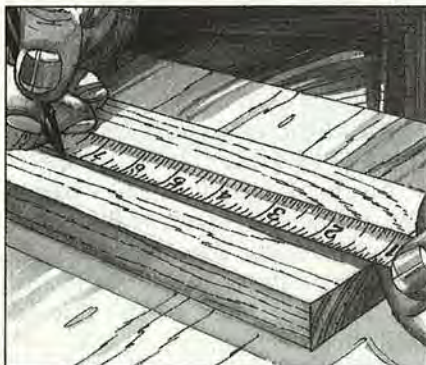
For measurements over 1', a trusty tape measure works fine. Just remember that two tape measures often will give you two different measurements. So, always use the same tape measure throughout the construction of a project. If you and someone else are working on the same project, both of you should use the same brand and length of tape measure. It's a good idea to double-check their accuracy by laying them side by side, as shown *below*, to make sure that they measure the same.



2 When cutting pieces to length, always square one end before you mark anything. Never mark both ends for length before cutting—you double your chance for error.



3 The riveted end on a tape measure can contribute to inaccuracy if its rivet holes become elongated over time. Unless you're certain that the end of your tape measure is dead-on, you should avoid using it. Instead, line up the 1" mark with the squared end of your workpiece, then subtract 1" from the reading on your tape when marking the other end of the cut.



4 Try to get into the habit of using a mechanical pencil for marking tasks. Its fine lead gives you a narrow line that

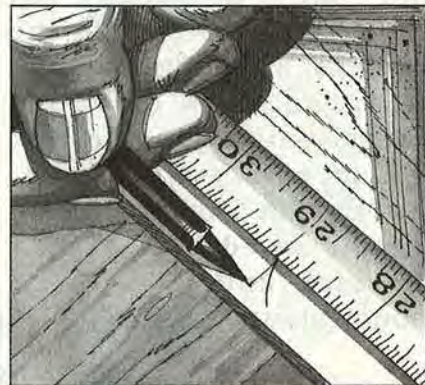
leaves little doubt where a cut should fall, mark after mark.

Such a pencil can be bothersome if you continually break the lead. To avoid this, hold the pencil at an angle rather than vertically.



5 Whenever possible, use a square to mark your pieces for length. This way, you will have a straight mark perpendicular to the edge that's easier to accurately split with your blade.

Before doing this, you need to accurately mark the location of the square's blade. Do this by making a V-shaped mark with its point at the exact measurement on the tape as shown *below*. You won't lose track of this mark if you glance away for any reason. ♣



Imaginative furniture for creative kids

STELLAR TABLE



Make playing a game of checkers, coloring a picture, or assembling a puzzle more enjoyable for kids with their very own pint-sized table and chairs. In fact, we put the playtime pieces to the test with a few discriminating youngsters and they passed with flying colors. For accents, we painted our set with bright colors and added the star and moon cutouts.

Transfer the patterns and machine the chair sides

1 Cut the chair side pattern (A), backrest pattern (B), and stretchers pattern (C) to shape from the *WOOD PATTERNS™* insert in the center of the magazine. Use spray adhesive to secure the patterns to $\frac{3}{4}$ " birch plywood. With a bandsaw or a jigsaw fitted with a fine-tooth blade, cut the chair side (A) to shape, cutting just outside the marked lines. Sand to the line to finish the shaping.

2 Drill a blade-start hole, and cut the star to shape. Wrap sandpaper around a thin flat strip of wood, and sand smooth the edges of the star cutout.

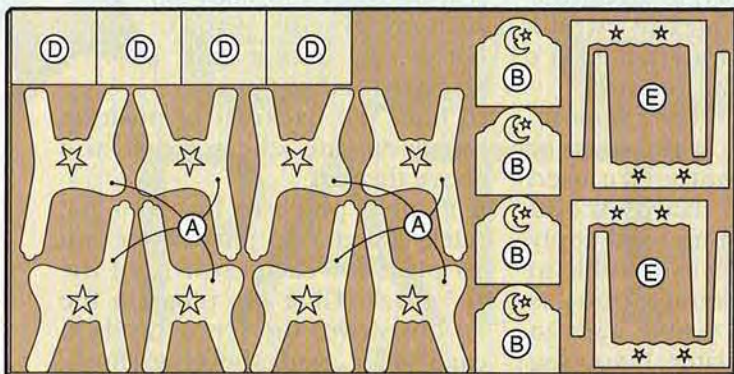
3 Drill a $\frac{1}{16}$ " hole at each marked centerpoint.

4 Use this first chair side as a template to mark the outline and star shape on the remaining chair sides. Cut the remaining chair sides to shape, cutting slightly outside the marked line. (See the Cutting Diagram for best usage of your plywood.) Cut the star-shaped openings.

5 Using double-faced tape, stick the template to one of the rough-cut chair sides. Align the template on the traced outline on the rough-cut piece. The uncut areas outside the marked line on the rough-cut piece should protrude over both edges of the template.

Continued

AND CHAIRS

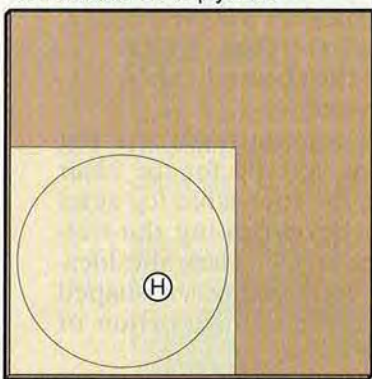
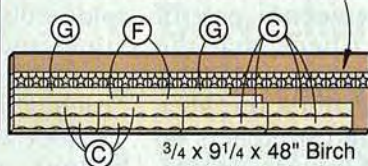


3/4 x 48 x 96" Birch plywood

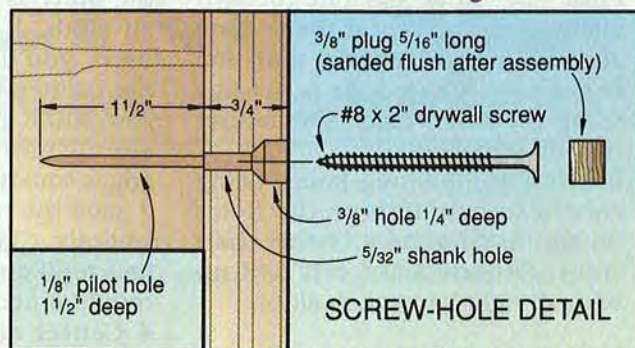
Note: Cutting Diagram provides enough material for four chairs and one table.

CUTTING DIAGRAM

Resaw 3/4"-stock to 1/4" thick for 24 star checkers



3/4 x 48 x 48" Birch plywood

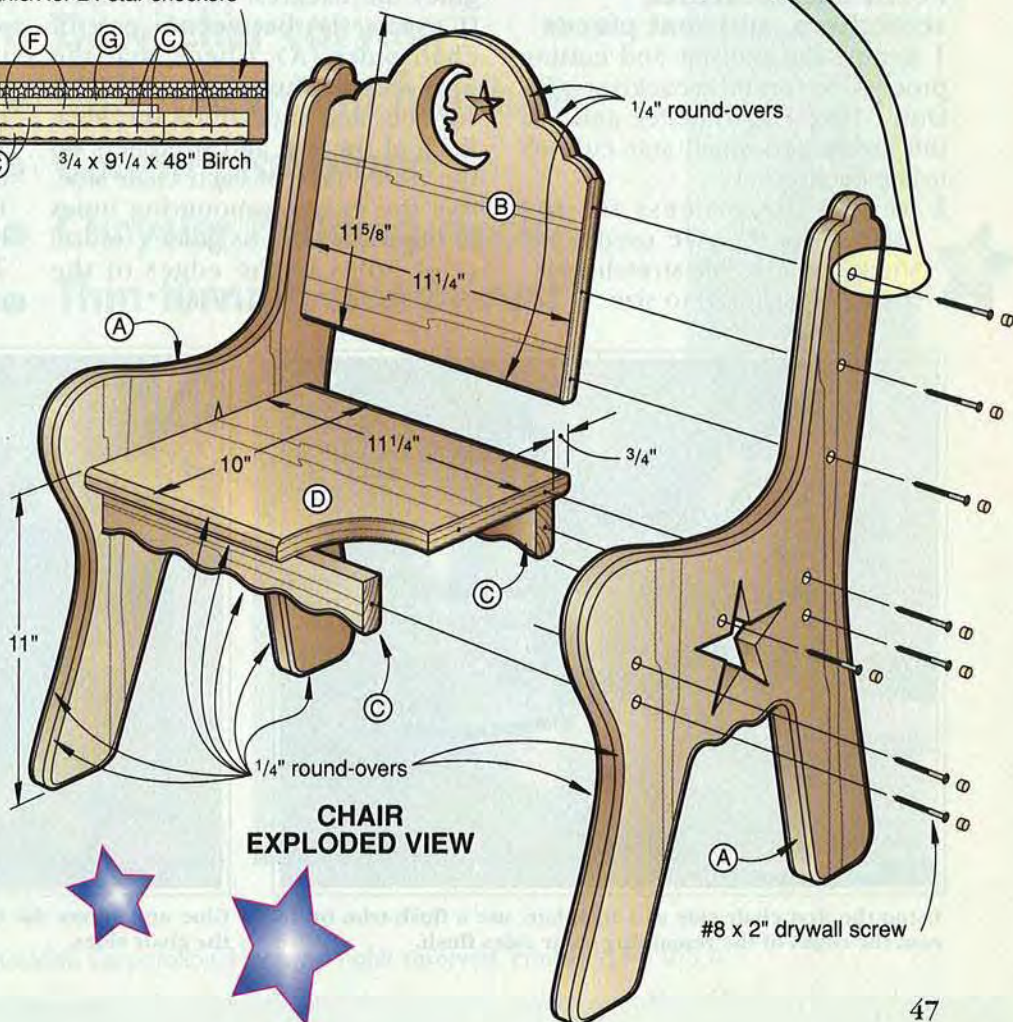


SCREW-HOLE DETAIL

Bill of Materials					
Part	Finished Size			Mtl.	Qty.
	T	W	L		
FOUR CHAIRS					
A sides	3/4"	14 3/8"	22 3/4"	BP	8
B backrests	3/4"	11 5/8"	11 1/4"	BP	4
C stretchers	3/4"	1 3/4"	11 1/4"	B	8
D seats	3/4"	10"	11 1/4"	BP	4
TABLE					
E legs	3/4"	18"	18"	BP	4
F cleats	3/4"	3/4"	16 1/2"	B	2
G cleats	3/4"	3/4"	15"	B	2
H tabletop	3/4"	28" dia.		BP	1

Materials Key: BP—birch plywood, B—birch

Supplies: #8x1 1/4" drywall screws, #8x2" drywall screws, #4 finish nails, wood filler, latex primer and paints, water-based polyurethane.



CHAIR EXPLODED VIEW

STELLAR TABLE AND CHAIRS

6 Fit your router with a $\frac{1}{4}$ " flush-trim bit. With the template on the bottom, lower the bit so that the pilot rides on the template. Rout the rough-cut chair side outline (but not the star) to shape as shown in the photo *below*.

7 To transfer the hole center-points, drill through the previously drilled $\frac{1}{16}$ " holes in the first chair side and through the second chair side. Now, separate the two chair sides, and repeat the routing and drilling procedures with the remaining chair sides, always using the same chair side as the routing template.

8 Drill the mounting holes, being careful to counterbore the holes on the *outside face* of the chair sides. Otherwise, you'll end up with all right-hand chair sides.

Form the backrests, stretchers, and seat pieces

1 Repeat the transfer and cutting process to form the backrests (B). Don't forget to transfer and cut the moon and small star cutouts to the backrest.

2 Repeat the process for the stretchers (C). We used solid-stock birch for the stretchers.

3 Cut the seat (D) to size.

Rout the edges and assemble the pieces

1 Rout $\frac{1}{4}$ " round-overs along the edges noted on the Chair Exploded View drawing. Don't rout the edges of the cutouts.

2 Sand the routed edges smooth. Next, fill any voids in the edges of the pieces with putty (we used Durham's Rock Hard Wood Putty). Take your time, and apply the putty as smooth as possible to all voids. If not enough putty is used, you'll have visible gaps in the painted edges later. If you use too much putty, you'll have to spend more time sanding the edges smooth.

3 Sand the routed and filled edges smooth. Check the edges closely and refill any remaining gaps and resand if necessary.

4 Center and lightly clamp (no glue) the backrest (B), stretchers (C), seat (D) between a pair of chair sides (A). Check that the four feet sit flush on a flat work surface, and then trace the locations of the seat and stretchers on the inside face of each chair side. Use the existing mounting holes in the chair sides as guides to drill pilot holes in the edges of the backrest, seat, and cleats.

5 Glue and screw the backrest, stretchers, and seat between the sides. As shown in the photo *below*, we used a pair of L-shaped supports to hold the backrest in position between the chair sides and above the seat.

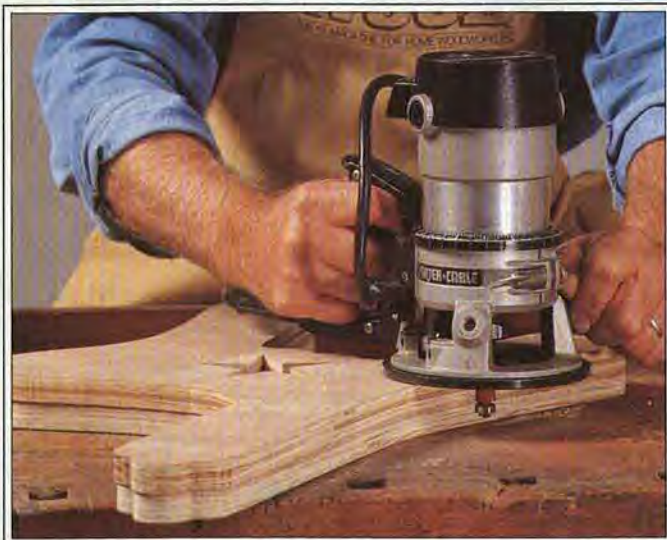
6 Plane a piece of birch to $\frac{5}{16}$ " thick. Using a $\frac{3}{8}$ " plug cutter, cut 16 plugs for each chair from the $\frac{5}{16}$ " stock. Glue the plugs in the $\frac{3}{8}$ " holes over the screw heads in each chair. Sand the plugs flush, being careful not to sand through the thin veneer of the plywood.

The checkerboard table comes next

1 Make a template for the leg sides (E) as you did for the chair sides. Cut the four table leg sides to shape, bevel-ripping the outside edges at 45° . Mark the locations and cut a pair of star-shaped cutouts in the apron portion of each table leg side.

2 Rout a $\frac{1}{4}$ " round-over along the edges noted on the Table Exploded View drawing. Don't rout the beveled edges of the legs.

3 Glue and clamp the legs together, checking for square. (We used



Using the first chair side as a template, use a flush-trim bit to rout the edges of the remaining chair sides flush.



Glue and screw the backrest, stretchers, and seat between the chair sides.

a band clamp around the top of the legs, and drove #4 finish nails through the mating beveled joints to hold the joints tight while the glue dried.) Later, set the nails and sand a 1/8" round-over along the corners of the leg assembly. See the Table Exploded View for reference. Fill the holes.

4 Cut the cleats (F, G) to size. Drill the countersunk screw holes through the cleats now. It's easier than trying to drill the holes after they're in place. Glue and screw the cleats flush with the top edge of the leg assembly.

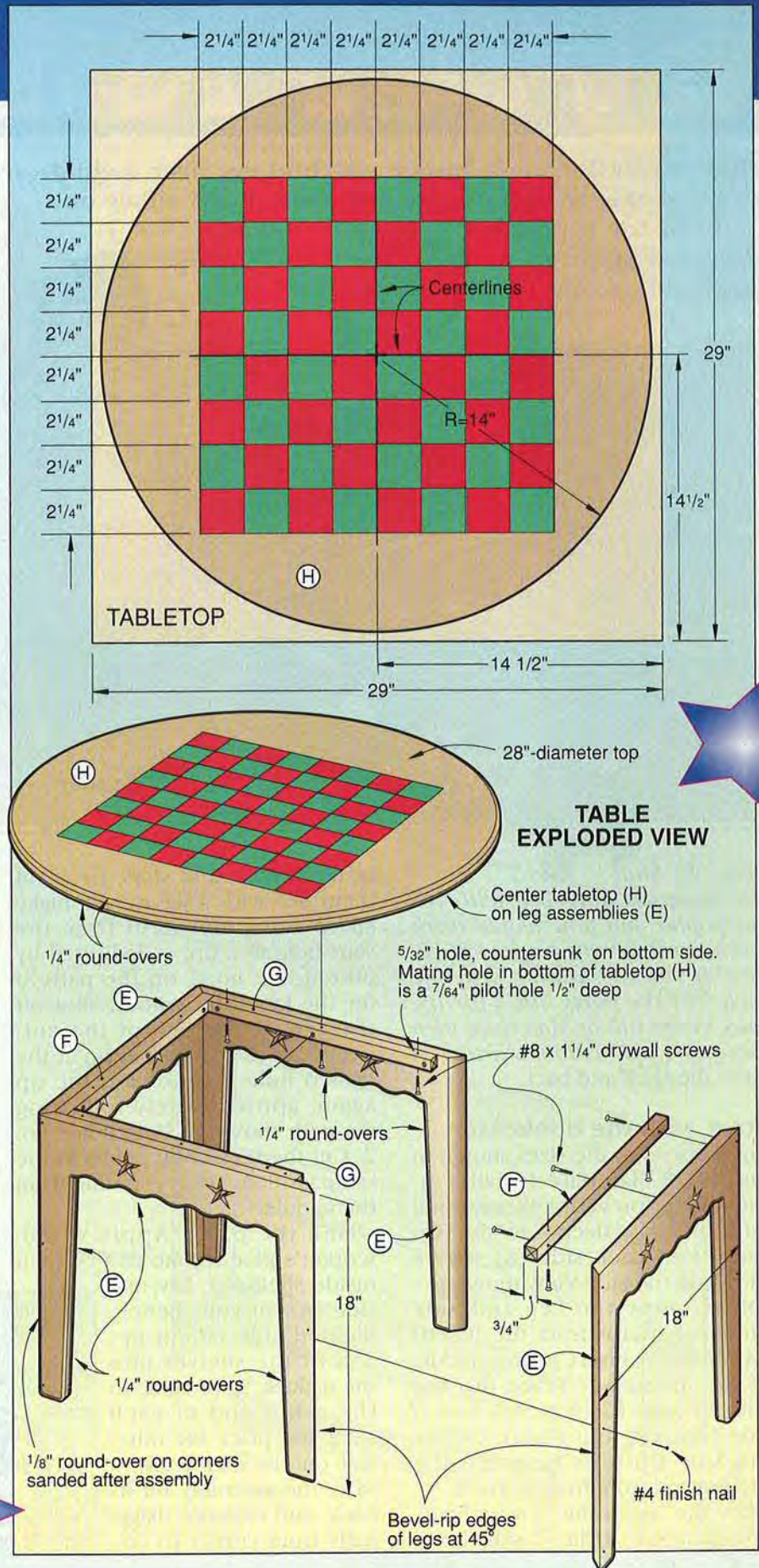
5 Cut the tabletop (H) to 28" in diameter where shown on the Tabletop drawing. (We used tram-mel points to mark the 14"-radius circle.) Sand the cut edge smooth.

6 Rout 1/4" round-overs along the top and bottom edge of the tabletop, fill any voids, and sand the filled areas smooth.

7 To make the checkerboard playing pieces, transfer the star pattern 24 times to 1/4"-thick birch stock. Next, cut and sand the 24 stars to shape.

8 Paint the table and chairs by brushing on a coat of latex primer (we used a foam brush). Paint the entire tabletop. Next, lightly pencil the large square on the top surface of the tabletop and paint it. Then, mark the checkerboard squares on the large square as dimensioned on the Tabletop drawing. Paint the individual squares. Paint twelve of the checkerboard playing pieces (stars) one color and the other twelve stars another color. For additional protection, add a coat of water-based polyurethane to all surfaces of the chairs and table.

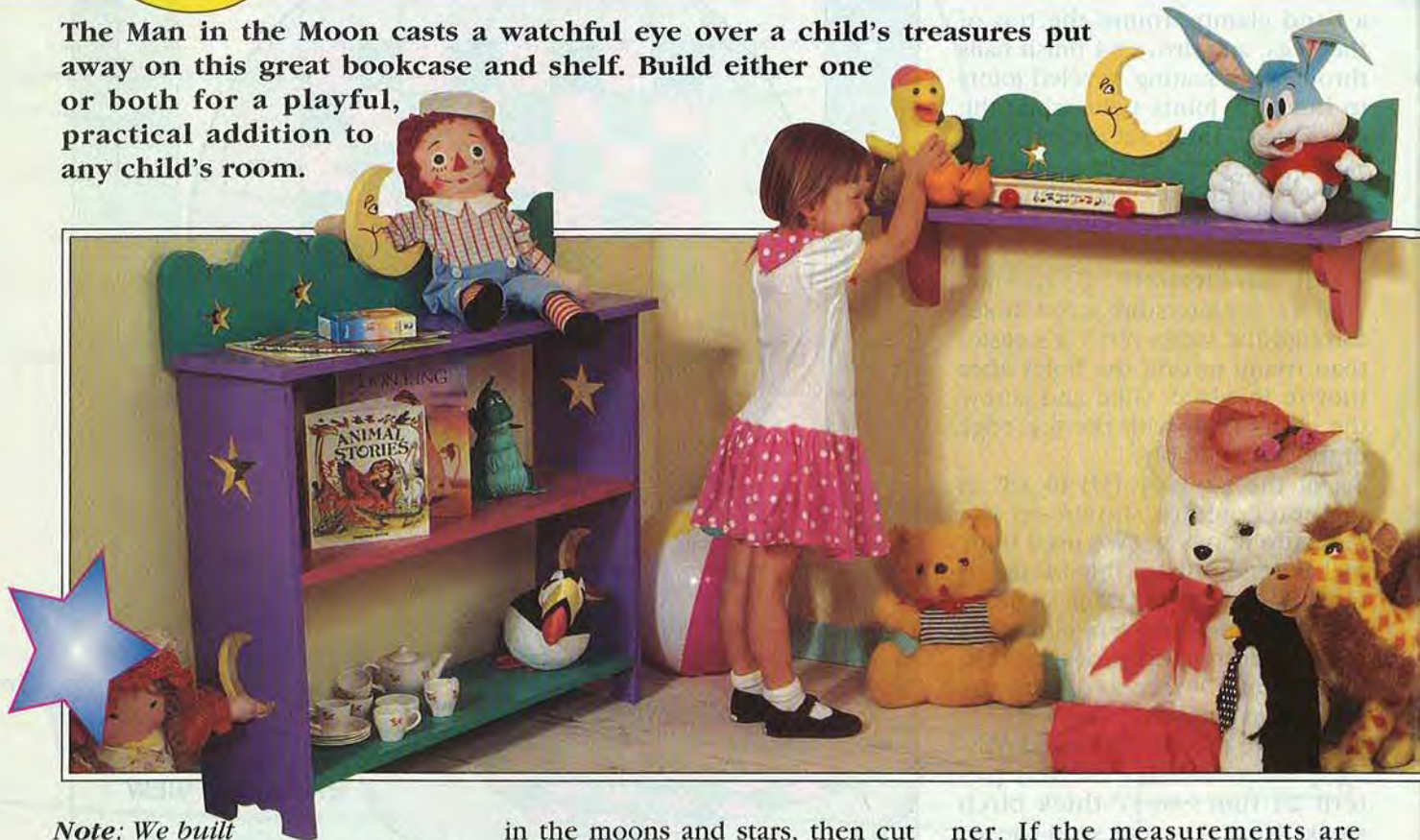
9 Working from the bottom of the table, screw through the cleats to secure the tabletop to the leg assembly cleats (F, G).



Written by Marlen Kemmet
 Project Design: Christine Anderson
 Illustrations: Kim Downing
 Photographs: John Hetherington

PLAYFUL STORAGE FOR A CHILD'S TREASURES FANCIFUL

The Man in the Moon casts a watchful eye over a child's treasures put away on this great bookcase and shelf. Build either one or both for a playful, practical addition to any child's room.



Note: We built our bookcase and shelf with yellow poplar, but pine would work just as well for this painted furniture. If you're building only the shelf, cut the parts listed for the shelf in the Bill of Materials, then follow the instructions starting at Build the shelf and back.

Start with the bookcase

Cut all parts to the sizes shown in the Bill of Materials. Install a $\frac{3}{4}$ " dado cutter on your tablesaw, and set it to cut $\frac{3}{8}$ " deep. Saw the two dados on each side (A) where shown in the Side View drawing.

Next, copy the Leg and Side Cutouts patterns from the *WOOD PATTERNS™* insert in the middle of the magazine. Trace the Leg pattern onto the bottom of each side (nearest to a dado). Center the Side Cutouts between the shelves and from front to back.

Saw the leg profile with a bandsaw or jigsaw. Drill $\frac{1}{4}$ " start holes

in the moons and stars, then cut them out with a jigsaw. To make sharp star points, cut from the start hole to a tip, as indicated by dotted line no. 1 on the pattern for the large star cutout. Shut off the saw at the end of the cut, withdraw it, and start again at the drilled hole. Cut toward the tip again, approximately following the path shown by dotted line no. 2. Cut the remaining points in the same fashion, always starting from the middle.

Sand the parts. Apply woodworker's glue to one end of each inside shelf (C). Lay one side (A) on your bench, dadoed side facing up, and fit the shelves into the dados. Apply glue to the other end of each shelf and place the other side on the shelf ends.

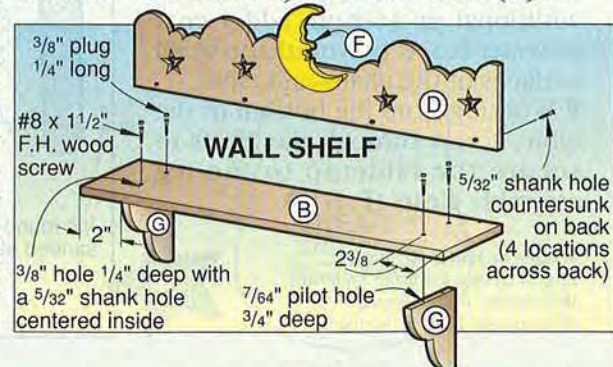
Lay the assembly on its back, and measure diagonally from corner to cor-

ner. If the measurements are equal, the assembly is square and ready to clamp. If not, adjust as needed. Clamp the assembly and check for squareness again.

Position the lower spreader (E) where shown. Glue it in position, and fasten it with 4d finishing nails. Set the bookcase aside.

Build the shelf and back

The wall shelf and the top of the bookcase are almost identical. To build either, first copy the Back pattern sections (in the *WOOD PATTERNS*). Cut the back (D) to



FURNITURE

size, then adhere the patterns to it. Align the pattern ends with the ends of the stock, and lay the bottoms along one edge of the board.

With a bandsaw or jigsaw, saw the cloud profile along the top edge. Then, with a jigsaw, cut out the stars as described in the bookcase instructions.

Now, cut out the Man-in-the-Moon ornament. Trace the Moon pattern (in the *WOOD PATTERNS*) onto part F, then cut it out with a bandsaw or scrollsaw. A $\frac{1}{8}$ " bandsaw blade will come in handy for cutting the moon's facial features. For scrollsawing, use a heavy blade, such as a #9 (.053" x .019" with 12 teeth per inch).

Drill and countersink screw holes in part D where shown. Then, screw and glue the back (D) to the back edge of part B. Match the ends, and place the bottom edge of part D flush with the bottom surface of part B. Glue the moon to the front of part D.

Drill the counterbored screw holes through part B where shown. Notice that hole placement differs between the wall shelf and the bookcase top.

To complete the bookcase, screw the shelf-and-back assembly to the top of the sides. Glue the top spreader (E) into position, and nail. For the wall shelf, attach the brackets to the bottom of the wall shelf with screws and glue.

Finish with bright paint

Plug the screw holes. Set the nails below the surface, and fill the holes with putty. Then, finish-sand the completed shelf and bookcase. Prime with white interior primer, then paint. Artist and designer Christine Anderson of West Des Moines, Iowa, painted the pieces shown with latex enamel in bright colors. To accent the side and back cutouts, paint their inside edges where shown in the photographs. ★


SIDE VIEW

Bill of Materials					
Part	Finished Size			Matl.	Qty.
	T	W	L		
BOOKCASE					
A side	3/4"	9"	28 1/2"	P	2
B shelf	3/4"	9 1/4"	36"	P	1
C inside shelf	3/4"	9"	33 1/4"	P	2
D back	3/4"	8"	36"	P	1
E spreader	3/4"	3"	32 1/2"	P	2
F moon	3/4"	6"	7 3/4"	P	1
WALL SHELF					
B shelf	3/4"	9 1/4"	36"	P	1
D back	3/4"	8"	36"	P	1
F moon	3/4"	6"	7 3/4"	P	1
G bracket	3/4"	7"	7"	P	2
Material Key: P—poplar					

Project Designs: ©Christine Anderson
 Photograph: John Hetherington
 Illustrations: Roxanne LeMoine

FROM BODY SHOP TO WORKSHOP, THIS FINISH DOES

When a **WOOD**® magazine project requires a brightly colored or clear finish that resists hard knocks, we call on Des Moines auto-body specialist Bob McFarlin. That's because he sprays a Corvette or a cabinet without switching paints.

 Print this article



three individual topcoats (in hundreds of colors), and four clearcoats. But, according to Bob, unless you want to switch from finishing wood to painting autos, you don't need to become familiar with all of them.

"Basically," says Bob, "paint [topcoats] and clearcoat that require a hardener will set up in a spray gun if you leave it there for a few hours. A topcoat with only a reducer or stabilizer in it can go right back in the can, so that's the paint you want to use. Then, you'll need a stabilizer to add to the paint and a stabilizer and hardener for the clearcoat. I can pretty much use the FAST paint stabilizer and a MEDIUM clearcoat stabilizer year around."

Bob also points out that adding flatteners allow you to regulate the sheen you want on the finish, such as an eggshell finish rather than the high gloss that clearcoat gives right out of the can. "You add them to both the colors and the clearcoat," he notes. "You also can knock the gloss down with steel wool if you don't want to fool with a flattener."

So what product from the Ultra System does Bob recommend for a first-time user? He doesn't hesitate. "Ultra 7000 basecoat paint is the easiest to work with. You can spray it from 6-18" from the workpiece, and if you have a problem, you just go back in 10 minutes and sand and buff the spot. Then, you spray it with the Ultra 7000 universal clearcoat. It's real user friendly."

There's another advantage, too, says Bob. "You can seal a wood project with the primer, wait 15 minutes, then put color on. In ten minutes, it's dry and you can

If you own a late-model automobile, you've probably heard or read the term "clearcoat." In the automotive industry, that's the literal description for the protective coating of clear acrylic urethane that goes over your vehicle's body color. This clearcoat resists scratches, dirt, oil, grease, solvents, and most important, the sun's ultraviolet rays that fade and break down color finishes over the years.

Well, if you apply the same automotive finish—either a colored

Bob does all his paint mixing right in the spray-gun can. To the paint, he'll add a proportional part of stabilizer.

acrylic urethane basecoat followed by a clearcoat or the clearcoat alone—to wood, you'll end up duplicating the bright gloss and durability of a new car's factory finish. What's more, you'll find that applying the finish is probably even easier and more fool-proof than spraying lacquer or other clear coatings woodworkers use. That's what Des Moines auto-body specialist Bob McFarlin proved to us.

Picking your paint

When the **WOOD** magazine editors involved with designing Idea Shop™ 2 (see the September 1994 issue) decided to paint the shop's utilitarian cabinetry, they turned to Bob for help. Using the same finishing materials and techniques he does every day on automobiles, Bob delivered a defect-free, bright-red and clear-natural semi-gloss finish that, he says, "Will even resist paint remover!" (Note the painted cabinet in the photo *opposite page*.)

The finishing materials he chooses belong to Sherwin Williams' Ultra System™ of automotive finishes (for more information, refer to the Buying Guide). The line of acrylic urethanes includes three types of undercoats (clear, gray primer, and red primer),



IT ALL

clearcoat it. The clearcoat dries to the touch after 30 minutes [it fully cures in 24 hours]. So if you're spraying on a couple of colors before clearcoating, you can tape off each one after 10 minutes."

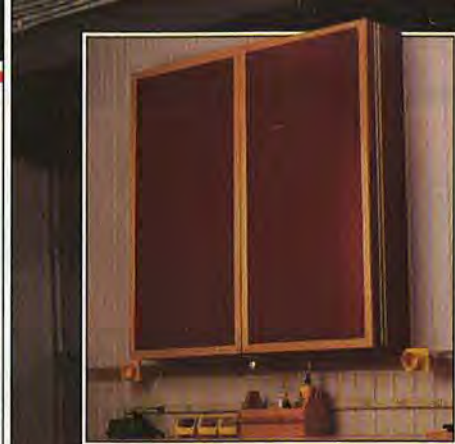
Ultra dos and don'ts

"To use the Ultra basecoat system on wood, it doesn't matter how finely you sand," says Bob.

"On the Idea Shop 2 cabinets made of birch plywood, I sprayed two coats of primer-surfacer before painting, then scuff-sanded with 600 grit to knock off the nibs that rose from the grain. That was only on the plywood. The grain didn't rise on the solid wood that I primed with clear sealer. Even applied over a stain, there's no problem."

Mixing is easy, too, according to Bob. Basecoat colors require a ratio of one part paint to one part stabilizer (you can get a mixing/measuring stick at the dealer). For every four parts of clearcoat, you add two parts reducer and one part hardener. And Bob uses the same spraying pressure for paint and clearcoat (about 45 psi) as he would for spraying a lacquer finish on wood. Even using an HVLP sprayer, the pressure must be 45 psi. And, because urethane produces toxic fumes, all spraying should be done while wearing a gas/vapor respirator approved by the National Institute for Occupational Safety and Health (NIOSH). For cleanup, Bob uses lacquer thinner.

"But," Bob cautions, "you have to remember that there is a tem-



Auto-body specialist Bob McFarlin shows off a 1975 Corvette that he sprayed with the same Ultra 7000 basecoat and clearcoat that he used to finish the wooden cabinets featured in IDEA SHOP™ 2. (See inset.)

perature minimum of 68 degrees for spraying. Acrylic urethane won't activate lower than that."

Humidity isn't much of a problem, though, says the auto-body specialist. "You can spray them at all humidity levels, whereas old-type lacquers would just turn white. These acrylic urethanes bond quicker with humidity."

What about coverage? Unlike house paint, where coverage is stated on the label, automotive finishes make no coverage claims. But Bob estimates that it takes 12 ounces of paint to put two coats on a 20-square-foot surface, and about the same for clearcoat.

What about getting dust in the paint? "Just sand it back with 1200-grit paper, then respray or cover it with clearcoat," Bob replies. And unevenness in the basecoat? "The clearcoat will take care of that. It's a basic product for someone who has never sprayed anything." ♣

Written by Peter J. Stephano Photographs: John Heatherington

Buying Guide

Ultra System™ automotive finishes. Ultra-Fill II Acrylic Urethane Sealer (transparent for clear finishes) and Ultra-Fill II Acrylic Urethane Primer Surfacer (tinted as an undercoat for painted finishes), both about \$15 quart; Ultra 7000 Basecoat (paint), starting at about \$15 qt., depending on color; Ultra 7000 Basecoat Stabilizer, about \$9 qt.; Ultra 7000 Universal Acrylic Urethane Clearcoat CC-645, about \$17 qt.; Reducer, about \$7 qt.; CCH-690 Clearcoat hardener, about \$24 pt. Available from Sherwin Williams Automotive Finish stores nationwide (see your local Yellow Pages). Note that other paint manufacturers also produce similar automotive finishing systems.





PLANT STAND

WITH
Parache

Corian moves
from show homes
to home shops

Corian, long favored for custom-home countertops, has intrigued woodworkers for years. Trouble is, getting hold of the stuff has been difficult—you had to know a countertop fabricator who could toss you some scraps of it from time to time. Now, DuPont is making it available to home woodworkers. To try your hand at working with Corian, build this plant stand. We'll give you hints along the way that'll have you working it like a pro in no time.

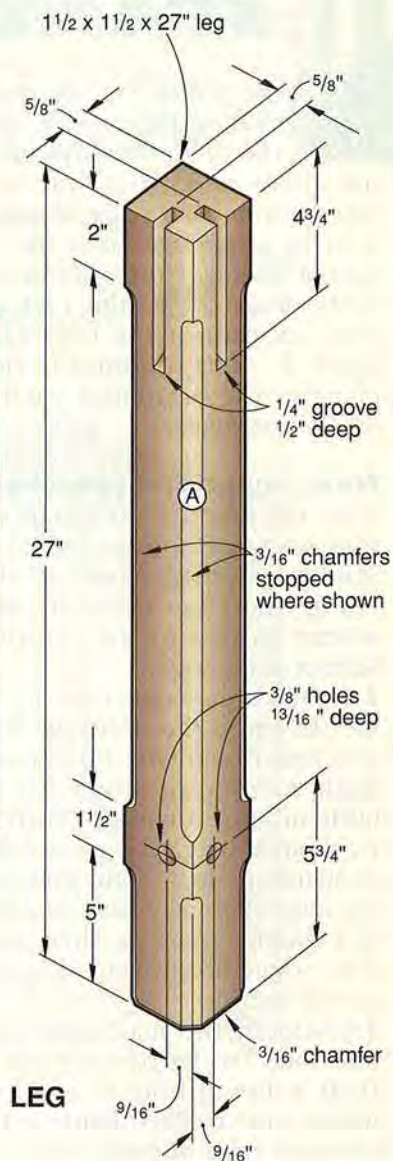
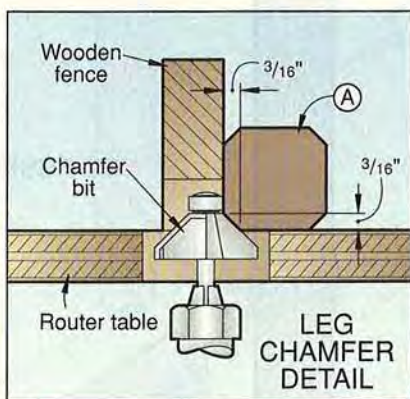
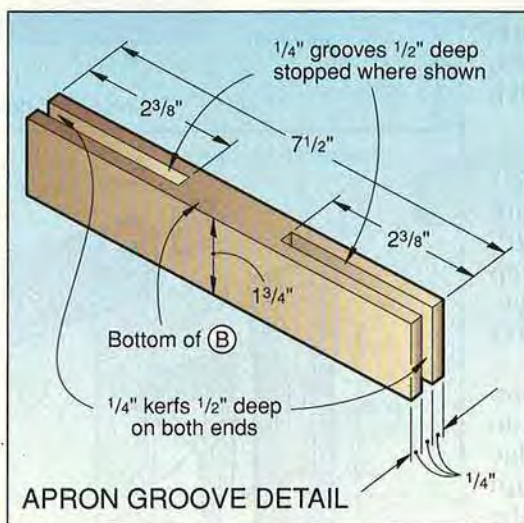
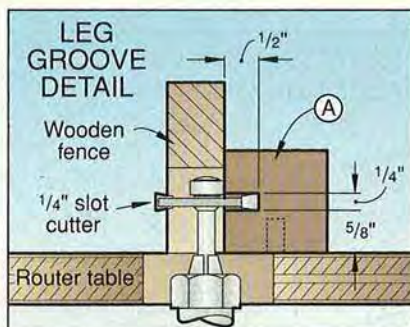
You'll probably be surprised when you find how easily DuPont Corian, a combination of minerals and acrylic, works with ordinary woodworking tools. To help you get started, we've come up with some helpful hints for working with Corian. Look for the italicized paragraphs throughout the how-to instructions for tips on working with this newly available material.

Start with the legs

1 Cut the four legs (A) to the size shown in the Bill of Materials. Cut grooves at the top of each leg where shown in the Leg drawing, *right*, using a $\frac{1}{4}$ " slot cutter in your table-mounted router. Adjust the cutting height of the bit to place the bottom of the cutter blade $\frac{5}{8}$ " above the table. Set the table's fence for $\frac{1}{2}$ " cutting depth. (See the Leg Groove detail, *right*.) Groove two adjacent faces on each leg.

2 Cut the four aprons (B) to size. Keeping the router-table fence in position, lower the slot cutter so the bottom of the blade is $\frac{1}{4}$ " above the table. Refer to the Apron Groove detail, *right*, and cut the slots on one edge and both ends of each apron.

3 Next, drill the two dowel holes in the legs where shown, using a drill press for accuracy. Be sure to drill the holes on the same faces you grooved earlier.



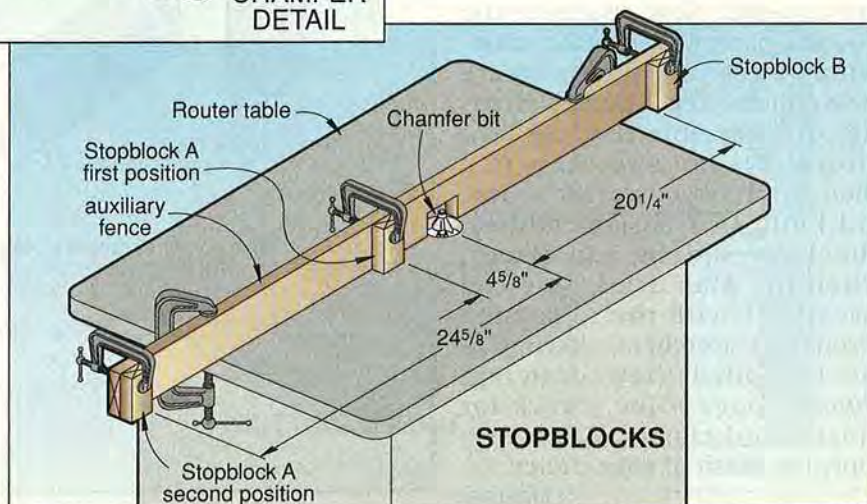
Now, rout the chamfers

1 Lay out the stopped chamfers on one leg, following the dimensions shown on the Leg drawing. Chuck a chamfer bit in your table-mounted router, then install a long auxiliary fence, as shown in the Stopblocks drawing, *right*. Set the bit height and fence to cut a chamfer $\frac{3}{16}$ " wide and deep, as shown in the Leg Chamfer detail, *right*. For uniformity among the legs, use stopblocks for routing.

2 Make all of the lower chamfers first. On the leg with the layout marks, cut the chamfer from the bottom of the leg to the stop mark. Without moving the leg, shut off the router, and clamp a stopblock to the fence at the bottom of the leg, shown as A in the Stopblocks drawing. Now, rout the four corners of each leg.

3 Next, rout the middle chamfers. Remove stopblock A. Then position the leg on the router table to begin the middle chamfer where marked near the bottom of the leg. Clamp a block to the fence at

Continued





PLANT STAND

the top of the leg, shown as B in the drawing. Form the chamfer, stopping at the upper mark. Hold the leg in that position, and place stopblock A in its new position at the bottom of the leg. Now, rout the rest of the chamfers, starting each pass with the top of the leg against stopblock B. After routing the sides, chamfer the bottom of each leg on all four edges.

Next, shape the stretchers

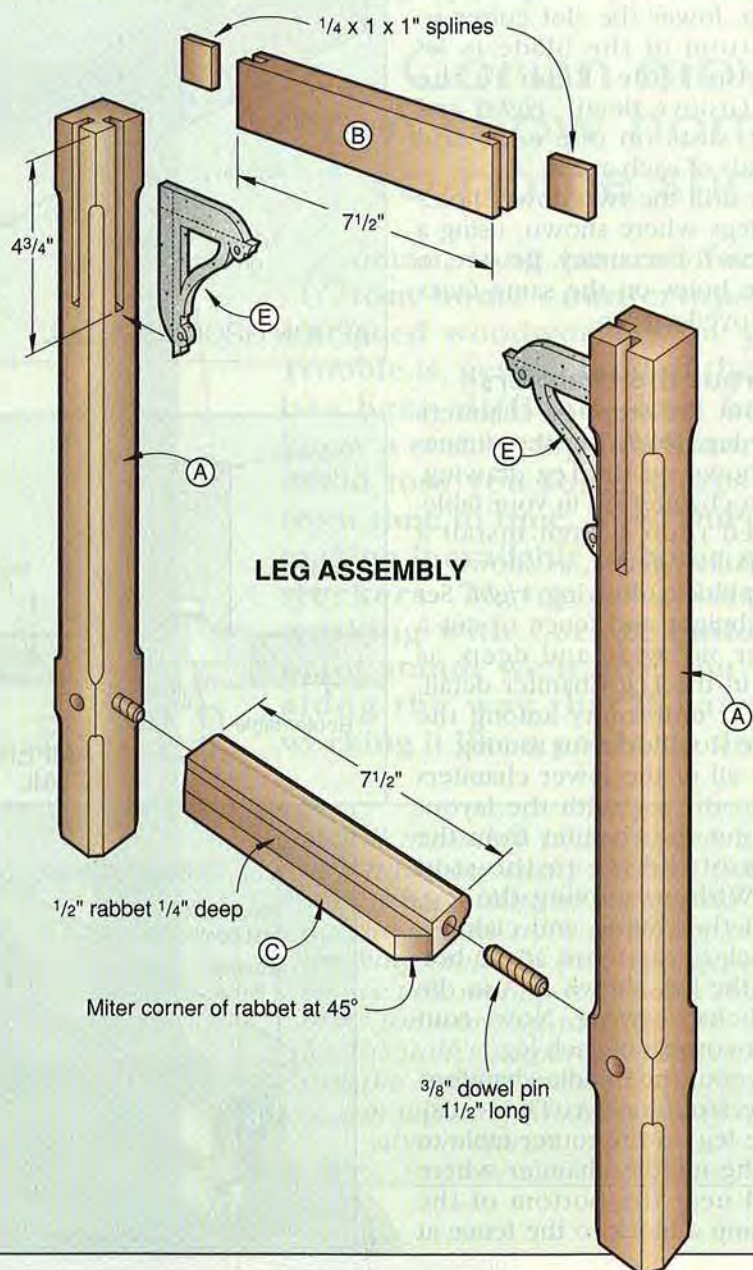
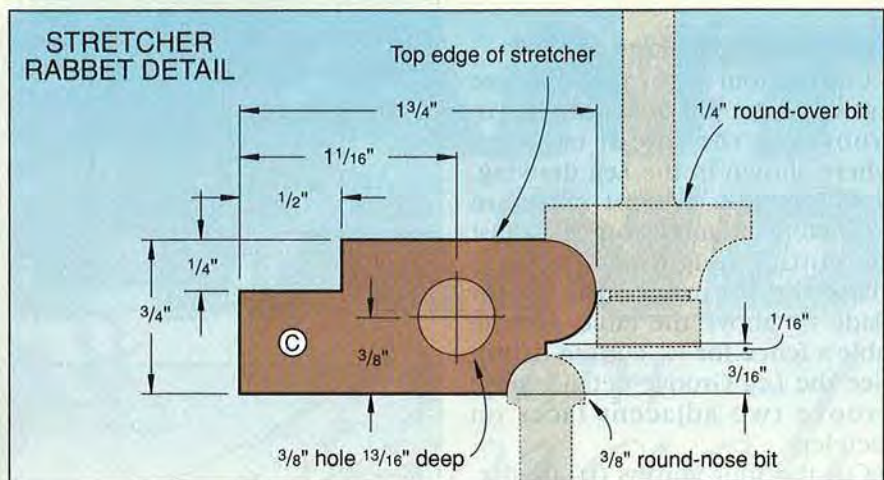
1 For the stretchers (C), start with two pieces of stock $\frac{3}{4} \times 1\frac{3}{4} \times 16"$. Saw or rout a $\frac{1}{2}"$ rabbet $\frac{1}{4}"$ deep along one edge of each piece, where shown in the Stretcher Rabbet detail, *right*.

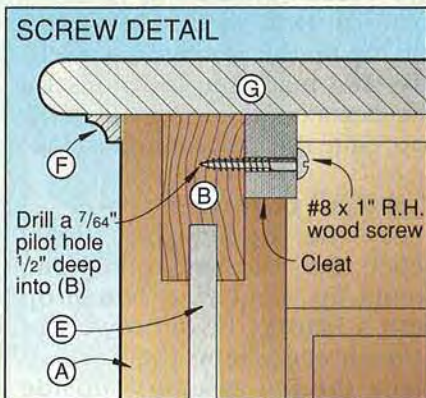
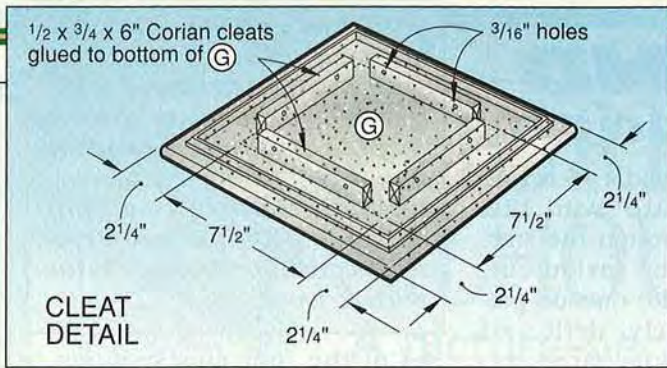
2 On the other edge, rout the profile shown in the drawing. To do this, first round over the top edge with a $\frac{1}{4}"$ round-over bit and table-mounted router. Turn the workpiece over, and raise the bit to shape the half-round portion of the edge. You may have to do this in a couple of passes. Then, install a $\frac{3}{8}"$ round-nose bit to shape the coved bottom.

3 Crosscut the machined stock into four $7\frac{1}{2}"$ lengths for parts C. Drill a dowel hole at each end where shown. Then, miter-cut the rabbeted edge of each piece, as in the Leg Assembly drawing, *right*.

4 Sand all parts with 150- and 220-grit abrasive. Now, assemble the wooden parts of the plant stand. Using dowels and splines where shown in the Leg Assembly drawing, dry-assemble the legs (A), aprons (B), and stretchers (C). Then, apply woodworker's glue, and build two leg assemblies. Check for square, and clamp. When the glue dries, join the assemblies with the remaining aprons and stretchers, referring to the Exploded View drawing, *opposite page*. Glue, check for square, and clamp. When dry, apply the finish of your choice.

Continued





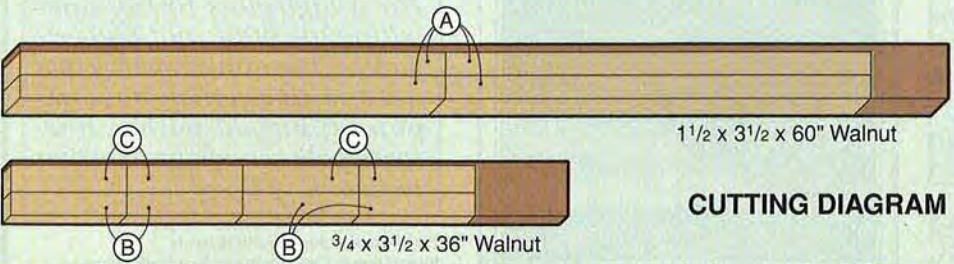
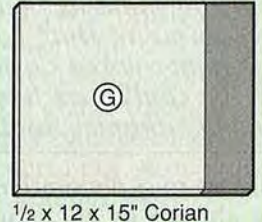
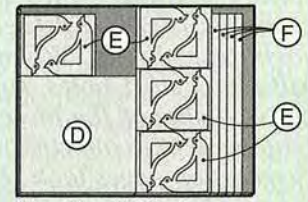
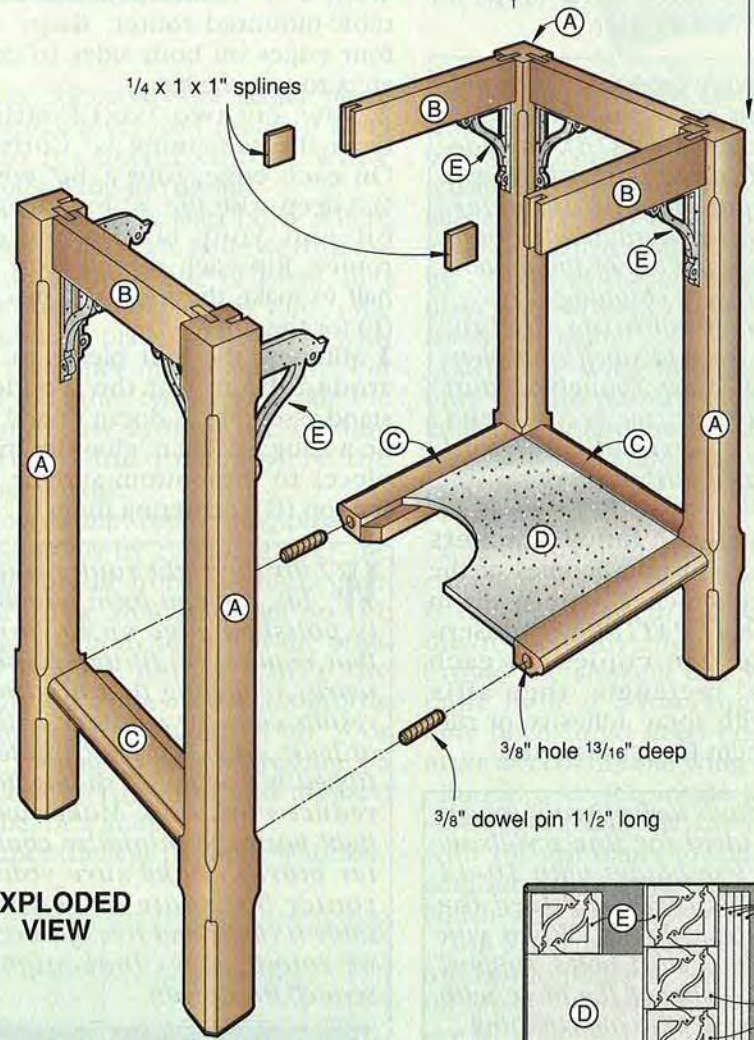
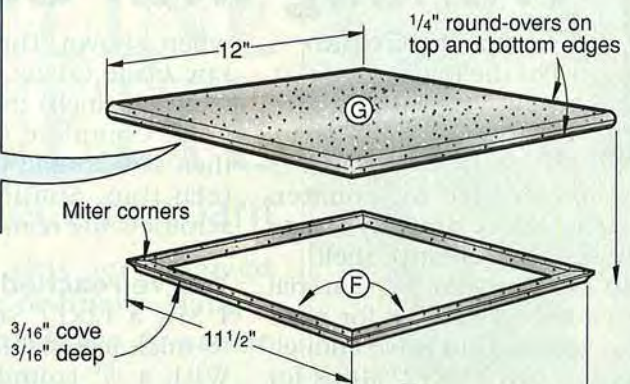
Bill of Materials

Part	Finished Size			Matl.	Qty.
	T	W	L		
PLANT STAND					
A leg	1 1/2"	1 1/2"	27"	W	4
B aprons	3/4"	1 3/4"	7 1/2"	W	4
C stretchers	3/4"	1 3/4"	7 1/2"	W	4
D shelf	1/4"	7 1/2"	7 1/2"	C	1
E brackets	1/4"	3 1/8"	3 3/8"	C	8
F trim	1/4"	1/2"	11 1/2"	C	4
G top	1/2"	12"	12"	C	1

Materials Key: W—walnut; C—Corian

Buying Guide DuPont Corian. 1/2x12x15" sheet, about \$33; 1/4x12x15" sheet, about \$20. We used one of each; the color shown is Sierra Dusk. There are 10 colors available in 1/2"; 6 in 1/4". Leichtung Workshops, 4944 Commerce Parkway, Cleveland, OH 44128. Call 800/321-6840.

For sizes or colors other than those available above, call Art Specialties International, 800/724-4008. For more information about Corian, call DuPont at 800/426-7426.





PLANT STAND

Working with Corian

Cut up the Corian

1 For the lower shelf (D), cut a 7½×7½" square from the ¼"-thick Corian. Although ¼" Corian is

not recommended for countertops or tables, it is plenty strong for this small, decorative shelf.

2 Also cut from the ¼" material four 3⅞×4⅞" rectangles for parts E. Plan your cuts to leave enough to cut out two 1⅞×12" strips for the top trim (F) later.

On your tablesaw or radial-arm saw, install an alternate top bevel (ATB), carbide-tipped blade with about six teeth per inch of diameter. Raise a tablesaw blade about 1" above the top of the material to prevent chipping.

When machining Corian, expect an odd smell and plenty of fine dust. Though the dust is non-toxic, we recommend using a dust collector and wearing a dust mask.

Scrollsaw the fancy brackets

1 Make eight photocopies of the full-sized Bracket pattern (E) in the *WOOD PATTERNS™* insert. Arrange two copies on each 3⅞×4⅞" rectangle, then affix them with spray adhesive or rubber cement for scrollsawing.

Corian's lack of grain makes it ideal for fine scrollsaw work. Use blades with 10-14 teeth per inch, and feed the workpiece slowly. When you drill blade start holes, support the back side of the piece with scrapwood to avoid chipping.

Scrollsawn edges look chalky, but sanding cleans them up. For intricate patterns, however, we recommend that you go with a light-colored Corian to make the chalkiness less visible and to minimize sanding.

2 Drill the two decorative holes where shown in each bracket, then drill the blade start hole

where shown. Thread a #5 scroll-saw blade (.039×.016" with 12½ teeth per inch) through the start hole. Complete the inside cut, then saw around the outside pattern line. Similarly, drill and scrollsaw the remaining brackets.

You've reached the top

1 Saw a 12×12" square from the ½"-thick material for the top (G). With a ¼" round-over bit and table-mounted router, shape all four edges on both sides to create a rounded edge.

2 Now, cut two 1⅞×12" strips from the remaining ¼" Corian. On each edge, rout a ⅜" cove ⅜" deep. Use the ⅜" round-nose bit and your table-mounted router. Rip each routed strip in half to make the four trim pieces (F) for the top.

3 Miter-cut the four pieces to fit around the top of the wooden stand assembly. It doesn't need to be a snug fit. Then, glue the trim pieces to the bottom surface of the top (G), centering them.

With the right router and bit, you can form a highly polished edge on Corian that requires no further finish work. Achieving that kind of results calls for a router with at least 2 hp. Opt for carbide-tipped bits with ½" shanks to reduce vibration. Make two light passes to minimize chatter marks. Make sure your router baseplate or router table is clean and free of burrs or rough edges that might scratch the Corian.



Carbide-tipped router bits cut Corian cleanly. Routed edges usually require no further finishing.

Corian can be joined to itself or other materials with a wide variety of adhesives. For the built-up edge on our plant stand, we recommend gap-filling cyanoacrylate adhesive or five-minute epoxy. Silicone adhesive works great for joining Corian parts to wood.

4 Cut the four cleats shown in the Cleat detail from ½"-thick material. Drill where shown. Set the top on the wooden leg assembly, and mark the locations for the cleats on the underside of the top. Glue the cleats into position.

Put it all together

1 Lay the top on your workbench, the cleats and routed trim facing up. (Pad your benchtop with a blanket or old towels to prevent scratching the Corian.) Place the leg assembly upside down on the top, then screw the top to the aprons through the holes in the cleats, as shown in the Screw detail.

2 Glue the decorative brackets (E) into the grooves in the legs (A) and aprons (B). (We used clear silicone adhesive and sealer.) Stand the assembly up. Then, using the silicone, glue the lower shelf (D) into place in the rabbet-recess on the stretchers. ♣

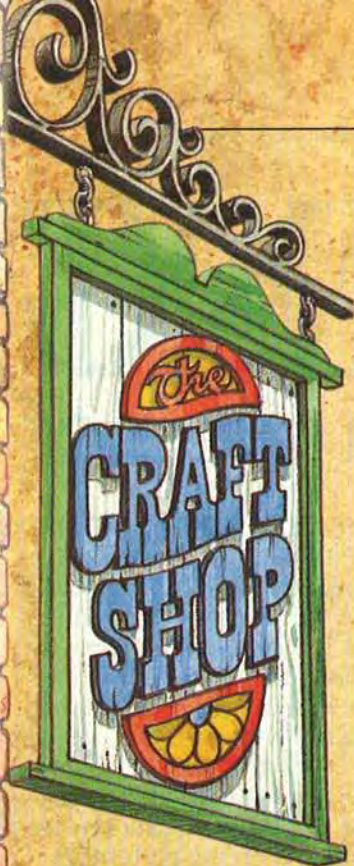
To finish Corian, just sand it and buff it for a matte, semi-gloss, or high-gloss surface. For a matte finish, start with 220-grit sandpaper. Wipe the sanding dust off, then buff the surface with a green Scotch-Brite pad until you achieve the sheen you want. For a semi-gloss finish, sand with 220-grit paper, followed by 400-grit paper. Buff with a gray or white Scotch-Brite pad. For a high-gloss finish, sand with 220-, 400-, and 600-grit papers. Then finish with white automotive polishing compound, buffed with a low-speed polisher equipped with a wool pad.

Photographs: John Hetherington
Illustrations: Kim Downing; Roxanne Lemoine
Written by: Tom Jackson; Larry Johnston

SHORELINE SILHOUETTE

A picture-perfect pendant

Simple carving lifts this scrollsawed pendant far above the ordinary. Hang it from a plain chain necklace to create an artistic fashion accent.



Note: You'll need $\frac{1}{4}$ "-thick stock (we used walnut) to make the shoreline pendant. If your dealer doesn't sell thin stock, plane or resaw thicker material.

Photocopy the full-sized pattern, below right. Center the copy on an oversized piece of stock ($\frac{1}{4} \times 2 \times 4$ " is a good size), and adhere it with rubber cement or

spray adhesive. The larger piece of stock gives you more to hang onto for better control while scrollsawing the design.

Drill $\frac{1}{16}$ " blade start holes where shown. Thread your scrollsaw blade through one of them, and cut along the pattern line. (We used a #4 blade, .033 \times .014" with 15 teeth per inch.) Similarly, cut out the other two areas inside the frame. Saw around the outside pattern line to complete the roughing-out.

Now, sculpt the wading bird and the cattails by rounding over the edges on the front side of the pendant. The shaded areas on the head and body remain at the original surface height. Carve the rounded edges with a shallow gouge (a palm-handled no. 3 or no. 5 about $\frac{1}{4}$ " wide works fine), a rotary carving tool and tapered stone, or a knife.

Taper the legs to about $\frac{1}{8}$ " below

the original surface at the feet. Cut the cattails to about $\frac{1}{16}$ " below the surface. Open up the red-shaded areas between the cattails and the legs with the tip of a knife or a small straight rotary bit. Be careful of the changing grain direction; always carve with or across the grain.

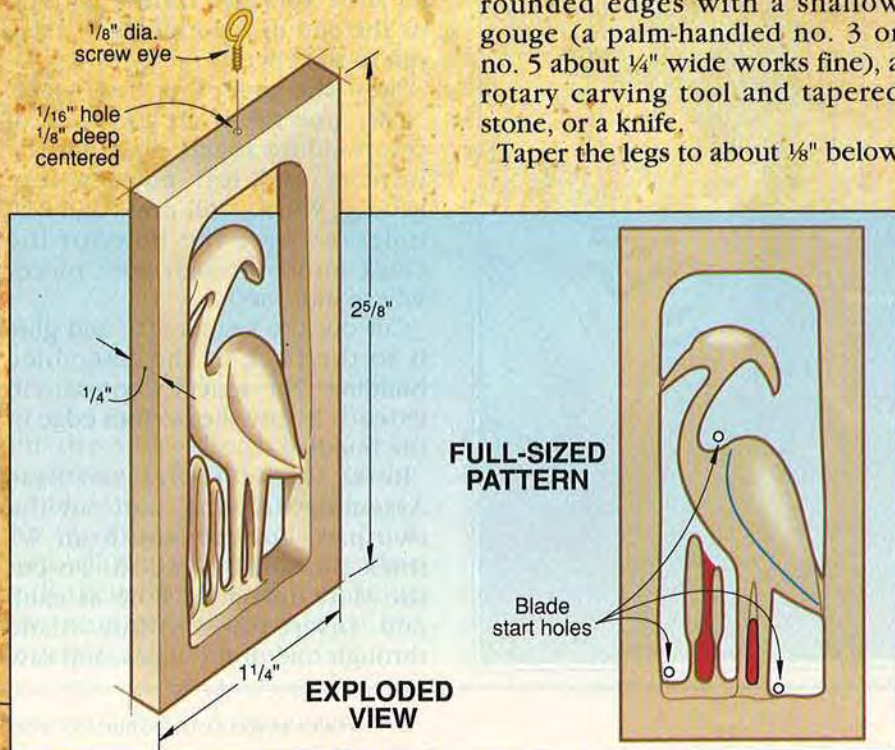
Carve the wing line (shown in blue on the pattern) with your knife or a pointed rotary stone. To carve it with a knife, first make an incision along the pattern line. (This cut, which allows you to carve up to a pattern line without chipping out the wood beyond it, is called a *stop cut*). Then, pare down the body slightly, cutting toward the stop-cut line with the knife held at a low angle. You only need to go deep enough to make a recognizable wing line.

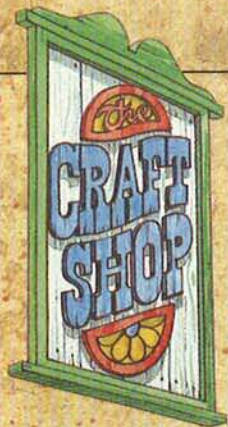
Round over the inside and outside edges. Sand the carved areas with 150-grit paper to smooth the contours, then sand the back flat. Finish-sand with 220- and 320-grit.

Drill a $\frac{1}{16}$ " hole centered on the top of the pendant. Snip or grind the shank of a #217 $\frac{1}{2}$ brass screw eye to $\frac{1}{8}$ " long, then epoxy it into the hole. Orient the screw eye straight across the top.

Apply a clear finish to the pendant. Polish the screw eye with #0000 steel wool, and slip a 24" necklace chain through it. (You can buy a suitable chain necklace at a department store's costume-jewelry counter.)

Project Design: © Bob Munroe
Photograph: John Hetherington
Illustrations: Kim Downing

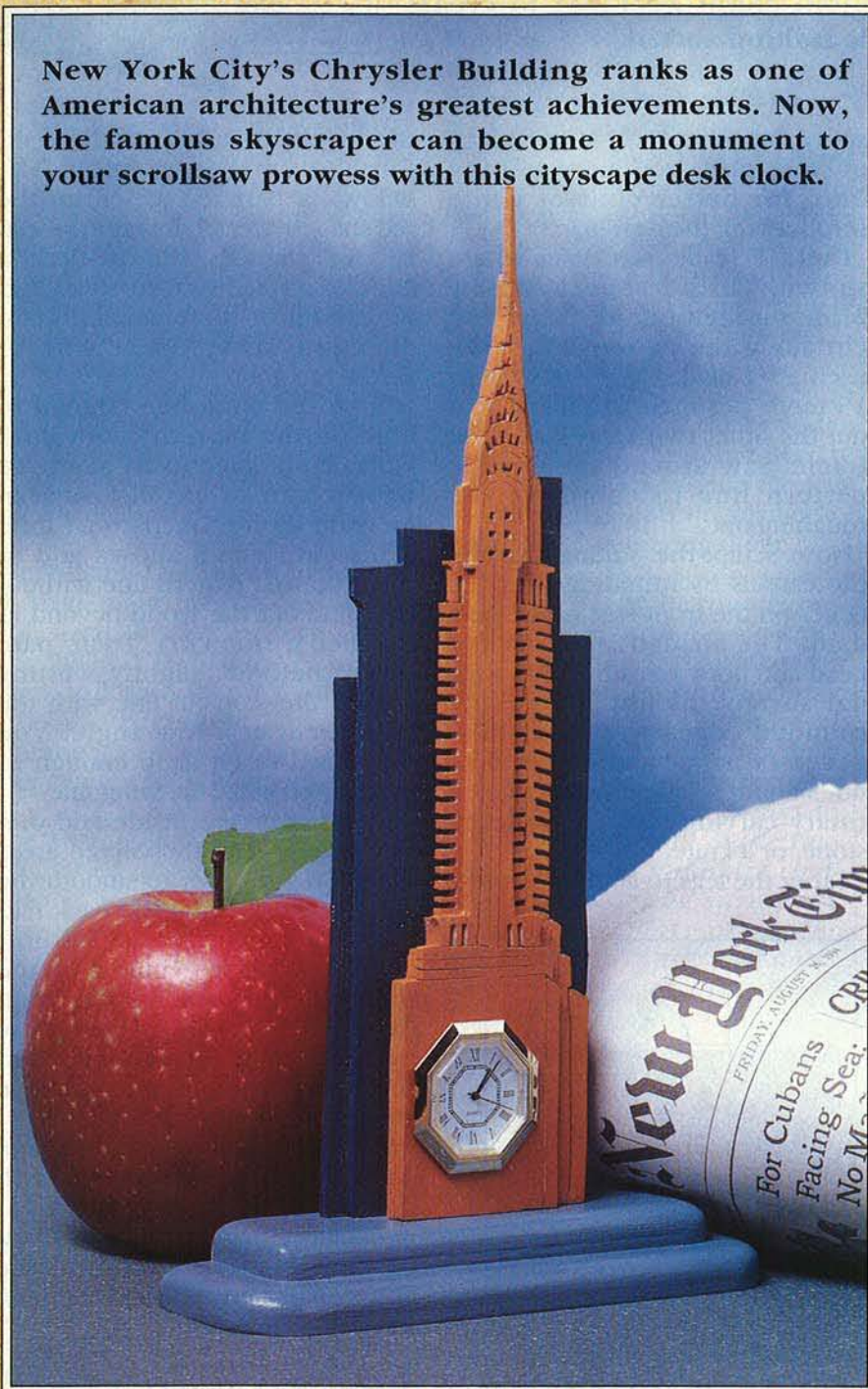




TOWERING

Scrollsaw yourself a slice of

New York City's Chrysler Building ranks as one of American architecture's greatest achievements. Now, the famous skyscraper can become a monument to your scrollsaw prowess with this cityscape desk clock.



Transfer the patterns in the *WOOD PATTERNS™* in the center of the magazine to $\frac{1}{8}$ "-thick stock. (We used Baltic birch plywood.)

Cut out the two skyline parts (A and B). Glue them together with a few spots of cyanoacrylate adhesive or woodworker's glue, keeping the bottoms flush. The narrower piece will be about centered on the other, as shown by the dotted line on the pattern.

Next, scrollsaw the Chrysler building's two parts (D and E). A #2 blade (.028×.013" with 22 teeth per inch) works best for the fine detail lines and small interior cuts. You don't need to drill any blade start holes—you can begin all cuts from the outside.

Begin sawing along the outside pattern line, making each inside cut or detail line as you come to it. Many inside lines are stopped, so keep your eye on the pattern. At the end of a stopped line, back out to the edge.

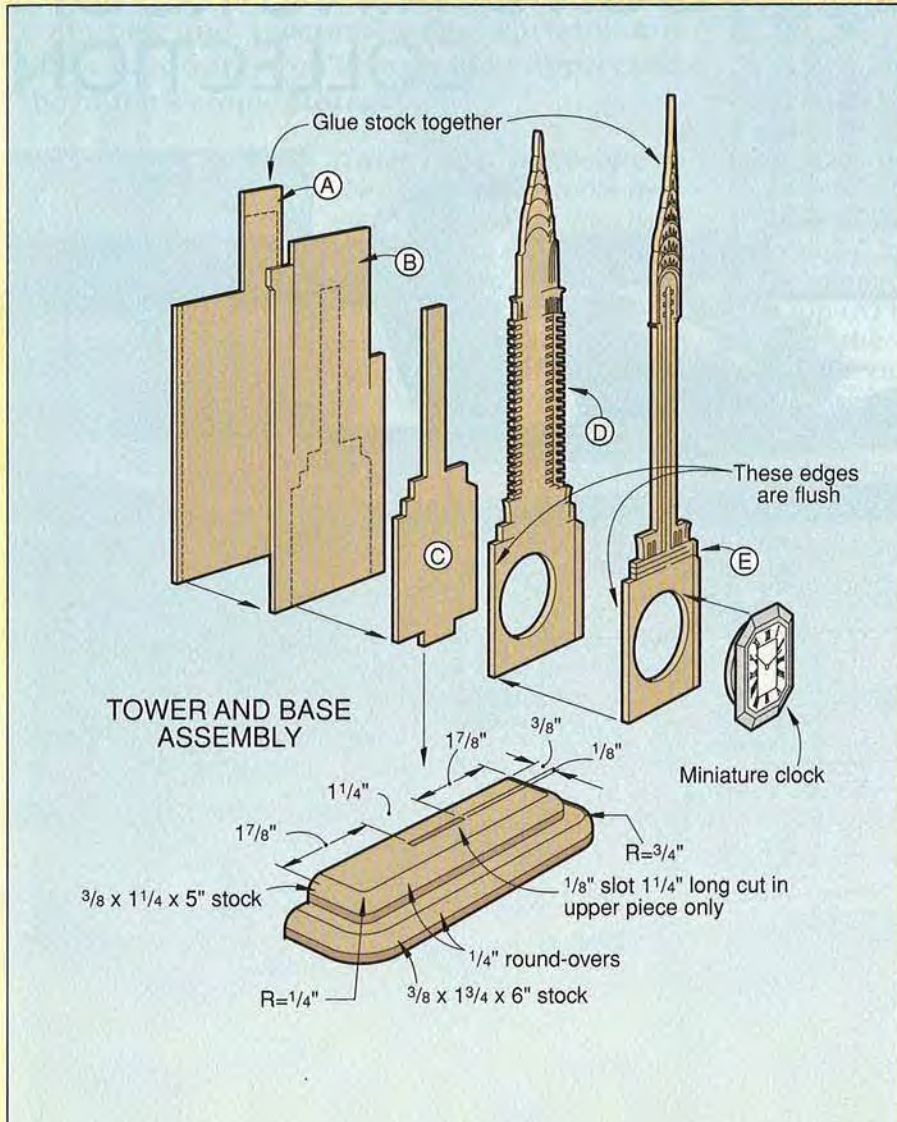
Sand the pieces as necessary. Now, glue the front and back of the building together. Align the bottom and left edge where shown. With a drill press and $1\frac{3}{8}$ " holesaw, bore the hole for the clock insert through both pieces where indicated.

Cut out the spacer (C), and glue it to the back of the assembled building. The spacer's bottom tab extends below the bottom edge of the building.

Refer to the Tower and Base Assembly drawing, and cut the two parts for the base from $\frac{3}{8}$ "-thick pine or basswood. To cut the slot, drill a $\frac{1}{8}$ " hole at each end. Insert the scrollsaw blade through one of the holes, and saw

TIMEPIECE

the Big Apple



out the slot. Then chuck a $\frac{1}{4}$ " round-over bit in your table-mounted router, and round over the top front and ends of both parts. Glue the base parts together with their backs flush, centering the top piece side-to-side on the bottom part.

Color your skyscraper

Paint the building, skyline, and base with acrylic artist's colors. When you paint the skyline, leave unpainted areas for gluing on the building. Paint both sides of the skyline and the building, but not the back of the spacer.

We mixed the colors shown using five standard acrylics—Mars black, titanium white, phthalocyanine blue, brilliant yellow, and burnt sienna. (You can buy the paints at an art-supply store.) Here are the recipes:

- **Building:** one part burnt sienna and three parts brilliant yellow.
- **Skyline:** equal parts Mars black, titanium white, and phthalocyanine blue.
- **Base:** four parts titanium white and one part Mars black, then add a tiny amount of phthalocyanine blue to make concrete gray.

After painting the parts, coat the building with a clear gloss finish compatible with the acrylic paints. (We used Delta's Home Decor gloss acrylic varnish, available from craft-supply dealers.) Apply a satin finish to the base and skyline.

Glue the building to the skyline, approximately centering it on the background. Let the spacer tab extend below the edge of the skyline. Then, insert the tab into the slot on the base. To center the building and skyline on the base, trim the edge of the tab if necessary. When properly positioned, glue the assembled cutouts in place. Install the clock insert.

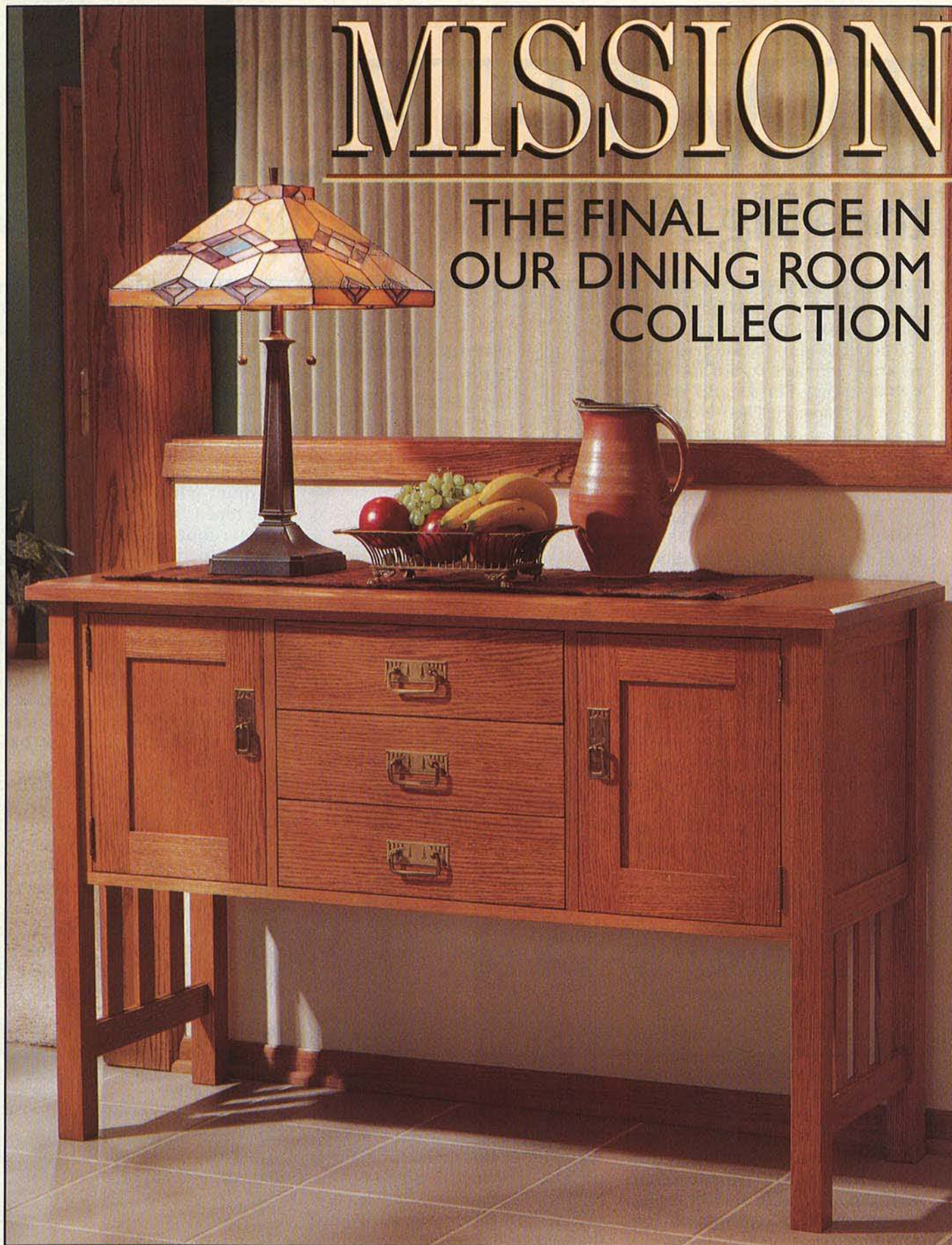
Buying Guide

Clock insert. Octagonal insert with quartz movement, item no. 200114, \$10.50 each plus \$3.15 per order postage in U.S., Schlabaugh and Sons, 720 14th St., Kalona, IA 52247, or call 800/346-9663 to order. ♣

Project Design: Nancy Burgan
Photograph: King Au
Illustrations: Kim Downing

MISSION

THE FINAL PIECE IN
OUR DINING ROOM
COLLECTION



ADDITION

Either as a stand-alone project or as a complement to our table and chairs featured in issues 59 and 60, you'll find the buffet a worthy addition to your home's decor. Made from oak and accented with reproduction brass hardware, you'll especially appreciate the buffet's ample storage.



Note: For a photocopy of the mission-style table article (issue 59) or the chair article (issue 60), send a self-addressed stamped #10 envelope and \$2 to WOOD® Magazine's Mission Dining Set, 1912 Grand Avenue, Des Moines, IA 50309-3379.

Let's begin with the carcass assembly

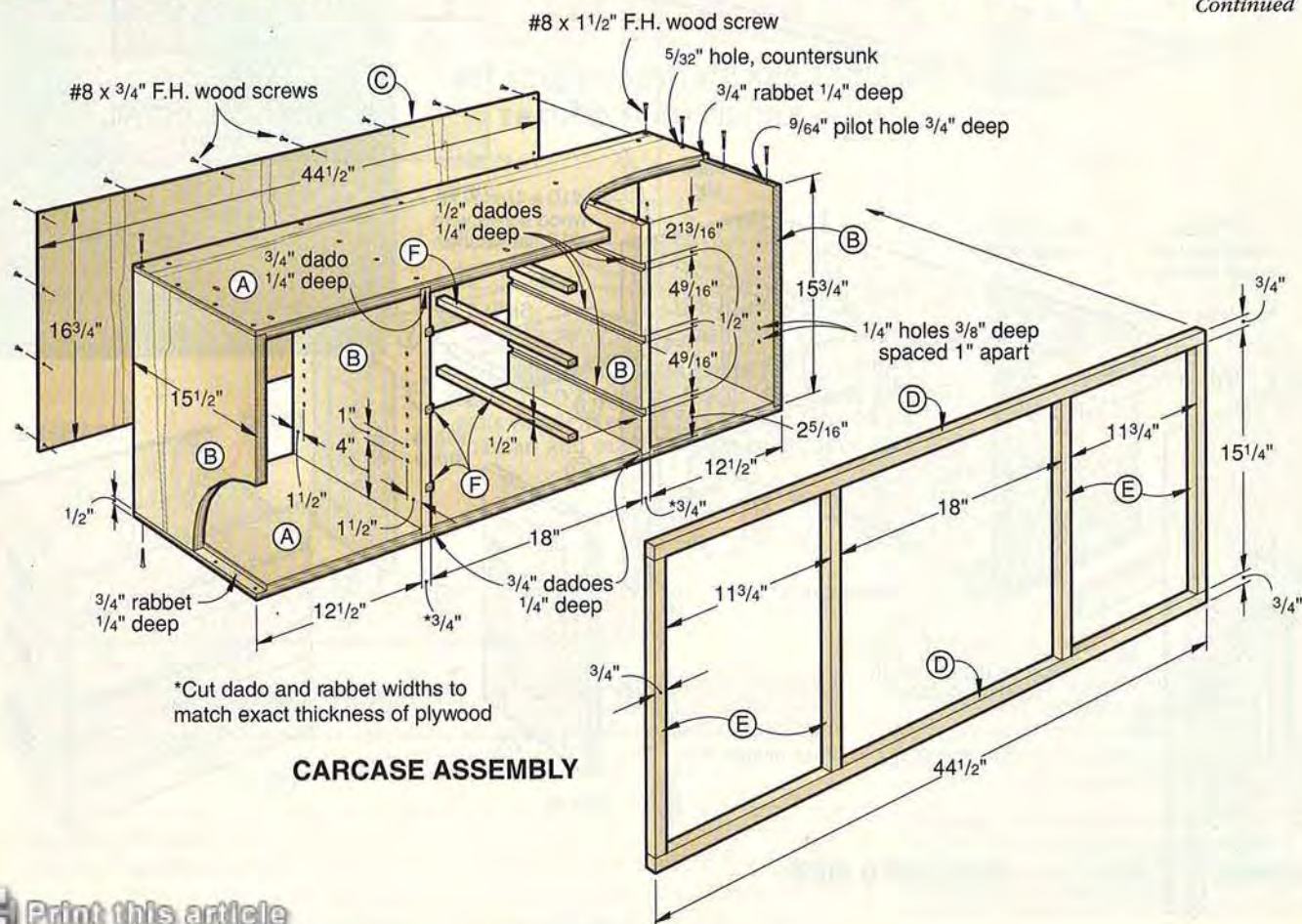
1 Cut the carcass top and bottom (A) and sides and dividers (B) to the sizes listed in the Bill of Materials from $\frac{3}{4}$ " oak plywood.

2 Mark the locations of the dados and rabbets on the pieces (A, B) where dimensioned on the Carcase Assembly drawing. Cut or rout the rabbets and dados where marked.

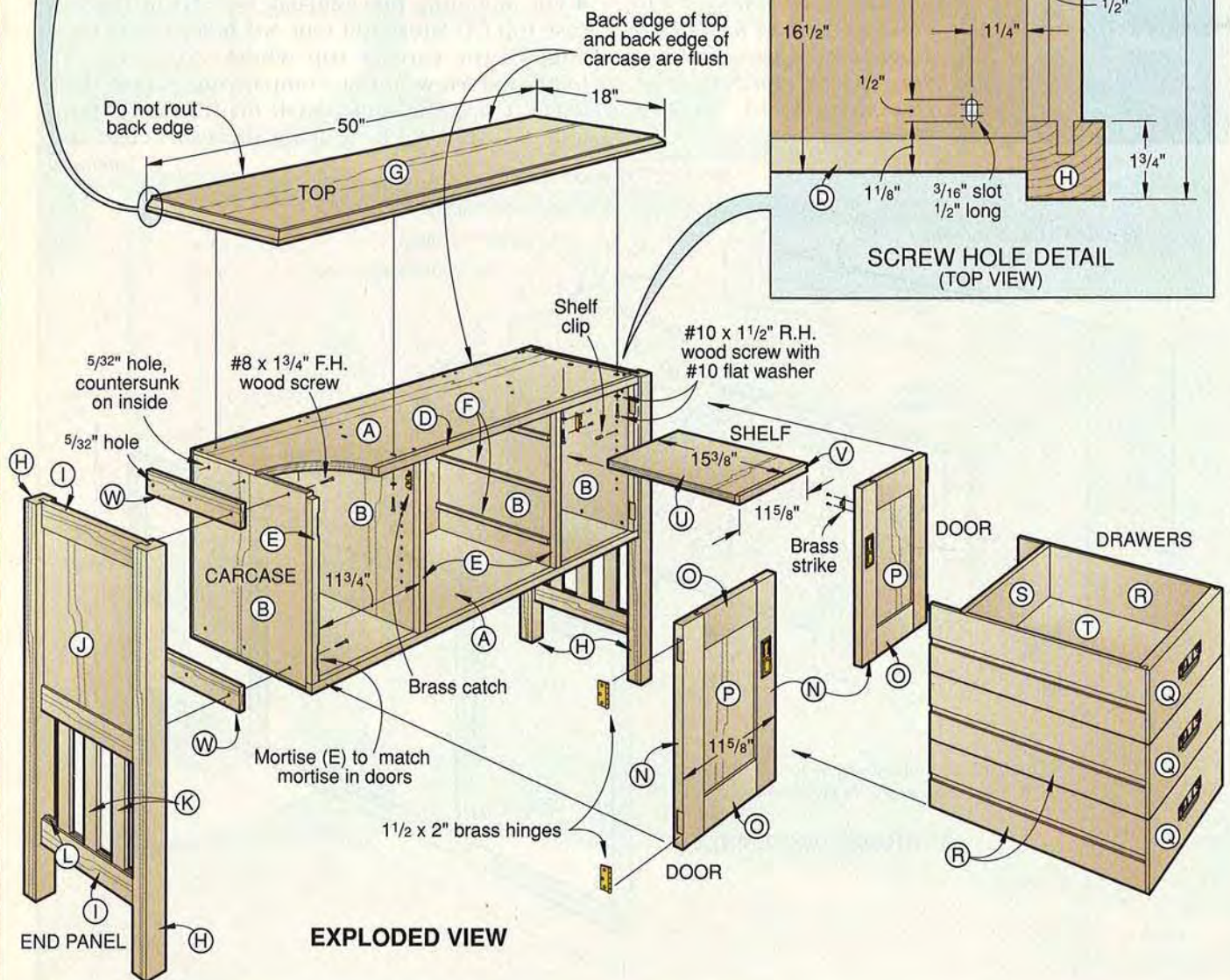
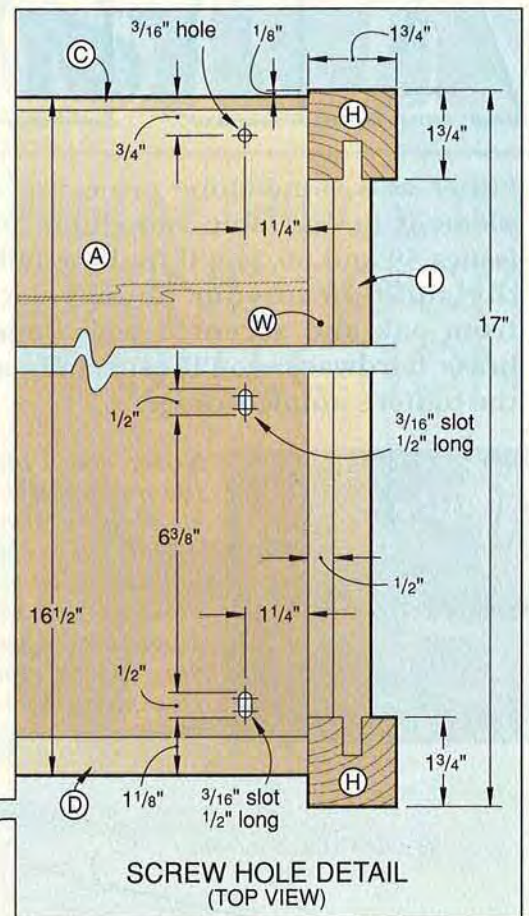
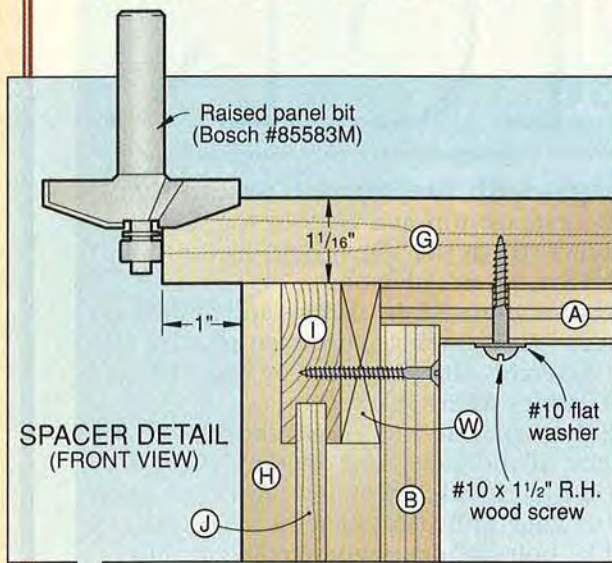
3 Carefully mark the hole centerpoints on the inside face of the sides and dividers (B) where shown on the Carcase Assembly drawing. Clamp a fence to your drill press, set the depth gauge, and drill $\frac{1}{4}$ " holes $\frac{3}{8}$ " deep where marked.

4 For mounting the solid-oak top (G) to the carcass top (A) later, drill four $\frac{3}{16}$ " holes in the back edge of the carcass top where shown on the Exploded View and accompanying Screw Hole detail. Using the same detail for reference, form four $\frac{3}{16}$ " slots $\frac{1}{2}$ " long along the front edge and

Continued

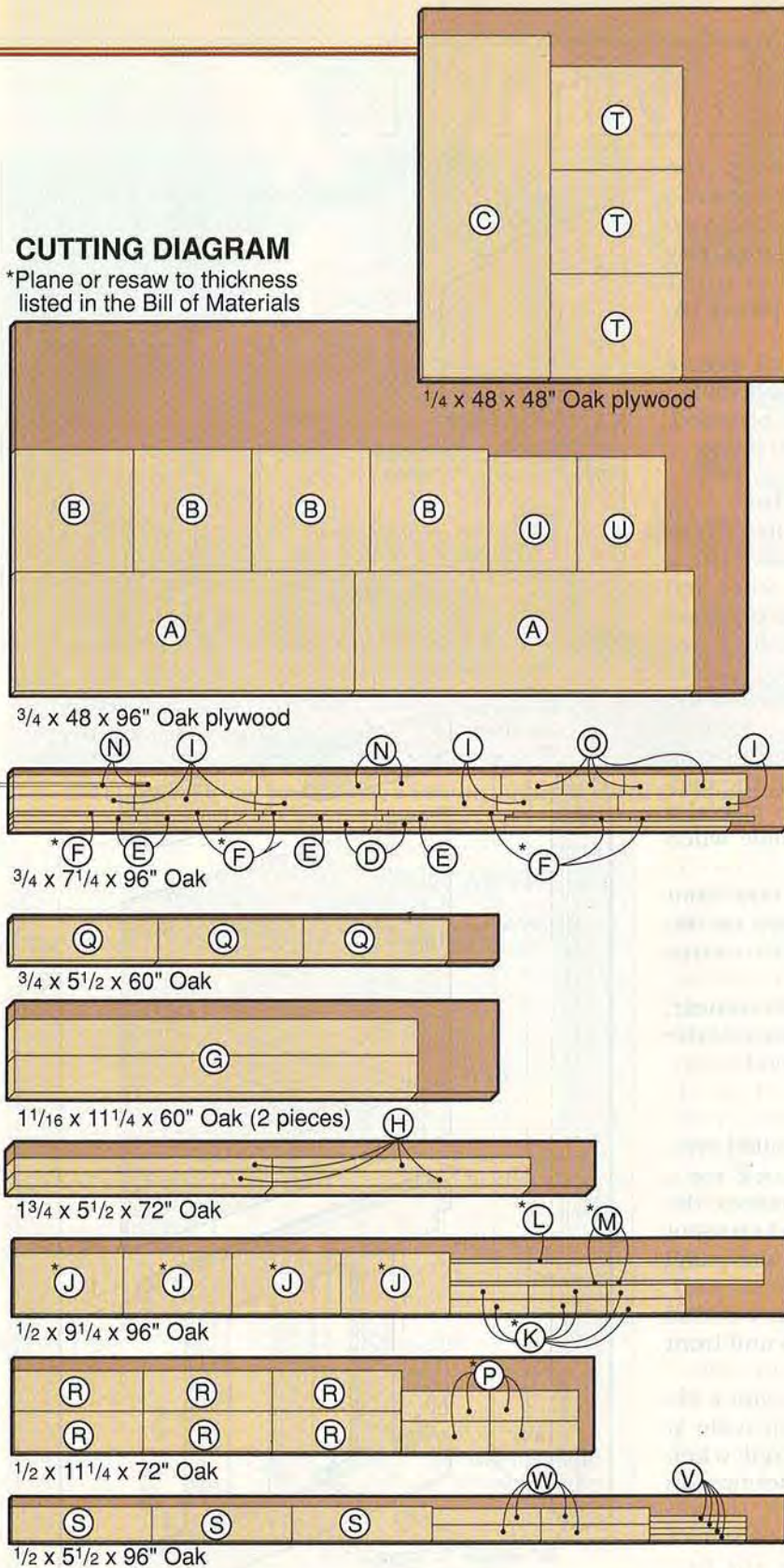


MISSION ADDITION



CUTTING DIAGRAM

*Plane or resaw to thickness listed in the Bill of Materials



Buying Guide

Buffet hardware kit. Two pair of 1 1/2 x 2" brass hinges (180D), two 3-way brass catches (193M), three drawer pulls (151A), two door pulls (151D). Kit no.

151/WMP. \$79 ppd., CA residents add 6.5% sales tax. Crown City Hardware Company Inc., 1047 N. Allen Avenue, Pasadena, CA 91104 or call 818/794-1188.

Bill of Materials

Part	Finished Size			Matl.	Qty.
	T	W	L		
CARCASE					
A top and bottom	3/4"	15 1/2"	44 1/2"	OP	2
B sides and dividers	3/4"	15 1/2"	15 3/4"	OP	4
C back	1/4"	44 1/2"	16 3/4"	OP	1
FACE FRAME AND GUIDES					
D rails	3/4"	3/4"	44 1/2"	O	2
E stiles	3/4"	3/4"	15 1/4"	O	4
F guides	1/2"	7/16"	15 1/2"	O	6
TOP					
G* top	1 1/16"	18"	50"	EO	1
END-PANEL ASSEMBLIES					
H legs	1 3/4"	1 3/4"	32"	O	4
I rails	3/4"	2"	15"	O	6
J* panels	3/8"	14 7/8"	13 5/8"	EO	2
K slats	3/8"	1 3/4"	9 3/4"	O	6
L* spacers	3/8"	5/8"	1 3/4"	O	8
M* spacers	3/8"	5/8"	2 3/8"	O	8
DOORS					
N stiles	3/4"	2 1/2"	15 5/8"	O	4
O rails	3/4"	2 1/2"	7 5/8"	O	4
P* panels	1/4"	7 1/2"	11"	EO	2
DRAWERS					
Q fronts	3/4"	5"	17 7/8"	O	3
R sides	1/2"	5"	16"	O	6
S backs	1/2"	4 1/4"	17 7/8"	O	3
T bottoms	1/4"	13 1/2"	17 7/8"	OP	3
SHELVES AND SPACERS					
U shelves	3/4"	14 7/8"	11 5/8"	OP	2
V banding	1/2"	3/4"	11 5/8"	O	2
W spacers	1/2"	2"	13 1/2"	O	4

*Initially cut parts marked with an * oversized. Trim to finished size according to the instructions. Length is measured with the grain.

Materials Key: OP-oak plywood, O-oak, EO-edge-joined oak

Supplies: 4d finish nails; 16x3/4" nails, #8x3/4", #8x1 1/2", #8x1 3/4" flathead wood screws; shelf clips; #10x1 1/2" roundhead wood screws and #10 flat washers; stain, clear finish.

MISSION ADDITION

one centered at each end of the carcass top. The slots allow the screws used to secure the top (G) to the carcass top (A) to move as the top expands and contracts with seasonal humidity changes.

5 Glue, screw, and clamp the carcass pieces (A, B) together, checking for square.

6 Cut the back (C) to the same overall dimensions as the length and height of the assembled carcass and cut it to size from $\frac{1}{4}$ " oak plywood. Set the back aside for now; you'll attach it later.

Add face frame and drawer guides

1 Cut the face frame rails (D) and stiles (E) to size. Since $\frac{3}{4}$ " plywood can vary in thickness slightly, be sure to cut or plane the stiles and rails to the same exact thickness as the plywood used for the carcass. For an authentic look, we recommend quarter-sawn oak.

2 Cut the drawer guides (F) to fit snugly into the dados and protrude $\frac{3}{16}$ ".

3 Glue and clamp the guides in place, being careful not to let the guides bow out at the middle. (For even clamping pressure, we placed a piece of $\frac{3}{4} \times 2 \times 15\frac{1}{2}$ " stock over each guide when gluing it in place.)

4 Glue and clamp the rails and stiles to the front of the carcass. (We placed masking tape on the adjoining oak-plywood surfaces for easier removal of the glue squeeze-out.)

5 Being careful not to sand through the veneer, use a sanding block to sand the surfaces of the stiles and rails flush with the oak plywood.

Let's add the solid-oak top

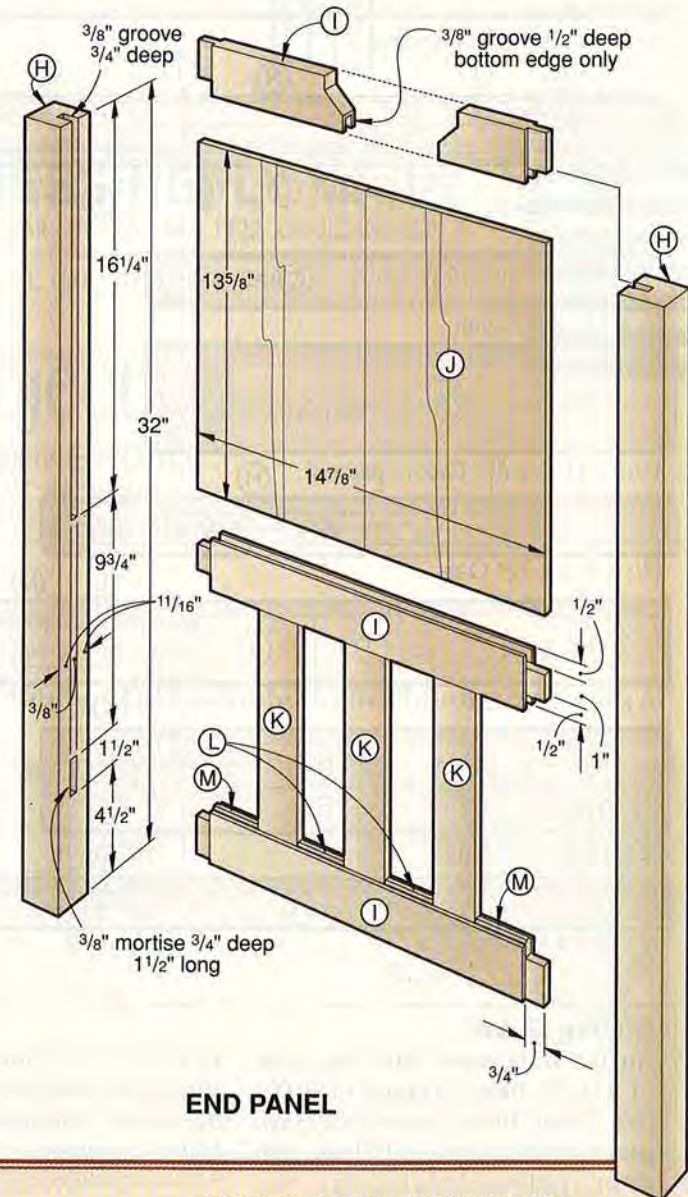
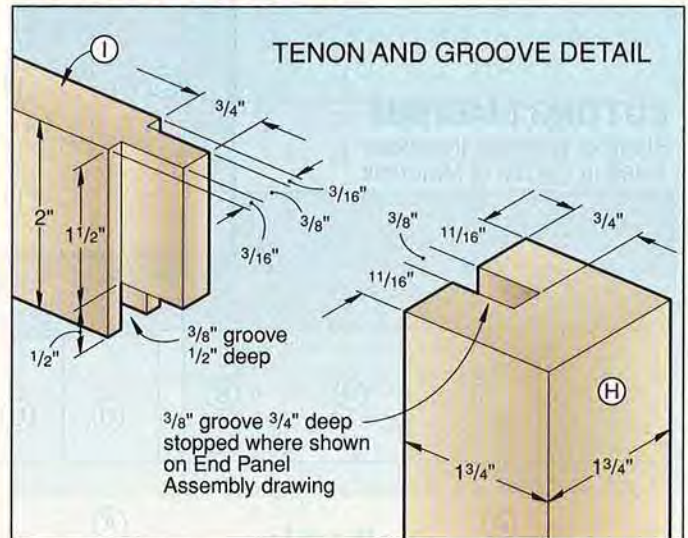
1 From $1\frac{1}{16}$ "-thick oak (commonly called five-quarter stock), edge-join enough stock for a panel 19×52 " for the top (G). Later, remove the clamps, scrape off the excess glue, and crosscut both ends for a 50"-long panel (leave the panel wide for now.)

2 Fit your router with a raised-panel bit (we used a Bosch 85583M). Rout along the ends and front (not the back) edges of the top (G).

3 Now, rip the back edge of the top (G) for a finished width of 18". By leaving the top wide at first, you'll remove any tear-out caused when routing the back corners of the ends. Set the top aside for now; you'll add it later.

The end panels give it that mission look

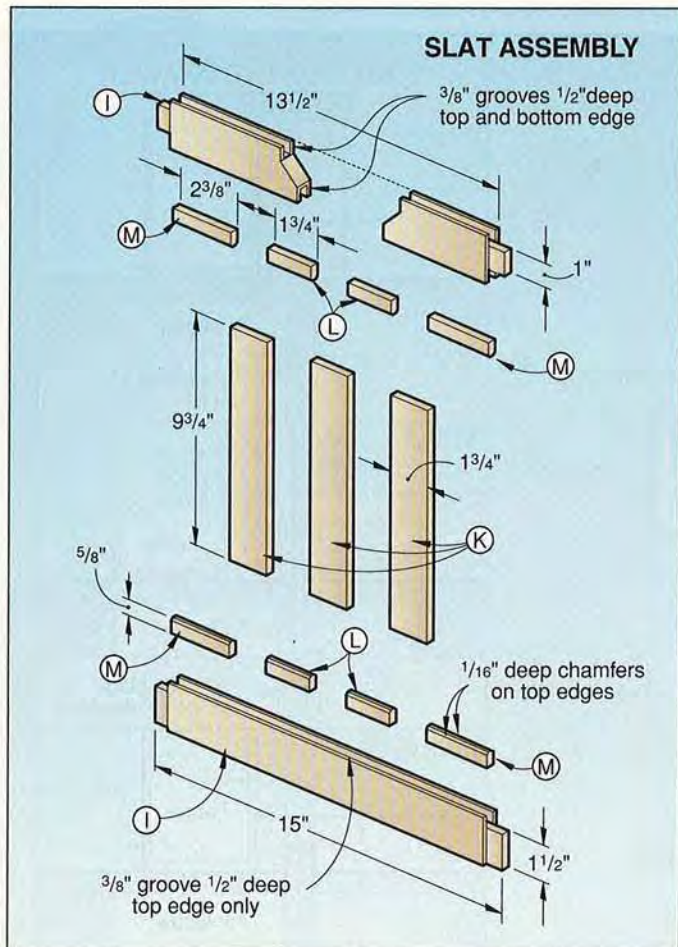
1 Cut the four legs (H) to size. Carefully mark the locations of the groove and mortise on one surface of each leg where dimensioned on the End Panel drawing.





Glue and clamp each end panel, using a framing square to check for square and flatness.

SLAT ASSEMBLY



2 Cut or rout the grooves and mortises. (We used our tablesaw fitted with a dado blade to cut most of each groove. Then, we used our drill press fitted with a fence and mortising attachment to finish forming each groove and to form the mortises. You can also use your drill press to drill out most of the waste stock and remove the remaining stock with a sharp chisel.)

3 Cut the six rails (I) to size. Cut a $\frac{3}{8}$ " groove $\frac{1}{2}$ " deep centered along one top edge of the top and bottom rails and along both edges of the middle rails. See the Slat Assembly detail for reference.

4 From $\frac{3}{8}$ " stock (we planed thicker stock), edge-join enough stock for the two end panels (J). Form the panels slightly oversized and trim them to size later. Sand smooth.

5 Cut a pair of $\frac{3}{4}$ " rabbets $\frac{3}{16}$ " deep across both ends of each rail (I) to form a $\frac{3}{8}$ " tenon $\frac{3}{4}$ " long where shown on the Tenon and Groove detail.

6 Cut the end panel slats (K) to size.

7 Cut a piece of stock to $\frac{3}{8} \times 2 \times 20$ " for spacers (L, M). Cut or rout a pair of $\frac{1}{16}$ " chamfers along both edges of the 20"-long strip. See the chamfers on the Slat Assembly detail. Rip a $\frac{5}{8}$ "-wide strip from both edges of the 20"-long strip, and then, cross-cut the spacers (L, M) to length from the $\frac{3}{8} \times \frac{5}{8} \times 20$ " strips.

8 Dry-clamp each end panel assembly (H-M) to check the fit of all the parts. Adjust if necessary. Glue and clamp each end panel, checking for square as shown in the photo above. (Allow the

Continued

MISSION ADDITION

end panels to float in the grooves. An inch or two of glue along the top center and bottom center of each panel is all that's needed to keep the panels from rattling in the grooves.)

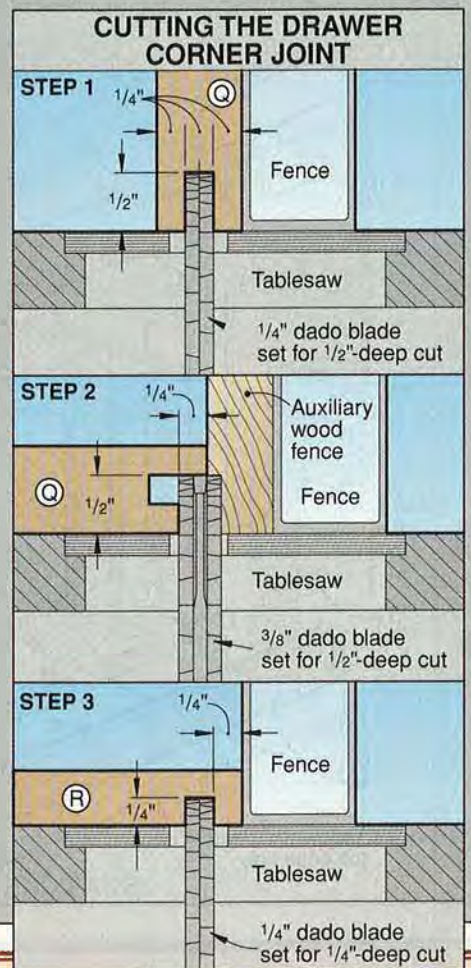
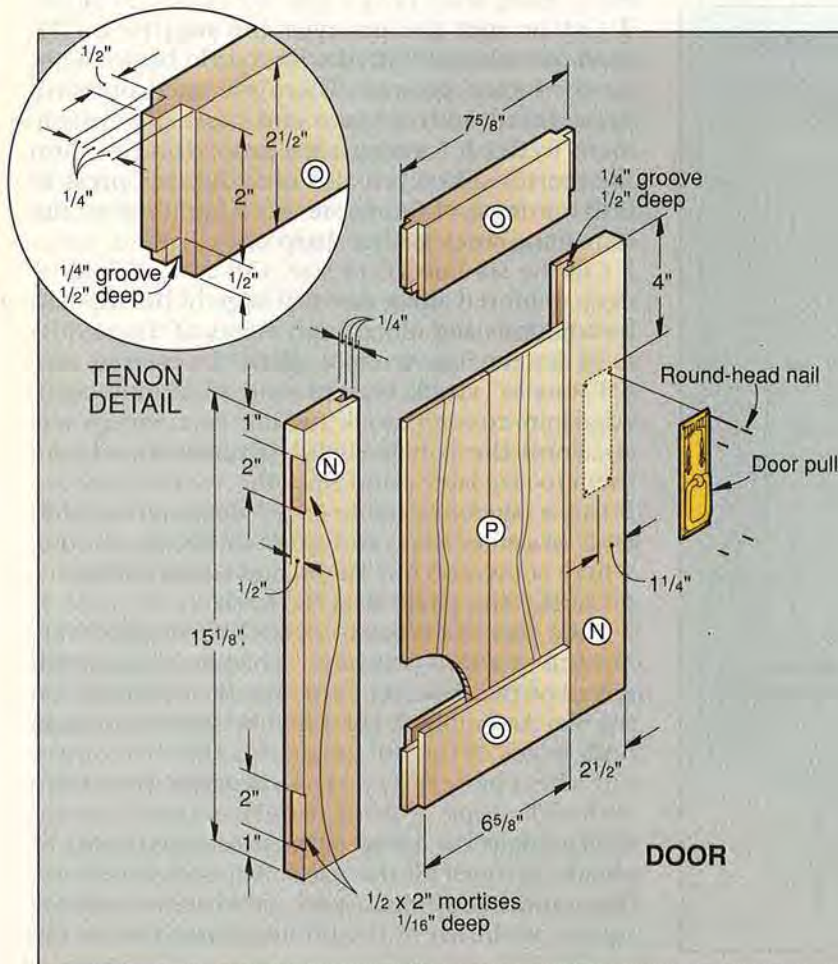
Construct the two frame-and-panel doors

- 1 Cut the door frame stiles (N) and rails (O) to size from $\frac{3}{4}$ "-thick stock.
- 2 Cut or rout a $\frac{1}{4}$ " groove $\frac{1}{2}$ " deep along one edge of each piece where shown on the Door drawing and accompanying detail.
- 3 Cut rabbets across the ends of the rails (O) to form $\frac{1}{4}$ " tenons $\frac{1}{2}$ " long where shown on the Tenon detail accompanying the Door drawing.
- 4 Edge-join $\frac{1}{4}$ "-thick stock to form the door panels (P). Trim the panels to finished size.
- 5 Finish-sand and then stain both panels (we used WOOD-KOTE gelled Danish Walnut stain).
- 6 Dry-clamp each door to check the fit. Then, glue and clamp each door, checking for square.
- 7 Mark one door R (for right) and the other L. Lay out and mark the hinge location lines and chisel the mortises in the door stiles (N) and the carcass stiles

(E). Drill the pilot holes and attach the hinges to check the fit of the doors in the openings. Adjust if necessary and remove the hinges.

Time for the three drawers

- 1 Cut the drawer fronts (Q) to size from $\frac{3}{4}$ "-thick stock. Then, from $\frac{1}{2}$ " stock, rip and crosscut the drawer sides (R), and backs (S) to the sizes listed in the Bill of Materials.
- 2 Follow steps 1 and 2 on the three-step drawing below to machine the ends of the drawer fronts. Then, follow Step 3 on the drawing to machine the mating end on the drawer sides.
- 3 Cut the remaining dados and grooves in the drawer fronts and sides where dimensioned on the Drawer drawing.
- 4 From $\frac{1}{4}$ " oak plywood, cut the drawer bottoms (T) to size.
- 5 Temporarily attach the carcass back (C) to the carcass. Then, fit each drawer together (no glue) to check the fit on the glides (F) and against the back of the cabinet. Note that the cabinet back (C) provides the stop for the drawers. Adjust if necessary, and glue and clamp each drawer, checking for



square. Note that the back edge of the drawer bottoms are nailed to the bottom edge of the drawer backs (S).

Build the shelves and assemble the components

1 Cut the shelves (U) and front banding strips (V) to size. Make sure to cut the banding strips to the same thickness as the shelves.

2 Glue and clamp the banding strips to the front of the shelves with the ends and surfaces flush.

3 Cut the spacers (W) to size and glue them to the inside face of the rails (I). See the Exploded View and accompanying Screw-Hole detail for reference.

4 Finish-sand, stain, and apply finish to the carcass, end-panel assemblies, doors, drawers, and shelves. (We used Minwax fast-drying polyurethane.) Even though they're not exposed, seal the inside face of the panels (J) and the bottom side of the top (G). Sealing both sides of these panels, will help prevent warping later.

5 Set the carcass upside down on your workbench. Clamp the end-panels to the ends of the carcass so the back edge of the back legs (H) protrude $\frac{1}{8}$ "

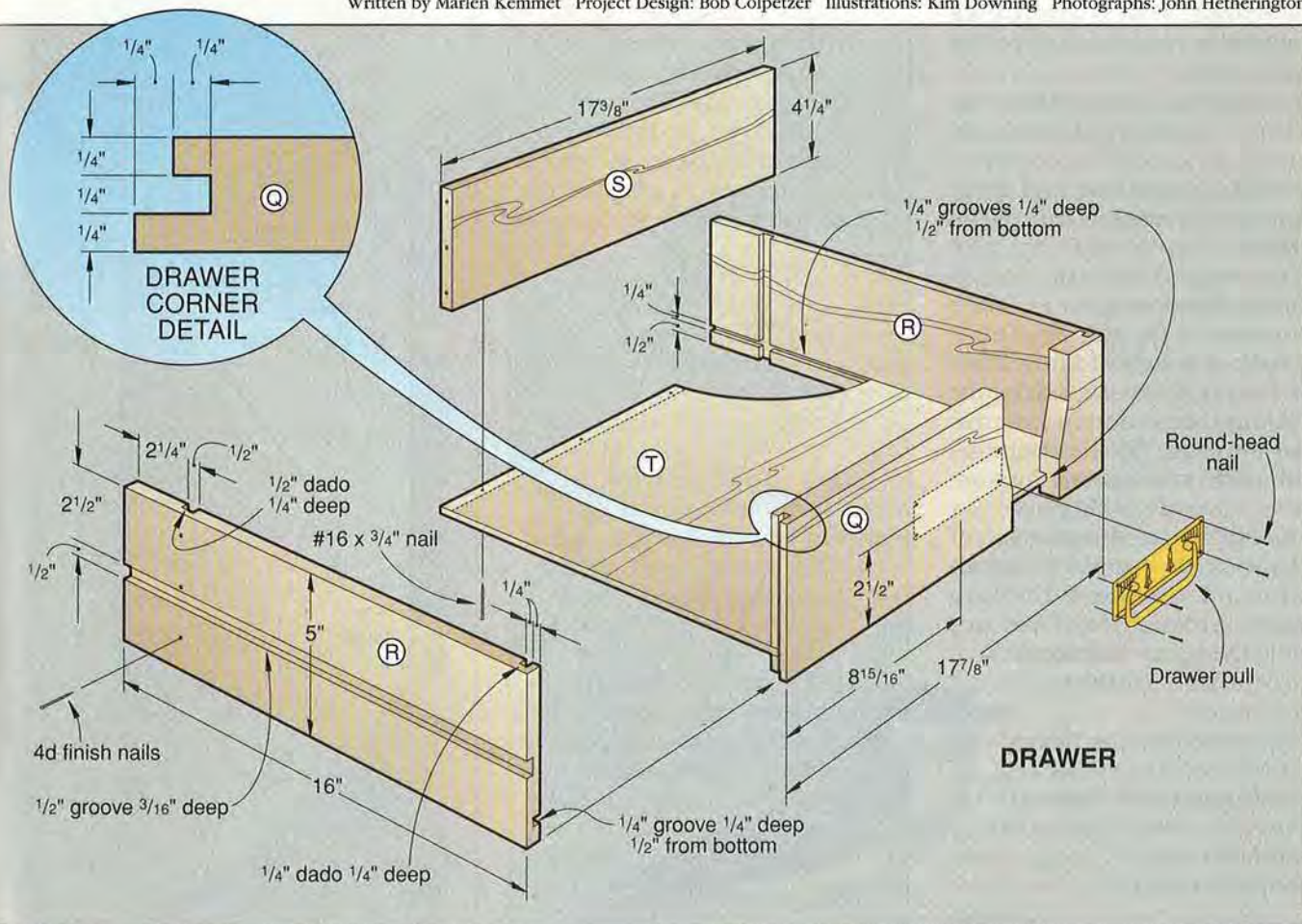
beyond the back edge of the carcass back (C) where shown on the Screw Hole detail. Working from the inside of the cabinet, screw the end panels to the carcass. See the Spacer detail accompanying the Exploded View drawing for reference.

6 Attach the pulls to the doors and drawers. Attach the doors to the cabinet.

7 Set the carcass/end panel assembly right-side up, and position the top (G) on top of the carcass/end panel assembly with an even overhang on both ends and flush with the back edge of the rear legs (H). Drive four #10x1½" roundhead screws through the $\frac{3}{16}$ " holes along the back edge of the carcass top (A) and into the bottom side of the top (G). Drive roundhead screws with washers through the center of the six $\frac{3}{16}$ " slots in the carcass top into the bottom surface of the top (G). Tighten the screws in the slots, and then back them off about half a turn to allow the screws to move in the slots with the expansion and contraction of the solid-wood top.

8 Secure the catches to the dividers (B) $1\frac{3}{16}$ " back from the front edge of the face frame. Now, attach the mating strike to the back side of each door. ♣

Written by Marlen Kemmet Project Design: Bob Colpetzer Illustrations: Kim Downing Photographs: John Hetherington



HOUSING GUIDELINES FOR THE BIRDS

You'll find few things in life as pleasant as watching and listening to the activity of songbirds. From dawn to dusk they display boundless energy as they nest, feed, and raise their families. But today's cities and suburbs usually lack the large old trees that provide nesting cavities for the dozens of songbird species that require them.

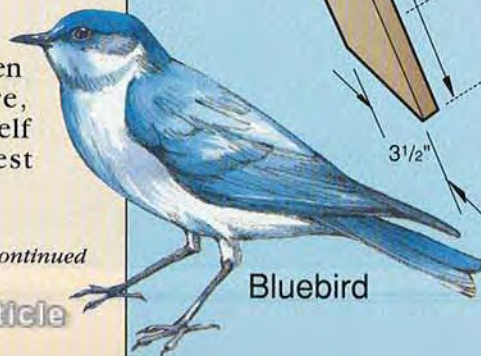
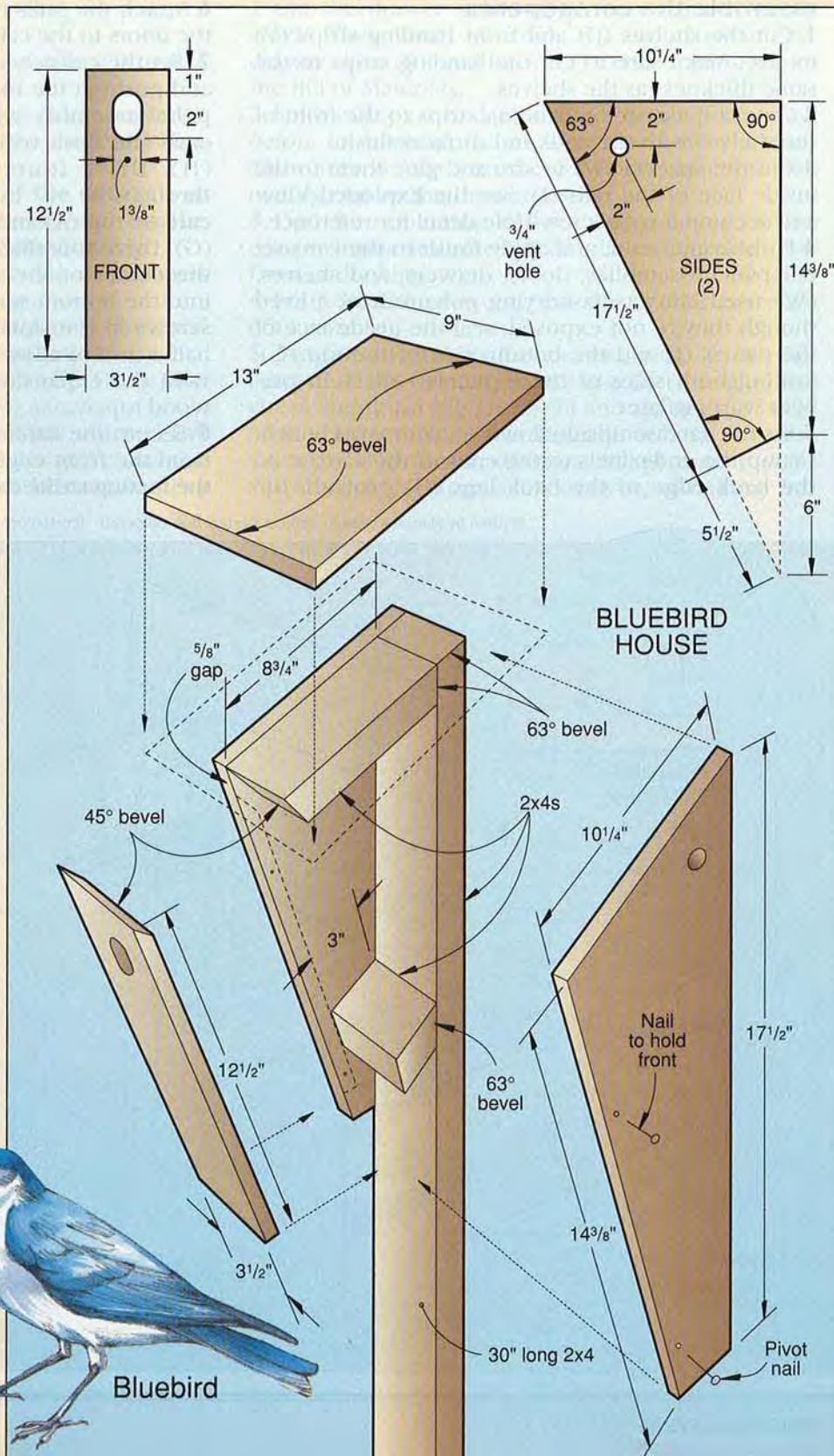
Luckily, it is easy and fun to simulate these natural nesting spots with birdhouses designed specifically for songbirds, not pesty house sparrows and starlings. You can even give nature a hand by providing boxes for waterfowl. That's why we've included a nest box suited for wood ducks.

For advice and guidelines on proper home building, we turned to a pair of experts: Carrol L. Henderson and Dave Algren. Carrol, nongame wildlife supervisor for the Minnesota Department of Natural Resources in St. Paul, Minnesota, has compiled a decade of songbird knowledge for his book *Woodworking for Wildlife* (see ordering information on page 72). His pointers will guide you in construction. Dave, a woodworking hobbyist from Stillwater, Minnesota, lent a hand with the plans shown here and on the following pages. A Northwest Airlines pilot, Dave has handcrafted more than 26,000 birdhouses!

If you follow the dozen guidelines listed here, you'll guarantee yourself some of nature's finest entertainment.

Happy building!

Continued



Bluebird

There's probably no better project to introduce a child to woodworking than a birdhouse. And to get ready for the songbirds' spring house hunt, now's the time to start.

12 IMPORTANT DO'S AND DON'T'S

1 Don't build a house just for "birds." Build houses, nesting boxes, and other structures with specific types of birds in mind because each species has different size and entrance-hole requirements. See the chart on *page 72* for suggested dimensions and allowable entrance-hole sizes for songbird species. (A hole cut to the correct size keeps unwanted birds out. For instance, sparrows will enter holes 1¼" and larger.) Drill all holes—entrance and ventilation—at a slight upward angle to prevent rain from blowing in.

2 Wood is the preferred material for birdhouses. Metal does not provide heat insulation. But use only pine, cedar, redwood, or cypress—not treated wood or plywood—for functional birdhouses.

3 Assemble cedar and redwood birdhouses with galvanized screws or concrete-coated or ring-shank nails. If you don't, the joints will eventually loosen. For pine houses, use standard fasteners.

4 Always build the birdhouse so that the sides enclose the floor. This keeps rain from seeping into the sidewall/floor joint. To slow deterioration of the floor, recess it ¼".

5 Make the front edge of the birdhouse roof overhang at least 2". The overhang protects the entrance hole from rain and keeps predators from reaching in from above.

6 So that you can clean out birdhouses semi-annually (before and after nesting season), always build them with a hinged side or roof. Use rust-proof hinges and either screw closure or a pair of roofing nails and wire to discourage raiding by raccoons.

7 Drill at least four ⅜"-diameter drain holes in the bottom of a house (except on some special designs for bluebirds and wood duck nest boxes). Drain holes allow rain and condensation to escape. Clear them every time you clean the house.

8 For ventilation in all birdhouses (except duck boxes), drill at least two ⅝" holes near the top on both sides. Wood provides great insulation, but interiors can overheat.

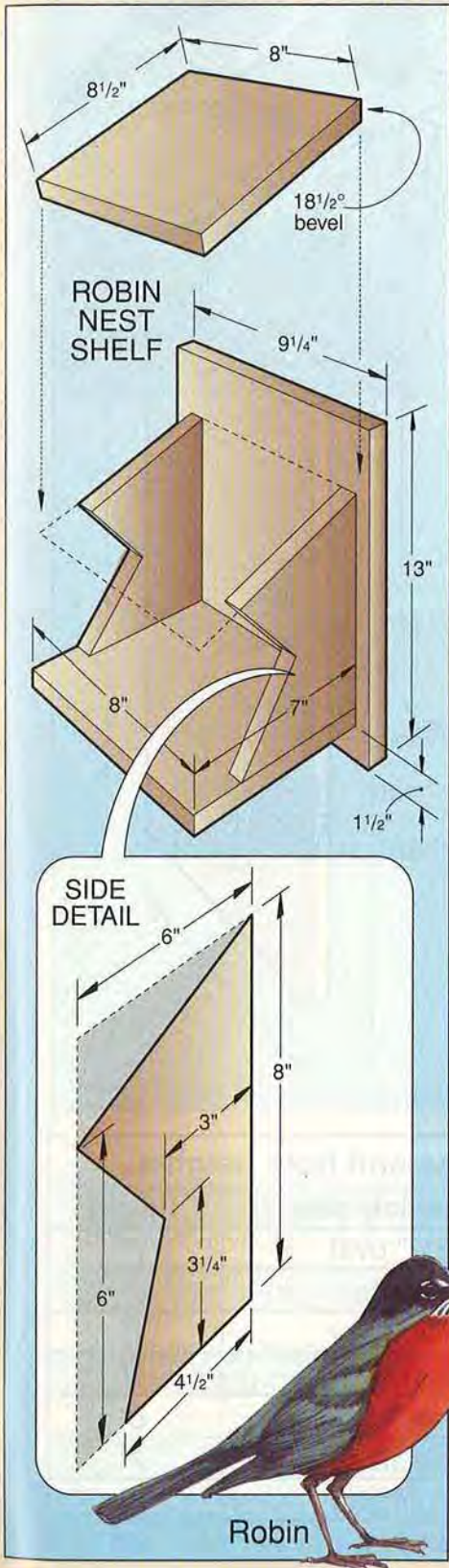
9 Never put a perch on a birdhouse. Perches encourage sparrows and European starlings, which compete with—and often kill—songbirds.

10 Do not paint, stain, or treat with preservative the inside of a birdhouse. You may coat the outside back of a birdhouse (the most prone to rot) with preservative, or paint the entire exterior.

11 Firmly attach all houses to a support post, building, or tree. If you think that cats and/or raccoons will be a problem with a post mount, discourage them with sheet-metal shields tacked to the post. Or, smear the post with grease. Wren houses can swing suspended from an eave or tree limb with a two-point suspension system.

How high to mount a birdhouse? Most songbirds nest in a range of from 4-15' above the ground. Remember, though, that you need to reach it for cleaning. And remember to provide shade for at least part of the day.

12 To avoid territorial fights, space houses for songbirds at least 20' apart. Space bluebird houses 100 yards apart. Purple martins and wildfowl, such as wood ducks, don't defend their territories.



Start Your Own Business! Be Your Own Boss! BE A HOME INSPECTOR

...Unlimited opportunities for ambitious people! No previous experience needed!



Make \$100.00 an hour—or more!

Make no mistake—the number of home inspections being done each year is on the rise. Banks, mortgage companies and concerned consumers want to know about a house before they put their money on the line. This means an incredible increase in money-making opportunities for trained Home Inspectors.

No matter where you live—big city, small town or rural community—you can get the skills you need to break into this lucrative field with the ICS proven "Quick-Learn" method of instruction.

- Train at home, the hours you choose.
- Keep your present job while you train for a better one.
- No previous experience or special talent needed.
- No technical jargon or boring textbooks.
- Everything is explained in plain English.
- Lessons are broken into "bite-sized" units for quick mastery.
- The most affordable tuition—and the most convenient payment plan—fits every budget. No interest or finance charges!

WORK PART-TIME HOURS... MAKE A FULL-TIME INCOME!

The average home inspection takes only a couple of hours...and Home Inspectors across the country are charging anywhere from \$100.00 to \$300.00 or more for their specialized services. You can make a very comfortable income just working on the weekends, if you like.

Just look at what you will learn:

- Elements of Home Design
- House Construction Basics
- Inspecting Heating and Air Conditioning Systems
- Inspecting Electrical Systems
- Inspecting Kitchens
- Inspecting Appliances
- Inspecting Environmental Hazards
- Inspecting Energy Conservation and Code Compliance
- How to Use Forms and Write Procedures
- How to Run Your Own Home Inspection Business

AND MUCH, MUCH MORE!

MAIL POST-PAID CARD TODAY FOR FREE FACTS!

If card and coupon are missing, write directly to:

ICS School of Property Management
925 Oak Street, Scranton, PA 18515

You'll get plenty of practical "hands-on" training, so you'll have the confidence you need to make your Home Inspection career or business a success. This course was especially developed by leaders in the field of home inspection and independent study to train you at home in all the important areas of Home Inspection. From the roof to the foundation, you'll have the knowledge you need to get started fast in this up-and-coming field!

If you like to work with your hands as well as your head,

SEND FOR FREE FACTS NOW!

Growth in the real estate market is on its way. Be ready to take advantage of the unprecedented opportunities that are waiting. Find out how you can train at home in your spare time to make money as a Home Inspector.

SEND TODAY FOR FREE FACTS...



L18

OR CALL TOLL FREE
1-800-596-5505 Ext. 5942
Call Anytime—24 hours a day,
7 days a week.

SEND TODAY FOR FREE FACTS...



SCHOOL OF PROPERTY MANAGEMENT Dept. P8DS15S
925 Oak Street, Scranton, PA 18515

YES! Tell me how I can train at home in my spare time for a better job, more money, and a new career or business of my own as a Home Inspector! No obligation. No salesman will visit.

HOME INSPECTOR

- | | | |
|---|--|--|
| <input type="checkbox"/> Electrician | <input type="checkbox"/> Secretary with Computer | <input type="checkbox"/> Auto Mechanics |
| <input type="checkbox"/> Air Conditioning & Refrigeration | <input type="checkbox"/> Computer Programming | <input type="checkbox"/> Drafting |
| <input type="checkbox"/> Gun Repair | <input type="checkbox"/> TV/VCR Repair | <input type="checkbox"/> High School |
| <input type="checkbox"/> Desktop Publishing & Design | <input type="checkbox"/> Real Estate Appraiser | <input type="checkbox"/> Professional Locksmithing |
| | <input type="checkbox"/> PC Repair | <input type="checkbox"/> Appliance Repair |

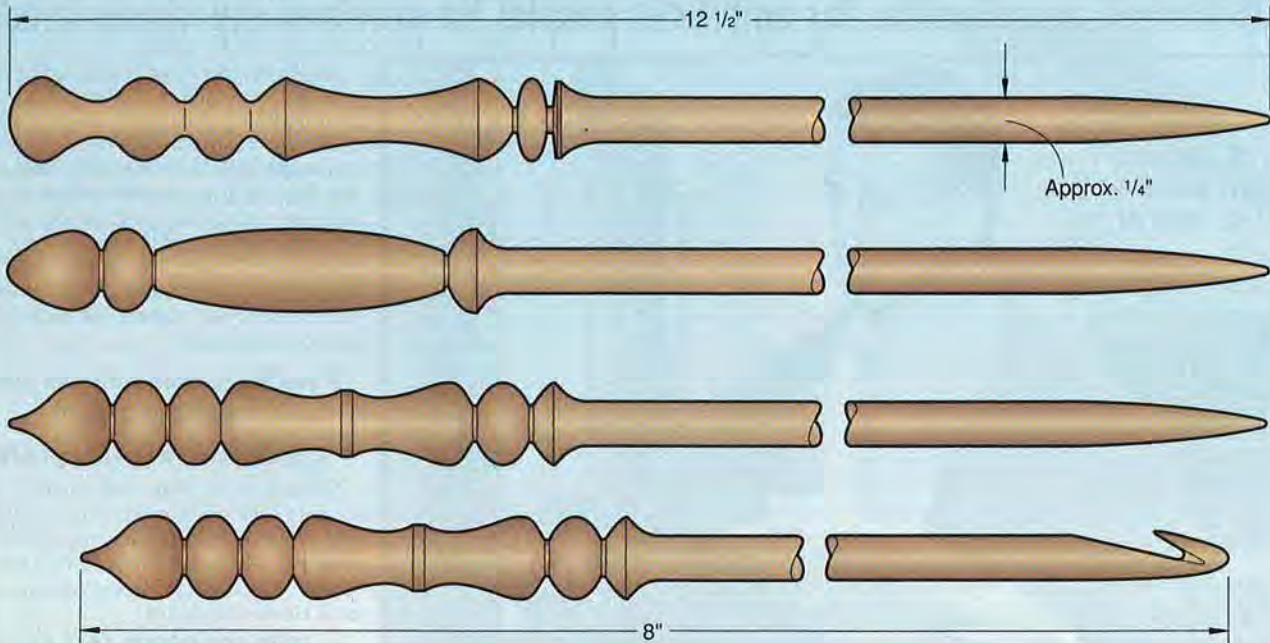
Name _____ Age _____
 Address _____ Apt. # _____
 City/State _____ Zip _____
 Phone () _____

ICS—Training more people for more careers than any other home-study school in the world!

TURNED KNITTING NEEDLES

Continued from page 41

FULL-SIZED PATTERNS



BOSCH
1581 VS
\$144
VS

Orbital Jigsaw
B1650 New! Bisquit Joiner \$ 158
B4050 New! Inline Jig Saw 113
3283DVS Random Orbit Sander 91
1194VSR 1/2" Hammer Drill 139
1347A 4 1/2" Grinder 88

BLACK & DECKER

NEW!
2872K2
with 2 batteries
12V \$188
2874K
12.4V \$199

1167 3/8" Keyless Drill \$ 72
1703 10" Miter Saw 189
2037 Drywall Sorewgun 98
2037W Drywall gun w/50ft cord 119
2054 HD Sorewgun 158
2870 1/2" Impact Wrench 149
2721 15hp Router 12" colt 148
3105 Reciprocating Saw 148
3339 3hp VS Plunge Router 268
4076 7" Wildcat Grinder 165

DELTA

37-070
\$248
6" Table Top Joiner
11-950 8" bench Drill Press \$ 143
14-650 Hollow Morse Chisler 283
22-540 12" planer 395
28-180 10" band saw 154
31-050 1" belt sander 77
31-080 1" Belt 5" Disc Sander 93
31-340 1" Belt 8" Disc Sander 203
31-480 4" Belt 6" Disc Sander 128
32-100 Plate Joiner 258
36-040 8" Compound Miter 395
36-090 Sialisk 10" Miter Saw 218
36-220 10" Compound Miter 228
40-150 15" Scroll Saw 115
40-560 16" Scroll Saw 177
40-640 20" Scroll Saw 294
35-617 10"x50" Carbide Bld 34
35-677 14"x108" Carbide Bld 75

if you can plug it in...we've got it!

ROCK BOTTOM PRICES ON ALL YOUR FAVORITE TOOLS

Makita

NEW!
LS1211
12" Compound
Miter Saw \$799

2414 14" Cutoff Saw 217
3612BRA Plunge Router 187
BO4510 Square Pad Sander 49
BO4530 Round Pad Sander 55
BO5000 Random Orbit Sander 63
LS1030 10" Miter Saw 189
N1900B 3" Planer Kit 129

STIK-ON SANDPAPER
10 yards GOLD/C weight/dies
Gd. 1/2"rol pieces 6"round
5"round

60 N/A 100 pc 19.95 15.95
80 10.95 100 pc 18.95 13.95
100 9.85 100 pc 17.95 12.95
120 9.85 100 pc 17.95 12.95
150 9.85 100 pc 17.95 12.95
180 9.85 100 pc 17.95 12.95
220 9.85 100 pc 17.95 12.95

FEIN Detail Sander
Kt w/case & paper \$188
Scrapr Blade attachment 15.95

BIESEMEYER
T50 50" Commercial Fence \$ 287
HS62 50" Home Shop 237
HS40 40" Home Shop 207
TABLE SAW INSERTS

REG
STSE380 Jig Saw 59
VS280 1/2 sheet sander 39

RYOBI

**OSS450
Spindle
Sander \$169**

AP10 10" Planer 389
AP10 Replacement Blades 24.95
BS900 NEW! 9" Band Saw 173
BT3000 Table Saw 529
DS1000 Detail Sander 39
JP155 6" Planer 299
JM100K Bisquit Joiner 209
QS1000 Quick Stand 42
RS0K Trimmer 2 base Special 99
R70K Trimmer 2 base Special 99
RA202 8" Radial Arm Saw 388
RE600 3hp Plunge Router 219
RJ100VK Reciprosaw 99
RS112 Random Orbit Sander 54
RS115 HD Random Orbit Sander 73
S550 Finish Sander 53
SC160 Scroll Saw 134
TR30U Laminate Trimmer 85
TS251 10" Miter Saw 169
TS254 10" Miter Saw 197
TS260 10" Comp Miter Saw 238
TS380 15" Miter Saw 365

AIRZY

NAIL GUNS
2415K
18 G 3/8-1-1/2" Kit \$98

EZ1 shoots pins & staples 98
2505K 18 G 3/4-2" Kit 164
350K 18G 3/4-2" Kit 198
565T 1-2-1/2" Finish Gun 204
626SK 1/4" Crown 1" Stapler Kit 104
8290 6d-16d Framing Nailer 318

Emglo

AIR COMPRESSORS
AM93HC4V 3/4 HP-2 tanks 288
AM78HC2 1 1/2 HP-1 tank 279
AM78HC4V 1 1/2 HP-2 tank 299
AM78DOLHC4V
New! Oilless 1 1/2 HP-2 tank 299

freud

5 pc Router Bit
Cabinet \$158

94-100 5 pc Router Bit \$158
91-100 13 pc 1/2" Shank Bit Set 189
92-100 26 pc 1/4" Shank Bit Set 299
LU85M010 10" 80T Finish 58
LU84M011 10" 50T Combo 39
LM72M010 10" 24T Rip 36
LU85M015 15" 108T Finish 98
LU82M010 10" 60T Chipboard 45
LU85M010 10" 72T Aluminum 57
LU82M010 10" 60T Cortans 58
LU88M010 10" 80T Laminates 68
LU72M010 10" 40T ATB 39
LU87M010 10" 24T Thin Kerf 39
LU73M010 10" 60T Crosscut 44

SMARTLEVEL

SL224 2" economy Level \$ 54
PR24S 2" Pro Level w/case 88
PR48S 4" Pro Level w/case 105

STABILA

LEVELS - Hand holes. Two vertical vials.
Two milled faces. Yellow coat.
2484 24" \$ 39
2489 36" \$ 42
2467 48" \$ 49
2501 10" POCKET LEVEL 25
2699 6 ft -3vial 99
2700 6 ft 6" -3vial 115
2701 8 ft -3vial 125
Economy Style 24" 2434 25
Economy Style 48" 2437 39
Economy Style 72" 2411 59

7pc Forstner Bit Set your choice
7pc Countersink Set
7pc Bradpoint Set \$17.95

Milwaukee

0229-1 3/8" Keyless Drill \$ 108
0407-1 Cordless Drill Kit-Zbatt 172
0564-1 Cordless Drain Cleaner 182
3300-1 Rt Angle Drill 189
5192 Die Grinder 174
5362-1 1" Hawk Hammer 316
5365-1 1" Hawk Hammer Kit 348
5369-1 3/4" D-handle Falcon Kit 238
5371-1 1/2" Hammer Drill 183
5375-1 1/2" Hammer Drill Kit 178
5392-1 3/8" Hammer Drill 126
6140 4 1/2" Grinder 98
6142 4 1/2" Grinder Kit 123
6175 14" Chop Saw 278
6490 10" Circular Saw 258
6490 10" Miter Saw 274
6491 10" Miter Saw w/80t Blade 288
6492 10" Miter Saw deluxe kit 335
6528 VS Super Sawzall 172
6539-1 Inline Screwdriver 74
6546-1 2 spd Inline Screwdriver 81
6767-1 Screwdriver Kit 134
8980 Heat Gun Kit 91

6535 Dual range VS Sawzall \$115

SENCO

SFN2B
Finish Nail Gun Shoots 1 1/2" to 2 1/2" Finish Nails \$359

Panasonic

EY6100EOK
NEW PREDATOR
12 V CORDLESS DRILL
15 Minute Charge \$197
EY6100CRKW PREDATOR
1 Hour Charge w/2 Batteries 187
EY571B 9.6V Cordless Drill 119

HITACHI

IT'S BACK!
IT'S NEW!
IT'S MADE
IN THE USA!

**C8FB2 COMPOUND
SLIDE SAW \$579**
60 Tooth Carbide Blade 39.95
C10FA 10" Miter Saw 289
NR83A Framing Nailer 379
TR6 Laminate Trimmer 91

DEWALT

**DW682K
Biscuit Joiner \$224**
DW106 3/8" Keyless Drill 73
DW610 1-1/2 Hp Router 148
DW704 12" Miter Saw 324
DW705 12" Compound 353

TRIGRIP

Clamp 'n Tool Back-to-Back
Guide Bench Clamp
50C \$ 29.50 BB50 \$ 45.95
36C 26.50 BB36 37.95
24C 22.50 BB18 31.95

CONSTRUCTION MASTER III
The world best
feet-inch-metric-fraction
calculator. Solve rafters,
hips, valleys, stairs
\$ 69

Pockethole maker \$109

for joining
faceframes,
butt joints and
other pocket hole
applications
K2 two hole 109.95
K1 one hole 99.95
Extra bit 15.95
Face Clamp 15.95

USE VISA, MC, DISCOVER
FREE SHIPPING on orders from
this add over \$50, within continental
48 states, HI and AK extra.
Sales limited to stock on hand.

ABBEEY TOOLS
1-800-225-6321

1132 N. MAGNOLIA, ANAHEIM CA. 92801
OPEN 8 5:30 WEEKDAYS 9 2 SATURDAY
Calif. residents add 7.75% state sales tax
SERVING YOU FOR OVER 18 YEARS
Prices subject to change without notice.

The Adventures of Dusty Pyles

CONTINUED...



HELLO....
TOTAL SHOP...
I WANT TO
ORDER A CLEAN
AIR SYSTEM...

DUSTY, MY
FURNITURE IS
COVERED WITH
YOUR
WOODWORKING
DUST FLOATING
UP INTO THE
HOUSE... WHAT
ARE YOU GOING
TO DO ABOUT IT?



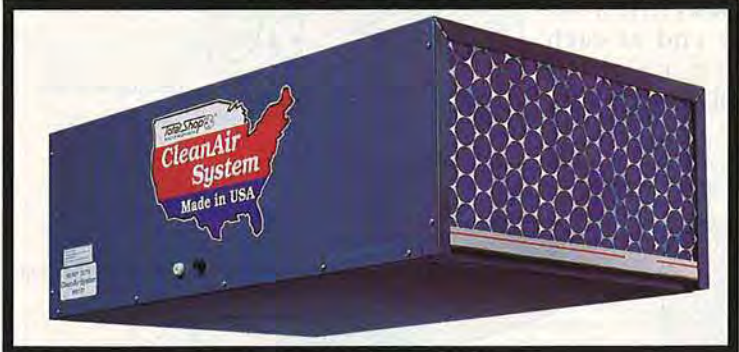
I'VE JUST
ORDERED A
CLEANAIR!



WHAT IN THE
WORLD IS A
CLEAN AIR?



WELL GERTIE, THE CLEANAIR IS A UNIQUE 3-STAGE FILTRATION
SYSTEM THAT EFFECTIVELY CAPTURES 97% OF THE DUST PARTICLES
IN THE AIR. IT DOES SUCH A GOOD JOB THAT FROM NOW ON YOU
WON'T HAVE TO DUST EVERY DAY I'M WORKING IN MY BASEMENT
SHOP! ISN'T THAT GREAT!



HELLO....
TOTAL SHOP...
PLEASE HURRY
WITH MY NEW
CLEANAIR!!!

- And here are just a few more advantages the CleanAir System has over the competition...
- Needs no outside venting
 - Effectively cleans the air in an area up to 4000 cubic feet
 - Totally quiet operation
 - Has no effect on existing room temperature
 - Runs on standard house current
 - Compact size (25" x 13" x 40") fits almost anywhere
 - Heavy gauge steel cabinet with mounting holes
 - Contains approximately 18 square feet of filter material
 - Easy filter replacement
 - Also available in heavy duty model
 - 30 day money back guarantee
 - One year warranty on all parts
 - Built in the USA with a 5 year track record of total customer satisfaction!

Why continue fighting the never ending battle with dust? Order **NOW** and receive absolutely **FREE** our **Extended Lifetime Warranty** (\$29.95 value!)

CLEANAIR SYSTEM 260 CFM order # 90175 Suggested List Price \$339 NOW \$269 \$20 shipping	CLEANAIR SYSTEM 490 CFM order # 90177 Suggested List Price \$399 NOW \$309 \$20 shipping
Filter Replacement Kit • order # 90176 • \$29.95	

NAME _____

ADDRESS _____

CITY/STATE _____

ZIP _____ PHONE _____

PLEASE SEND MORE INFORMATION

I WANT TO ORDER # _____

CHECK, M/C, VISA, DISCOVER, AMEX

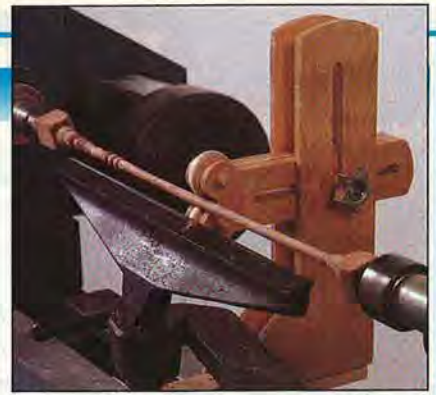
CARD # _____ EXP. DATE _____

TOLL FREE 1-800-845-9356

Total Shop 
 WORLD OF WOODWORKING
 DEPT. #3
 P.O. BOX 25429 • GREENVILLE, SC 29616
Circle No. 940

THIN-TURNING STEADY REST

It keeps small-diameter work from wobbling



With a long, slender turning spinning between centers on your lathe, strange things can happen. Instead of running smooth and true, the piece often bows in the middle and starts to whip around like a jump rope.

That's when you need a steady rest to help bring the turning back under control. In its simplest form, a steady rest is just a piece of wood that bears against the turning to keep it from wobbling. We've come up with one that's just about as easy to build, but supports the workpiece on rolling wheels. This minimizes the chances of marring the turning. You'll find it's just the ticket for turning the knitting needles on page 40 and similar projects.

Steady, now

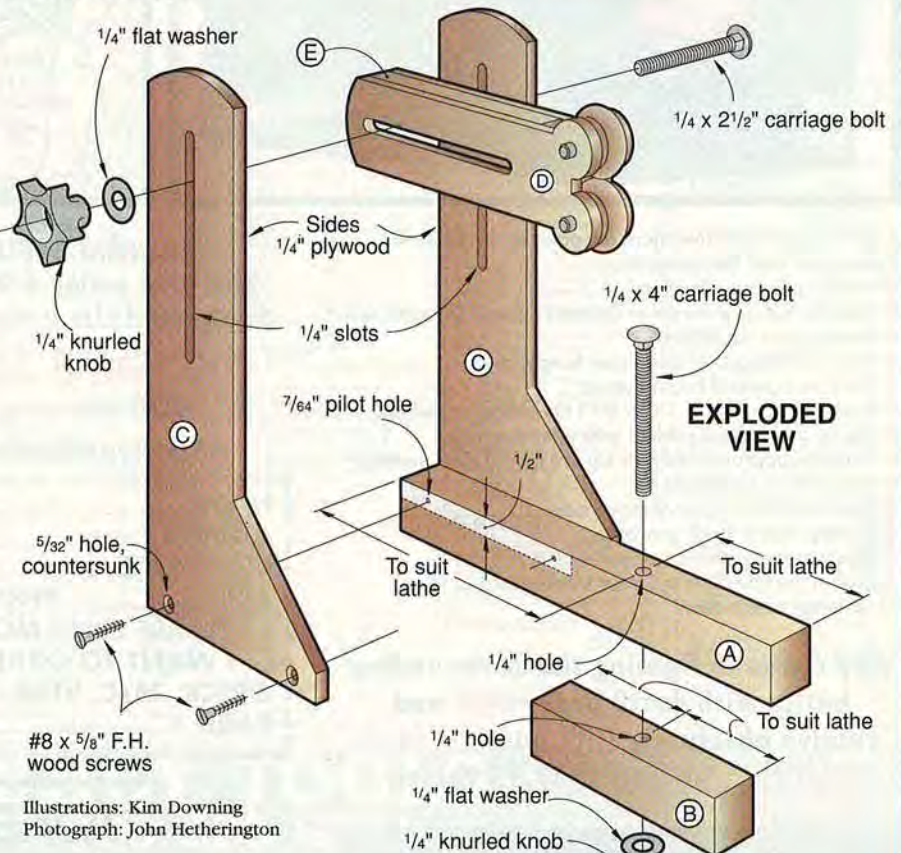
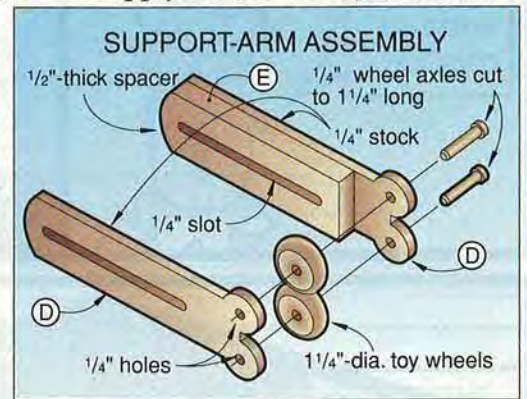
Start by constructing the steady rest's base, parts A and B. The ones shown in the Exploded View drawing right fit a Jet JW1 1236 lathe. To construct a base to fit your machine, make part A long enough to span the lathe bed and extend about 6" beyond the centerline at the back. Part B must fit beneath the bed to clamp the fixture in position.

Using the full-sized patterns in the *WOOD PATTERNS™* in the center of the magazine, cut two stand sides (C) and two support-arm sides (D) from 1/4" plywood. Where shown, drill the axle holes in parts D and the holes for the ends of the adjustment slots in parts C. Scrollsaw the adjustment slots in parts C only. (We stacked the parts on a scrollsaw, then drilled the holes and cut the slots before separating the pieces.)

Cut the support-arm spacer (E). Glue the three support arm parts together, sandwiching the spacer between the two sides, as shown in the Support-Arm Assembly drawing. After the glue dries, drill the end holes for the adjustment slot. Scrollsaw the slot.

Install the wheels in the arm with toy axle pegs. (You don't have to buy toy wheels and axle pegs; you can turn your own 1 1/4"-diameter wheels 7/16" thick and use lengths of dowel rod for the axles.) Drill a 1/16" hole near the end of each peg, then insert a piece of wire or a small cotter pin to retain the axle.

Assemble as shown. We used wingnuts salvaged from a worn-out portable circular saw for our jig. Similar knobs with a 1/4"-20 thread sold by woodworking-supply dealers work great, too. 🛠️



Illustrations: Kim Downing
Photograph: John Hetherington



THE CUT IS EVERYTHING!

FREE - \$45 IN SHARPENING COUPONS WITH EACH BLADE OR DADO SET

Buy any blade or Dado
— or Buy Our Best Seller
10" x 40T for only \$119
(list \$156, save \$37!) —
and also receive **\$45**
in sharpening
discount coupons.
(Total Savings \$82
OR MORE!!)

Outperformed 36 other premium blades.

Wood Magazine test, Sept., '93, pg. 45.



The One Blade That Leaves A Smooth-As-Sanded Surface!!!

SALE PRICES!!
NO-CHIP BLADES & DADO SETS for MELAMINE and OAK/BIRCH VENEER • VERTICAL & HORIZONTAL PANEL SCORING SETS • RADIAL & CHOP SAWS
INQUIRE!!

CALL 1(800) 733-7111
IN NEW JERSEY (201) 473-5236. BUS. OPEN ACCT.
CHECKS OR CREDIT CARD

Dear Sirs,
Never before had I seen your blade in action, but I wouldn't have believed it if I had not seen it! I was so impressed with the glass-like cut the Woodworker II blade made on various wood types that I went to "Woodworking Unlimited" the next day and bought your dado set!!
David Sharp
Sugar Land, Texas

Dear Sir,
When I first saw your ads for your saw blades, I thought that if one quarter of what you were claiming was true, the blade would be worth buying. Now having bought and used one, I have found all of your outrageous claims to be justified - it's a terrific tool.
Peter Lauritzen - Carpentry
Tesque, NM
P.S. I hope to see these available in 7 1/4" size in the future, for skilsaws
"They are right now, Peter."
Jim Forrest

Gentlemen,
I have used many different blades during my forty plus years of working. There is absolutely no comparison to any other blades on the market and your WW I & II blades.
Kenneth L. Salisbury
Huntsville, AL

(From Another Customer)
In closing I would like to add that the Woodworker II blade is by far the finest saw blade that I have ever used. I also have the Forrest dado set which is without a doubt, the king of all dado sets. I work exclusively with red oak and oak veneer plywood and the dado set performs splinter-free cuts as advertised.
It is a pleasure to purchase a product that does what it is advertised to do. Thanks for making such a fine product.
Dennis R. Schule, Owatonna, MN

GOOD ON ALL FORREST OR OTHER MAKES OF CARBIDE BLADES OR DADO SETS. Total Savings \$82 or more! Nine \$5 sharpening coupons supplied with blade or dado. Offer good through February 28, 1995. Must mention WOOD mag. to receive coupons and extra bonus.

WOODWORKER II	List	SALE
14" x 40T x 1"	\$215	\$149
14" x 30T x 1"	195	139
12" x 40T x 1"	183	129
12" x 30T x 1"	162	119
10" x 40T x 1/8" or 3/32"	156	119
30T 1/8" or 3/32"	135	99
9" x 40T	146	109
30T	125	99
*8-1/4" x 40T 3/32"	136	99
8" x 40T 3/32"	136	99
30T 3/32"	115	89
7-1/4" x 30T 3/32"	112	69
**NEW 6" x 40T 3/32"	136	89

****NEW For Sears & Makita Table Saws** **For Saw Boss
5/8" holes, boring thru 1 1/4" add \$7.50
Larger at Time Basis Shipping \$4.50
FOR BETTER CUTS on all brands of blades, use our large 1/8" DAMPENERS-STIFFENERS against one side.
• Parallel and flat to .001"
• Stop vibration, flutter, CUTTING NOISE and blade ring
• Tryable and returnable for full cash refund
FULL RANGE OF OTHER INDUSTRIAL SIZES

4" ...	\$21
5" ...	24
6" ...	25

UPGRADE YOUR CHOP AND SLIDING MITER SAWS WITH OUR CHOPMASTER



New specs • 5° Neg. Pts. & a flat, runout less than .002" for perfect, tight, smooth, splinter-free miter joints.
NEW AVAILABLE SIZES

		List	SALE
Delta Sidekick 6-1/2"	6-1/2" x 40T x 5/8"	\$149	\$ 89
Sears 8-1/4" Delta	8-1/4" x 60T x 5/8"	170	99
Hitachi 8-1/2" DeWalt 8-1/2" & Ryobi	8-1/2" x 60T x 5/8"	179	109
Delta	9" x 80T x 5/8"	204	119
Ryobi-Makita & all	10" x 80T x 5/8"	207	129
DeWalt, Makita, B&D & Hitachi	12" x 80T x 1"	229	139
Ryobi-Makita	14" x 100T x 1"	266	179
Hitachi	15" x 100T x 1"	277	189

For good general purpose cuts use Woodworker II 30T & 40T or Woodworker I

Use small stiffener where possible

QUIET! Also help all your other blades to cut better. Use our 1/8" DAMPENERS-STIFFENERS, against one side
4" - \$21
5" - \$24
6" - \$25
Tryable and RETURNABLE. CUTS NOISE to 1/2 or 1/4. Stops vibration, flutter, cutting noise and blade ring. Parallel and flat to .001" 7" and larger available.

5/8" holes std. Boring up to 1-1/4" \$7.50 extra. Others available. Add \$2.50 Shipping. **REDUCE NOISE 50%-75%**

WOODWORKER I - For TABLE and RADIAL SAW

this trim and crosscut ALL PURPOSE blade gives scratch free POLISHED cuts on all materials RIP or CROSSCUT up to 2".
• All 60T and 3/32" THIN kerf 30° ATB and 5° face hook on 10" dia and under. 12" and 14" are 20° ATB 1/8" K.
• DOUBLE HARDER and 40% STRONGER carbide.
• THIN KERF:
Saves 1/3 wood loss on each cut, radial or table. Feeds easy when used for moderate rip and crosscut on table saw. Reduces "JUMP IN" greatly for better "PULL CONTROL". Practically eliminates bottom splinter on RADIAL-CROSS CUT.
• Totally stops ALL bottom and top splinter on ply veneers in push-cut mode on RADIAL.
• Our STIFFENER STRONGLY RECOMMENDED AGAINST outside of blade only for best cuts.
Made and serviced in USA for your benefit.

	List	SALE
14" x 60T x 1" 1/8"	\$224	\$159
12" x 60T x 1" or 5/8" 1/8" K	198	139
10" x 60T x 5/8" 3/32" K	162	129
9" x 60T x 5/8" 3/32" K	156	119
8" x 60T x 5/8" 3/32" K	150	109
New 8-1/4" x 60T x 5/8" 3/32" K	150	109
New 7-1/4" x 60T x 5/8" 3/32" K	150	109

RYOBI RA200 - TS200 SEARS - MAKITA 500B NBA - HITACHI PSM8 - PORTER CABLE 368-1

NEW DADO KING DELUXE DADO SETS ALL 1/8" - 29/32 flat bottom grooves WITH or CROSSGRAIN all woods. OAK, BIRCH, VENEER PLYS, and MELAMINE. NO SPLINTERING due to unique 4T Neg. Face fillers and 24T outside saws.
OUT PERFORMS 29 + 32 OTHER DADO SETS WOOD Mag, Oct. 91, pg. 62, 63 "Best Value"
"No tearout on all five woods tested."
-Fine Woodworking July/Aug, 1991

Boring up to 1-1/4" **SALE! 10% OFF** NEW 3/32 Chipper & Shims incl. Woodworking July/Aug, 1991
\$25 per set \$5.50 Per Set Shipping
NEW 6" D. 5/8" Bore • List \$299/SALE \$269 • 10" D. 5/8" & 1" Bore • List \$389/SALE \$349
8" D. 5/8" Bore • List \$321/SALE \$289 • NEW 12" D. 1" Bore • List \$499/SALE \$449

Forrest Dado King (Superior)	Y-A S2009 (Excellent)	U.S. Saw 600-C-RFD (Good)	Y-A 26742 (Poor)
------------------------------	-----------------------	---------------------------	------------------

DURALINE HI-AT For TABLE & RADIAL SAW

(very good on chop saw too!) STOP SPLINTERING those SPLINTERY OAKS, HARDWOOD VENEERS and thin 2 SIDE LAMINATES ON PARTICLE BOARD.
FOR FASTER FEED RATES AND MORE ABSOLUTE SPLINTER CONTROL.
DURALINE HI-AT
Note: Fine Woodworking Editorial Nov./Dec. 1988 No. 73, pg. 65, S.N. recommends high alternating top bevel (ATB) thin kerfs and large blade stiffeners for smoothest cuts on RADIAL SAW, etc.



Jim Forrest, President and designer microscoping cutting edge.

All 5/8" holes. Boring up to 1-1/4" \$7.50 extra
Larger holes - time basis. Shipping \$4.50

	List	SALE
7-1/4" x 60T 3/32"	\$149	\$129
8" x 80T 1/8" & 3/32"	202	\$169
9" x 80T 1/8" & 3/32"	207	\$179
10" x 80T 1/8" & 3/32"	207	\$159
SPECIAL SALE! ONLY \$159		
12" x 80T x 1" 1/8"	212	\$181
12" x 100T x 1" 1/8"	253	\$215
14" x 80T x 1"	232	\$197
14" x 100T x 1"	266	\$226
16" x 80T x 1"	262	\$223
16" x 100T x 1"	294	\$243

CARBIDE IS THE HARDEST OF THE C-4 GRADES AND 40% STRONGER, NOT WEAKER! For 50% to 300% longer life!

FACT: Duraline Hi-AT with dampener/stiffener is the quietest blade on the market!
You've probably read the recent articles on the new "quiet" blades. But the fact of the matter is a Forrest 80 tooth Duraline Hi-AT with blade stiffener cuts 50% quieter than those so-called "quiet" blades.

So order your saw blade and stiffener today and find out why Serious Woodworkers prefer Forrest Blades. Satisfaction guaranteed or full cash refund.

BUSINESS OPEN ACCOUNTS AVAILABLE

CA, FL, NJ, NY, PA Residents Please Add Sales Tax
FOR SPECIAL PRICE COUPONS AND BONUS MENTION WOOD MAGAZINE
We honor Amer. VISA, MasterCard & Discover, Money Orders, Personal Checks, and CODs. Specify Dept. WD when ordering.
PHONE TOLL FREE! 1 (800) 733-7111
(IN NJ: 201-473-5236) FAX: 201-471-3333

WE RECOMMEND OUR FACTORY SHARPENING as some local sharpening creates problems with Micro-chipped edges reducing blade life & cutting quality.
2-4 DAYS ON THESE AND ALL MAKES OF FLAT FACE & CONCAVE CARBIDE TIP SAWS.
SHIP VIA UPS. Typical 10 x 40T \$15.00, 60T \$17.75. Add return UPS \$4.50 or 2nd Day Air \$6.
SATISFACTION GUARANTEED OR FULL CASH REFUND.
Fine American saw making & sharpening since 1946.

Quality is why we're different
FORREST
FORREST MANUFACTURING COMPANY, INC.
461 RIVER ROAD, CLIFTON, NJ 07014
DEALER INQUIRIES WELCOME
Circle No. 1322

WHY ARE WE PRACTICALLY
"GIVING AWAY?"



"401 WOODWORKING PATTERNS FOR ONLY 2¢ EACH?"

IF YOU LIKE TO CUT PATTERNS OUT OF WOOD, THIS IS THE SET FOR YOU! YOU'LL FIND A TREASURE HOUSE OF IDEAS INSIDE. 401 BEAUTIFUL WOODWORKING PATTERNS AND DESIGNS.

(By Frank K. Wood)

FC&A, a Peachtree City, Georgia, publisher, announced today that it is practically "giving away" an all-new set of "401 Woodworking Patterns."

- Curvy curios, charming country cats.
- Sturdy shelves, shadow boxes, showy plaques.
- Victorian ladies and stylish gents.
- Rack up your spices, spice up your den.
- Folk art, Shaker art, modern art, too.
- Hanging hearts, huggable bears.
- Welcome signs, house name and number sign, proudly displayed.
- Whizzing whirligigs, models of planes.
- Birthday surprises, decorations for major events.
- Dancing bear, prancing pony, soaring eagle.
- Circus animals and barnyard critters.
- Christmas candy cane mouse and candy cane border for your house
- Comic cartoons.
- Summer garden helpers, lawn deco art.
- Pretty jewelry ideas for girls of all ages.
- Picture-perfect frames, country carousel on a stand.
- Bunnies for Easter, rabbits to hang on the wall.
- Angels of love, Christmas and song.
- And much, much more.



Build all these wooden favorites. Illustrated plans include full-size patterns and complete instructions. To order a set, just return this notice with your name and address and a check for \$7.99 plus \$2.00 shipping and handling, and we will send you "401 Woodworking Patterns." Or, for only \$9.99 plus \$2.00 shipping and handling, you can get both the basic set and an extra 100 large patterns.

Send your check along with your name and address to: FC&A, Dept. OWZ-2, 103 Clover Green, Peachtree City, GA 30269.

You get a no-time-limit guarantee of satisfaction or your money back.

You must cut out and return this notice with your order. Copies will not be accepted!

**IMPORTANT — FREE GIFT OFFER
EXPIRES MARCH 6, 1995**

All orders mailed by March 6, 1995, will receive a free gift, "50 Special, Seasonal, Woodworking Patterns," guaranteed. Order right away!

©FC&A 1995

ASSOCIATIONS YOU SHOULD KNOW ABOUT

MID-WEST TOOL COLLECTORS ASSOCIATION



If a foot-powered lathe or an old hollowing adze like the one in the logo, right, holds more interest for you than modern tools, you'll find grist for your mill with the Mid-West Tool Collectors Association (M-WTCA). Membership in the 27-year-old non-profit association puts you in touch with more than 3,000 enthusiasts who collect tools from the past. Although the group began in the Midwest, its membership includes collectors from everywhere.

M-WTCA members go about tool collecting seriously. They feel strongly about preserving as well as learning about old-time tools and the craftsmen who used them. Their association's purpose, though, gives a clue to the spirit in which they band together: "to accomplish this in a spirit of fun and fellowship." This group of folks enjoys sharing their discoveries about tools from the past.

Oil cans, Stanley planes—you name it

Though some members collect a broad variety of tools, many collectors narrow their focus to a specific type of tool, product, or tools from only a specific period or location. A member from Missouri, for example, collects only oil cans. And Stanley tools have always been popular.

Former association president Ray Nissen's greatest pleasure from membership comes each spring and fall as the association meets to display, demonstrate, and swap aged tools. Spread throughout a massive hall lie displays featuring practically every vintage tool imaginable—implements for woodworking, forging, farming, surgery, and watchmaking, to name but a few. Attendance at these semiannual meetings is restricted to members, but anyone may join "at the door." Throughout the year, collectors gather at local or regional meetings for presentations or just to buy, sell, trade, and talk.

Facts galore in *The Gristmill*

Information for members makes the rounds through the association's quarterly magazine, *The Gristmill*. Detailed articles discuss such subjects as how Colonial watermills were erected. Reprints of old hardware catalogs, advertisements, and articles give members more fodder for their collecting fires.

Annual membership is \$20 for those in the U.S., \$28 in Canada, and \$35 in other countries. For more information on joining, write to William Rigler, Mid-West Tool Collectors Association, Dept. W, R.R. 2, Box 152, Wartrace, TN 37183. ♣

WORMTRAX

WOODWORKING PLANS



#1 - 5"

#2 - 7"

#3 - 9"



#4 - 10 1/2"

#5 & 6
Half Wells - 12"

6 Wishing Well Planters

Make all 6 from one 1x12x8' board on scroll saw or one 5/4x12x8' board on band saw.

Skill Level: Easy enough for the novice, challenging enough for the expert!
(No tracing or enlarging necessary)

Pattern layout and easy-to-use instructions - **\$9.99**
(NY residents add 7% sales tax)

1-800-481-8762

For that
"SPECIAL"
project



Table
Bases



Table Legs

IN STOCK
NO
MINIMUM
VARIOUS
WOODS

FREE
COLOR
CATALOGUE



Kits Ready to Assemble &
Finish



Adams Wood Products, LTD. LP.
974 Forest Dr., Dept. M 30
Morristown, TN 37814 • Phone (615) 587-2942

Circle No. 1002

Garrett Wade Free...



We carry over 5,000 high quality woodworking supplies and tools that are nearly impossible to find anymore.

For your FREE catalog Call Toll-Free or write to:

Garrett Wade Co., Inc.
161 6th Avenue, Dept. 1001
New York, NY 10013
800-221-2942

Circle No. 44, 855, 1427

END WOOD ABUSE!

Replace "Old-Fashioned
Pin Torture"



with the "Wood-Friendly" Wagner L606 Moisture Meter

- Deep Penetrating, Pin-Free
- Proven Technology - Used by Agencies to Grade a Large Percentage of US Wood.*

L4.5" x
W2.75" x H1.5"



*REQUEST INFORMATION
© 1983 WAGNER ELECTRONIC PRODUCTS, INC.

WAGNER
ELECTRONIC PRODUCTS

Headquarters:
326 Pine Grove Rd.
Rogue River, OR 97537
(503) 582-0541
Fax (503) 582-4138
Circle No. 1285

1-800-944-7078

Why settle for a cheap imitation when the real thing is now so affordable?

Now's the time to get the
NordicTrack you've always wanted.

You've probably been thinking about getting the original NordicTrack® ski exerciser. Chances are you even know someone who has a NordicTrack and loves it! But you've been waiting for the right time to buy. Wait no longer. With models priced as low as \$339.95*, there's no reason to accept anything but the best.

**Why NordicTrack gives
you the most fitness
for your money.**

Study after study shows NordicTrack, "The World's Best Aerobic Exerciser," gives you fitness results that ordinary exercisers just can't match in as little as 20 minutes, 3 times a week!

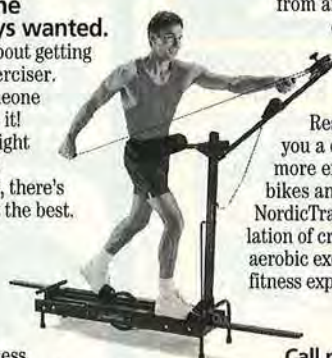
Burns more calories.

Research shows NordicTrack burns 48% more calories than stairsteppers, 24% more than exercise bikes and 20% more than treadmills! You'll burn

from an average of 890 up to 1,100 calories per hour for more effective weight loss.

**Gives you a better
cardiovascular workout.**

Research shows NordicTrack gives you a cardiovascular workout that's more efficient than steppers, exercise bikes and treadmills. That's because NordicTrack gives you the truest simulation of cross-country skiing, the best aerobic exercise according to fitness experts.



30-DAY
IN-HOME
TRIAL

Call now and get started
on achieving your fitness goals.
After all, haven't you waited
long enough?

FREE VIDEO & BROCHURE
CALL: 1-800-942-1890
Ext. T1PA5

NordicTrack Challenger™ only \$339.95!
NordicTrack Sequoia™ only \$429.95!
NordicTrack Excel™ only \$499.95!
Other models priced from \$599.95*

NordicTrack
A CML Company

The World's Best Aerobic Exerciser®

*Prices do not include shipping, handling, and tax.

- Please send me a FREE video & brochure
My main fitness goal is (check one) Weight loss
 Shaping & toning Cardiovascular fitness Overall health

Name _____
Street _____
City _____ State _____ Zip _____
Phone () _____

Call or send to: NordicTrack, Dept. T1PA5
104 Peavey Road, Chaska, MN 55318-2955
©1995 NordicTrack, Inc., A CML Company • All rights reserved.

Woodworker's Marketplace



All woodworking kits come with detailed instructions and complete hardware.

- Buckboard Bench Kit (42"x 22", regular seat height) real springs, steel arms and backrails **49.00**
- Miniature Buckboard Bench Kit (20"x7"x12") 2 miniature steel springs **19.00**
- 1901 Coaster Wagon Kit (40"x 21"x16") 4 high impact red wheels, axles and hitch **69.00**
- Irish Mail Handcar (34"x16"x16") 4 high impact red wheels, crank axle, nylon bushings **59.00**

All prices include shipping UPS

The Roudebush Company
PO BOX 348A • STAR CITY, INDIANA 46985
800-847-4947

Circle No. 1085



THE ONLY COMPLETE WET GRINDING AND SHARPENING SYSTEM



Straight Edge Jig Planer/Jointer Blade Jig Turning Tool Jig



Gouge Jig Knife Jig Scissor Jig

- PLUS other jigs to help you grind, hone and polish all your edge tools like a professional.
- Water cooled SuperGrind stone can be switched from fast grinding at 220 grit to fine grinding at 1000 grit using the TORMEK Stone Grader.
- Genuine leather SuperSharp honing wheel gently removes the burr and polishes the edge to a razor sharpness.

Europe's favorite wet grinding system.

For complete details: 1-800-5-TORMEK or 1-800-586-7635
TORMEK USA, 14205 W. Wisconsin Ave, Elm Grove, WI 53122

Circle No. 195



Quality Kiln Drying

It's Easy and Affordable with a Nyle DH Kiln!

Call today for **FREE FACTS** on our L-Series dehumidification kilns.



FINANCING AVAILABLE

- ◆ Made for small operations
- ◆ Compact and easy to operate
- ◆ Unbeatable power and quality

nyle 800-777-NYLE (207)989-4335

P.O.Box 1107, Bangor, ME 04402-1107 USA

Circle No. 1260

FULL SIZE PATTERNS FOR WOODEN YARD SWINGERS



Catalog \$1.00 **FREE** with order

The Winfield Collection
Dept W25, 112 E. Ellen St.
Fenton, MI 48430

VISA, M/C, DISC 1-800-WINFIELD

Circle No. 480



The Portable Sawmill.

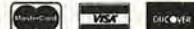
The "affordable portable" one man band sawmill. Weighs only 45 lbs. Cuts 20" diameter logs into lumber. Minimum 1/8" to maximum 9" thickness. 14"W x 9"H throat capacity. Write or call for free brochure. Videos also available.



Better Built CORPORATION

(508) 657-5636

845 Woburn St., Suite 3, Dept. W2, Wilmington, MA 01887



Add that **Distinctive Look** to your woodworking projects. Quality handcrafted, yet reasonably priced panels. Many finishes & designs. Do-it-yourself materials, tool Colorful catalog \$5.00; w/ 12-pc. sample-pack \$19.95 ppd. MasterCard/ Visa accepted.

pierced tin

Country Accents®, P.O. Box 437, Dept. WD/295, Montoursville, PA 17754 • Ph. (717) 478-4127

Circle No. 1910

TAKE CHARGE

Be your **OWN** boss
Minuteman Furniture
Restoration Business!

EARN \$200-\$2000 A DAY

FREE Seminar · Ongoing help
Wholesale Supplies · Franchise
Advantages · No Fees!

28 Successful Years - 3000+ Shops!

START \$5-\$15,000

for catalog send \$2.00:

MINUTEMAN, STE. 17

P.O. Box 8 • Waterloo, WI 53594

1-800-733-1776

Circle No. 1661

Woodworker's Marketplace is a section of advertisers offering products by mail. Please contact the advertisers directly or use the number below each ad to request information through the Woodworker's Resource section.

CRAFTSMAN EQUIP YOUR SHOP AT GREAT SAVINGS

Catalog of over 700 plans to build your own tools, \$1.00, refundable



A wide variety of plans from complete machines & attachments to handtools for home, school & commercial shops. Featured also are accessories for wood and metal cutting lathes, drills, saws, sanders etc., plus things to make of wood and metal.

WOOD-MET SERVICES

3314 WEST SHOFF CIR. DEPT. WOOD
PEORIA, ILLINOIS 61604

Circle No. 496

HARDWOODS EXOTIC & DOMESTIC OVER 75 SPECIES

LUMBER • VENEER • TURNING STOCK

COLLECTORS SAMPLE KIT

30 GORGEOUS WOODS \$39.00
Exotic & Domestic from Around the World
1/2" X 3" X 6" Sanded Finish *ppd in Cont US

Together with Book \$51.00
of Fine Hardwoods *ppd in Cont US

Over 70 woods shown in full color. Charts compare physical properties. 60 pgs



1-800-423-2450
WOODWORKERS Source

5402 S. 40th Street • Phoenix, AZ 85040
SATISFACTION GUARANTEED

Circle No. 598, 2090

CONVERTIBLE SUNSPACE



INSULATED WINTER SUNROOM CONVERTS TO A SUMMER SCREEN ROOM!

MOUNTS READILY ON DECKS, PATIOS, OR TIES.



Send \$2 for Color Catalogue, Prices, SENT FIRST CLASS MAIL.

VEGETABLE FACTORY, INC.,
P.O. Box 1353, Dept. WOO
Stamford, CT 06904-1353

Circle No. 2078

Classic Heirloom Cradle

Two Cradle Plans
One for Babies
One for Dolls

You can easily build this classic cradle which will become a cherished family heirloom to pass from generation to generation. Two sizes available... Baby or Doll.



Full Size Plans

Baby size Plan (21 x 35) \$14.95 ppd.
Doll size Plan (10 x 18) \$8.95 ppd.

Spindles available in Oak or Maple. See our catalog which is sent free with your order.

M/C VISA orders call toll-free 1-800-292-8296
ARMOR Box 445 A, East Northport, NY 11731

Circle No. 315

TAKE A CLOSER LOOK

PERFORMAX 16-32



Made in U.S.A.

You'll enjoy taking a closer look at your finished project when it's been sanded by a PERFORMAX 16-32. This space-saving benchtop drum sander will surface, dimension and finish sand to a flawless finish. Easy-to-wrap, non-adhesive abrasive strips range from 36 to 220 grit. Sand stock as wide as 32" in two passes, as short as 2 1/4", and as thick as 3". Scroll saw cut-outs can be sanded in seconds.

A PERFORMAX 16-32 Will Exceed Your Expectations. See a demonstration at the dealer nearest you. Call for brochures on our complete line of drum sanders.

1-800-334-4910 OR (612) 895-9922
or write: PERFORMAX PRODUCTS, WD08
12257 Nicollet Ave. So., Burnsville, MN 55337

Circle No. 78

SQUARE DRIVE SCREWS

Simply the Best!

- Square Drive Beats Driver Slippage
- Hardened Steel for Extra Strength
- Deep Thread for Super Grip
- Also Stainless and Brass

Send \$3 for Samples and Catalog



McFEELY'S P.O. Box 3
SQUARE DRIVE SCREWS Lynchburg • Va • 24505
1-800-443-7937 or FAX (804) 847-7136

Circle No. 2450

The Kreg Jig®

Quality made in the U.S.A



1) Clamp stock in jig.



2) Drill (only one joint member)



3) Drive self-tapping screws.



Finished...without clamping and waiting for glue-up!!!

Pocket Hole Joinery
Faster...Stronger...
Simpler...Better!!!

Why are both professional woodworkers and enthusiasts alike replacing dowel and biscuit joints with the pocket hole? Because pocket hole joinery provides greater speed, strength, simplicity and continuity, while still producing a very attractive joint. With the Kreg Jig you'll produce more projects in less time and with fewer tools. See what we can do for you. Use reader response or call for a free catalog.

See tool review in January issue!

800-447-8638

Dealer Inquiries Welcome.



Circle No. 877

Woodworker's Marketplace

Committed!
To AMERICAN QUALITY!
 As a serious woodworker, you know the difference between cheap cutting tools and **Top Quality American Made cutting tools.**
 . . . Eagle America knows the difference too.
For FREE catalog call:
1-800-872-2511
 Dept. WD295



All new 1996 Master Catalog

Circle No. 1320

***FREE PLANS**
 for Woodworkers



***FREE Plans for:**

- Sliding Glass Door Lock
- Yard Whirlygig
- Trapeze Tumbler
- Two Table Saw Cars
- Dalmatian Decoration

*Send \$2.00 for our catalog and we will include a FREE project plan featuring full sized patterns for six different projects (\$7.99 value). Our catalog offers over 400 woodworking plans for furniture, country projects, toys, lamps, whirlygigs, and many other indoor and outdoor projects. We are the #1 plan source for the woodworking hobbyist.

I am enclosing \$2.00. Please send catalog and plans for six projects.

Name _____
 Address _____
 City _____ State _____ Zip _____

Meisel Hardware Specialties
 P.O. Box 70 B2
 Mound, MN 55364-0070

Circle No. 401

**HEGNER...
 F-A-S-T
 BLADE CHANGES!**

Now you can enjoy the fastest, easiest and most reliable blade changing system available! Find out about HEGNER Scroll Saws and their many advantages.
 Call or write for FREE information today!

1-800-220-4264
 In Canada 800-220-6545

Advanced Machinery
 P.O. Box 312, Dept. 657
 New Castle, DE 19720

Circle No. 3

**Haven't You Always
 Wanted A Weather Station?**

Temperature, Barometric Pressure, Wind Speed, Wind Direction, Wind Chill, Highs and Lows, Alarms, Rainfall Option, Humidity Option, Computer Interface Option



For more information or a free catalog, call
1-800-678-3669
 or write
DAVIS INSTRUMENTS
 3465 Diablo Ave., Hayward, CA 94545 WM250D

GREAT IDEA!

"This has to be the most attractive and practical way yet to cover a pickup bed."

A key locked roll-up hard cover that's weathertight.



for free brochure on the **ROLL-TOP-COVER™**
 call or write: Pace-Edwards Co.
 100 Commercial Street
 Centralia, WA 98531
1-800-338-3697

Circle No. 1985

Quality
MECHANISMS
 For Making
WOODEN BARREL

- Pens
- Pencils
- Roller Balls
- Fountain Pens

plus other related items.
Wholesale/Retail
 Call or Write:
Berea Hard Woods Co.
 6367 Eastland Rd. Brookpark, Ohio 44142
 216-234-7949 Master Card/Visa

Circle No. 510, 1900

**Supplement Your Income
 From Your Home
 With A Computer!**



Begin part-time and still retain the security of your present position. We offer 20 services you can perform for your community from your home. No experience necessary—easy to learn. We provide training and computer. For FREE explanation cassette and literature call:
1-800-343-8014, ext. 184
 Computer Business Services, Inc.

Woodworker's Marketplace is a section of advertisers offering products by mail. Please contact the advertisers directly or use the number below each ad to request information through the Woodworker's Resource section.

Projects For A Long Winter

- 1) 102 Birdhouses & Feeders \$ 9.95
- 2) Set of 4 Picnic Table Plans \$ 9.95
- 3) Unique Playhouse w/11 Designs \$12.95
- 4) Farm & Dutch Style Windmills \$12.95
- 5) How to Build Outdoor Structures \$19.95

* 40 Projects w/step-by-step instructions; tips, techniques, detailed drawings of sheds, decks, fences, gazebos, & more. A Popular Science Book

Add \$2.00 per item S/H, U.S. funds only
Foreign orders add 15%; IN Res. add 5%

Catalog \$3.00 Over 600 Plans, Projects
Patterns & Tools. Free w/\$20 order.

1-800-576-9174 Visa/MC

1-317-841-7348 Fax

Creativecraft Plans

9654 Cedar Cove Ln., Ste. 51

Indianapolis, IN 46250

An Authorized Dremel Distributor



One-Man Sawmill Turns Timber Into Cash!



30-DAY FREE TRIAL!

Sawmill goes right to the trees...turns out smooth, true-cut lumber - even beginners get excellent results. Just one man (no crew needed) can easily cut enough on weekends to save hundreds of dollars over high lumberyard prices. Factory-Direct selling keeps price low...easy terms...made in USA.

PHONE TOLL FREE 1-800-942-4406 Ext. SW24
TIMBERKING, INC. DEPT. SW24
1431 N. TOPPING, KANSAS CITY, MO 64120

HEIRLOOM TOYS



- Original designs by professional toy maker featured in Wood magazine
- Collectors' and children's toys
- Patterns, parts and wheels
- Catalog \$2. Free with order
- Introductory Offer: Send \$18.95 for Train, Tender and Track Patterns

Baldwin Toy Co., Inc.

P.O. Box 37014 Omaha, NE 68137-0014
Dept. WDO

Circle No. 330

Circle No. 320

STEVE WALL LUMBER CO.

Quality Hardwoods and Woodworking machinery For The Craftsman and Educational Institutions

Ash	4/4	Select	2.15	\$ 67.00
Basswood	4/4	Select	1.70	\$ 57.00
Birch	4/4	Select	2.25	\$ 69.00
Butternut	4/4	1C	1.85	\$ 59.00
Cherry	4/4	Select	3.00	\$ 83.00
Hickory - Pecan	4/4	Select	1.80	\$ 61.00
Mahogany (Genuine)	4/4	Select	3.15	\$ 86.00
Maple (Hard)	4/4	Select	2.35	\$ 71.00
Maple (Soft)	4/4	Select	1.80	\$ 59.00
Poplar	4/4	Select	1.55	\$ 54.00
Red Oak	4/4	Select	2.35	\$ 70.00
Walnut	4/4	Select	3.00	\$ 85.00
White Oak	4/4	Select	2.30	\$ 69.00
Cedar (Aromatic Red)	4/4	1C+Bir.	1.55	\$ 56.00
Cypress	4/4	Select	2.10	\$ 64.00
White Pine	4/4	F.G.	1.10	\$ 45.00
Yellow Pine	4/4	Clear	1.55	\$ 55.00

Above prices are for 100' quantities of kilndried rough lumber sold by the Bd. Ft. FOB Mayodan, NC. Call for quantity discounts. Other sizes and grades available.

Above prices are 20 bd. ft. bundles of clear kilndried lumber 3'-10" wide • 3'-7" long (Random widths & lengths) Surfaced 2 sides or rough. Delivered UPS prepaid in the Continental U.S.

LOG RUN SPECIALS

100 bd. ft. Bundle

4/4 Cherry \$120

4/4 Walnut \$140

Add \$20 for S2S

Motor Freight Only

FOB Mayodan

**UPS
Specials**

STEVE H. WALL LUMBER CO.

BOX 287

MAYODAN, N.C. 27027

910-427-0637

1-800-633-4062

FAX 910-427-7588

Send \$1.00 For Lumber Catalog

Circle No. 592

THE ULTIMATE LAPPING & SHARPENING SYSTEM

Complete System for \$190, includes:

- Grooved Lapping Plate
- Smooth Lapping Plate
- Aluminum Holding Tray
- 280 grit Sil. Carbide 45 gm
- 600 grit Sil. Carbide 45 gm
- 10 micron Diamond 5 gm
- 3 micron Diamond 5 gm
- Lapping & Stone Oil, 4 oz

*Catalog of other fine tools \$1, refundable with first order.

*All tools have a lifetime guarantee.

HARRIS TOOLS

1-800-449-7747

Circle No. 118

**Clocks
Make
Great
Gifts!**



Get a **FREE Clockmaking Catalog** featuring kits, movements, dials, plans, and components.

Call or send for your catalog today so you can get started on those wedding, graduation, and birthday gifts.

Call 1-800-556-2548

Name _____
Address _____
City _____
State _____ Zip _____
Phone (____) _____

KLOCKIT Dept. WD25
P.O. Box 636
Lake Geneva, WI 53147

Circle No. 2335

Woodworker's Marketplace

FREE WOODWORKING CATALOG

Rated #1 in USA

100%
Made
in USA

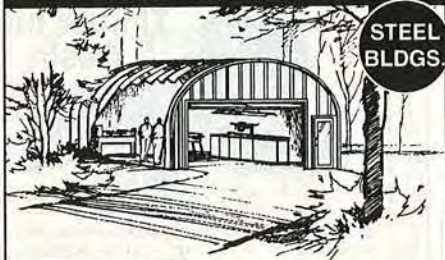
- Hawk Precision Scroll Saws
- "4-in-1" & "3-in-1" Woodplaners
- The BEST accessories, blades, books & much more

FREE CATALOG • CALL 800-487-2623

rbindustries
The American Tool Manufacturer
1801 Vine St. • Harrisonville MO 64701 E95

Circle No. 84

LAST CHANCE 1994 CLEARANCE



SAVE UP TO 45%

Buy factory Direct: 20 x 36 • 25 x 42
Build it yourself! 35 x 56 • 50 x 124

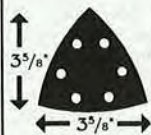
800-888-4606



Circle No. 2030

Supergrit® SANDPAPER

Only 35¢ Each



FOR BOSCH B7000
DETAIL SANDER
Hook & Loop, Vacuum
Alum. Oxide \$17.50/50
Grits 50, 80, 120,
Assorted.

- DISCS - H&L, PSA, VAC
- DRUM SANDER HOOK & LOOP ROLLS
- BELTS - AO, SC, ZIR
- ROLLS - Jwt, Xwt, Cloth A, E, Fwt Paper
- SHEETS - AO, SC, GARNET, EMERY

For Wood, Autobody and Metal

FREE 28 PAGE CATALOG
& Incredible close-out sheets.
Best prices and shipment.

RED HILL CORP.
P.O. BOX 4234
GETTYSBURG, PA 17325 800-822-4003

Circle No. 1267

Seven different cuts
with one bit & one low price!

CMT's Rabbet-Master Plus™!

New!



Cut 6 rabbets!

1/2" 7/16" 3/8" 5/16" 1/4" 1/8"

And
Flush Trim!

CMT saves you money by giving you more work from our bits! Our new, expanded Rabbet-Master Plus cuts rabbets from 1/8" to 1/2" deep and flush trims as well! The set includes one of our 1-3/8" diameter carbide tipped rabbeting bits, seven ball bearings and an allen key. If you already have our popular six-bearing Rabbet-Master, ask about our upgrade kit.

Item	Description	List	Sale
800-639	1/4" Shank Rabbet-Master Plus	\$61.80	\$36.90
800-640	1/2" Shank Rabbet-Master Plus	\$65.80	\$39.90

The color orange on router bits is a registered trademark of CMT Tools

Shipping and Handling \$5.00

CMT TOOLS
310 Mears Boulevard
Oldsmar, FL 34677

Call toll-free 24-hours a day:

1-800-531-5559

Toll-free FAX: 1-800-870-7702

813-891-6160, FAX: 813-891-6259

Dealer & export inquiries welcome
In Canada call 1-800-387-7005



Circle No. 1310

One Stop Wood Shop

Domestic and exotic hardwood plywood and lumber, marine plywood, over 30 species in stock—all under one roof.

Custom cutting services to your exact specifications with little or no waste at competitive prices! We specialize in bundling and shipping.

Call (617) 666-1340 today for catalog and quote.

Boulter Plywood Corp.
24-WD Broadway, Somerville, MA 02145

Circle No. 512

For All Your Woodcarving & Sign Carving Needs

Terrco provides a full line of machine carving and sign carving equipment. Beginning models are the T-110 single spindle bench carver and our CM614 single spindle sign carver.

Intermediate models include the K-Star, a two-spindle heavy duty bench model, and the Northstar, a heavy duty floor model available in one to eight spindles.

Our advanced model is our Master Carver series, which is an extremely heavy duty floor model with from eight to forty spindles.

Write or call for more information.

Terrco, Inc.

222 1st Ave. NW
Watertown, SD 57201
USA

(605) 882-3888

Fax (605) 882-0778



Model T-110 Dupli-Carver



Model CM614 Sign Carver



Multi-Spindle Carving Machine

Circle No. 2150

Woodworker's Marketplace is a section of advertisers offering products by mail. Please contact the advertisers directly or use the number below each ad to request information through the Woodworker's Resource section.

The Japan Woodworker's Catalog is . . .

loaded with the best tools you can get your hands on. In our catalog you will find a huge selection of Japanese saws, waterstones, chisels, planes, carving tools, cutlery and books. Send \$1.50 for our catalog and supplements during the next two years.

THE JAPAN WOODWORKER
1731 Clement E-31, Alameda, CA 94501
Phone 1-800-537-7820

Circle No. 190

Oscillating Spindle Sanders

for discriminating woodworkers who demand the best

FREE Color Catalog
1-800-971-5050



CLAYTON™
MADE IN USA

Circle No. 18

Free Hardwoods Catalog

Offering high quality exotics, and an exciting variety of domestic hardwoods, turning squares, mouldings, veneers and free form lumber.

1-800-320-6519



Willard Brothers
Woodcutters

300 Basin Road Trenton, NJ 08619

Circle No. 595

DINOSAUR ROCKERS

Full Size Patterns
\$10.00 for one - \$18.50 for both
CA Res. add 8.25% sales tax.



Brontosaurus "PT102B"
31hx42wx12d"

T. Rex "PT101B"
27hx40wx12d"

McMillan Co.
P.O. Box 3713
Rancho Cucamonga, CA 91729



Sports Executive Country
Victorian Wildlife Religious

FREE PATTERNS

For each insert purchased choose 1 pattern theme from the 6 above. 5 FREE patterns per theme.

A fantastic introductory offer for the hottest new craft project around!

- Quick & Easy • Fun & Profitable
- Turn your scrap wood into BIG profits!

Insert Prices	Inserts are:
1+ \$9.95	1 3/8" diameter
5+ \$8.95	3 hands • white dial • Arabic
10+ \$7.95	Additional Insert sizes & dial styles available!
25+ \$6.95	

\$3.00 S&H Per Order
Free 40-page color catalog with order

The Berry Basket
P.O. Box 925-W6 • Centralia, WA 98531
800-206-9009 • Fax 206-736-7336

Check, MO, Visa/Mastercard accepted

Circle No. 323

VIDEO CATALOG OF HISTORIC SHIP MODEL KITS



Discover the world's oldest and most rewarding hobby... model ship building! Watch our 25-minute VHS video and learn the secrets of building museum quality wooden ship models. You'll see the finest selection of authentic ship models- superb replicas you build yourself- close up and in incredible detail. Even if you've never built a model before, you can create a magnificent keepsake to be treasured for many generations. Send \$5.00 for your video today! (Refundable with your first order.) **Free with your video!** 92 page color catalog of ship model kits and accessories.

MODEL EXPO, INC. Dept. WD25
P.O. Box 1000, Mt. Pocono Industrial Park,
Tobyhanna, PA 18466-1000
Enclosed is \$5.00, to be refunded with my first order.

Name: _____
Address: _____
City: _____ State: _____ Zip: _____
Item No. SST900C
© Model Expo, Inc. 1993

Van Dyke's

Presents a Catalog

with supplies for upholstery, antique restoration, wood working, caning, brass hardware, carvings and many related trades!

40 Years in Creative Arts & Trades

Many Hard-To-Find Items!

SEND \$1.00 FOR CATALOG TO:
VAN DYKE'S RESTORERS
Dept. D55, P.O. Box 278, Woonsocket, SD 57385



VAN DYKE SUPPLY COMPANY
SUPPLIES FOR CREATIVE ARTS AND TRADES

Circle No. 2077

Woodworker's Marketplace



Build this Adirondack furniture with our easy to follow instructions, material list, cutting diagram and FULL SIZE TEMPLATES
 New Adirondack Tele-A-Tele \$12.95
 Adirondack Chair 10.95
 Adirondack Footstool 4.95
 Add \$3.00 Shipping & Handling

Specialty Furniture Designs

797 W. Remus Road, Dept. W-29
 Mt. Pleasant, MI 48858 • 1-800-892-4026
 Color Catalog \$3.00, free with order. Visa/MC/Disc. MI add 6%

Circle No. 445

BREATHE EASIER...

Protection for Eyes, Face, Lungs
 IDEAL FOR WOODWORKERS



AIRLITE™ Air Visor

7 cfm Airflow

\$244

Includes freight, battery charger

AIRMATE 3

8 cfm Airflow

\$339

Includes freight, battery charger



- Refreshing flow of cool, filtered air.
 - Lightweight. • Unrestricted vision.
 - Accommodates glasses & beards.
- Ask about systems for paint & lacquer fumes!

AIRSTREAM DUST HELMETS

Box 975 • Elbow Lake, MN 56531

Credit Cards Accepted **1-800-328-1792**

Circle No. 1207

WOOD TOY

- ★ Patterns
- ★ Parts
- ★ Wheels
- ★ Many New Patterns to Choose from.
- ★ Executive toys



SEND \$1.00 FOR NEW CATALOG

toys and joys

Box 628 w Lynden, Wash. 98264

Circle No. 465

OWN A MACHINE SHOP

Do your own machining and shop work with a Smithy 3-in-1 Lathe • Mill • Drill



FIX IT YOURSELF!

- Easy to use!
- Save Money!
- Save Time!
- As low as \$1095

For FREE Catalog Call: **1-800-4SMITHY**

1-800-476-4849
 (Ask for operator Wood)



or write:
 Smithy Dept. Wood
 3023 E. 2nd Street
 The Dalles, OR 97058

Dunham Hardwoods

Specializing in Red Oak

- Kiln Dried Exotics & Domestics
- 22 Species in various thicknesses and grades
- Example: 4'-6" Clear 4/4 Red Oak surfaced & straight lined one edge - \$2.15/bd. ft.
- Finishes, wood pegs, buttons, hardwood dowels, etc.
- Ship UPS or common carrier

Call or Write For Free Information

Phone: 712-643-5320 R.Rt.1, Box 126
 FAX: 712-643-2142 Dunlap, IA 51529

Circle No. 530

FREE BROCHURE!



★THE WOODWORKING SHOWS★
 machinery • tools • supplies

VISIT THE SHOW NEAR YOU!

- | | | |
|-------------------|----------------|-----------------|
| •Atlanta | •Denver | •Milwaukee |
| •Buffalo | •Harrisburg | •No. California |
| •Charlotte | •Houston | •St. Louis |
| •Chicago | •Indianapolis | •So. California |
| •Columbus | •Kansas City | •Tampa |
| •Dallas/Ft. Worth | •Massachusetts | •plus others! |

Call for free brochure

Monday - Friday 8:30 am - 5 pm Pacific Time
 1-800/826-8257 or 310/477-8521

Circle No. 2095

Wood Moisture Meter

Professionals and hobbyists can choose from 8 different Mini-Ligno moisture meters:



Versatile
 Affordable
 Sturdy!
 Over 100,000 units sold.

Also introducing
 New Mini-Ligno XL
 For brochure contact:

Lignomat USA, Ltd. PO Box 30145
 503/257-8957 800/227-2105 Portland, OR 97230

Circle No. 1250

DEWALT NEW

DW930 - 12V 5 3/8 Cordless Circular Saw

DW930K 12V 5 3/8 Cordless Circular Saw Kit \$209
 DW935 14.4V 5 3/8 Circular Saw Kit \$249
 DW682K Biscuit Joiner Kit w/ \$40 Free Biscuits \$249
 DW705 12" Comp. Miter Saw w/ \$74 Free Access. \$379
 DW444 6" Random Orbit Sander PSA PAD \$149
 DW443 Same as above w/ H & L PAD \$149
 DW974K2 12V Cordless Drill Kit w/ Free Bit \$197
 DW421 5" Random Orbit Sander \$79

Some stock limited quantities • Prices subject to change

1-800-262-5482

SAME DAY SHIPPING
 FREE FREIGHT

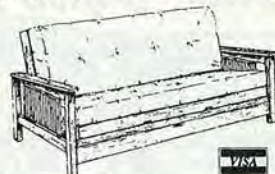
HOME LUMBER CO.

Full Line DEWALT DEALER

P.O. Box 370
 C.O.D. WHITEWATER, WI 53190

Circle No. 48

Full-Size Professional Plan MISSION STYLE FUTON FRAME



Beautiful and unique! With stay-in-place action, Futon Frame stays against the wall, converts easily from sofa to queen size bed. Overall size: 89" long, 41" deep and 41" high.

Plan #720 \$28.00
 Catalog of plans (Free with order) . . . \$3.00

Fine Furniture Plans Since 1968
FURNITURE DESIGNS, INC., Dept. BF-25
 1827 Elm Dale Ave., Glenview, IL 60025 - (708) 657-7526

Circle No. 345

Woodworker's Marketplace is a section of advertisers offering products by mail. Please contact the advertisers directly or use the number below each ad to request information through the Woodworker's Resource section.

Introducing the
"Sweetheart Line"



PATTERN #TB 126

from Heritage Wood Products

Build this beautiful and unique 48" round table set and be the envy of all your friends and family. Full size pattern just \$14.95 plus \$2.00 shipping and handling. Send check or money order to: **Heritage Wood Products**, 840 S. Central Ave. Lodi, CA 95240. CA residents add 7.75% sales tax

Circle No. 371

MAKE IT MOBILE

WITH HTC MOBILE MACHINE BASES

For a FREE Full-Color Catalog of HTC's Complete Product Line Call: 1-800-624-2027



Circle No. 1245

BRANDING IRON

For hard and soft wood



\$2900

Plus \$3.00 for shipping and handling. CA residents add correct sales tax.

SATISFACTION GUARANTEED or your money back

- Shipped in one week
- Solid brass head — raised letters
- 1st Line: HAND CRAFTED BY — as above
- 2nd Line: Your choice — 20 characters/spaces max.
- Electric iron available for \$49.00 + \$3.00

ORDER TOLL FREE . . .

1-800-826-7606

Order by mail from: **NOVA TOOL CO.**
P.O. Box 2791 Dept. BH
Dublin, CA 94568



Circle No. 160



WOODWORKER'S CATALOG

Over 4000 products to **BUILD, REPAIR, RESTORE, REFINISH** anything made of wood!

It's the catalog woodworkers rely on—120 pages jam-packed with fine woods, veneers, tools, finishing supplies and much more—all top quality, all reasonably priced, all with our 60-day no-questions-asked guarantee. For your 2-year subscription send \$1.00 to:



2050 Eastchester Rd., Dpt. 35502, Bronx NY 10461

Circle No. 820



FULL SIZE WOODCRAFT PATTERNS

Over 1500 designs grouped into 78 jumbo blueprint sets!+

Fun • Profitable • Fast Service • Satisfaction Guaranteed

- Start now! Pick from our most popular pattern sets & order today!
- 200 "CREATIVE CUT" Patterns for Scroll, Band or jigsaw.
- 125 pattern BEGINNER'S BONANZA plus "Shop Secrets".
- COUNTRY CRITTERS - 100 Patterns, decorative projects!
- Attractive DUTCH WINDMILL - 5 feet tall.
- 4' GARDEN BENCH converts to 1/2 PICNIC TABLE.
- Create over 20 "Quick and Easy" BIRD HOUSES.
- SHOW STOPPERS II - 22 Craft Show best-sellers!
- 100 YARD ORNAMENTS - Animals, birds, signs & much more!
- 25 Fun & profitable "wind-action" WHIRLIGIGS.
- 3' EASTER Bunny, Easter egg, flowers, chicks & more!

Each set includes: Patterns • Material Lists • Painting & Finishing Information • PLUS - Tips and Techniques!

Send \$8.00 per set • Pick 3 for only \$18.00 or 6 for only \$34.50 - MC/Visa - 24 Hour Fax (603) 332-4579

ACCENTS, Dept. MA25, Box 7387, Gonic, NH 03839

ILLUSTRATED CATALOG - \$2.00 (Free with order)

Circle No. 310

Heavy Glass Table Tops

FACTORY DIRECT DISCOUNT PRICING



- Table Tops
- Shelves
- Doors
- Display Cases
- Entertainment Centers
- Tempered Glass

TABLE TOPS BY PHONE

SATISFACTION GUARANTEED!

WGB GLASS ■ SHAPES ■ THICKNESSES ■ EDGE DESIGNS

FOR FREE IDEA CATALOG AND PRICE LIST SEND POST CARD TO:

WGB GLASS 19785 W. 12 MILE RD., STE. 357
SOUTHFIELD, MI 48076

TO PLACE ORDERS: CALL 1-800-288-6854

DRY YOUR OWN LUMBER...



...With an EBAC Wood Drying System



CALL TODAY 1-800-433-9011



EBAC LUMBER DRYERS
106 John Jefferson Rd., Suite 102
Williamsburg, VA 23185

1-800-433-9011 • FAX (804) 229-3321
in Canada: (905) 985-2123 • FAX (905) 985-3708

Circle No. 1228

Like Working With Wood?

Assemble and Finish Your Own Colonial Times Grandfather or Wall Clock



- Complete Kit and Instructions
- Pre-cut and Pre-drilled
- Models Available in Solid Ash and Cherry
- Large Selection of Clock Movements

Colonial Times Clock Company

Canada's Premier Clock Kit Company

550 Parkside Dr., Waterloo, Ontario N2L 5V4

1-800-263-TIME (8463)

Circle No. 2325

CAN'T FIND SCROLLSAW PLYWOOD?

WE'VE GOT IT WITH LOW PRICES AND FAST SERVICE

TOLL FREE 1-(800) 524-4184

THE WOOD SOURCE

HERITAGE

Building Specialties

205 N. CASCADE, FERGUS FALLS, MN. 56537 FAX: (218) 739-5799
OUR CATALOG FEATURES OVER 300 OTHER ITEMS!

Circle No. 550, 1040

Woodworker's Resource



You can get useful ideas and product information by mail. Use the coupon in this section to order your choice of literature listed below. Each company mails the catalogs or information directly to you.

POWER TOOLS

ABBEY TOOLS—The much-requested, long-awaited, you'd-better-hold-on-to-this-one-because-who-knows-when-we'll-print-another-tool-catalog, is here. Packed with 1000's of top brand name power tools and accessories—all at the lowest possible prices. Whether you are a beginning woodworker or an old pro you'll find just the tool you need. Remember—if you can plug it in, we've got it! **ABBEY TOOLS**. \$1.00. *Circle No. 2.*

SCROLL SAW, CRAFT & WOODWORKING CATALOG—Specialty products from the exclusive distributors of HEGNER, the precision saws with SCROLLVERGUEGEN. Complete information on scroll saw accessories, including blades and lettering guides. Also ZYLISS Portable Vise, HEGNER Lathes, PLANO Vertical Glue Press, and more. Toll-free customer service hotline included! **AMI, LTD.** \$2.00. *Circle No. 3.*

TRANSPower, CP TOOLS INC.—A fine line of quality woodworking machinery, saws, shapers, planers and more. Send for free catalog. **CP TOOLS INC.** Free. *Circle No. 15.*

CLAYTON MACHINE—Sand curved pieces with ease. New American-made oscillating spindle sander features many unique details. Quality built, for a lifetime of enjoyable and dependable service. Dust collector hook-up, ground steel top, dynamically balanced spindle with sealed oil-bath cam and quick change drums are all standard. Several models to choose from. Catalog. **CLAYTON MACHINE**. Free. *Circle No. 18.*

TOOLS AND ACCESSORIES—120 page color catalog features Record lathes, Porter-Cable routers, sanders, saws, drill-drivers, pocket hole cutters, grinders, biscuit joiners, Vega lathe duplicators and saw fences, Vacu-Presses and more. Best quality, fairly priced, every tool backed by our 182 years' experience and 60-day money-back guarantee. 2 year subscription. **CONSTANTINE'S**. \$1.00. *Circle No. 20.*

ENLON IMPORT CORP.—With our exclusive manufacturer, we offer the best deals for your woodworking needs. A large selection of Fine Woodworking Machinery, Tools and accessories for your home and business workshop. Check out our seasonal sales for your life time savings. Catalog. **ENLON IMPORT CORP.** Free. *Circle No. 35.*

INCA MACHINERY INFORMATION—Complete information on the famous line of Inca woodworking machines. Designed for precision work by the small to medium sized cabinet shop. Used by thousands of hobbyists and professionals. Table saws, bandsaws, joiner/planners, dust collector, radial arm saw. **GARRETT WADE CO.** Free. *Circle No. 44.*

HARBOR FREIGHT TOOLS CATALOG—The finest professional quality tools and equipment at the lowest prices...GUARANTEED! Our NEW Woodworking catalog has been expanded to contain hundreds of additional brand name woodworking tools & supplies. See why millions of woodworking professionals and Do-It-Yourselfers have shopped at Harbor Freight Tools for over 27 years. **HARBOR FREIGHT TOOLS**. Free. *Circle No. 46.*

HOME LUMBER—For the largest selection of Makita at the right price. We also provide great pricing on Amana Carbides, DeWalt power tools, Bostitch Air Nailers & David White Instruments. Same day shipping, free freight. We accept Visa, Mastercard, Discover, COD. Send for information. **HOME LUMBER**. \$1.00. *Circle No. 48.*

WOODWORKING CATALOG—Penn State Industries offers a unique line of woodworking products. The new 32-page full-color catalog contains many products no other company offers. Exclusive products include: air cleaning systems, dust collection systems, pneumatic woodworking tools, wood carving products, scroll saws and accessories, planers, drill presses, abrasives, and much more. **PENN STATE INDUSTRIES**. Free. *Circle No. 75.*

DUST COLLECTOR SYSTEMS—Keep your shop clean and safe from saw dust with one of our large capacity

Commercial Style Dust Collection Systems. Catalog features our new DC-3 1-1/2 H.P. Portable System. Free hose and adapters are supplied with any purchase. Full line of Dust Collection accessories is available from Penn State Industries. Catalog. **PENN STATE INDUSTRIES**. Free. *Circle No. 76.*

SURFACE PLANER—Information package available from Penn State Industries describing the specifications and applications of its super 12 1/4 inch surface planer. Special discount pricing available on current promotion. **PENN STATE INDUSTRIES**. Free. *Circle No. 77.*

GET TO THE FINISH LINE FASTER—with a Performax drum sander. Don't spend hours with a hand-held belt sander. Sand ultra-wide stock ultra-smooth in just minutes. Models start at \$300 to \$3495. Select the model that fits your budget and your needs. New metal abrasive fasteners keep sandpaper tight without re-wrapping. **PERFORMAX PRODUCTS**. \$1.00. *Circle No. 78.*

RBINDUSTRIES, WOODWORKING TOOLS & ACCESSORIES—100% Made in USA. The NEW 1994-1995 RBI catalog features the all new HAWK Precision ULTRA Scroll Saws, "4-in-1" and "3-in-1" Universal Woodplaner Systems, and 26" Variable Speed Drum Sander, 38" Drum Sander, the all NEW Panelmaster II Raised Panel Door Machine, Router Tables, Books, Accessories, Patterns, and Much More. When you buy from rbindustries, you're saving big money by buying factory-direct from one of America's premier woodworking tool manufacturers. We stand behind every piece of equipment we manufacture with our exclusive 30-Day, Money Back Guarantee and 5-Year Warranty. Send today for your FREE catalog. **RBINDUSTRIES, INC.** Free. *Circle No. 84.*

MINI POWER TOOL CATALOG—Designed for easy reference, Ryobi's "shirt pocket" Power Tool Catalog includes our complete line of power tools, categorized by type: bench top, cordless, hand-held and stationary models. It features individual tool photographs with specifications and clear descriptions that offer specific uses and benefits. Accessories are also listed. Send for catalog. **RYOBI**. Free. *Circle No. 86.*

TOOLS ON SALE™—A division of Seven Corners Ace Hardware, Inc. offers a catalog of over 400 pages of the most popular brands of power tools available anywhere, all at discounted prices. Included are saws, planers, sanders, routers, drills and more from manufacturers such as Milwaukee, Makita, Porter Cable, Black & Decker, Dewalt, Freud, Bosch, Delta, and many more. Now introducing a full range of Werner brand ladders. Tools on Sale™ division of **SEVEN CORNERS ACE HARDWARE, INC.** \$1.00. *Circle No. 92.*

PORTABLE SAWMILLS—Convert logs into valuable lumber—Wood-Mizer® Products manufactures a line of portable bandsaw mills that allows the novice as well as the experienced sawyer to safely convert standing logs into lumber. Then, with the use of our SolarDry™ Kiln or Vacu-Kiln™ to dry your lumber, you could increase the value of every board you produce. We manufacture some of the most progressive woodworking equipment on the market today. Product videos available. Send for our 31-page catalog. **WOOD-MIZER PRODUCTS**. \$2.00. *Circle No. 94.*

HAND TOOLS

TOOLS THAT MAKE IT EASY!—Turning tools, carving tools, planes, scrapers, clamps, bits, squares, saws, stones, mallets, jigs—every tool you can think of and then some, in Constantine's 120-page full color catalog. \$1 brings you every regular issue for the next 2 years. **CONSTANTINE'S**. \$1.00. *Circle No. 110.*

SPECIALTY HAND TOOLS—A beautiful blend of the old and new. Most made of Brass & Exotic woods with the latest advances in technology. Planes, squares, marking tools, scraper blade sharpeners & burnishers, mallets, sharpening and lapping tools, spokeshaves, bow saws, etc. Catalog price refundable with first order. **HARRIS TOOLS INC.** \$1.00. *Circle No. 118.*

PERSONAL BRANDING IRONS—Brochure describes branding irons that enable you to put your name on your work quickly and easily. Made especially for branding wood, they are available with 1, 2, 3 or 4 lines of copy. Changeable date also available. **NOVA TOOL CO.** \$1.00. *Circle No. 160.*

TORMEK—Made in Sweden, is an advanced wetstone grinding system for all types of edge tools. The system includes jigs to sharpen accurately and safely electric planer knives, plane irons, chisels, turning tools, knives, scissors and axes. The SuperGrind stone grinds quickly without overheating the steel and the SuperSharp

Leather Wheel is ideal for honing. **TORMEK**. Free. *Circle No. 175.*

IMPROVE YOUR WOODWORKING SKILLS!—Craftsmen around the world have discovered the secret of better quality work. The 72 page Japan Woodworker Catalog is loaded with a huge selection of Japanese saws, waterstones, chisels, gouges, carving tools, planes, cutlery and garden tools. Send for 1992 catalog and all supplements for two years. **THE JAPAN WOODWORKER**. \$1.50. *Circle No. 190.*

STAINS/FINISHES

SOLVENT AND WATER BASE FINISHES—Check Constantine's big 120-page catalog for the latest in finishing technology—stains, lacquers, polyurethanes, penetrating finishes, plus gloss and satin varnishes, milk paint, even hard-to-find specialty products like padding lacquer, shellac powder, and gold leaf. \$1 brings you every regular issue for the next 2 years. **CONSTANTINE'S**. \$1.00. *Circle No. 210.*

PLANS

PATTERNS! PATTERNS! PATTERNS!—Huge assortment of popular shop-tested designs! OVER 1500 FULL SIZE PATTERNS conveniently grouped into 78 jumbo blueprint sets. We've also included sketches, material lists, painting & finishing info. PLUS tips & techniques! Beginner or pro will enjoy creating 100's of unique projects for fun or profit. Fast service, satisfaction guaranteed! Illustrated catalog PLUS sample pattern. **ACCENTS IN PINE**. \$2.00. *Circle No. 310.*

WOODWORKERS' PLANS AND SUPPLIES—Wood projects are simplified with the high quality plans, specialty hardware and other supplies offered by Armor Products. Over 100 plans are available for making toys, desks, clocks, pool tables, lamps, chests, and other furniture. Movements, dials, moldings, ornaments, dollhouse kits, door harp products and tuning pins are also available. **ARMOR PRODUCTS**. \$1.00. *Circle No. 315.*

HEIRLOOM WOOD TOY PLANS—You too can build The General train as featured in WOOD, Sept. 1994! Send for our catalog of plans, kits and finished toys. Unique plans for every skill level—arks, cars, trucks, trains and much more. Original designs, by professional toy maker, are based on an exclusive puzzle-concept. **BALDWIN TOY COMPANY**. \$2.00. *Circle No. 320.*

FREE BOOK OFFER!—If you like scroll sawing, here's an offer you can't refuse! Send today for our latest full-color catalog and see how easy it is to qualify for your FREE pattern book with over 400 full-size, top quality clock patterns! These quick and easy projects make great useful gifts for the holiday season or any occasion. Fun and profitable, you'll use these unique, shop-tested patterns time and time again to turn your scrap wood into BIG profits. So, don't delay—send for your catalog today. This FREE book offer is for a limited time. **THE BERRY BASKET**. \$1.00. *Circle No. 323.*

PROJECTS FOR A LONG WINTER—Plans for 102 Birdhouses; a unique Nordic Castle with 11 alternate options; Farm & Dutch style windmills; a Popular Science book of 40 projects with step-by-step instructions; tips, techniques, detailed drawings of sheds, decks, fences, gazebos & more. These name only a few of the projects we offer you in our 1994/95 catalog for the *Home Craftsman*. Many simple, full size patterns to trace and cut. **CREATIVECRAFT PLANS**. \$3.00. *Circle No. 330.*

FULL-SIZE FURNITURE PLANS CATALOG—Illustrates and describes over 200 plans for making furniture of quality found in museums and fine furniture stores. Plans include rollout desk, cradles, dining tables, chairs, buffets, chests, gun cabinets, poker table, children's furniture, rocking horse, spinning wheels, and more. Bill of materials enclosed drawings assist the woodworker. **FURNITURE DESIGNS, INC.** \$3.00. *Circle No. 345.*

FULL-SIZE OUTDOOR FURNITURE PATTERNS—Introducing our "Sweetheart Line" of beautiful, unique, outdoor furniture plans. Build this line and be the envy of all your friends and family. Full-size plans for round, oval, and rectangle table sets, rocking benches and chairs, park benches and chairs with contour seating, loungers, swings, cocktail, coffee, and end tables. Send for info sheet with pictures and price list. **HERITAGE WOOD PRODUCTS**. \$1.00. *Circle No. 371.*

PROJECT PLANS—Full-size patterns for over 750 easy-to-build woodworking projects. Nation's leading source for scroll saw patterns, cow projects, toy plans, yard ornaments, wood furniture, etc. Over 3000 hard-to-find specialty items. Send for big new 96-page full-color catalog. **MEISEL HARDWARE SPECIALTIES**. \$2.00. *Circle No. 401.*

WOODWORKERS—Send for our color catalog with many exciting new plans available. Six styles of bed plans such as 2 Car Beds, Gingerbread Bed, Futon Sofa, Lounge and Bunk/Sofa Combo. New designs in lawn furniture are Adirondack Tete-A-Tete, Patio Rocking Glider, Small Garden Wishing Well, Bird Feeders and Bird Houses. We have added a Doll Cradle, Baby Cradle, Toddler Caster Horse and a variety of craft items. Full size templates, material list, instructions and cutting diagram. **SPECIALTY FURNITURE DESIGNS**. \$3.00. *Circle No. 445.*

WOOD TOY PATTERNS—Patterns for all ages including children's patterns and executive toys. New catalog has many new patterns to choose from including parts and wheels. Send for new catalog today. **TOYS AND JOYS**. \$1.00. *Circle No. 465.*

OVER 2,000 UNIQUE PROJECTS—showcased in our full-color *Woodcraft Pattern* catalog. Create decorative pieces for your home (shadowboxes, shelves and heirloom furniture), ornaments for your yard (holiday cut-outs, birdhouses, mailboxes, planters, whirligigs and wind mobiles), plus our popular **LAYERED ANIMAL, YARD SHADOW** and **SWINGER** designs. The original full-size woodcraft pattern company. **THE WINFIELD COLLECTION**. \$1.50. *Circle No. 480.*

WOOD-MET SERVICES CATALOG LISTS SOME 700 PLANS—to build a wide variety of tools and accessories to equip your workshop. They vary from complete machines to hand tools, photo accessories to shop methods. Included are some 80 attachments for your lathes, drill presses & routers, over 60 hand tools, plus sander, welder, shaper, table saw accessories, etc. Others include a portable band sander, metal spinning tools, air compressor, 3/4" spindle wood shaper, wood lathe & chisels & a 12-in. thickness planer. Send for catalog, order plans, build the equipment for your shop and save. **WOOD-MET**. \$1.00. *Circle No. 496.*

LUMBER

QUALITY EXOTIC LUMBER/TURNING WOODS—We offer a comprehensive selection of fine quality exotic woods. Also available are mechanisms for making wooden barrel pens/pencils/roller balls/fountain pens. Ebony, Kingwood, Tulipwood, Snakewood, African Blackwood, Cocobolo, Bloodwood, Figured Maple, Spaulded Maple, Padauk, etc. Unique and unusual turning woods and burls are also available. Send for catalog. **BEREA HARDWOODS**. \$1.00. *Circle No. 510.*

ONE STOP WOOD SHOP—Domestic and exotic hardwood plywood and lumber, marine plywood, over 30 species in stock—all under one roof. Custom cutting services to your exact specifications with little or no waste at competitive prices! We specialize in bundling and shipping. Send for catalog. **BOULTER PLYWOOD CORP.** Free. *Circle No. 512.*

LUMBER & VENEERS—The finest selection in the USA! Constantine's 120-page catalog features imported and domestic hardwoods, turning squares, carving blocks, magnificent veneers in more than 80 different species. Everything from Ash to Zebra-wood—walnut, rosewood, Gaboon ebony, cocobolo, padauk, maple, holly, purpleheart, bubinga, oak, cherry, poplar, mahogany and more. **CONSTANTINE'S**. \$1.00. *Circle No. 515.*

DUNHAM HARDWOODS—Specializing in red oak and other quality hardwoods. Send for a complete listing of species, prices, thicknesses and grades. All lumber is kiln dried and graded according to NHLA rules. We have twenty-two species of hardwoods and can ship small orders UPS; large orders, common carrier. Quality, price and service are the name of our game. **DUNHAM HARDWOODS**. Free. *Circle No. 530.*

ATTENTION WOOD READERS—If you want to spend more time in your wood shop and less time shopping for wood, PROJECT-PAK is for you! Our catalog contains 60 PROJECT-PAKs of projects originally built in *WOOD Magazine*. Send today and enjoy hassle free woodworking. Catalog. **HERITAGE BUILDING SPECIALTIES**. \$1.00. *Circle No. 550.*

STEVE H. WALL LUMBER CO.—Quality hardwoods and woodworking machinery for the craftsman and educational institutions. 16-page catalog lists 17 species of popular hardwoods at wholesale prices. Also dealers for MiniMax, Freud and ProCut woodworking machines. **STEVE H. WALL LUMBER CO.** \$1.00. *Circle No. 592.*

HARDWOODS—High quality exotics, and an exciting variety of domestic hardwoods, turning squares, mouldings, veneers and free form lumber. Catalog. **WILLARD BROTHERS WOODCUTTERS**. Free. *Circle No. 595.*

EXOTIC IMPORTED AND DOMESTIC HARDWOODS—Select from more than 100 different woods. Lumber, bowl blanks, turning squares and veneer. Samples (1/2" x 3" x 6") available, fully sanded. Ideal for collectors, craftsmen, furniture and cabinet makers, architects and designers. Custom cutting and thin stock manufactured. Satisfaction Guaranteed. Send for catalog. **WOODWORKERS SOURCE**. \$1.00. *Circle No. 598.*

VIDEOS

LAGUNA TOOLS VIDEO—Learn why most European workshops are using a central machine center rather than separate machines. 90 min. video presentation of "The Intelligent One Man Shop. The Robland X 31". Send for video. **LAGUNA TOOLS**. \$6.00. *Circle No. 615.*

GENERAL WOODWORKING CATALOGS

WOODWORKER'S CATALOG—Constantine really knows lumber and tools—they've been in the business since before you were born! 120-page catalog of imported and domestic woods, veneers, carvings, moldings, tools, jigs, finishes, hardware and more—all backed by a 60-day money-back guarantee and 183 years' experience! 2 year subscription. **CONSTANTINE'S**. \$1.00. *Circle No. 820.*

THE WOODTURNERS CATALOG—48 color pages of the finest woodturning tools, machinery and supplies available. Featuring Henry Taylor, Sorby, Richard Raffan and Dale Nish workshops. Catalog price refunded with order. **CRAFT SUPPLIES USA**. \$2.00. *Circle No. 830.*

MASTER TOOLS CATALOG—1994-95 236-page master woodworking tools catalog. Full line of the best hand tools, power tools & accessories, machinery, glues, finishing supplies, workbenches, and much more. Hundreds of books included. All four-color. Lots of technical information. **GARRETT WADE CO.** Free. *Circle No. 855.*

GRIZZLY IMPORTS, INC.—1994 is our 11th year of providing woodworkers with an incredible selection of machines, tools and accessories at prices you can afford. Send for your free 1994 catalog today and celebrate with tremendous savings on all your woodworking needs. **GRIZZLY IMPORTS INC.** Free. *Circle No. 860.*

KREG TOOL COMPANY—Pocket Hole Joinery featuring the Kreg Jig® and other new and innovative solutions for the modern woodworker. Catalog includes pocket hole joinery tools and accessories, square drive screws, demountable and Euro-style hinges, drawer slides, KTC high quality router bits, and videos featuring instruction and projects for pocket hole joinery, along with other cabinet and furniture making tools and supplies. **KREG TOOL COMPANY**. 50¢. *Circle No. 877.*

MINI POWER TOOL CATALOG—Designed for easy reference, Ryobi's "shirt pocket" Power Tool Catalog includes our complete line of power tools, categorized by type: bench top, cordless, hand-held and stationary models. It features individual tool photographs with specifications and clear descriptions that offer specific uses and benefits. Accessories are also listed. Send for catalog. **RYOBI**. Free. *Circle No. 925.*

WOODWORKING CATALOG—48-page full-color catalog of top quality woodworking machines and supplies. See the American made tools! Total Shop is bringing production home. Many tools now made in the U.S.A. Dust collectors, table saws, lathes, drills, you name it we have it. Catalog free! **TOTAL SHOP**. Free. *Circle No. 940.*

THE WOODWORKERS' STORE CATALOG—New! The Woodworkers' Store 1994/95 catalog with hundreds of new items features 112 full color pages of domestic and exotic hardwoods, veneers, wood parts, specialty hardware, kitchen accessories, finishing supplies, tools, books, and plans... Many exclusive items and hard to find specialties. Orders shipped in 24 to 48 hours. Toll free ordering. Over 40 years in business! Satisfaction guaranteed. Catalog. **THE WOODWORKERS' STORE**. Free. *Circle No. 965.*

KITS

OUR QUEEN ANNE FURNITURE KITS—are ready to assemble and finish. They include dining room chairs, a variety of occasional tables, and a personal desk. All are made in solid cherry, oak, walnut, and mahogany. We also stock individual Queen Anne legs for every project. Complete information in our brochure packet. **ADAMS WOOD PRODUCTS**. Free. *Circle No. 1002.*

BUILD-IT-YOURSELF FURNITURE KITS—Choose from over 70 different furniture projects you can build yourself from our precut, partially assembled kits. Includes a classic roll-top desk, gun cabinet, bedroom furniture and more. All made from solid oak and cherry. No special tools required. **GRAND RIVER WORKSHOP**. Free. *Circle No. 1035.*

ATTENTION WOOD READERS—If you want to spend more time in your wood shop and less time shopping for wood, PROJECT-PAK is for you! Our catalog contains 60 PROJECT-PAKs of projects originally built in *WOOD Magazine*. Send today and enjoy hassle free woodworking. Catalog. **HERITAGE BUILDING SPECIALTIES**. \$1.00. *Circle No. 1040.*

BUCKBOARD BENCH KIT—Kit includes, steel springs that give a little, metal arms and back rails, hardware, and complete instructions. Also available kit with oak

parts cut to size. Send for information. **THE ROUDE BUSH CO.** 50¢. *Circle No. 1085.*

PUBLICATIONS

WOODWORKER'S LIBRARY—Check Constantine's catalog for the best selection of how-to books, plans and videos, plus tools, woods, hardware and finishes—all backed by a 60-day money-back guarantee and Constantine's 182 years of experience! 2 year subscription. **CONSTANTINE'S**. \$1.00. *Circle No. 1115.*

HOW TO WORK WITH CORIAN® IN THE HOME WORKSHOP—You can see it in the ads on these pages: CORIAN comes to life in the hands of a craftsman. Now get your hands on the information you need to start creating with this remarkably versatile, workable material. Send for your free guide. **DUPONT CORIAN**. Free. *Circle No. 1120.*

SHOP ACCESSORIES

INTRODUCING THE AIR YOU WEAR—Available now for the woodworking industry, is a powered air respirator that is lightweight, portable and effective in filtering dust particles generated by all woods. The hard hat helmet assembly offers head protection and the impact resistant visor offers face and eye protection. Can be worn even if wearer has glasses or facial hair. Rechargeable battery operates unit for 10 continuous hours. Model AGH1 sells for \$329.00. Send for brochure. **AIRSTREAM DUST HELMETS**. Free. *Circle No. 1207.*

LUMBER DRYING SYSTEMS—Ebac Lumber Dryers offers a wide variety of sizes from 50 B.F. to over 10,000 B.F. Three models are priced under \$3000. You get the highest quality lumber dried down to 6% - 8% moisture content. Our controllers make them easy to operate and energy efficient. Kiln construction guide included to build your chamber. **EBAC LUMBER DRYERS**. Free. *Circle No. 1228.*

ECON-ABRASIVES—manufactures abrasive belts up to 52" wide in any grit. We carry hundreds of woodworking related accessories including: Velcro® backed discs, bar clamps, wood glue, drawer slides, chisels, hinges and hundreds of sanding accessories. Send for our 1992 catalog. **ECON-ABRASIVES**. Free. *Circle No. 1229.*

EASY DOES IT—with HTC'S power tool accessories. Discover many unique items, designed only with you, the dedicated woodworker, in mind. Make your machinery safer, increase the working area of your shop and accomplish nearly impossible tasks easily, quickly, accurately. Full-line catalog and price list. **HTC PRODUCTS, INC.** Free. *Circle No. 1245.*

WOOD MOISTURE METER—Avoid moisture defects such as cracking, warping, splitting, delamination. The pin-type moisture meter "Mini-Ligno" can read surface or core moisture in any thickness of lumber, from veneer through heavy timbers. A flat surface is not necessarily required, thus the Mini works on rough sawn lumber and curved or round pieces. A most versatile instrument. Many hobbyists and professionals use the Mini-Ligno C or E/C with attachments to monitor lumber during air or kiln drying or use external electrode for depth readings. Catalogue describes complete line of moisture meters. **LIGNOMAT USA, LTD.** Free. *Circle No. 1250.*

ROUTER SPEED CONTROL—Reduces speed electronically without reducing torque. Route at the speed that gives best results with the wood and bit you are using. Speed adjustable from full speed to 0 RPM. Less tear out—stops burning—less wear on bits—easy to use. Send today for information. **MLCS LTD.** Free. *Circle No. 1251.*

LUMBER DRYING—Dry your own lumber using our equipment and your insulated chamber. Dehumidification systems from 300 BF to 45,000 BF. Easy to operate equipment offers high quality kiln-dried lumber for pennies per foot. These long-lasting made-in-the-USA units can pay for themselves in one month! Send for free catalog. **NYLE STANDARD DRYERS, INC.** Free. *Circle No. 1260.*

SUPERGRIT® SANDING/REFINISHING CATALOG CLOSE-OUT SHEET—Belts (aluminum oxide, silicone carbide zirconia), discs (plain, PSA, Hook & loop vacuum), sheets (cabinet, crocus, emery, non-loading, water-proof), rolls (cloth or hook & loop), bowl turning & lathe supplies, dust masks, scuff pads, tack cloths, tape. **RED HILL CORP.** Free. *Circle No. 1267.*

"WOOD-FRIENDLY"™ L606 MOISTURE METER—uses advanced electromagnetic wave technology to accurately measure wood moisture content from 6% to 30% to a depth of 3/4". No pins to "abuse" wood and leave ugly holes. Check out boards from top to bottom in just seconds before you buy and avoid the headaches of splitting, warpage, delaminating and failed glue joints. The Wagner L606's convenient pocket size, easy-to-read analog meter, and low price make it a must for anyone working with wood. Literature. **WAGNER ELECTRONIC PRODUCTS, INC.** Free. *Circle No. 1285.*

BITS, BLADES, CUTTING TOOLS

ASK FOR CMT'S CATALOG AND WE'LL GIVE YOU \$5!—CMT Tools will send you our free, full-color router bit catalog and we'll give you a \$5.00 discount on your first order! CMT bits feature anti-kickback design, Teflon coatings and micrograin carbide cutting edges. Our catalog is packed with accessories, project ideas and safety tips—it's one catalog you'll want to keep! **CMT TOOLS, INC.** Free. Circle No. 1310.

CASCADE TOOLS—The 1993 Cascade Tools catalog is the finest ever. It's jammed with great buys on SY brand industrial-grade router bits, shaper cutters and an excellent assortment of hard-to-find accessories. You'll have to see it to believe it. **CASCADE TOOLS, INC.** Free. Circle No. 1315.

ENLON IMPORT CORP.—Check out n' Save. We offer a wide selection with over 100 varieties of professional quality carbide tipped router bits & shaper cutters with irresistible prices, find out yourself. Catalog. **ENLON IMPORT CORPORATION.** Free. Circle No. 35.

1995 EAGLE AMERICA WOODWORKING CATALOG—Top Quality American Made cutting tools featuring over 850 router bits. Plus the largest selection of American Made saw blades, shaper cutters, forstners, rosettes, brad points and more. Over 2,000 unique and hard to find tools and accessories. **EAGLE AMERICA CORP.** Free. Circle No. 1320.

FREUD—Premier line of carbide-tipped sawblades, router bits, shaper cutters and other woodworking tools, Freud offers a full-line on anti-kickback carbide-tipped router bits. Send for a free new router bit catalog. **FREUD.** Free. Circle No. 1321.

SUPER-SMOOTH, EXTRA-DURABLE, CARBIDE-TIPPED CIRCULAR SAW BLADES—Get a smooth-as-sanded surface with our all-purpose 40-tooth Woodworker Blade. You will be able to rip and cross-cut 1 - 2 in. rock hards and soft woods with an unbelievably smooth finish. You will also be able to cross-cut oak and birch ply-veneers with no bottom splinters. Send today for our information pack. **FORREST MFG. CO., INC.** \$1.00. Circle No. 1322.

PRODUCTION QUALITY CARBIDE TIPPED ROUTER BITS—Large discounts. New expanded catalog featuring a huge selection of Carbide Tipped Router Bits, Raised Panel Door Sets, Shaper Cutters, Solid Carbide Bits, The Router Speed Control, plus our unique line of clamps, tools and supplies. Save 50% to 70%. Value, quality, and prompt service guaranteed! **MLCS LTD.** Free. Circle No. 1350.

HARDWARE/ WOOD PARTS

HARDWARE CATALOG—A unique 48-page catalog of the very finest in classic, traditional solid brass cabinet hardware. All of British or No. American manufacture. Double & single post handles, knobs, escutcheons, standard & specialty hinges, box hardware, brass screws, castors, latches, catches, locks, and more. **GARRETT WADE CO.** \$3.00. Circle No. 1427.

INCOME OPPORTUNITIES

SECURE FUTURE IN FURNITURE RESTORATION WITH MINUTEMAN—Earn \$200-\$1,000 per day stripping, repairing, refinishing, mirror resilvering, veneering and more at home or in shop; part- or full-time. We provide complete training; no experience necessary. FREE workshop teaches you latest in furniture restoration. Featuring Amity, the first complete line of water-based furniture restoration products. Catalog. **MINUTEMAN.** \$2.00. Circle No. 1661.

MISCELLANEOUS

MECHANISMS FOR MAKING WOODEN BARREL PENS—Pencils/Roller Ball Pens/Fountain Pens. High quality. Low prices. Wholesale/Retail. Plus other related items. **BEREA HARDWOODS CO.** \$1.00. Circle No. 1900.

LOOKING FOR PIERCED TIN? COME TO THE SOURCE!—70+ page color highlighted catalog introduces you to a treasury of pierced metal panels affordably priced and ready to install in your woodworking projects. Available in a wide variety of sizes, 16 different types of metal (copper & brass, tool) & over 300 designs. Custom size & design a specialty. OR all the materials and tools needed to create it yourself. Catalog includes furniture plans you can order, lantern kits, specialized metal piercing tools and MORE. **COUNTRY ACCENTS.** \$5.00. Circle No. 1910.

DELPHI STAINED GLASS—80-page color catalog of stained glass and related supplies. Beveled glass, hard-to-find tools, hundreds of unique patterns, kits, books, videos, and lots more. For 18 years, we've supplied both hobbyists and professionals with quality products, friendly advice, and fast 24-hour shipping. All products guaranteed 100%. **DELPHI STAINED GLASS.** \$4.50. Circle No. 1920.

ROLL-TOP COVER—QUICK & EASY! The Roll-Top Cover instantly rolls out to keep contents dry and secure. When not required it rolls into its small 9/4" storage can-

ister for carrying tall loads. The full length handle can be easily operated with one hand from either side of the truck. Send for brochure. **PACE-EDWARDS CO.** \$1.00. Circle No. 1985.

STEELMASTER BUILDINGS—are available in almost any size for almost any use. From 10' to 100' wide and any length imaginable. Whether you need a back yard shop... an industrial shop... equipment storage building... whatever your requirements, you'll find a Steelmaster that's just the right size for the job. Our buildings are so easy to construct, most owners opt to construct their buildings themselves which adds up to even bigger savings. Send for information. **STEELMASTER.** \$1.00. Circle No. 2030.

IF YOU ARE INTERESTED IN RESTORING ANTIQUES—this 280-page catalog packed with unusual, hard-to-find items is just for you. Included are hundreds of essential items for antique restoration including top quality brass reproduction hardware, oil lamps and accessories, numerous wood component repair parts and kits, caning and basketry supplies, everything needed for wood refinishing, related tools, books, and a complete line of upholstery equipment and supplies. All at wholesale prices. Send for this informative catalog. **VAN DYKE'S RESTORERS.** \$1.00. Circle No. 2077.

CONVERTIBLE SUNSPACE—Unique new concept for year-round enjoyment. Insulated winter sunroom converts to a breezy screen room in summer. The two-in-one Sun-Porch features do-it-yourself assembly, shatter-resistant glazing, no special foundation. Colorful catalog, prices, sent first-class mail. **VEGETABLE FACTORY, INC.** \$2.00. Circle No. 2078.

LEGAL IVORY—Virtually identical to animal ivory. Tagua is the nut from a tropical palm tree. Ideal for jewelry, knobs, small turnings, inlay, or scrimshaw. Available in 3 sizes. Send for information. **WOODWORKERS SOURCE.** Free. Circle No. 2090.

***THE WOODWORKING SHOWS* MACHINERY, TOOLS AND SUPPLIES**—Hundreds of products for the woodworker demonstrated and sold at discount prices at every "Woodworking Show". In-depth seminars and free workshops on a variety of woodworking topics. Shows are scheduled in 27 cities. Send for free brochure. **"THE WOODWORKING SHOWS*."** Free. Circle No. 2095.

CARVING SUPPLIES

WOOD CARVING MACHINES AND ACCESSORIES—make all types of wood carving easy, fun and profitable. The machines do the work. Whether for sign carving, flat 3-D, decoys, panels, gun stocks or furniture, we have the proper machine for the job. Professional woodcarving for the hobbyist and superior quality for the professional. Begin your hobby or full or part-time business by ordering our catalog and price list. **MARLIN INDUSTRIES.** \$1.00. Circle No. 2150.

CLAMPS AND VISES—New 6-page, full-color catalog features clamps, vises and accessories for both the professional and the hobbyist. All products made in U.S.A. Send for catalog. **WARREN TOOL GROUP.** \$2.50. Circle No. 2185.

CLAMPS

MERLE ADJUSTABLE CORNER CLAMP—Quick & easy to use. It forces your work into square. Fully adjustable from 2" x 2" to 69" x 69" in. Perfect for clamping picture frames, cabinets, or anything that requires 90° corner clamping. The Merle Clamp is cast aluminum & steel construction, a true industrial quality tool. Send today for information. **MLCS LTD.** Free. Circle No. 2250.

CLOCKS

COLONIAL TIMES CLOCK COMPANY CATALOG—Create your own family heirloom from one of our 15 styles of pre-cut machine-sanded grandfather clock or wall clock kits complete with all the necessary hardware. We also carry a complete selection of weight-driven and keywound movements, dials and accessories. **COLONIAL TIMES CLOCK COMPANY.** \$1.00. Circle No. 2325.

FASTENING PRODUCTS

SQUARE DRIVE SCREWS—Thousands agree—once you try them you will never want to use anything else! The square drive recess virtually eliminates work-damaging driver bit "cam-out," the deep threads result in exceptional holding power, and they are heat treated for strength. Sizes from #4 x 3/8" to #12 x 4", with stainless steel, solid brass, brass plated, and zinc plated available. Quantity discounts. Send for literature. **McFEELY HARDWOODS.** \$1.00. Circle No. 2450.

WOODWORKER'S RESOURCE

Better Homes and Gardens®
WOOD Magazine, February 1995
Dept. FEW095
P.O. Box 7931
Riverton, NJ 08077-7931

TO ENSURE PROMPT HANDLING OF YOUR ORDER FOLLOW THESE INSTRUCTIONS:

- Circle your choice
- Enclose check or money order for cost of booklets plus \$2.00 service charge (no stamps accepted)
- NO FOREIGN ORDERS ACCEPTED
- Send coupon and remittance to address above
- ALLOW 4-6 WEEKS FOR DELIVERY
- Coupon expires March 10, 1996

WOOD SUBSCRIPTION

A 1 year WOOD subscription (9 issues) for \$24.97 (U.S. price)—a \$19.58 savings off newsstand rate (Circle No. 4000). Allow 6-8 weeks for first issue. Be sure to include payment with total below. NO FOREIGN ORDERS ACCEPTED ON THIS COUPON; please contact Subscription Dept. directly.

Circle numbers below corresponding to items in this issue. Please include \$2.00 for handling charge.

2.....\$1.00	84.....Free	323.....\$1.00	550.....\$1.00	1002.....Free	1267.....Free	1920.....\$4.50
3.....\$2.00	86.....Free	330.....\$3.00	592.....\$1.00	1035.....Free	1285.....Free	1985.....\$1.00
15.....Free	92.....\$1.00	345.....\$3.00	595.....Free	1040.....\$1.00	1310.....Free	2030.....\$1.00
18.....Free	94.....\$2.00	371.....\$1.00	598.....\$1.00	1085.....50c	1315.....Free	2077.....\$1.00
20.....\$1.00	110.....\$1.00	401.....\$2.00	615.....\$6.00	1115.....\$1.00	35.....Free	2078.....\$2.00
35.....Free	118.....\$1.00	445.....\$3.00	820.....\$1.00	1120.....Free	1320.....Free	2090.....Free
44.....Free	160.....\$1.00	465.....\$1.00	830.....\$2.00	1207.....Free	1321.....Free	2095.....Free
46.....Free	175.....Free	480.....\$1.50	855.....Free	1228.....Free	1322.....\$1.00	2150.....\$1.00
48.....\$1.00	190.....\$1.50	496.....\$1.00	880.....Free	1229.....Free	1350.....Free	2185.....\$2.50
75.....Free	210.....\$1.00	510.....\$1.00	877.....50c	1245.....Free	1427.....\$2.00	2250.....Free
76.....Free	310.....\$2.00	512.....Free	925.....Free	1250.....Free	1661.....\$2.00	2325.....\$1.00
77.....Free	315.....\$1.00	515.....\$1.00	940.....Free	1251.....Free	1900.....\$1.00	2450.....\$1.00
78.....\$1.00	320.....\$2.00	530.....Free	965.....Free	1260.....Free	1910.....\$5.00	4000.....\$24.97

Name (please print) _____ **I AM ENCLOSING:**
 Address _____ \$ _____ for priced items
 City _____ \$ 2.00 for handling
 State _____ Zip Code _____ \$ _____ total remittance
 Phone (Optional): _____

"An ounce of prevention is worth a pound of cure"

FACT: Septic Helper works

to prevent septic tank and cesspool problems and saves you \$\$\$\$!

FINALLY... SEPTIC MAINTENANCE MADE EASY

CUT DOWN: re-doing drain fields
pumpouts • wet spots
costly expenses • clogged drains • offensive odors

100%
GUARANTEED

Septic tanks/cesspools can eventually clog-up, back up and become malodorous. Slow drainage can set in and become a constant problem. Now there is a product available that will help maintain your system and also help it reach maximum efficiency. **Septic Helper** goes to work in your system, activates the bacteria and begins to change organic solids into liquids. Let **Septic Helper** work to keep your septic system trouble free.

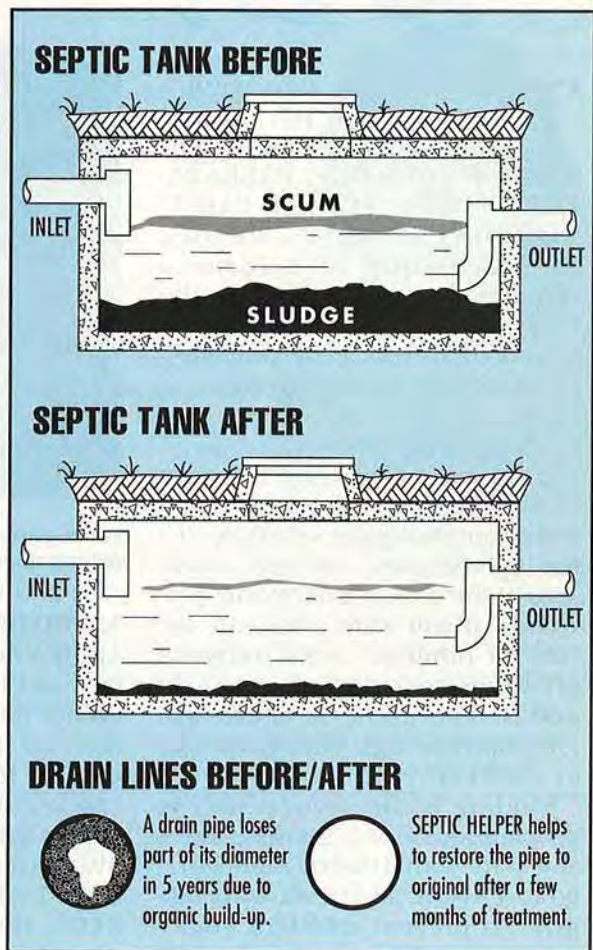
A beneficial bacteria additive that is safe and easy to use

For More Information Call Toll Free

1-800-533-2445

OR Fill Out Coupon

Keep your septic tank and cesspool in great shape. Use SEPTIC HELPER!



I am interested in more information on
SEPTIC HELPER

Name _____

Address _____

Town _____ State _____

Zip _____ Tel. (____) _____

How many septic tanks/cesspools? _____

Mail in coupon to:

Big K Inc

P.O. Box 568144 Atlanta, GA 31156-8144 WM

Follow the five “Ps” when PAINTING PLYWOOD

The next time you want a smooth paint job on plywood, just remember our five-step procedure: PREPARATION, PUTTY, PRIMER, PAINT, and POLYURETHANE. We used this technique to achieve a smooth, durable surface on the kids' table and chairs project, *page 46*. Here's how our fool-proof strategy comes together.

1. PREPARATION

Start smart by choosing the right plywood. Birch-faced plywood makes an ideal paint substrate. It's flat, tight grained, and less expensive than other hardwood plywoods. If you want a smooth surface for furniture, avoid softwood plywoods such as fir-faced sheet goods. The grain on these will telegraph through your paint film as small but visible ripples.

Sanding is the second step in preparation. Use a sanding block and start with 100-grit sandpaper, go to 150-grit, and finish with 220-grit. To prevent splinters, round over exposed edges with a router bit or sandpaper.

2. PUTTY

Fill the voids in the edges of your plywood with wood putty. After the putty dries, sand the edges working through 100-, 150-, and 220-grits. As you are sanding, you may uncover a few smaller voids that didn't completely fill with putty. If so, refill these areas and re-sand the edge.



For a glass-smooth paint job on plywood, sand carefully and follow with putty, primer, paint, and a top coat of polyurethane.

3. PRIME

Apply a coat of primer to the surface and the edges of your panel. Primer bonds tighter to the wood than an unprimed coat of paint and is less likely to peel or crack—thus destroying the top coat. A white primer coat also will dramatically display any overlooked dings, scratches, or voids. Refill these with putty, sand smooth, and spot-prime the area. After the primer dries, lightly sand the entire panel with 220-grit abrasive to knock down the little bumps caused by air bubbles and dust specks.

4. PAINT

Now, you can put on the color coat. On small projects, apply the paint with a brush. If you have a large panel, use a fine-nap roller for speed. Put on two coats and

sand lightly with 220-grit sandpaper between coats. To avoid brush marks when using water-based paints, use a disposable foam brush or roller.

5. POLYURETHANE

On interior projects, top off your paint with two coats of polyurethane. This clear coating protects against abrasion and rough handling. To improve adhesion, sand your final paint coat with 220-grit abrasive before applying the polyurethane. Also, sand lightly between the coats of polyurethane. On your outdoor projects, skip the polyurethane step, and make sure that all the products you use—plywood, primer, putty, and paint—are rated for exterior use. 🌿

Photograph: John Hetherington

DO IT YOURSELF WILLOW FURNITURE™
STEP BY STEP ILLUSTRATED "HOW TO" GUIDE



Written by Sandra Levarek
 Published by Helios Enterprises Inc.

Make Willow Furniture

**MAKING WILLOW FURNITURE IS REWARDING! CHALLENGE YOUR WOODWORKING SKILLS WITH WILLOW!
 YOU ONLY NEED A CLEAR STEP BY STEP ILLUSTRATED "HOW TO" BOOK. THIS IS THE BOOK!**

FOR REWARDING FUN!

Add a country rustic touch from the patio to the child's room with willow furniture. Find out how rewarding making willow furniture is! In her Step by Step illustrated "How To" book, Sandra Levarek will show you how to make a complete line of willow furniture. Discover these wood-working techniques! This book has a unique format. It is designed especially for the woodworker with **sturdy glossy pages** easy to display on your workbench.



FOR GIFTS!

Patio Tables, Rockers, Child's Chair, Shelves, Willow Lamps, Loveseats and more. Make a special gift which bonds true friends as ordinary chats cannot.



Impress your loved ones! Follow these Step by Step illustrated techniques available for you in the

"Do It Yourself Willow Furniture™". Enjoy making gifts that will remain close keepsakes for all time!

FOR INCOME SUPPLEMENT!

Explore the lucrative possibilities of a home-based business selling a complete line of Rustic Willow Furniture. This Step by Step illustrated "How To" book teaches it all. **NO INVESTMENT!** Also FREE business tip information included on how to **successfully market** Willow Furniture; "Where & How to Sell / How to Price Your Work /Trade Show & Trade Fair Info" and much more. A Loveseat retails from \$300 to \$750! Your only investment is your time! Make money discovering the intriguing ever-growing market created by today's "Back to Nature" movement. Be part of it! Act today!

About the Author & Book

Mother of three, Sandra Levarek discovered at home the beauty and rewards of making traditional willow furniture. She collected and documented the various techniques of willow making from woodworking artists across the country. Amazed by how challenging and rewarding it was to make willow furniture, she began to share her knowledge with fellow woodworkers:

"Be creative challenging your skills as you make willow furniture! Feel free to change and modify designs according to your needs and the equipment available to you. Challenge your woodworking talents!" She compiled the only book available today teaching woodworkers how to make a complete line of willow furniture.

"Do It Yourself Willow Furniture™" gives you step-by-step illustrated instructions. All projects emphasize natural design and materials: Planter Baskets, Child's Chair / Rocker, Tri-Shelf Plant Stand, Hanging Birdcage, Loveseats, Patio & Tea Tables, Lamps, Chair Swings, & more. Experience the art of willow furniture!

"I designed this book with sturdy glossy pages. No need to tear nor bend them! Just display the pages as you work. Every woodworker will appreciate this innovative format! Create exciting and original projects from the marsh and woodlands around you. These personally hand crafted works of art become keepsakes for friends or family for many years to come. Bring the magic of nature into your home! This book was written for you!"



ORDER TODAY! ONLY AVAILABLE BY MAIL ORDER!

For Yourself or as a Gift!

Introductory Offer....Was ~~⇒~~ \$29.95
 NOW ~~⇒~~ **ONLY \$19.95!**

Only \$19.95 For Over 12 Different Furniture Designs!

Additional copies: **Only \$9.95 per copy!**

"Do It Yourself Willow Furniture™" is the Perfect Gift for Woodworkers!

● 1 copy \$19.95 + \$3.50 shipping (For Canada add \$4.50)
 Additional copy: \$ 9.95 + \$ 1.00 shipping (Canada + \$ 2.00 / copy)

Send Check or M.O. to:
Helios Enterprises Inc.

**Order Dept. #WHG
 P.O. Box 4495
 Park City, UT 84060**

**Orders Processed
 Same day as received!**
 Due to introductory offer
 we do not accept
 Credit Cards nor COD



THE LOWLIEST HARDWOOD THERE IS SWEET BUCKEYE



Sweet buckeye wood, although repugnant to most lumbermen, has been successfully used for artificial limbs.

Lumbermen have few nice words for the wood of the sweet buckeye (*Aesculus octandra*) that grows from Pennsylvania through the South and west to Oklahoma. That's because this light-colored, featureless hardwood that some call yellow buckeye ranks below softwoods in hardness. Besides being among the weakest of woods, sweet buckeye smells terrible when green and shrinks greatly in drying, losing 50 percent of its weight!

If those significant traits aren't bad enough, the fruits from which the tree derives its name (round and shiny brown, they resemble a deer's eye) have a poisonous reputation. Livestock and even children have developed nausea and dizziness from eating them.

On the other hand, even this lowliest of hardwoods has some historical merits. Bookbinders of

old would mash the toxic buck-eye fruits and make a paste to fasten pages together. The very poison intolerable to people and animals also drove insects away from their otherwise vulnerable books.

Then, too, sweet buckeye wood, although plain and weak, has proved useful even now for shipping crates and boxes because of its lightness. Nails also hold well in it. Surprisingly, this same lightness—combined with straight-grain and resistance to splitting—made it ideal for artificial limbs before man-made materials.

Despite buckeye's faults, George Washington, who loved trees, developed a fondness for it on a trip to West Virginia. He found a variety that in spring bore beautiful flowers, and went on to pay the sweet buckeye the highest tribute by gathering its seeds and planting them at Mount Vernon. ♣

Illustration: Jim Stevenson



Get your **FREE** copy
**THE
WOODTURNERS
CATALOG**

Craft Supplies USA
offers the best in
woodturning tools
and supplies available.

Artisan™ brand pen turning supplies, letter openers, key rings and Mont Blanc® style pen kits are only a few of the many turning projects available.

Choose from:

Woodfast Wood Lathes
Axminster Chuck System
Henry Taylor Tools
Sorby Tools

Artisan™ Project Kits
Dymondwood
Corian Turning Squares
Ray Key Videos
Dale Nish Workshops

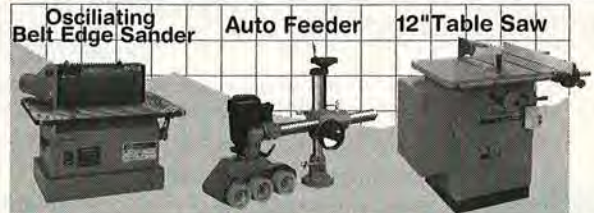
For a **FREE** copy of
The Woodturners Catalog

Call toll free **1-800-551-8876**

Write to: Craft Supplies USA

P.O. Box 50300 Provo, UT 84605-0030

Circle No. 830



▲ \$165

▲ \$395

▲ \$740



▲ \$435

▲ \$235

▲ \$285



▲ \$760

▲ \$1290

▲ \$1190

TRANSPower

FOR EXPRESS NEW CATALOG CALL
818-815-9897 FAX 818-815-9807

C.P. Tools, Inc. 611 Duggan Ave., Azusa, CA. 91702

Circle No. 15

Model	Description	List	Sale
23-600	Wet/Dry Grinder	234	155
23-670	6" Bench Grinder	86	75
11-950	8" Drill Press	199	135
31-050	1" Belt Sander 2.0 amp	104	75
31-460	4" Belt/Disc Sander	198	129
31-440	1" Belt/Disc Sander	268	204
40-560	1/2" Speed Scroll Saw	266	178
11-990	12" Bench Drill Press	276	195
11-090	32" Radial Bench Drill Press	399	305
43-050	1/2" Bench Router/Shaper	399	285
22-540	12" Bench Top Planer	399	389
36-220	10" Compound Miter Saw	500	229
28-180	Bench Band Saw	232	158
28-190	NEW 12" Band Saw	465	369
40-640	20" Bench Scroll Saw	466	295
37-070	NEW 6" Vspd Bench Jointer	337	249
14-650	Hollow Chisel Mortiser	668	279
46-700	12" Wood Lathe	548	445
33-990	10" Radial Arm Saw	818	645
37-280	6" Motorized Jointer	488	389
50-179	3/4" HP 2 stage Dust Collector	483	345
33-055	31-1/2" Sawsack comp w/legs	865	615
34-330	8-1/4" Table Saw 13 amp	343	245
32-100	Stationary Plate Jointer	645	255
36-040	8-1/4" Compound Miter Saw	224	149
34-915	30" Unifence	385	229
34-897	50" Delta Unifence	525	289
36-755	10" Tilt Arbor Saw	1264	969
34-444	Contractors Table Saw	812	619
17-900	16-1/2" Floor Drill Press	462	399
33-060	"Sidekick" Miter Saw	510	375
37-190	NEW 6" Deluxe Jointer	554	479
36-275	NEW 8-1/4" Builders Saw	444	265
36-210	NEW 10" Compound Miter Saw	438	255
36-070	NEW 10" Miter Saw	284	169
36-630	NEW 10" Contractors Saw II	700	575
34-555	NEW Sliding Table	459	359

The following Delta Tools have Rebates 1 Rebates start 9-15-94

\$50 Rebate

28-283 14" Band Saw w/enc. stand910 745
 28-283/28-283 Saw w/28-943 rip fenceSale 789
 34-445 34-444 Saw w/30" Unifence 1200 775
 34-445/34-445 Saw w/34-914 table board 809

\$75 Rebate

22-661 13" Planer w/2HP motor1513 1189
 37-154 DJ15 6" Jointer w/34HP motor1451 1165

Model	Description	List	Sale
6527	NEW Sawzall with case	320	172
6528	above Sawzall w/wired cord	316	172
0407-1	12V Drill w/keys chuck & 2 batt	172	172
0395-1	9.6V cordless Drill with case	290	158
0224-1	3/8" Drill 4.5 amp magnum	227	124
0234-1	1/2" Drill 4.5A mag 0-850 rpm	237	128
0244-1	1/2" Drill 4.5A mag 0-600 rpm	237	128
0222-3	3/8" Drill 3.5 amp 0-1000 rpm	198	109
0228-1	3/8" Drill 3.5 amp 0-1000 rpm	195	109
0375-1	3/8" close quarter Drill	237	129
0379-1	1/2" close quarter Drill	268	152
6546-1	cds Screwdr 200 & 400 rpm	141	84
5399	12" D-hole Hammer Drill Kit	332	194
6507	Original SawZall with case	284	144
8977	Variable temp. Heat Gun	311	79
5397-1	3/8" var. spd Hammer Drill Kit	255	142
5371-1	1/2" var. spd Hammer Drill Kit	340	188
3107-1	1/2" w/spd right angle Drill Kit	399	219
6754-1	Drywall Gun 0-4000 5.4 amp	196	114
3300-1	1/2" var. spd right angle Drill	356	194
5680	Router 2 HP - 12 amp	362	195
0235-1	1/2" Drill w/keyless chuck	237	128
6142	4-1/2" Grinder w/ace & access	208	124
6749-1	Drywall Gun 0-2500 5.4 amp	218	128
6365	7-1/4" Circular Saw 13 amp	218	122
6366	6365 w/fence & carbide blade	228	129
6368	6365 w/fence,carb. blade & cse	249	139
6377	7-1/4" Worm Drive Saw	330	189
6256	Top Handle Jig Saw	264	146
6490	10" Miter Saw	444	255
6491	6490 w/ carbide blade & bag	532	275
6494	NEW 10" Compound Miter Saw	444	269

Item	Description	Teeth	List	Sale
LU72M010	Gen Pur. A.T.B. 10" 40	69	39	
LU82M010	Cut-off 10"	80	49	
LU84M011	Comb 10"	50	78	42
LU85M010	Super Cut-off 10"	80	115	59
LM72M010	Ripping 10"	24	69	38
LU73M010	Cut off 10"	80	84	45
LU87M010	Thin Kerf 10"	24	72	39
LU98M010	Thin Kerf 10"	60	88	45
LU99M010	Ultimates 10"	80	128	66
LU91M010	Compound Miter 10"	80	88	54
F410	NEW Quik Blade 10"	40	95	49
F110	NEW Quik Blade 10"	90	135	74
TK303	7-1/4" Finishing	40	39	22
TK906	10" Combo	50	53	29
SD306	6" Dado - Carbide	215	112	
SD308	8" Dado - Carbide	230	119	
SD506	6" carbide w/ace & shims	292	158	
SD508	8" carbide w/ace & shims	344	168	
F0	1-3/4" x 5/8" Biscuit 1000 Qty	43	29	
F10	2-1/8" x 5/8" Biscuit 1000 Qty	43	29	
F20	2-3/4" x 1" Biscuit 1000 Qty	45	29	
FA	Assorted Biscuits 1000 Qty	45	29	
FB100	16 piece Fastner Bit Set	338	189	
94-100	5 pc. Router Bit Door System	320	159	
TR215	NEW 10" Slide Cmpd Miter Saw	688	379	
JR102	NEW Biscuit Joiner w/adj. Incls	355	179	

These FREED Tools have a \$30.00 Rebate 1
 Price shown is before rebate thru 3/31/94.

FT2000E 3-1/4 HP w/spd Plunge Router 410 205
 JS100 Biscuit Joiner with case 334 164

Model	Description	List	Sale
6070DW	3/8" v/spd Reverse Drill 7.2V	128	64
6172DWE	3/8" v/spd Drill Kit w/2 batt.	220	109
5090DW	3-3/8" Saw Kit 9.6 volt	270	145
ML900	Incandescent Flashlight 9.6V/Sale	367	175
DA391DW	3/8" angle Drill Kit 9.6 volt	312	175

Model	Description	List	Sale
6012HDWE	2 speed Drill Kit w/2 batt.	243	135
6095DWE	6095DW Drill Kit w/2 batteries	270	139
6095DWE	6095DW Drill Kit w/2 batteries	270	139
6201DWE	NEW 9.6V Drill Kit w/2 batt.	298	158
6211DWE	12V Drill Kit with 2 batteries	330	165
632002-4	9.6 volt Battery	47	30
632002-4	7.2 volt Battery	39	28

Model	Description	List	Sale
5007NBA	7-1/4" Saw w/electric brake	263	135
5008NBA	8-1/4" Saw w/electric brake	346	195
BO4510	1/4 sheet Pad Sander	106	59
9900B	3" x 21" Belt Sander w/bag	344	175
9924DB	3" x 24" Belt Sander w/bag	329	184
4301VB	Orb. var. spd Jig Saw 3.5A	292	158
JR3000V	var. speed Recip Saw w/ace	252	135
LS1020	10" Miter Saw 3.5 amp	630	355
9820-2	Blade Sharpener	394	205
N1900B	3-1/4" Planer with case	244	129
9514B	4" Disc Grinder 4.6 amp	111	59
BO4550	1/4 sheet Pad Sander w/bag	98	52
DA3000R	3/8" Angle Drill	314	179
2708W	8-1/4" Table Saw	585	298
2711	10" Table Saw with brake	1087	565
6404	3/8" Drill Rev. 0-2100 rpm	112	58
6510LVR	3/8" Drill Rev. 0-1050 rpm	168	93
6820V	0-4000 rpm Drywall Gun	171	99
6013BR	1/2" Drill Rev. 6 amp	280	149
9401	4" x 24" Belt Sander w/bag	378	229
4302C	var. speed Orbital Jig Saw	351	199
5077B	7-1/4" Hypoid Saw	281	155
5007NB	7-1/4" Circular Saw 13 amp	232	124
5007NBK	5007NB Saw w/ plastic case	242	129
LS1011	10" Slide Compound Saw	946	509
3612BRA	3 HP Plunge Router w/ brake	524	175
LS1211	New 12" Slide Cmpd Saw	1550	865

Model	Description	List	Sale
8030	New 3/8" var/spd Drill	250	145
8000	3/8" var/spd close qtr Drill	201	125
690	5" Air Random Orbit Sander	139	132

Model	Description	List	Sale
SPN1	Finishing Nailer 1" - 2"	448	298
SN325	Nailer 1-7/8" - 3-1/4"	665	419
SLP20	New Pinner w/cse 5/8 - 1-5/8"	399	269
SKS	Stapler 5/8" - 1-1/2"	309	269
SN70	Fram. Nailer Clp Hd 2" - 3-1/2"	690	475
SN62	Fram. Nailer-Full Hd 2" - 3-1/2"	638	445
SNF40	NEW Finish Nailer 1-1/4 - 2-1/2"	385	

Model	Description	List	Sale
N805-1	Stick Nailer	Super Sale	348
NR45	Coil Roof Nailer 3/4 - 1-3/4"	845	409
NE60FN-2	Finishing Nailer	650	335
T31	Brad Nailer	281	145
CWC100	1 HP Pancake Compressor	463	289

Model	Description	List	Sale
77	7-1/4" Worm Drive Saw	257	144
77M	NEW 77 Mag Worm Saw	300	164
2735-04	12 volt cordless Drill Kit	249	144
2736-04	12 volt cordless chuck	269	145
1605-02	Biscuit Joiner w/ace	221	129
3400	10" Table Saw - Bench Top	270	178

Model	Description	List	Sale
EY6205EQK	Same as EY6205BC but comes with Ironman battery	368	192
EY6207BC	NEW 12 volt 1/2" Drill w/keyless chuck var. speed w/15 min. charger & case	420	222
EY6282EQK	Var. spd 9.6 volt Drill with 15 min. charger, case & NEW Ironman battery	315	169
EY6282DKW	9.6 volt Drill Kit w/2 batt. 95c	362	

1995 TOOL CATALOG AVAILABLE
 Call Toll-Free 1-800-328-0457 In Minn. Call (612)224-4859
 FAX: (612)224-8263
CHECK • MONEY ORDER • VISA • MASTERCARD • DISCOVER
SEVEN CORNERS ACE HDW. INC.
 216 West 7th St. • St. Paul, MN 55102 • Est. 1933

Airy Air Nailers

0241SK
 Brad Nailer 3/8" - 1 9/16"
 Same as Senco SLP-20
 List 180 Sale 98

0250SK
 Brad Nailer 3/4" - 2"
 List 296 Sale 164

0262SK
 1/4" Crown Stapler 3/8" - 1"
 List 194 Sale 104

0263SK
 1/4" Crown Stapler 1/2" - 3/8"
 Same as Senco SKS
 List 310 Sale 175

EZ-1
 New Multi-purpose nailer & stapler
 List 180 Sale 99

0565T
 Angle Finish Nailer 1" - 2-1/2"
 List 386 Sale 205

DELTA
 #34-080
 10" MITRE BOX
 XTRA SPECIAL
 198.00

TOOLS ON SALE™
 AMERICA'S LOWEST PRICED TOOLS
 FREE FREIGHT TO THE
 48 CONTINENTAL STATES ON EVERY ITEM
 PRICES SUBJECT TO CHANGE WITHOUT NOTICE

Model	Description	List	Sale
DW364	7-1/4" Circ. Saw w/brake	285	154
DW945K-2	12V cds Drill Kit w/2 batt	309	169
DW944K-2	3-3/8" cds Drill Kit w/2 batt	283	165
DW610	1-1/2 HP 2 handle Router	274	149
DW411	1/4 sheet Palm Sander	97	58
DW100	3/8" Drill, 4 amp, 0-2500 rpm	118	68
DW682K	Biscuit Joiner with case	429	219
DW705	12" Compound Miter Saw	706	359
DW615	1-1/4 HP Elec. Plge Router	290	158
DW625	3 HP var. spd Plunge Router	269	

Model	Description	List	Sale
DW675K	3-1/8" Planer with case	289	164
DW431	3 x 21 vspd Belt Sander	331	179
DW444	6" Fan Orb Sander-PSA pad	266	149
DW443	DW444 whook & loop pad	286	149

Model	Description	List	Sale
DW952K	3/8" v/spd w/enc 9.6V batt	280	159
DW953K	3/8" v/spd w/enc 12V batt	306	175
DW962K-2	3/8" v/spd w/enc 9.6V XRbatt	324	179
DW972K-2	3/8" v/spd w/enc 12V XRbatt	352	189
DW991K	3/8" v/spd w/enc 14.4V XRbatt	370	199

Model	Description	List	Sale
401	Porta Nailer complete	265	205
501	Face Nailer complete	265	205

Model	Description	List	Sale
6205	5' Fiberglass	199	75
6206	6' Fiberglass	225	82

Model	Description	List	Sale
P12R	12-9/32" Planer	1470	789
P12RA	Planer/Joiner	1940	989
C8F8	4-1/2"		

FINISHING TOUCHES

PICKING THROUGH PALLETS

Half of the annual hardwood timber harvest in the U.S. becomes pallets. And about half of those pallets get discarded, reports David Muchnik. He should know. As the chairman and CEO of Big City Forest, a pallet-recycling program of Bronx 2000, a community-based, nonprofit organization in Bronx, New York, he's doing something to stem this waste.

Big City Forest receives damaged, used pallets from local businesses. Workers dismantle the pallets and salvage most of the lumber to make new pallets. They remanufacture the best stock,

though, into butcher-block furniture, parquet flooring, and other higher-value wood products.

During a 20-month pilot phase that ended last February, Big City Forest saved local companies \$528,000 on waste disposal. The effort also diverted 150,000 tons of wood from landfills, incinerators, and vacant lots, and reclaimed over 1 million board feet of lumber. "That amount of wood is equivalent to the harvest from 225 acres of hardwood timberland," David notes.

The program has helped on the labor front, too, by creating on-



Products made from recycled hardwood pallet lumber turned into butcher-block panels by Big City Forest's workers include planters and chairs, shown above, and parquet flooring.

site jobs and training opportunities. Plans are underway to build on this success story, according to Muchnik, and woodworkers in the New York City area could be helpful with developing programs. For information, contact David Muchnik, Bronx 2000, 1809 Carter Ave., Bronx, NY 10457. Call 718/731-3931.

Oh, my aching trunk!

The Indochinese country of Burma boasts the world's largest teak forests. In these forests—which contain 75 percent of the global teak stock—you'll also find the world's largest herd of working elephants.

The approximately 6,000 behemoths do all the heavy lifting in this Texas-sized nation that depends so much on teak for its foreign exchange. In order to limit damage to the forest terrain, loggers use elephants rather than machinery to haul the logs to the nearest river for rafting to a staging area. And it's an enormous task. Consider this: A mature teak tree with a trunk 7' in diameter (sometimes worth \$20,000) can weigh five tons!



Woodturners ride the reforestation bandwagon

Thanks to the tremendous efforts of the American Association of Woodturners, more than 50,000 young native hardwoods now grow to provide shade, clean air, and natural beauty in public areas across the nation. According to S. Gary Roberts of Austin, Texas, an AAW board member and reforestation coordinator, the effort kicked into high gear in the fall of 1993. "Since that time," says Gary, "AAW chapters participating in our domestic reforestation program have provided trees to burnt-over areas in California and Texas, storm-ravaged places in Florida, and to many city streets in New York and New Jersey."

Gary told us that the AAW's reforestation program follows three guidelines: The trees planted must be hardwoods; the species have to be indigenous to

the region where they're planted; and the planting area must be a public place, such as a city or county park, highway right-of-way, or national forest. "We receive trees from the National Tree Trust, a government-funded agency in Washington, D.C.," notes Gary. "They provide the tree seedlings free. It's a great thing. The AAW has 64 chapters and 4,400 members nationwide, and we're just getting started. I'd like to see more woodworking groups in this program."

For information about the AAW's reforestation effort, write S. Gary Roberts, AAW, 8613 Honeysuckle Terrace, Austin, TX 78759. To learn more of the National Tree Trust, drop a line to 11220 G St. N.W., Suite 770, Washington, DC 20005. Or call 800/846-8733.

WHY THE ROMANS WORE THEIR LAURELS



Roman emperors wore crowns made of laurel branches because the laurel tree was said to be sacred to the god Apollo. It was therefore immune to lightning. ☼

Photographs: Big City Forest Illustrations: Jim Stevenson

Caution: This lathe could be habit forming.



Turn stock 36" between centers, 12" over the cast iron bed or swivel the headstock 90° for outboard turning of work up to 16" diameter. Variable speed (500-2000 rpm) allows proper control for out-of-round and offset turning or roughing of green or seasoned wood through final finishing stages.



Anyone who works on a lathe will tell you that turning quickly becomes addictive. That wondrous treasures can be made from otherwise junk wood.

That the learning curve is rapid, once you've got the basics. And that you'll probably outgrow your first lathe.

For the most part, we'd agree. Which is exactly why we set out to design the Delta 12" Variable Speed Wood Lathe.

A lathe priced low enough to get you hooked, yet hefty enough to satisfy a rapidly growing habit. With features that will please even a long-time turner. With power and comfort and precision enough to grow on.

For the name of your nearest Delta dealer, call Delta International Machinery Corp.: 800-438-2486. In Canada, call: 519-836-2840.

Delta is proud to nationally fund these two PBS programs for woodworkers.

The New Yankee Workshop hosted by Norm Abram.

The American Woodshop with Scott Phillips.

**THE
POWER
OF THE
PROS**

DELTA
WOODWORKING MACHINERY
FOR 75 YEARS

Delta is a Pentair Company.

DEEP DOWN INSIDE THIS PIECE OF CHERRY IS A QUEEN ANNE HIGHBOY SCREAMING TO GET OUT.

It's our feeling that every piece of wood is a project waiting to happen. And that inside every woodworker is the urge to turn that plank of cherry or maple or walnut into something beautiful, if only he had the right tools.

That's where we enter the picture. At Delta, we've been building professional quality woodworking tools for 75 years. The most extensive line of stationary and benchtop tools in the industry. For the professional, the do-it-yourselfer and everyone in between. Which is why we make five

different scroll saws, nine table saws, five band saws—the list goes on and on.

We've spent our entire history satisfying the most demanding craftspeople—building quality into

every tool we make. Without compromise.

The tools you see here have the same heft and precision we put into our professional tools. Yet they're priced to fit nicely into any shop. You don't have to be a pro to work like one.

So before you start whacking away at that beautiful piece of cherry with a less than beautiful tool, call for the name of the nearest dealer, home center or hardware store carrying Delta tools. Delta

International Machinery Corp.,

800-438-2486.

In Canada, 519-836-2840.

Delta is a Pentair Company.

**THE
POWER
OF THE
PROS**

DELTA
WOODWORKING MACHINERY
FOR 75 YEARS



Delta is proud to nationally fund these two PBS programs for woodworkers. The New Yankee Workshop hosted by Norm Abram and The American Woodshop with Scott Phillips.

A shopful of quality. Delta 14" Drill Press, 14" Band Saw, Deluxe 6" Jointer, Contractor Saw II, 12" Portable Planer and 16" Scroll Saw Type II.



WOOD PATTERNS™

Full-sized for your woodworking convenience

FEBRUARY 1995

ISSUE 77

Dear Reader: As a service to you, we've included full-sized patterns on this insert for irregular-shaped and intricate project parts. You can machine all other project parts using the Bill of Materials and the drawings accompanying the project you're building.



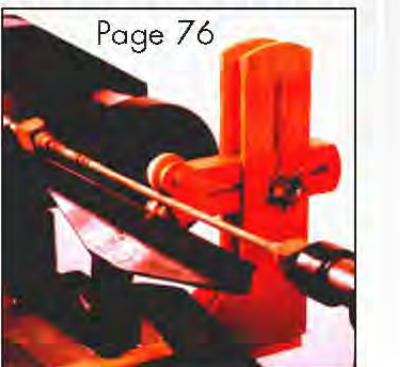
- Dowitcher carving
- Kid's playroom furniture
- Corian plantstand
- Chrysler Building clock
- Thin-turning steady rest

Page 54

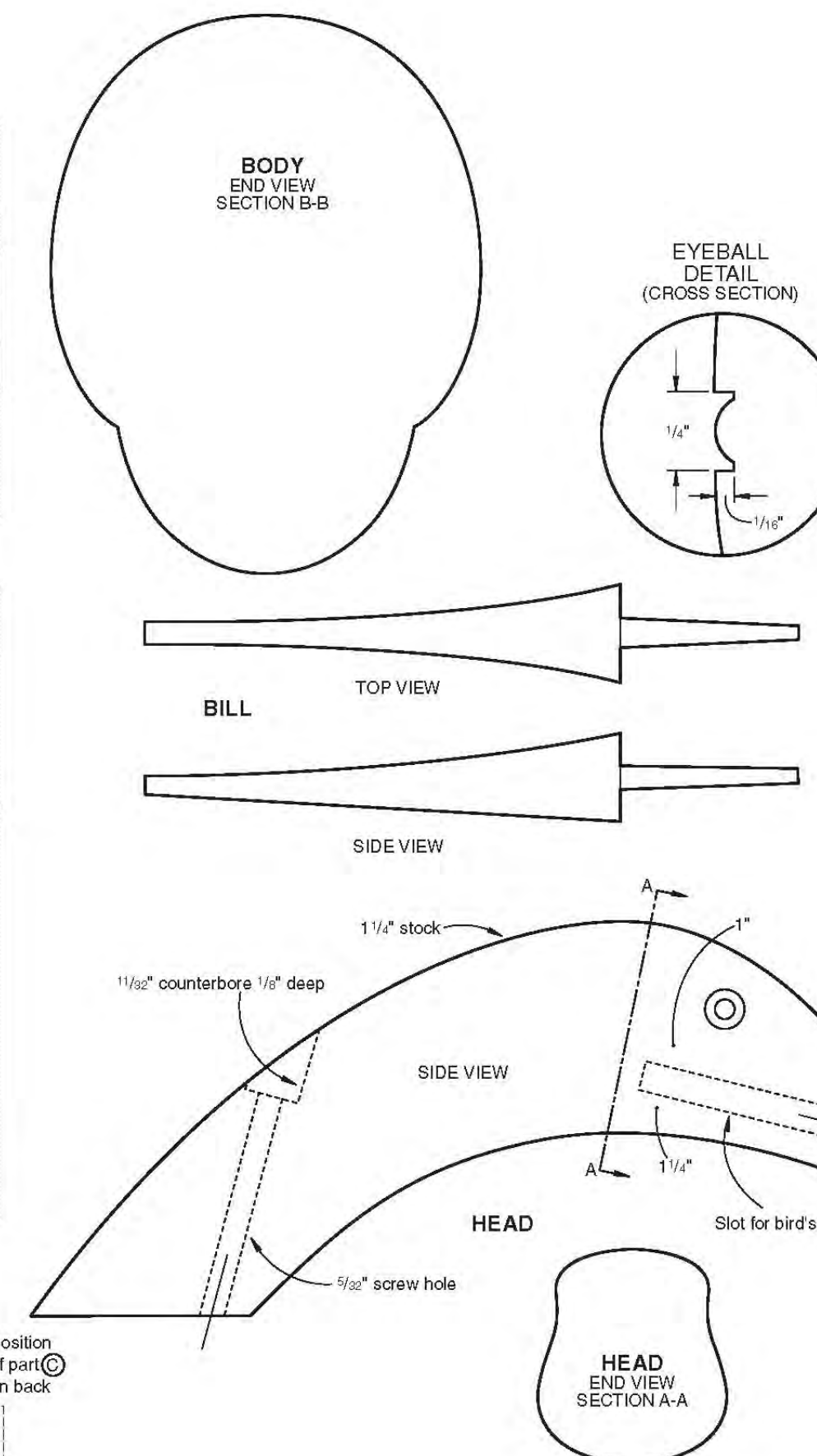
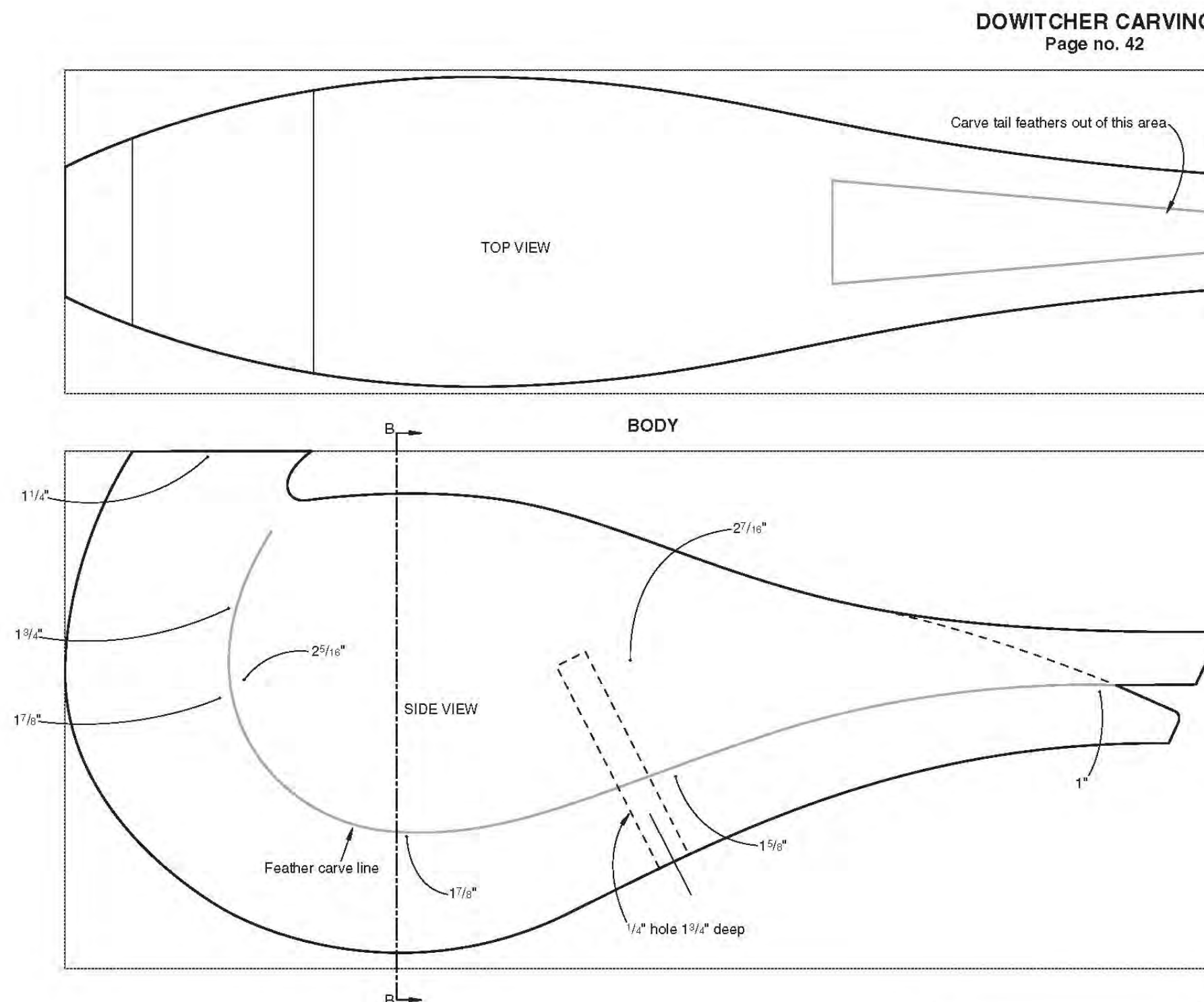
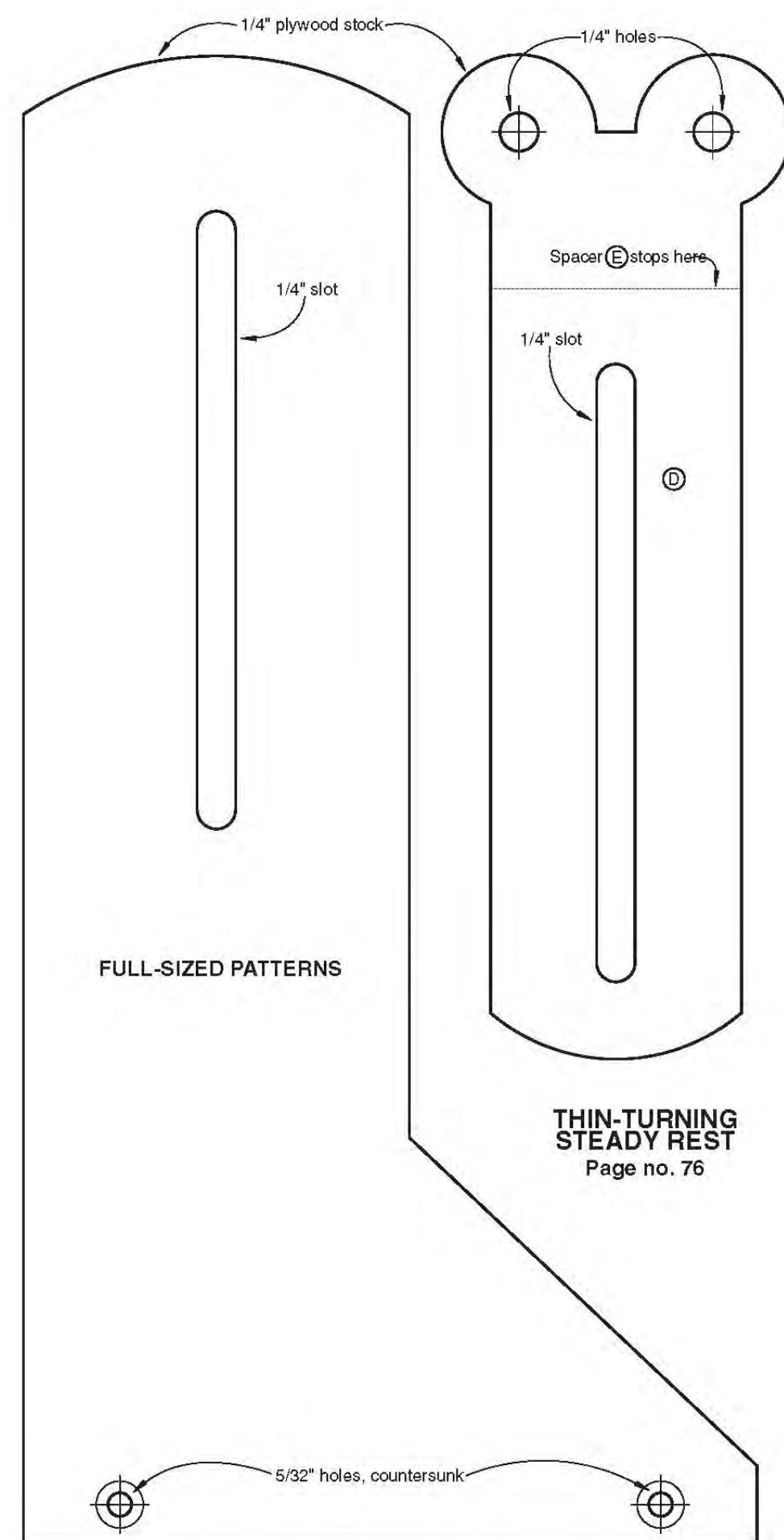


Page 60

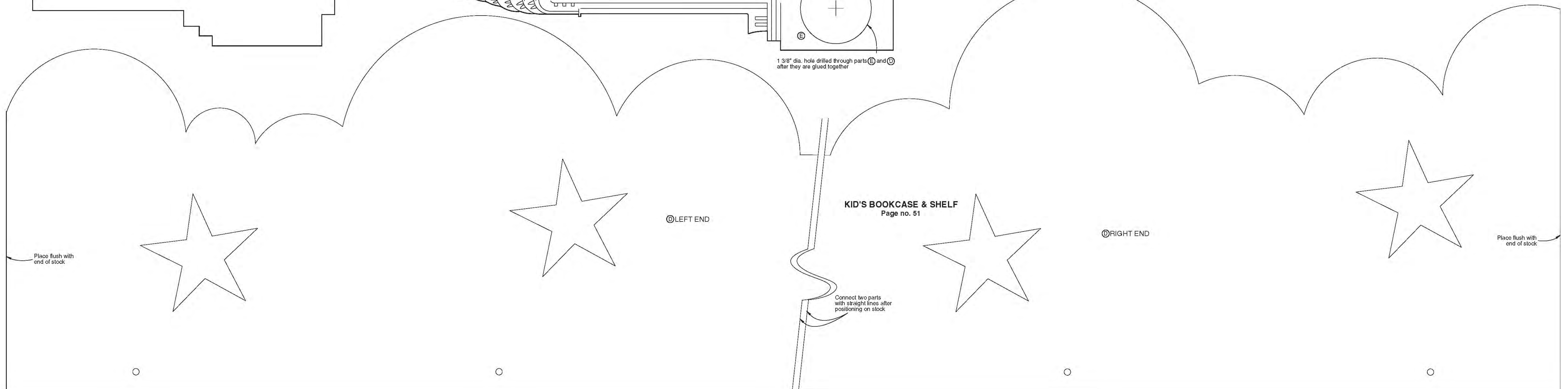
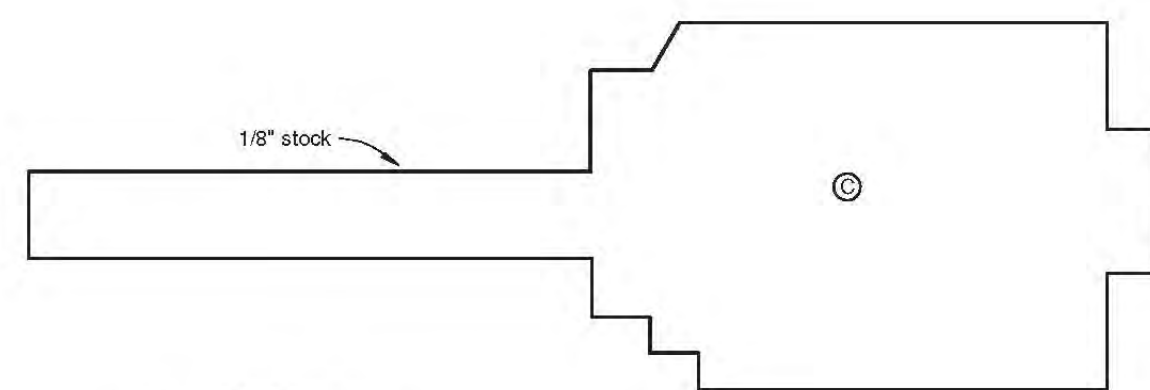
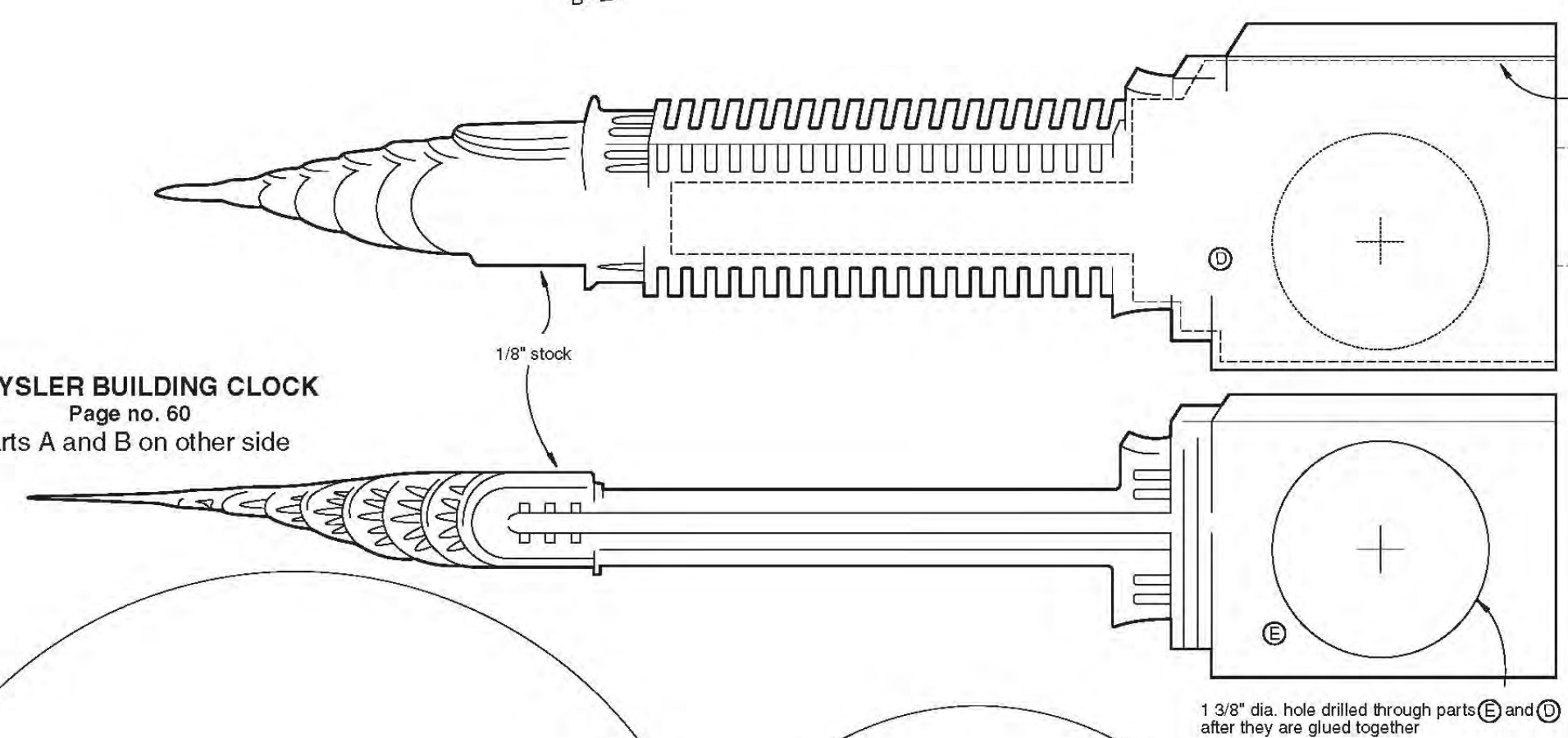
Page 76



© Copyright Meredith Corporation, 1995. All rights reserved. Printed in the U.S.A.



CHRYSLER BUILDING CLOCK
Page no. 60
Parts A and B on other side



©CHAIR STRETCHER

CHRYSLER BUILDING CLOCK
Page no. 60
Parts C, D, and E
on other side

FULL-SIZED PATTERNS

CORIAN
PLANT STAND
Page no. 54

KID'S FURNITURE
Page no. 46

TABLE LEG

MOON PATTERN
(BOOKCASE
AND SHELF)

STAR PATTERN
(FOR PLAYING PIECE
FOR TABLE
CHECKERBOARD)

CHAIR SIDE

BOOKCASE SIDE
CUTOUT PATTERNS

CHAIR BACKREST

BOOKCASE SIDE
PATTERN

