

Learn the ABCs of mortise-and-tenon joinery

Better Homes and Gardens®

CUMULATIVE
INDEX
for issues 86 to 94

WOOD

THE WORLD'S LEADING WOODWORKING MAGAZINE

JUNE 1997 ISSUE NO. 97

**SAW YOUR
OWN LUMBER**
*Have fun and
save \$\$\$*

See page 68

SIZZLING OUTDOOR PROJECTS

- **Bench planter**
- **Bird feeder**
- **Potting center**
- **Door knocker**



USA \$4.95

Display until June 10

GRIZZLY

MACHINES!

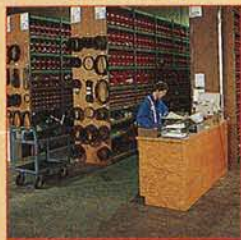
Precision. Power. Performance. Everything you expect from great woodworking machines at prices impossible to beat! And when it comes to service and technical manuals, Grizzly is second to none. Check us out!



IMPORTS, INC.



Friendly & Knowledgeable Operators!



Parts Department



"Among the best manuals offered by any manufacturer or importer."
WOOD® Magazine 4/92



Terrific After-Service In-House Motor Rewind Shop

10" TABLESAW
G1022 ~~\$375⁰⁰~~ **\$345⁰⁰**



- HEAVY-DUTY RIP FENCE WITH MICRO-ADJUSTMENT KNOB
- QUICK-LOCK FENCE
- ALL BALL BEARING MECHANISM
- BEVELED TABLE EDGE
- 1½ H.P. SINGLE PHASE, 110/220V MOTOR
- STURDY STAND
- PRECISION-GROUND CAST IRON TABLE AND EXTENSIONS
- SHIPPING WEIGHT: APPROX. 270 LBS.

HEAVY-DUTY 10" TABLESAW
G1023 ~~\$795⁰⁰~~ **\$725⁰⁰**



- 3 H.P. SINGLE-PHASE 220V MOTOR
- SOLID CAST IRON TABLE
- TABLE HAS T-SLOTS
- TABLE SIZE IS 36½" X 27½"
- EXTRA-LARGE HANDWHEELS
- ¾" DIAMETER ARBOR
- MAGNETIC SAFETY SWITCH
- TRIPLE V-BELT DRIVE
- SHIPPING WEIGHT: APPROX. 425 LBS.

President's Special!

G1071
SPINDLE SANDER
• 10 SPINDLE SIZES
• 25" X 25" TABLE TILTS 45°
• 1 H.P. MOTOR
• SHIPPING WT.: 345 LBS.
\$495⁰⁰



G1035
1½ H.P. SHAPER
• 2 SPEED, FORWARD AND REVERSE
• 2 SPINDLE SIZES: ½" & ¾"
• SHIPPING WT.: 225 LBS.
\$425⁰⁰



G1182
6" X 47" HEAVY-DUTY JOINTER
• ½" RABBETING CAPACITY
• 1 HP, 110/220V MOTOR
• SHIPPING WT.: 250 LBS.
\$375⁰⁰ \$349⁹⁵



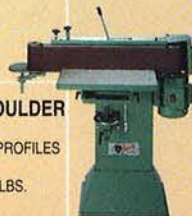
G1066
24" DRUM SANDER
• 5 HP, 220V SINGLE PHASE MOTOR, 25 AMPS
• SHIPPING WT.: 500 LBS.
\$1095⁰⁰



G1037
13" PLANER/MOULDER
• 2 FEED SPEEDS
• WIDE VARIETY OF PROFILES AVAILABLE
• SHIPPING WT.: 240 LBS.
\$695⁰⁰



G1140
6" X 80" EDGE SANDER
• 1½ HP, 110V, 220V MOTOR
• VERTICAL & HORIZONTAL SANDING
• SHIPPING WT.: 252 LBS.
\$450⁰⁰



G1495
HEAVY-DUTY WOOD LATHE
• ¾ HP, 110V SINGLE MOTOR
• INDEXED SPINDLE: 30°
• 7 SPEEDS: 500-3000 RPM
• SHIPPING WT.: 275 LBS.
\$695⁰⁰



G4009
HEAVY-DUTY FLOOR MODEL
• ½ H.P. TEFC MOTOR
• 110V, 3.9 AMPS
• 360° TABLE SWING
• U.S.A. MOTOR
• SHIPPING WT.: 205 LBS.
\$239⁹⁵



G1029
2 H.P. DUST COLLECTOR
• 1182 CFM
• HANDLES 2 MACHINES
• SHIPPING WT.: 140 LBS.
\$275⁰⁰ \$255⁰⁰
W/ FREE HOSE



124896658

67J ALL ITEMS ABOVE ARE F.O.B. BELLINGHAM, WA OR WILLIAMSPORT, PA

WEST OF THE MISSISSIPPI

P.O. BOX 2069, BELLINGHAM, WA 98227
Customer Service: (360) 647-0801 FAX: (800) 225-0021

1-800-541-5537



Call for your Free Woodworking Catalog Today!

EAST OF THE MISSISSIPPI

2406 REACH ROAD, WILLIAMSPORT, PA 17701
Customer Service: (717) 326-3806 FAX: (800) 438-5901

1-800-523-4777



Visit us at <http://www.grizzlyimports.com>

Circle No. 860

Editor LARRY CLAYTON
Managing Editor JIM HARROLD
Art Director C. L. GATZKE
Design Editor JAMES R. DOWNING
Senior Editor/Features PETER J. STEPHANO
Senior Editor/How-To MARLEN KEMMET
Assistant Managing Editor/Products BILL KRIER
Senior Editor/Special-Interest LARRY JOHNSTON
General-Interest Editor KERRY GIBSON
Associate Art Director PERRY A. McFARLIN
Assistant Design Editor/Project Builder JAN HALE SVEC
Project Builder CHARLES I. HEDLUND
Production/Office Manager MARGARET CLOSNER
Graphic Designer CHERYL A. CIBULA
Administrative Assistant NATALIE COOLEY
Contributing Editors KIM DOWNING, DAVE HENDERSON,
LORNA JOHNSON, ROXANNE LeMOINE, BOB McFARLIN,
MIKE SATTERWHITE

©Copyright Meredith Corporation 1997
All rights reserved. Printed in the U.S.A.

Better Homes and Gardens® WOOD® magazine (ISSN-0743-894X) is published nine times a year in January, February, April, June, August, September, October, November, and December by Meredith Corporation, 1716 Locust St., Des Moines, IA 50309-3023. Periodicals postage paid at Des Moines, Iowa, and additional mailing offices. Better Homes and Gardens trademark registered in Canada and Australia. Marca Registrada en México. ONE-YEAR SUBSCRIPTION PRICES: U.S. and its possessions, \$25; Canada, \$36; other countries, \$45. Canadian GST Reg. #BN 12348 2887 RT. POSTMASTER: Send address changes to Better Homes and Gardens WOOD Magazine, P.O. Box 55050, Boulder, CO 80328-5050.

CUSTOMER SERVICE INFORMATION: For service on your magazine subscription including change of address, phone toll-free 800/374-9663. Or, write to Better Homes and Gardens WOOD Magazine, P.O. Box 55050, Boulder, CO 80328-5050. Please enclose your address label from a recent issue.

EDITORIAL INFORMATION: Address letters and questions to THE EDITOR, WOOD Magazine, 1912 Grand Avenue, Des Moines, IA 50309-3379.

ATTENTION RETAILERS: To carry WOOD magazine in your store, call 800/659-5990, or write: Select Title Program, WOOD magazine, 902 Paramount Parkway, Batavia, IL 60510.



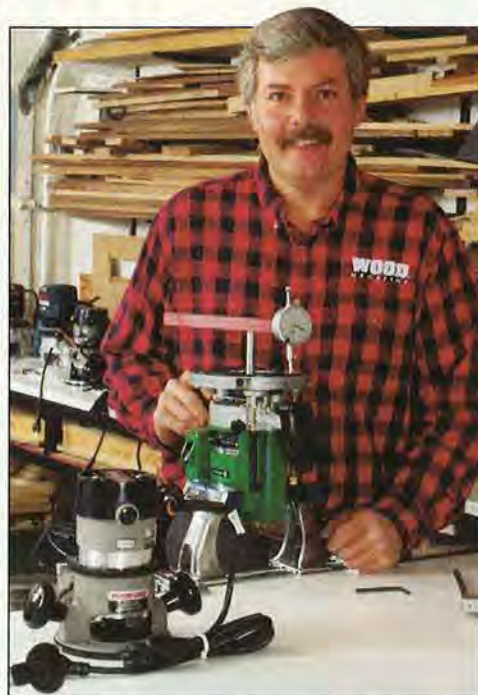
Better Homes and Gardens®

WOOD Online™
at <http://woodmagazine.com>

If you haven't checked out WOOD ONLINE lately, you'll want to take a look. We now have seven wood-working programs in the software library, and you can download any or all of them free.

And when you're looking for project plans, start with WOOD ONLINE. You can peruse the WOOD PLANS® collection, and order your plan through the site. You also can search our online index of all WOOD magazine issues, then order the back issue that contains the plans you need.♣

He's One *Grrreat* Product Tester



Ever since I met Dave Henderson several years ago here at the WOOD® magazine offices, I've had a lot of respect for him. He's resourceful, self-made, smart, knowledgeable, a good family man, and if that weren't enough, he's one of our two independent product testers. (You met our other tool expert, Bob McFarlin—The Dynamometer Man—in the August 1996 issue.)

I recently caught up with Dave at his workshop as he was testing some routers for an upcoming issue. And I thought you might be interested in learning a little bit about his tool-testing philosophy via our discussion.

Larry: Correct me if I'm wrong here, but you are not making a fortune testing tools for us.

Dave: That definitely would be an accurate statement.

Larry: So what's your motivation for doing this work?

Dave: Over time, I've spent a lot of money on tools that marketing people have done an excellent job of selling, but that in real life don't live up to the advertising.

Larry: What are you trying to accomplish for our readers as you do your testing?

Dave: I hope readers use the information Bob and I provide to buy the best tool for their money. I understand that most of our readers aren't rich and that they can't afford to waste money.

Tool-testing expert Dave Henderson in his shop testing a group of routers for an upcoming issue of WOOD® magazine.

Larry: How do you view your relationship with woodworking-tool manufacturers?

Dave: I think that we've earned the respect of manufacturers by treating their products fairly, while being honest with our readers about the performance of those tools.

Larry: Do you ever get surprised during the course of your testing?

Dave: When I go into a test with preconceived notions about this or that tool, they invariably get blown out of the water.

Dave said quite a bit more during our chat, but I think you get the idea. He's serious about trying to get at the facts so you can make informed tool-buying decisions. Thanks for doing a great job, Dave!

To see yet another woodworking side of this interesting guy, please turn to page 68, and there you'll find Bill Krier's article chronicling Dave's exploits as a fearless backyard sawyer. It's fun, fascinating reading.♣

Larry Clayton

Better Homes and Gardens®

WOOD®

THE WORLD'S LEADING WOODWORKING MAGAZINE

CONTENTS

Page 31

31 A pro at production

Discover how a California woodworker shaped a profitable business in architectural turnings.

42 What a difference a day makes

Visit The Woodworkers' Place, a unique adult woodworking class in Pasadena, California.

50 How to edge-joint bowed stock

Try our techniques for salvaging bent boards.

62 Mortise-and-tenon joinery

Learn a simple and reliable approach for making the most time-honored joinery in woodworking.

68 Saw and save

See how one man cuts thousands of board feet from logs using an inexpensive chainsaw mill.

72 WOOD index

Add this handy 9-issue reference to your library.

Woodworking projects in this issue**36 Planter/bench**

Build and arrange the modular components here to create an exciting outdoor living area.

47 Avian acres

Treat the birds with our farmland feeder.

54 Potting center

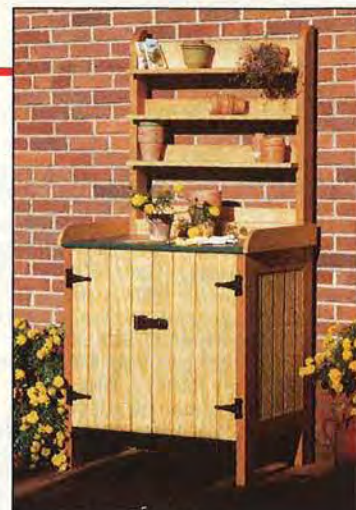
Please a gardener with this handy workstation.

57 On-the-money tenoning jig

Cut tenons quickly and easily on your tablesaw with this precision workshop project.

76 Natural-born knocker

Put this woodpecker to work on your front door.



Page 54



Page 42



Page 57



Page 62



Page 36

SHORT-SUBJECT FEATURES**1** The Editor's Angle**4** Talking Back**9** What Woodworkers Need To Know**14** Tips From Your Shop (And Ours)**20** Great Ideas For Your Shop**22** Tool Buyer's Update**24** Ask WOOD**78** Where Safety Begins**81** Wood Anecdote**102** Tool Industry Insider**104** Finishing Touches

This issue's cover wood grain: northern white cedar

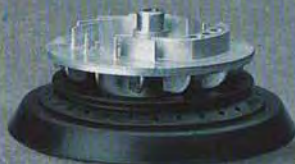
**TO THOSE OTHER PALM GRIPS
CLAIMING TO HAVE A LOT OF POWER,
WE HAVE A REPLY: EAT DUST.**



Dual-range Swift-Sand™ system lets you shift between fine finishing and high speed stock removal at a button's touch.



Harness the fury of the most powerful random orbit palm grip in the industry.



Integral dampening system regulates pad speed and helps prevent accidental workpiece damage.



This one tool lets you sand dowels flush quickly and finish cross grain and large panels flawlessly.

Introducing The Bosch 1295 series of random orbit palm grip sanders. Three different models all packed with plenty of extra muscle. You could say the playing field for other palm grips just became very uneven.

BOSCH



ENGINEERED FOR PERFORMANCE™

Get Back To Nature.

Peel off paint & varnish as easy as peeling an orange.



Citristrip is the only stripper with a pleasant orange scent and a powerful No Methylene Chloride formula. It also stays wet and active over 24 hours, so you can strip away multiple layers and

complete your entire project in one easy step. For more info 1-800-899-0401.



Better Homes and Gardens

WOOD Advertising & Marketing

THE WORLD'S LEADING WOODWORKING MAGAZINE

Publisher **WILLIAM R. REED**
Advertising Director **MARK HAGEN**

Display Advertising: 333 N. Michigan Ave., Suite 1101, Chicago, IL 60601 Phone: 312/853-2890 FAX: 312/580-7906
Eastern Advertising Manager **JAMES N. FORD**
Western Advertising Manager **WILL MURPHY**
Administrative Assistant **JENNIFER HAMMEL**

Direct Response Advertising: 1912 Grand Ave., Des Moines, IA 50309-3379 Phone: 515/284-3785 FAX: 515/284-3343
Direct Response Advertising Manager **LISA WIEMKEN**
Direct Response Advertising **CINDY ANDERSON,**
PATRICK MADDEN

Administrative Assistant **MICHELLE GLOWACKI**
Classified Advertising: Phone: 800/424-3090 FAX: 312/464-0512

Ancillary Sales Director **MAUREEN RUTH**
Marketing Manager **RICK PALLISTER**
Marketing/Ad. Services Supervisor **PAT HENDERSHOTT**

Associate Circulation Director **KATHI PRIEN**
Business Manager **JANET DONNELLY**
Senior Product Manager **RICK GROW**
Publishing Director **MAX RUNCIMAN**
MEREDITH PUBLISHING GROUP

CHRISTOPHER M. LITTLE, President
BILL MURPHY, Custom Marketing; **JERRY KAPLAN**, Group Sales;
MAX RUNCIMAN, Controller; **BRUCE HESTON**, Manufacturing;
HAL ORINGER, Circulation; **DEAN PIETERS**, Operations

Meredith
CORPORATION

JACK D. REHM, Chairman of the Board
WILLIAM T. KERR, President and Chief Executive Officer

E. T. MEREDITH III, Chairman of the Executive Committee

TALKING BACK

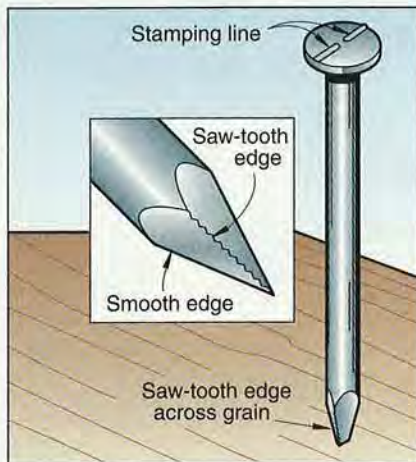
Another pointer for driving nails

I just finished reading your article "What Woodworkers Need to Know: A Few Points on Nails" in the January 1996 issue. However, your article didn't mention this basic method for driving a nail and not splitting the wood: You can position a nail so that it cuts the wood grain rather than separates it.

This technique works because all nails are made by stamping. This produces nails that have two rough and normally sharp edges and two opposite smooth edges on the point. When you position the rough, saw-tooth edges across the grain, the nail will act as a chisel and slice through the wood grain.

If you have difficulty telling the edges on the point apart, take a look at the nailhead. There you will see a stamping line. This line lies in the same plane as the sharp edges of the nail. As you set the nail to drive it into the wood, align this stamping line across the grain. It'll soon become a habit.

—Edgar Poulin, Sherbrooke, Quebec, Canada



More phone numbers

In our review of rip fences in the February 1997 issue, we did not mention two toll-free phone numbers. You can reach Voss Technologies, maker of the Pro-Rip and Evolution 1, at 800/386-5883. And, to reach the folks at RRR Safety Products, maker of the Vac-U-Fence, call 888/822-8336.

How to reach us

We welcome comments, criticisms, suggestions, and even compliments. We'll do our best to respond, perhaps even on this page! You can "talk back":

- **Via mail.** Send your letter to Talking Back, *WOOD*® magazine, 1912 Grand Ave., Des Moines, IA 50309-3379.
- **Via computer.** Send e-mail to: 74404.3516@compuserve.com Compuserve members use: 74404,3516

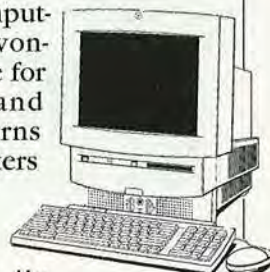
JET dust collector has steel impeller

In our review of dust collectors in the April 1997 issue, the chart on page 63 contained incorrect information. The JET DC650, which was selected as a Top Value among the 1-hp collectors, has a steel-plate impeller, not a plastic impeller as noted in the chart.



Templates for signs just a mouse-click away

The home computer will work wonders as a source for templates and alphabet patterns that woodworkers can use with the "You Can Be a Sign-Making Pro" jig shown in the November 1996 issue. I frequently use my drawing programs to produce a variety of number and alphabet patterns. I print out the letters to the required size, use spray adhesive to glue the paper template to a suitable board, and then scrollsaw the letters to shape. Only your imagination will limit the size and variety you can achieve. ♣



—Theron J. Andrews, Aberdeen, Md.



"Freud's new Dial-A-Width Dado set is the most innovative dado set we've ever seen."

American Woodworker Magazine, December 1996

Spend your time being totally amazed with this incredible dado but don't spend a lot of time looking for shims . . . there aren't any. Now with a turn of the dial you can have the super fine adjustments that you have always needed in a stack dado. No more shimming and no more wasted time . . . a simple click of the dial is all that you need.

The new Dial-a-Width dado is the best dado that has come along in years. See for yourself how easy it is to use on your table saw or radial arm saw. Check out the precise joints. Look at the flat bottom groove. You will know immediately that it is not a wobble dado. Notice that the sharp, splinter-free cuts are those that you have come to expect from Freud. This dado produces the best finish and highest quality cuts of any dado available today.

The Dial-a-Width dado does perform like a stack dado but we have replaced the shims with a patented dial system. With our exclusive hub dial you can be totally sure of the accuracy of your adjustments. Each "click" of the dial adjusts the blade by .004". These are very precise adjustments. But if you need a closer adjustment . . . no problem. Simply stop the dial between "clicks".

The Dial-a-Width dado is easy to use, very precise and provides exceptional cuts. For the serious woodworker, there's nothing better.

freud®

Precisely what you need.

Call for a free catalog 800-472-7307, or E-Mail freudinc@aol.com

Circle No. 1321



Splinter free, flat bottom grooves in all materials including problem materials like veneered plywood or melamine.



Dial system with precise width adjustment, eliminates shimming.



Includes arbor wrench and a sturdy storage case.

Always disconnect power before making adjustments. Red is a registered trademark of Freud, USA, Inc.

U.S. Patent 5,368,079



When Wood Finishing Is Easier, Everything Turns Out More Beautifully.

The look of beautiful natural wood. The feeling of a smooth, fine finish. New *Olympic*® Interior Wood Stain, with the unique *Absorption Control*™ Formula that minimizes blotches, streaking and lap-marks, makes it easier to get both these beautiful results.



It's also easier to protect those results with the unique *Smooth Flow*™ Formula in new *Olympic*



Interior Polyurethane.

Discover how the leading name in exterior wood protection brings the beauty of natural wood indoors. Look for all-new *Olympic* Interior Wood Finishing Products, or call 1-800-441-9695 for a retailer near you.




OLYMPIC®
INTERIOR PRODUCTS

OK, Hold It.



Now Spread 'Em.



The innovative POWER PRESS™ Pipe Clamp, from the makers of QUICK-GRIP® Bar Clamps, is more than just a pipe clamp. By simply reversing the two movable clamping sections, it quickly becomes a spreader. Perfect for all kinds of woodworking applications, the POWER PRESS Pipe Clamp can do anything a regular pipe clamp can do, only faster. It works on both threaded and unthreaded pipe. And two rubber pads keep gripping surfaces from marring your work. The most versatile pipe clamp to hit the shelves, the POWER PRESS Pipe Clamp is going to revolutionize the way you work.

Look for it wherever quality tools are sold.

Power Press™
AMERICAN TOOL
COMPANIES, INC.

FROM THE MAKERS OF QUICK-GRIP® BAR CLAMPS



What
woodworkers
need to know

Chisels

Still handy after all these years

Even though the chisel dates back to the dawn of wood-working, it can still do a lot of things for you today.

Simplicity in itself

Tools don't come much simpler than the chisel, as shown *below*. Though the drawing shows one with a wooden handle, many today feature plastic handles. Plastic handles absorb shock and resist deformation at the end when driven by a mallet, making them ideal for general shop use. (The chisels in the *WOOD*® magazine shop have plastic handles.)

If you buy a wooden-handled chisel and you'll be using a mallet on it, look for one with a leather washer between the bolster and the handle to help absorb shock. A steel hoop around the top of the handle minimizes mushrooming. (Stouter double-hooped handles feature one steel hoop at the

top and another in place of the brass ferrule at the bottom.)

Names are not important

Over the centuries names by the hundreds have been heaped upon chisels. You'll hear references to the *firmer chisel* (an ordinary, general-purpose chisel with a blade 3-5" long), *butt chisel* (a shorter chisel), *framing chisel* (a wider, heavier one), *mortise chisel* (a longer version), *paring chisel* (one with a long, flexible blade), and more.

But when you're buying chisels, those names don't mean much. You'll do better to pick a chisel by looking at it and assessing how well it fits your needs than by relying on a name. A blade of high-carbon steel and a durable handle are the most important features.

Keep chisels sharp

Don't even try to use a dull chisel. Hollow grind the edge on a grinding wheel, maintaining the factory bevel angle. Then hone the blade on a flat oilstone or waterstone, using a sharpening jig such as the one shown *below*.

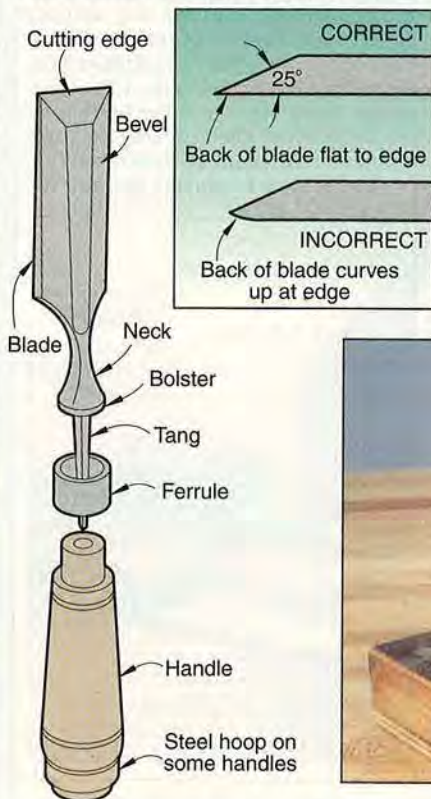
Be sure, too, to keep the back of the blade flat all the way to the cutting edge. If it curves up as shown in the illustration *below left*, the chisel may be hard to control and won't cut cleanly.

Putting chisels to work

Chisels handily meet many workshop situations. But, leave such things as opening paint cans or prying off door and window trim to the proper tool. You *can* use the chisel to clean off dried glue squeeze-out, pare down a tenon to fit a mortise, or trim a plug flush to a surface. Here are some other chores where the chisel comes in handy:

Cleaning a mortise

After drilling to remove most of the waste, go in with a chisel to finish a mortise. Work with the bevel up—that is, facing away from the mortise wall. For a through mortise, cut inward from both sides to prevent splintering the back.



Continued on page 10

You deserve
a vacation...
Our bandsaws
will give you one

Who needs civilization when you have a Laguna Tools Bandsaw on a desert island? We give you more power, more re-saw and more Bandsaw for your money. Our European Bandsaws give you dynamically balanced cast iron wheels, professional guides, large blade capacities and heavy duty cast iron tables. Models range from 13" to 36".



Call now
**(800)
234-1976**
for your
FREE
demonstration
video
getting
you closer
to your
vacation.

LAGUNA TOOLS

2265 Laguna Canyon Road
Laguna Beach CA 92651
800-234-1976 • FAX 714-497-1346
lagunatools@earthlink.net

What
woodworkers
need to know

Chisels

Continued from page 9

Squaring corners

The chisel shines for squaring up corners, as in this routed rabbet. First, hold the chisel vertically to make a cut extending each side to the corner (left). Then, remove the waste with a



cut into the side of the rabbet (right). Toward the bottom of the rabbet, turn the chisel over and work with the bevel flat against the wood.



Inletting hardware

Set hinges and other hardware into shallow mortises so they'll sit flush with the surface. Trace the item's outline on the wood with a knife blade. Holding the chisel perpendicular to the surface with the back of the blade to the line, cut to the required depth. Then, clean out the shallow mortise with the chisel. Here you work with the bevel down.



Dadoing

Cut the sides of the dado to depth with a backsaw or chisel. Then, clear out the waste with a chisel of appropriate width. A scrapwood gauge block, shown, guides the chisel straight into the end of the dado for a flat bottom. (You don't need it as you cut farther in.) To bring the top of the gauge block flush with the bottom of the dado, shim it with a 3x5" notepad opened to the required thickness. Cut from both ends to prevent tearout.



THE NEW RYOBI DETAIL BISCUIT JOINER

THE DIFFERENCE BETWEEN WOODWORKING AND WOODNOTWORKING.

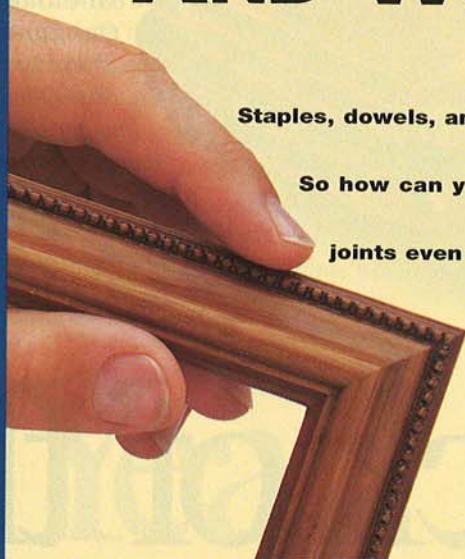
Staples, dowels, and glue won't do. Standard-size biscuits won't fit.

So how can you make neat, tight, professional joints even in small stock? With Ryobi's new

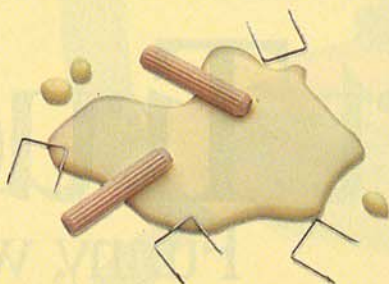
Detail Biscuit Joiner, that's how.



Standard biscuits stick out of small joints, and the mis-match shows, even after you trim the excess.



The new Ryobi Detail Biscuit Joiner uses miniature "Accu-biscuits" for neat, tight, professional joints.



This compact powerhouse cuts smaller slots and uses miniature "Accu-biscuits™" to fit where standard biscuits don't. And its price is as small as its biscuits. But the Detail Biscuit Joiner is big on performance, from its beefy motor to its die-cast

base and see-through fence. So see the

new Ryobi Detail Biscuit Joiner at your

local home center. It'll get

your wood working like

never before.

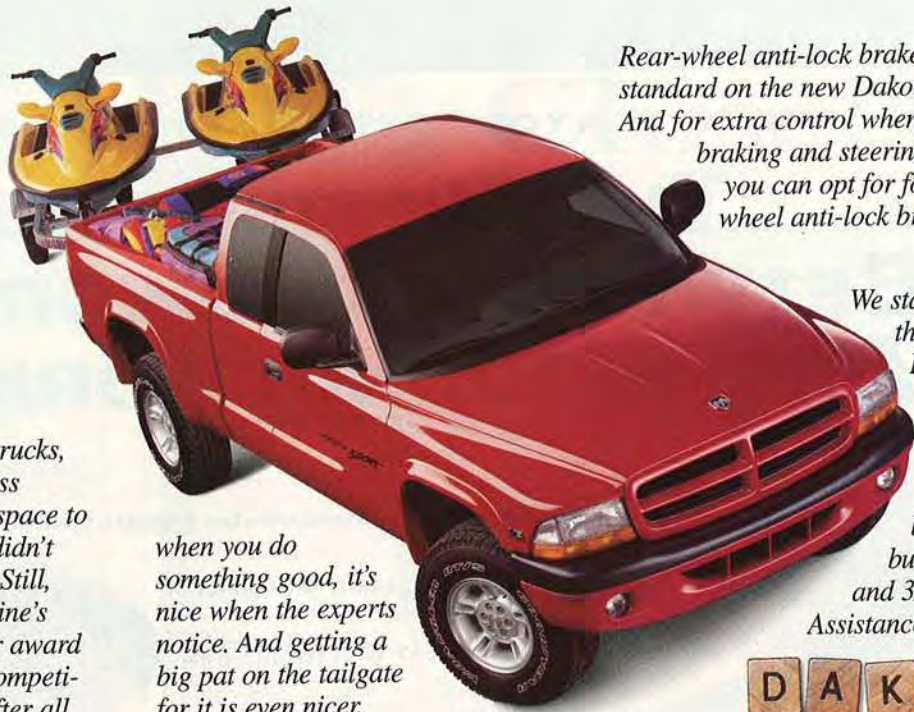
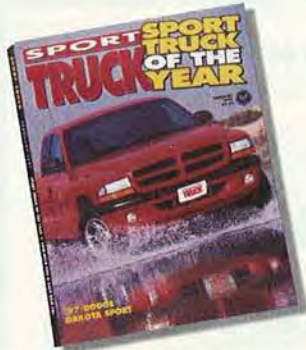


Ryobi "Accu-biscuits" (actual size).



The Ryobi Detail Biscuit Joiner does everything that a bigger tool does, and fits in small joints where a bigger tool won't.

RYOBI
Exceed Your
Expectations™



Rear-wheel anti-lock brakes are standard on the new Dakota. And for extra control when braking and steering, you can opt for four-wheel anti-lock brakes.



To those who know Dodge trucks, Dakota's slew of best-in-class designations, from interior space to available towing capacity, didn't exactly come as a surprise. Still, winning Sport Truck magazine's 1997 Sport Truck of the Year award in the face of world-class competition, was very gratifying. After all,

when you do something good, it's nice when the experts notice. And getting a big pat on the tailgate for it is even nicer.

We stand behind the name Dakota, with our Customer One Care™ 3-year or 36,000-mile bumper-to-bumper warranty and 3/36 Roadside Assistance.†



"Sport Truck of the Year" Funny, we weren't surprised.



Dakota Club Cab's roomiest-in-class interior features a forward-facing rear bench, with enough hip room to seat three across. Your passengers will be beside themselves with comfort.

The taut, precise, sport-sedan steering feel we gave the all-new Dodge Dakota was another pleasant surprise for

Sport Truck magazine's test-drivers



The new Dodge Dakota offers a choice of Magnum® engines: a gutsy standard four cylinder, a powerful 175-horsepower V-6, or a 230-horsepower V-8—the only V-8 in the class. Now that's a lot of juice.





We code many of the new Dakota's plastic parts for the day they can be recycled. Because, like you, we think the world of the environment.

You can opt for a premium Infinity® stereo system with cassette and CD player in the new Dodge Dakota. Eight speakers in six locations kick out some real concert-quality sound.



Once again, Dodge opens new doors for Dakota owners. This time, with available remote keyless entry.



e Year.”



We call it cargo. You call it stuff. Whatever you call it, there's more room for it in the all-new Dodge Dakota than in any other truck in its class.

High-strength steel door beams give you the feeling of being in a real secure place.



For more surprising facts, call 1-800-4-A-DODGE, or visit our Web site at <http://www.4adodge.com>



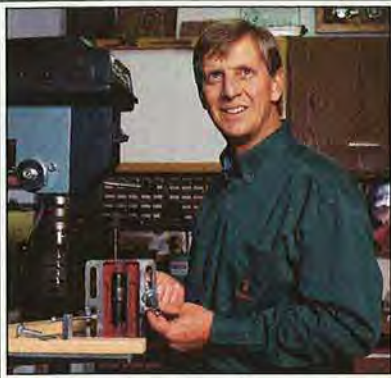
†See limited warranty & restrictions at dealer. Excludes normal maintenance & wear items.



Sport 4x2

The New Dodge Dakota
It's full of surprises.





Top Shop Tip winner Max Strain shows off his prizewinning idea.

Our Top Shop Tip winner for this issue spends his weekdays teaching science at Pioneer Trail Junior High School in Olathe, Kan. Outside the classroom, he devotes much of his extracurricular time and summers to woodworking.

Max Strain, 45, specializes in building wind chimes and folding deck chairs, and the need for drilling consistently spaced holes led to his winning tip. In the summertime, he runs a one-man deck-building service.

Your solution to a particular woodworking problem may be worth \$40. If it's selected as the Top Shop Tip, you'll win a tool prize valued at \$250 or more, and we'll include your photo in this column. To submit a tip, send a letter, including your daytime phone number, with a photo or drawing of your idea, to:

**Tips from Your Shop
(And Ours)**

**WOOD® Magazine
1912 Grand Ave.**

Des Moines, IA 50309-3379

We try to publish original shop tips, so please send your idea only to *WOOD* magazine. Also note that we cannot return submissions. Thanks!

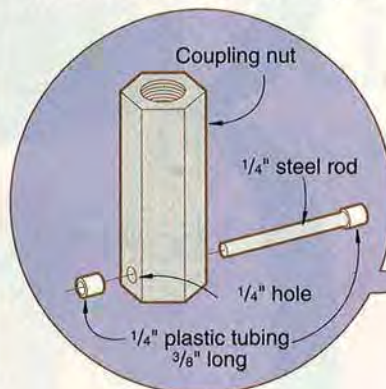
Kerry Gibson

GENERAL-INTEREST EDITOR

Coupling nuts end drill-press fumbling

I make wind chimes for gifts, using copper or aluminum tubing suspended from an oak top. Before I can tie the tubes to the wood, I have to drill holes in them. And believe me, those holes have to be in exactly the right spot so everything lines up. That means I have to frequently reposition the vise on my drill-press table, which always had me fumbling around the thick table supports with a wrench. I finally decided, "There's got to be a better way."

I bought two coupling nuts, 1½" long, to replace the nuts on the carriage bolts that hold the vise in place. Then I drilled ¼" holes through the coupling nuts near the bottom end and put

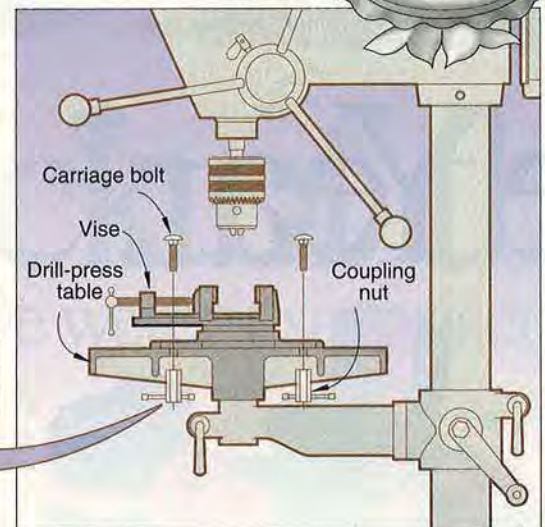


As our Top Shop Tip winner, Max receives a Makita 6233DWAE 14.4-volt, ⅜" cordless driver drill kit. Congratulations, Max.

a short rod through each one. Short pieces of plastic tubing pushed onto the ends of the rods keep them from sliding out.

The coupling nuts give me easier access for adjustments to the vise. And the rod provides greater torque for tightening and loosening.

—Max Strain,
Olathe, Kan.

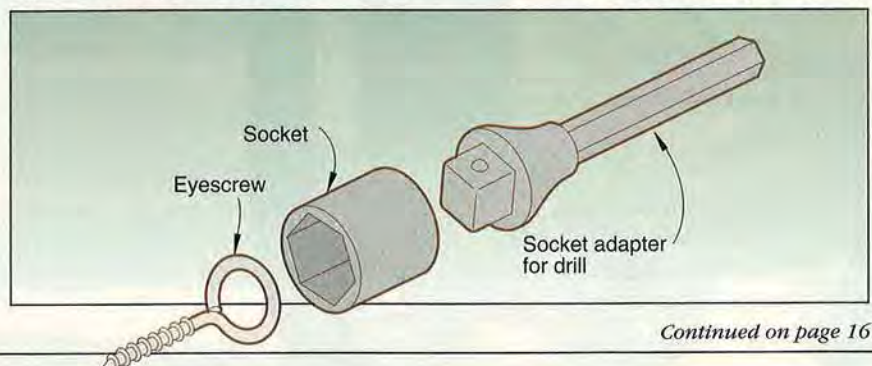


Socket and drill quickly drive home eyescrews

One weekend I had to install more eyescrews than I wanted to do by hand. So I found a hex socket that fit snugly over the eyescrews, installed a socket

adapter in my cordless drill, and got busy. It made short work of an otherwise tedious job and left me time for other projects.

—Ron Tye, Yorba Linda, Calif.



Continued on page 16



The new Dremel Contour Sander. It does jobs your hands won't touch.

The new Contour Sander from Dremel means an end to hand sanding. The quick-change contours are available in eighteen unique shapes and can be easily customized so there's nary a nook or cranny you can't sand. It's compact, lightweight, and with variable speeds up to 8,500 strokes per minute, it does jobs fast and easy. Even tough projects you'd never have tackled before. Get the versatile new Dremel Contour Sander at major hardware and home center stores. For more information and your nearest retailer call Dremel at 1-800-437-3635.



DREMEL
Tools for the Imagination™
www.dremel.com



TIPS FROM YOUR SHOP (AND OURS)

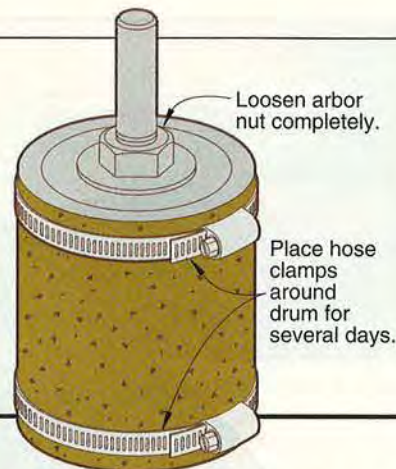
Continued from page 14

Clamps squeeze sanding drums down to size

I learned the hard way that you should release the tension on a drum sander when you've finished using it. Otherwise, the rubber drum remains in its expanded shape and future sleeve changes prove difficult. Fortunately, I found an easy way to shrink the

drum back to its proper size. I put hose clamps near each end of the drum, tighten them, and leave them in place for a couple of days. They squeeze the drum back into shape and let you slide the sleeve right off.

—J. David Patchett, Frankfort, Ind.



Screw keeps Shaker pegs from working loose

Installing a Shaker peg or dowel for a coatrack or similar project takes only a minute or two, but

how can you make sure it stays put for years to come? Here's my solution to keep pegs in place.

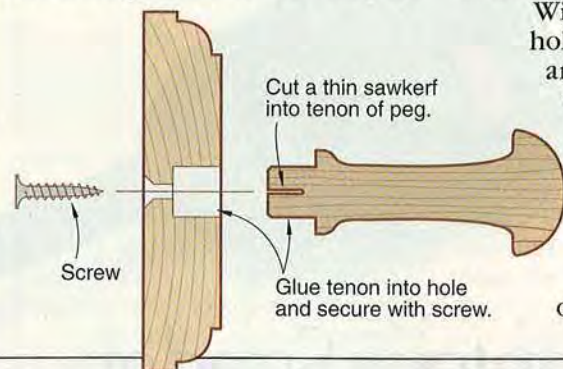
With a Forstner bit, I drill a hole of the correct diameter and depth to receive the tenon of the peg. Then, I drill a 1/8" hole the rest of the way through the stock, using the dimple left by the Forstner bit as a guide. Next, I use a bandsaw or handsaw to cut a thin

kerf centered on the tenon and extending about three-quarters of its length.

I glue the tenon in the hole, then insert a screw through the back of the stock and into the slot in the tenon. When you tighten that screw, the tenon expands slightly and fits the hole as snug as can be. I have never had a dowel or Shaker peg work loose, no matter how many coats I've hung on it.

—John A. Casto, Marlinton, W. Va.

Continued on page 18



The Professional's Choice

Since 1935, Titebond® has gained a reputation of solving woodworkers' needs... and doing it first.

- 1st ready-to-use, liquid ground-hide glue
- 1st aliphatic wood glue for general applications
- 1st Type II water-resistant glue for exterior use

Today, Titebond offers a complete line for every woodworking application, featuring:

Titebond II Premium Wood Glue

- Outperforms all other wood glues
- Ideal for exterior woodworking projects
- Passes ANSI Type II water-resistance

To find out where you can purchase Titebond Glues, call our Technical Service Team at 1-800-347-GLUE.



A flood isn't the worst thing that can happen to you.



Not being insured for one is.

A flood moves with frightening speed. In minutes, a flood can wash away everything you and your family have spent a lifetime building.

But often the worst isn't the flood. It's finding out, too late, that you're not covered for flood damage.

You're probably not covered.

The truth is, 90% of all natural disasters in this country involve floods. Yet, as many find out too late, most homeowner's insurance policies don't cover flood damage.

Everyone runs the risk of being a flood victim. In fact, between 25%

and 30% of flood insurance claims come from "low risk" areas. It could happen to you.

Give yourself peace of mind.

Fortunately, now you can protect your home and property with flood insurance from the National Flood Insurance Program.

Return the coupon or call your insurance company, agent or this toll-free number: 1-888-CALL FLOOD, extension 148. Act now, since it takes 30 days before your coverage begins. Because with floods, you can never say never.

1-888-CALL FLOOD ext. 148

Please send me information about NFIP.

MAIL TO: FEMA/MSC, PO BOX 1038,
JESSUP, MD 20797-9408

Do you have an insurance agent or company? Yes No

If yes, who is your insurance agent and/or company?

Mag. Issue Date _____

Your Name _____

Address _____

City _____

State _____ Zip _____ Tel. (____) _____



We can't replace your memories, but we can help you build new ones.

NFIP, 500 C Street SW, Washington, D.C. 20472 • TDD #1-800-427-5593 • <http://www.fema.gov/fema/nfip96-31.shm>



FEMA

Attention: Deck and Patio Owners



Outsmart the Weather!

With a SunSetter® Retractable Awning, you can choose full sun, partial shade or total protection from rain or sun. Opens and closes with ease in just 30 seconds...

Now get three times the use of your deck with the adjustable, affordable SunSetter Awning. It makes your deck or patio like an additional room on your house! Lets you enjoy your deck or patio rain or shine. Protects your family, guests and patio furniture from rain, harsh sun and harmful UV rays far better than a tippy patio umbrella. Adds to the beauty and value of your home. Expertly crafted in America for years of maintenance-free enjoyment.

- 100% waterproof fabric
- Wide choice of widths
- Installs over any kind of siding
- Retracts flat against the house
- No need to take it down in winter
- Superb quality — 5 year warranty
- No-Interest payment plans
- No-Risk Free Trial

Call today, Toll Free: 1-800-876-8060 ext. 4227

for complete free information, including our

Free SunSetter Video

Lines are open 24 hours a day, 7 days a week. You can also fax us at 617-321-8650, or write to the address below.

Circle No. 1978

SunSetter®

Retractable Patio & Deck Awnings

JIL Industries, Dept. WOD597, 184 Charles Street, Malden MA 02148

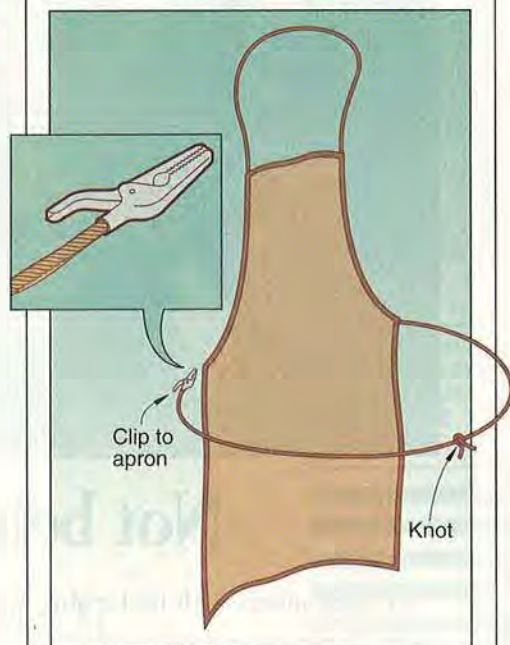
TIPS FROM YOUR SHOP (AND OURS)

Continued from page 16

Alligator clip's "bite" replaces apron ties

It's inconvenient to reach behind your back and tie the strings every time you put on your shop apron, especially if you suffer from arthritis. I simplified things by tying those strings one last time and then cutting one string where it attached to the apron. With an alligator clip fastened to that loose end, putting on the apron couldn't be easier.

—Ken Houcek, St. Charles, Ill.



A FEW MORE TIPS FROM OUR WOODWORKING PROS

- Want a jig fixture for a table-saw miter-gauge slot that isn't affected by seasonal humidity changes? Find out what we used for just such a guide bar on our tenoning jig (*page 57*).
- Need to add or replace a cursor for hairline accuracy? See how we made the one on our tenoning jig on *page 60*.
- You can make small metal parts by following the procedures described under the "Make the metal feet" section of our woodpecker doorknocker on *page 76*.♣

OUR PRICES
PRICE GUARANTEE
WON'T BE BEAT

Exceed Your Expectations!

Serving Satisfied Woodworkers & Contractors since 1948

PORTER-CABLE

The Woodworker's Choice

9444P Profile Sander Kit \$99
333 5" Quicksand dsils sander 65
332 5" Quicksand PSA sander 59
334 5" dustless PSA sander 65
97355 5" vs sander w/case 145
97366 6" vs sander w/case 149

DA250A 1"-2-1/2" Finish Nailer Kit \$249
FN250A 16g2-1/2" fnsh nail kt 209
BN200 18g 2" finish nail kit 149
BN1251 8g1-1/4" finish nail kit 99
NS1001 8g1/4" crown stplr kit 99
FC350 2 - 3-1/2" clip hd nailer 329
FR350 2 - 3-1/2" full hd nailer 329

556 Plate Jointer w/Case & Tilt Fence \$139
7810 tool triggered vacuum 269
352VS 3x21 vs sander w/bag 165
360 3x24 sander with bag 214
362 4x24 sander with bag 219

9853 - 12 V, 3/8" VSR, 2 Speed Drill Kit w/Keyless Chuck & 2 Batteries \$159
9862 12v 3/8" dr kit w/2 bat 174
6614 1/2" VSR 5.5 amp drill 119
6615 1/2" VSR 5.5 amp, yrrs 124
6645 0-2500 VSR 5.5 amp drvr 94

743K Left Hand 7-1/4" 15 Amp Saw w/Case \$129
347K 7-1/4 RH saw w/case 129
843 left hand 7-1/4" saw w/bk 144
447 7-1/4" 15 amp saw w/bk 144
7310 laminate trimmer 104

90690K 1-1/2 HP Router w/Case \$159
97310 laminate trimmer kit 189
511 New lock installation kit 159
9345 6" Saw Boss kit 134
9314 4-1/2" trim saw kit 169

7539 3-1/4 HP 5 Speed Plunge Router \$279
7116 New 24" Omni jig & video 309
691 1-1/2 hp D handle router 164
698 router-shaper table 144
697 router table w/router 234
7513 3-1/4hp 5 speed router 284
7403 paint remover 179

9737P Quick Change Tiger Saw Kit \$159
7499 New cut-out tool 69
97549 top hndl jigsaw w/case 144
7800 drywall sander 339
9647 tiger cub with case 119
693 1-1/2 hp plunge router 184
6931 plunge router base 84
9751 1/2" 2 spd hmr drill kit 159

7499 New cut-out tool 69
97549 top hndl jigsaw w/case 144
7800 drywall sander 339
9647 tiger cub with case 119
693 1-1/2 hp plunge router 184
6931 plunge router base 84
9751 1/2" 2 spd hmr drill kit 159

TORMEK

2004-T Wet Grinding Machine \$389



DELTA

22-540 12" Portable Planer & Extra Knives \$359



31-780 osc spindle sandr 194
36-250 10" sliding comp. 499
36-210 10" cmptd mtr saw 219
28-190 12" band saw w/stand 399
11-990 12" bench drill press 189
46-700 12" vs wood lathe 469
43-505 router/shaper 299
11-090 radial drill press w/std 309
14-650 mortising machine 249

DELTA

37-070 6" VS Bench Jointer \$259



40-650 New 18" vs scroll saw 479
40-540 16" vs scroll saw 189
40-560 16" 2 speed scrl saw 174
31-460 4x36 belt/disc sander 134
23-700 wet/dry grinder 159
11-950 8" bench drill press 129
36-540 10" bench saw 179

PERFORMAX PRODUCTS, INC.

16-32 PLUS 16" - 32" Bench Drum Sander \$899



22-44 pro stationary sdr 1799
SuperMax-25 25" d dr sdr 3199
SuperMax37-32 37" d dr sdr 3899

BOSCH

1587VSK Top Handle Jig Saw w/Case \$149



1584VSK barrel jigsaw w/cs 159
1587VS New top hdlc jigsaw 144
1584VS barrel grip disc jigsaw 149

BOSCH

3107DVS 5" Dustless Random Orbital Sander \$99



3610K 14.4 volt drill w/2 batt 194
3107DVSK 5" rdm sndr kit 119
3310K 12v T hndl w/2 bat 174
1276DVS 4x24 vs belt sdr 219
3270DVS 3x21vs sdr w/bag 164
1615EVS 3-1/4HP pl router 289
11224VSR 7/8" Bulldog hmr 224

BOSCH

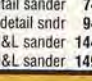
1613EVS 2 HP, VS, Microfine Plunge Router \$199



B4050 in-line jigsaw 89
3295K 3-1/4" planer kit 179
B7000 center detail sander 74
B7001 vs corner detail sdr 94
3725DVS 5" vs H&L sander 144
3727DVS 6" vs H&L sander 149

BOSCH

LS1011 10" Compound Miter Saw \$429



2708W 8-1/4" tbl saw w/b 299
2012 12" portable planer 529
3612C New 3hp pl router 269
LS121112" cmptd miter sw 759
6311DWH 12v hcap kt 2bt 219
9820-2 blade sharpener 174
N1900B 3-1/4" planer w/cs 134
3901 New plate jointer 199

Serving You For 49 Years!

freud

FT-2000E 3.25 HP VS Router \$209



JS102 joining sys cs & fc 179
TR-215 8-1/2" sl comp saw 349

BIESEMEYER

78-900 50" Commercial w/12" Left \$329



78-934 52" homeshop fnc 279
78-931 40" homeshop fnc 259
78-930 28" homeshop fnc 249

HITACHI

C8FB2 8-1/2" Compound Miter Saw \$489



C10FS New 10" slide cmptd 739
DN10DYK vs 9.6v R.A. drill 159
M12V 3-1/4 hp vs pl router 199

FUJI

Three Stage Turbine High Volume Low Pressure Sprayer \$599



MSXE-636-2 VS Triangular Oscillating Sander w/Case & Paper \$199



SENCO

SFN40 1-1/2 to 2-1/2" Finish Nailer \$389



SN325+ 6D-12D nailer 419
SFN-1Plus 1"-2" finish nlr 349
SN60 New full hd stick nlr 449
SLP-20 5/8"-1-5/8" br nll kit 279
SLS20 New finish stplr w/cs 269
SKS 1/4" crown finish stplr 279

Makita

LS1011 10" Compound Miter Saw \$429



2708W 8-1/4" tbl saw w/b 299
2012 12" portable planer 529
3612C New 3hp pl router 269
LS121112" cmptd miter sw 759
6311DWH 12v hcap kt 2bt 219
9820-2 blade sharpener 174
N1900B 3-1/4" planer w/cs 134
3901 New plate jointer 199

Panasonic

EY6100EKW 12 V, 3/8, 21 Position Clutch Kit w/2 Ironman Batteries \$179



Milwaukee

6527 Variable Speed Super Sawzall \$174



6491 10" miter s w/ct bl&bag 329
6494 New 10" comp. saw 319
6496-6 10" slide saw w/accy 649
6497-6 10" slide saw w/accy 649
0408-6 12v vsr cds kit 174
0234-1 1/2" vsr 0-850 mgm 134
0236-1 1/2" drill w/case 149
6368 7-1/4" saw w/cs & fc 139

DeWALT

DW995KS-2 18 Volt Drill/Saw Kit \$389



DW936K 18v cordless saw kit 249
DW936K 14.4v cds saw kit 239
DW93514.4 volt cds saw only 159

DeWALT

DW621 2 HP VS Plunge Router \$219



DW625 3 hp vs plunge router 279
DW670 laminate trimmer 99
DW673K laminate trimmer kit 189
DW610 1-1/2 hp, 1/2" router 154
DW306K 8 amp, vs, recip saw 164

DeWALT

DW321K VS Jigsaw With Case \$164



DW705 12" cmptd miter sw 349
DW364 7-1/4" saw w/brake 164
DW361 7-1/4" saw w/brake 109
DW675K 3-1/8" planer w/case 164

DeWALT

DW682K Plate Jointer Kit \$199



DW106 3/8" 4 amp keyless dr 74
DW250 0-4000 drywall driver 89
DW254 0-2000 deck driver 89
DW280K all purp scrdrvr kit 119

DeWALT

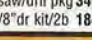
DW421K 5" Hook & Loop Dustless Random Sander w/Case \$74



DW423 5" vs rdm sndr w/cs 94
DW443 6" RA H&L rdm sdr 144
DW431 3"x21" vs belt sander 189

DeWALT

DW995K 18 Volt 1/2" VSR Drill Kit \$229



DW991K-2 14.4v3/8" drl kt 2bt 219
DW991KS-214.4v saw/drll pkg 349
DW972K-2 12v 3/8" dr kt 2bt 184

DELTA

36-900 3 HP Special Unisaw w/52" Unifence & Motor Cover \$1699*



36-820 3hp uni 52" unif & cv1599*
36-830 3hp unisaw 30" unif 1499*
36-8213hp unisaw w/50" Bies1599*
36-8313hp unisw w/30" Bies1499*
34-7785hp unisaw w/52" uni1849*
34-445 10" Contractor's Saw w/30" Unifence \$899

DELTA

28-280 14" 1 HP Bandsaw \$749



28-275 14" 3/4hp bandsaw 639
33-055 8-1/4" sawbuck w/legs 619
37-154 6" jointer w/stand 1299
17-900 16-1/2" floor drill prss399
34-080 10" miter saw 219
23-710 sharpening center 174

DELTA

37-350A 8" Jointer w/Stand \$1649



43-355 1-1/2hp wood shaper 799
43-379 3 hp hd 2 spd shapr 1699
31-730 6" belt/12" disc sandr 1349
33-890 12" radial arm saw 1599
33-990 10" radial arm saw 799

DELTA

36-220 10" Compound Miter Saw \$209



50-180 1 hp dust collector 529
50-179 3/4 hp dust collector 419
36-906 52" Delta unifence 329
36-905 30" Delta unifence 269
32-100 plate jointer 279

DELTA

22-675Y 15" Planer \$1199



37-190 6" jointer w/stand 449
36-851 1 phase stock feeder 849
36-850 1 phase stock feeder 499
32-325 13 spind boring mach 999

DELTA

31-280 Sanding Center With Stand \$799



36-755 10" cabinet saw 1149
36-751 10" cab w/30" unif 1299
36-752 10" cab w/50" unif 1399

DELTA

50-901 3 HP, 230V Cyclone 2 Stage Dust Collector \$1899



50-902 5hp3ph cycln collectr 1999
50-903 5hp230v cycln colctr 2299

*Price After Mail-In Rebate

SAME DAY SHIPPING
FREE FREIGHT!

Hours: M - F 7:00 - 7:00 CST
Sat. 8:00 - 4:00 CST

JDS COMPANY

AT2000 NEW Air Filtration System \$259



8-12 air filtration system 489
18-34 accu miter ga. w/bar 149

Emqlo

AM78-HCAV 1-1/2 HP Vertical Twin Tank \$309



AM79-HCAV1-1/2hp vert comp 329
K158AP 1.5hp wheelbarrow 619
K5HA8P 5hp Honda whlb 769
045 3/8"x50 Goodyear hose 20

JET

JTAS-10X 10" Jet Saw 3 HP w/50" XACTA Fence & Motor Cover \$1399



JTAS-10LX50-13hp lft tilt sw 1699
JWCS-10JF 2 hp sw, Jet fnc 999
JPM-13 13" planer/moulder 799
JWP-12 12" portable planer 389
JWS-18H0 1hp wood shapr 514

JET

JWTS-10JF 10" Saw w/Jet Fence \$599



JWBS-14CS14" 1hp wd bds 579
JWBS-140S14" 3/4hp w bsw 499
JDP-17MF 17" fl 16 sp dr pr 429

JET

JJ-6CSX 6" Long Bed Jointer \$489



JJ-8CS 8" long bed jointer 1189
JWL-1236 12" vs wood lathe 569
JWP-15H0 15" 3hp w/plnr 1099

JET

DC-650 1 HP, 650 CFM Dust Collector \$229



DC-1200 2hp1200cfm collectr 449
DC-1900 3hp1900 cfm collectr 619
JSG-66" belt/12" disc sander 599

POWERMATIC

1660760 66 Saw 3 HP w/50" Accu-Fence \$1999



1270100 #27shr 3hp 1ph 2099
1610050 8" intr 1.5 hp 1ph 1699
1791223 64 Artisan w/Accu 749
1791224 64 Artisan w/50" Accu 849
1791208 osc. spndr sncl 299
1791209 New 15" planer 1329
1791051 6" jointer w/stand 549
1791070 1-1/2 hp dust col 399

To Order or for Technical Support Call TOLL-FREE
1-800-358-3096

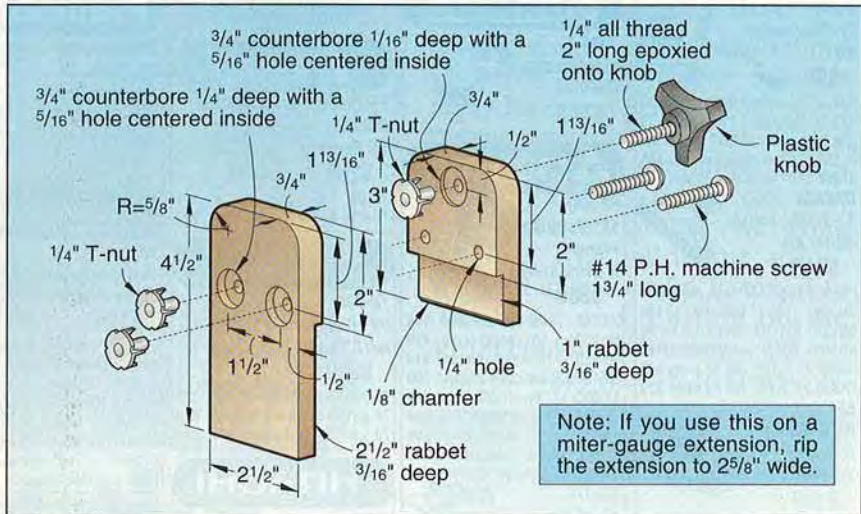
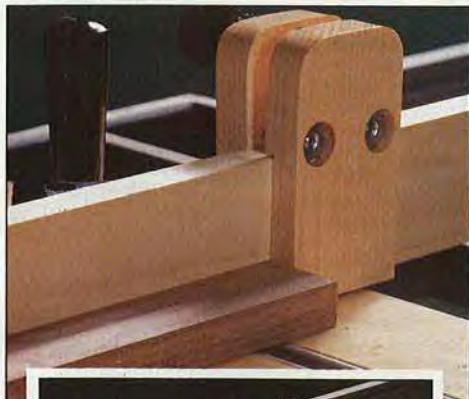
FedEx MOST PORTABLE TOOLS
SHIPPED FED-EX
\$5.00 MORE
FAX US YOUR ORDER!
1-800-343-4205

TOOL CRIB

OF THE NORTH

Box 14040 • Grand Forks, ND • 58208-4040
*Any comparable National ad in this issue. We reserve the right to verify competitors price and stock. Limited to factory on hand.
MasterCard VISA DISCOVER NOVUS
•• FULL LINE DISTRIBUTOR •• FREE FREIGHT IN 48 CONTIGUOUS USA •• STOCK AUTHORIZED SERVICE •• ERRORS AND PRICES SUBJECT TO CHANGE ••

PRECISION MITER STOP



Use this handy stop on your own 2 5/8"-wide miter-gauge extension, or add it to the sliding table saw jig shown at left and featured in the December 1996 issue of *WOOD*® magazine. It fits on the fence and allows you to cut piece after piece to the same length.

Project Design: James R. Downing Illustration: Roxanne LeMoine Photographs: John Hetherington



STAR TOOLS, LLC.
TOLL FREE

1-888-678-8777

MON.- FRI, 7:00AM - 5:00PM (Pacific Time)



HEAVY DUTY CABINET SAW

SPECIAL PACKAGE INCLUDES:

- S3221 MOTOR COVER
- S3226 MICRO ADJUSTER
- S3857 DUST HOOD & FREUD LU82 10" BLADE

S3202

\$995.00

SAW AND FENCE ONLY

\$875.00



25" DUAL DRUM SANDER

- 5 H.P. 220 VOLT
- 2 SPEEDS 11 & 17 FPM/REVERSIBLE
- CAST IRON WORK TABLE

S3409

\$1,295.00



1-1/2 H.P. SHAPER

PACKAGE PRICE INCLUDES:

- 1-1/2 HP SHAPER
- 3' CAST IRON DUST HOOD
- ROUTER BIT COLLET
- CAST IRON EXTENSION WING

S3302

\$525.00

REGULAR PRICE \$575.00



6" JOINTER

INCLUDES:

- 1-1/2 H.P. MOTOR
- NEW JACK SCREW
- CUTTERHEAD
- DUST COLLECTOR PORT
- WELDED STAND

S3104

SPECIAL INTRODUCTORY PRICE

\$485.00

REGULAR PRICE \$525.00

(SHOWN WITH OPTIONAL MOBILE BASE)



2 H.P. DUST COLLECTOR

SPECIAL PACKAGE PRICE INCLUDES:

- 2 MICRON UPPER BAG
- CLEAR PLASTIC LOWER BAG
- RELEASE METAL STRAPS

S3820

\$325.00

WITH REGULAR BAGS

\$270.00



20" BANDSAW

- 4" DUST PORT BLADE BRAKE
- 3 H.P. 220 VOLT
- 12" RESAW CAPACITY
- ROLLER GUIDES

S3506

\$1,295.00



MAIN OFFICE SHOW ROOM

9825 PIONEER BLVD.
SANTA FE SPRINGS, CA. 90670
TEL: 562-654-3065
FAX: 562-654-3066

WEST COAST



EAST COAST



SHIPPING WAREHOUSE SHOWROOM

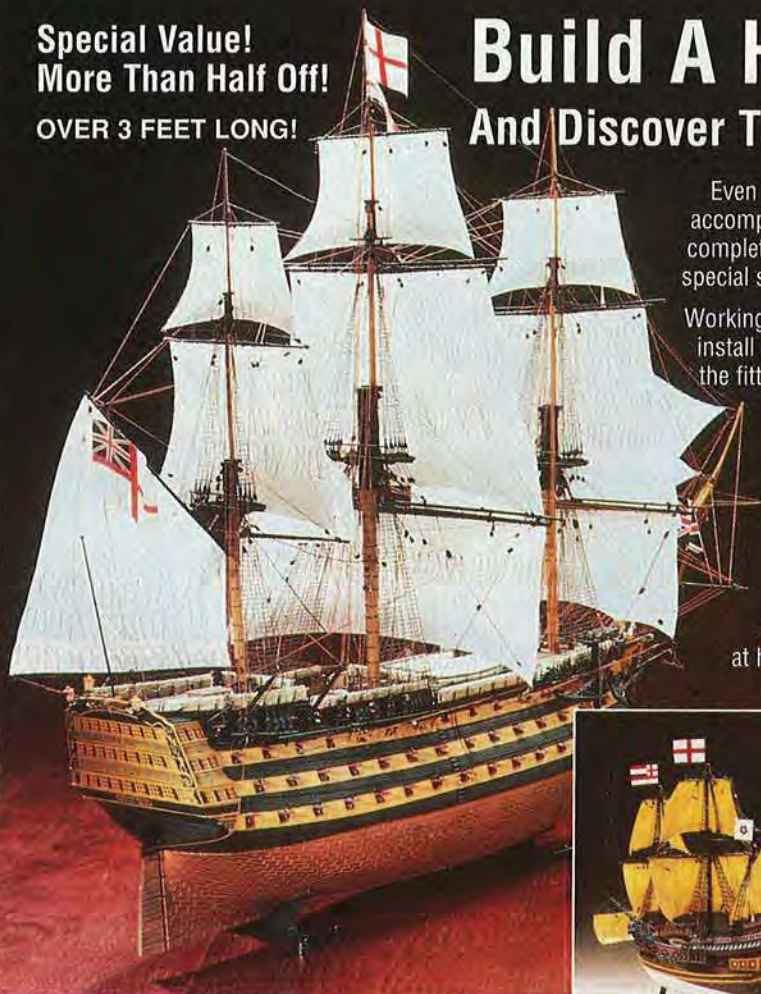
12 ARMORY ROAD,
CLARKSBURG, WV. 26301
(TECH SUPPORT ONLY) TEL: 304-624-6685
FAX: 304-624-8928

**Special Value!
More Than Half Off!**

OVER 3 FEET LONG!

Build A Historic Ship Model

And Discover The World's Most Satisfying Hobby!



Even if you've never built a model before, you can experience the pride of accomplishment ship modeling offers. It's easy to build an accurate replica, complete with authentically scaled fittings and delicate rigging. You need no special skills— just a bit of patience, a few basic tools, some paints and glue.

Working with finely detailed plastic parts, you'll assemble the hull, paint and install the deck furnishings. You'll add the helm and bowsprit, and position the fittings. Finally, you'll set the masts and rig the lines. When completed, you'll proudly display a beautiful ship model— lifelike in every detail.

Half Price Introductory Offer On Heller Kits!

World famous for their accurate detail and exacting authenticity, ship model kits by Heller are the best available. Each kit is complete with up to thousands of finely molded plastic parts. Illustrated instruction books make assembly simple and fast. Now, for a limited time only, we're offering some of the most popular models at huge savings. Try a Heller kit today— we guarantee you'll be pleased!

H.M.S. VICTORY/Kit No. HEL80897B

The *H.M.S. Victory* by Heller is regarded as the best plastic ship model ever made. Perfectly scaled and precisely molded, the model is authentic down to the wood grain texture of the hull timbers. Kit contains over 2,100 parts, 300 yards of rigging line in four diameters, display base, 20 pages of plans and step-by-step instructions.

Length 40-1/2"/Height 28"/Scale 1:100/Parts 2,107
Mfg. List \$229.95 **Sale \$89.99**

H.M.S. Victory Paint Set

Set of 17 Humbrol Model Paints includes 3 copper; 2 each trainer yellow, brown yellow, and chocolate; 1 each blue, white, scarlet, brick red, middle blue, green, black and gold.

No. HUM999VP Value \$21.93 **Sale \$15.50**



GOLDEN HIND/Kit No. HEL80829B

Length 14"/Height 11-1/2"
Scale 1:200/Parts 369
List \$34.95 **Sale \$16.99**

Golden Hind Paint Set

Set of six Humbrol Model Paints includes 1 each trainer yellow, blue, white, leather, sand and cream.

No. HUM829GHP
Value \$7.74 **Sale \$5.90**



FLYING CLOUD/Kit No. HEL80830B

Length 14-1/4"/Height 9-3/4"
Scale 1:200/Parts 126
List \$29.95 **Sale \$14.99**

Flying Cloud Paint Set

Set of 10 Humbrol Model Paints includes 2 black, 1 each white, sand, light gray, chocolate, army green, cream, gold, bronze and lemon.

No. HUM830GHP
Value \$12.90 **Sale \$10.50**



H.M.S. BOUNTY/Kit No. HEL80850B

Length 18"/Height 15"
Scale 1:87/Parts 99
Mfg. List \$39.95 **Sale \$19.99**

H.M.S. Bounty Paint Set

Set of 9 Humbrol Model Paints includes 1 each blue, white, scarlet, grass green, lemon, black, leather, cream and copper.

No. HUM850GHP
Value \$11.61 **Sale \$9.50**



SHIP MODELER'S TOOL SET

Hobby knife, 10 cutting and carving blades, sandpaper assortment, tweezers, three miniature files, block threader and jeweler's pin vise with three fine diameter drills— 26 pieces in all!

No. MS102
Value Over \$22.00 **Sale \$14.99**

RIGGING LINE ASSORTMENT

Three diameters rigging line, 210 feet total. Needed for all kits, except the H.M.S. Victory.

No. HEL18007 **Price \$4.99**



BRUSH SET

Set of five high quality brushes with lacquered wooden handles contains: three sable rounds (size 3/0, 3, 5), sable shader (size 4) and camel hair wash (size 5/8").

No. LC436J
Mfg. List \$5.95 **Sale \$3.99**

FLUSH CUTTER

Cuts the most delicate pieces off plastic parts trees without damage! Light touch spring returns the cutter to its open position after each use. 5" long with hardened cutting edge, cushioned grip handle.

No. JP12A
Mfg. List \$8.95 **Sale \$4.99**

SUPER JET INSTANT GLUE

Quick bonding glue with medium viscosity offers good gap-filling capacity and a strong bond. 1/2 oz.

No. CG767 **Price \$2.99**

OUR UNCONVENTIONAL GUARANTEES

1. If less than delighted, you may return your purchase in original condition within 30 days.
2. Should you break or lose a part during construction, we will replace it free of charge.

FREE CATALOG!

120 page color catalog showing over 90 ship model kits, hundreds of miniature tools and reference books— free with your purchase!



Dept. WD57, PO Box 1000, Industrial Park Drive #10, Mt. Pocono, PA 18344

Yes! Please send me:

Item #	Description	Price \$

Charge my credit card: MasterCard Visa Exp. Date _____

Account No. _____

Name _____

Address _____

City _____ State _____ ZIP _____

My check or Money Order is enclosed.
(Shipping and insured delivery: orders to \$50.00 add \$5.00; over \$50.00 add 10% only. PA residents must also add 6% sales tax.)

Special offer valid through July 31, 1997. © Model Expo, Inc. 1996

**Credit Card Holders In The US And Canada Call TOLL-FREE
800-222-3876 Mon-Fri 9-5 E.T. Or FAX 717-839-2090 Anytime!**

TOOL BUYER'S UPDATE

Several new kids on the gluing block

Lately, hardly a month goes by without a new wood-working glue entering the marketplace. While some are variations on a theme, others stand out for their breakthrough technology. To help you make sense of it all, I rounded up five recent entries (pictured at right) and put them through some real-world tests. Here's what I found.

Note: You may also want to check out the test results on pages 70-73 in the June 1995 issue of WOOD® magazine. In that article, I looked at five new entries, including Elmer's Weather-Tite Wood Glue, Titebond II Wood Glue, RooClear, Gorilla Glue, and Excel Polyurethane Wood Glue.



Titebond Wood Molding Glue

Applying ordinary yellow glues to finish trim, crown moldings, baseboards, and so forth has always been a messy business. So, I'm sure that professional and hobbyist woodworkers alike will appreciate this new glue's high wet tack—a glue's initial wet holding power—and quick set time.

I intentionally applied an excess amount of glue to check run resistance and was surprised at how much overload there can be before it actually runs. Surplus glue also didn't seem to affect the set up time, which at 65 degrees Fahrenheit was about 30 minutes.

Titebond Wood Molding Glue dries with a slight brownish tint, and it fills gaps that most other products won't. Unfortunately, you can't use it for outdoor projects or in high-moisture areas.

Titebond Polyurethane Glue

While Franklin has sold Titebond II as a *water-resistant* outdoor glue, it touts this new polyurethane as its first 100 percent *waterproof* glue for the home woodworker. I found the company's no-drip claim accurate—the glue almost refused to run. The cure time was approximately 2 hours at 65 degrees and 70 percent humidity, and the squeeze-out proved easy to sand and scrape without loading.

If you need a poly product for overhead work or in areas where drips or runs would be disastrous, try this product. But be sure you

use the glue sparingly because it foams more than twice as much as the polys we tested earlier.

PL Premium Wood Glue

Several things impressed me about PL Premium Wood Glue. For starters, unlike some other polyurethane glues, it resisted running and dripping. Not only that, but this 100 percent waterproof product exhibits good initial tack, and low foaming compared to some other polys.

I did notice a tendency for it to stay more pliable for a long time, and in fact, it never did get as hard as others. This could be an advantage in situations where there will be a lot of movement.

I also like the fact that this glue comes in 4-oz. containers as well as 8-, 16-, and 32-oz. sizes. Since you use polyurethane glues sparingly and they have a limited shelf life—typically a year—the glue in larger bottles often goes to waste.

Elmer's ProBond Ultra Polyurethane Glue and ProBond Wood Glue

As the name implies, Elmer's touts both of these products as part of the company's first industrial-strength line of wood glues. I'm glad that attention has been turned to the professional market.

In my test of the polyurethane glue, I judged it comparable to the other polys I've tested. It exhibited about the same degree of foaming, and was roughly equivalent in strength as well.

After using the ProBond Wood Glue in my shop, I rank it even with other yellow glues in wet tack and final strength. I especially like the container's offset triangular-shaped spout, which easily reaches into corners and tight spots. You're less likely to lose the large, orange cap, and the bottle's wide-mouth, screw-on top makes it a cinch to refill without spills. ♣

—Tested by Dave Henderson

PRODUCT SCORECARD

Titebond Wood Molding Glue	
Performance	★ ★ ★ ★ ★
Price	About \$3.15 for 8 oz.
Value	★ ★ ★ ★ ★
Titebond Polyurethane Glue	
Performance	★ ★ ★ ★ ☆
Price	About \$6.25 for 8 oz.
Value	★ ★ ★ ★ ★
Franklin International, 2020 Bruck Street, Columbus, OH 43207. Call 800/669-4583.	
PL Premium Wood Glue	
Performance	★ ★ ★ ★ ★
Price	About \$4.49 for 4 oz.
Value	★ ★ ★ ★ ☆
ChemRex, 889 Valley Park Dr., Shakopee, MN 55379. Call 800/433-9517.	
Elmer's ProBond Ultra Polyurethane Glue	
Performance	★ ★ ★ ★ ☆
Price	\$9.99 for 8 oz.
Value	★ ★ ★ ★ ☆
Elmer's ProBond Wood Glue	
Performance	★ ★ ★ ★ ☆
Price	About \$4.50 for 12 oz.
Value	★ ★ ★ ★ ☆
Elmer's Products, 180 East Broad St., Columbus, OH 43215-3799. Call 800/848-9400.	

Craftsman's Most Powerful Vac... Wet or Dry



With six peak horsepower, Craftsman's new wet/dry vac is the most powerful, detachable blower vac on the consumer market.

It's at home in your workshop, kitchen, garage... even in the yard, thanks to the detachable blower that cleans up leaves and yard debris with a 200 MPH blowing velocity.

To complement its power, we developed a sturdy vac caddy supported by oversized wheels to resist vac tipping. There's an extra-long 20-foot cord and convenient on-board accessory storage so tools are always right at hand. The large 16-gallon capacity, built-in drain and reusable filter make cleanup a breeze. Accessories include two extension wands, four nozzles, blowing diffuser and blower adapter.

Check out this new detachable blower vac with 6 peak horsepower at your Sears store, or for convenience, call the "Sears Shop at Home" service, 1-800-377-7414.



Another reason to make some clamping cauls

I want to laminate two layers of MDF (medium density fiberboard) to make a router-table top. Then, I'll cover both sides with plastic laminate. What type of glue works best with MDF, and how should I clamp the two pieces to obtain an even lamination?

—Dan Guisinger, dang547649@aol.com

Dan, any polyvinyl (white) or aliphatic resin (yellow) glue will work with MDF. Begin by applying an even coat of glue to the surface of one piece of MDF. Use a scrap of wood or a plastic spatula to even out the glue layer. Next, place the second piece of MDF in place and align the edges of the two pieces.

Apply weight or pressure evenly to hold the two layers together. In the *WOOD* magazine shop, we usually use clamps and clamping cauls to do this. As shown in the illustration at right, a clamping caul is a board with one slightly tapered edge that, as you tighten, applies pressure to the middle first, and then to the outer edges. Make your clamping cauls by following the instructions in the illustration shown below.

Distribute the pairs of clamping cauls about every foot along the MDF pieces as shown in the illustra-

Have a question for our woodworking experts? Here's how to reach us.

No matter how simple or perplexing a woodworking problem you're faced with, we would love to hear from you. We'll do our level best to solve your mystery, and you might even find your question and our reply on this page. You can reach us either by letter or through your computer:

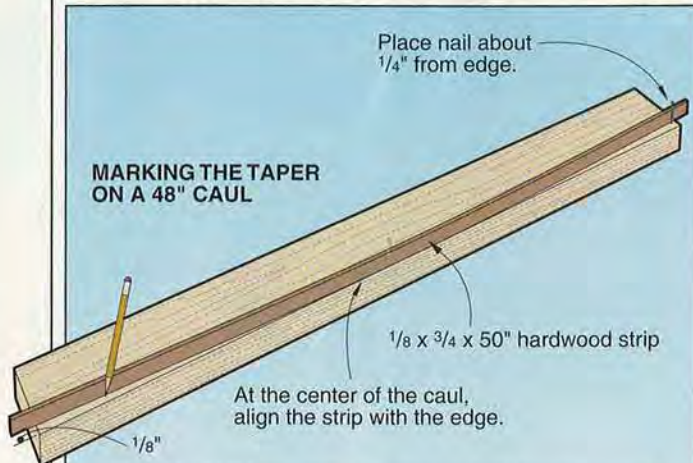
• **Letters:** Send your letter to Ask *WOOD*®, 1912 Grand Ave., Des Moines, IA 50309-3379

• **E-mail:** Send your question to us at: 74404.3516@compuserve.com

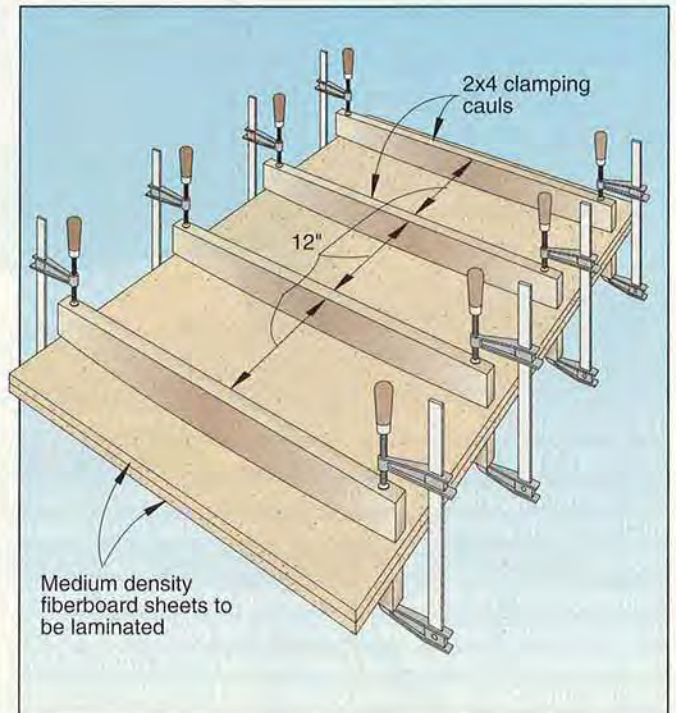
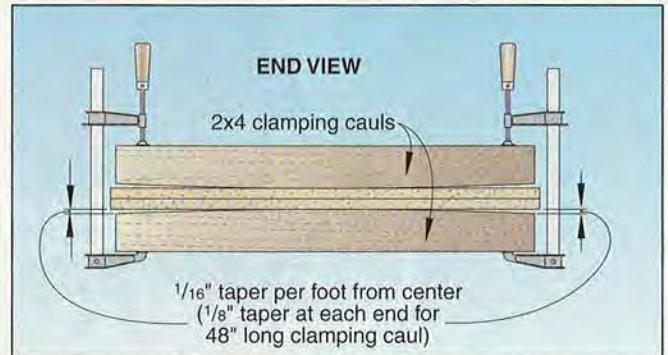
Compuserve members use: **74404,3516**

• **Internet:** Visit our homepage and discuss your questions with other woodworkers by joining our discussion group at: <http://woodmagazine.com>

tion below. Remember, do not apply excessive pressure to the clamps—doing so can create glue-starved areas in the lamination.



- STEP 1.** Rip a 48" straight 2x4 down to 2 1/2" wide.
- STEP 2.** Place a nail in the center far enough back so the strip will align with the edge of the caul.
- STEP 3.** Place a nail in one end, 1/4" from the edge.
- STEP 4.** At the opposite end, make a mark 1/8" from the edge and place the strip between the nails.
- STEP 5.** Hold the free end of the strip on the 1/8" mark, then mark the taper from the center nail to the end of the caul.
- STEP 6.** Repeat steps 3-5 to mark the other half. Then shape the taper using an edge sander or plane.



Continued on page 26

DON'T CUT CORNERS WHEN CUTTING CORNERS

Beware of compromising your craftsmanship with inferior tools. Trust only the lifelong performance and professional reputation of "Jorgensen". It's the first name in fine woodworking tools. Our full line of miter boxes and miter saws features a style and a price for every user. All are designed with precision to help you make the perfect cut every time. Don't cut corners on quality: Trust "Jorgensen".



For a catalog send \$1.00 to:
ADJUSTABLE CLAMP COMPANY
410 N. ASHLAND AVENUE • CHICAGO, IL 60622



"Purveyors of Fine Machinery"

- Best Manuals in the Industry
- One-year Warranty
- Award Winning Construction and Design
- Most Orders Shipped Same Day
- Your Complete Woodworking Source
- Call Today for your Free Catalog

BEST BENCHTOP SERIES!

It's like having a full-fledged production shop right on your bench. For tons of power in a small space, these Grizzly beauties are tough to top. See for yourself!

 <p>9" BANDSAW G1052 \$169⁹⁵</p>	 <p>12" PLANER G1017 \$399⁹⁵</p>	 <p>RADIAL DRILL PRESS G5046 \$249⁰⁰</p>
 <p>1" x 42" BELT / 6" DISC SANDER G3105 \$119⁹⁵</p>	 <p>4" x 36" BELT / 6" DISC SANDER G1020 \$119⁰⁰</p>	 <p>16" VARIABLE SPEED SCROLL SAW G1257 \$169⁹⁵</p>

IF YOU LIVE WEST OF THE MISSISSIPPI:

1-800-541-5537

CUSTOMER SERVICE: (360) 647-0801

67K

Shipping & Handling Charges are Extra



IF YOU LIVE EAST OF THE MISSISSIPPI:

1-800-523-4777

CUSTOMER SERVICE: (717) 326-3806

128796658

WOODLINE ARIZONA, Inc
 P.O. Box 1530 • Payson, AZ 85547
 • All Major Credit Cards Accepted
 • Shipping is only \$3.75 per order
 • 24 hours a day • 7 days a week
1-800-472-6950

Great Router Bits! & Shaper Cutters



One-piece RAIL & STILE CUTTER, raise bit 3/8" to make matching cut. Available in Ogee, Roundover, and Cove & Bead profiles • Great fit! • No changing bits or reversing the pieces.

PANEL RAISER W/ UNDERCUTTER, 3 profiles: Ogee, 15° Face Cut, and Convex avail. Tongue thickness perfectly matches groove in Rail & Stile—everytime!

Best Buy!

BOTH RAIL & STILE CUTTER & PANEL RAISER W/ UNDERCUTTER,

ONLY \$95.00 or \$49.00 ea

SUPER BUY!

Great sets in attractive wooden boxes! Available in 1/4" and 1/2" shank

\$49.00

- 8 pc. Joint Making Set 2 Straight Bits, 6 Dovetailis \$49.00
- 6 pc. Roundover Set 1/8", 3/16", 1/4", 5/16", 3/8", 1/2" radius \$55.00
- 5 pc. Cove Set 3/16", 1/4", 5/16", 3/8", 1/2" radius \$49.00



SUPER SALE!!

Cutters & Bearing Sets (to change depth of cut) Two-Flute Cutters avail. in 1/4" or 1/2" shank. Allen wrench included.

Priced at only \$15.00 ea SAVE \$6. \$39.00 Set of 3

- 5/32" Kerf w/ 3 bearings, cuts slot to fit all biscuit sizes. Sample bag of biscuits incl.
- Rabbeting Bit w/ 4 bearings for rabbets of 1/4", 5/16", 3/8" & 1/2" depth
- 1/4" Kerf Slot Cutter w/4 bearings cut slots 1/4", 5/16", 3/8" & 1/2" depth

• Best Prices • Same Day Service • Super Selection 32-page Catalog included with every order

ASK WOOD

Continued from page 24

Steaming out a dent

I have an antique table that just sustained a dent from a falling plate. Can you suggest a way to correct this problem?

—Lawrence F. Rawie, Everett, Wash.

You can raise the dent in the table by applying hot water or steam to the compressed wood fibers. This causes the fibers to swell, bringing the surface of the dent closer to level with the tabletop.

To do this on finished wood, we suggest you apply a drop of boiling water to the dent with an eyedropper, and allow it to seep into the compressed fibers. Careful application of the water will limit the area in need of refinishing after you raise the dent.



On bare wood, place a dampened cloth right over the dent. Then position the tip of a heated iron on the cloth. You'll hear a sizzling sound as the steam is forced into the wood. Remove the iron and cloth, and allow the wood to sit for a few minutes. If the marred area is still depressed, repeat the steaming process as needed.

A word of warning: do not sand around a dent before attempting to raise it. Otherwise the compressed fibers in the dented area will expand more than the surrounding surface fibers. This leaves the formerly dented area raised above the table surface.

A third approach to dealing with the dent in the table is to leave it alone. This will add to the character of the table. Just imagine one of your descendants saying "There's the dent great-great-grandfather put in the table back in 1995."

Circle No. 1395

DEFT'S REVOLUTIONARY WAY TO STAIN AND FINISH IN ONE EASY CLEAN STEP



Join the **APPLICAN™** Revolution

Try Step Saver Plus™—One Step Stain & Finish

Now—the fastest way to stain and finish. No brush, no rags, no spills. One application with easy water clean up.



America's Wood Finish Family

Irvine, CA (800) 544-DEFT
 Alliance, OH (800) 458-DEFT
<http://www.deftfinishes.com>



Wanted: longer-lasting sandpaper products

I use thin strips of imbuia (Brazilian walnut) for making the puppets I build. However, when I round over the ends to make the puppets' joints, my sanding disc quickly fills with dust and resins, ruining the disc and burning the edges of the wood. And, my rubber disc cleaner seems to have little effect. What can I do to reduce this problem?



—David Powell, Kensington, P.E.I., Canada

Dave, sandpaper "loading" takes place when the dust particles become trapped between the abrasive and the workpiece. Loading also occurs when glues, finishes, or resins in the wood bond with the sandpaper's surface. This bonding occurs because of the heat generated through friction. Unfortunately, this kind of loading can be a serious problem when using power sanders. Although rubber cleaners help clean belts and discs loaded with dust, they don't do much good when glues, finishes, or resins create the loading. We suggest you do three things.

First, try using variable-speed sanders. By slowing the speed, especially when sanding end-grain, you will generate less heat, and this will reduce the problem of resinous loading and burning. Second, keep things moving, either the sander or the workpiece, and use the full width of the disc or belt to avoid building up heat in a single spot.

Third, use open-coated or stearated abrasive materials. Open-coated papers work well when the loading occurs because of dust. Chris Minick, a 3M lab technician, explains the difference between closed-coated and open-coated papers: "Close-coated papers have a surface that's completely covered with mineral grains. But, open-coated papers only have 40 to 70% coverage, leaving free space that allows dust to escape."

Stearated abrasives have a coating similar to soap (appearing as a whitish or gray film on the paper) that also reduces clogging, especially when working with recycled or resinous woods. However, stearates are not always compatible with water-based finishes. So, be sure to clean the work surface with a rag dampened with mineral spirits before finishing. Stearated papers come under different labels such as 3M's Fre-Cut, Norton's No-Fill, and Klingspor's PS33.♣

Dust-Free Sanding

Eliminate hazardous dust Before it becomes airborne



Airborne dust is now being recognized as a major health hazard. Imagine sanding in a dust-free environment, where 98% of the dust created by sanding is gone.

How It Works

Dust produced by sanding is immediately sucked away through holes located in the sandpaper, the bottom of the sander's pad, AND around the outside edge of the pad (a FEIN exclusive). The extracted dust is contained by a powerful vacuum.

Unbeatable Finishes

Typically when you sand with normal sanders, your sander ends up riding on a bed of dust and broken abrasive. With the FEIN Sanding System, this "bed" of dust doesn't exist. Your paper cuts faster, cleaner, and lasts up to 10 times longer. You simply can't get the same finish by any other sanding method.

Automatic Vacuum

When you turn your Fein sander on, the vacuum starts. When you switch your sander off, the vacuum stops... automatically. The Fein Turbo II Vacuum is built to handle large amounts of superfine dust.

**It's easy to get more information,
simply call and ask for a free color
brochure: (800)441-9878**

FEIN Power Tools Inc.

3019 West Carson St.,
Pittsburgh, PA 15204
(412)331-2325 fax: (412)331-3599



100% SATISFACTION GUARANTEED!
*** FREE SHIPPING!**
FOR ALL ITEMS SHOWN BELOW!

HARBOR FREIGHT TOOLS



VISIT OUR WEB SITE

<http://www.harborfreight.com>

CENTRAL MACHINERY

16" SCROLL SAW

- Precision milled 14-1/2" x 8" table tilts 0° to 45°
- Uses pin end blades, 5-1/2" long
- Heavy duty cast iron frame and base reduces vibration • 7/8" blade stroke
- 1/8 HP, 110V, .83 amps
- 1750 SPM blade speed

ITEM 34618-0VAA

\$59⁹⁹

FOOT SWITCH WITH GUARD

Ready to use. Steel housing and 8 ft. cord.

ITEM 00495-6VAA

\$9⁹⁹



CENTRAL MACHINERY

SAVE OVER 30% FROM OUR FALL '96 CATALOG

6" INDUSTRIAL RABBETING JOINTER INCLUDES STAND

- Infeed table size: 22-1/2"
- Outfeed table size: 19-1/2"
- Motor: 1 HP, 110V, 4 amp, 4900 to 5900 RPM cutterhead speed
- Maximum depth of cut: 3/8"

ITEM 30289-5VAA

\$199⁹⁹

REPLACEMENT BLADE SET

ITEM 33271-1VAA

\$9⁹⁹



CHICAGO Electric Power Tools

SAVE 20% FROM OUR FALL '96 CATALOG

TRIM ROUTER

Now you can tackle those jobs that were too fine or exacting for a standard router. This compact router weighs only 4 lbs. for easy operation. Includes a straight and adjusting conductor to assist in trimming and engraving in both straight and circular patterns.

- 1/4" collet
- 30,000 RPM no load speed
- 110V, 3-1/4 maximum amp draw
- 8-1/2" overall length
- 4 lbs. tool weight

ITEM 33833-3VAA

\$39⁹⁹



CENTRAL MACHINERY

10", 2 HP, BENCH TABLE SAW

Die cast aluminum table 25-3/4" x 16", has adjustable 17-7/8" x 2" rip fence and inch/metric scale for precise cutting.

- Maximum depth of cut at 90°: 3-1/8"; at 45°: 2-1/2"
- Blade capacity: 10" with 5/8" arbor
- Miter gauge adjusts 0° - 60° left and right
- Motor: 2 HP, 115V, 60 Hz, 10 amp, 4500 RPM • Blade sold separately, below
- Shipping weight: 36 lbs.

ITEM 35715-2VAA

\$79⁹⁹

10" 40 TOOTH CARBIDE TIP SAW BLADE

ITEM 00529-4VAA

\$9⁹⁹



REDUCED!

15 PC. TUNGSTEN CARBIDE TIPPED ROUTER BIT SET

Long life tungsten carbide tips and the most used routing shapes. This is the set all serious woodworkers need. Ground to ultra close tolerances for the best finish available. Includes individually organized storage case.

- 1/4" shanks
- Includes: 1-1/4" rabbeting*, 1-3/8" cove*, 1-1/16" roman ogee*, 1-1/4" rounding over*, 1/2" flush trimming*, 1-3/16" 45° chamfer*, 1/2" dovetail, 3/4" straight, 1/2" straight, 3/8" V-groove, 1/4" combination panel, 1/4" straight, 1/2" mortising, 1/4" self-piloting flush trim, 3/16" self-piloting 7° bevel trim
- *Includes pilot bearing

ITEM 31164-9VAA

\$39⁹⁹



HITACHI

7-1/4" CIRCULAR SAW

- 115V, 10 amps, 60 Hz, single phase
- 5500 RPM • Tool weight: 8-3/4 lbs.
- Maximum cutting depth: 2-1/4"

ITEM 35120-8VAA

\$64⁹⁹

8-1/2" SLIDE COMPOUND MITER SAW

Hitachi C 8FB

ITEM 31876-8VAA

\$429⁹⁹

3/8" 9.6V DRIVER DRILL WITH KEYLESS CHUCK

Hitachi D 10DF2

ITEM 34641-7VAA

\$99⁹⁹

4" DISC GRINDER

Hitachi G 10SD1S

ITEM 34644-9VAA

\$49⁹⁹

3/8" 9.6V CORDLESS DRILL WITH KEYLESS CHUCK

Hitachi FDS10DVA

ITEM 34998-7VAA

\$89⁹⁹

4-1/2" ANGLE GRINDER

Hitachi G12SA

ITEM 35015-6VAA

\$54⁹⁹

9.6 VOLT CORDLESS 1/4" IMPACT DRIVER

Hitachi WH8DC2

ITEM 35254-4VAA

\$119⁹⁹



Pittsburgh

CORNER CHISEL

A slight hammer tap could give you perfect corners every time. Perfect for hinge plates.

- 5/8" working depth
- 3/8" cutting edge

ITEM 07975-3VAA

\$4⁴⁹



DEWALT

12" HEAVY DUTY COMPOUND MITER SAW

- 13 amps; 4000 RPM no load speed
- Spindle lock • Electric brake
- Stainless steel miter scale with 9 positive stops • 40 lbs. ship. wt.
- Includes 32 tooth blade
- 0-48° bevel capacity • 1" round arbor
- 0-48° miter left and right
- Capacities 5-1/4" crown moulding; 2 x 8 at 45° bevel; 4 x 4 & 2 x 6 at 45° miter
- Head lock down with handle for easy transport • 38 lbs. tool weight
- 100% ball bearing construction
- Factory reconditioned, factory perfect

ITEM 51594-4VAA

\$299⁹⁹



CHICAGO Electric Power Tools

TRIANGLE DETAIL SANDER

Use 3-3/4" triangle pads to reach into corners conventional sanders can't.

- 110V, 1.2 amps
- 10,000 OPM
- Hook and loop sandpaper holder
- Includes dust collection bag
- 5 pc. sanding assortment 40, 80, 120, 200, and 240 grits

ITEM 35838-1VAA

\$19⁹⁹

5 PC. TRIANGLE SANDING PAD ASSORTMENT

• 40, 80, 120, 200, and 240 grits

ITEM 36082-0VAA

\$3⁹⁹



McCulloch

McCulloch 3214

14" GAS POWERED CHAIN SAW

- 32cc engine handles tough jobs
- Hard chrome cylinder bore for longer engine life
- Gear driven automatic chain oiler
- 3 position choke for easier starting
- Safety trigger prevents accidental acceleration • 15 lbs. ship. wt.
- Spark arrestor screen reduces fire hazard
- Features: chain brake/hand guard, chain catcher, throttle latch, muffler shield, and low kickback chain
- 10-1/2 fl. oz. fuel tank capacity
- Factory reconditioned, factory perfect

ITEM 51502-1VAA

\$79⁹⁹



2 HP, 1200 PSI, 1.6 GPM PRESSURE WASHER

- Starts when you pull the trigger, stops when you let go. Exclusive "Power-On-Demand" system dramatically increases the lifespan of your pump. Includes safety lock off trigger, fan to pinpoint spray nozzle, detergent cup, 19 ft. high pressure hose, and quick connection bayonet wand. Hooks to your garden water hose with no special adapters. For performance and value, this is an incredible deal. • Built in pressure relief safety valve • 120V, 13 amps

ITEM 50956-1VAA

\$99⁹⁹

PRESSURE WASHER TURBO NOZZLE

Increase your cleaning power by 20%!

ITEM 35935-0VAA

\$9⁹⁹



DRILL MASTER

115 PC. TITANIUM NITRIDE COATED DRILL BIT SET

These titanium nitride coated high speed steel bits last up to six times longer than standard bits. Cool turning titanium bits are a must for metal workers. All bits can be resharpened. Straight shanks.

- Includes: 29 fractional sizes 1/16" thru 1/2"; 26 letter sizes A thru Z, 60 numbered sizes 1 thru 60; Heavy duty metal drill index

ITEM 01611-1VAA

\$49⁹⁹

115 PC. M-2 HIGH SPEED STEEL DRILL BIT SET W/INDEX

- Same sizes as above
- M-2 high speed steel

ITEM 00528-1VAA

\$29⁹⁹



* Within the 48 States / \$2.95 handling on all orders
Call To Order or Ask for Free Catalog:
Order 24 Hours a Day/7 Days a Week
Most Phone Orders Shipped in 48 Hours



FAX TOLL FREE: 1-800-905-5220
1-800-423-2567

CHARGE IT!



Or Send Check or Money Order to: Harbor Freight Tools, 3491 Mission Oaks Blvd. Box 6010, Camarillo, CA 93011

FREE SHIPPING!

FOR ALL ITEMS SHOWN ON THESE TWO PAGES!

LOW PRICE GUARANTEE!

WE'LL BEAT ANY COMPETITOR'S PRICE ON ANY IDENTICAL ITEM - EVEN IF IT'S AN ADVERTISED SPECIAL



CHICAGO
Electric Power Tools

SAVE \$30 FROM OUR FALL '96 BOOK



8-1/4" COMPOUND MITER SAW

- Electric brake stops blade in seconds
- Powerful 1-3/4 HP motor, 120V, 9 amp, 4900 RPM no load speed
- 5/8" arbor
- Cutting capacity 2-1/8" x 5-1/8" miter, bevel, and compound cut
- Miter positive stops at 0°, 15°, 22.5°, 30°, and 45° left and right
- Bevel positive stops at 0° to 45° left
- 20 lbs. shipping weight
- Includes free 8-1/4" multi-purpose blade

ITEM 01078-2VAA **\$99⁹⁹**

CENTRAL MACHINERY

1/3 HP



5 SPEED BENCH DRILL PRESS

- 620 to 3100 RPM
- 8-1/4" maximum distance spindle to table • 1/2" chuck
- 2" stroke, 8-1/4" swing
- 22-1/2" high, 49 lbs. shipping weight
- 1/3 HP motor

ITEM 05901-0VAA **\$48⁹⁹**

DRILL PRESS WITH KEYLESS CHUCK

ITEM 34231-3VAA **\$54⁹⁹**

CENTRAL MACHINERY

FREE ACCESSORIES:
Stand, 6" belt, 9" disc, open-end wrench, and hex key wrench



SAVE \$30 FROM OUR FALL '96 CATALOG

COMBINATION 6" BELT AND 9" DISC SANDER

1HP, 110V, 8 amps, 3450 RPM, all ball bearing motor; Overall height: 40"; Table tilt 0° to 50°; Table surface: 6-1/2" x 12-3/4"; Two position work table for disc or belt use; Disc speed: 1720 RPM; Belt: 6" W x 48" L; Belt speed: 1280 FPM; Weight: 121 lbs.

ITEM 06852-6VAA **\$169⁹⁵**

DRILL MASTER



TiN COATED FORSTNER BIT SETS

Titanium nitride runs cooler, cuts easier, and lasts longer than standard steel! Includes 3/8" shanks and individually organized wooden case. Rockwell hardness range from 55-65 HRC.

20 PC. SET
• 20 sizes from 1/4" to 3/4" by 16ths, 7/8", 15/16", 1" to 2" by 8ths

ITEM 31130-7VAA **\$34⁹⁹**

16 PC. SET
• 16 sizes from 1/4" to 2-1/8" by 8ths

ITEM 32404-8VAA **\$29⁹⁹**

CHICAGO
Electric Power Tools

3-1/4" PLANER



- Front base has a V-groove to help guide in chamfering • 2 blade cutter
- Depth adjustment knob
- Includes rabbeting guide plate/fence, sharpening holder, blade setting jig, replacement brushes, replacement belt
- D-handle with lock-on button
- 1/10" maximum depth of cut; 3-1/4" planing width
- 110V, 5 amps, 17,000 RPM
- 34,000 cuts per minute
- Tool wt.: 6-1/4 lbs.

SAVE 24% FROM OUR FALL '96 BOOK

ITEM 32222-9VAA **\$39⁹⁵**

2 PC. REPLACEMENT BLADES

ITEM 33262-2VAA **\$7⁹⁵**



CONTROLLED PRESSURE, NON-MARRING HARDWOOD CLAMPS

These hand screws will clamp without scratching or marring your workpiece. Hardwood jaws distribute pressure evenly, and can easily be adjusted for non-parallel surfaces and odd shapes.

JAW LENGTH	JAW CAPACITY	REGULAR PRICE	ITEM	PRICE
8"	4-3/4"	\$5.99	04852-3VAA	\$3⁹⁹
10"	6"	\$4.99	04853-4VAA	\$4⁹⁹
12"	8-1/2"	\$5.99	04854-5VAA	\$5⁹⁹

CENTRAL PNEUMATIC
CONTRACTOR SERIES

18 GAUGE AIR BRAD NAILER



This unit has the features you need: safety trigger, adjustable nailing depth, durable aluminum magazine, and easy jam clearance.

- 55-95 operating PSI • 1/4" NPT inlet
- 3/8" to 1-1/4" brad length capacity
- 100 brad maximum capacity
- 18 gauge brads • Tool wt.: 2-3/4 lbs.
- Stainless steel driver & cylinder

ITEM 31308-3VAA **\$39⁹⁹**

18 GAUGE BRADS PACKS OF 5000

SIZE	ITEM	PRICE
3/4"	33205-7VAA	\$2⁹⁹
1"	33206-3VAA	\$3⁹⁹



11 PC. HOLE SAW SET

Cut smooth, clean, accurate holes 7/8" to 2-1/2" through wood, drywall, or even plaster up to 1" thick! Ideal for plumbers and electricians, the set includes 8 tool steel cups sized 3/4", 7/8", 1", 1-1/4", 1-1/2", 1-3/4", 2", and 2-1/2", plus 1/4" and 3/8" mandrels, a 1/4" bit, a hex wrench, and a blow mold case to keep everything organized.

~~\$99~~ **\$79⁹⁹**
ITEM 01262-1VAA

DELTA
Delta 22-540

12" PORTABLE PLANER



- Motor: 15 amp, 120V
- Capacities: 12" width, 6" thick, 3/16" depth of cut • 26.2 FPM feed rate
- Table size with extensions: 12-1/8" x 26"
- 8000 RPM, 16,000 CPM
- Long lasting high speed steel, reversible, double edged knives
- Includes removable table extensions, and fold away depth adjustment for easy transport!
- 27-1/4" x 20-1/2" x 15" overall dimensions
- 68 lbs. tool weight
- Factory reconditioned factory perfect

ITEM 06177-1VAA **\$299⁹⁹**

PLANER BLADES

ITEM 33075-3VAA **\$29⁹⁹**

CONVERTS A 4" GRINDER INTO A CUT-OFF SAW



CUT-OFF SAW CONVERSION KIT

- Turns your 4" grinder into a cut-off saw
- Plate dimensions: 9-1/2" x 9-1/2"
- Spring returns arm to ready position
- Uses grinders side handle mount
- Maximum vise opening: 4"

ITEM 31848-1VAA **\$9⁹⁹**

CHICAGO HEAVY DUTY 4" DISC GRINDER

- 115V, 5.18 amps, 10,000 RPM
- 5/8"-11 spindle with 7/8" arbor adapter
- 11" long, 4-1/2" tool weight

ITEM 01711-4VAA **\$19⁹⁹**

CENTRAL MACHINERY

DRILL 1/4", 3/8", AND 1/2" SQUARE HOLES

MORTISING MACHINE

Make a square hole in the fraction of the time it takes by hand! Fence with hold down clamp keep workpieces from lifting off the table. Large capacity - up to 5" maximum height. Includes fence, workpiece clamp, and 1/4", 3/8", and 1/2" mortising chisels and bits.

- 1/2 HP, 110V, 2.3 amps • 5" throat
- 5" maximum workpiece height
- Accepts .745" chisel shanks
- 3580 spindle speed • 13-3/8" x 6" table
- 10-7/8" x 7-3/4" base • 60 lbs. ship. wt.

ITEM 35570-1VAA **\$169⁹⁹**



2 PC. SUPER STUBBY SCREWDRIVER SETS

These super short stubbys get into areas so small stubbys can't even fit! Perfect for appliances, stereos, television, and more. Features an easy grip handle and chrome vanadium bit. 1-5/16" overall length.

REGULAR PRICE: \$1.99

A. 3/16" AND 1/4" STANDARD **99[¢]**
ITEM 35438-1VAA

B. #1 AND #2 PHILLIPS **99[¢]**
ITEM 35437-1VAA

* Within the 48 States / \$2.95 handling on all orders
Call To Order or Ask for Free Catalog:
Order 24 Hours a Day/7 Days a Week
Most Phone Orders Shipped in 48 Hours



FAX TOLL FREE: 1-800-905-5220
1-800-423-2567

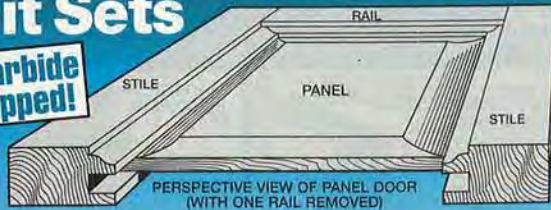
CHARGE IT!



Or Send Check or Money Order to: Harbor Freight Tools, 3491 Mission Oaks Blvd. Box 6010, Camarillo, CA 93011

Save 55% on MLCS Raised Panel Door Bit Sets

Carbide Tipped!

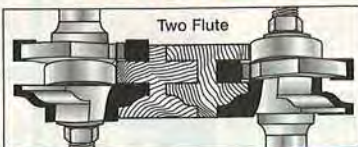


Make Beautiful Raised Panel Doors with your 1/4" or 1/2" Router, or with your 1/2" or 3/4" Shaper.

Our professional production quality router bits make it quick and easy to produce attractive raised panel doors. Our reversible combination bit makes a matching rail and stile frame. The panel raising bit with ball bearing guide makes a perfect raised panel every time!



*Raised Panel Router Bit



*Reversible Combination Rail & Stile Bit
Works with stock from 11/16" to 7/8".

Includes instructions & professional tips!

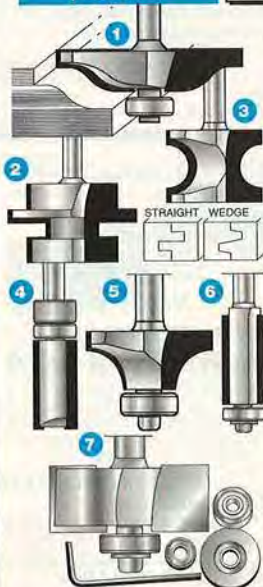
Carbide Tipped RAISED PANEL DOOR SETS			
SET#	BIT STYLE	RAISED PANEL LRG. DIA.	SET PRICE
#1301	1/4" Shank Router	* 2"	\$69.95
#1302	1/2" Shank Router	* 3-1/2"	\$79.95
#1303	1/2" & 3/4" Shaper	4-5/8"	\$99.95

*Ball bearing included

QUANTITY DISCOUNT
When ordering 3 or more router bits deduct \$1.00 each!

1/4" SHANK CARBIDE TIPPED ROUTER BITS

Professional Production Quality Guaranteed!



- OGEE RAISED PANEL**
#1423 2" Large Diameter\$29.95
- TONGUE AND GROOVE**
#1333 Straight\$29.00
#1335 Wedge\$29.00
- BULL NOSE**
#1330 1/2" Dia. of Circle\$16.00
#1331 3/4" Dia. of Circle\$21.00
- PATTERN/FLUSH TRIM**
#1340 1/2" Dia., 1" Cutting length\$15.00
#1341 3/4" Dia., 1" Cutting length\$17.00
- ROUND OVER**
#1314 (1/8" Radius)\$11.00
#1315 (3/16" Radius)\$11.00
#1394 (1/4" Radius)\$13.00
#1316 (5/16" Radius)\$14.00
#1369 (3/8" Radius)\$15.00
#1370 (1/2" Radius)\$17.00
- FLUSH TRIM**
#1337 3/8" Dia., 1" Cutting length\$8.50
#1338 1/2" Dia., 1" Cutting length\$9.50
- RABBETING KIT**
Change ball bearing guides and select 4 depth of cuts: 3/8", 7/16", 5/16", 1/4". Set: 1/4" shank rabbeting bit, 4 bearings (3/8", 1/2", 5/8", 3/4") and hex key.
#1425 1-1/2" Large Diameter\$25.00

MLCS Woodworking Accessories ON SALE!



25pc Brad Point Drill Bit Set

Drill accurate holes in wood, plastics & composites.

Bit sizes from 1/8" to 1/2" by 1/64" increments. Bits are deep fluted to clear chips quickly.

METAL CASE & BIT HOLDER INCLUDED!

ITEM #1413
REG. \$34.95 **SALE \$18⁹⁵**



Biscuit Joining Set

5/32" Slot Cutter-1/4" Shank and 250 #20 Biscuits

"Biscuit Joining with your Router", Instructional sheet included.

FAST & EASY

ITEM #1385
REG. \$35.00 **SALE \$29⁹⁵**



MERLE The ADJUSTABLE CORNER CLAMP®

- Adjustable, uniform clamping pressure on all corners
- Great for wide cabinet frames (for center or edges)
- Forces a frame into perfect square
- Almost NO capacity limitation, ships with 23 FEET steel banding
- Aluminum & Steel construction

ITEM #1420

REG. \$39.95 **SALE \$24⁹⁵**



Router Speed Control

Gets the best results with the wood and bit you are using!

- Works with all routers 3-1/4" HP or LESS - 120V 15 Amp
- Full horsepower and torque at all speeds
- Gives your router a feature only available on routers costing hundreds of dollars!

Includes Dust Cover

ITEM #1304
REG. \$49.95 **SALE \$34⁹⁵**



SOLID BRASS Router Inlay Set

Makes perfect fitting recesses and inlays!

Easy to use inlay kit follows a 1/4" thick pattern template of almost any shape to produce the recess. Create matched inlays by removing the bushing. Fits Porter Cable®, Black & Decker® or any router with an adaptor for Porter Cable bushings. Includes 1/8" solid carbide downcut spiral bit, brass bushing, brass template guide, brass retainer nut & instructions.

ITEM #1426 REG. \$29.95 **SALE \$21⁹⁵**

*Order Set #1427 for all other brands of routers. Includes Set #1426 plus adaptor bushing, router template guide kit, and downcut spiral bit.

ITEM #1427 **SALE \$33⁹⁵**

Expert Technical Help Before & After Sale

FREE 40 PAGE CATALOG!



FREE SHIPPING*
*IN CONTIGUOUS USA FOR ALL ITEMS

MLCS
Professional Woodworking Products

ORDER TOLL FREE
1-800-533-9298
24 HOURS A DAY



Order By Credit Card or Send Check To:
MLCS, Ltd.,
P.O. Box 4053D
Rydal, PA 19046



A PRO AT PRODUCTION

California woodworker Gail Redman makes her living at the lathe, turning anything that fits between centers

She stands seemingly transfixed to the big lathe, her right hand gripping the gouge, her left guiding its cutting edge along the cedar 6×6. There's little noise except for the steady hum of the machine and the shearing by the tool's sharpened tip as it removes wood.

Suddenly, the nerve-jangling sound of the shop's doorbell interrupts. In response, Gail Redman puts down her turning tool and steps toward the entryway that leads to the street. "Good morning," says the perky 51-year-old after unlocking the still-chained door and peering out. Precautions such as this are necessary in the somewhat seamy side of San Francisco's Misson district.

"Mornin', Gail," says the brawny man in jeans and crisp work shirt. Under his arm he cradles a wooden staircase baluster antiqued by time and weather. "Want to see how much it'll cost me to have you turn a dozen of these," he says, explaining his presence.

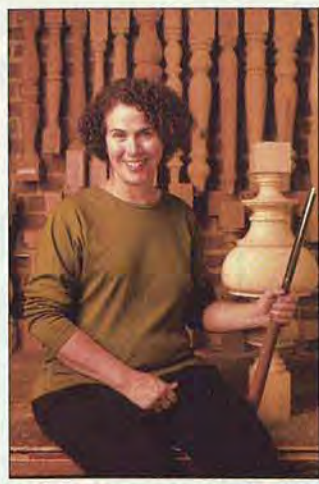
On a regular weekday, the occurrence above may be repeated two or three times in the shop of architectural woodturner Gail Redman. But a busy weekday includes a dozen such interruptions. "The drawback to this business is the 'I-want-it-yesterday' demands of most contractors," says Gail after her customer departs with his quote. "They

Continued

At her English lathe, Gail begins roughing out a cedar baluster. For 6×6 and larger stock, she uses a 1½" gouge.

A PRO AT PRODUCTION

Left inset: The Victorian baluster next to Gail Redman represents the type of work that has kept her in business as a professional woodturner.



Above: The historic Higgins House in Oakland, California's Preservation Park features period balusters turned by Gail.



Above: After an elapsed time of 15 minutes since mounting the wood on the lathe, Gail puts the finishing touches on the cedar baluster.

never seem to have their act together, so I'm constantly under pressure to get turnings out. Yet I do love my work, and so far I've never gotten bored with it."

Although she now modestly claims the title of the nation's only female architectural woodturner ("At least I've not heard of another who does production work"), Gail began her woodworking career in the shop of an evening adult education class in the late 1960s. "I was teaching at the elementary level in some of the San Francisco Bay Area's toughest districts," she recalls. "To reduce stress, I took woodworking, and discovered woodturning." Yet for Gail, it was years and thousands of adventurous, globe-trotting miles later before she would permanently settle into a stance at the lathe.

The journey to down under

Refreshed by evenings in the high school woodworking shop, Gail managed to continue teaching for a few more years, balancing it with travel to Africa and southern Asia. Finally, she felt she was ready for a move.

"I had continued to learn how to turn plates and bowls—the usual stuff," Gail explains. "Then, a furnituremaker friend pushed me into pursuing it. And an old friend who had immigrated to New Zealand encouraged me to come down for a look. He claimed that there was a lot of woodturning going on down there. So I packed up and headed for New Zealand. Only I took the long way around."

In a nine-month period, Gail visited Japan, all of Southeast Asia, and Indonesia. Finally arriving in Auckland, New Zealand, she

began seeking a woodworking job. "Auckland was like the commercial woodturning capital of the world," she comments. "It was unbelievable to see so much handwork there, even in 1974."

What Gail found was a turning industry dedicated to spindles for furniture. And she hadn't traveled all that way to turn chair and table legs. "I wanted to be a bowl turner like Bob Stockdale and others I admired," she recalls.

Bowls, though, weren't in the cards. Yet, Gail ended up in an enviable learning situation.

"There was a company called Matloe Woodturning," she explains. "Dave Wilcox ran the woodturning shop. He had been trained in England and was without a doubt the best woodturner I'd ever seen. He had four other woodturners, all young men in apprenticeship. I'd never turned anything between centers in my life, but Dave took me under his wing and clued me in on a couple



Above: The freshly turned newel posts on the cart are destined for installation on a restoration staircase in San Francisco's Pacifica district. Behind are balusters for a Victorian porch railing.

Below: Gail turned hundreds of Victorian balusters for Oakland's Preservation Park. The entry stairs of the Remillard House display another one of the many styles of turnings used in the Victorian era.



on the

of things. One was 'Forget bowl turning. Between centers is where the work is.' The other thing was that I had better learn to turn his way, or not at all. So I became his protégée, and he became God."

According to Gail, the overhanded turning technique she learned (with her left hand on top of the tool shaft) provides more control. It took a while to master. "I soon discovered that when you make a mistake in spindle turning, it produces a click sound. And when the other turners heard me make it, they would harass me with cat-calls. It was all good-hearted, but pressure just the same."

Gail stayed at the lathe in Auckland for a year and a half before deciding that it was time to leave. In 1976 she returned home with new skills.

Round and round: The business of woodturning

Back in the Bay Area, the newly trained turner soon found a job at

the Haas Wood & Ivory Company, a San Francisco firm that specialized in architectural woodturning. As Gail recalls, "Their master woodturner was an elderly Italian. Even though he had learned woodturning in Italy, his style was very much like that of Dave Wilcox, the Englishman I learned from in New Zealand."

And there was little difference between the work, except for the wood. Down under, Gail had turned strictly mahogany. In San Francisco, it was redwood and a little poplar. "But there were the same beads, flats, coves, ogees, and vase-shaped designs," she says. "Once you have the shapes down, the material doesn't matter much. A spindle is a spindle, whether it's a table leg or a baluster. It's all spindle turning." Gail remained there about a year before she was laid off due to a slowdown in business.

Inspired by necessity, she decided to set up shop. "I bought my

first lathe from an old machinist I'd met in New Zealand," she says. "When it arrived, a cabinetmaker friend of mine built the bed. It took a number of months to get the shop going, even after I bought a bandsaw, sander, drill press, and other tools."

To drum up work for her turning business, Gail went door-to-door in San Francisco, calling on architects, contractors, and interior designers. She printed flyers and cards, and sought referrals. "I'd see about four or five people a day," she remembers. "In those days, 50 balusters would have been a huge order, but I'd get 30. I'd see a contractor working on a Victorian building and introduce myself. To this day I've still got customers I met that way."

More than 20 years later, Gail speaks with a confidence built from experience. "When I first started, I charged \$15 per hour and it took me 25 minutes to turn a baluster. But you learn to get

Continued.



A PRO AT PRODUCTION

fast when you go into business for yourself," she says, smiling. "Now, I get about three times that and do one in from 8 to 15 minutes, depending on its intricacy."

Architectural turnings for restorations represent about 80 percent of Gail's work. Yet, she still maintains one motto that states, "No job is too small." So she turns everything from table legs to door and cabinet pulls.

Twenty-three years of woodturning has, however, made her more selective. "I've paid my dues doing the grunt work," the woodturner laughs. "Now, I let my helper do all the boring production jobs. I do the setup and turn the first one, then leave him alone. Otherwise, I like the small runs and the prototype jobs that have to be accurate. A woodturner has to have a good eye and be able to measure a sixteenth of an inch at a glance. That's why I do the intricate things. I also turn all the big stuff, like porch posts. And I conduct the business."

Turning "big stuff" is the main reason that Gail has always had shop space in conjunction with a

cabinetmaker or furnituremaker. "At times I need big machines to saw, plane, or joint and get my wood to finished rough dimensions," she explains. For the past 14 years Gail has followed that philosophy by renting space from Richard Gatti, a locally renowned furnituremaker who specializes in high-end commission pieces.

Tools made to last

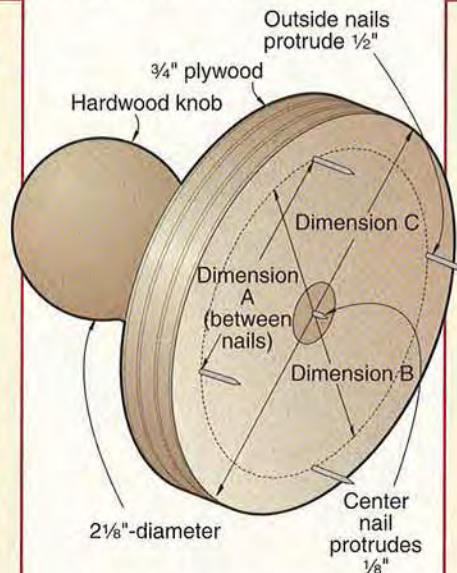
Gail's first lathe still occupies space in her woodturning shop as a fond reminder of New Zealand. Her assistant now uses it.

The focus of her turning, though, is the 8½'-bed Dominion lathe. The warning label that reads "Do not adjust whilst machine is running" indicates its English origin.

"A friend of mine had told me about the company, so I called them in Halifax and had it built to my specifications," notes Gail. "When they were putting it together, I had to talk to them a lot because they had never made a lathe with variable speed before."

With the clear vision of hindsight, Gail now wishes she had

SHOP-MADE CENTER FINDER



	A	B	C
5½"	4³⁄₁₆"	5⁷⁄₈"	7³⁄₈"
3½"	2¹³⁄₁₆"	4"	4⁷⁄₈"
2½"	2¹⁄₁₆"	2¹⁵⁄₁₆"	3⁷⁄₈"
1½"	1½"	2¹⁄₈"	2⁷⁄₈"

Gail uses these easily built tools to quickly find and mark the centers of stock-dimension turning squares. Simply place the finder over an end of the wood, move it around until it fits snugly, then press or tap the knob to mark the center.

What turning tools do you need? Gail has some advice

For a basic set of woodturning tools, Gail suggests the following: "For roughing out small stock, such as a 3×3, I suggest a 1" gouge. But if I had to have only one tool, it would be my ½" gouge because I can do everything with it. Of course, it would take me longer, but I could do it all—coves, beads, even flats—they wouldn't be as flat as if I did them with a skew chisel, but it will work. Then, I'd add a ¾" gouge, and a good parting tool. And always buy decent tools made of high-speed steel."



Gail has her turning tools handmade in New Zealand of high-carbon steel. She turns the plain, but hardworking, long-and-strong handles that she prefers.

"Hey, I don't want to be automatic. I was trained to be a turner, and that would be a sellout."

ordered a 10' bed. She has lost business because she couldn't turn 10' posts. But all in all, she's satisfied. "For \$6,500 I got everything, including the shipping," she adds. "The American equivalent would be an Oliver, and they start at about \$10,000."

Many, if not most, production woodturning shops employ duplicating lathes. Gail only briefly thought about following suit. "I looked into buying one after I got hurt one time," she says. "But I must admit I don't have a knack for mechanics, and that machine put me off a bit. Then I said, 'Hey, I don't want to be automatic.' I was trained to be a turner, and that would be a sellout."

Gail's gouges are as trusty as her lathes. "The originals of these were handmade in New Zealand," she says, pointing to her tools arranged on the lathe bed (as shown *opposite page*). "You can't find anything like them on the market. They're all milled from bar stock and hardened. Mostly I

use a 1½" gouge for roughing, a ⅝" for 6×6s, and a ½" for 4×4s."

Looking at the shafts, she comments, "They were all probably 10" long when I got them. I wear them down to 3" before I throw them out." The tools have stout handles about 14" long.

"Lots of turners have these fancy handles made from exotic woods. They're like works of art," she comments. "But I'm a nuts-and-bolts type of gal. I don't have time for those arty things. Tools with long, strong handles give me something to hold on to that I can count on for big work. A short-handled gouge is fine for intricate cuts like finials for furniture and drawer pulls.

"I'm not a purist, either," she continues. "I have a real feel for woodturning, and how things are going with the wood. Sometimes I'll get in there with a bullnose for a long deep groove rather than a ⅜" gouge because I don't want to take the chance of blowing the wood out."

She does it right the first time

Besides "There's never a job too small," Gail has another business credo to guide her. "Do it once and do it right."

"When you cut corners on a job, it always comes back to haunt you, whether it be the quality of the turning, or in particular, the quality of the wood," advises the turner. "Selecting the best wood for the job is really important."

Gail admits that when she first started her own business, she did everything she could to keep her prices down, including using some inferior wood. "If the wood has a little too much moisture, it will check after it's turned," she comments. "If it has sap pockets, they'll eventually bleed to the surface. And knots speed decay."

At first, redwood was Gail's wood of choice for exterior turnings. As the clear, straight-grained wood of old-growth timber began being replaced by lesser quality second-growth wood, however, she switched. "Redwood started getting pricey, and ecologically incorrect, so I bailed out of that market and began using Western red cedar," she explains. "I buy green red cedar—all first growth out of Vancouver Island, Canada. Then, I have it kiln-dried."

In the past few years, Gail has also bought salvaged lumber—old-growth redwood 6×12s and 8×8s reclaimed from bridges and buildings, then resawn. "Redwood not as good costs \$30 a lineal foot in the lumberyard," she says. "I get salvaged redwood for half of that. It all boils down to where I can get the best-quality stock, especially in 4×4 and 6×6 dimensions. I can't deal with defects.

"The name of the game for me is to do a clean job quickly, without losing quality," she says pointedly. "It's a dog-eat-dog business situation here. There are too many woodturners in San Francisco for me to get fancy." ♣

How to hone a gouge

"First, you want a fairly long bevel. Otherwise the steel heats up too quickly," notes Gail. "And avoid grinding it to a pointy shape. You won't be able to use all of the edge.

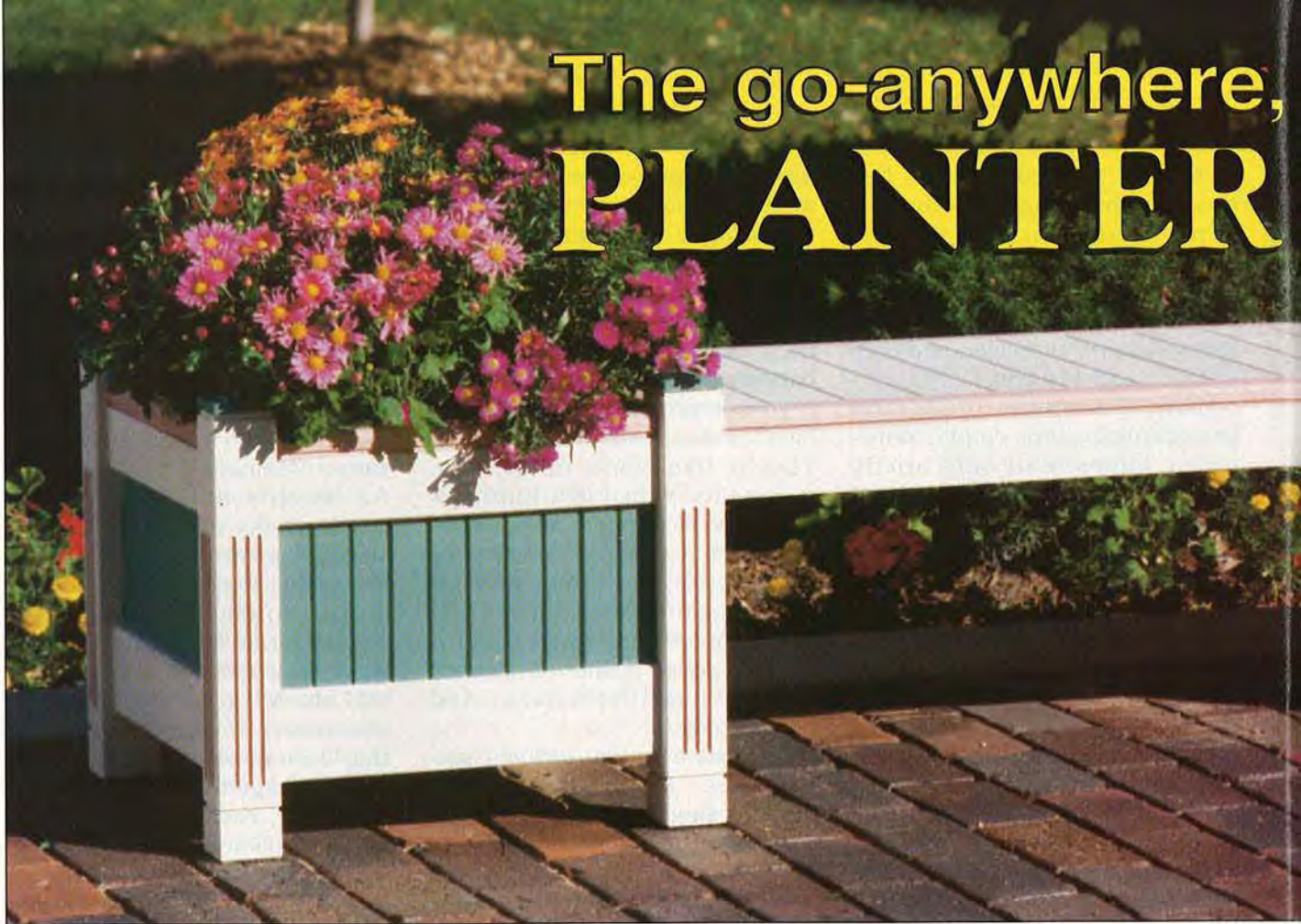
"But don't grind to sharpen," she adds. "A set of turning tools lasts me about 10 years because I don't grind them much. To sharpen a tool, I just hone—a couple of times a day turning cedar. I use a thin, fine Indian oilstone, like the Norton FX34. As lubrication, I use two-thirds machine oil mixed with one-third kerosene. Wet the stone with the oil and run the gouge down it, using as much of the stone as possible. When oil appears on the gouge tip, you're there."



"Keep a loose wrist as you push the bevel along the stone," Gail instructs. "When you see oil on the tip, you've sharpened enough on that pass."

Written by Peter J. Stephano Photographs: Dan Sullivan Drawing: Roxanne LeMoine.

The go-anywhere, PLANTER



Our modular planter/bench can take on many shapes, as shown in the design options on the opposite page. If seating's not a problem, just build a few planters for some welcome plant holders for your patio or deck. Lots of options, take your pick!

Let's start with the legs

1 To form the 2½"-square legs (A), start by crosscutting nine pieces of 2×6 cedar stock to 18" in length. Then, rip each piece of 2×6 centered down the middle. Using an exterior adhesive, glue the 18"-long pieces face-to-face.

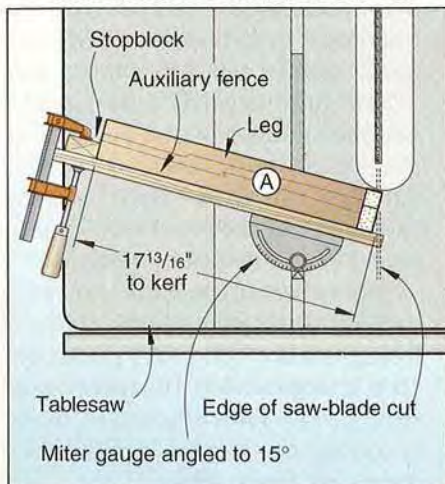
Note: Forming of the legs involves several setups. To elimi-

nate ruining a leg, we used the extra leg to test the cuts before machining the eight good legs.

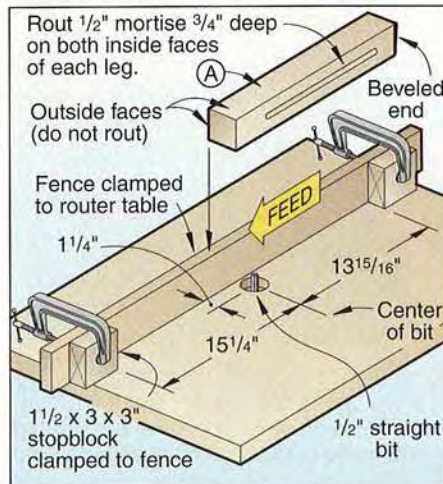
2 After the glue has dried, scrape off any excess, and rip each lamination to 2½" square. Then, trim to 17½" long.

3 To cut the 15° bevels across the top end of each leg (A), attach a long extension to your miter

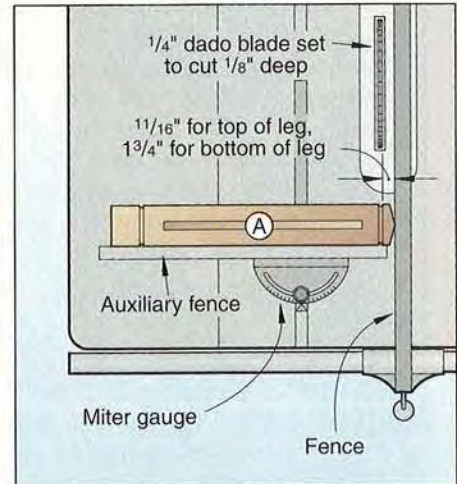
CUTTING THE BEVELED TOP



ROUTING THE MORTISES



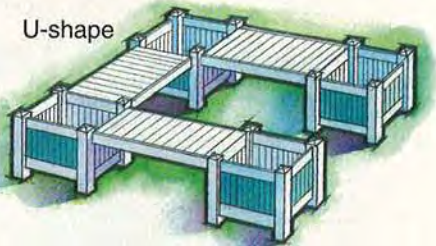
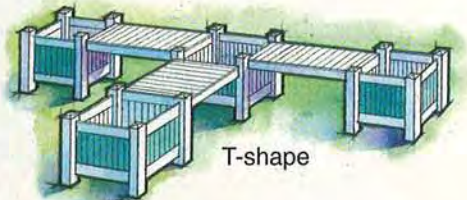
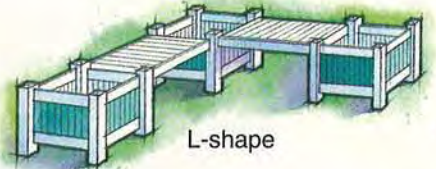
CUTTING THE DADOES



do-anything /BENCH



DESIGN OPTIONS

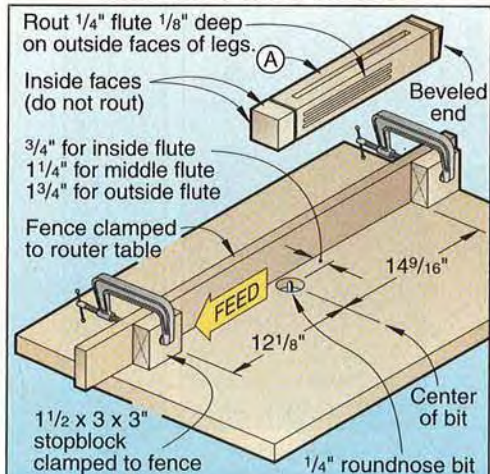


gauge, and angle it 15° from your tablesaw blade where shown on Cutting the Beveled Top drawing. Now, attach a stopblock to the extension where shown.

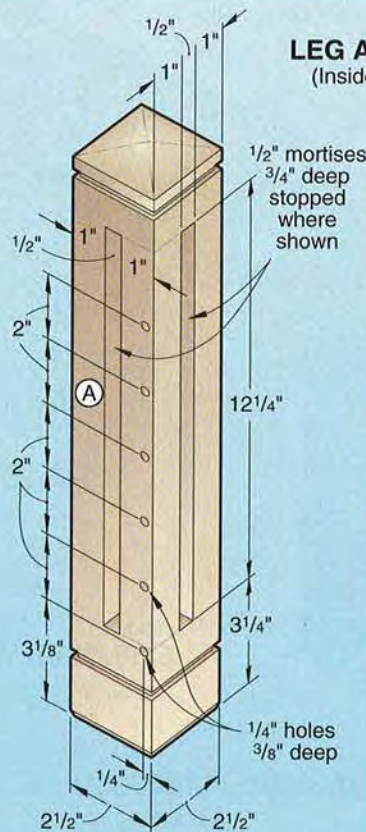
4 To prevent chipout, wrap masking tape around the end of the leg to be mitered. Then, make four mitercuts across the top end of each leg, trimming each to its

Continued

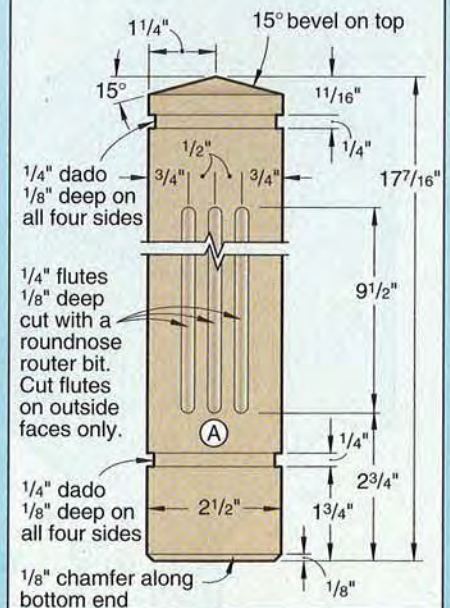
ROUTING THE FLUTES



LEG ASSEMBLY (Inside surface)



LEG DETAIL (Outside surface)



PLANTER/BENCH

17 $\frac{7}{16}$ " finished length. Remove the remaining masking tape.

5 Fit your table-mounted router with a $\frac{1}{2}$ " straight bit set to cut $\frac{3}{8}$ " deep. Now, clamp a fence to your router table, and then clamp two stopblocks to

the fence where shown on Routing the Mortises drawing on page 36.

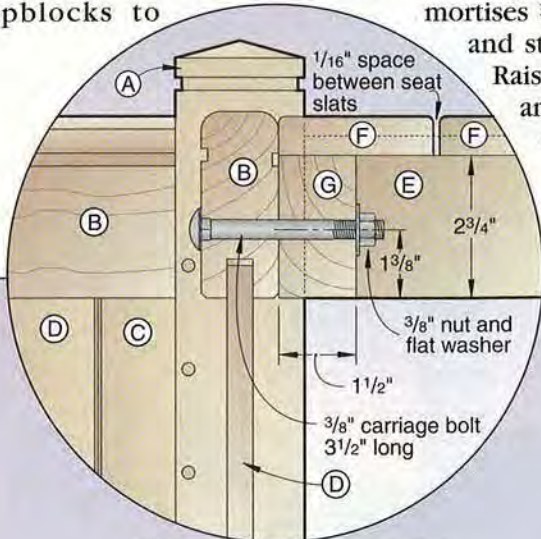
6 Mark the two inside surfaces of each leg, putting the best two surfaces *opposite* these. Rout the $\frac{1}{2}$ " mortises $\frac{3}{8}$ " deep using the fence and stopblocks for alignment.

Raise the bit to cut $\frac{3}{4}$ " deep, and make a second pass to deepen the mortises to their final depth. Chisel the ends of the mortises square.

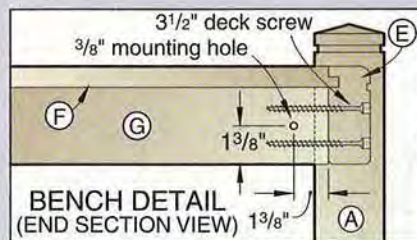
7 Fit your table saw with a $\frac{1}{4}$ " dado blade and miter-gauge extension, and cut $\frac{1}{4}$ " dados $\frac{1}{8}$ " deep across all four surfaces of each leg where shown on the Cutting the Dados drawing. The top dado is $\frac{1}{16}$ " from the top end of the leg, and the bottom dado is $1\frac{3}{4}$ " from the bottom end of the leg where shown on the Leg detail.

8 Switch to a $\frac{1}{4}$ " roundnose bit in your table-mounted router. Position the fence and stops, and rout a $\frac{1}{4}$ " flute $\frac{1}{8}$ " deep along one

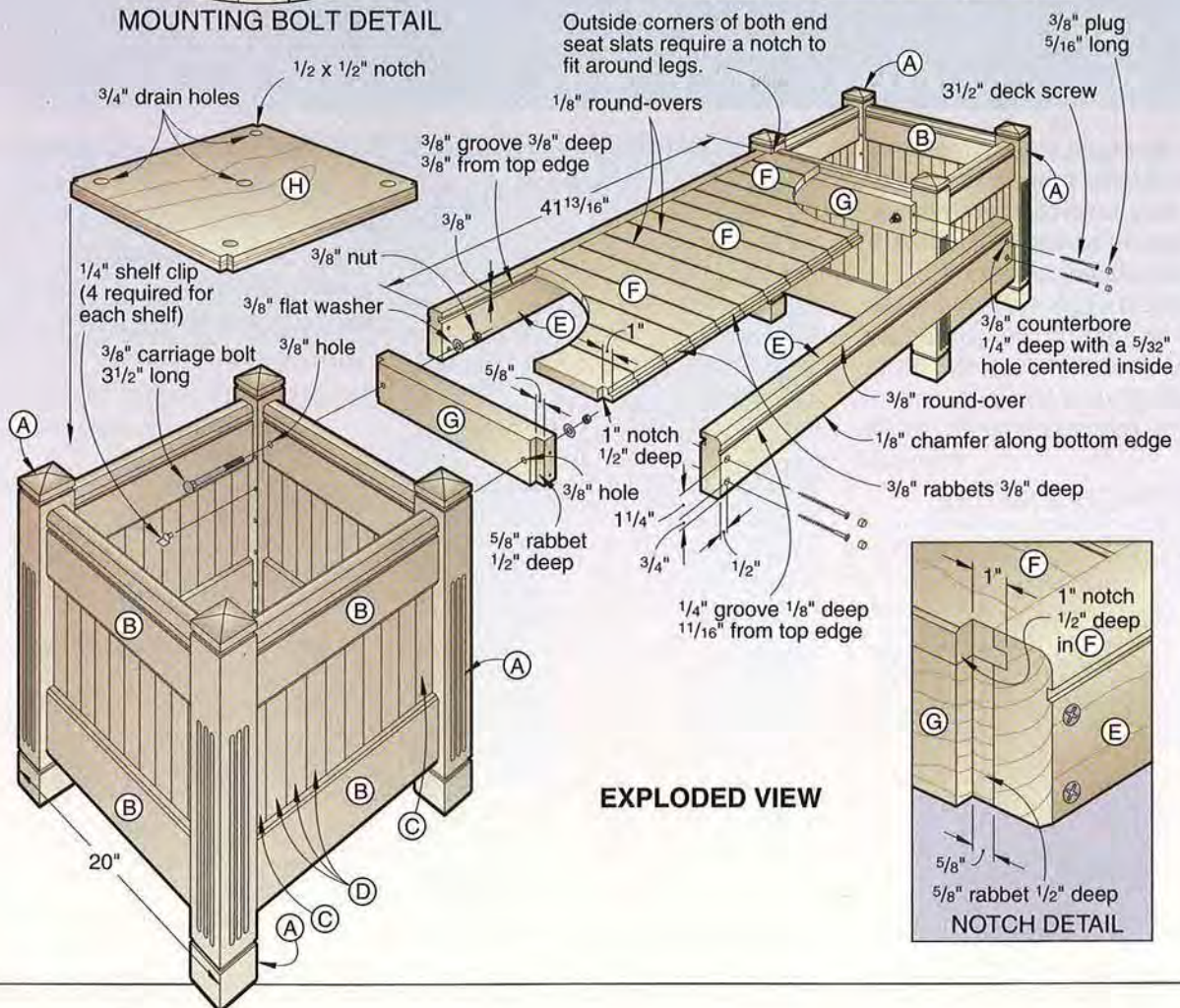
Continued



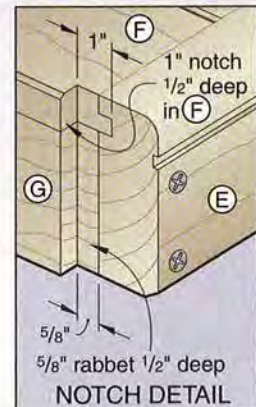
MOUNTING BOLT DETAIL



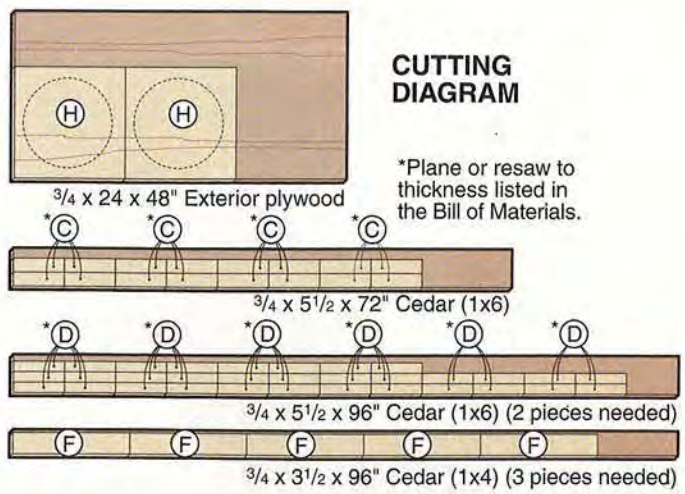
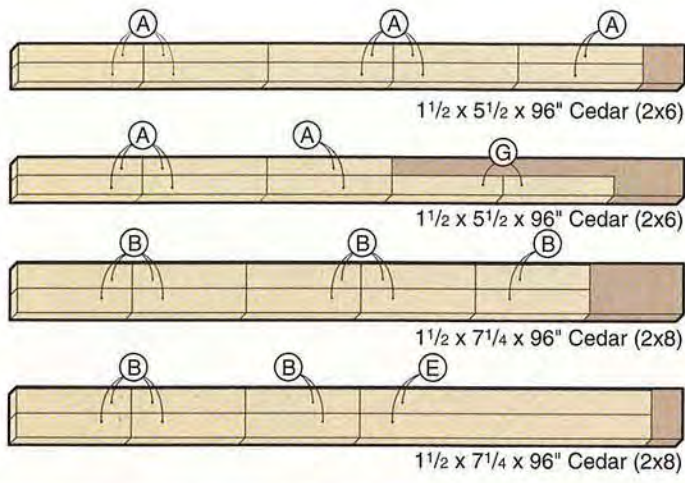
BENCH DETAIL (END SECTION VIEW)



EXPLODED VIEW

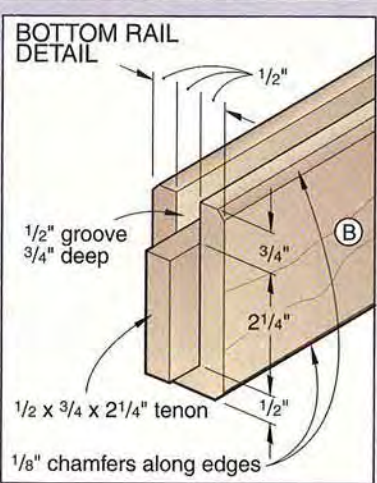
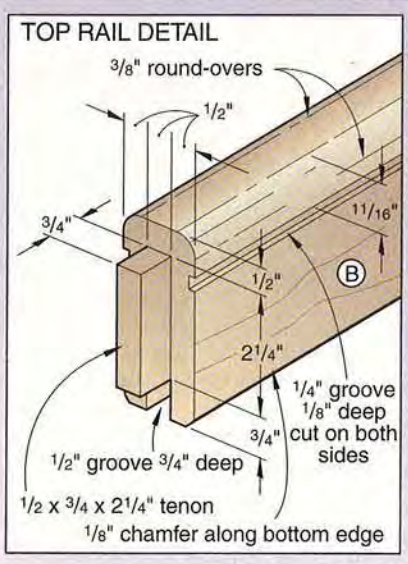


NOTCH DETAIL



CUTTING DIAGRAM

*Plane or resaw to thickness listed in the Bill of Materials.

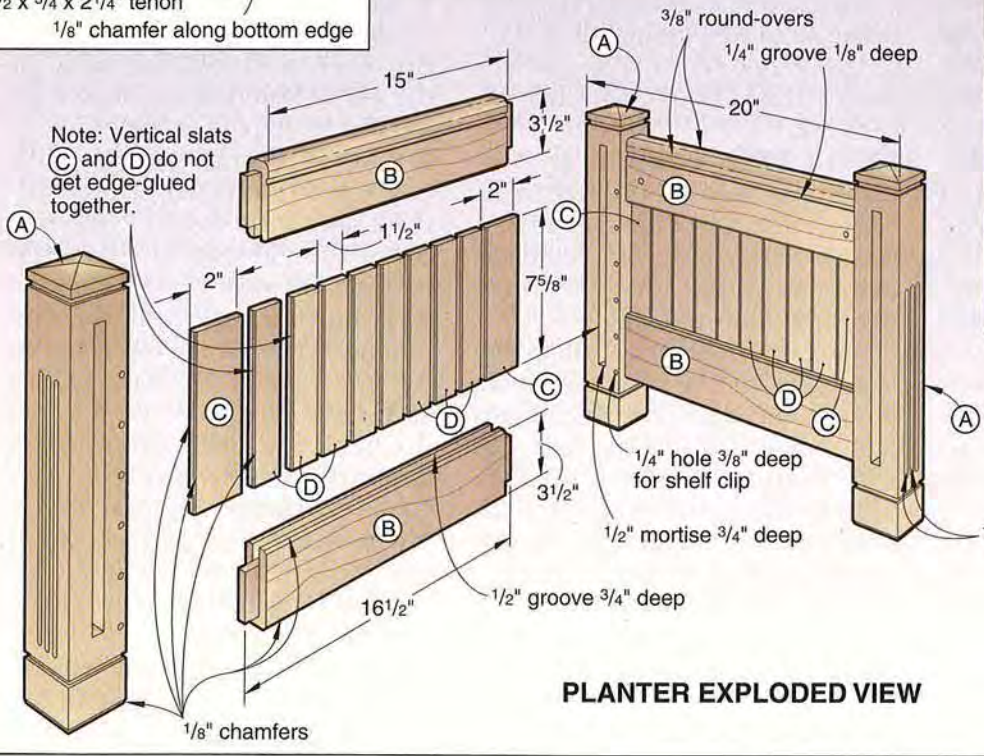


Bill of Materials					
Part	Finished Size			Mati.	Qty.
	T	W	L		
PLANTERS					
A* legs	2 1/2"	2 1/2"	17 7/16"	LC	8
B rails	1 1/2"	3 1/2"	16 1/2"	C	16
C slats	1/2"	2"	7 9/8"	C	16
D slats	1/2"	1 1/2"	7 9/8"	C	64
BENCH					
E rails	1 1/2"	3 1/2"	41 13/16"	C	2
F slats	3/4"	3"	16 3/4"	C	14
G frame ends	1 1/2"	2 3/4"	16"	C	2
SHELVES					
H shelves	3/4"	15 3/4"	15 3/4"	EP	2

*Initially cut parts oversized. Then, trim each to finished size according to the how-to instructions.

Materials Key: LC—laminated cedar, C—cedar, EP—exterior plywood

Supplies: 4—3/8" carriage bolts 3 1/2" long with nuts and flat washers, 8—1/4" shelf clips, 3 1/2" deck screws, exterior sealer or primer and paint.



PLANTER EXPLODED VIEW

PLANTER/BENCH



Drill $\frac{1}{4}$ " holes where marked on each leg for the shelf pins. A fence on your drill press ensures alignment.



When assembling the planter end frames, be sure to square them as you tighten the clamps. The slats float in the end frame.

surface *opposite* the surfaces with the routed mortises. See the Leg detail and Routing the Flutes drawing on the *previous page* for reference. Reposition the fence, and rout a second flute along the same surfaces, but along the opposite edge of the leg. Finally, reposition the fence again, and rout the third flute centered between the first two flutes.

9 Rout a $\frac{1}{8}$ " chamfer along the bottom edges of each leg. See the Leg detail for reference.

10 Position the eight legs (A) side by side, with one $\frac{1}{2}$ " mortise facing up, and the other mortises facing you. Using a framing square align the bottom ends of the legs. Now, use the square to measure and mark the $\frac{1}{4}$ " holes for the shelves on the top surface of each leg. Using a fence on your drill press for alignment, drill a $\frac{1}{4}$ " hole $\frac{3}{8}$ " deep at each marked line as shown in the photo *above*.

Now, machine the top and bottom rails

1 Cut the top and bottom rails (B) to the size listed in the Bill of Materials. Rout or cut a $\frac{1}{2}$ " groove $\frac{3}{4}$ " deep, centered along one edge of each rail.

2 Cut rabbets along the ends of each rail to form tenons to fit snugly into the mortises in the legs as dimensioned on the details accompanying the Planter Exploded View drawing.

3 Rout $\frac{3}{8}$ " round-overs along the top edges and $\frac{1}{8}$ " chamfers along the bottom edges of the eight rails (B) you'll use for the top rails. Cut a $\frac{1}{4}$ " decorative groove $\frac{1}{8}$ " deep next to the round-overs on both sides of each top rail where shown on the Top Rail detail.

4 Rout $\frac{1}{8}$ " chamfers along all edges of the bottom rails (B) where shown on the Bottom Rail detail accompanying the Planter Exploded View drawing.

Cut the slats, and secure them between the rails

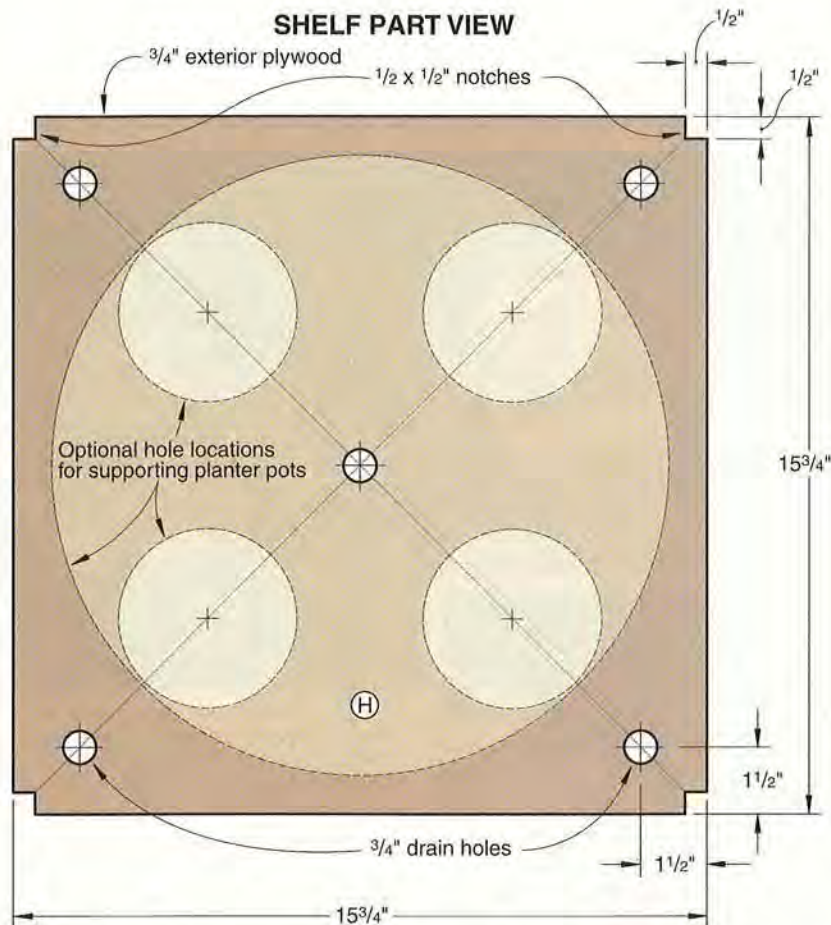
1 Resaw or plane stock to $\frac{1}{2}$ " thick for the slats (C, D). Then, rip them to the widths listed in the Bill of Materials and shown on the Planter Exploded View.

2 Rout $\frac{1}{8}$ " chamfers along both edges (not the ends) of each $\frac{1}{2}$ "-thick slat (C, D).

3 With a wide slat (C) on each end, fit the slats (no glue necessary) into the groove in the bottom rail. Then, fit the top rail onto the top ends of the slats. Clamp and check for square.

4 Check the fit of the rail/slat assemblies between the legs. Glue and clamp a rail/slat assembly between two legs as shown in the photo *above*. Check for square. Repeat for the three remaining end panels.

5 Glue and clamp the remaining rail/slat assemblies between the planter end panels (A, B, C, D).



It's time to add the bench assembly

1 Cut the bench rails (E) to size. Then, rout the round-overs and chamfers, and cut the grooves in the rails where shown on the Exploded View drawing and accompanying details.

2 Cut the bench slats (F) to size. Then, cut rabbets across the ends of the slats to fit into the $\frac{3}{8}$ " groove on the inside face of the rails (E). Next, rout $\frac{1}{8}$ " round-overs along the edges, but not the ends, of the slats.

3 Cut the bench-frame ends (G) to fit between the rails (E). Cut rabbets across the ends to fit between the legs (A) of the assembled planters where shown on the Exploded View drawing and accompanying Notch detail.

4 Dry-clamp (no glue) the bench assembly (E, F, G) together. Cut

notches on the slats (F) at each end of the bench assembly where shown on the Exploded View drawing. Now, check the fit of the clamped-up bench between the planters, and adjust if necessary. Remove the clamps and separate the pieces.

5 Drill a pair of $\frac{3}{8}$ " holes through each frame end (G) where dimensioned on the Bench detail accompanying the Exploded View.

6 Clamp a bench-frame end (G) to one of the planter assemblies so the bottom edge of the end (G) is flush with the bottom edge of the top rail (B) where shown on the Mounting Bolt detail accompanying the Exploded View drawing. Use the previously drilled holes in the end (G) as guides to drill the same-sized holes through the rail. Repeat for the other frame end and remaining planter.

Let's assemble the bench

1 Fit the slats (F) into place between the rails (E), using $\frac{1}{16}$ " strips as spacers between the slats to test the fit and check for equal gaps. Trim if necessary. Then, glue and clamp the slats in place, wiping off any excess glue immediately. We used a $\frac{1}{4}$ " acid brush to apply the glue to the grooves in the rails (E). Now, glue and clamp the end rails (G) in place. Check the bench assembly for square.

2 Drill a pair of counterbored mounting holes at each end of the bench rails (E) and into the ends of the mating rails (G). Drive deck screws to secure each joint.

3 Cut $\frac{3}{8}$ " plugs $\frac{3}{8}$ " long, and glue into the counterbores over the deck screws. Sand the plugs flush.

4 Cut the planter shelves (H) to shape using the Shelf Part View drawing for reference. Now, drill five $\frac{3}{4}$ " drain holes in each shelf. You can either set your pots directly on the shelves in the planter boxes, or cut holes into the shelves to fit your particular pots. To extend the life of the planters, put potted plants in the planter boxes on the shelves. We do not recommend filling the planter boxes directly with dirt.

Finish and enjoy

1 Completely seal the project with a clear exterior finish, or prime and paint the planters and bench as desired. Pay particular attention to sealing the bottoms of the legs (A). (We used True Value's Tru-Test colors from their Exterior Historical Collection of Victorian Era Colours. We used sedge for the main color, seahurst for the panels and post caps, and cameo rose for the top of the rails and flutes.)

2 Bolt the seat assembly between the planters. Determine the shelf height, and add the shelf pins and shelves. Finally, add the potted plants and have a seat. ♣

What a difference

Spend a day in Mark Tudor's THE WOODWORKERS' PLACE



Above: "Finished!" Adult students in Mark Tudor's one-day woodworking class celebrate the completion of their Adirondack chairs. (That's me, third from the left.)



Left: Mark Tudor, founder of The Woodworkers' Place, shows off the projects of his various one-day classes. They include a potting bench, a sofa table, a mission lamp table, an Adirondack chair, a firewood carrier, and a Shaker bench.

Recently, I had the chance to get out of the office and spend a day in one of Mark Tudor's woodworking classes. What a kick! There were actually two classes scheduled for that Saturday; I could build either a potting bench or an Adirondack chair. Since I'm not much of a gardener, I chose the latter, though both designs had their merits.

Jim Harrold
Managing Editor

People living in the Pasadena area in California—particularly woodworkers—now have more to cheer about than the famed Rose Bowl parade and football game. They have craftsman Mark Tudor's "The Woodworkers' Place."

With over 15 years of professional experience under his shop-apron strings, Mark set out to teach the joy of woodworking to interested beginners while providing a full-service shop facility to experienced woodworkers. Mark found the perfect location when he stumbled onto an out-of-service woodworking shop built in 1923 at one of the local middle schools.

After working out a lease agreement with the school system, Mark reopened the shop's doors, restoring it to its original function.

Inside the spacious, sun-filled room, Mark discovered several industrial-strength woodworking machines in need of a little tuning. They included a hefty pair of bandsaws, a disc sander, a jointer, a 36"-wide planer, a lathe, and others. To this he added several of his own tools, then hung his sign which proudly proclaims "THE WOODWORKERS' PLACE, A LEARNING EXPERIENCE."

No ordinary woodworking class

Having a great shop environment is one thing, but luring students to come requires a hook. Mark devel-

a day makes

and you really will have something to show for it.

oped a good one that fits right into today's lifestyles. Attend one of his classes, says Mark, and you will "build and take home a completed piece of furniture the same day." He adds, "People are pretty busy. They like the idea that they can make something substantial so quickly and with just limited [woodworking] experience."

Mark makes it easy for novice and experienced woodworkers to succeed. He offers a variety of popular one-day project classes (see *opposite page*) and a few two-dayers. He assigns class dates to each project (usually a Saturday). But in order for students to enroll in a project-building class, Mark requires them to take his three-hour tool use and safety course.

When students show up for

class, they receive all of the materials—screws, glue, and wood—and tools needed to complete their project. Mark figures these, along with building rental and instructor fees, into the class cost. Single-day project-building classes run around \$160, lunch not included.

So what's in it for students?

Adults enjoy their time at The Woodworkers' Place. "For one thing," says Mark, "they find a friendly environment that they can escape into." As the day progresses, they face a constant stream of woodworking tasks. "Students learn mortise-and-tenon joinery, biscuit joinery, how to work with patterns, all while using a full range of shop tools." And they meet people with similar interests.

Because classes are small (Mark limits them to eight students), everyone receives lots of individual help. If it's not Mark, then it's his father Dwight, or another craftsman/teacher. The classes focus on machining project parts and assembly skills rather than tool setup. Mark or one of the other craftsmen/teachers do this for the students, keeping one step ahead of the class. "People want to spend most of their time on the machines. That's what they come here for, so that's how I structure the class," says Mark.

Finally, at the end of 8 or 9 hours, students leave the workshop with a pretty impressive project in their arms. If you are interested in Mark's program, give him a call at 818/584-1967.

Let the sawdust fly: a typical Saturday at The Woodworkers' Place



8:30 Class begins

The last of the six students signed up to build the Adirondack chair arrives. Mark chats about safety and his game plan for building the chair. He then divides the students into teams of two and assigns each pair to a workshop table. On these are tape measures, pencils,

squares, and rough-cut boards ready for patterning. Since the chair has many patterned pieces, our first order is to trace out the parts prior to cutting. *Above left*, Mark speeds the work by providing student Jeff Ryder with the hardboard pattern template for the arm/leg assembly. That way, all patterned parts remain consistent.



9:40 Things take shape

Students turn to the stationary power tools to cut their patterned pieces to shape. Jennifer Nielson, *above right*, trims one of the chair arms on the shop's 20" bandsaw, one of the tools remaining from the school's original woodworking shop. As the morn-

Continued

What a difference a day makes



ing continues, more parts are cut to shape and chair subassemblies built using screws, glue, wood biscuits, and plenty of enthusiasm.

2:35 Shop jigs to the rescue

At intervals throughout the day, Mark instructs the group on the next construction stage. To ensure that the production work moves

smoothly and that parts are machined accurately, he includes problem-solving jigs in many of the machining processes. Here, *above left*, Mark holds down one of his custom-made router jigs while I rout dados in a chair seat/leg part placed in the jig. Once again, safety and success are guaranteed.

4:10 Time to put it together

Things begin to take shape. Classmates P. J. Hayes and Paula Bush, *above right*, fasten the chair back subassembly to the combined seat/leg/arm subassemblies. Victory is close at hand! Only plugging the countersunk screw-holes remains. Students apply finish to their projects at home.

Graduates sing the praises of their shop experience

Because woodworking was not part of his experience growing up, local TV station news writer Jeff Ryder, *below*, jumped at the opportunity to attend The Woodworkers' Place. "I had recently purchased an older house and wanted hands-on work with tools before tackling projects in the house. Building the chair gave me that chance. I worked with a lot of tools I never used before."

Monrovia resident Amy Earhart, *below middle*, a warehouse and customer service manager in near-

by Cerritos, took Mark's very first Adirondack class some three years ago. Now, she's a veteran—this being her fourth class. "I built two Adirondack chairs, one Windsor chair, and the mission lamp table," she explains. "Each time I learn something new or use some different tools." Thanks to Mark's class, Amy has become a full-fledged hobbyist. "Now, I want to build some Craftsman-style furniture using quartersawn oak. It's great having a shop full of tools only 15 minutes away from home." Who can argue with that?

Pasadena high school science teacher Paula Bush, *below*, first tried her hand at woodworking as a child, when her father showed her how to use a handsaw. Then came The Woodworkers' Place. "The Adirondack chair is the first project I ever made, and I'm very proud of it." She also gives high marks for the format. "I like that the classes are small; you get more attention. And I like spending a whole day on a weekend to build a project rather than taking a series of three-hour evening classes." She, too, will be back. ♣





This Delta exclusive gives you a lock on snipe control. Patent-pending cutterhead snipe control lock stabilizes the cutterhead during operation, for complete rigidity.



Those who've had a sneak preview have nice things to say about it.

Priced in the middle of the pack—we're betting it'll end up at the head of its class.



Quick-change 2-knife system includes two high-speed steel, double-edged, reversible knives, a wrench and installation tool for quick and accurate knife changes.

Plane your own stock up to 12 1/2" wide and 6" thick. All the way down to 1/8" thick.



Easy-to-read English/Metric Scale makes fast work of depth-of-cut settings.

Beware of snipers.



Grab it and go. Weighing in at only 65 pounds, it'll go to work wherever you want it to. Stash it out of the way when it's not in use.



Properly adjusted infeed/outfeed tables can go a long way toward snipe reduction. A low-friction stainless steel base, in combination with these adjustable infeed/outfeed tables, gives you a large smooth surface for moving stock through your planer.

Practical as they are, most portable planers are notorious snipers. If you're looking to minimize sniping without sacrificing portability, check out Delta's new 12 1/2" Portable Planer (Model 22-560), with its exclusive snipe control lock. Call toll free for the name of your nearest Delta dealer. Delta International Machinery Corp., 800-438-2486. In Canada, 519-836-2486.

**THE
POWER
OF THE
PROS**



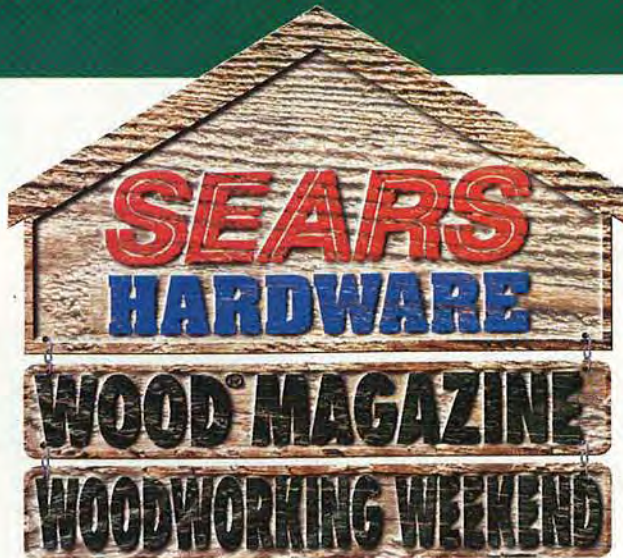
DELTA
WOODWORKING MACHINERY
A Pentair Company



Proud sponsor of *The New Yankee Workshop* on PBS.

The secrets of Master Craftsmen revealed
at selected Sears Hardware stores!

**FREE
Woodworking
Seminars!**



*Learn woodworking secrets from the best
in the business! Join WOOD® magazine
at selected Sears Hardware stores as the*

*WOOD® Master Craftsman shows woodworking tips and
techniques used in building a distinctively styled bookcase.
And they'll show you how to make impeccable woodworking
projects, time after time.*

*There's no cost to attend. Plus, you'll receive
demonstrations and instructions for a wide variety of
woodworking musts:*

- Gluing and Clamping*
- Miter Cutting*
- Routing*
- Finishing*
- Much More!*

**The Woodworking Weekend
will be presented at these
Sears Hardware locations:**

Texas

Spring
Sat., May 3, 1997
10:00 a.m.
4690 Louetta
Spring, TX

Clear Lake
Sun., May 4, 1997
1:00 p.m.
2422A Bay Area Blvd.
Houston, TX

Illinois

Loves Park
Sat., May 17, 1997
10:00 a.m.
1502 E. Riverside
Blvd., Loves Park, IL

Lansing
Sun., May 18, 1997
1:00 p.m.
3679 Ridge Road
Lansing, IL

Pennsylvania

Easton
Sat., May 31, 1997
10:00 a.m.
3762 Easton-Nazareth
Hwy., Easton, PA

Lansdale
Sun., June 1, 1997
1:00 p.m.
1758 Allentown Road
Lansdale, PA

Quakertown
Sat., June 7, 1997
10:00 a.m.
70 Northwest End
Blvd., Quakertown, PA

Fairless Hills
Sun., June 8, 1997
1:00 p.m.
540 Oxford Valley Rd.
Fairless Hills, PA

Ohio

Stow
Sat., June 21, 1997
10:00 a.m.
835 Graham Road
Stow, OH

Macedonia
Sun., June 22, 1997
1:00 p.m.
949 E. Aurora Road
Macedonia, OH

Medina
Sat., June 28, 1997
10:00 a.m.
1180 N. Court
Medina, OH

Scheffield Village
Sun., June 29, 1997
1:00 p.m.
5308 Detroit
Elyria, OH



SPONSORED BY:

Better Homes and Gardens.

WOOD

BOSCH 
ENGINEERED FOR PERFORMANCE™

Makita
IT'S ALL THE POWER YOU NEED.

QUICK-GRIP



PROBOND

DREMEL

"Jorgensen," "Pony,"



CRAFTSMAN

AVIAN ACRES

A farmstead for the birds

Here's the kind of place birds dream about: a field of seed. You can build this farmyard feeder fast, then enjoy watching the birds all summer long.



The field comes first

1 Cut three pieces of stock $\frac{3}{4} \times 1\frac{1}{2} \times 13$ " for the edgings (A). Rout a $\frac{1}{2}$ " rabbet $\frac{3}{8}$ " deep along one edge of each piece. (We did this with a table-mounted router and $\frac{1}{2}$ " rabbeting bit.)

2 Miter-cut the pieces to 12", cutting both ends of one edging and one end on each of the other two (make sure they're opposite ends) to form a U-shaped border with the rabbeted edge inside. (Refer to the Exploded View drawing on page 49.)

3 Saw the base (B) to the size shown in the Bill of Materials. Use A-C grade exterior plywood or some other sheet material suited for outdoor exposure. Lightly draw diagonal lines on one face. Mark the lines $2\frac{3}{4}$ " in each direction from the point where they cross. Bore a 2" hole at each of the four marks.

4 Cut the flange block (C) to the dimensions shown. Center the block on the bottom of the base (B), and attach it with glue and four 3d finishing nails. Center a $\frac{3}{4}$ " pipe flange (you'll find one in the plumbing aisle at the hardware store or homecenter) on the block. Mark the mounting hole positions, then drill a $\frac{9}{64}$ " pilot hole 1" deep at each mark.

5 Glue and nail the edgings (A) to the base (B) where shown. Note that the edging with two miter-cut ends fits along the shorter dimension of the base.

Make a farm for the field

1 Cut an 8×13 " piece of $\frac{1}{2}$ " exterior plywood. Sand both faces smooth, and apply a coat of white exterior primer to each side. (While you're prime-painting, put a coat on the base assembly you just completed.)

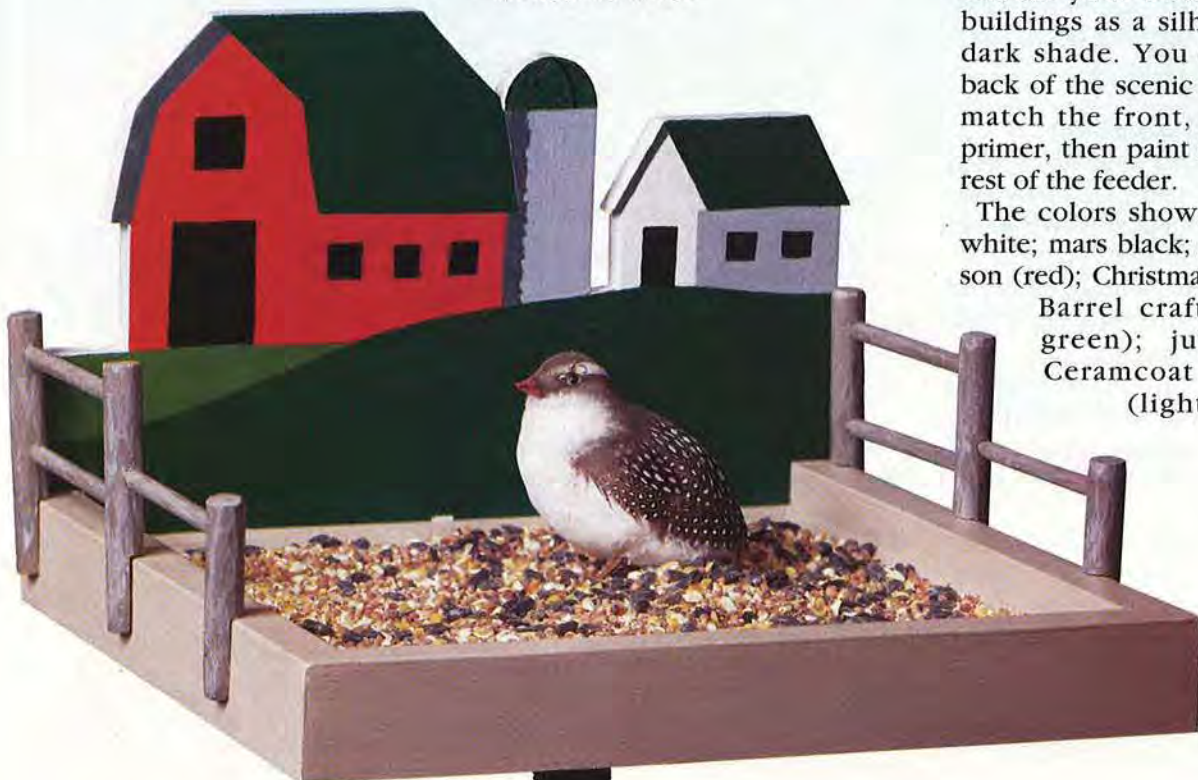
2 Photocopy the full-sized pattern for the farm background (D) on the following pages. Trace the pattern outline and detail lines onto the best side of the primed plywood. (Spray on a light coat of Deft clear wood finish afterwards to prevent smearing the lines.)

3 Scrollsaw the outside pattern line. (We sawed ours using a #5 blade, .038 \times .016" with 14 teeth per inch.) Fill any voids in the sawn edge, then paint the edge with exterior primer.

4 Paint the background scene with acrylic paints. You can follow the color scheme shown, choose your own, or paint the buildings as a silhouette in one dark shade. You can paint the back of the scenic background to match the front, or leave it in primer, then paint it to match the rest of the feeder.

The colors shown are titanium white; mars black; naphthol crimson (red); Christmas green, Apple Barrel craft paint (dark green); jubilee green, Ceramcoat acrylic paint (light green); and

Continued



AVIAN ACRES

hippo grey, Ceramcoat acrylic paint (dark gray). For the light gray, mix equal parts of hippo grey and titanium white. Where no brand name is specified, the paints are standard acrylic artist's colors, available at art-supply stores.

Run fences along the sides

1 Cut four 3½" lengths and two 2½" pieces from ½" dowel stock for the fence posts. Cut six 4" lengths of ¼" dowel for the rails. (For a rustic look, you could use sticks or twigs of like sizes.)

2 Mark each ½" dowel 1" from one end. At the mark, saw ¼" deep, using a coping saw or dovetail saw. Saw or chisel away the waste to form a rabbet on the end of each dowel.

3 Drill ⅜" holes ¼" deep where shown in each ½" dowel. To hold the dowels steady on your drill-press table, lay them in a V-block.

4 Sand or whittle the ends of the ¼" dowels to fit into the holes in the ½" dowels. Whittle a few irregular spots on all the fence parts for a more rustic look.

5 Glue each fence section together, referring to the Exploded View drawing. After the glue dries, paint the fences gray or brown.

Now, put it all together

1 Paint the field assembly with exterior latex paint. A brown or tan shade of semigloss trim enamel would be appropriate.

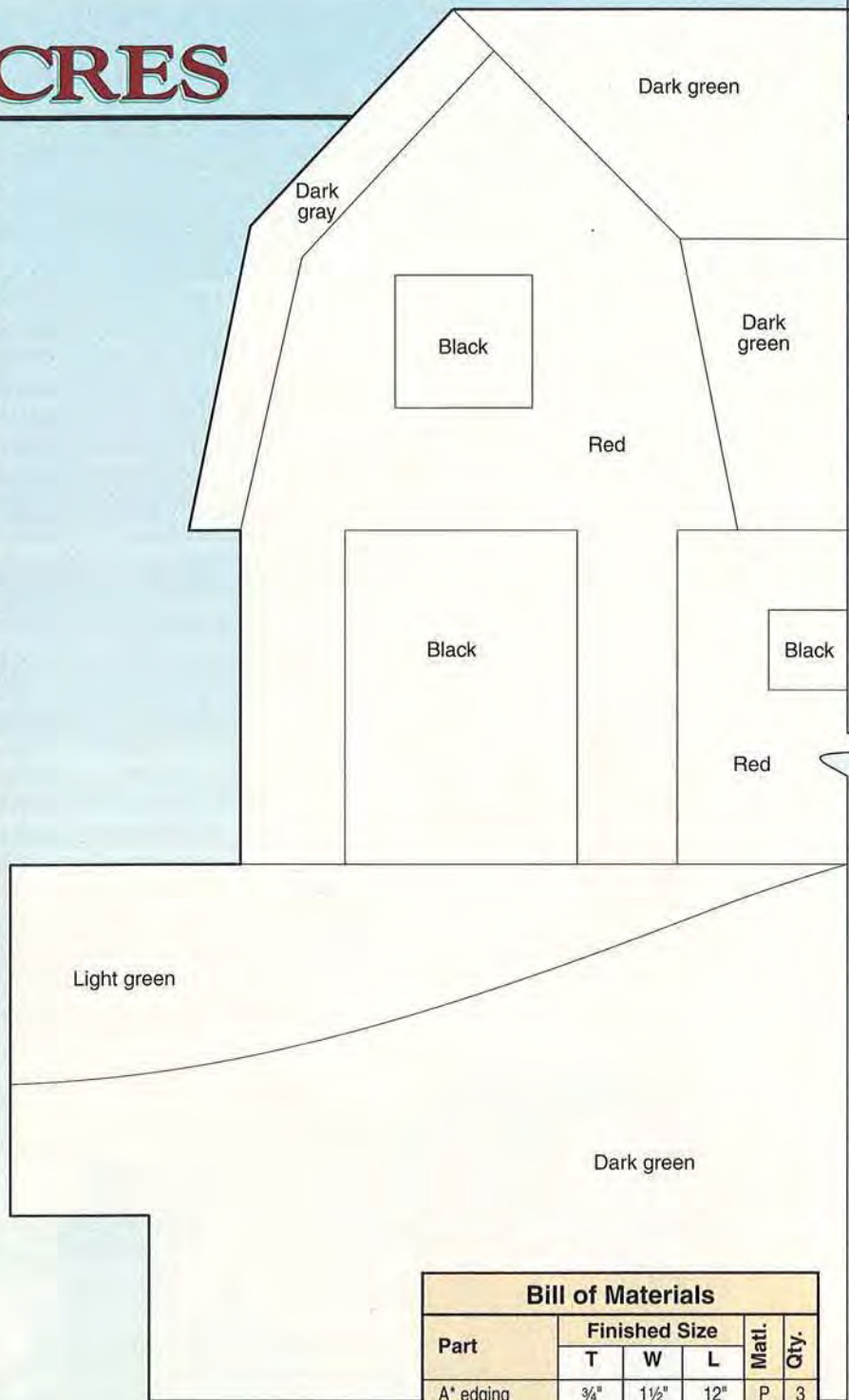
2 Attach the pipe flange to the flange block with four #12×1" flat-head wood screws.

3 Position the farm in the opening at the back of the field. Fasten it in place with weatherproof glue and brads through the bottom of the field assembly.

4 Cut an 11⅞×11¼" piece of aluminum or steel window screen. Miter-cut four pieces of ⅜×⅜" screen molding or quarter round (E, F) to fit inside the feeder. Lay the screen in the bottom, and fasten it in place with the moldings and #17×⅝" brads.

5 Attach an assembled fence to the edging (A) on each side. Fasten them with glue and brads.

6 To install the feeder, screw a piece of ¾" galvanized pipe about 8' long into the flange. Stand the other end of the pipe in a hole about 18" deep, then pour in concrete to fill the hole. Brace the pipe to hold it vertical until the concrete cures. 🌱

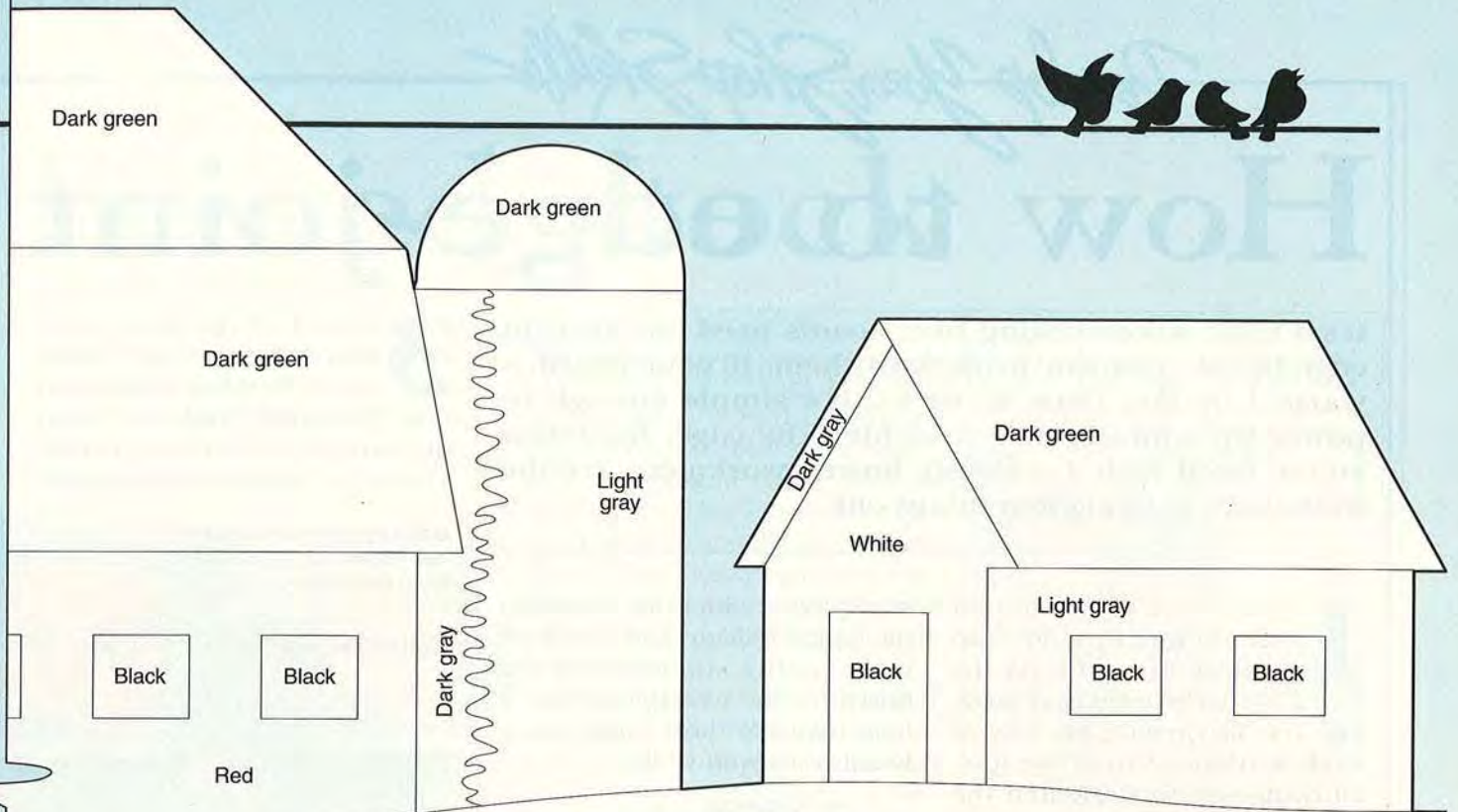


Bill of Materials					
Part	Finished Size			Matl.	Qty.
	T	W	L		
A* edging	¾"	1½"	12"	P	3
B base	½"	11¼"	11⅞"	PW	1
C flange block	¾"	3½"	3½"	P	1
D* background	½"	7½"	12"	PW	1
E* side molding	⅜"	⅜"	10⅞"	PM	2
F* end molding	⅜"	⅜"	10⅞"	PM	2

*Initially cut parts oversized. Then, trim to finished size in accordance with the how-to instructions.

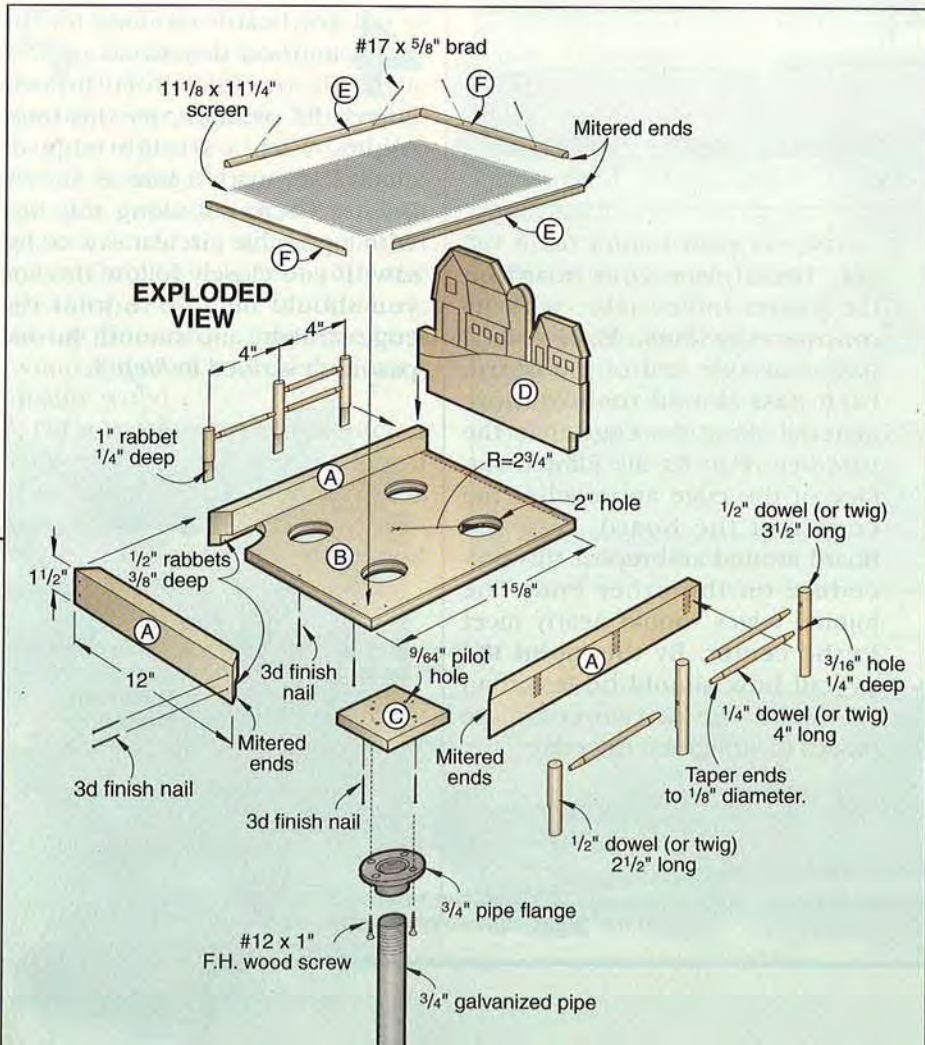
Materials Key: P—pine, PM—pine screen molding, PW—exterior-grade plywood.

Supplies: ¼" and ½" dowel stock, window screen, ¾" pipe flange, 3d finishing nails, #17×⅝" brads, #12×1" flathead wood screws, glue, paint.

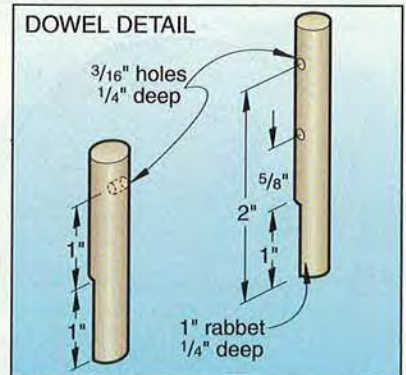


Ⓓ

FULL-SIZED PATTERN



Project Design: David Ashe
 Photograph: John Hetherington
 Illustrations: Roxanne LeMoine;
 Lorna Johnson

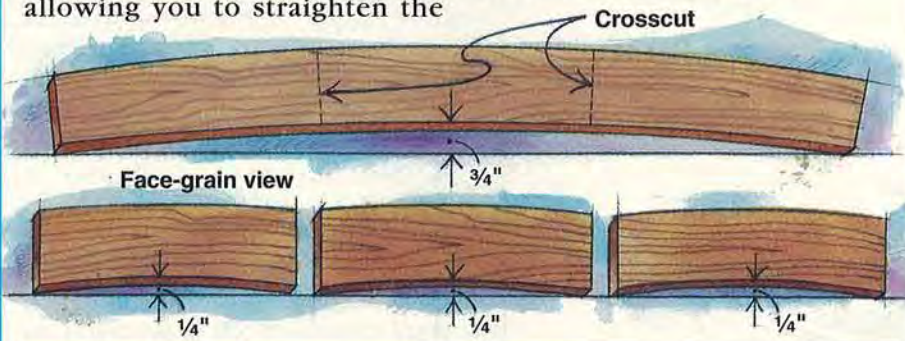


How to edge-joint

It's a basic woodworking rule: boards need one straight edge before you can work with them. If your board is warped by less than $\frac{1}{2}$ " or so, it's simple enough to power up a jointer and straighten the edge. But when you're faced with a seriously bowed workpiece, try the tricks here to straighten things out.

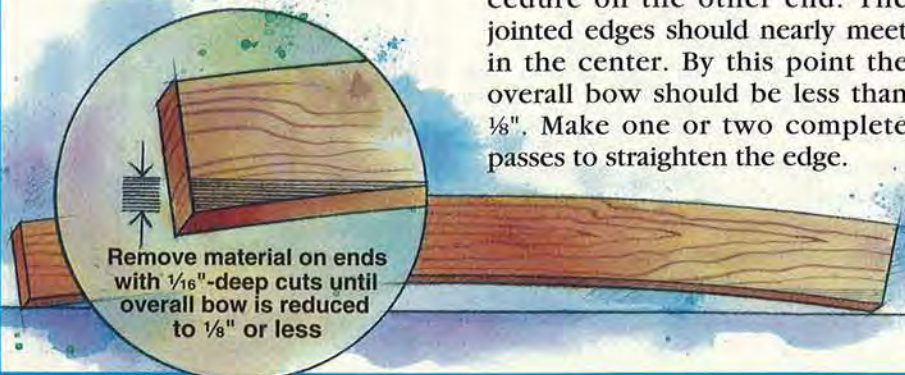
1 Before you joint a board that's bowed by more than $\frac{1}{2}$ " along its length, cut the board to shorter lengths, if possible. This may reduce the bow of each workpiece to $\frac{1}{2}$ " or less, allowing you to straighten the

workpieces with your jointer in the typical fashion. And, you'll get more usable stock out of the board. In the example *below*, a board with $\frac{3}{4}$ " bow yields three boards each with $\frac{1}{4}$ " bow.

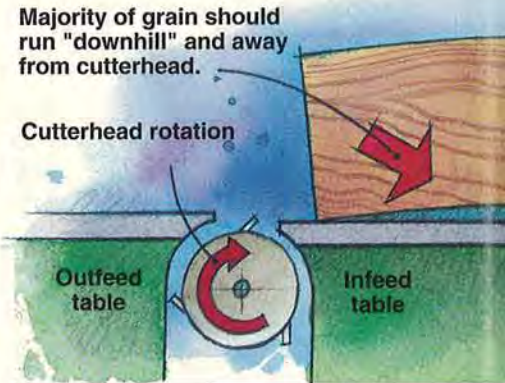


2 If you can't cut your board to shorter lengths, use this method to joint long, bowed stock. (We do not recommend that you try this procedure with workpieces longer than 6' if you have a 6" jointer, or longer than 8' if you own an 8" jointer. For these pieces, use the procedure described in Step 4.)

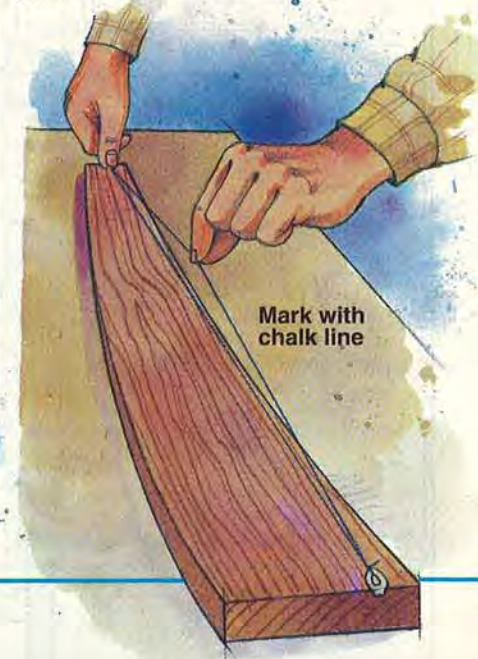
First, set your jointer for a $\frac{1}{16}$ " cut. Then, place your board on the jointer infeed table with its *concave edge down*. Make several passes on one end of the board. Each pass should remove more material along the edge than the pass before it. As the jointed surface of the edge approaches the center of the board, turn the board around and repeat this procedure on the other end. The jointed edges should nearly meet in the center. By this point the overall bow should be less than $\frac{1}{8}$ ". Make one or two complete passes to straighten the edge.



3 Next, read the grain of the board to determine which end to feed first so the grain runs "downhill" and away from the cutterhead as shown *below*. This helps reduce grain tearout.

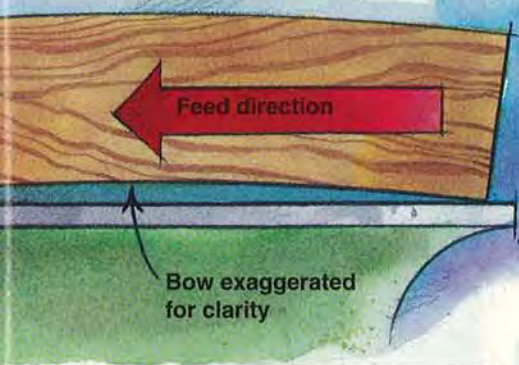


4 For boards too long for the method described in Step 2, or for short boards bowed $\frac{1}{2}$ " or more, try this technique. With a straightedge or chalk line, mark a line as shown *below*. Then, cut along this line with a portable circular saw or jig-saw. If you closely follow the line you should be able to joint the edge straight and smooth in one pass as described in Step 3.



bowed stock

Now, decrease the cutting depth to $\frac{1}{32}$ " and make a final pass along the entire edge of the board. If the grain runs every which way, slow down your feed rate to reduce tearout to a minimum.



5 Because of the position of defects in a board, you may find it necessary to straighten its convex edge. This could happen when the best wood in a board is along its convex edge as shown *below*. Then, it often makes sense to straighten that edge first so you can join the good edge to other workpieces, or rip thin strips from the best wood and work toward the lesser-quality wood.

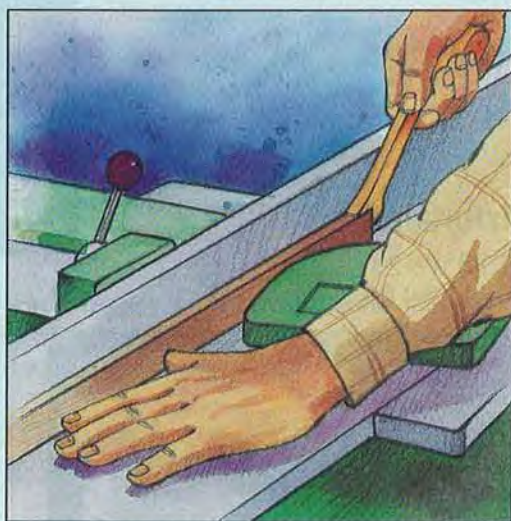
Do not attempt to straighten a convex edge on a jointer, even if the convex edge is bowed by less than $\frac{1}{2}$ ". To straighten any convex edge, follow the method described in *Step 4*.

More jointing pointers to keep in mind

- The grain of highly figured woods such as bird's-eye maple can tear out quite easily, especially if your jointer knives aren't as sharp as they should be. At these times, slow down your feed rate to a crawl (just an inch or two per second) and take light cuts ($\frac{1}{32}$ " or less).

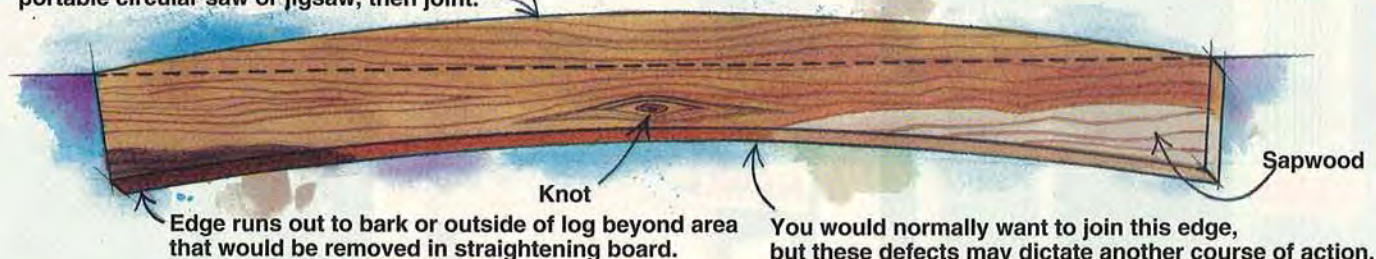
It may be difficult to tell if you're getting a complete cut at these shallow depths, so try this trick. Mark a wavy pencil line along the entire edge as shown *right*, and make the cut. Any remaining pencil marks tell you that you need to repeat the cut.

- Here's a good rule of thumb that may actually *save* your thumb. Whenever you edge-joint a board that is not as wide as your jointer's fence is high, use a pushstick as shown *right*.
- Remember to reposition your jointer's fence across the width of the tables from time to time. You'll get more life from your knives because they will wear more evenly along their lengths. 🌲



Written by Bill Krier with Jan Svec
Illustrations: Brian Jensen

To avoid defects, straighten this edge with a portable circular saw or jigsaw, then joint.



Great Projects



▲ Adirondack Lawn Chair

37"H×32"W
OFS-1001 \$9.95

▲ Adirondack Side Table & Footstool

Footstool — 14"H×16"W×14"D
Side Table — 18"H×20"W×24"D
OFS-1014 \$9.95

▼ Victorian Arbor

82"H×48"W×29"D
OFS-1039 \$9.95



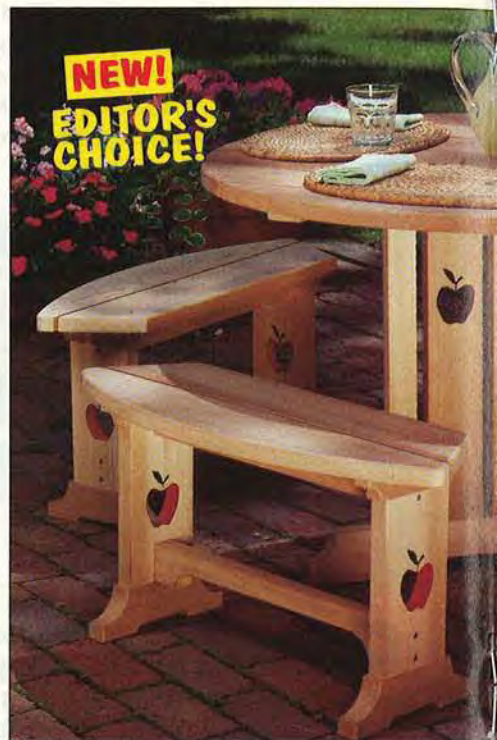
▲ Adirondack Rocker

39"H×60"L
OFS-1016 \$12.95



▲ Compost Bin & Potting Table

Bin — 38"H×42" Sq.
Potting Table —
72"H×34"W×25"D
OFS-1041 \$12.95



Better Homes and Gardens®
WOOD PLANS®

YOUR 100% MONEY-BACK GUARANTEE

All WOOD PLANS® are fully guaranteed. If you're not completely satisfied, just let us know. We'll happily give you a full refund or a quick exchange.



for Your Great Outdoors!



The Perfect Companion Piece!

▼ Apple Glider

24"D×48"L
OFS-1028 \$12.95

SPECIAL MULTI-PLAN DISCOUNT!

The more you buy, the more you save!

\$2.00 OFF your total order on 2 plans
\$4.00 OFF total order on 3-4 plans
\$6.00 OFF total order on 5-plus plans

◀ Apple Patio Table & Benches

44" Diameter
OFS-1038 \$12.95

- All projects fully SHOP-TESTED for your guaranteed success
- Exploded-view drawings for quick, accurate assembly
- Complete, step-by-step instructions
- Easy-to-use, full-sized patterns for irregular pieces
- Can be completed in a weekend or less



◀ Arched Bench & Chair

Bench —
41"H×84"L×30"D
Chair —
37"H×35"W×30"D
OFS-1040 \$12.95

ORDER TODAY!

No added charges! Postage, handling, state and local taxes are included in prices!

TO ORDER, print your name, address, and the name of the plan(s) you want on the coupon below. Then send it, along with your check or money order, to: **WOOD PLANS** • P.O. Box 9255 • Dept. WD697 • Des Moines, IA 50306.

For fastest service **CALL TOLL FREE**

1-800-572-9350

or **FAX your order 1-515-265-2995**

7 a.m. – 9 p.m. CST, Monday – Friday • Visa and MasterCard accepted. Please have your order ready when calling.

Please print
Name _____

Address _____

City _____ State _____ Zip _____

RUSH THESE PLANS TO ME:

Stock #	Qty.	Plan Name	Price Each

Payment (U.S. funds):

- Check Money Order

Sub Total
Less MULTI-PLAN
DISCOUNT (if any)

TOTAL

Credit Card # _____

Exp. _____

Signature _____

Better Homes and Gardens®
WOOD®

100% MONEY-BACK SATISFACTION GUARANTEE

Potting Bench

Our thanks to reader Leroy Wagner of Glendale, Arizona, for this outdoor project idea. Simple construction, good looks, and lots of storage make this potting bench an ideal work center for creating a garden paradise right in your backyard.

NOTE: The joint dimensions specified in this project are based on the common milled dimensions of softwood lumber. If your lumber varies from the dimensions stated in the Bill of Materials, you'll need to adjust the size of the joints.

Start with the 2x4 side frames

1 Cut the back legs (A), the front legs (B), and the rails (C) to the lengths listed in the Bill of Materials from 2x4 stock. Using the Back Leg and Side Frame drawings for reference, mark and then cut the half-lap joints and shelf dadoes on these pieces.

2 Mark and cut the 3½" radius on the top end of the back legs (A).

3 Glue and clamp parts A, B, and C in the configuration shown on the Side Frame drawing. (We used Titebond II, a weatherproof glue, to assemble all joints in this project.) Drill countersunk pilot holes, and drive screws to reinforce the half-lap joints.

Now, add the side panels

1 Rip and crosscut the top cleats (D) and the side cleats (E) to size. Glue and screw the cleats around the top and sides of the opening in the side frames.

2 Cut the side panels (F) from ⅝"-thick T-111 siding for a snug fit into the side frame assemblies. (T-111 is a rough-sawn exterior-grade



plywood that features vertical grooves machined into its surface.) Plan your cuts so that the grooves in the siding are centered edge-to-edge in the side panels (F). Drill four countersunk ⅝" holes along the top and bottom edges of the side panels where shown on the Carcase drawing.

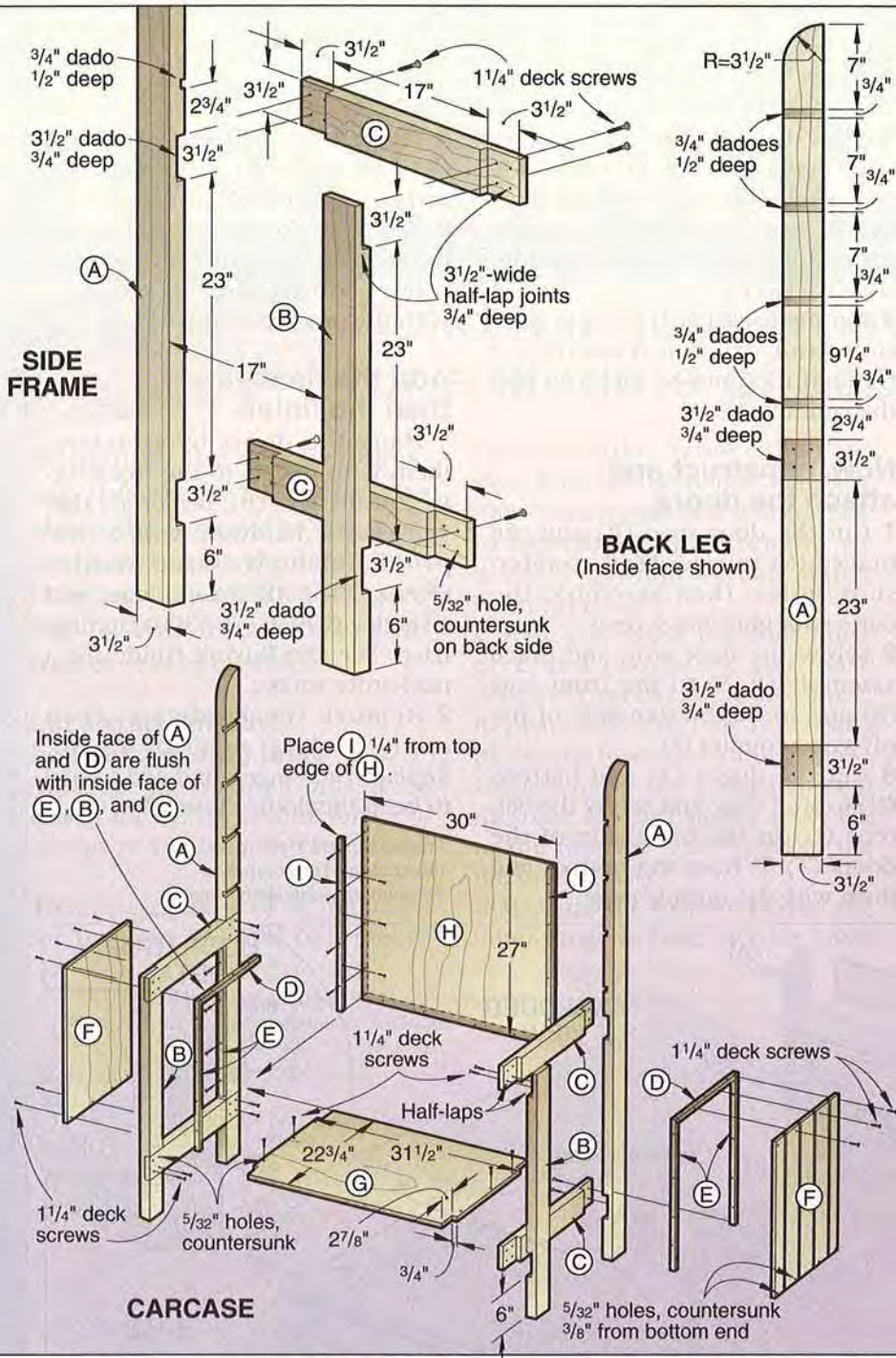
3 Place one side frame assembly on your workbench, with the outside facing up. Referring to the Carcase drawing, glue the side panel (F) into position, and drive

screws through the holes along the top edge of the side panel (F) into the top cleat (D). Repeat this process with the other side frame assembly.

Next, make the bottom and back

1 Cut the bottom (G) and back (H) to size. Cut a notch in each corner of the bottom (G) where shown on the Carcase drawing. Next, drill and countersink ⅝" holes along the ends of the bottom (G).





Bill of Materials						
Part	Finished Size			Mati.	Qty.	
	T	W	L			
SIDE FRAMES						
A back legs	1 1/2"	3 1/2"	72"	C	2	
B front legs	1 1/2"	3 1/2"	36"	C	2	
C rails	1 1/2"	3 1/2"	24"	C	4	
D top cleats	3/4"	3/4"	15 1/2"	C	2	
E side cleats	3/4"	3/4"	22 1/4"	C	4	
F side panels	5/8"	17"	23"	S	2	
BOTTOM AND BACK						
G bottom	3/4"	22 3/4"	31 1/2"	EP	1	
H back	5/8"	30"	27"	S	1	
I back cleats	3/4"	3/4"	26"	C	2	
COUNTER AND SHELVES						
J counter	3/4"	23 3/4"	33"	EP	1	
K counter sides	3/4"	3 1/2"	25"	C	2	
L counter molding	1/4"	3/4"	33"	P	1	
M top shelves	3/4"	5 1/2"	31"	C	3	
N btm. shelf	3/4"	23 1/4"	31"	C	1	
O top & btm. shelf backs	3/4"	5 1/2"	30"	C	2	
P middle shelf backs	3/4"	3 1/2"	30"	C	2	
Q back splash	3/4"	1 3/4"	30"	C	1	
R door stop	3/4"	2"	30"	C	1	
S braces	3/4"	2"	3"	C	2	
DOORS						
T doors	5/8"	14 7/8"	29 3/4"	S	2	
U battens	3/4"	3 1/2"	14"	C	2	
BOXES						
V backs	3/4"	3 1/2"	12 1/2"	C	2	
W ends	3/4"	3 1/2"	3 1/4"	C	4	
X fronts	3/4"	3 1/2"	14"	C	2	
Y bottoms	3/4"	2 1/2"	12 1/2"	C	2	

2 Cut the back cleats (I) to size. Drill equally spaced mounting holes in adjacent surfaces of the back cleats where shown on the Carcase drawing. Then, glue and screw the cleats to the back.

3 Lay one side assembly (A-F) on the floor, with the inner surface facing upward. Glue and screw the bottom (G) in position. Next, glue and screw the back assembly (H, I) to the side assembly and bottom (G). Position the other side assembly, and fasten the bottom (G) and

the back assembly (H, I) to it with glue and screws. Stand the assembly upright.

Build and attach the counter next

1 Cut the counter (J) to size. Next, cut notches in the back corners where shown on the Exploded View drawing. Test-fit the counter (J), noting that its rear edge is supported on the ends of the back cleats (I), making the front edge slightly lower for drainage.

Materials Key: C—choice (cedar, redwood, cypress, or pressure-treated stock), S—siding (we used T-111 siding), EP—exterior plywood, P—pine or fir.

Supplies: 1 1/4" deck screws, 2 1/2" deck screws, 2 pair of 4" tee hinges (Stanley SP909), 2x6" hasp (Stanley CD930), 1" brads, clear exterior finish.

Buying Guide
Hardware kit. 2 pair of 4" tee hinges with a black steel finish (Stanley SP909), 2x6" hasp with a steel black finish (Stanley CD930). \$39.95 ppd. Miller Hardware Inc., 1300 M. L. King Jr. Parkway, Des Moines, IA 50314 or call 515-283-1724 to order.

Continued

Potting Bench

2 Cut the counter sides (K) to size and shape. Drill countersunk holes in the counter sides (K).

3 Cut the counter molding (L) to size, and attach it to the front edge of the counter (J). Set the brads slightly below the surface of the counter molding (L). If you want to paint the counter, now is the time to do it.

4 Set the counter assembly (J, L) into position, then attach the counter sides (K) to it and the back legs (A).

And now for the shelves

1 Cut the top shelves (M), bottom shelf (N), top/bottom shelf backs (O), middle shelf backs (P), and the backsplash (Q) to size.

2 Glue the shelves (M, N) into their dadoes in the back legs (A), and lightly clamp the back legs (A) to keep the joints snug.

3 Glue and screw the top shelf back (O) in place, attaching it to

the top shelf (M) and the back legs (A). Glue and screw O to the bottom shelf (N) and the back legs (A). Repeat the drilling and gluing procedure to attach the middle shelf backs (P).

4 Slip the backsplash (Q) into position, and drive screws into it through the bottom shelf (N) and the counter (J).

Now, construct and attach the doors

1 Cut the door stop (R) and the braces (S) to size. Drill countersunk holes, then assemble the parts with glue and screws.

2 Screw the door stop and brace assembly (R, S) to the front legs (B) and to the bottom side of the plywood counter (J).

3 Cut the doors (T) and battens (U) to size. Glue and screw the battens (U) to the back side of the doors (T) 5" from the bottom and flush with the outside edge.

4 Rip and crosscut the box backs (V), box ends (W), box fronts (X), and box bottoms (Y) to size.

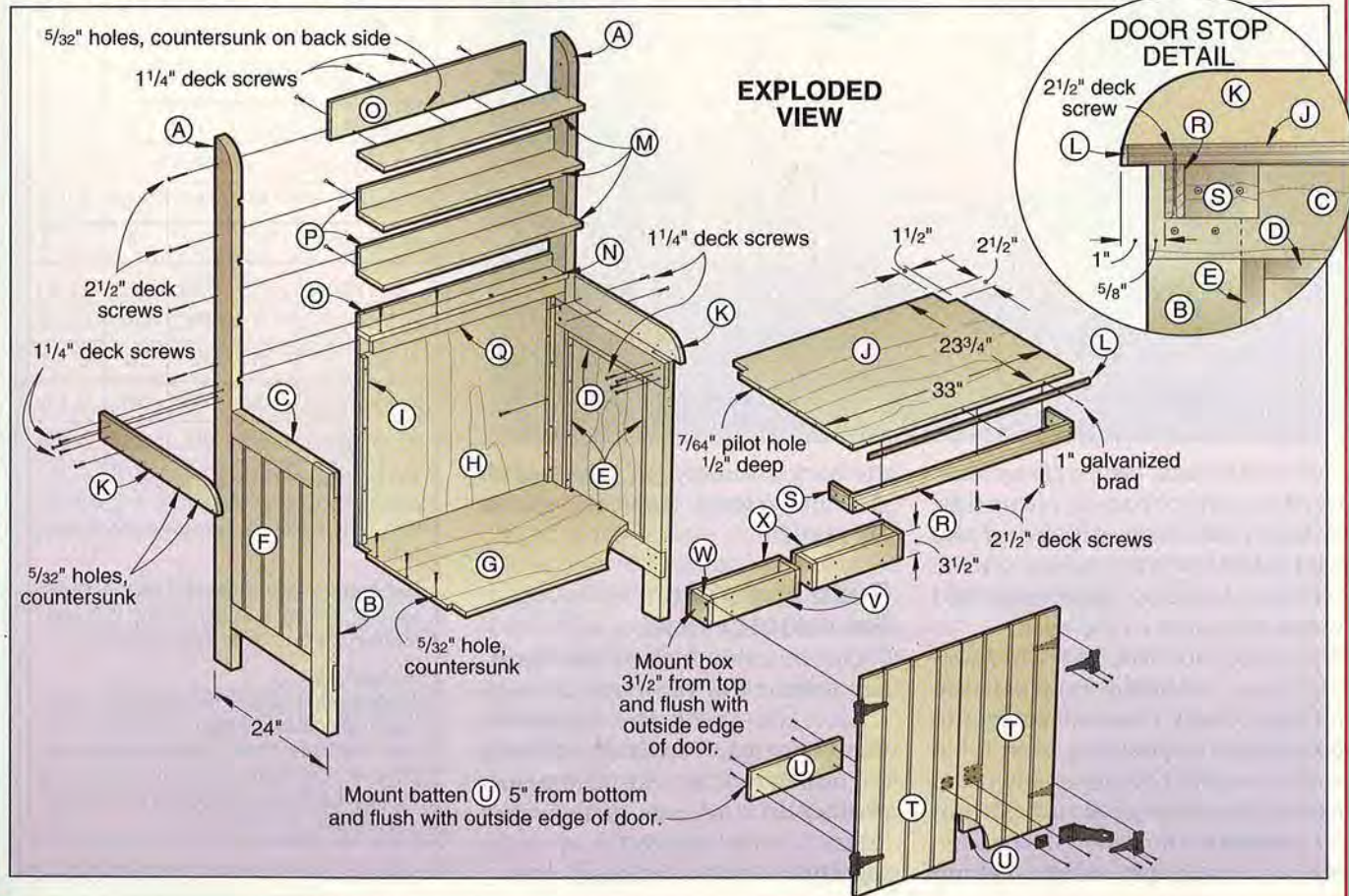
5 Assemble the boxes, and screw them in place, positioning your screws so that they do not align with the grooves in the doors.

Add the hardware, then the finish

1 Hang the doors by attaching them with hinges to the front surface of the legs (B). Be certain that you choose hardware with a rust-proof finish. We used Stanley SP909 (78-5300) 4" tee hinges and a Stanley CD930 (75-5300) latching hasp. See the Buying Guide for a mail-order source.

2 Remove the hardware, then apply a clear exterior finish. Replace the hinges, and add a hasp to keep the doors closed. ♣

Project Design: Dave Ashe
Illustrations: Lorna Johnson
Photograph: John Hetherington



ON-THE-MONEY TENONING JIG

A
WOOD
MAGAZINE
EXCLUSIVE

Build it in just an evening or two for a lifetime of accurate results

Hopefully, the article following this one will excite you about the “strengths” of mortise-and-tenon joinery. And, this easy-to-make tablesaw jig is the accessory that makes it all possible.

Let's start with the base and sliding table

Note: See the Buying Guide at the end of the article for our source of hardware and Baltic birch plywood.

1 Cut two pieces of $\frac{3}{4}$ " plywood for the base (A) and two pieces

for the sliding table (B) to the sizes listed in the Bill of Materials, plus $\frac{1}{2}$ " in length and width. (Due to its stability and strength, we used $\frac{3}{4}$ " [18mm actual] Baltic birch plywood.)

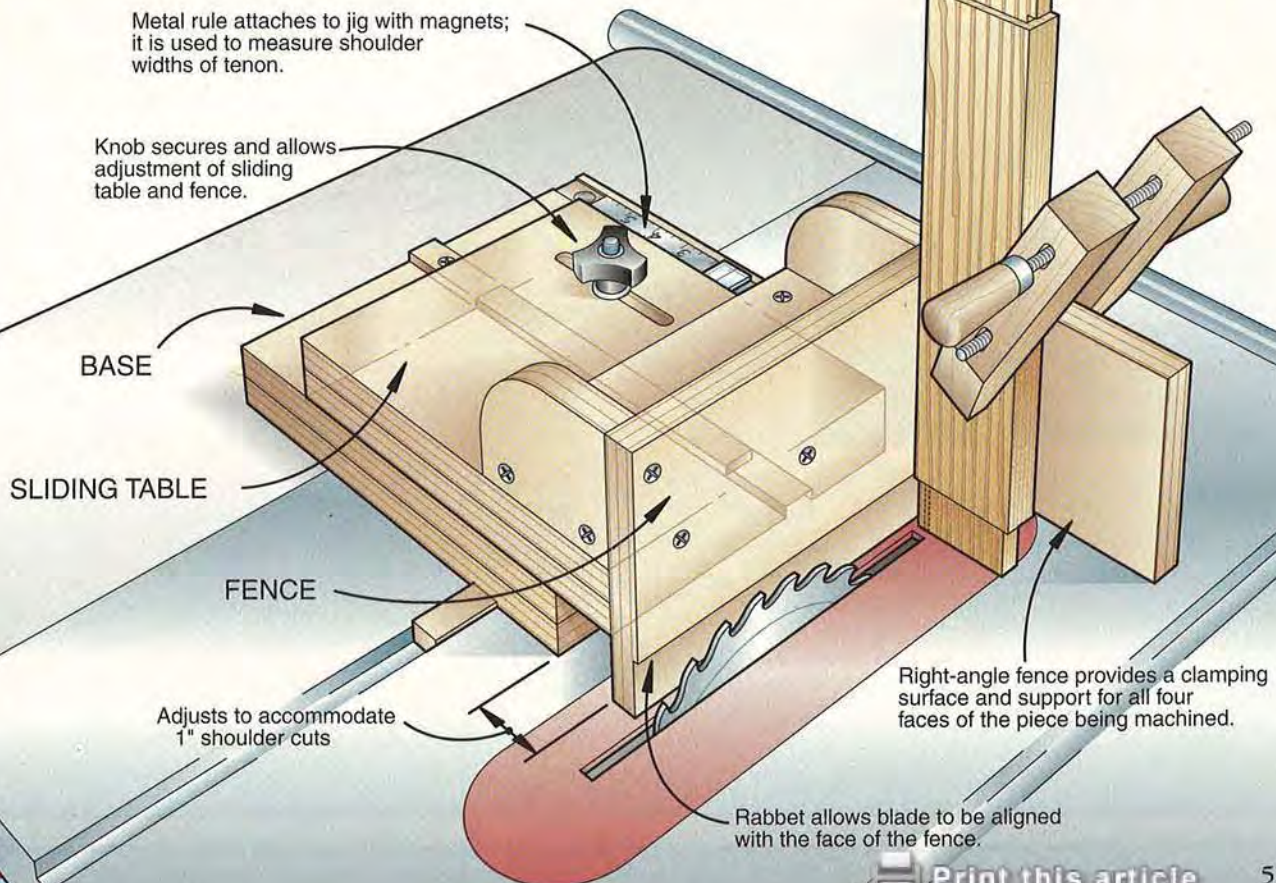
2 With the edges and ends flush, glue and clamp the two base pieces together face-to-face. Repeat with the two remaining pieces to form the sliding table. Later, remove the clamps and cut the base (A) and sliding table (B) to the finished sizes listed in the Bill of Materials.

3 Measure the exact width of the miter-gauge groove in your table-

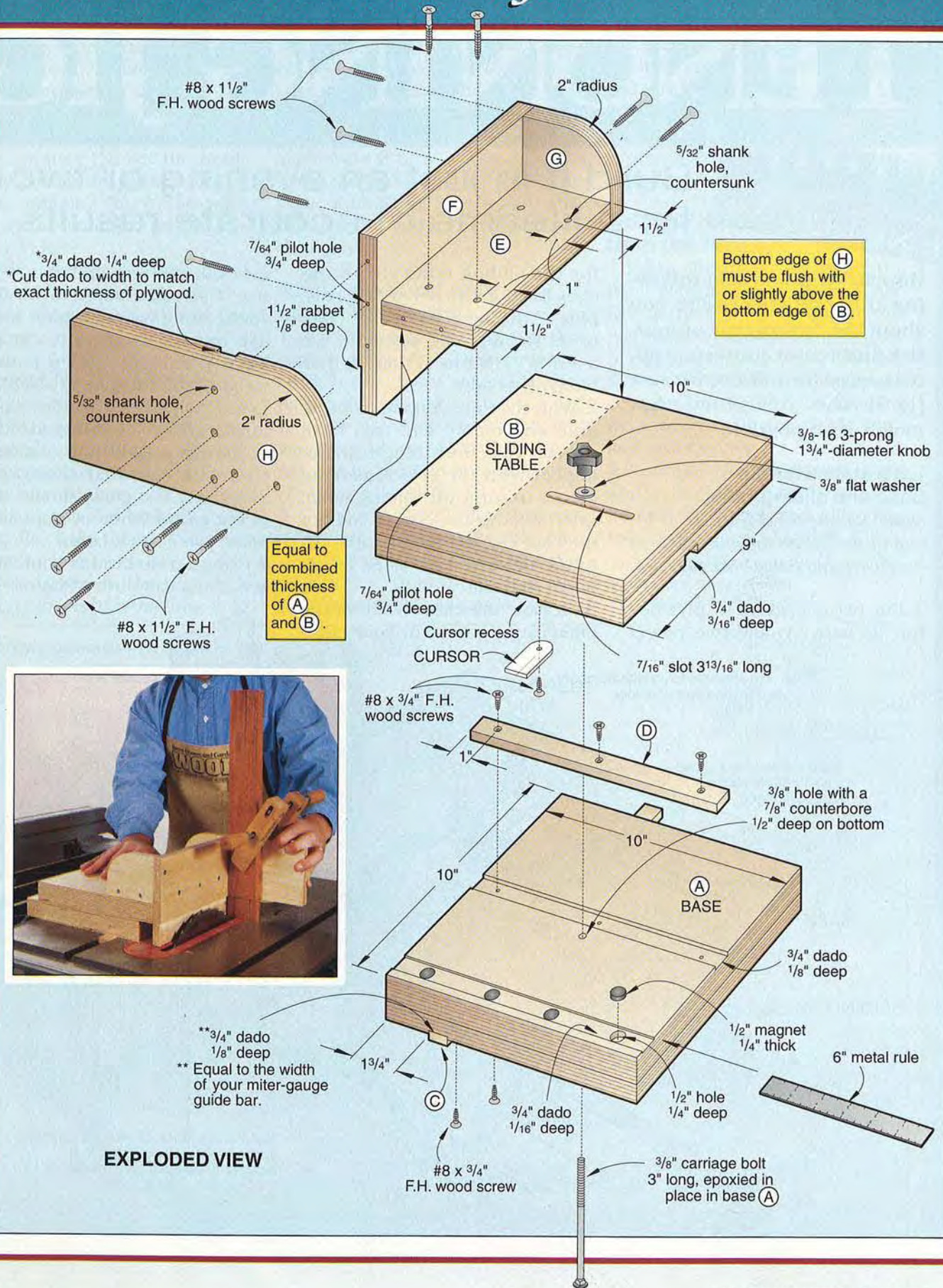
saw. Cut the base guide bar (C) to size. Use solid maple or birch if you're using your stock, or, if you use our hardware kit, cut the UHMW (ultra-high molecular weight) polyethylene to size. (We found polyethylene slides easier in the groove than wood. Plus, polyethylene will not change in size with seasonal changes in humidity.) The guide should slide in the groove without slop. Set it aside; you'll add it later.

4 Using a dado head in your table-

Continued



TENONING JIG



EXPLODED VIEW

guide bar (C) and $\frac{1}{8}$ " deep on the bottom side of the base (A) where dimensioned on the Exploded View and Parts View drawings. The guide bar (C) will fit into this dado later.

5 Cut a $\frac{3}{4}$ " dado $\frac{1}{8}$ " deep on the top side of the base (A) and a mating $\frac{3}{4}$ " dado $\frac{3}{16}$ " deep on the bottom side of the sliding table (B) where shown on the Parts View drawing. Later, you'll screw the guide bar (D) into the dado in the top of the base. And when assembled, the sliding table (B) will slide on the top, exposed portion of this guide bar.

6 Cut a $\frac{3}{4}$ " dado $\frac{1}{16}$ " deep in the top of the base (A) to house the

6" metal rule. (See the Buying Guide for our source of the rule.)

7 Cut the second guide bar (D) so it fits snugly in the top dado in the base, and slides smoothly in the $\frac{3}{4}$ " dado on the bottom of the sliding table. Set this guide aside also.

8 Mark the centerpoints where dimensioned on the Parts View drawing, and drill the holes for the magnets in the dado in the top of the base (A). Measure your magnets before drilling, they may vary in size. You want the magnets to sit just a hair below the surface of the dado.

9 Mark the centerpoint, and drill a $\frac{7}{8}$ " hole $\frac{1}{2}$ " deep on the bottom side of the base (A). Then, drill a

Continued

Bill of Materials

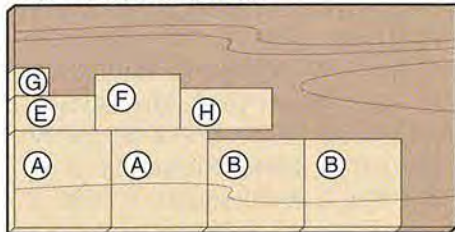
Part	Finished Size			Matl.	Qty.
	T	W	L		
A* base	1½"	10"	10"	LBP	1
B* sliding table	1½"	9"	10"	LBP	1
C guide bar	7/16"	¾"	11"	M	1
D guide bar	5/16"	¾"	10"	M	1
E* horz. support	¾"	3¾"	8¼"	BP	1
F fence	¾"	6"	9¼"	BP	1
G radiused end	¾"	3"	3¾"	BP	1
H dadoed end	¾"	4½"	10"	BP	1

* Initially cut parts oversized. Trim to finished size according to the how-to instructions.

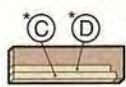
Materials Key: LBP—laminated Baltic birch plywood, BP—Baltic birch plywood, M—maple

Supplies: 7—#8×¾" flathead wood screws, 15—#8×1½" flathead wood screws, 4—½" magnets ¼" thick, 6" metal rule, ¾" carriage bolt 3" long with mating washer and plastic knob, ½×4×4" acrylic for cursor, UHMW polyethylene for the guide bar (C), epoxy, clear finish.

CUTTING DIAGRAM



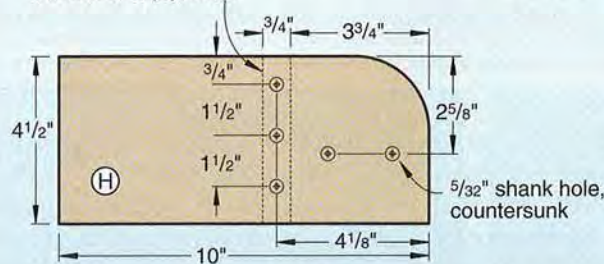
¾ x 24 x 48" Birch plywood



½ x 3½ x 12" Maple

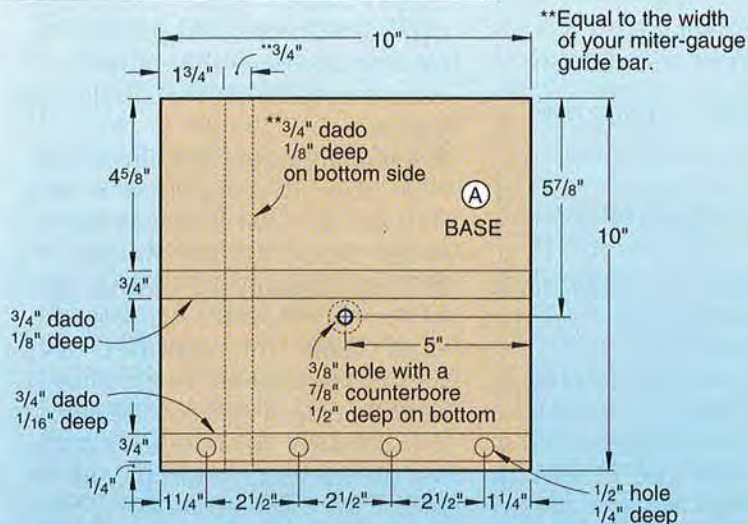
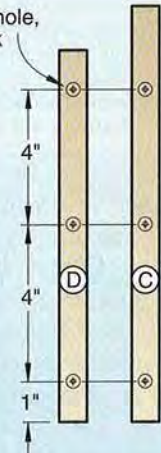
*Plane or resaw to thickness listed in the Bill of Materials.

¾" dado ¼" deep on inside face. Cut dado width to match exact thickness of plywood.

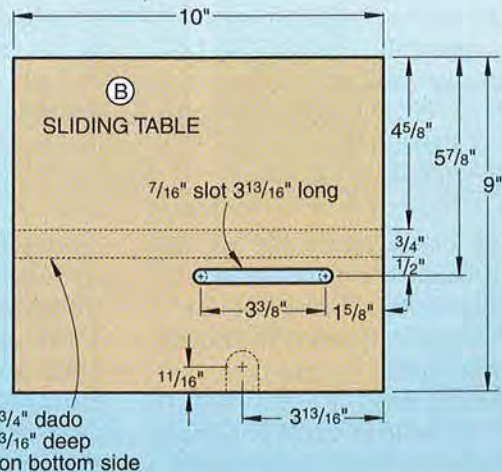


PARTS VIEW

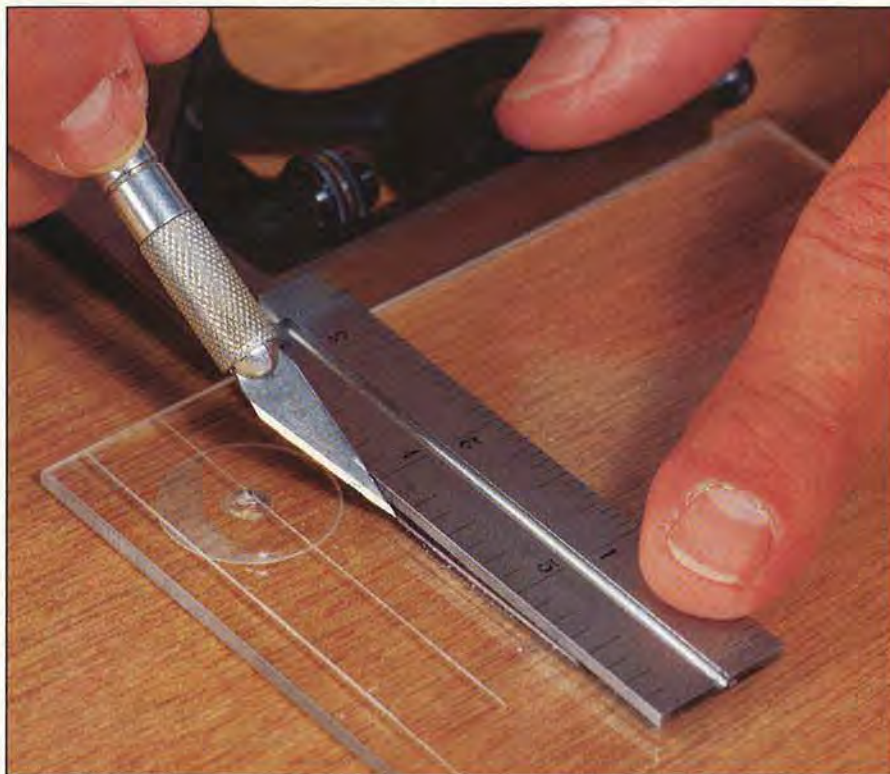
5/32" shank hole, countersunk



**Equal to the width of your miter-gauge guide bar.

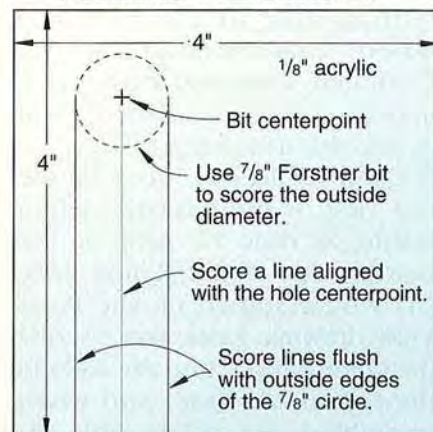


TENONING JIG



Drag the blade of an X-act knife sideways to scribe the centerline and cutlines on the acrylic cursor blank.

FORMING THE CURSOR



Form the cursor next

1 Cut a piece of $\frac{1}{8}$ " clear acrylic to 4×4 ". Chuck a $\frac{7}{8}$ " Forstner bit into your drill press, and position the bit over the acrylic roughly where shown on the drawing *above*. Clamp the acrylic securely to your drill-press table.

2 Start the drill press, and slowly lower the bit until the outside edge and centerpoint of the bit just barely scores the acrylic.

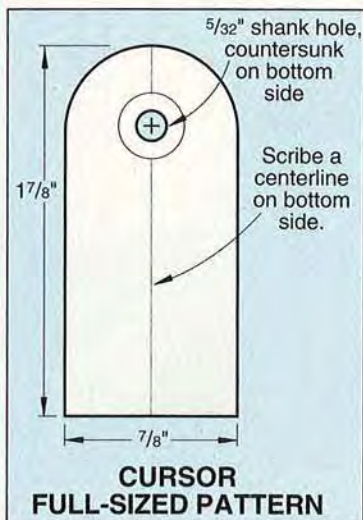
3 Using a small square and an X-act knife held *sideways* (it scores better this way), score the three lines on the *bottom side* of the acrylic where shown on the drawing *above* and in the photo *at left*.

4 To make the centerline on the cursor more visible, use a felt-tipped marker to highlight the middle scribed line. Wipe any excess marker off the surface of the cursor.

5 Using your bandsaw fitted with a $\frac{1}{8}$ " blade or a scrollsaw with a #10 blade, cut the cursor to shape. Sand the edges smooth.

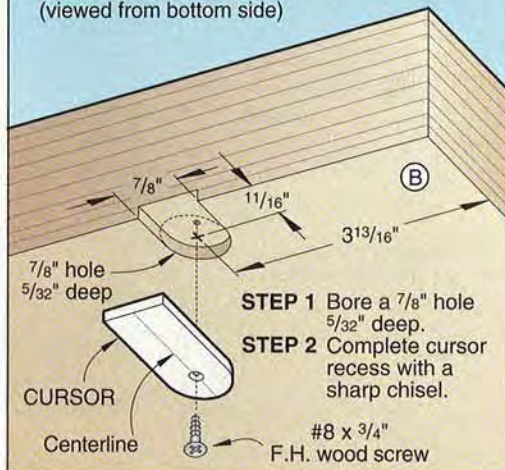
6 Working from the bottom side of the cursor, drill a $\frac{5}{32}$ " countersunk shank hole centered over the bit centerpoint where shown on the Cursor Full-Sized Pattern.

7 Using the Cursor Location drawing for reference, form the cursor resting on the sliding table (B).



CURSOR LOCATION

(viewed from bottom side)



$\frac{3}{8}$ " hole centered in the $\frac{7}{8}$ " hole and through the base for the $\frac{3}{8}$ " carriage bolt. Check the fit to make sure the bottom of the carriage bolt doesn't protrude.

10 Mark a pair of centerpoints, drill a $\frac{7}{16}$ " hole at each point, and cut between the holes with a scrollsaw or jigsaw to form the

$\frac{7}{16}$ "-wide slot in the sliding table (B) where dimensioned on the Parts View drawing.

11 Drill countersunk mounting holes in the guides (C, D) where dimensioned on the Parts View drawing. Screw the guides in place, making sure the screw heads don't protrude.

Add the workpiece support

Note: Plywoods vary in thickness. All dimensions are based on plywood measuring exactly $\frac{3}{4}$ " thick. See the tinted boxes on the Exploded View drawing before locating the horizontal support (E) against the fence (F).

1 Cut the horizontal support (E) to size plus $\frac{1}{2}$ " in length. Then, cut the fence (F), radiused end (G), and dadoed end (H) to size.

2 Cut the rabbet along the outside face of the fence (F) where shown on the Exploded View drawing.

3 Cut a $\frac{1}{4}$ "-deep dado in the inside face of H to the same exact thickness as your plywood.

4 Mark the centerpoints, and drill holes in H where dimensioned on the Parts View drawing. Clamp the end (H) to the fence (F) and drive the screws. Drill the holes, and screw the opposite end (G) to the fence. Measure the distance between the ends (G, H), and cut the horizontal support (E) to final length and screw it in place, making sure parts G and H meet at right angles to part E.

5 Clamp the support (E, F, G, H) to the sliding table (B), and screw the two assemblies together, keeping the outside face of F square to the sliding table.

Finishing and final assembly

1 Finish-sand all the pieces and seal with polyurethane.

2 Cut a piece of wood to $\frac{3}{4} \times 1\frac{1}{4} \times 12$ ". Then, put a drop of epoxy in each magnet hole, fit the magnets into the holes, and wipe off any excess epoxy. As shown in the photo *above right*, position the strip of wood over the magnets, and use it as a clamping bar to hold the magnets in place until the epoxy cures. Later, remove the clamping block and clamps.

3 Screw the acrylic cursor in place in the recess on the bottom of the sliding table (B).



Use a strip of wood, a pair of clamps, and waxed paper to hold the magnets in place until the epoxy cures.

4 Position the sliding table (B) on the base (A). Slide a $\frac{3}{8}$ " carriage bolt through the $\frac{3}{8}$ " hole in the base (A) and through the $\frac{7}{16}$ " slot in the sliding table (B). Slide the two assemblies back and forth to check the fit, then epoxy the carriage bolt in place. Attach a washer and plastic knob onto the bolt where shown on the Exploded View drawing. To prevent the jig from possibly rocking on the saw table, make sure that the bottom

edge of the fence (F) is flush with the bottom surface of the base (A). If F is higher, you may encounter a bit of rocking when the sliding table/fence is slid away from the base when cutting tenons. This can result in poorly cut tenons.

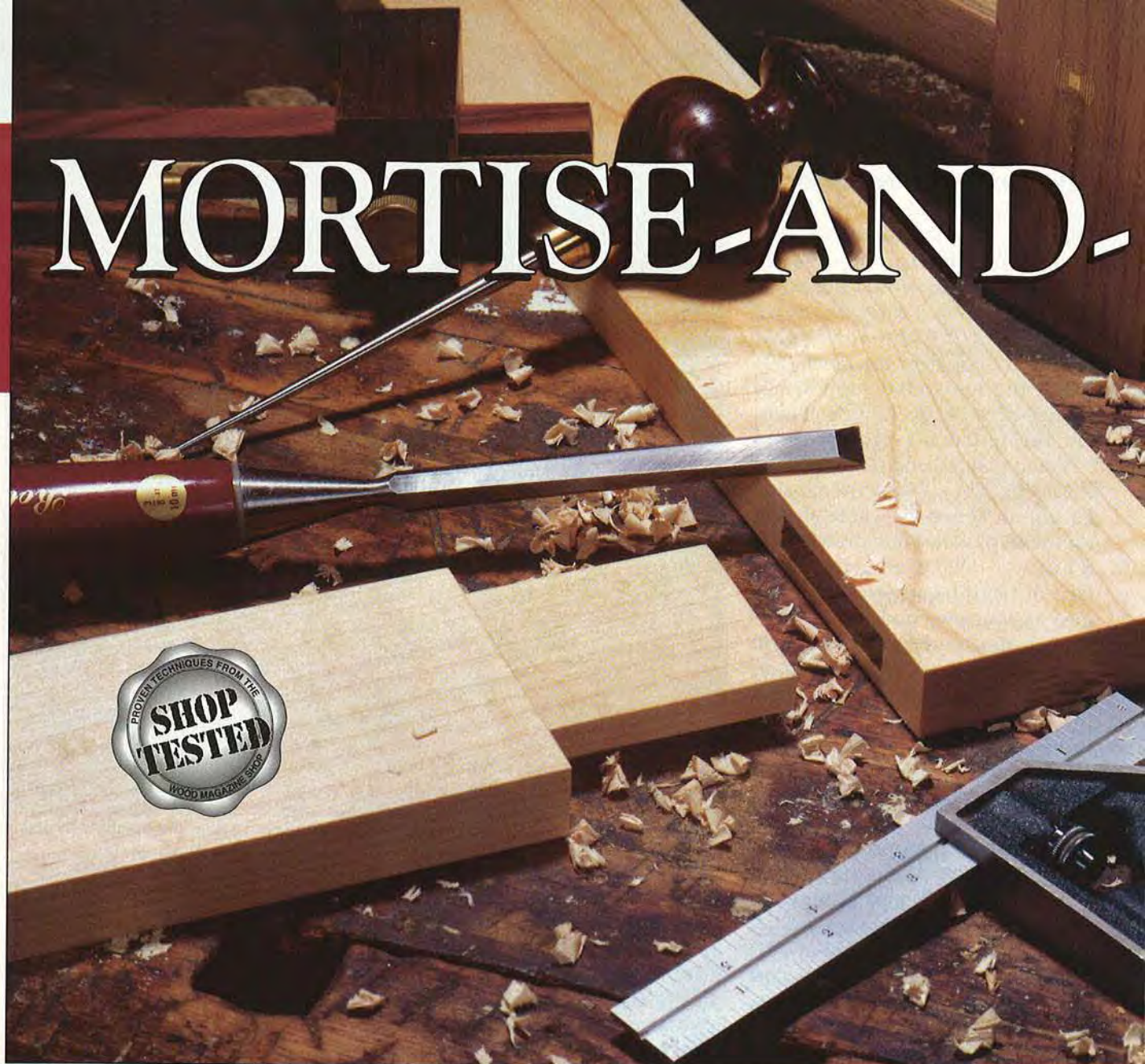
5 Lay the metal 6" rule in place on the magnets in the shallow dado. See the following article for positioning the rule in relation to the fence. ♣

Buying Guide

Hardware kit. All the hardware listed in the Supplies listing at the end of the Bill of Materials except for the finish and epoxy. WOOD KIT™ TENJ1, \$27.95 plus \$3.75 shipping. Schlabaugh and Sons Woodworking, 720 14th Street, Kalona, IA 52247 or call 800/346-9663 to order.

Hardware and precut wood kit. All the pieces listed in the hardware kit, plus all the Baltic birch plywood and maple pieces listed in the Bill of Materials cut to size and shape (but not predrilled). WOOD KIT™ TENJ2, \$94.50 plus \$12 shipping. Address and phone *at left*.

MORTISE-AND-



If you've shied away from mortise-and-tenon joinery because it sounds too complicated, take heart. With our tenoning jig and a little practice, you can turn out tight-fitting joints like a professional craftsman.

Editor's Note:

According to woodworking tradition, you cut a mortise first and fit the tenon to it. The technique yields tight-fitting joints, but requires painstaking trial-and-error trimming. Deter-

mined to find an easier way, WOOD® magazine's Design Editor Jim Downing developed a new tenoning jig, detailed on page 57, and a technique that stands tradition on its head.

What makes a mortise-and-tenon joint so strong?

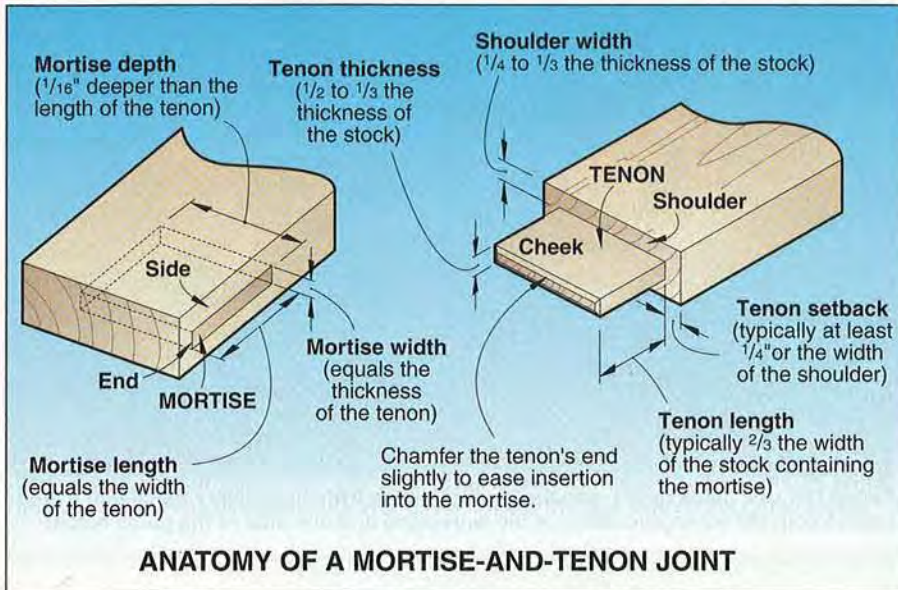
Check out the construction of a sturdy chair or table sometime, and you'll probably find that it was built with mortise-and-tenon joints. When it comes to strength, few woodworking joints match the mortise-and-tenon. That's why this old standby shows up so often in

leg-and-rail construction and other adaptations that subject a joint to stress from several directions at the same time.

Study the typical mortise-and-tenon joint shown in the Anatomy of a Mortise-and-Tenon Joint drawing *top right*, and you'll notice that the largest mating surfaces contain face grain. When glued together, these face-grain-to-face-grain areas create exceptionally strong bonds. This gives the joint much greater strength than a butt joint, in which one of the mating surfaces contains only end grain. Proper proportions keep both the tenon and mortise strong.

TENON JOINERY

Our jig guarantees your success



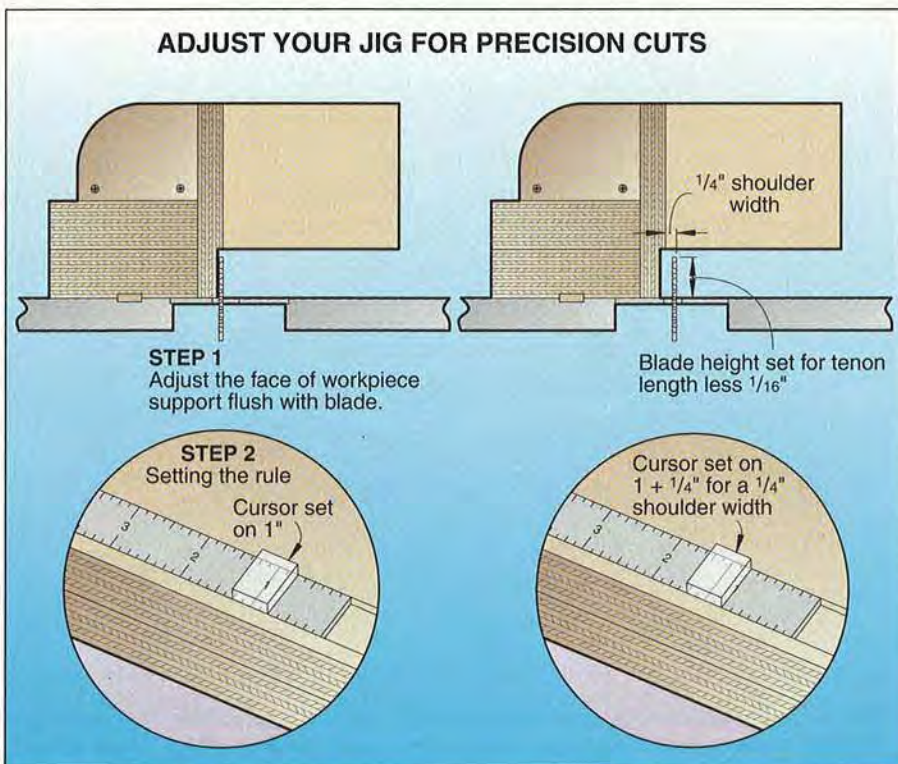
How to build and adjust the "On-the-Money Tenoning Jig"

As mentioned in the Editor's Note, our tenoning jig is the key to cutting professional-looking joints. So turn to *page 57*, and build the jig. When you've completed it, return here and read on.

To adjust your jig for precision cuts, start by placing the tenoning jig on your tablesaw, with the bar in the miter-gauge slot. Loosen the knob on the sliding table and position it so the fence clears the saw blade. Raise the blade to 1", then move the sliding table so the face of the fence aligns flush with the outside edge of the blade, as shown in the Adjust Your Jig for Precision Cuts drawing, *left*. Tighten the knob to hold the sliding table in place.

With the blade properly aligned with the fence, slide the jig's built-in steel rule until the cursor lines up directly over the 1" mark, as shown in Step 2. (Using the 1" mark provides more accuracy than trying to align the mark on the "zero" end of the rule.)

Now, loosen the knob on the sliding table, and adjust the cursor along the rule to make the desired shoulder width, as shown in the drawing at *left*. Our example



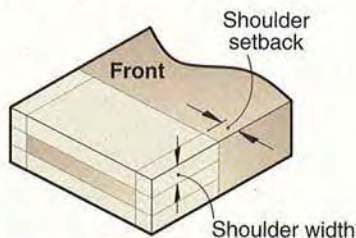
Mortise-and-tenon joinery

shows the setting for a $\frac{1}{4}$ " cut, but for other widths, adjust the cursor the appropriate distance from the 1" mark on the scale.

How to make flush mortise-and-tenon joints

When Design Editor Jim Downing developed the "On-the-Money Tenoning Jig," he also was looking for a simpler way to create tight-fitting mortise-and-tenon joints. Rather than the traditional method of cutting the mortise first and fitting the tenon to it, Jim decided to use the precision-cut tenons produced with the tenoning jig to accurately lay out the matching mortises.

Jim's technique, described here, uses a guide-block to aid in both the mortise layout and cutting processes. Cut using the same jig settings as the tenon, the guide-block ensures accurate placement of the mortise. It also keeps your chisel aligned vertically when you square up the mortise.



LAYING OUT A TENON

Note: Before you start cutting, choose and mark the best side of your workpieces. Use these reference marks when laying out your mortises and tenons so the best sides get the exposure.

Tips on tackling the tenon

Begin by laying out the tenon as shown in the Laying Out a Tenon drawing, above. A combination square, and a sharp pencil or scratch awl work great for transferring marks to all four sides. For our sample project, we made the tenon 1" long, with $\frac{1}{2}$ " setbacks and $\frac{1}{4}$ " shoulders.



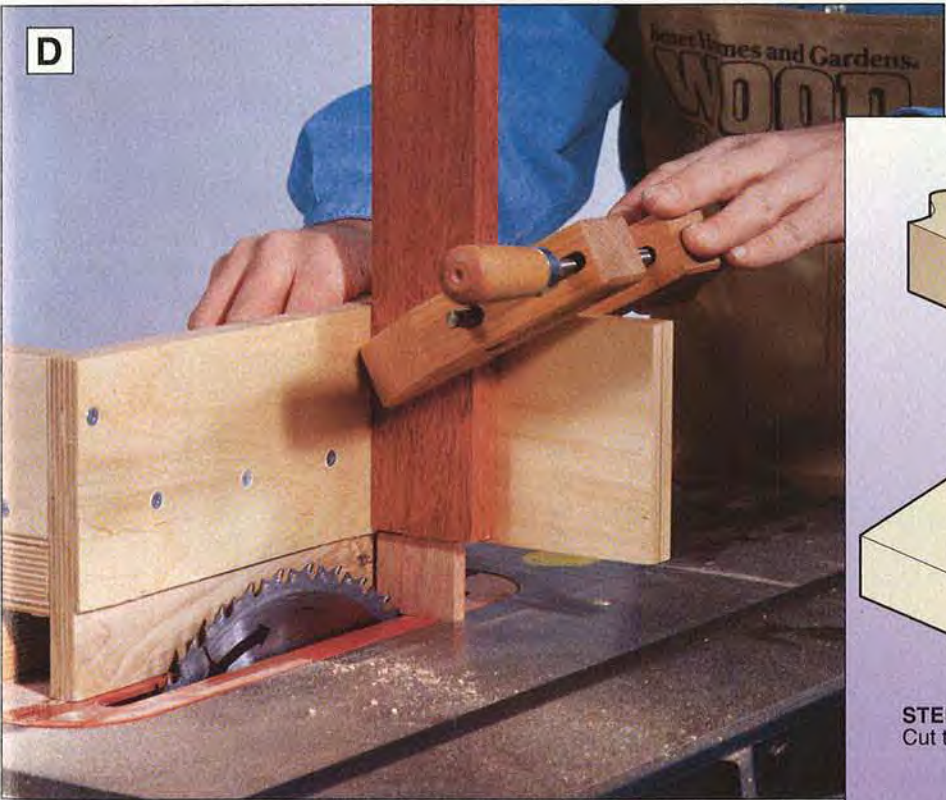
Adjust the saw blade depth, and use a miter gauge with an auxiliary fence and a stopblock to cut the tenon shoulders in the workpiece and one side of the guide block.



Turn the workpiece on edge, butt it against the stopblock, and cut the tenon setback shoulder. Rotate the piece 180° and cut the other setback shoulder.



C With the jig cursor set at 1/4" (for a 1/4" cut), clamp the board against the jig fence, and cut the tenon cheeks in your workpiece and in the one side of the guide block.



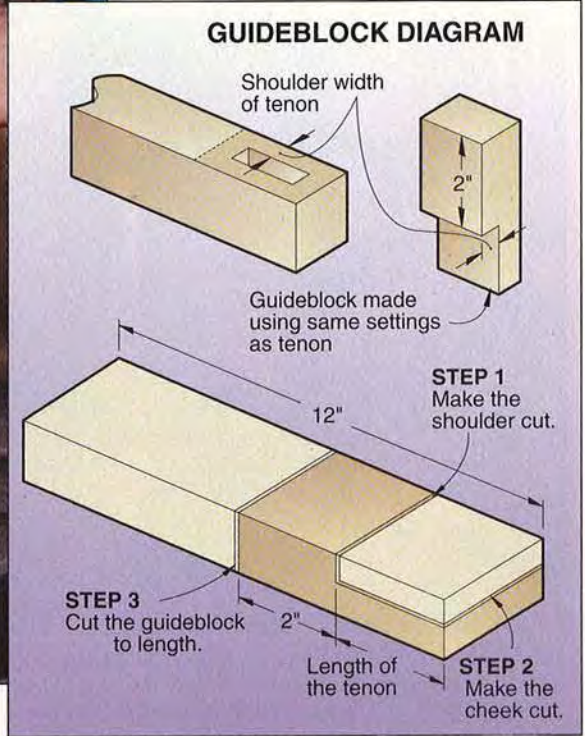
D Adjust the jig to the proper setback, clamp the workpiece against the jig's dadoed end, and cut the tenon setbacks.

Next, cut the shoulders. Using a miter gauge with an auxiliary fence, align the shoulder of the tenon with the saw blade. Attach a stopblock to the auxiliary fence to duplicate the cuts.

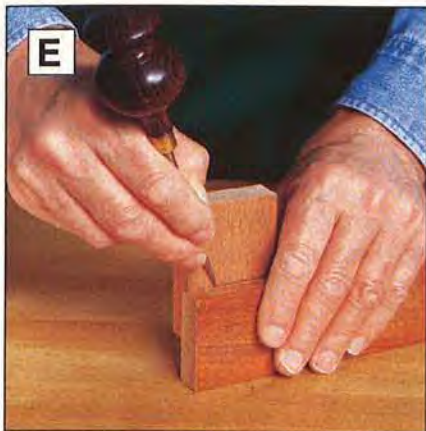
Lay the workpiece flat on the saw table, and adjust the height of the blade so it just touches the marked edge of the tenon cheek. Cut the shoulders on both sides of the tenon, as shown in *photo A*. Using a 12"-long piece of scrapwood the same thickness and width as your workpiece, make a shoulder cut **in one side only** (see the Guideblock Diagram, below). Set this piece aside for the guideblock. Align the tenon end with the stopblock, and cut the two setback shoulders as shown in *photo B*.

And now for the tenon cheeks. With the tenoning jig set for a 1/4"-wide cut, raise the blade to 1 5/16". Secure the workpiece as shown in *photo C*, turn on the tablesaw, and push the workpiece through the blade. Rotate the workpiece 180°, clamp it down,

Continued



Mortise-tenon joinery



E Hold the guideblock firmly on the piece to be mortised, and mark the location of the mortise sides with a sharp pencil.

and cut the second cheek. Without changing the jig setup, make one cheek cut in the guideblock piece, then set it aside.

Finish up with the tenon setbacks. Set the jig to make a 1/2"-wide cut, clamp the workpiece in the jig as shown in *photo D*, and cut the setback. Rotate the workpiece 180°, and cut the second tenon setback.

Finally, crosscut the scrapwood guide block to finished length, making it 2" longer than the length of the tenon cut (see the Guideblock Diagram, on the previous page).

Now for the matching mortise

To lay out the mortise, position the guideblock on the piece to be mortised, then mark the side of the mortise as shown in *photo E*. Then, place the guideblock on the other side of the workpiece and mark the opposite mortise side.

Using the tenon as a guide, mark the proper length of the mortise as shown in *photo F*. Be sure to keep the edge of the tenoned board flush with the end of the mortise piece.

To rough out the mortise, clamp the workpiece in a drill press, and using a brad-point bit



F Position the tenon atop the piece to be mortised, and mark the mortise ends. Be sure to keep the two workpieces flush and square.



H Clamp the guide block to the workpiece. Keep the flat side of a wide chisel held firmly against the block, and shear the excess wood from the sides of the mortise.



G Using a bit 1/16" smaller than the mortise width, drill a series of holes the length of the mortise. Drill the end holes first and make all holes 1/16" deeper than the length of the tenon.



I Sand slight chamfers on the end of the tenon to make it easier to insert the tenon in the mortise. Dry-fit the mating joint pieces and sand the tenon faces or chisel the mortise as necessary.

$\frac{1}{16}$ " smaller in diameter than the width of the mortise, drill a series of holes the length of the mortise as shown in *photo G*. The holes should just touch or have a small gap between them to avoid drill bit deflection and poor alignment. The holes should be $1\frac{1}{16}$ " deep, or $\frac{1}{16}$ " deeper than the length of the tenon.

To square-up the mortise, clamp the guideblock in position on the mortised piece, and hold your chisel flat against the block as shown in *photo H*. The guideblock keeps the chisel vertical as you shear away the waste from the sides of the mortise. Use a chisel the same width as the mortise to square up the ends.

Final fitting, gluing, cleanup

Before you try fitting the joint together, sand slight chamfers on the end of the tenon as shown in *photo I*. This lets you fit the tenon into the mortise more easily.

Test-fit the mating workpieces before applying glue, and sand the tenon or chisel the mortise as necessary. Apply glue to all faces of both sides of the joint as well as the tenon shoulders, then clamp the workpieces together. Use a putty knife or chisel to scrape off any glue squeeze-out after a tough skin forms.

Despite the jig's accuracy, the faces of the mating pieces may not always align perfectly flush. To get them flush, we prefer to

use a random-orbit sander to avoid cross-grain scratches.

Variations for added strength

The flush joint we just showed you works well in many applications, but you can make the joint even stronger. By adjusting the tenon's placement, you can strengthen the corresponding mortise. These adaptations work well in leg-rail construction.

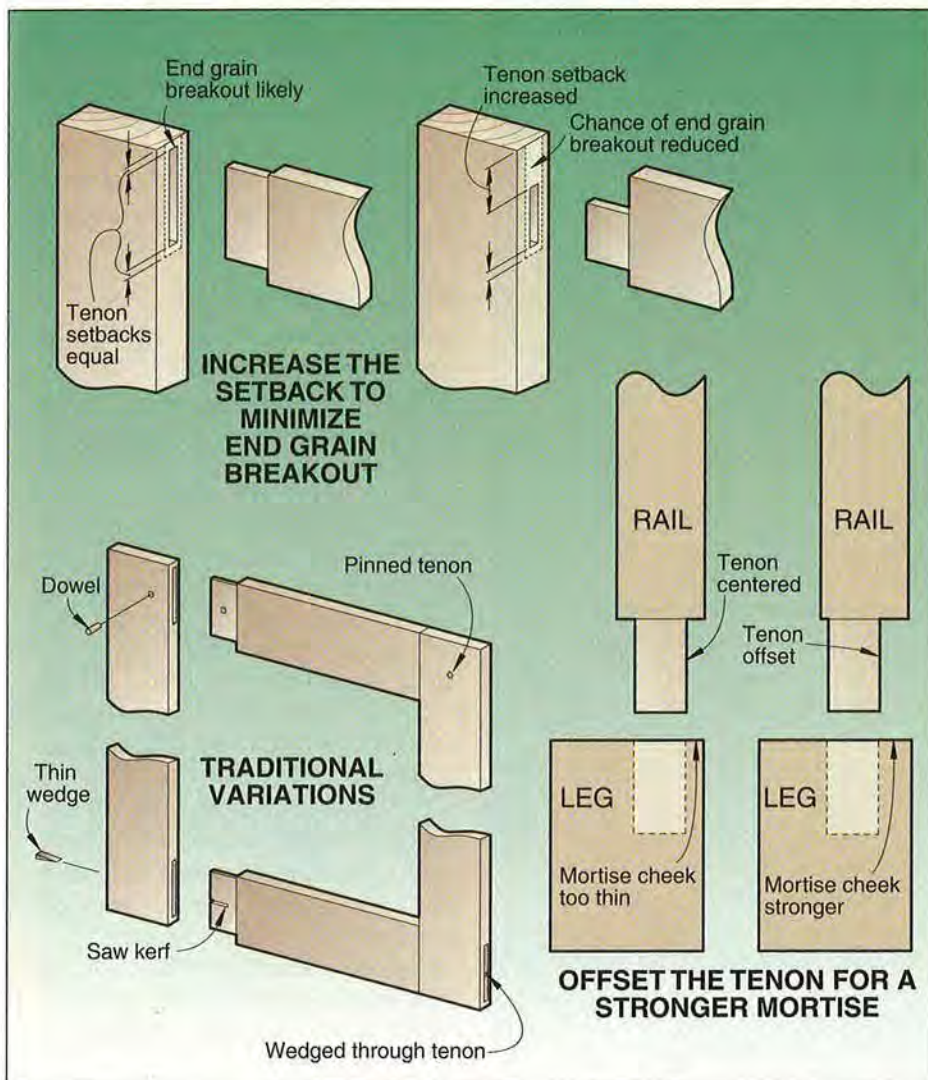
By shifting the tenon setback (see the drawing at *top left*), you cut the mortise farther away from the end of the leg, reducing the chance for endgrain breakout.

In some situations, the rail fits flush with the front face of the leg. If the tenon were centered, the outside mortise wall would be thin and weak. But by offsetting the tenon, you can keep the rail flush with the leg without weakening the tenon or the mortise wall (see drawing at *lower right*).

Early craftsmen used a variety of methods to reinforce mortise-and-tenon joints. While today's glues will hold joints tight, using pins or wedges, as illustrated in the drawing at *lower left*, still bolsters strength while lending an old-world touch to your project.

To pin a tenon, first assemble the mortise-and-tenon joint. When the glue dries, drill a centered hole completely through the joint. Apply glue to the dowel and tap it into place, saw off the excess, and sand it flush.

In a through-tenon joint, the tenon extends completely through the mortised workpiece. A wedge driven into the end of the tenon effectively locks it in place. To wedge a through tenon, cut a saw kerf into the end of the tenon, about three-quarters of its length. Glue and assemble the joint, then apply glue to a thin wedge and drive the wedge into the saw kerf. When the glue dries, saw off the excess tenon and sand it flush. ♣



SAW AND

SAVE

If you spend a lot of money on lumber, and would like to slash your costs big-time, have I got a deal for you. I produce thousands of board feet of prime oak, walnut, and cherry stock for pennies per board foot. And you can, too! Here's how.

Dave Henderson
Dave Henderson
Contributing Editor

Like any devoted woodworker and husband, I was more than willing to accommodate my wife Becky's request for a new Mission-style bed. So, after some careful planning, I went to my local hardwood supplier and bought the necessary oak—about \$300 worth. And after Becky saw how nicely the bed turned out, she came up with a list of about a dozen other furniture pieces needed for our home.

Studying the options

Although I cheerfully agreed to undertake every project on the list, I knew I had to come up with a more affordable means of acquiring lumber. So, I checked out these alternatives:

• **Harvest my own wood and haul the logs to a sawmill.** I've always been able to get my hands on good-quality logs (see the article on *page 98* for tips on doing this). But, hauling the log to the mill was a lot of work, and gave me little control over the finished product. The mill charged 40 cents a board foot for cutting the log into boards, and would accept only logs from forested property for fear of striking embedded metal and damaging a blade.

• **Buy my own sawmill.** It didn't take long to decide that I couldn't afford a trailer-based bandsaw or circular-saw mill, both of which start at around \$6,000. These

by milling your own lumber

make sense if you mill large numbers of logs, or go into business sawing logs for other people, but that's not what I had in mind.

• **Buy a handheld portable mill.** These come in two forms: a bandsaw mill powered by a chainsaw engine, or a metal frame that guides a chainsaw. Both types save you the work of moving the log because you cut it right where it falls. I tried a bandsaw model, and liked its performance, but the price (about \$1,400 without engine up to \$2,000 with engine) was too steep for me.

Then, I tried and settled on the Alaskan MK III Saw Mill Attachment for a chainsaw from Granberg International (for address see the Buying Guide at the end of this article). The 36" model I use (24"-, 30"-, 48"-, and 56"-long models are also available) consists of a 10-pound, H-shaped metal frame that clamps to the saw bar. Combined with my 33"

saw bar, this setup gives me 26½" of cutting capacity.

I power my mill with a Husqvarna 285CD that I purchased at a garage sale for \$100. The saw engine displaces 5.2 cubic inches and produces 5.5 horsepower—about the right amount of cutting power for the 33" saw bar.

My costs besides the chainsaw included \$189 for the MK III, \$30 for repair parts for the used chainsaw, \$80 for the 33" chainsaw bar, \$40 for sharpening tools, and \$40 for a special ripping chain (a standard crosscut chain works, but not nearly as efficiently). Including other miscellaneous items, my total investment was less than \$500. A similar setup with a new chainsaw would cost around \$1,000.

How a chainsaw mill works

To prepare a log for the mill, I first cut it into 8' or 10' lengths—

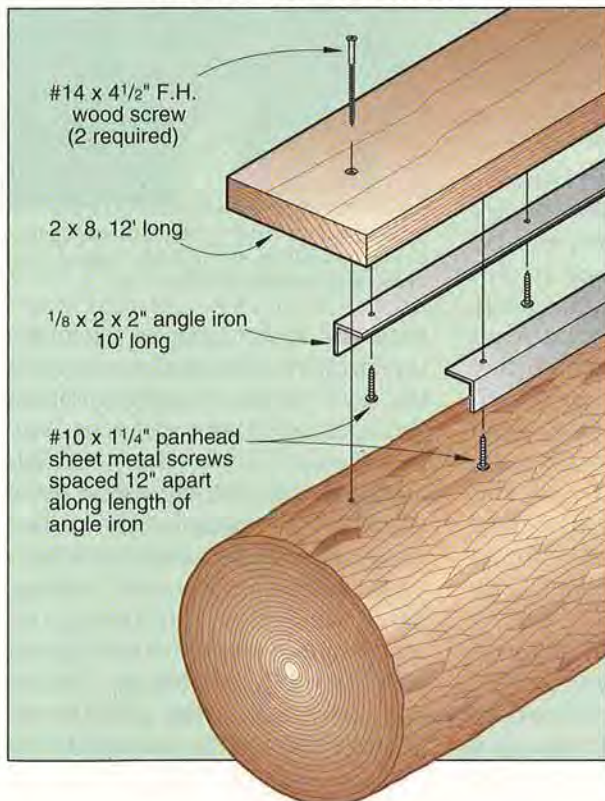
whatever makes the best use of the log. Then, I trim off any limbs or burls to make the log as cylindrical as possible.

It takes me about 10 minutes to attach the chainsaw to the MK III frame. Then, I secure a 12'-long 2×8 fir board to the top of the log with two 4½" screws. The 2×8 stays stiff, flat, and straight thanks to a pair of 10'-long, ½×2×2" steel angle irons that I mounted along the edges on one face of the board (see the drawing *below left*). I secured the angle irons with countersunk 1¼" screws spaced 12" apart. The irons go against the bark and help cradle the 2×8 to the log.

With my eye and hearing protection in place, I set the sawmill for a 5"-deep cut and make the initial slabbing cut as shown in *photo A*. With a sharp chain I can make this slabbing cut through an oak log in less than two minutes.

Continued

CHAINSAW-MILL GUIDE



The chainsaw-mill guide controls the initial slabbing cut.



Milling your own lumber often yields boards with the kind of beautiful grain figure that you won't find at a lumber retailer.

SAW AND SAVE

This cut gives me a first peek at the grain color and figure inside the log. Even now, having cut many logs in all sorts of species, I still get a thrill every time a log reveals this inner beauty. For example, the white oak logs shown in this article yielded lots of wavy grain and splotches of bird's-eye figure as shown in *photo B*. Imagining how I will use this figure in projects helps make the hours of cutting go by quickly.

Now, with a flat plane established on the log, I remove the 2x8 guide and set the mill for a 1¼"-deep cut (this yields 1"-thick boards after shrinkage from drying and planing). I've found that only boards 2½" or more in thickness require me to wedge the cut open to prevent the board from pinching the saw bar.

I make successive cuts as shown in *photo C* until my mill is within an inch or two of the ground. What remains of the log is light enough that I can prop it up a few inches with scrap pieces of wood before making the final cuts. I place wedge blocks around the bottom of the log to stabilize it.

Note: Even though the maximum cutting width of my sawmill is 26½", I once used it to mill a 42"-diameter log from an oak tree that was close to 200 years old. To do this, I rotated the log 180° after making the initial slabbing cut and one board cut. Then, I made another slabbing cut and board cut, and rotated the log 90°. At this point I could saw completely through the log without rotating it any further.

Guiding the sawmill through the cut requires little effort on my part. If the log is on a slight downhill the mill will pull itself through the cut. About the only discomfort I experience is a tingling in my hands and some stiffness in my lower back. Padded gloves help with the vibration. To prevent my back from getting too



C Above: The flat plane established by the slabbing cut guides the mill through subsequent cutting passes.

sore, I alternate between standing, crouching, and kneeling during the cutting. I also take a break after every log and go for a short walk. I've tried back support devices, but they seem too restricting for this type of work.

To keep the saw cutting efficiently, I sharpen the chain after every four boards. For fast sharpenings I use a cylindrical grinding stone and a battery-powered rotary tool such as the Dremel model in *photo D*. (Granberg sells a car-battery-powered sharpener that's faster yet.) Even with a sharp chain, it may take five or six minutes to complete cuts in the center of an oak log.

Working this way, I can typically make 200-250 board feet of 5/4 oak boards in a six-hour period. I haven't had the chance to cut softwood logs, but I would imagine that the cutting would go much faster. I also intend to buy an auxiliary oiler that mounts to the far end of the bar (\$33 from Granberg). My saw's automatic oiler doesn't put out enough oil to keep up with such heavy-duty use, and the auxiliary oiler should make the cutting go faster with less wear on the saw.

After I get my boards home, I stack and sticker them in the same order that they came out of the log. (See *photo E* of some of my outdoor stacks.) This makes it



D A battery-powered rotary tool and cylindrical grinding stone help speed frequent sharpening chores.

easier to match woods later during project construction. I leave the bark on the boards, and seal the ends with latex paint to slow the drying. I cover the pile with anything that will shed rain, typically old plywood or plastic panels weighted with concrete blocks or slabbing cuts from the milling. After one year of air-drying, the wood gets down to about 12-14 percent moisture content (MC). I live in Iowa; in other areas of the country the boards may air-dry to a higher or lower MC.



E I stack and sticker the boards in the order they came from the log. Then, I seal the ends with latex paint.



F During the dehumidification-drying process, I check relative air humidity and temperature daily. I periodically uncover the stack to check the wood moisture content.

Then, I bring the boards down to about 7 percent MC over a 2-3 week period using the low-tech, but effective, dehumidification setup shown in *photo F*. To make this small kiln I first lay a sheet of plastic on the concrete floor of my garage workshop and stack and sticker the boards on top of this sheet (with the bottom boards a few inches off the floor). I place a dehumidifier, fan, thermostat, and relative humidity gauge next to the stack and cover everything with another sheet of plastic. While the dehumidifier dries the air within this "tent," the fan circulates air for even drying throughout the stack.

I adjust the humidistat on the dehumidifier each day to keep the relative humidity inside the tent at about 30-35 percent, and the temperature in the 85-90° Fahrenheit range. For the dehumidifier to work effectively, the air outside the tent should be at least 60°. As the wood nears 8 percent MC, the temperature inside the tent may climb as high as 105°. Then, I uncover the stack and check the MC of the wood with a moisture meter. At 7 percent MC I turn off the dehumidifier, re-cover the stack, and let the fan run for two days just to make sure that the entire stack has stabilized at 7 percent.

Written by Dave Henderson with Bill Krier Photographs: Bill Krier

This setup cost me nothing because I already owned all of the necessary equipment. And, I feel that my patient approach to drying lumber yields higher-quality stock than I could buy. For more on drying lumber see these issues of *WOOD*® magazine:

- February 1993, "How to succeed at air-drying lumber," pages 40-41.
- June 1994, "*WOOD* magazine builds a solar kiln," pages 44-46.

Pros and cons to consider

The versatility and economical price of a chainsaw mill make it the ideal choice for me. Other points in favor of these mills:

- You can cut curved logs because the mill follows the contour of the log.
- I've used my mill to saw logs in tight city backyards that make the log inaccessible to a trailer-based mill. It's a lot easier to move boards than logs!

On the other hand, I don't recommend a chainsaw mill if you have more money than time. You'll spend a full day dealing with a single large hardwood tree. Also, keep the following in mind:

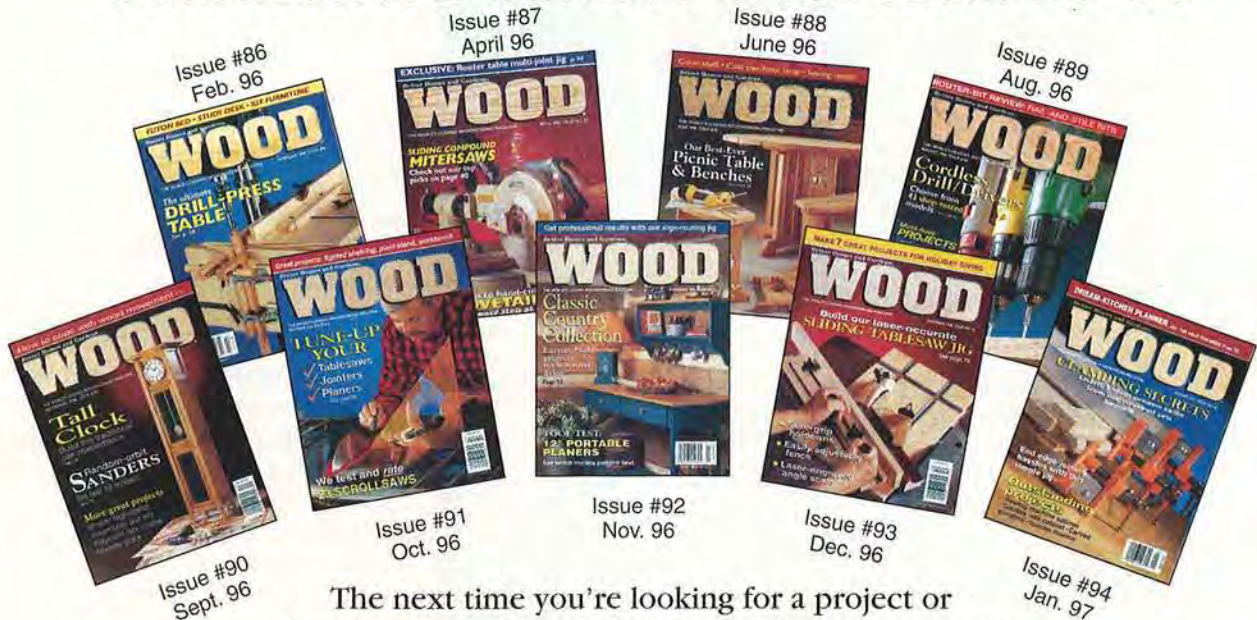
- A chainsaw makes a 3/8" kerf, so a lot of the log is turned into sawdust (especially compared to a bandsaw mill). Since I harvest free trees otherwise destined to be firewood, the amount lost to sawdust doesn't deter me.
- You need a strong, sturdy back. I'm in my early 40s and in average physical condition. I hope I'm able to handle this rig 15 or 20 years from now, but I'm not counting on it. And that's okay because my friends tell me I've already amassed enough wood for three lifetimes! ♣

Buying Guide

For more information on the Alaskan Saw Mill Attachment, contact Granberg International, P.O. Box 425, Richmond, CA 94807-0425. Call 510/237-2099.

INDEX

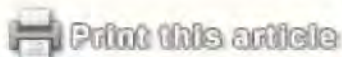
CUMULATIVE INDEX FOR ISSUES 86-94



The next time you're looking for a project or feature story in issues 86 through 94, use this handy reference to help you find it fast. We kept it simple. For instance, when searching alphabetically for a breadboard project story, you'll find "Breadboard, 92:64-65." To locate the story, go to issue 92, page 64.

A-C

- Ailanthus, 91:13
- Air-filtration systems, 86:28
- Airplane riding toy, 89:50-55; 92:4
- Air-powered nailers, 94:98
- Angles:
 - bisecting, 93:6
 - miter, 94:4
- Antique/collectible tools:
 - planes, 93:28; 94:20-21
 - scrollsaws, 87:36-37
 - window display, 91:20
- Appliqué, scrollsaw, 88:1, 53-55
- Bandsaws:
 - adjusting, 88:12
 - boxes made on, 90:35-39
 - carrier used on, 92:23
 - fence for, 92:22
 - found wood cut on, 87:18
- Barometer/clock, 93:54-56
- Basket, laced, 93:48-50
- Benches, picnic, 88:38-43
- Biscuit joiners, 90:82; 94:92
- Bits. *See* Drill bits; Router bits
- Blade wrench, bending, 88:28
- Boards. *See* Edge-gluing
 - color-coding, 89:20
 - drying, 92:30
 - movement, 90:72-78; 93:6
 - sniping, 92:31, 75
- Boatbuilder, 87:100
- Boat pull toy, 90:66-67, 100
- Boat restoration, 86:68-72
- Boot plaque, inlay, 93:36-37
- Bottle stoppers, 91:58-61
- Boxes:
 - bandsawn, 90:35-39
 - clamping, 94:55
 - hinge alignment, 90:26
 - jewelry, 93:40-45
 - finish for, 90:12, 14
- Box joints, 87:88
- Brass:
 - nativity scene, 93:46-47
 - turning, 87:74-76
- Breadboard, 92:64-65
- Breadboard ends, tables with, 89:36-41; 90:77
- Bronze-look finish, 87:70-73
- Brushes, cleaning, 87:16; 91:34
- Build-A-Toy® contest, 88:100; 91:8, 10, 12, 17-18
- winner's plans, 92:104
- Burls, 94:39-41
- Business, woodworking, 87:24; 92:80; 94:22
- Buymanship:
 - drills, cordless, 89:1, 56-63
 - mitersaws, sliding compound, 87:40-45
 - planers, 92:74-79; 94:6
 - random-orbit sanders, 90:50-55
 - scrollsaws, 91:50-57; 93:6; 94:6
 - shapers, 86:44-49
- Cabinets:
 - base, leveling, 88:6
 - clamping, 94:55
 - kitchen, 94:56-57, 59-61
 - roll-around, 91:48-49
- sewing and knitting supplies, 88:56-61
- sewing machine, 94:68-76
- wall, 94:46-49
- Calipers, 90:8, 10
- Candlesticks, 86:58-59
- proportions for, 91:24
- Cardinal, carved, 94:64-67
- Caricature carving, 88:62-65
- Carousel horse, 88:100
- Cars, toy, 93:60-64
- Carving:
 - cardinal, 94:64-67
 - caricature, 88:62-65
 - carousel horse, 88:100
 - chip carving, 86:33-37
 - Congress, 88:100
 - Lincoln bust, 90:68-71
 - Paragrave tool, 92:18
 - with router, 88:96
- Casters, securing, 92:27
- Cedar, 94:18
- finishing, 88:43; 90:30
- Chairs:
 - doll, 93:51-53
 - rungs, fitting, 88:22



Cherry, black, 90:29
Chess set, 91:37
Children's items. *See* Toys
Chime, desk, 87:57-59
Chip carving, 86:33-37
Christmas decorations, 92:1;
93:46-47, 57-59
Circular saw, portable, setting
fence for, 87:22
Clamps and clamping, 94:50-
55. *See* Edge-gluing
of angled shapes, 90:16
corner brackets for, 90:25
of edge banding, 88:6
glue blocks for, 90:39
handscrew:
as bench vise, 93:16
on ribbed tables, 88:20
lever-operation, 87:98
miter, 93:66-69; 94:54
pipe, 90:99
pads for, 94:102
shop-made, 89:22
small-part, 89:18; 91:98
spring-loaded, 90:80
table for, 93:14
threaded-rod, 88:28; 93:68
toggle-clamp jig, 87:16
Clocks:
with barometer, 93:54-56
reproductions, 92:39-43
tall, 90:60-65
parts for, 88:12
watch-shaped, 90:56-57
Coasters, flamingo, 86:50-51
Coat tree, 88:72-75
Compound miters, 87:5-6;
92:4, 8
Compound mitersaws, 88:10
sliding, 87:40-45
Contact cement:
cleaning off, 87:8
water-based, 87:96
Corian clock/barometer,
93:54-56
Corner templates, 91:102
Cradle, doll, 90:40-43
Crafts-fair marketing, 92:80
Craftsman Closeups:
bandsawn boxes: Michael
Elkan, 90:35-39
chip carving: Pam
Gresham, 86:33-37
clocks: Edward Stone,
92:39-43

furniture, classic:
George Reid, 89:31-35
furniture, miniature:
Don Perkins, 88:33-37
hats, turned: Johannes
Michelsen, 91:39-43
puzzles, animal: Peter
Chapman, 94:33-36, 78
toys: Gus Stefureac,
87:35-37
wood-inlay relief:
Wolf Moller, 93:33-37
Cribbage board holes,
drilling, 88:79; 93:4
Cruet set, 91:58, 61

D-E

Desks, 86:52-57; 91:36
Detail sander, 86:78
Detail tools, rotary, 88:8;
92:18
Disabled persons, wood-
working for, 94:62-63
Doll furniture, 93:51-53
cradle, 90:40-43
Door frame, squaring,
93:22
Doormat, 94:42-45
Dovetail joints:
hand-cut, 87:66-69
sliding, 90:77
Doweling of curved joints,
87:30
Drawer joints, 92:57, 58
Drawer pull, turning,
87:76
Drill bits, 91:insert
brad-point, small, 90:4
Forstner, 90:80
tiny, holding, 90:18
Drill guide, steadying,
87:20
Drill press:
clamps for, 87:98
cribbage board made
on, 88:79; 93:4
fence for, 92:22
as mini lathe, 93:99
rosette cutters for,
91:22
sanding attachments:
drums, 86:24; 93:92
oscillating spindle,
90:81
speed chart, 91:insert
table, 86:1, 38-43
leveling, 91:insert
vertical-hole jig, 92:26
Drills, cordless, 89:1, 56-63
Drying of wood, 92:30
Dust collection and control:
air-filtration systems, 86:28
bag, holding, 90:18
blast gate, 89:24
grounding wires, 87:8
hose connectors, 87:23
for planers, 92:78
for random-orbit sanders,
90:53
separator, 92:100
shroud retrofit, 94:97
for tablesaw, 87:12
vacuums, 86:78; 89:20
Edge banding, clamping, 88:6
Edge-gluing, 90:32; 94:51-53
jointing before, 92:28;
93:24; 94:51-52
for plywood panels, 91:65
ripping edges for, 88:78
wedges for, 88:4
Electrical wiring, 88:14, 16;
94:4
Engraving tool, 92:18
Étagère, 88:66-69; 89:16
Extension-cord holder, 88: 96

F-G

Family tree, inlaid, 91:37
Farm scene, scrollsawn,
89:64-65
Fect, project, 92:25
Filler, sawdust as, 91:24
Finishes:
for cedar, 88:43; 90:30
lacquer, gloss, 90:12, 14
metal, antique, 87:70-73
polyurethane, 86:18
preparation for, 86:16, 18
over shellac sealer, 93:22
spray paint, 89:29-30
Forest products, 93:76-78
burls, 94:39-41
certification of, 86:96
efficient use of, 93:77-78
redwoods, 88:44-48, 76
tropical hardwoods, 94:104
Forstner bits, 90:80
Fractions, 92:10, 12

Frame-and-panel doors:
bits for, 86:28; 89:46-49
wood movement, 90:76, 78

Frames:
clamping, 93:66-69; 94:54
compound miters, 87:5-6
squaring, 93:22

Fretwork, 91:104
Furnituremaker, 89:31-35
Futon, 86:60-65

Glue:
contact cement, 87:8, 96
refilling bottle, 94:12
slow-setting, 89:10
tote for, 86:94

Glue-ups. *See* Edge-gluing
Golden rectangle, 91:24
Gouges, use of, 90:33
Grain of wood, 94:8, 10
Grinder, dust shroud, 94:97
Grooves, stopped, 93:20

H-I

Half-lap joints, 90:58-59
Hats, turned, 91:1, 39-43;
94:104
Hemlock, western, 94:31-32
Hinges, box, aligning, 90:26
Holesaw:
plug grabber for, 88:24
for wheel tires, 91:26
Holly, 93:104
Hooks, tool, 88:98
Intarsia, 3-D, 93:33-37

J-M

Jar lids, turned, 91:58-60
Jenny (plane), 93:28
Jewelry boxes, 93:40-45
finish for, 90:12, 14
Jigs:
angle-clamping, 90:16
cribbage-board drilling,
88:79; 93:4
drill-press, 86:1, 38-43
groove-cutting, 93:20
miter-cutting, 90:4
miter-gauge fence, 86:20
pocket-hole, Kreg, 87:78
ripping, 88:94
router-table multijoint,
87:1, 50-56, 88
sign-routing, 92:44-49
spline-cutting, 93:42

Continued

WOOD INDEX

- tablesaw, sliding, 93:1,
 70-75, 100, 102
 tenoning, 93:90
 toggle-clamp, 87:16
 turning-square chamfering,
 92:23
 vertical-hole, 92:26
 Jointers, 87:26
 adjusting, 91:74-78; 93:24;
 94:51-52
 Joints and joinery. *See* Edge-
 gluing; Miters; Mortise-and-
 tenon joinery
 biscuit, 90:82; 94:92
 curved, doweling, 87:30
 dovetails, 87:66-69
 half-lap, 90:58-59
 pocket-hole jig, 87:78
 router-table multijoint jig,
 87:1, 50-56, 88
 wood movement, 90:76
 Kaleidoscope, 89:44-45
 Kazoo, 92:66-67
 Keyhole hangers, 94:12
 Key ring, puzzle, 94:78
 Kickback, avoiding, 91:83-84
 Kitchen planning, 94:56-61
 Kit furniture, 86:73-76
 Knitting center, 88:56-61
 Lacquer, gloss, 90:12, 14
 Laminates, plastic, 87:8
 positioning, 92:24
 trimming, 89:10
 Lamps:
 floor, 88:72-75
 stenciled, 92:62-63
 Larch, 92:33-34
 Lathes. *See* Turning
 accessories, 92:28
 as disc sander, 90:27
 parts kit, 88:12
 safety, 94:24, 26
 tools, storing, 94:16
 vertical, 93:99
 Legs, turned, 89:42-43; 90:
 45-46
 Lincoln, Abe, bust, 90:68-71
 Lock miter bits, 86:10, 12, 14
 Logging, 93:76-77
 burl, 94:39-41
 redwood, 88:44-48, 76
 Lumber. *See* Boards, Forest
 products
 Lumber rack, 87:14
 Magicians' equipment,
 93:104
 Mailbox, 86:66-67
 Manchineel, 94:101
 Mandolin, octave, 91:36
 Maritime Heritage Alliance
 (MHA), work of, 86:68-72
 Measuring and marking:
 calipers, 90:8, 10
 corner templates, 91:102
 fractions, 92:10, 12
 proportions, 91:24
 radius, marking, 88:78
 Metal:
 nativity scene, 93:46-47
 turning, 87:74-76
 Metallic finish, 87:70-73
 Miniature furniture, 88:33-37
 Mirror/shelf combo, 87:46-49
 Mission-style floor lamp/coat
 tree, 88:72-75
 Miter-gauge fence, 86:20
 Miters, 94:54
 angles, 94:4
 for arched molding, 90:30
 clamps, 93:66-69; 94:54
 compound, 87:5-6; 92:4, 8
 jig for cutting, 90:4
 lock miter bits for, 86:10,
 12, 14
 Mitersaws, compound, 88:10
 sliding, 87:40-45
 Moldings:
 arched, mitering, 90:30
 planer/molder for, 93:80
 plastic T-molding, 86:4, 6
 routing, 94:14
 and wood movement,
 90:78
 Mortise-and-tenon joinery:
 chair-rung tenons, 88:22
 jigs for:
 router-table, 87:54-56
 tenoning, 93:90
 wedges, use of, 88:4
 wood movement in, 90:76
 Motors, universal, 88:80
 Mountain laurel, 89:86
 Movement of wood, 90:72-78;
 93:6
N-P
 Nailers, air-powered, 94:98
 Nails, pulling, 90:24
 National Register of Big
 Trees, 91:104
 Nativity, brass, 93:46-47
 Needlecraft center, 88:56-61
 Nightstand, Shaker, 90:44-47
 Ornaments, tree, 93:57-59
 Oscillating spindle sanders,
 87:78; 90:81; 92:92
 Outdoor furniture, 88:38-43
 Owl, spotted, 88:76
 Paintbrushes, cleaning,
 87:16; 91:34
 Painting:
 small parts, 89:18
 spray finishes, 89:29-30
 stenciling, 92:14, 16
 Patina finish, 87:70-73
 Patio furniture, 88:38-43
 Paw prints, removing, 93:24
 Pen case grooves, 93:20
 Pencil tray, 87:71-72
 Perfboard hooks, 88:98
 Physically disabled, wood-
 working for, 94:62-63
 Pianos, Steinway, 90:48-49
 Picnic furniture, 88:38-43
 Pine, western white, 87:33-34
 Planers, 92:74-79; 94:6
 planer/molder, 93:80
 sniping, 92:31, 75
 tuning up, 91:79-81
 Planes:
 block, 93:8, 10
 core-box, 94:20-21
 transitional, 93:28
 Planing, jointer for, 87:26
 Planter, indoor, 91:62-65
 Plaques:
 cowboy-boot, 93:36-37
 welcome, 87:70-71
 Plastic laminates, 87:8
 positioning, 92:24
 trimming, 89:10
 Plastic T-molding, 86:4, 6
 Plate (biscuit) joiners, 90:82;
 94:92
 Playhouse, 87:60-65
 Plug cutters, 94:90
 Plug grabber, 88:24
 Plywood:
 edges, finishing, 86:4, 6;
 88:6
 hoop-pine, 90:104
 scraps, using, 91:65
 Pocket-hole jig, 87:78
 Polyurethane finishes, 86:18
 over shellac sealer, 93:22
 Poplar, yellow, 92:104
 Power tools. *See* individual
 names
 for starting shop, 88:89
 tuning up, 91:66-81
 Project Showcase, 91:36-37
 Proportions, figuring, 91:24
 Pull, drawer, turning, 87:76
 Punched-tin (wall) cabinet,
 94:46-49
 Puzzles, animal, 94:33-36, 78
Q-S
 Radial-arm saws:
 blade guard, 91:33
 blade-stop block, 87:16
 hold-down, 91:28
 vs. sliding compound
 mitersaws, 87:41
 Radius, marking, 88:78
 Rail-and-stile router bits,
 86:28; 89:46-49
 Random-orbit sanders, 88:81;
 90:50-55
 Reciprocating saws, 91:100
 Redwood:
 burls, 94:39-41
 finishing, 88:43
 logging, 88:44-48, 76
 and spotted owl, 88:76
 Resawing on tablesaw, 91:22
 Ripping:
 gluing edges, 88:78
 guide, 92:20
 jigs, 88:94
 thin-strip, 88:94; 91:83-84
 Rocker spindles, repairing,
 87:28
 Rocking horses, 93:104
 Rosette cutters, 91:22
 Rotary detail tools, 88:8
 Paragrave, 92:18
 Router bits:
 CMT, 91:4; 92:8
 flush trim, 94:18
 lock miter, 86:10, 12, 14
 rail-and-stile, 86:28;
 89:46-49
 setup templates, 93:17
 shapers using, 86:44-49
 V-groove, 88:96
 Routers. *See* Router bits
 carving with, 88:96
 laminate trim with, 89:10
 moldings cut on, 94:14
 multijoint jig, 87:1,
 50-56, 88

plunge, 93:88
 pushshoe, 93:80
 signs made with, 92:44-49
 speeds, 88:93

Safety:
 comic book about, 89:88
 electrical, 88:14, 16
 kickback, 91:83-84
 lathe, 94:24, 26

Sanders and sanding, 86:16
 cedar and redwood, 88:43
 detail, pneumatic, 86:78
 disc, lathe as, 90:27
 drum, 89:4; 93:92
 sandpaper on, 86:24, 26
 dust shroud, 94:97
 finishing, 1/2-sheet, 88:81
 oscillating spindle, 87:78;
 90:81; 92:92
 random-orbit, 88:81;
 90:50-55
 right-angle block, 88:20
 small-part board, 88:29

Sawdust as filler, 91:24

Sawhorse, 94:93

Schools:
 crafts program, 87:38-39
 shop class, 89:66-68

Scrapers, use of, 90:33

Scrollsaws, 91:50-57; 93:6;
 94:6
 antique, 87:36-37
 appliqué, 88:1, 53-55
 blade changing, 91:52-53
 blade storage, 90:21
 bucking bronco pencil
 tray, 87:71-72
 farm scene, 89:64-65
 flamingo coasters, 86:50-51
 fretwork made on, 91:104
 lighting of cut, 90:28
 mailbox, 86:66-67
 nativity, brass, 93:46-47
 seminars, 86:96
 stands for, 91:14, 51-52
 throat plate, 89:26
 wagonette, 88:70-71
 welcome plaque, 87:70-71

Sequoia, giant, 88:30

Sewing centers:
 sewing machine, 94:68-76
 sewing supplies, 88:56-61

Sewing kit, turned, 92:50-52

Shaker nightstand, 90:44-47

Shapers, 86:44-49

Shellac, finish over, 93:22

Shelves:
 lighted unit, 91:44-47
 tower of, 88:66-69; 89:16
 wall-hung, 91:36-37;
 92:59-61; 94:46-49
 with mirror, 87:46-49

Ship restoration, 86:68-72

Shop class, 89:66-68

Shop skills:
 half-lap joints, 90:58-59
 wedges, wooden, 88:4, 6

Shop-tested technique: sign
 routing, 92:44-49

Sideboard, 92:54-58

Sign routing, 92:44-49

Snipe on boards, 92:31, 75

Snowman decorations, 92:1

Sofa, futon, 86:60-65

Spindles, repairing, 87:28

Spline-cutting jig, 93:42

Stabilized wood, 89:14; 94:6

Staplers, air-powered, 94:98

Steamboat toy, 90:66-67, 100.

Steam engines, 90:104

Stenciling, 92:14, 16, 62-63

Stickering of wood, 90:75;
 92:30

Stoppers, turned, 91:58-61

Storage:
 drop-down tray, 93:12
 glue tote, 86:94
 hooks, tool, 88:98
 of lathe tools, 94:16
 lumber rack, 87:14
 roll-around, 91:48-49
 of scrollsaw blades, 90:21

Sweet gum, 93:30

T-V

Tables:
 dining, 91:36
 doll, 93:51-53
 kitchen, country, 89:36-41
 nightstand, 90:44-47
 picnic, 88:38-43
 wood movement in, 90:77
 worktable, folding, 94:6

Tablesaws:
 blade alignment, 91:70-71
 blade changing, 88:28
 dust from, catching, 87:12
 fence alignment, 90:20;
 91:73
 fence straightening, 91:73
 gluing edges ripped, 88:78
 Jet XACTASAW Left, 91:98

jig, sliding, 93:1, 70-75,
 100, 102
 resawing with, 91:22
 ripping guide for, 92:20
 ripping jigs for, 88:94
 tenoning jig for, 93:90
 tuning up, 91:68-73

Tamarack, 92:33

Tape, double-faced, 89:16

Templates:
 corner, 91:102
 material for, 92:92

Tenoning jig, 93:90

Tenons. *See* Mortise-and-
 tenon joinery

Thin-strip ripping, 88:94;
 91:83-84

Threaded-rod clamps, 88:28;
 93:68

Timber. *See* Forest products

T-molding, plastic, 86:4, 6

Toys:
 biplane, riding, 89:50-55;
 92:4
 boat, pull, 90:66-67, 100
 cars, 93:60-64
 contest, 88:100; 91:8, 10,
 12, 17-18; 92:104
 doll furniture, 93:51-53
 cradle, 90:40-43
 maker of, 87:35-37
 playhouse, 87:60-65
 rocking horses, 93:104
 truck, farm, 92:68-73
 wheel tires, 91:26

Train, folk-art, 94:104

Triangle, drafting, 89:14

Truck, farm, 92:68-73

Tuliptree, 92:104

Tune-ups for tools, 91:66-81

Turning. *See* Lathes
 brass, 87:74-76
 candlestick, 86:58-59
 clear view of, 91:32
 clock columns, 93:54-56
 half-round pieces, 91:30
 hats, 91:1, 39-43; 94:104
 kaleidoscope, 89:44-45
 legs, 89:42-43; 90:45-46
 new materials for, 87:96
 sewing kit, 92:50-52
 squares, chamfering,
 92:23
 stopper tops, 91:58-61
 tools, use of, 90:33
 tree ornaments, 93:57-59

Vacuum, shop, 86:78
 wands, loosening, 89:20

Verdigris finish, 87:70-73

Vises:
 for angled parts, 90:16
 handscrew clamps as,
 93:16
 miter, 93:66-67

W-Z

Wagonette, model, 88:70-71

Walnut, black, 91:104; 92:36

Warped boards, 90:74-75

Wax, lubricating, 92:102

Wax polish, 91:98

Wedges, 88:4, 6; 90:16, 24
 ripping, jig for, 88:94

Welcome mat, 94:42-45

Welcome plaque, 87:70-71

Wheel tires, toy, 91:26

Wiring, 88:14, 16; 94:4

Wood movement, 90:72-78;
 93:6

WOOD ONLINE, 89:82; 90:1

Wood species. *See* Redwood
 ailanthus, 91:13
 cedar, kinds of, 94:18
 cherry, black, 90:29
 hemlock, western,
 94:31-32
 holly, 93:104
 larch, western, 92:33-34
 manchineel, 94:101
 mountain laurel, 89:86
 movement of, 90:73-74
 pine, western white,
 87:33-34
 poplar, yellow, 92:104
 sequoia, giant, 88:30
 sweet gum, 93:30
 walnut, 91:104; 92:36
 yew, 89:88

Wood stabilization, 89:14;
 94:6

Workbench:
 fold-down benchtop,
 94:14
 with rolling cabinets,
 91:48-49
 securing work on, 88:6

Workshop:
 renting, 88:100
 starting, 88:89

Work supports, 87:10; 94:93
 joist-hung, 88:26

Worktable, folding, 94:6 ♣

Natural-Born

A woodpecker for your door

Tapping on a door: Now, there's a task ideally suited to a woodpecker. With our dandy door-knocker project, you can have a bird on the job in just a few hours. It would be great on the door to a kid's room or as a novelty for your own front door.

First, build the bird

1 Trace the outline for the woodpecker's body (*page 92*) onto a piece of hardwood $\frac{1}{2} \times 3 \times 6\frac{1}{2}$ ". Either birch or basswood would be a good choice for the painted bird. When tracing, a straightedge and a French curve or flexible ruler will help you follow the lines neatly and accurately.

2 Bandsaw or scrollsaw the body. A $\frac{1}{8}$ " bandsaw blade or a #5 scrollsaw blade (.038 \times .015" with 12 $\frac{1}{2}$ teeth per inch) will do the job.

3 Mark the location for the $\frac{1}{16}$ " hole on the side of the body. Using a drill press, drill the hole through the body. Chuck the $\frac{1}{16}$ " bit in a portable drill, and drill the hole centered on the edge of the body where shown.

4 File or sand round-overs along both sides of the head and body, except on the beak and the tail. For uniformity, copy and cut out the Round-over Radius Guide to gauge your work. Taper the beak to $\frac{1}{4}$ " wide at the tip, and shape it to the cross section shown.

5 Trace the tail outline and two wing outlines onto $\frac{1}{4}$ " stock. Both wings fit on a $\frac{1}{4} \times 2\frac{1}{2} \times 6\frac{1}{2}$ " piece, and the tail on one $\frac{1}{4} \times 2 \times 2$ ". Scrollsaw the wings and tail.

6 Round over the outside face of each wing, utilizing the same radius guide used for the body. Sand a slight round-over—just enough to break the sharp edge—along the back of each wing.

7 Glue the tail to the body where indicated. After the glue dries, sand the tail to the cross section shown. The body and tail should be flush on both top and bottom.

8 Finish-sand the body/tail assembly and the wings. Glue the wings to the body.

9 After the glue dries, paint the bird with acrylic craft paints. (Or, use enamel paints if your woodpecker will be exposed to weather.) You can follow our color scheme or invent your own.

Make the metal feet

1 Copy the foot pattern twice. With spray adhesive, attach the patterns to two 2 \times 2" pieces of copper about $\frac{1}{32}$ " thick. (We bought a .025 \times 4 \times 10" sheet of copper, packaged as K&S no. 259, at a hobby shop.)

2 Drill the $\frac{1}{8}$ " hole where shown in each foot. For drilling, clamp the piece, with a scrapwood back-up, to your drill-press table.

3 Cut away the excess copper around the foot with tin snips. Then, using your bench grinder or drum sander and small files, finish shaping the feet. When grinding or power-sanding copper, remember that the metal readily conducts heat and can get hot from friction. To grip the small foot for filing, sandwich it between two pieces of scrapwood clamped in a vise. Keep the guideline as close as possible to the supporting scrapwood pieces.

4 Flatten the feet if necessary, using a block of scrapwood as an anvil and a rubber or wooden mallet. Sand the edges to eliminate file and grinder marks.

5 Attach a foot to each side of the body with a #2 \times $\frac{1}{4}$ " roundhead wood screw. Leave the screws loose enough that the feet can move freely on the body. Screw a



Knocker

#216½ brass screw eye into the hole in the front of the body. Tie one end of a 12" length of string to the screw eye.

Now, complete the knocker

1 Center the assembled woodpecker on a ½×2×10" piece of maple. On the board, mark the locations of the tabs on the feet.

2 Using the marks, lay out two slots on the board to accept the tabs on the woodpecker's feet. Drill a ⅛" blade start hole at one end of each slot, then scrollsaw the slots.

3 Fit the tabs on the feet into the slots. Mark the spot where the bird's beak strikes the board. Draw a center for a mounting hole at that point. The same distance from the bottom of the board, draw another center for the other mounting hole.

4 At the centers you just marked, drill ¼" holes ¾" deep. Drill the rest of the way through with a ⅞" bit.

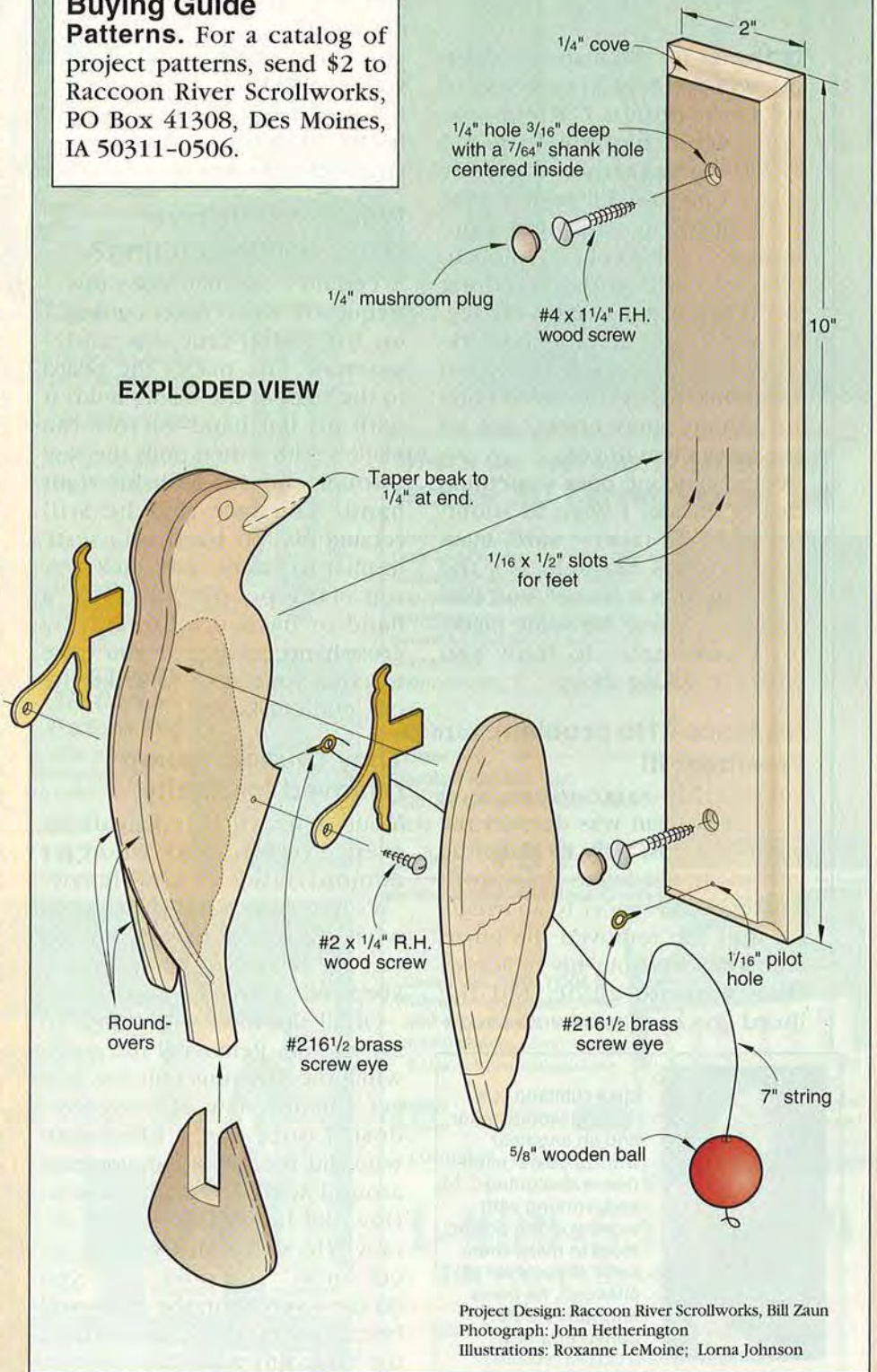
5 Rout a ¼" cove around the front face of the board. To prevent tearout, form the cove in two or three shallow passes.

6 Finish-sand the mounting board, and apply a clear finish. Drill a ⅛" pilot hole near the bottom centered side to side, and screw in a #216½ brass screw eye. Attach the mounting board to the door with #4×1¼" flathead wood screws. Cover the screw heads with ¼" mushroom plugs.

7 Put a drop of cyanoacrylate adhesive (instant glue) at the end of each foot tab. Then, push the tabs into the slots. Pass the end of the string through the screw eye on the mounting board. Adjust the length to your preference, and pass the string through a hole in a ⅝" wooden ball. Knot the end to retain the ball. ♣

Buying Guide

Patterns. For a catalog of project patterns, send \$2 to Raccoon River Scrollworks, PO Box 41308, Des Moines, IA 50311-0506.



Project Design: Raccoon River Scrollworks, Bill Zaun
 Photograph: John Hetherington
 Illustrations: Roxanne LeMoine; Lorna Johnson

"But I saw it on TV..."

Safety Man Mike Gililand unloads on television woodworkers who set unsafe examples for all of us.

Thanks for the many good letters you sent in response to my last column ("Kickback: Don't let it happen to you," *WOOD*® magazine, October 1996). I promise I'll answer your best questions the next time around. For this column, though, I have to deal with something that recently got to me—my regular weekend fare of woodworking and do-it-yourself television programs. Many TV hosts commit blatant safety errors, and no one takes them to task.

When someone does something clearly unsafe, I want to shout: "DON'T DO THAT!" Sure, inadvertent slips happen. It's the "don't try this at home" stuff that upsets me. Here are some made-for-TV examples to show you what I'm talking about.

No fence? No problem. Freehand it!

On one big-name program, a local tradesman was demonstrating to the host how to make the curved cut needed to properly fit a cabinet-end spacer to an irregular wall. He removed the guard and spreader from his tablesaw, then with no guide, fed the board freehand to saw an irregu-

lar kerf. "Slick!" said the narrator. My comment remains unprintable here.

Flat blades (table or radial-arm and circular saws) aren't designed to cut curves. When you force them, you risk a violent kickback. Sometimes it's hard enough to cut perfectly straight let alone try any freehand sawing.

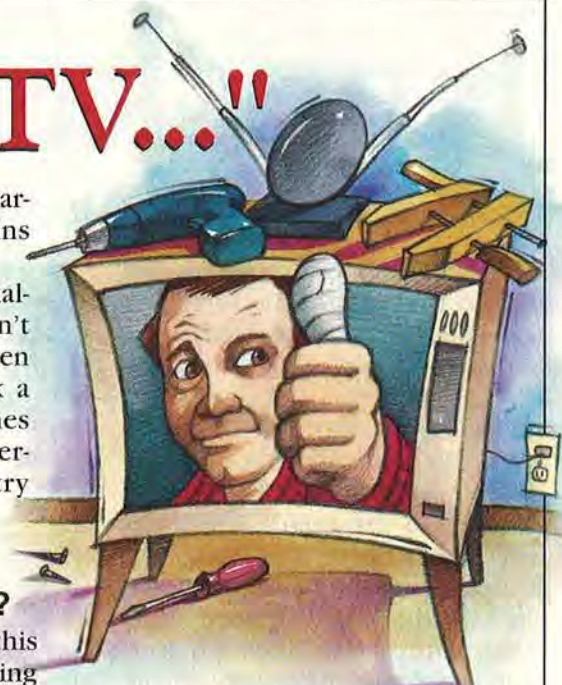
Would you believe cross-handed cutting?

A certain craftsman does this frequently when miter-cutting on his radial-arm saw and miter saw. He places the board to the right of the blade, holds it with his left hand—across the blade's path—then pulls the saw through the cut with his right hand! The fact that he still retains his left hand isn't testimonial to talent, just luck. Far too many people have lost a hand or hacked a forearm by cross-hand cutting. If you have to cross your arms to make the cut, don't make it.

They caution "guard removed for clarity"

You've heard this line from every TV personality who ever demonstrated at a tablesaw: "We've removed the guard while the saw is running so you can see better. At home, please keep your guards in place."

Of all the foolhardy things to say and do. Removing the guard while the saw runs only lets you get a better view of flying sawdust. I once met a blind man who did the finest cabinetwork around with a radial-arm saw. How did he manage such accuracy? He said, "Measure twice, cut once." The point is, if you do the setup right, the result will be right. You don't need to see the blade throwing chips; you



want to see the result. Now, there's nothing wrong with photographing a tablesaw without a guard to better show a setup. It's quite another thing, though, to start the saw and make the cut.

"Look folks, watch me pinch the blade"

To emphasize the importance of the spreader on his tablesaw, a TV-workshop star took off the guard and spreader and started to rip a board. Halfway into the rip he stopped feeding, reached over and behind the blade, and pinched the kerf closed! After my heart restarted, I noticed he was still smiling and talking—with all his fingers. I have that on video.

His focus was the unwanted saw marks where the blade was pinched. I screamed, "What about kickback?" A spreader does a lot to prevent kickbacks. Yet, if deleting saw marks is reason for you to keep them on your saws, okay. And at the risk of offending those folks I watch on TV, let me just add: "DON'T DO THAT!"

Send your safety-related question, stated simply, with a SASE to:

The Safety Man,
WOOD® Magazine,
1912 Grand Ave.,
Des Moines, IA 50309-3379.

Not all questions will be published, but each will receive a reply.



Mike Gililand is a lifelong woodworker and an engineer with 25 years' experience designing and working with woodworking power tools to make them safer. A resident of Missouri, he owns and runs a safety-consulting firm.

Can you carve these?

Sure you can, with CMT TOOLS' exclusive 3D Router Carver™ System

What is the 3D Router Carver™ System?

The 3D Router Carver System is a unique patented method of producing intricate carvings quickly, economically and with complete repeatability.

With the Carver Bit, Carver Templates and your 1/2" collet plunge router you can carve any flat wooden surface with designs that rival the work of a professional carver. In fact, the 3D Carver System's speed, accuracy and economy make it equally attractive to the professional or the serious amateur. Besides your router, the system requires three key elements:

1) **The 3D Carver Bit:** A 1/2" shank, carbide tipped V-Groove Bit is enclosed in a 45° guide bushing. A threaded shaft within the bit's shank allows precise depth adjustment of the tip of the V-Groove bit. **Bit Specifications:** Shank: 1/2" Cut diameter: 3/4" Cut Angle: 45° Cut depth: 5/8" Guide bushing diam.: 1-7/8"

2) **Template Holding Frames:** Clamped or tacked to your workpiece, these frames hold the 3D Templates securely in place.

3) **Carver Templates:** A total of 46 templates produce a host of designs for cabinet doors, panel doors, rails, corners, drawer fronts and many other applications.

How does the system work?

The bit is installed in the router (1/2" collet only) with the plunge mechanism unlocked so that the router can move up and down as you route. The 45° bushing follows the slots in the template. As the slot gets wider, the router moves downward, so the v-groove gets wider. As the slot narrows, the router moves up and the groove gets narrower. That's it!

Where can I learn more?

Order our new 3D Carver Pattern set (at right), which includes full-size drawings of all 46 designs packed in a 3-ring binder. Or order the 3D Carver video (below), a step-by-step demonstration of all of the system's capabilities.

3DC-999
3D Carver Video
List: \$13.00 SALE: \$10.00

NEW! Complete
3D Carver™
Pattern Set

Includes 42 pages of accurate, full-size drawings packed in a sturdy 3-ring binder
3DC-900
Pattern Set, List: \$20.00
SALE: \$14.90

CMT TOOLS

3D Carver
Pattern Set

Test drive the new American-made CMT bits!



This special introductory offer lets you experience CMT quality first hand! These bits are hot off the line of our new, state-of-the-art U.S. factory. You'll get three bits with all the famous CMT features, like Fatigue-Proof® steel, micro-grain carbide & our trademark orange coating*, all for about half our regular price!

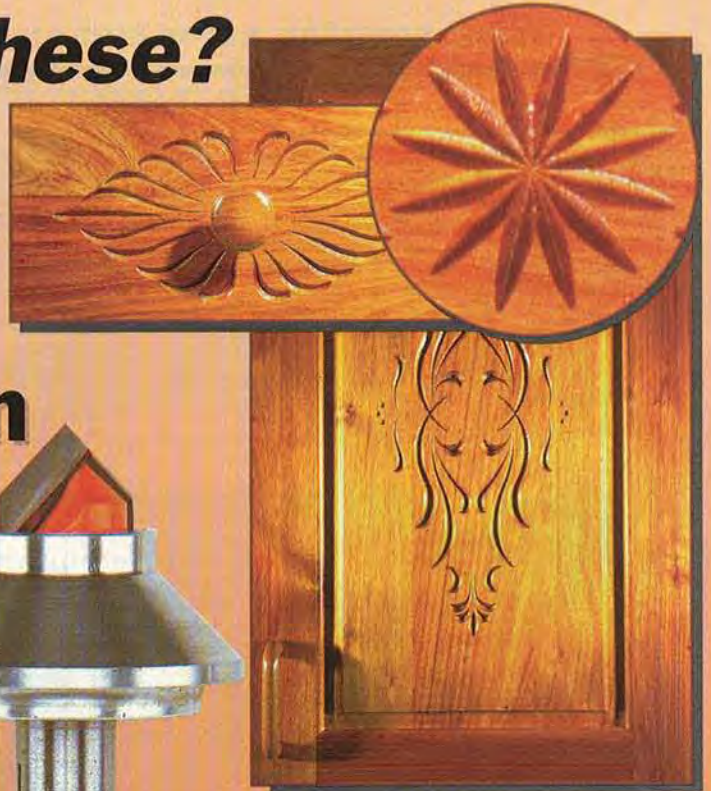
800-701
3-Bit Set, 1/4" Shank,
Reg: \$69.60 **Special: \$34.90**

1/4" radius
Roundover

800-702
3-Bit Set, 1/2" Shank,
Reg: \$72.70 **Special: \$36.90**

1/2" diameter
Straight

1/2" diameter
Flush Trim



What's the best way to get started? With our 3D Carver Starter Kit

You'll get our Classical Kitchen Door and Drawer templates, two holding frames, a 3D Carver Bit and our 3D Carver Video. That's everything you need to carve the beautiful Classical-style door and drawer front shown at right.



499-010X
Starter Kit:
Classical Kitchen Set
with 3D Carver™ Bit & video!
List: \$202.10
Sale: \$159.90



Come visit us on the Web!

Check out CMT TOOLS' Web site for special deals and lots of information.
<http://cmttools.com/catalog/>
E-Mail: cmttools@packet.net



To order, call toll-free
24-hours a day:

1-800-531-5559

Toll Free FAX: 1-800-870-7702

Free shipping on orders over \$200.00
(\$5.00 shipping & handling for orders under \$200.00)

Dealer inquiries welcome!

For export call: (813) 891-6160 FAX: (813) 891-6259

CMT TOOLS™, 310 Mears Boulevard, Oldsmar, FL 34677
In Canada, call: ToolTrend Ltd. 1-800-387-7005



Don't settle for less than a perfect fit!
Our Ply-Groove™ bits match the real
thickness of plywood!



Our free catalog has the
complete line of 3D
Carving™ Templates plus
thousands of fine tools!
Call for your copy today!

Work smarter, safer and cleaner

DESIGN BREAKTHROUGH

All wood workers now know that air filtration is essential. WoodMark's new ceiling-mounted air filtration system has been created for maximum efficiency in air movement for filtration. This innovative design directs the dust inlets at an 8° angle toward the working area of your shop where dust is created.

By placing these inlets on all sides of the unit you are provided with a unique and highly effective 360° collection of air, allowing your shop to be filtered from every direction at the same time.



"You can either buy a filter or you can be a filter."

Introductory Offer
\$499.95 + S&H
LIMITED TIME ONLY

We've also added fluorescent lighting to help you see how clean your shop really is.

- 1100 CFM
- 12' Power Cord
- Fluorescent Light
- 360° Air Collection
- Unique filter-lock system (insures dust will be captured in the filter)

It's the ultimate workbench. It's a downdraft table. It's a complete air filtration system.



Deluxe • 30' x 69' x 2'
Has a larger, thicker work surface and includes twin screw vice

Remove the dust before it can pass your face. The Dust Eliminator Workbench collects dust at its source (from sanding)... and air-borne particles created by other shop tools.

A generous select and better grade hard maple work surface sits atop a powder-coated, heavy gauge steel cabinet.



Original • 30' x 54' x 1 1/2'
Only \$889.00 + S&H
Workbenches shown with some options.

Other Sizes & Options Available

Powerful motor (930 CFM) • Optional 1600 CFM motor
Locking casters • GFI convenience outlet • 20' power cord

WOODMARK Call toll-free for our FREE Color Brochure
P. O. Box 211434 • Bedford, TX 76095 1-800-845-4400

Circle No. 1295

FREE WOODWORKING CATALOG!

OVER 400 NEW PRODUCTS

From high-tech euro style kitchen hardware to finely crafted humidur components, hardwoods, plans, tools and much more!



Dept. 63119

Call 1-800-403-9736

<http://woodworkerstore.com>

Since 1954

The Woodworkers' Store

Hardware, Wood, Tools & Know How

Circle No. 965

JUST \$79.95 - WHILE THEY LAST!

Read on to find out how you can grab a quality 16.8 Volt Cordless Super Drill for the absolute lowest price ever!

The 16.8v Cordless SUPER DRILL

Discover why a blunder by the world's largest cordless drill manufacturer can put their high-powered 16.8v Super Drill in your hands for an unheard of ~~\$89.95~~

It's a mistake. The factory used the wrong color casing. This has no effect on the performance of the drill, but it does affect our "brand awareness" (ever heard of a navy blue Makita® or a mustard yellow DeWalt®?). We have just 3500 units. Instead of shipping them back, we're offering them to you at a special discount while supplies last.

TRY IT RISK-FREE

This is the best cordless drill value available today and your 100% satisfaction is guaranteed. If this drill doesn't exceed your expectations, return

it within 30 days for acourteous refund.

To order your 16.8v Cordless Drill/Driver Set with carry case, charger and battery, call toll-free, 1-800-925-2005 or send your check for just ~~\$89.95~~ (\$8.95 S&H). Item No. 70-1W5. CA res add sales tax. No dealers.

Extra batteries are \$39.95 ea. (\$3.95 S&H). Item No. 75-0W5. Upgrade to a One-Hour Fast Charger for just \$9.95. Item No. 20-0W5. 3 FREE Bonuses for the first 2,000 orders. Call today.

"Your 100% Satisfaction is Guaranteed!"

Electronic Brake for fast, easy bit changes.

0-900 RPM, variable speed, reversible switch.

Industrial motor delivers 200 in. lbs. of torque.

Heavy Duty 3/8" Jacobs® Keyless Chuck

6 Precision Clutch Settings



Superb power-to-weight ratio.

Powerful 16.8-volt Battery for 20% longer running time.

Perfectly balanced T-handle design stands on its own.

UL Listed

Yours For Just ~~\$89.95~~ \$79.95

YOU GET 3 FREE BONUSES! If you're among the first 2,000 people who take advantage of this exclusive direct-to-you offer, you'll also receive FREE a 12-Function Pocket Tool w/needle nose plier, knife, wire cutter, can opener, bottle opener, file, awl, fish scaler, 3 flat screwdrivers, Phillips screwdriver and ruler, PLUS a 9" Magnetic Torpedo Level PLUS a 21-Piece Bonus Accessory Kit (a \$39.95 combined value)! These bonuses are yours to keep - even if you return the drill set. You're guaranteed to come out ahead!



Visit our web site: <http://www.greattools.com>

Call Toll-FREE 1-800-925-2005 • Great Tools Direct! 587F Ventu Park Rd. - Dept. 801 Thousand Oaks, CA 91320



Circle No. 43

LIVE OAK The tree that keeps you raking

Travelers through the Deep South marvel at the eerily beautiful live oak trees with their draping of Spanish moss. From southeastern Virginia down the coast and along the Gulf of Mexico into Texas, this easily transplanted tree has long been popular as an ornamental.

Homeowners and others charged with grounds-keeping chores soon learn how the live oak (*Quercus virginiana*) got its name. Because the tree constantly grows new leaves, it is forever green, and thus *live*. However, the new leaves replace those that fall, which means constant raking for the fastidious. And with a tree that frequently has branches extending three times as broad as its height, that's a lot of labor.

Although now seldom used for commercial purposes, the hard,

strong, and heavy wood of live oak was historically quite important. When ships were made entirely of wood, live oak provided the material for the angular parts of a ship's frame called the "knees." These were sawn from the nearly 60° junction of the tree's trunk with its large roots. The natural knees thus had interlocking grain that proved much stronger than straight timber cut and joined to the same shape. The U.S. government thought the wood so valuable for the country's ships that by 1845 it had acquired about 250,000 acres of live oak timberland in the South as a future reserve. But as the days of sail and wooden ships passed, the larder of live oak land was returned to the public for eventual settlement. 🌳

Illustration: Jim Stevenson



Live oaks stay green by continually dropping their leaves and growing new ones to replace them.

BOSCH	
1275DVS	3" X 24" VS DUSTLESS BELT SANDER 219
1276DVS	4" X 24" VS DUSTLESS BELT SANDER 229
1584VS	CLIC BARREL HANDLE JIG SAW, VS 142
1584VSW	1584VS JIG SAW W/CASE & 10 BLADES 159
1587VS	TOP HANDLE JIG SAW, VAR SP 142
1587VSW	1587VS JIG SAW W/CASE & 10 BLADES 159
1613EVS	2 1/2 HP VAR SP PLUNGE ROUTER 198
1613EVSX	1613EVS 2W/RA1051 DELUXE EDGE GUIDE 208
3310K	12V CORDLESS W/ HANDLE W/2 BAT, CS & CHRGR. 179
3610K	14.4V CORDLESS DRILL KIT W/2 BATTERIES 197
3725DVS	5" DUSTLESS VS RANDOM ORBIT SANDER 143
3727DVS	6" DUSTLESS VS RANDOM ORBIT SANDER 148
3915	10" SLIDE COMPOUND MITER SAW 578

SKIL	
HD1665-02	BISCUIT JOINER KIT 134
H03400	10" TABLE SAW W/CARBIDE BLADE & STAND 198
HD77	7 1/4" WORM DRIVE CIRCULAR SAW 159

Jorgensen				
ITEM	JAW LENGTH	OPEN CAP	OUR PRICE EACH	BOX OF 5
STYLE 37 2 1/2" THROAT 1/4" X 3/4"				
3705	6"		6.00	32.50
3712	12"		6.50	36.95
3718	18"		7.50	40.75
3724	24"		8.95	43.50
3730	30"		8.80	47.75
3736	36"		8.95	53.95
PONY CLAMP FIXTURES				
#90	3/4"	BLACK PIPE CLAMPS		8.10
BOX OF 12 \$91.95				

HITACHI	
C8FB	8 1/2" SLIDE COMPOUND MITER SAW 498
C10FC	10" COMPOUND MITER SAW 209
C10FS	NEW 10" SLIDE COMPOUND MITER SAW 738
M12V	3 HP VAR SPEED PLUNGE ROUTER 259

POWERMATIC Int	
ALL PRICES INCLUDE FREIGHT IN CONTIGUOUS U.S.A.	
15	15" PLANER 1295
64	1 1/2 HP TABLE SAW W/ACCU-FENCE 745
64L	1 1/2 HP TABLE SAW W/50" ACCU-FENCE 845
66	3 HP, 1 PH 10" T.A. SAW W/50" FENCE 2045
66	5 HP, 1 PH 10" T.A. SAW W/50" FENCE 2145
73	1 1/2 HP DUST COLLECTOR 419

ALL CHECKS WILL BE HELD 10 BUSINESS DAYS
WE ACCEPT VISA, MASTERCARD, DISCOVER, & AMERICAN EXPRESS

INTERNATIONAL TOOL CORPORATION

BUSINESS HOURS: MON-FRI 8-5 PM EST. SATURDAY: 9-12 EST

2590 DAVIE RD., DAVIE, FLORIDA 33317

1-800-338-3384

FREE FREIGHT & SAME DAY SHIPPING ON MOST UPS ORDERS OVER \$50 MINIMUM PURCHASE WITHIN THE CONTIGUOUS U.S.A.

GIFT CERTIFICATES AVAILABLE

VISIT OUR WEBSITE AT: HTTP://WWW.INTERNATIONALTOOL.COM

PORTER-CABLE	
Model 906901K Includes 90690 router or with case, 6931 plunge base, 42160 edge guide, 42000 template guide kit, 39993 routing pad, The World of Porter Cable Router's video, and a \$5.00 coupon towards future Porter Cable accessory purchase. OUR PRICE \$284.00	
BN125	18 GA. BRAD NAILER KIT 5/8" - 1 1/4" 87
BN200	18 GA. BRAD NAILER KIT 3/4" - 2" 134
DA250	15 GA. ANGLE FINISH NAILER KIT 1 1/4" - 2 1/2" 208
DA250A	15 GA. ANGLE FINISH NAILER KIT 1 1/4" - 2 1/2" 244
FN250	16 GA. FINISH NAILER KIT 1" - 2 1/2" 199
FR350	FRAMING NAILER W/CASE 3 1/2" CAPACITY 304
NS100	NARROW CROWN STAPLER KIT 1/2" - 1" 87
NS150	NARROW CROWN STAPLER KIT 1/2" - 1 1/2" 157
330	SPEED BLOCK FINISHING SANDER 62
332	QUIKSAND 5" RNDM ORB W/STKIT PAD 56
333	QUIKSAND W/HOOK & LOOP, DUSTLES 64
334	QUIKSAND W/STKIT, DUSTLESS 64
340	1/4 SHT FIN SANDER W/DUST PU 49
347K	7 1/4" FRAMERS SAW, 15 AMP WITH CASE 128
352VS	3" X 21" BELT SANDER DUSTLESS W/VAR SP 164
360	3" X 24" BELT SANDER W/DUST BAG 212
362	4" X 24" BELT SANDER W/DUST BAG 218
505	1/2 SHT FIN SANDER 126
551	POCKET CUTTER 188
552	PRODUCTION POCKET CUTTER 569
556	BISC JOINER W/CASE & T/L FENCE 132
690	1 1/2 HP ROUTER W/1/4" & 1/2" COLLETS 136
90690	SPECIAL EDITION 1 1/2 HP ROUTER W/CASE 158
691	1 1/2 HP "D" HANDLE ROUTER 158
693	PLUNGE BASE ROUTER, 1 1/2 HP 178
697	SHAPER TABLE W/ 1 1/2 HP ROUTER 228
698	SHAPER TABLE 134
6931	PLUNGE ROUTER BASE 178
7116	NEW 24" CMN/JIG 292
7310	LAMINATE TRIMMER, 5.5 AMP 97
7335	5" RANDOM ORBIT SANDER 132
7336	6" RANDOM ORBIT SANDER 136
7518	3 1/4 HP FIXED BASE ROUTER-5 SPEED 274
7539	3 1/4 HP PLUNGE ROUTER-5 SPEED 274
7800	DRYWALL SANDER 326
7810	POWER TOOL TRIGGERED WET/DRY VAC 258
9341	1/4 SHEET FIN SANDER WITH CASE 58
9444	PROFILE SANDER KIT WITH ACCESSORIES 96
9737	RECIPRO TIGER SAW, 9.6A, QUICK CHNG CHUCK 159
9830	9.6V CORDLESS DRILL KIT W/2 BATT & CASE 146
9862	12V CORDLESS DRILL KIT W/2 BATT & CASE 176
9872	14.4V CORDLESS DRILL KIT W/2 BATT. & CASE 206
97310	LAMNT TRIMMR KIT W/3 BASES & CS 188
97549	JIG SAW W/CASE & 3 BLADES 139

ALL CHECKS WILL BE HELD 10 BUSINESS DAYS
WE ACCEPT VISA, MASTERCARD, DISCOVER, & AMERICAN EXPRESS

INTERNATIONAL TOOL CORPORATION

BUSINESS HOURS: MON-FRI 8-5 PM EST. SATURDAY: 9-12 EST

2590 DAVIE RD., DAVIE, FLORIDA 33317

1-800-338-3384

FREE FREIGHT & SAME DAY SHIPPING ON MOST UPS ORDERS OVER \$50 MINIMUM PURCHASE WITHIN THE CONTIGUOUS U.S.A.

GIFT CERTIFICATES AVAILABLE

VISIT OUR WEBSITE AT: HTTP://WWW.INTERNATIONALTOOL.COM

Makita	
6095DWE	9.6V CDSL DRILL KIT W/2 BAT 129
6172DWE	7.2V CORDLESS KIT W/2 BAT ... 99
LS1011	10" COMPOUND MITER 449
LS1211	12" COMPOUND MITER 769

DELTA	
22-540	12" BENCH TOP PLANNER 364
28-185	BENCH TOP BAND SAW 168
31-460	4" BELT6" DISC SANDER 137
37-070	NEW 6" VS BENCH JOINTER 279
40-540	16" SCROLL SAW, VAR SPEED 192

DEWALT	
DW423	5" DSTLS RNDM ORB VS SNDR, V/CRO ... 93
DW615	1 1/4 HP PLUNGE ROUTER, VAR SP 163
DW621	2 HP VS DUSTLESS PLUNGE ROUTER ... 218
DW625	3 HP HVY DTY PLUNGE RTR, VAR SP ... 284
DW682K	BISCUIT JOINER KIT 199
DW936K	18V CORDLS CIRCULAR SAW KIT 248
DW972K2	NEW 12V CORDLS KIT/W BATT & CS 188
DW972KS2	12V CDSL DRILL & CIRC SAW KIT 274
DW991K2	14.4V CORDLESS DRILL KIT W/2 BAT ... 224
DW991KS2	14.4V CDSL DRILL & CIRC SAW KIT ... 348
DW995K	18V 1/2" DRILL W/BATT, CHRGR & CS ... 238

SCMI	
SC3	SLIDING TABLE PANEL SAW CALL
S45	18" BAND SAW CALL
CALL FOR PRICES ON ALL SCMI MACHINERY	
RYOBI	
AP12	12" PORTABLE W/CS 388
DC500K	10" X 24" FLAT TOP RIP BLADE 36
DC500K	10" X 50T ATB COMBO BLADE 40
DC5200K	10" X 80 T ATB FOR MIRROR FINISH 58
HT20VSK	8" SAFETY DADO WITH CASE 116
DBJ50	DETAIL BISCUIT JOINER 69

fret	
JS100	BISCUIT JOINER 167
FT2000E	3 1/4 hp VS PLUNGERROUTER 204
LM72M010	10" X 24" FLAT TOP RIP BLADE 36
LU84M010	10" X 50T ATB COMBO BLADE 40
LU85M010	10" X 80 T ATB FOR MIRROR FINISH 58
SD308	8" SAFETY DADO WITH CASE 116
SD508	NEW 8" SUPER DADO SET 167

Woodworker's Marketplace

This section features advertisers offering products by mail. Additional information can be found in the Woodworker's Resource section. Please contact the advertiser directly or use the Circle No. to the right of each ad to request information through the Woodworker's Resource envelope.

 Print this article

WOODTURNING PROJECTS
SUPPLIES & ACCESSORIES

PSI KIT SALE!

- Pen Making Kits
- Oil Lamp Candles
- Hourglasses
- Coffee Grinder
- Letter Openers
- Mirrors & more...

CARBA-TEC II MINI LATHE



• Variable Speed Motor
• Professional Quality

ONLY... \$269.95

PennState Industries
2850 COMLY RD., PHILADELPHIA, PA 19154
1-800-377-7297

FREE CATALOG

Circle No. 75

FREE BROCHURE!

★THE WOODWORKING SHOWS★
tools • supplies • education

VISIT THE SHOW NEAR YOU!

•Baltimore	•Houston	•Portland
•Cleveland	•Kansas City	•Seattle
•Chicago	•Milwaukee	•So. California
•Columbus	•New Hampshire	•St. Louis
•Denver	•No. California	•Twin Cities
•Detroit	•No. Jersey	•plus others!

Call 1-800/826-8257 for free brochure
Monday - Friday 8:30 am - 5 pm Pacific Time
e-mail: woodshow@earthlink.net

Circle No. 2900

FREE TOOL CATALOG
Helping You Become a Better Woodworker



highland hardware
Our giant tool catalog gives more than just manufacturer's specs. We provide detailed tool descriptions, useful techniques, as well as a schedule of educational seminars.

Call toll free for **FREE catalog**
1-888-500-4466

Visit us on the Internet at <http://www.highland-hardware.com>

Circle No. 870

FREE Clockmaking Catalog

Your Handcrafted Clocks Make Treasured Gifts!

Your complete source of clock-making supplies. Classic wall, mantel and grandfather designs available in kits or easy-to-follow plans. Clock movements, dials, pendulums, inserts and more. Kits are easy as 1-2-3. Sand, assemble and stain. It's that simple.



Win an Alaskan Cruise for two in our Create-A-Clock contest!

Send for your **FREE catalog today.**
Or call **1-800-556-2548.**

Name _____
Address _____
City _____
State _____ Zip _____

KLOCKKIT Dept. WD67
P.O. Box 636, Lake Geneva, WI 53147

Circle No. 2335

THE WOODTURNERS CATALOG



Features:
Woodfast Lathes
Vicmarc Mini Lathes
Artisan™ Pen and Project Kits
Henry Taylor Tools
McNaughton System
Dale Nish Workshops and much more....

Craft Supplies USA is the **Number One** source for the finest woodturning supplies, tools, and workshops with unsurpassed prices and service.

CALL TOLL FREE 1-800-551-8876 TO ORDER
a **FREE 88-page color copy of The Woodturners Catalog**

CRAFT SUPPLIES USA 1287 EAST 1120 SOUTH PROVO, UT 84606

Circle No. 830

Classic Heirloom Cradle



Two Cradle Plans
One for Babies
One for Dolls

You can easily build this classic cradle which will become a cherished family heirloom to pass from generation to generation. Two sizes available... Baby or Doll.

Full Size Plans
Baby size Plan (21 x 35) \$14.95 ppd.
Doll size Plan (10 x 18) \$8.95 ppd.

Spindles available in Oak or Maple. See our catalog which is sent free with your order.

M/C VISA orders call toll-free 1-800-292-8296
ARMOR Box 445 A, East Northport, NY 11731

Circle No. 315

Quality Kiln Drying

It's Easy and Affordable with a Nyle DH Kiln! Made in USA

Call for free facts on our compact, easy to use dehumidification kilns.

800-777-NYLE
<http://www.nyle.com>



Kilns from 300 BF and up!

FREE Booklet!
To learn more about drying lumber, call for a FREE copy.

nyle DRY KILN SYSTEMS
PO Box 1107 Bangor ME 04402-1107

Circle No. 1260

DON'T BUY A NEW TABLE SAW

You don't need to invest in a new saw for precision cutting! Just add a **VEGA Fence System** and / or **Mitre Gage**. You will be amazed at the results. VEGA fences are the easiest to install & the nicest to use. All feature a precision Micro Adjust. Don't settle for just any Saw Fence! Insist on VEGA for quality design at affordable prices. **MADE IN THE USA**

VEGA PRODUCTS
SANDERS
COPIERS
LATHES
FENCES
MOBILE BASES & MORE



INSIST ON THE BEST

VEGA Decatur Illinois 800.222.8342

Circle No. 1281

S. LaRose, Inc.
Watch, Clocks & Jewels

If you're building the outsides, we've got the insides! Call or write for our FREE clock parts catalog, #W2

S. LaRose, Inc.
 P.O. Box 21208
 3223 Yanceyville St.
 Greensboro, NC 27420
 (910) 621-1936

Circle No. 2375

PRECISION CUTTING FENCE ATTACHMENT

VAC - U - FENCE
 SAW GUIDE

VAC-U-FENCE holds a piece of wood, so you don't have to.

- Attaches to any table fence
- Creates safer operation
- Operates with a household or shop vac

To order or for more info call:
1-888-822-8336

www.vac-u-fence.com

RRR Safety Products • Tucson, Arizona 85713 • In Tucson Call 327-1998

"Able to rip stock securely without using hold-downs and featherboards."
American Woodworker, 12/96

"Especially helpful for ripping thin strips."
WOOD® Magazine, 2/97

"Ushering in a trend!"
Woodshop News, 11/96

WEATHER STATIONS

Professional-quality weather stations for home or industry.

Various models track temperature, wind, rain, evapotranspiration, heat-stress index, UV index, degree-days, and more. Priced from \$150⁰⁰.

For a free catalog of all our stations and accessories, call
1-800-678-3669

WM278G

Davis Instruments
 3465 Diablo Avenue, Hayward, CA 94545 • www.davisnet.com

Anderson™
BEDROOM ORGANIZER

FITS UNDER BOX SPRING UNDERBED DRESSER
 REPLACES BED FRAME CEDAR DRAWER LINERS
 6 FT. LONG DRAWER up to 16 DRAWERS

PUT A DRESSER UNDER ANY BED

Increase drawer storage with this beautiful, top quality, solid wood, dust proof, underbed dresser. Fits under any mattress. Shipped UPS

ORDER 48 PAGE CATALOG 621
1-800-782-4825

Circle No. 1795

Buckboard Bench Kit
 (Real Springs)

Kit Includes:
 Authentically designed steel springs that give a little, steel arms and backrails, complete hardware and full-size plans with detailed instructions. 42"Lx22"W, 18"H to Seat, 30"H to Back

Price: \$49⁰⁰ (Quantity discounts available)
 Pre-cut & drilled oak: \$70⁰⁰ Additional

The Roubesh Company
 PO Box 348A, Star City, IN 46985
800-847-4947

Visa, MC accepted. Price includes shipping UPS

Circle No. 1085

VAN DYKE'S RESTORERS

Supplies for woodworkers and antique restorers!

- Curved & bubble glass
- Roll top accessories
- Hoosier accessories
- Carvings & moldings
- Furniture components
- Over 1,000 Brass, Glass & Wooden Hardware items
- Much, Much More

Call or Write For Your **FREE** Catalog

1-800-843-3320
 Dept. 60047 • PO Box 278
 Woonsocket, SD 57385

Over 8,000 Items

Circle No. 2077

Heavy Glass Table Tops

FACTORY DIRECT DISCOUNT PRICING

- Table Tops
- Shelves
- Doors
- Display Cases
- Entertainment Centers
- Tempered Glass

WGB GLASS ■ SHAPES ■ THICKNESSES ■ EDGE DESIGNS

FOR FREE IDEA CATALOG AND PRICE LIST SEND POST CARD TO:
WGB GLASS 19785 W. 12 MILE RD., STE. 357
 SOUTHFIELD, MI 48076

TO PLACE ORDERS: CALL 1-800-288-6854

Circle No. 2079

TURNING TOOLS & SUPPLIES
 Largest & Best Selection - ANYWHERE

PENS/PENCILS
 Best Selection & Program - ANYWHERE

TURNING BLOCKS & SQUARES
 Best Selection - ANYWHERE

PEN BLANKS
 Biggest & Best Selection - ANYWHERE

WOODCRAFTERS
 OF OKLAHOMA

5700 S. Western - Oklahoma City, OK 73109
TOLL FREE 1-888-333-7513

Circle No. 2195

AMAZING SCROLLSAW FRETWORK PATTERNS
 Easy to advanced designs

Clocks Photo frames Jewelry boxes Candle holders Furniture

Silhouettes on Christmas religion farming western nature transportation & more.

Books Saw blades Hardwoods

FREE catalog
1-800-470-9090

WILDWOOD DESIGNS
 P.O. Box 676-WD
 Richland Center WI 53581

Circle No. 475

FREE SANDING BELTS
 BUY A DOZEN GET A DOZEN FREE

FULL MONEY BACK GUARANTEE!!

1x3017.95/doz + 12 free
 1x4218.50/doz + 12 free
 3x1818.95/doz + 12 free
 3x2119.95/doz + 12 free
 3x2421.95/doz + 12 free
 4x2124.95/doz + 12 free
 4x2425.95/doz + 12 free
 4x3635.95/doz + 12 free
 6x4840.95/1/2doz + 6 free
 6x8966.95/1/2doz + 6 free

Grits available: 36X to 320X
 All belts A/O Resin Bond Cloth w/bi-directional butt splice

Full Line of 9x11 Sheets

ALSO AVAILABLE: Stroke Sanding Belts; Belt Cleaning Sticks; Inflatable Drums and Sleeves; Cloth/Paper Discs (PSA/Hook & Loop) Drum Sanding Rolls; Wide Cloth and Paper Belts or any size belt you may require and MUCH MUCH MORE!!

Call For Price Quotes • Orders • Free Catalog

Please add \$5.00 S & H / PA Residents add 6% Sales Tax

• • • Money Orders • Checks

1-800-428-2222
 Mon. - Fri. 8am - 4:30pm EST

Fax: 1-610-378-4868
 Anytime

INDUSTRIAL ABRASIVES CO. 642 N. 8th St. Dept. W
 P.O. Box 14955
 Reading, PA 19612

Circle No. 1976

THE SCROLLER'S SUPPLY STORE

Call 1-800-487-2623 Today!

rbindustries
 1801 Vine St., Harrisonville, MO 64701
 www.rbiwoodtools.com/

GC06

Circle No. 84

Attention: Woodworkers



FREE WOODWORKING PLANS

3 FREE Project Plans

*Send \$2.00 for our catalog and we will include a **FREE** project plan featuring **FULL SIZE** patterns for the coat rack, birdhouse and hanging pot holder projects illustrated above. (Reg. Price \$7.99) Our 84 page full color catalog offers over 800 woodworking plans you can purchase. We have plans for wind chimes, birdhouses, furniture, scroll saw projects, toys, lamps, whirligigs and many other award winning projects.

I am enclosing \$2.00. Please send catalog and plan for three projects.

Name _____

Address _____

City _____ State _____ Zip _____

Meisel Hardware Specialties
P.O. Box 70 W
Mound, MN 55364-0070

Make Your Own Lumber!

WITH A WOOD-MIZER PORTABLE SAWMILL

• Sawing your own lumber lowers costs and improves quality. *LT25 mills without trailer from:*
\$7205!
 *Catalog has mill specs
 *Plans subject to change without notice



Over 15,000 Sawmills World-Wide!
1-800-553-0219
 EIGHT BRANCHES IN CANADA AND THE U.S.A.
 Wood-Mizer Products, Inc. 8180 W. 10th St., Dept. 00108, Indpls., IN 46214-2400

Woodworkers Wanted!

The Smithy 3-in-1 lathe-mill-drill gives you all 3 basic machine tools for working metal, plastic, or wood in one easy-to-use benchtop machine. Smithy can help you do it yourself. Call for your **FREE Info Pak & video.**



FREE Machining Basics video
1-800-345-6342
 Ask for operator WOOD-M5
 Dept. WOOD-M5 PO Box 1517
 Ann Arbor, MI 48106-1517



Full-Size Professional Plan MORRIS CHAIR

Build this comfortable chair with wide bow arms and adjustable 3-position back. An excellent example for the Arts & Crafts Style. Dimensions: 33" wide, 38½" high and 38¾" deep.



• Plan #724 (postpaid) \$19.50
 • Catalog (free with order) 3.00

Fine Furniture Plans Since 1968
FURNITURE DESIGNS, INC., Dept. BC-67
 1827 Elmdale Ave., Glenview, IL 60025
1-800-657-7692



FREE TOOL CATALOG!

Your Best Work Starts With Us!

With over 4,000 of the finest woodworking tools in the world, Woodcraft can help you work more efficiently and skillfully than ever. Call for your Free copy today.



1-800-542-9115
WOODCRAFT®
 210 Wood County Industrial Park Dept. 97W105T
 PO Box 1686, Parkersburg, WV 26102-1686

The amazing walk-behind brush cutter! The DR® FIELD and BRUSH MOWER

CLEAR & MAINTAINS meadows, pastures, woodlots, wooded and rough non-lawn areas with ease. **CUTS** tall grass, weeds, brambles, tough brush and saplings up to 1" thick.

CHOPS/MULCHES most everything it cuts. Leaves **NO TANGLE** of brush to pick up like hand-held brushcutters and sicklebar mowers. Perfect for low-maintenance wildflower meadows, European-style woodlots, walking paths, or any area you only want to mow once a month or once a season!

- Self-Propelled
- Mows up to 1/2 acre per hour!
- Optional Electric-Starting
- 8 HP



MADE IN USA

Toll FREE 1(800) 796-7474

Please mail this coupon **TODAY** for complete **FREE DETAILS** of the **DR® FIELD and BRUSH MOWER** including prices, specifications of Manual and **ELECTRIC-STARTING** Models, and "Off-Season" Savings now in effect. There is no obligation.

Name _____
 Address _____
 City _____ State _____ Zip _____
 To: **COUNTRY HOME PRODUCTS®**, Dept. 2328F
 Meigs Road, P.O. Box 25, Vergennes, VT 05491

RIP SAW

The Portable Sawmill.

The "affordable portable" one man band sawmill. Weighs only 45 lbs. Cuts 20" diameter logs into lumber. Minimum 1/8" to maximum 9" thickness. 14"W x 9"H throat capacity. Write or call for free brochure. Videos also available.



Better Built CORPORATION
 (508) 657-5636
 789 Woburn St., Dept. W5/6, Wilmington, MA 01887



Scroll Saw Projects



The Hottest new patterns, techniques, tips and ideas!

Patrick Spielman's full-color, 16-page, bi-monthly newsletter. Order your 1-year subscription for only \$19.95 or a sample issue and book catalog for \$1.00.

Send to: Spielman Publishing Co.,
 PO Box 867-W, Fish Creek, WI 54212-0867

ONE-MAN SAWMILL

Turns Your Timber Into **CASH!**



30-Day Free Trial!

Call NOW for FREE FACTS!
1-800-942-4406 ext. SW43
TIMBERKING, INC. Dept. SW43
1431 N. TOPPING, KANSAS CITY, MO 64120



Bow Back Bench & Chair Plans \$15.95



Octagon Picnic Table Plans \$16.75
 29" h x 77" w x 85" l

Specialty Furniture Designs

797 W. Remus Road, Dept. W-43
 Mt. Pleasant, MI 48858
1-800-892-4026

Visa/MC/Discover Accepted
Color Catalog \$3.00 FREE with order. MI - 6%

OWN THE ULTIMATE HOME SHOP

Do the work of ten tools with one compact, affordable machine

- Work on wood—and metal or plastic
- Easy and fun to use
- Built to last a lifetime



SUPER SHOP

10 tools in 1

WOOD		METAL
34" Lathe	Drill press	Lathe
12" Table saw	Router	Mill
12" Disc sander	Router Shaper	Drill
Horizontal boring		

FREE Info Pak

1-800-345-6342

Ask for Dept. WDW5

or write **Smithy**, Dept. WDW5, PO Box 1517, Ann Arbor, MI 48106-1517

Circle No. 99

FREE WOODWORKER'S CATALOG



Over 5000 products to **BUILD, REPAIR, RESTORE, REFINISH** anything made of wood!

- lumber • veneers • inlays • moldings
- carvings • tools • hardware • glues
- finishes • books • plans • ...and more

CALL TOLL FREE **1-800-223-8087**



CONSTANTINE

Serving Woodworkers Since 1812

2050 Eastchester Rd., Dpt. 35705, Bronx NY 10461

Circle No. 20, 110

OVER 1500 PATTERNS

Huge variety of FULL SIZE woodcraft patterns!

Fun • Profitable • Fast Service • Guaranteed

✓ Pick from our most popular pattern sets & order today!

- EACH SET INCLUDES:**
- ✓ 125 Pattern BEGINNER'S BONANZA plus "Shop Secrets".
 - ✓ SHOW STOPPERS II - 22 Craft Show best-sellers!
 - ✓ 25 fun & profitable "wind-action" WHIRRIGGS.
 - ✓ YARD CHARACTERS - Amish, Dutch, bending lady, more!
 - ✓ Eye-catching DUTCH WINDMILL - 5 feet tall.
 - ✓ COUNTRY CRITTERS - 100 Patterns, decorative projects.
 - ✓ Over 30 CHRISTMAS decorations & centerpieces!
 - ✓ 200 CREATIVE CUT patterns for scroll, band or jigsaw.
 - ✓ Decorative country SHELF ASSORTMENT, many options!
 - ✓ COUNTRY CLASSICS - 25 top-selling country designs.
 - ✓ Create over 20 "Quick & Easy" BIRD HOUSES.
 - ✓ 100 YARD ORNAMENTS - Animals, bird, signs & more!
- Full Size Patterns
Sketches
Step by Step Instructions
Painting & Finishing Info
Plus Tips & Techniques!
- FREE S&H!**

ACCENTS Dept. MA67 P.O. Box 7387 Gonic, NH 03839

Send \$8.00 per set or...SAVE! Pick 3 for \$19.50 • 6 for \$36.00 or All 12 for only \$60.00!!!

CALL TODAY! 24 Hr. Fax-Voice Mail (603) 332-4579 Mention offer # MA67

Circle No. 310

Quality MECHANISMS For Making WOODEN BARREL

- ✦ Pens
- ✦ Pencils
- ✦ Roller Balls
- ✦ Fountain Pens

plus other related items.

Wholesale/Retail

Call or Write:

BereaHardWoods..

6367 Eastland Rd. Brookpark, Ohio 44142
216-234-7949 Master Card/Visa

Circle No. 510, 1900

Wood Moisture Meter

Professionals and hobbyists can choose from 8 different Mini-Ligno moisture meters:

Versatile Affordable Sturdy!
Over 100,000 units sold.

Also introducing New Mini-Ligno XL

For brochure contact:

Lignomat USA, Ltd. PO Box 30145
503/257-8957 800/227-2105 Portland, OR 97230



Circle No. 1250

SCROLL SAWING BLADES

BEST PRICES ON OLSON BLADES!

• Plain-end • 5" Long

- ✦ **SKIP TOOTH BLADES**
#OB-5, #OB-7, #OB-9
\$3.00/doz...\$24.00/gross
- ✦ **REVERSE SKIP TOOTH BLADES**
#OB-5R, #OB-7R, #OB-9R
\$3.50/doz...\$28.80/gross
- ✦ **PRECISION GROUND TOOTH BLADES**
#OBP-5, #OBP-7, #OBP-9
\$5.75/doz...\$57.00/gross

\$4.00 Shipping & Handling per order
WA residents add 7.7% sales tax
Visa, MC, DC, check, MO accepted
Other sizes available through catalog

800-206-9009 - THE BERRY BASKET

P O BOX 925-W22 • CENTRALIA, WA 98531
Fax 360-736-7336

Circle No. 323

All-In-One



VERTICAL MOUNT

HORIZONTAL MOUNT

Drum Sander \$59⁹⁵ + s/h

A Drum Sander Using Recycled Variable Size Containers™

SodaSander™ 1-800-422-5048

Circle No. 79

Spiral Stairs Buy Factory Direct

Fast Quotes by Phone & Fax
800-368-8280

Low Prices High Quality

FREE BROCHURE
800-368-8280
610-631-1360



SALTER INDUSTRIES
Job Delivery, Coast to Coast

Circle No. 1995

DR® TRIMMER ON WHEELS!

The DR® TRIMMER/MOWER™ rolls "light as a feather" on two BIG WHEELS!

• TRIMS far easier than hand-held trimmers, because the wheels carry the weight.

• Plus, MOWS whole lawns, waist-high grass and weeds, even rough, rocky areas that would destroy any ordinary steel-bladed mower!

• A delight for anyone to use!



Toll FREE 1(800) 796-7474

TRY FOR 30 DAYS RISK FREE!

Please mail this coupon today for FREE DETAILS about the Revolutionary DR® TRIMMER/MOWER™ including prices of Manual and Electric-Starting Models, "Off-Season" Savings now in effect, and 30-Day Risk-Free Home Trial.

Name _____ WOO

Address _____

City _____ State _____ ZIP _____

To: **COUNTRY HOME PRODUCTS**, Dept. 2328
Meigs Road, P.O. Box 25, Vergennes, VT 05491

© 1997 CHP, Inc.

Secure the contents of your truck bed with the **ROLL-TOP-COVER™**



- Padded Leather-grain Top
- All Aluminum Undercarriage
- Key Lock Security • Fingertip Access
- Affordably Priced

PACE EDWARDS

For the dealer nearest you Call Toll Free!

1-888-ROLL-TOP
PACE-EDWARDS CO.
2400 Commercial Blvd.
Centralia, WA 98531

PROJECT-OF-THE-MONTH
<http://www.craftpatterns.com>

Potting Bench Plans...\$10.45 ppd.

You can make this potting bench in just one day. Parts are easy to cut out from FULL-SIZE drawings and assemble with screws and a few bolts. The 22" by 42" wide bench top is a comfortable 34" high and provides ample space for potting and seeding work. An opening may be cut in the bench top for a plastic tub that will hold up to 25 pounds of potting soil. 51" high.



CRAFT PATTERNS
 Dept. WM
 3545 Stern Ave
 St. Charles, IL 60174

CALL TOLL-FREE ANYTIME
1-800-747-1429
 24-HOUR ORDER LINE

Circle No. 325

FROM LOG TO LUMBER
 with the *Alaskan Saw Mill* attachment
 (available in 24", 30", 48" and 56" sizes)

CUT LUMBER ON SITE WITH THE ALASKAN MKIII: BEAMS, BOARDS, SIDING AND CUSTOM CUTS.

RIPPING CHAIN AND OILER KITS ALSO AVAILABLE



GRANBERG INTERNATIONAL

PO BOX 425
 RICHMOND, CA
 94807-70425

PHONE 510.237.2099
 OUTSIDE CA. 800.233.6499
 FAX 510.237.1667
 E-MAIL granberg@aol.com

Circle No. 52

WIRELESS DRIVEWAY ALARM



A bell rings in your house anytime someone walks or drives into your place.

- Free Literature -

A complete line of wireless security equipment.

DAKOTA ALERT, INC.

BOX 130, ELK POINT, SD 57025
Ph: 605-356-2772

Circle No. 1914

EVOLUTION

THE WORLD'S BEST SAW FENCE

- *Welded steel construction (not bolted up aluminum that can be knocked out of accuracy)
- *Machine ground front rail—super accurate
- *18" T-SECTION, the widest in the world
- *Exclusive DUAL SCALE READOUT 1/16" & 3X Magnified 1/64" scales. (Our "poor man's digital readout")
- *MICRO ADJUSTMENT for precise control
- *Super slick UHMW side panels, (wood glides thru the cut)
- *Hydralr glides give you ball bearing easy movement left or right
- *Fits all brands, NO HOLES TO DRILL
- *Money back guarantee, lifetime guarantee



Credit Cards Accepted

800-386-5883



TECHNOLOGIES

3109 N. Cascade Ave. #204 Colo. Spgs., CO 80907 fax 719-635-2544

Circle No. 1253

HARDWOODS

Quality Hardwoods from Around the World
 OVER 100 EXOTIC & DOMESTIC SPECIES
 LUMBER • VENEERS • TURNING STOCK

- * Certified Timbers from *
- * Environmentally Sound Sources *
- * Quantity Discounts *
- * Prompt Shipping—Arranged Worldwide *
- * Custom Milling—Lumber Cut to Size *
- * All Inquiries Welcome *
- Call or Write for a Free Catalog
- * Satisfaction Guaranteed *

Visit us on the World Wide Web for Specials, Current Prices, and Complete Wood Descriptions
www.woodworkerssource.com
 e-mail: wvs@woodworkerssource.com



1-800-423-2450
WOODWORKERS Source
 5402 S. 40th St. • Phoenix, AZ 85040
 602-437-4415 • FAX 602-437-3819

Circle No. 598, 2090

Introducing the Revolutionary **DR® POWER WAGON™**



• HAULS UP TO 800 LBS. with never-before-ease! • BIG POWER-DRIVEN WHEELS & 4 speed transaxle lets you move slow or fast over rough or smooth terrain. POWER REVERSE gets you out of tight spots!

CALL TOLL FREE 1(800) 796-7474

• Dump bed makes for easy unloading of gravel, soil, firewood, and rocks. • Made to order for suburban/rural property owners, plus businesses of any size; pays for itself over and over in time and labor saved!

Please mail this coupon today for FREE DETAILS about the Revolutionary DR® POWERWAGON™ including prices and specifications of Manual- and Electric-Starting Models, and "Off-Season" Savings now in effect. There is no obligation.

Name _____ Address _____ City _____ State _____ ZIP _____
 To: COUNTRY HOME PRODUCTS®, Dept. 2328N
 Meigs Road, P.O. Box 25, Vergennes, VT 05491

© 1997, C.H.P., Inc.

WOODWORKING BOOKS
 OVER 300 HARD TO FIND TITLES

Looking for information? We have it!

The Best Books on:

- CARPENTRY • BLACKSMITHING
- FURNITURE • CABINET MAKING
- STAIRBUILDING • JOINERY • CARVING
- COACHBUILDING • FINISHING
- WOOD & TIMBER • TOOLS
- TOYS & GAMES • TURNING • VIDEOS

Send for a FREE Catalog Subscription
SPECIALIST PUBLISHERS & BOOKSELLERS
LINDEN PUBLISHING
 SINCE 1977

3845 N. BLACKSTONE • FRESNO, CA 93726
 Visit Our Website at www.lindenpub.com

Circle No. 1140

The Japan Woodworker's Catalog is...

loaded with the best tools you can get your hands on. In our catalog you will find a huge selection of Japanese saws, waterstones, chisels, planes, carving tools, cutlery and books. Send \$2.00 for our catalog and supplements during the next two years.

THE JAPAN WOODWORKER
 1731 Clement E-32, Alameda, CA 94501
 Phone 1-800-537-7820

Circle No. 190

STEVE WALL LUMBER CO.

Quality Hardwoods and Woodworking machinery For The Craftsman and Educational Institutions

Ash	4/4	Select	2.15		\$ 73.00
Basswood	4/4	Select	1.80		\$ 59.00
Birch	4/4	Select	2.25		\$ 75.00
Butternut	4/4	1C	2.00		\$ 65.00
Cherry	4/4	Select	3.40		\$ 92.00
Hickory - Pecan	4/4	Select	1.85		\$ 67.00
Mahogany (Genuine)	4/4	Select	3.60		\$ 92.00
Maple (Hard)	4/4	Select	2.50		\$ 77.00
Maple (Soft)	4/4	Select	1.80		\$ 65.00
Poplar	4/4	Select	1.55		\$ 60.00
Red Oak	4/4	Select	2.35		\$ 76.00
Walnut	4/4	Select	3.25		\$ 91.00
White Oak	4/4	Select	2.35		\$ 75.00
Cedar (Aromatic Red)	4/4	1C+Btr.	1.60		\$ 62.00
Cypress	4/4	Select	2.15		\$ 70.00
White Pine	4/4	F.G.	1.10		\$ 51.00
Yellow Pine	4/4	Clear	1.60		\$ 61.00

Above prices are for 100' quantities of kilndried lumber sold by the Bd. Ft. FOB Mayodan, NC. Call for quantity discounts. Other sizes and grades available.

Above prices are 20 bd. ft. bundles of clear kilndried lumber 3"-10" wide • 3'-7" long (Random widths & lengths) Surfaced 2 sides or rough. Delivered UPS prepaid in the Continental U.S.

CUSTOM CABINET DOORS

Custom Raised Panel Doors and 1 Piece MDF Now Available.

4/4 Log Run Walnut
 100 Bdf. \$145

STEVE H. WALL LUMBER CO.

BOX 287
 MAYODAN, N.C. 27027
 910-427-0637
 1-800-633-4062
 FAX 910-427-7588

Send \$1.00 For Lumber Catalog

Circle No. 592

Supergrit® SANDPAPER

HOOK & LOOP



4 1/2"	8 Hole	\$10.00/50
5"	5 or 8 Hole	\$12.50/50
6"	6 Hole	\$17.50/50
5"	Solid "E"	\$15.00/50
6"	Solid "E"	\$18.00/50
12"	Solid "E"	\$12.00/6

BELTS—A.O. RESIN

1 x 30	\$.75	4 x 24	\$1.10
1 x 42	\$.75	4 x 36	\$1.40
3 x 21	\$.85	6 x 48	\$3.50
3 x 24	\$.90	6 x 89	\$6.20

SHEETS—9" x 11", A.O.

60D, 80D	\$14/50
100C	\$24/100
120C, 150C	\$23/100
180A, 220A	\$19/100



3M 4" Diam.
Paint & Rust
Stripper
Reg. \$7.50 ea.
Sale \$4.50 ea.
2+ \$4.00 ea.

DRUM SANDER

ABRASIVE ROLLS

Hook & Loop
Cloth/Paper
Width 1" to 6"

SAND-O-FLEX



\$18.50
Refills \$6.50 ea.

PC PROFILE SANDER SUPPLIES



H & L Diamonds
\$17.50/50
2 1/2" x 5 yd. P.S.A.
Rolls \$5.00 Ea.

GOLD MIRKA® PSA DISCS

5" & 6" Diam. "C" & "D" wt.
Reg. Price \$16—25/100
SALE 20% EXTRA FREE



Grits 60-320



RED HILL CORP. FREE 28 PAGE CATALOG & Incredible close-out sheets.
P.O. BOX 4234
GETTYSBURG, PA 17325 **800-822-4003**

SQUARE DRIVE SCREWS



Simply the Best

Square Drive Beats Driver Slippage
Deep Thread for Super Grip
Hardened Steel for Superior Strength
Made in the US or Canada!

Send \$5 for Samples, Catalog, & \$5 Off Coupon

McFEELY'S PO Box 11169 • Dept WD7E
SQUARE DRIVE SCREWS Lynchburg • VA • 24506-1169
Call Toll Free: 1-800-443-7937

Put some Uncommon tools to work for you and achieve Uncommon results!

Our tools are uncommon, and unmatched, in quality, variety and value. Over 60 pages of woodworking tools provide you with the largest selection of router tables and accessories available in the U.S., as well as, many other unique and useful tools. More than a catalog, it's also a wealth of information that will enlighten and inform anyone who works with wood.



WOODHAVEN

Call Today!
800-344-6657

501 West 1st Ave.
Durant, IA
52747-9729

NEW!

Scroll Saw 3-D Animal Patterns



These unique 3-D animals will look like you carved them.

- beginner to advanced
- easy to follow
- wide variety of patterns

Book is \$14.95 plus \$2.50 S/H, send check or money order to:

3-D Animal Patterns

c/o Zion Books • 10182 "I" Ave.,
Hesperia, CA 92345

or call: 909-923-1072

Make Your Workshop PAY OFF 'BIG!'



NOW!
Plane, Mold,
Sand and
Saw with
Infinitely
Variable
Power-Feed!

30-Day Free Trial!

FREE FACT KIT

1-800-821-6651 ext. PW18
WOODMASTER TOOLS, INC., DEPT. PW18
1431 N. TOPPING, KANSAS CITY, MO 64120

Makita

9741 Wheel Sander List \$694
75% OFF
SALE \$149.95

T220DW 9.6 V Cordless Staple Gun Kit	\$95
4303C Electronic Speed Control Jig Saw	\$179
3612C 3hp Pl. Router w/Brake	\$255
AF501 2" Brad Nailer	\$199
2012 12" Planer	\$569
2711 10" Table Saw	\$599
LS1011 10" Sliding Comp. Saw	\$425
4307D 7.2 V Cds Jig Saw	\$49

BOSTITCH

N60FN Kit Finish Nailer w/ Case & Nails
SALE \$298

BOSCH

NEW! 1295DH 5" Random Orbit Palm Sander/Polisher
SALE \$85.99
Swiftsand; dual range high production finishing

3610K 14.4 V Dbl Battery Drill Kit	\$189
3310K 12 V Driver Drill Kit	\$165
B7001 V/S Detail Sander	\$89
1638 Cut-Out Tool	\$69
1001VSR 3/8" V/S Drill	\$69
1613EVS 2 hp V/S Plunge Router	\$198
3725DVS 3.3 amp 5" Rand Orbit Sndr	\$149

1-800-262-5482

SAME DAY SHIPPING
FREE FREIGHT



P.O. Box 370
C.O.D. Whitewater, WI 53190

DeWALT

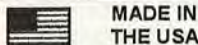
DW935K 5 1/4" 14.4 V Trim Saw Kit
SALE \$229.00

DW250 V/S Drywall Gun	\$89
DW412 2 Amp 1/4 Sheet Palm Sander	\$59
DW671 Tilt Base Laminate Trimmer	\$129
DW423 5" V/S Random Orbit Sander	\$90
DW621 2 H.P. V/S Plunge Router	\$218
DW952K-2 9.6 V 2 Battery Drill Kit	\$138
DW991K 14.4 V Cordless Drill Kit	\$199
DW991KS-2 14.4 V Drill / Saw Kit	\$345
DW995K 18 V 1/2" Driver Drill Kit	\$228

PRICES SLASHED!!

SAVE UP TO 50%

STEEL BUILDINGS



MADE IN THE USA

- Simple Construction
- 20 Year Warranty
- Easy Financing

Limited Time Offer

25' X 40' 30' X 50'
40' X 64' 50' X 100'

Low Monthly Payments!!



Workshop - Garage - Storage

AMERICAN STEEL SPAN

1-800-891-6733

24 HOURS

CALL NOW!!

SUPPLY IS LIMITED!!

GREAT ENCOURAGEMENT FOR SHIPWRIGHTS!



All gentlemen shipwrights and able bodied modelists who have a mind to provide for themselves amusement and satisfaction through the traditional craft of ship modeling, an opportunity now offers to acquire, through the minimal cost of one Colonial Dollar (\$1.00), a catalog of fine and unique ship model kits, plans, books and fittings from the renowned company of Model Expo located in Mt. Pocono in the state of Pennsylvania.

Send \$1.00 for a catalog to:

MODEL EXPO, INC.
Dept. WD67, PO Box 1000, Mt. Pocono, PA 18344

Name _____
Address _____
City _____
State _____ Zip _____

Circle No. 2450

Circle No. 1290

Circle No. 1267

Circle No. 48

Circle No. 1780

Circle No. 1075

FREE Shipping thru 6/30/97
 For INFO OR ORDER CALL 1-800-733-7111
10% to 20% OFF (Listed Items)
SUPER SPRING COMBO SALE

FREE \$45 IN SHARPENING COUPONS
 GOOD ON ALL FORREST OR OTHER MAKES OF CARBIDE
 BLADES OR DADO SETS. Coupons expire 12/31/98.
 Must mention *WOOD* magazine for discounts & coupons with purchase.

BONUS OFFER



OR 300 Great Shop Tips or Forrest Logo cap FREE with any saw blade or Dado listed & purchased from this ad. You must mention you saw this offer in *WOOD* Magazine, when ordering.
 Offer Expires June 30, 1997.
 One book per order.
ORDER NOW SUPPLIES ARE LIMITED.

BUY 1 BLADE OR DADO AT **10% OFF** SALE PRICE, OR
 BUY 2ND BLADE AT **20% OFF** (EQUAL OR LESSER VALUE)
15% OFF DADO AS SECOND CHOICE.

WOODWORKER II—6" - 7 1/4" - 14"

With this one ALL PURPOSE blade you can RIP & CROSSCUT 1"-2" ROCKHARDS and SOFTWOODS resulting in a SMOOTH AS SANDED surface. PLY-VENEERS of OAK and BIRCH will crosscut with NO BOTTOM SPLINTER at moderate feed rates.

- DOUBLE HARD and 40% STRONGER C-4 CARBIDE
- Ends blade changing
- Ends scratchy saw cuts
- Ends second-step finishing
- Ends cutting 1/16" oversize to allow for RESURFACING
- BUY AND SHARPEN 1 BLADE INSTEAD OF 3

5/8" holes, boring thru 1-1/4" add \$7.50. Larger at Time Basis —Shipping \$4.50

WOODWORKER II	LIST	SALE	10%	20%
14"X40TX1"	\$215	\$149	\$134	\$119
14"X30TX1"	\$195	\$139	\$125	\$111
12"X40TX1"	\$183	\$129	\$116	\$103
12"X30TX1"	\$162	\$119	\$107	\$95
10"X40TX1/8" or 3/32"	\$156	\$119	\$107	\$95
30T 1/8" or 3/32"	\$135	\$99	\$89	\$79
9"X40T	\$146	\$109	\$98	\$87
30T	\$125	\$99	\$89	\$79
*8-1/4"X40TX 3/32"	\$136	\$99	\$89	\$79
8"X40T 3/32"	\$136	\$99	\$89	\$79
30T	\$115	\$89	\$80	\$71
7-1/4"X30T 3/32"	\$112	\$69	\$62	\$55
**6"X40T 3/32"	\$136	\$89	\$80	\$71

*NEW for Sears & Makita Table Saws **New For Saw Boss

CUTTING PROBLEMS?

Call the factory for **FREE** technical help!!
1-800-733-7111

FLASH NEWS!!

OUR \$79 - \$89 30T & 40T OUTPERFORMED (E-EXCELLENT)
23 other 40T & 50T premium blades both foreign & domestic on Ply, Melamine, MDF and Oak/Rip!

Fine Woodworking Magazine test Oct. 96 page 43

After installing your blade and 5 in. stiffener the vibration in my saw went down another 20%. I ran several pieces of hardwood through the saw, both **crosscut** and **ripping**, and was amazed at the smoothness. It was like cutting butter, maybe smoother. I have never had a saw blade that **cut this smooth.**

Rick Price

CHOPMASTER FOR SLIDING COMPOUNDS & MITER SAWS

New specs, 5° Neg. Pts. & flat, runs out less than .002 for perfect, tight, smooth, splinter-free miter joints.

TAKE EXTRA 10% - 20% OFF COMBO SALE!

NEW SIZES AVAILABLE	LIST	SALE
Delta Sidekick 6-1/2"x40T x5/8"	\$149	\$ 89
Sears 8-1/4" & Delta 8-1/4"x60T x5/8"	\$170	\$ 99
Hitachi 8-1/2"x60T x5/8"	\$179	\$109
DeWalt 8-1/2" & Ryobi 8-1/2"x60T x5/8"	\$179	\$109
Delta 9"x80T x5/8"	\$204	\$119
Ryobi-Makita & all 10"x80T x5/8"	\$207	\$129
DeWalt, Makita, B&D, Hitachi 12"x80T x1"	\$229	\$139
Ryobi-Makita 14"x100T x1"	\$266	\$179
Hitachi 15"x100T x1"	\$277	\$189

For good general purpose cuts use Woodworker II 30T & 40T or Woodworker I. Use small stiffener where possible.

THE ONE BLADE THAT LEAVES A SMOOTH-AS-SANDED SURFACE!

SAVE ANOTHER **\$45 to \$90** AFTER USING SHARPENING COUPONS

WOODWORKER I - CROSSCUT — 7 1/4" - 14"
For TABLE and RADIAL SAW — 10% to 20%

	LIST	SALE
14"x60TX1"	\$224	\$159
12"x60TX1" or 5/8" 1/8"K	\$198	\$139
10"x60T x5/8" 3/32"K	\$162	\$129
8-1/4"X60T	\$150	\$109
8"X60T	\$150	\$109
7-1/4"X60T	\$150	\$109

OTHER SIZES AVAILABLE — 7 1/4" - 14"

DURALINE HI-A/T FOR TABLE & RADIAL SAWS ALL FLAT FACE

5/8" HOLES. Boring up to 1-1/4" \$7.50 extra. Larger holes-time basis. Shipping \$4.50.

Faster feed rates & absolute splinter control. Stops splintering on OAK/ BIRCH PLY VENEERS & MELAMINE.	SIZES AVAILABLE	LIST	SALE
	7-1/4"x60T x3/32" K	\$149	\$129
	8"x80T x1/8" & 3/32" K	\$202	\$169
	9"x80T x1/8" & 3/32" K	\$207	\$179
	10"x80T x1/8" & 3/32" K	\$207	\$159
Other sizes available	12"x80T x1-1/8"K	\$212	\$181

SPECIAL COMBO SALE EXTRA 10%-20% OFF

Above 1" bore standard.
CARBIDE IS THE HARDEST OF THE C-4 GRADES AND 40% STRONGER, NOT WEAKER!
 FOR 50% TO 300% LONGER LIFE.

Standard C-2 Carbide (below, left) and FORREST still sharp Oxidation and Corrosion Resistant Sub-Micron C-4 Carbide (below, right). Each shown after cutting 3,500 feet of MDF. Similar results obtained cutting particle board, melamine, and plywood.



STILL SHARP AFTER 3,500 FEET OF CUTTING!

BLADE DAMPENERS-STIFFENERS

FOR BETTER CUTS on all brands of blades, use our large 1/8" DAMPENERS-STIFFENERS against one side.

4"	\$21
5"	\$24
6"	\$25

7" AND LARGER AVAILABLE

REDUCES NOISE 50%-75%

WE RECOMMEND OUR FACTORY SHARPENING as some local sharpening creates problems with MICRO-CHIPPED EDGES reducing blade life & cutting quality. 2-4 DAYS ON THESE AND ALL MAKES OF FLAT FACE & CONCAVE CARBIDE TIP SAWS. Ship via UPS. Typical 10x40T \$17.00, 60T \$19.00. Add return UPS \$5.00, \$1.00 each additional blade.

FOR SPECIAL PRICE COUPONS MENTION *WOOD* MAGAZINE.

PHONE TOLL FREE! 1 (800) 733-7111 (In NJ: 201-473-5236) FAX: 201-471-3333

Fine American saw making & sharpening since 1946.
 DEALER INQUIRIES WELCOME

Quality is why we're different!

FORREST

(800) 733-7111 or (201) 473-5236

BUSINESS OPEN ACCOUNTS AVAILABLE



FL, NJ, NY Residents Please Add Sales Tax
 Shipping Charges with book:
 Sawblades \$9; Dado \$10; Stiffener \$2
 SATISFACTION GUARANTEED OR FULL CASH REFUND.

FORREST MANUFACTURING COMPANY, INC. • 461 RIVER ROAD, CLIFTON, NJ 07014 • FAX (201) 471-3333

1-800-CAL-SECO.ORDER ONLY

SK-28SP TILTING SPINDLE SHAPER

3HP, 1 or 3Ph,
1" or 3/4" spindle,
overload protection,
forward and
reverse switch,
30° spindle tilt,
3 speeds, optional
sliding tables and
1/2" spindle, 340 lbs.



SECO INVESTMENTS COMPANY

WOODWORKING DIVISION

9865 S. Pioneer Blvd., Santa Fe Springs, CA 90670
Tel: (310)949-7689 Fax: (310)949-6588

Circle No. 91

Shopsmith's MARK V makes woodworking EASY!

Sawing!
Sanding!
Other functions!

Turning!
Horizontal Boring!
Drilling!



FREE VIDEO & INFO!



Whether you're a beginner or experienced woodworker, the MARK V makes it easy to have fun and build your own family heirlooms! It's the tool you start with and the System you grow with! Find out how the MARK V makes woodworking easy. See how you can be the woodworker you've always dreamed of being! Get our FREE VIDEO & info!

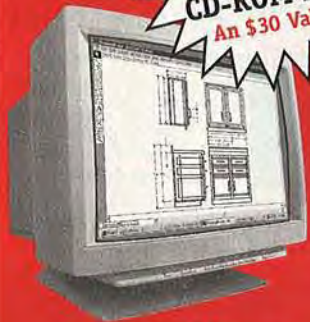
To get your FREE VIDEO & Info Kit, just call, write or e-mail us TODAY:

Shopsmith, Inc.
6530 Poe Ave., Dayton, OH 45414
1-800-543-7586
e-mail: <http://www.shopsmith.com>

Dept. WOD1

Circle No. 650

FREE Woods of the World CD-ROM Disc An \$30 Value!



From Award-Winning Ashlar Vellum CAD

- Smart Cursor Technology
- Menu Help Option
- Pop-up Tool Help Guide
- NURB Spline Curves
- Fractions, Decimals, Metrics
- Symbols Library Included
- 30-Day Money Back Guarantee

<http://www.mcesoft.com>
Toll-Free 800-392-3046

Easiest to Use or Your Money Back!

CAD



Need proof? Download our LT version of DrawingBoard from the web, use the Patented Drafting Assistant, and convince yourself!

Not an engineer? Neither are 90% of DrawingBoard users. Anyone can learn this intuitively easy program. Yet DrawingBoard CAD is the most powerful full-featured 2D program, and at the incredible low price of only \$145!

- Decks • Furniture • Home Office Design
- Landscaping • Home/Remodeling Plans
- Design Widgets & Whirligigs

Call TOLL FREE today to order! Visit our web site to get your FREE Sample Software.

DrawingBoard

Circle No. 1979



"QUALITY PERFORMANCE... WIDE RANGE OF DESIRABLE FEATURES... AT A FAIR PRICE."

BETTER HOMES AND GARDENS® WOOD®
OCTOBER, 1996

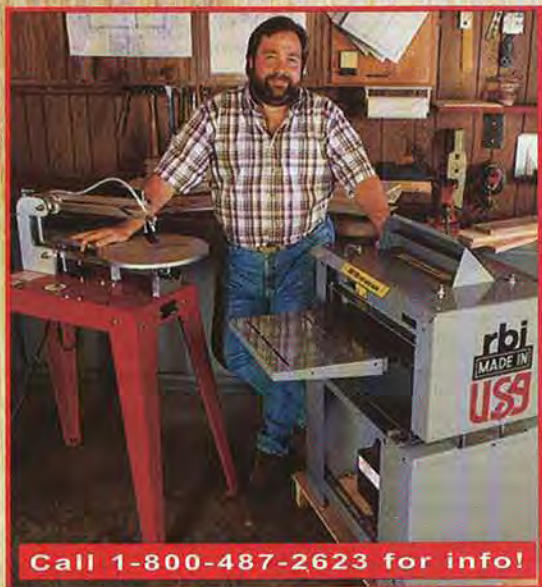
THE RBI HAWK ULTRA 220 SCROLL SAW

- ULTRA-SMOOTH CUTS
- QUICK RELEASE BLADE CLAMPS
- VISUAL BLADE TENSION SYSTEM
- EXCELLENT CUTTING CONTROL
- STACK CUT UP TO 2-5/8"
- VARIABLE SPEED CONTROL
- DC POWER AND TORQUE
- LARGE TABLE DESIGN
- HEAVY-DUTY STEEL LEGS



Visit the RBI Home page at <http://www.rbiwoodtools.com>

G106



Call 1-800-487-2623 for info!

rbindustries, inc.

America's Woodworking Machinery Manufacturer

1801 Vine Street • PO Box 369 Harrisonville, MO 64701

Copyright-1996 rbindustries. All rights reserved

**WOOD®
CLASSIFIED MART**
For rates: 1-800/424-3090 Fax 312/464-0512

BUSINESS OPPORTUNITIES

KITCHEN SAVERS INSTITUTE. Learn all aspects to start and operate successful independent business. No franchise fees - Save Thousands! Cabinet refacing and restoration workshop includes: Installation techniques, job pricing, suppliers, marketing and support services. 1-800/905-3980.

EDUCATION/INSTRUCTION

BE A LOCKSMITH Train at home for an exciting new career with ICS-Accredited Member of the Distance Education and Training Council. Call today for free information with absolutely no obligation: 1-800/595-5505, ext. 1199.

BE AN ELECTRICIAN. Train at home for an exciting new career with ICS-Accredited Member of the Distance Education and Training Council. Call today for free information with absolutely no obligation: 1-800/595-5505, ext. 1112.

FINISHING/RESTORATION

LINE BOXES EASILY. Spray-on suede, 31 colors. Free Brochure. DonJer Products, Ilene Court-Bldg. 8W, Bellemead, NJ 08502. 1-800/336-6537.

HELP WANTED

EASY WORK! EXCELLENT PAY! Assemble Products at Home. Call Toll Free 1-800-467-5566 EXT. 11856.

HARDWOODS/LUMBER

HENDERSONVILLE HARDWOODS OF NCI 25 years lumber expertise. Family management team emphasizes top quality Appalachian Hardwoods/Softwoods, professional service, best prices. Small UPS specials, or large carrier orders. Send for our brochure: Hendersonville Hardwoods, PO Box 268, Hendersonville, NC 28793. For information call: 704/697-2929.

MUSIC/SUPPLIES

PLANS, KITS, SUPPLIES for musical instruments: harps, dulcimers, psalteries, banjos, guitars, more. Musicmaker's Kits, Dept. B97, PO Box 2117, Stillwater, MN 55082. 612/439-9120.

PLANS/KITS/PATTERNS

THE FRAMER: Our company has a newly designed and patent pending product that can easily be constructed of available hardwood. This product will provide any woodworker, using a table saw and a router, the ability to make picture frames, bulletin boards, or the framework for kitchen cabinets and doors, including the slotting for biscuit joinery. Plans and construction instructions are available now. For pricing and further information send \$2.00 to: **The All Wood Co., Salem Bend Dr. P.O. Box 26520, Trotwood, OH 45426 / 937-837-0252. Allow 2-3 weeks for delivery.**

HAPPY HORSE! Heirloom quality Hobby Horse with leather bridle. Full size wood plans, leather bridle kit (black, red, or green). Easy instructions. \$19.95: Trailwood, 1840 41st Ave. #102-237, Capitola, CA 95010.

LOOKING FOR SOMETHING COMPLETELY DIFFERENT? Unique Scrollwork designs based on original artwork. All skill levels. Send \$1.00 for information: Drew Phillips, PO Box 4384, Carson, CA 90749.

CORNER SHELVES, FOOTSTOOLS, SHADOWBOXES! Complete kits, easy assembly! Color brochure \$2.00, circle shelf \$9.99 delivered! Craftkits-W, 122 Horning Road, Palatine Bridge, NY 13428.

WOOD PLANS, PATTERNS. Over 50 years of plans, some scroll, desk. Send \$6.00: George Rochier, 2101 Jean, Springdale, AR 72762.

PROJECTOR BLUE PRINTS Easy to follow. Trace small patterns into large ones. Send \$7.50 to: Russ Co., POB 65757, Vancouver, WA 98665.

SAWMILLS

CALL SAWMILL EXCHANGE to buy/sell used portable sawmills (Wood-Mizer, TimberKing, etc.) Also, "Portable Sawmill Encyclopedia," only \$14.95! 205/969-3963, <http://www.sawmill-exchange.com>

TOOLS/EQUIPMENT

DRY YOUR OWN LUMBER. Ebac's user friendly dry kilns 200BF-40,000BF. Mix species in same load. Great 3-year warranty. Over 6000 systems worldwide. Call Today. 1-800/433-9011.

ATTENTION CLASSIFIED ADVERTISERS

Now you can reach over 1,100,000 responsive woodworkers and do-it-yourselfers in the **WOOD® Classified Mart** section.

The next closing date is **April 7, 1997** in the July/August 1997 issue.

For rates and information call:
1-800/424-3090 • Fax: 312/464-0512
or write

WOOD® Classified Mart
500 North Michigan Avenue • Suite 2010
Chicago, IL 60611



JOINTECH®



ULTRA-PRECISION WOODWORKING SYSTEMS

IPM JOINERY SYSTEMS



This multi-patented system has been recognized by the experts as the *best* and the *easiest* to use to make dovetails and box joints plus, the best, all around patented dovetail incremental fence system you will ever own. Because IPM's accuracy is based upon a fine-threaded chrome lead screw, fine joinery is made easy and accurate cuts assured every time. Micro-adjustability even allows you to move the fence in thousandths of an inch increments.

CABINET MAKER'S SYSTEM



This one can do it all. All cabinet making operations can be accomplished with this **ONE SYSTEM**. **JOINTECH'S CabinetMaker's Systems®** include all the Joinery System components plus our award-winning **SmartFence®**. You don't have to be a master craftsman to build beautiful cabinetry, furniture or even jewelry boxes. Our 48 templates enable you to easily make every type of dovetail and box joint. SmartFence accommodates any cutter in your shop allowing you to make raised panels, rails & stiles, tongue & groove, face frame construction, drawer design, edge-work and more. **JOINTECH'S CabinetMaker's System** is simply the best investment in quality and at a very affordable price.



New Woodworker's Notebook
with Twelve Practical Projects
plus jigs, fixtures and more.

Packed with over 300 photos and illustrations, this book is a must for any woodworker (including Inca® owners).

Inca is a registered trademark of Taylor Design Group, Inc.



**CALL, WRITE OR FAX FOR A FREE BROCHURE
& SPECIAL INTRODUCTORY OFFER DETAILS!**

P.O. Box 790727 • San Antonio, Texas 78279
Toll Free: (800) 619-1288 • Fax: (210) 377-1282



Circle No. 610, 1249

NEW!

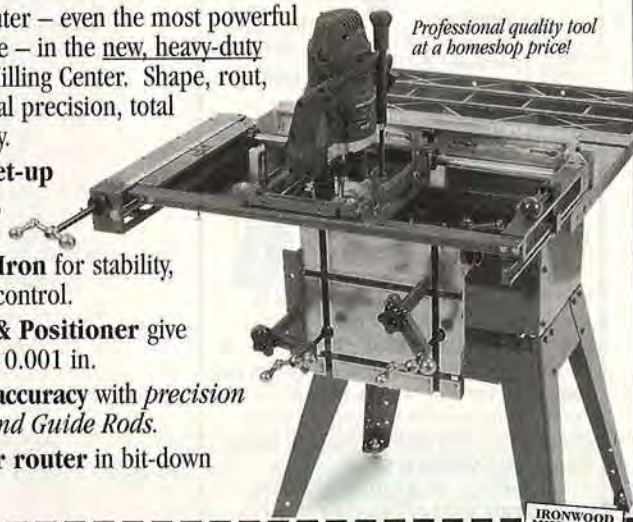
**AFFORDABLE, HIGH-PRECISION
WOOD MILLING CENTER!**

**Revolutionary IRONWOOD MILL•RIGHT
3-Axis Router Milling Center!**

Mount virtually any router – even the most powerful standard or plunge type – in the new, heavy-duty **MILL•RIGHT Router Milling Center**. Shape, rout, and join wood with total precision, total freedom, total creativity.

*Professional quality tool
at a homeshop price!*

- **Fast, repeatable set-up** without jigs, fixtures, templates, guides.
- **High-quality Cast Iron** for stability, noise and vibration control.
- **Precision Guides & Positioner** give micro-adjustment to 0.001 in.
- **You get control & accuracy** with *precision ACME Leadscrews and Guide Rods*.
- **Simply attach your router** in bit-down or bit-up position.



FREE CATALOG! PLUS...ask about our Demonstration Video!

CALL TOLL FREE 1-888-478-2453

Or write: **IRONWOOD MILL•RIGHT Wood Milling Center**
1737 Union St.-BOX 620, Dept. 109, Schenectady, NY 12309

Ext.122



© 1997, Positive Position, Inc.

Circle No. 83

STAINED GLASS

VIDEO & CATALOG



Improve the looks and value of your home with:

- Entry Doors and Sidelights
- Kitchen Cabinet Inserts
- Tiffany Style Lampshades

Save money and make it yourself - our video shows you how!

The perfect way to get started in stained glass. Our 25 minute video covers all the basics. Filled with clear, simple instructions, hints, close-ups, and examples to help you craft your own stained glass windows, lamps, and more. Package includes video, written instructions, plus 88 page full-color catalog. #6149VW...\$10.95 + \$3.00 shipping/hand.

To Order, Call Toll Free 1-800-248-2048



DELPHI
STAINED GLASS
Since 1972

2116 E. Michigan Ave.
Lansing, MI 48912

M11

INDUSTRIAL SANDING PRODUCTS



Did you ever think it would be possible to have access to the same sanding products that

the major furniture manufacturers use? Now, with the help of

KLINGSPOR'S SANDING CATALOGUE

you can use the same materials - without having to buy in large quantities or at outrageous prices.

Call, write or fax us for your **FREE catalog** and to get

The Most Sanding Power For Your Money!®

Klingspor's Sanding Catalogue

P O Box 3737 • Hickory, NC 28603-3737

Toll Free 1-800-228-0000
Toll Free Fax 1-800-872-2005

Circle No. 1240

One Stop Wood Shop

- Plywood & Veneer made to order (no min.)
- 30 species
- Custom Cutting
- Competitive Pricing
- We bundle & ship to U.S. & Canada
- Over 65 years of personal service

For catalog & quote: (617) 666-1340

Boulter Plywood Corp.

24-WD Broadway, Somerville, MA 02145

Where the finest cabinetmakers select & blend domestic & exotic hardwood in plywood, veneer & lumber.

Circle No. 512

WOOD

Having Fun Making Money...

A Dream Come True for Woodworkers.



For Keith Hone, a Utah native, making money and having fun go hand in hand. Using the new ultra high speed engraving technology developed by the Paragraphics Corporation, Keith can engrave beautiful designs on virtually any surface. The demand for this type of work is tremendous!

It's fast... and easier than you might think!

With an easy-to-use stencil system, you can transfer any design, artwork, or logo to any hard surface. By simply tracing lines using the Paragrade handpiece spinning at speeds of over 300,000 rpm, you can create beautiful carvings and engravings and the system does the work for you. It's that simple!



Call 1-800-624-7415 and get your demonstration video today to learn more about how you can make money and have fun too!

Paragraphics
CORPORATION

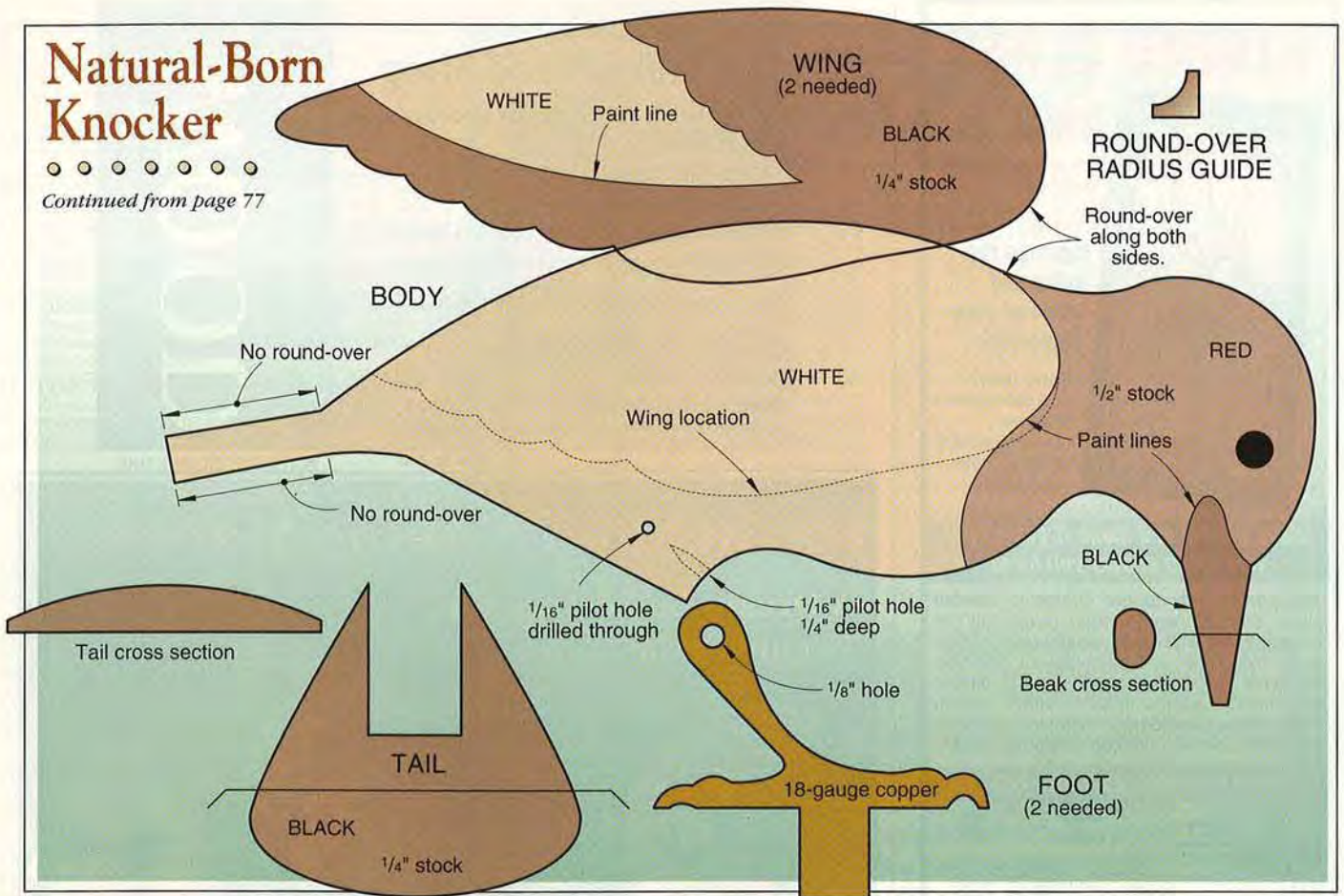
1-800-624-7415

1455 W. Center Orem, Ut 84057

Circle No. 2160

Natural-Born Knocker

Continued from page 77



SUPER VALUES!



M-3 Baby Power Feeder
Sale \$259 **COM-TEC**

- Perfect for table saws, router tables, and shapers
- 6.5 - 40 Ft./Min., Reversible

12-1/2" Benchtop Planer CT-340



- 12-1/2" x 6" Capacity
 - Four Post Support
 - Powerful 2HP Motor
- Sale \$349**



call for our

1-800-929-4321

SUNHILL has the best values on SystiMatic sawblades and Freeborn shaper cutters



Wide Belt Sanders • Power Feeders • Table Saws • Sawblades • Planers • Jointers
 Shapers • Shaper Cutters • Edge Sanders • Moulders • Dust Collectors
 Chisel Mortisers • Round Pole Sanders • Round Pole Milling • Finger Joint System

Free!
catalog
 Call for more great values!
 ALL MACHINES BACKED BY A FULL ONE YEAR WARRANTY

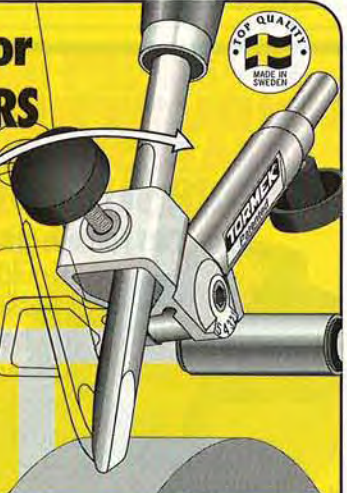


The Best Machinery Value in America.™

Sunhill Machinery, 500 Andover Park East, Seattle, WA 98188
 U.S.: 1-800-929-4321 / CANADA: 1-800-544-1361

TORMEK for WOOD TURNERS

NEW PATENTED Fingernail Gouge Jig



... permits woodturners to select cutting edge angle and length of side bevel on bowl or spindle gouges.

Plus other jigs for

- Skew chisels
- Roughing gouges
- Parting tools
- Scrapers (curved or straight)

THE ONLY COMPLETE WATER COOLED GRINDING AND SHARPENING SYSTEM

- for plane irons, chisels, spoke shaves, planer/jointer blades, knives, scissors, axes, turning tools and carving tools.

For full information and nearest stockist:
 United States: TORMEK 1-800-5-TORMEK
 United Kingdom: BriMarc 01926 493389
 Australia: PROMAC 07-3279-4811
 New Zealand W & R JACK 03-546-7479
 South Africa RECORD 011-422-2340



Dry 8/4 Red Oak in eight days!

Wood-Mizer's
Vacu-Kiln
dries wood
in days—
not weeks
or months!

The Wood-Mizer Vacu-Kiln is a self-contained 2,000 bd. ft.-capacity vacuum kiln that excels at drying any thickness of wood. Vacu-Kilns use a unique low-temperature/high vacuum system to dry 8-10 times faster than conventional kilns without degrade, warping, or checking. Short lengths and squares are handled easily because no sticking is required.

Isn't it time you experienced the quality and savings of drying your own lumber?

Call today for complete information and a free video.

1-800-553-0182

Wood-Mizer Products, Inc.

8180 West 10th Street, Dept. 00106-K, Indianapolis, IN 46214-2400
Circle No. 94

WAGNER
ELECTRONICS

Fathers Day Pro-Line Combo-Pak



Wagner L609 Moisture Meter

- Pin-Free
- 4-22%
- LED Reading
- 1/2 inch Depth

Woods of the World CD "Woodworkers Favorites"



- 35 Species
- PC or Mac Format
- 10 Minute Video
- Industry Tool

Thermo-Hygrometer



- Temperature
- Humidity
- Wall Hang
- Free Standing

ALL 3
FOR JUST... **\$173**

CALL NOW!
1-800-944-7078

Circle No. 1285

Lathe

The Sherline is the most versatile mini machinist lathe on the market. Perfect for production pen turning. Packages start at \$455. Purchase now and receive \$50 in free HUT merchandise.

HUT Specials



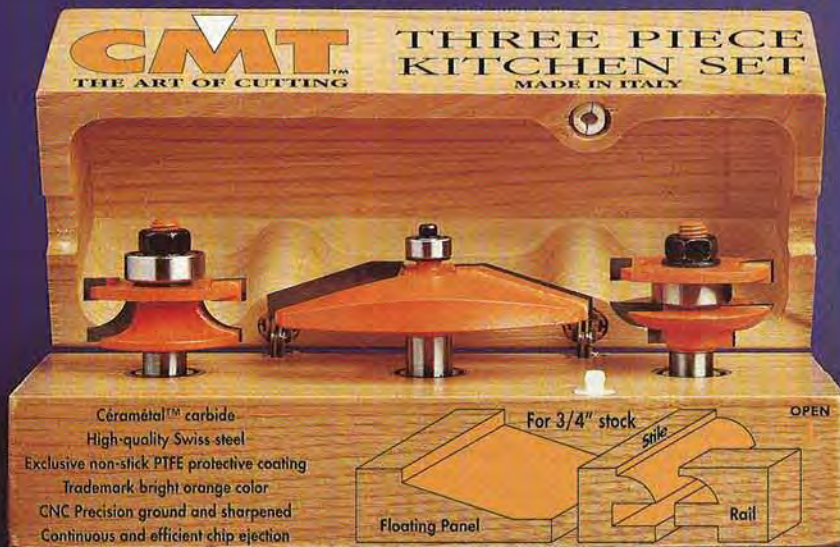
Pen Blanks

- Cocobolo/Bocote 20 - 1/2 x 6 blanks for \$9.95
- Stabilized Burl Blanks
- Cellulose Acetate Blanks
- Dymondwood
- Pen Mechanisms
- Turning Squares
- Bowl Blanks
- HUT Finishes

☎ HUT Products for Wood for free catalog 1-800-684-9371

Circle No. 230

UNLOCK YOUR TOOLBOX

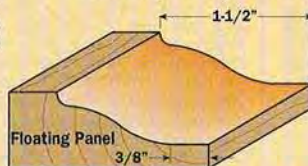


AND OPEN SOME NEW DOORS WITH THE CMT THREE PIECE KITCHEN SET.*

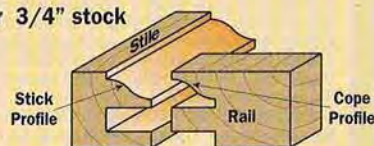
We make panel door construction in 3/4" stock easy and economical plus we give you three different profile options of Rail & Stile couple and Raised Panel bit to choose from.

And it all comes safely organized in our protective Italian hardwood case, so you'll probably have the nicest looking toolbox around.

Profile A
800.513.11

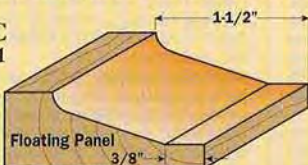


For 3/4" stock

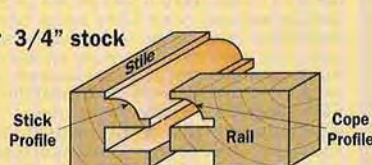


* PROFILE B 800.512.11 SHOWN IN PHOTO. OTHER OPTIONS INCLUDE PROFILE A AND PROFILE C

Profile C
800.514.11



For 3/4" stock



CMT USA, Inc. 307-F Pomona Drive Greensboro, NC 27407
Toll free 1-888-CMT-BITS - Free Fax 1-800-268-9778 - e-mail: cmtusa@aol.com

© CMT UTENSILI SRL - TM: CMT, THE CMT LOGO AND THE ORANGE COLOR APPLIED TO TOOL SURFACES ARE TRADEMARKS OF CMT UTENSILI SRL

Circle No. 1312

 Print this article

Woodworker's Resource

You can get useful ideas and product information by mail. Use the coupon in this section to order your choice of literature listed below. Each company mails the catalogs or information directly to you.

POWER TOOLS

SCROLL SAW, CRAFT & WOODWORKING CATALOG—Our 1997 catalog features all models of HEGNER Precision Scroll Saws, the consistent choice of the experts. The catalog also contains complete information on scroll saw blades and accessories, books, and patterns, as well as information on the HEGNER Lathes & Duplicators, HEGNER Accura Combination Machine, HEGNER Fingerjoint Machine, ZYLISS Vise and PLANO Glue Press. **ADVANCED MACHINERY**. \$1.00. *Circle No. 3.*

FREE WOODWORKING TOOL CATALOG—It may be your most valuable tool! Tool Crib of the North's 96-page catalog features the finest and most requested woodworking and construction tools available. Our knowledgeable sales staff, fast and efficient service, and guaranteed competitive pricing make Tool Crib of the North the place to start for your next project. **TOOL CRIB OF THE NORTH**. Free. *Circle No. 6.*

TRANSPOWER, CP TOOLS INC.—A fine line of quality woodworking machinery, saws, shapers, planers and more. Send for free catalog. **CP TOOLS INC.** Free. *Circle No. 15.*

TOOLS AND ACCESSORIES—120 page color catalog features Porter-Cable routers, sanders, pocket hole cutters, and biscuit joiners, Tormek grinders, Vega lathe duplicators and saw fences, Vacu-Presses plus a huge selection of power tool accessories. Best quality, fairly priced, every tool backed by our 184 years' experience and 60-day money-back guarantee. **CONSTANTINE'S**. Free. *Circle No. 20.*

NEW POWER TOOL ELIMINATES HAND SANDING—No more bloody knuckle, sore finger sanding. Unique sander, sands along edges and into corners, without bouncing off or running away. The secret is the distinct triangular sanding pad, combined with a high speed oscillation. German made. Brochure shows sander in action. **FEIN POWER TOOLS, INC.** \$1.00. *Circle No. 37.*

AT LAST! AN AFFORDABLE 14.4V CORDLESS DRILL—Forget paying \$200 or more for a quality 14.4-volt cordless drill. As part of a nationwide media campaign, the world's largest cordless drill manufacturer has authorized us to introduce their industrial 14.4v powerhouse at an unheard of \$69.95! Satisfaction guaranteed. **GREAT TOOLS DIRECT!** \$1.00. *Circle No. 43.*

HARBOR FREIGHT TOOLS CATALOG—The finest professional quality tools and equipment at the lowest prices...**GUARANTEED!** Our NEW Woodworking catalog has been expanded to contain hundreds of additional brand name woodworking tools & supplies. See why millions of woodworking professionals and Do-It-Yourselfers have shopped at Harbor Freight Tools for over 27 years. **HARBOR FREIGHT TOOLS**. Free. *Circle No. 46.*

HOME LUMBER—Ash, butternut, cherry, hickory, walnut flooring & paneling. Ironwood & paulownia decking. Delmhorst moisture meters. Calculated Industries scale masters. JDS AIRTECH 2000. Abatron Liquid Wood. Franklin glues. Minwax, General finishes. AllAbrasives. Amana carbides. Bostich, Paslode, Porter-Cable nailers. Bosch tools. Largest selection of DeWalt & Makita in USA. Same day shipping, free freight. Visa, MC. Discover. Catalog. **HOME LUMBER**. \$1.50. *Circle No. 48.*

INTERNATIONAL TOOL CORPORATION CATALOG—features the finest tools & accessories at the absolute lowest prices anywhere! Whether you're a home woodworker or an industrial user, you will find an incredible selection featuring Porter Cable, Bosch, Skil, Freud, Delta, Powermatic, Milwaukee, Makita, Hitachi, and many, many more. We offer same day shipping, the most knowledgeable sales staff and free shipping on most UPS orders in the contiguous U.S. **INTERNATIONAL TOOL CORP.** \$2.00. *Circle No. 49.*

ALASKAN SAW MILL ATTACHMENT—Granberg International manufactures a line of quality tools and accessories for grinding and filing chain saw chain, sharpening hedge trimmer blades, chain maintenance tools and horizontal and vertical saw mill attachments for your chain saw. Use the popular Alaskan Saw Mill attachment for milling lumber. Cut on site with the Alaskan and pro-

duce planks, beams, boards and slabs for building or woodworking projects. **GRANBERG INTERNATIONAL**. Free. *Circle No. 52.*

SURFACE PLANER—Information package available from Penn State Industries describing the specifications and applications of its super 12½ inch surface planer. Special discount pricing available on current promotion. **PENN STATE INDUSTRIES**. Free. *Circle No. 75.*

DUST COLLECTOR SYSTEMS—Keep your shop clean and safe from saw dust with one of our large capacity Commercial Style Dust Collection Systems. Catalog features our new DC-3 1-1/2 H.P. Portable System. Free hose and adapters are supplied with any purchase. Full line of Dust Collection accessories is available from Penn State Industries. Catalog. **PENN STATE INDUSTRIES**. Free. *Circle No. 75.*

CATALOGUE OF UNIQUE PRODUCTS FOR THE WOODWORKER—Filled with products and projects you can't find anywhere else. The 36-page full-color catalog features our complete line of Dust Collectors and accessories, Air Cleaners, Air nailers, Scroll Saws, Planers, and the exclusive Carbatec II variable speed mini-lathe and more. Explore our full line of projects and supplies including—pen kits, letter openers, perfume kits, kaleidoscopes, glass candles, project wood, and featuring the new and exclusive penlight flashlight kit. **PENN STATE INDUSTRIES**. Free. *Circle No. 75.*

SIMPLY THE BEST—Owners agree that the patented features and the exclusive technology of a Performax Drum Sander are unmatched. Whether your sanding needs are a few hours on the weekend or all day, every day, Performax has the model to fit your budget and your needs. Call us today, let's talk abrasive planing, dimensioning and fine finish sanding in your shop. **PERFORMAX PRODUCTS**. Free. *Circle No. 78.*

DRUM SANDER: UNIQUE, COST SAVING—Using plastic soda bottle as drum and sheet sandpaper with your power drill. Brass seals, water-filled for weight, cooling, firmness. Sanding surface 23% greater, 100% faster SFPM than belt sander. Hand-held, vertical through-the-table, and horizontal mount. **SANDACO CORP.** Free. *Circle No. 79.*

ROUTER MILLING CENTER—Turn your router into a precision wood milling machine with the innovative, patented Mill-Right from Ironwood Brand. Your router and the Mill-Right become a router table, panel raising machine, shaper, joint maker and more! Precision guides and precision lead screws let you mill wood with precision and repeatability. Cast iron construction. Use your plunge router for even great capability. **POSITIVE POSITION INC.** Free. *Circle No. 83.*

RBINDUSTRIES, WOODWORKING TOOLS & ACCESSORIES—100% Made in USA. The NEW 1996-1997 RBI catalog features the all new HAWK Precision ULTRA Scroll Saws, "4-in-1" and "3-in-1" Universal Woodplaner Systems, and 26" Variable Speed Drum Sander, 38" Drum Sander, the all NEW Panelmaster II Raised Panel Door Machine, Router Tables, Books, Accessories, Patterns, and Much More. When you buy from rbindustries, you're saving big money by buying factory-direct from one of America's premier woodworking tool manufacturers. We stand behind every piece of equipment we manufacturer with our exclusive 30-Day, Money Back Guarantee and 5-Year Warranty. Send today for your FREE catalog. **RBINDUSTRIES, INC.** Free. *Circle No. 84.*

THE ADVANTAGE—That's what you'll have over other woodworkers when you are using SECO MACHINERY. With choices of straight-line rip saws, wide belt sanders, dust collectors, power feeders, and lots...lots...more. Write today for a catalog of this woodworkers choice. See habla español. Dealer inquiries welcome. Send for catalog. **SECO INVESTMENT CO.** Free. *Circle No. 91.*

TOOLS ON SALE™—A division of Seven Corners Ace Hardware, Inc. offers a catalog of over 400 pages of the most popular brands of power tools available anywhere, all at discounted prices. Included are saws, planers, sanders, routers, drills and more from manufacturers such as Milwaukee, Makita, Porter Cable, Black & Decker, Dewalt, Freud, Bosch, Delta, and many more. Now introducing a full range of Werner brand ladders. Tools on Sale™ division of **SEVEN CORNERS ACE HARDWARE, INC.** \$1.00. *Circle No. 92.*

PORTABLE SAWMILLS—Convert logs into valuable lumber—Wood-Mizer® Products manufactures a line of portable bandsaw mills that allows the novice as well as the experienced sawyer to safely convert standing logs into lumber. Then, with the use of our SolaryDry™ Kiln or Vacu-Kiln™ to dry your lumber, you could increase the value of every board you produce. We manufacture some of the most progressive woodworking equipment on the market today. Product videos available. Send for our 31-page catalog. **WOOD-MIZER PRODUCTS**. \$2.00. *Circle No. 94.*

THE LATEST SUNHILL MACHINERY CATALOG—If you're looking for quality woodworking machinery at affordable prices, Sunhill has what you need. Table saws, planers, jointers, sanders, shaper cutters and more. All machines carry one year warranty. Catalog. **SUNHILL MACHINERY**. Free. *Circle No. 97.*

WOODWORKERS WANTED!—The Smithy 3-in-1 lathe-mill-drill gives you all 3 basic machine tools for working metal, plastic, or wood in one easy-to-use benchtop machine. Smithy can help you do it yourself. Free info pak & video. **SMITHY**. Free. *Circle No. 99.*

TORMEK—Made in Sweden, is an advanced water cooled grinding system for all types of edge tools. The system includes jigs to sharpen accurately and safely, electric planer knives, plane irons, chisels, turning tools, knives, scissors and axes. The SuperGrind stone works quickly without overheating the steel and the leather honing wheel is ideal for a razor sharp edge. **TORMEK**. Free. *Circle No. 101.*

HAND TOOLS

TOOLS THAT MAKE IT EASY!—Turning tools, carving tools, planes, scrapers, clamps, bits, squares, saws, stones, mallets, jigs—every tool you can think of and then some, in Constantine's 120-page full color catalog. **CONSTANTINE'S**. Free. *Circle No. 110.*

IMPROVE YOUR WOODWORKING SKILLS!—Craftsmen around the world have discovered the secret of better quality work. The 72 page Japan Woodworker Catalog is loaded with a huge selection of Japanese saws, waterstones, chisels, gouges, carving tools, planes, cutlery and garden tools. Send for 1992 catalog and all supplements for two years. **THE JAPAN WOODWORKER**. \$1.50. *Circle No. 190.*

STAINS/FINISHES

PERFECT PEN POLISH—NEW Developed for pens but great for any small lathe turned object. Pen Turning Manual, everything you need to know from wood selection to marketing. A complete line of pen making supplies—many styles of mechanisms, unusual pen turning materials such as dyed stabilized burls and spalted woods. Send for catalog of wood turning and pen supplies. **HUT PRODUCTS FOR WOOD**. \$1.00. *Circle No. 230.*

PLANS

PATTERNS! PATTERNS! PATTERNS!—Huge assortment of popular shop-tested designs! OVER 1500 top-quality FULL SIZE PATTERNS conveniently grouped into 78 jumbo blueprint sets. We've also included easy-to-follow instructions, sketches, material lists, painting & finishing info. PLUS tips & techniques! Beginner or pro will enjoy creating 100's of fun, profitable projects. Discount prices, fast service, satisfaction guaranteed! Illustrated catalog PLUS sample pattern. **ACCENTS IN PINE**. \$2.00. *Circle No. 310.*

WOODWORKERS' PLANS AND SUPPLIES—Wood projects are simplified with the high quality plans, specialty hardware and other supplies offered by Armor Products. Over 100 plans are available for making toys, desks, clocks, pool tables, lamps, chests, and other furniture. Movements, dials, moldings, ornaments, dollhouse kits, door hark supplies and tuning pins are also available. **ARMOR PRODUCTS**. \$1.00. *Circle No. 315.*

FREE SCROLL SAW PATTERN CATALOG—A beautiful full-color catalog showcasing our full line of woodworking patterns and accessories: shelves, mirrors, videos, books, baskets, blades, clocks, finials, drill bits, doll furniture, footswitches, and much, much more. Too much to list here—you just gotta send for one today! **THE BERRY BASKET**. Free. *Circle No. 323.*

"YOU CAN MAKE IT" CATALOG—This comprehensive 60-page catalog is one of the best resource books any woodworker can have. It shows hundreds of project plan ideas for indoor and outdoor furniture, outdoor structures, play gyms and playhouses, rocking horses, toys, doll houses, home improvement and a variety of woodworking books. The catalog also includes handy reference information on fasteners and a \$4.00 catalog rebate coupon. Request #WM96. **CRAFT PATTERNS, INC.** \$4.00. *Circle No. 326.*

FULL-SIZE FURNITURE PLANS CATALOG—Illustrates and describes over 200 plans for making furniture of quality found in fine furniture stores. Plans include rollout desk, cradles, beds, dining tables, chairs, buffets, chests, dressers, gun cabinets, Queen Anne lowboy and highboy, children's furniture, rocking horse, spinning wheels, Morris chair, Adirondack and English garden furniture and more. Bill of materials and exploded drawings assist the woodworker. Fine furniture plans since 1968. **FURNITURE DESIGNS, INC.** \$3.00. *Circle No. 345.*

WOODWORKERS—Send for our NEW color catalog with many exciting plans available. Five Futon designs (no special hardware needed), Arbors, Archways, Trellises, Fences, Gates, Lighthouse, Windmill, Wishing Wells, Bird Feeders & Houses, Octagon Picnic Table with walk through seating PLUS new Children's Design. Large selection Adirondack furniture including Tete-A-Tete, Rocking Glider (hardware available) and a variety of craft items. Full-size templates, material list, instructions and cutting diagram. **SPECIALTY FURNITURE DESIGNS**. \$3.00. Circle No. 445.

HOTTEST NEW SCROLL SAW PATTERNS AND TECHNIQUES—Check out "Patrick Spielman's Home Workshop News" a full-color, bi-monthly featuring trend-setting tips and ideas plus new project designs for scrolling fun and profit. Send just \$1.00 for a sample issue and a woodworking/pattern book. Catalog. **SPIELMAN PUBLISHING**. \$1.00. Circle No. 450.

WOOD TOY PATTERNS—Patterns for all ages including children's patterns and executive toys. New catalog has many new patterns to choose from including parts and wheels. Send for new catalog today. **TOYS AND JOYS**. \$1.00. Circle No. 465.

SCROLLSAW FRETWORK PATTERNS—& supplies catalog. From simple cutouts to 50" tall clocks. Over 300 patterns for the scroll saw enthusiast. Also clock movements, tools, books, plywood, hardwood, sawblades. Great projects for the hobbyist or for profit. Catalog. **WILDWOOD DESIGNS, INC.** Free. Circle No. 475.

LUMBER

QUALITY EXOTIC LUMBER/TURNING WOODS—We offer a comprehensive selection of fine quality exotic woods. Also available are mechanisms for making wood barrel pens/pencils/roller balls/fountain pens. Ebony, Kingwood, Tulipwood, Snakewood, African Blackwood, Cocobolo, Bloodwood, Figured Maple, Spalted Maple, Padauk, etc. Unique and unusual turning woods and burls are also available. Send for catalog. **BEREA HARDWOODS**. \$1.00. Circle No. 510.

ONE STOP WOOD SHOP—Domestic and exotic hard wood plywood and lumber, marine plywood, over 30 species in stock—all under one roof. Custom cutting services to your exact specifications with little or no waste at competitive prices! We specialize in bundling and shipping. Send for catalog. **BOULTER PLYWOOD CORP.** Free. Circle No. 512.

STEVE H. WALL LUMBER CO.—Quality hardwoods and woodworking machinery for the craftsman and educational institutions. 16-page catalog lists 17 species of popular hardwoods at wholesale prices. Also dealers for MiniMax, Freud and ProCut woodworking machines. **STEVE H. WALL LUMBER CO.** \$1.00. Circle No. 592.

HARDWOODS FROM AROUND THE WORLD—Over 100 exotic and domestic species. Lumber, veneers and turning stock. Certified timbers from environmentally sound sources. Quantity discounts, prompt shipping arranged worldwide, custom milling-lumber cut to size. All inquiries welcome. Satisfaction guaranteed. Send for catalog. **WOODWORKERS SOURCE**. \$1.00. Circle No. 598.

VIDEOS

JOINTECH CABINET MAKER'S SYSTEM VIDEO—Watch Dr. Roger Cliffe and Dave Morgan demonstrate this patented System that can perform every operation in furniture and cabinet making. See how easy it is to make raised panel doors plus techniques in making dovetails, box joints, drawer construction and even an intricate double-inlay joint. All the operations which would normally require the use of a shaper, router and a jointer can now be accomplished with the JOINTECH CabinetMaker's System. **JOINTECH, INC.** \$5.00. Circle No. 610.

LAGUNA TOOLS VIDEO—Learn why most European workshops are using a central machine center rather than separate machines. 90 min. video presentation of "The Intelligent One Man Shop, The Robland X 31". Send for video. **LAGUNA TOOLS**. \$6.00. Circle No. 615.

SHOPSMITH—The Shopsmith Mark V video kit will show you how you can be the woodworker you've always dreamed of being. You'll learn how to enjoy the many benefits of woodworking with the original 5-in-1 multipurpose woodworking system featuring sawing, drilling, sanding, boring, and turning. In one compact unit. **SHOPSMITH, INC.** Free. Circle No. 650.

GENERAL WOODWORKING CATALOGS

THE WOODTURNERS CATALOG—48 color pages of the finest woodturning tools, machinery and supplies available. Featuring Henry Taylor, Sorby, Richard Raffan and Dale Nish workshops. Catalog price refunded with order. **CRAFT SUPPLIES USA**. \$2.00. Circle No. 830.

GRIZZLY IMPORTS, INC.—Celebrate 1996 with our 178-page full-color catalog packed with an incredible

selection of quality machines, tools, and accessories at prices you can afford. We've added over 1,000 new items this year alone! Send for your free catalog today and start enjoying tremendous savings on all your woodworking needs. **GRIZZLY IMPORTS INC.** Free. Circle No. 860.

FREE WOODWORKING TOOL CATALOG—Helping you become a better woodworker. This giant catalog of hard-to-find woodworking tools and supplies gives more than just manufacturer's specs. Included are detailed tool descriptions, useful techniques, as well as a schedule of educational seminars. **HIGHLAND HARDWARE**. Free. Circle No. 870.

FINE PRODUCTS FOR THE WORKSHOP—Full-color catalog packed with workshop tools, plans, kits, and ideas to make your day in the workshop so much easier and more comfortable. Some items you can't find anywhere else. If you spend much time in your shop, this catalog is definitely worth a look. Free issue. **LEICHTUNG WORKSHOPS**. Free. Circle No. 878.

THE WOODCRAFT CATALOG—Our FREE catalog features over 5,000 of the finest quality woodworking tools, books, lumber and hardware, all at rock bottom prices. If that's not enough, Woodcraft also offers technical assistance, tool sharpening, and something that no one else can do—same day shipping and an unconditional guarantee! Order a FREE copy today. **WOODCRAFT SUPPLY CORP.** Free. Circle No. 955.

THE WOODWORKERS' STORE CATALOG—The catalog that helps woodworkers do it right! Discover over 200 new products, including exciting items for making computer desks, entertainment centers, kaleidoscopes and humidors. Many exclusives and hard-to-find specialties like unique hardwoods, solid brass hardware, kitchen organizers, lighting systems and innovative tools—just to name a few! Toll-free ordering. Satisfaction guaranteed! **THE WOODWORKERS' STORE**. Free. Circle No. 965.

BEST WOODWORKING CATALOG IN THE USA—Get a FREE catalog from the company rated #1 in mail order purchases among professional woodworkers by the 1995 "Woodworking in America Study™". Every 156-page issue is packed with over 6,000 products including machinery, hardware, finishes, abrasives, tools, and more. Serving professional and amateur woodworkers for over 24 years. **WOODWORKER'S SUPPLY, INC.** Free. Circle No. 970.

KITS

OUR QUEEN ANNE FURNITURE KITS—are ready to assemble and finish. They include dining room chairs, a variety of occasional tables, and a personal desk. All are made in solid cherry, oak, walnut, and mahogany. We also stock individual Queen Anne legs for every project. Complete information in our brochure packet. **ADAMS WOOD PRODUCTS**. Free. Circle No. 1002.

SHIP MODELING CATALOG—Historic Ship Models—Museum quality replicas you build yourself. Pre-cut wood-ens parts, metal and brass fittings, cloth sails, plans and instructions. Send for 80 page color catalog. **MODEL EXPO, INC.** \$1.00. Circle No. 1075.

BUCKBOARD BENCH KIT—Kit includes steel springs that give a little, metal arms and back rails, hardware, and full-size instructions. New matching trestle table kit. **THE ROUBUSH CO.** 50¢. Circle No. 1085.

PUBLICATIONS

THE WOODWORKERS LIBRARY—30 pages of the best books on carpentry, joinery, blacksmithing, carving, furniture, design, stairbuilding, wood turning, finishing, and wood and timber. Plus videos. Send \$1.00 for two-year catalog subscription. **LINDEN PUBLISHING**. \$1.00. Circle No. 1140.

HOTTEST NEW SCROLL SAW PATTERNS AND TECHNIQUES—Check out "Patrick Spielman's Home Workshop News" a full-color, bi-monthly featuring trend-setting tips and ideas plus new project designs for scrolling fun and profit. Send just \$1.00 for a sample issue and a woodworking/pattern book. Catalog. **SPIELMAN PUBLISHING**. \$1.00. Circle No. 1142.

SHOP ACCESSORIES

KLINGSPOR'S SANDING CATALOGUE—64 pages of industrial quality sanding products now offered to the home hobbyist at unbelievable low prices. Included are sanding & finishing machines, industrial sandpaper and shop helpers. **KLINGSPOR ABRASIVES, INC.** Free. Circle No. 1240.

JOINTECH ULTRA-PRECISION WOODWORKING SYSTEMS—Makes your router table an ultra-precise system to make beautiful and flawless box joints, as well as half-blind, sliding, and through dovetails, plus much more. Converts your table saw into a precision cutting machine with unequal speed and repeatability. Incremental positioning in $\frac{1}{32}$ ", and micro-adjustments in $\frac{1}{64}$ " and $.002$ " steps. Don't settle for less than the very best. Send for comparison chart, color brochure and name of nearest dealer. **JOINTECH**. Free. Circle No. 1249.

WOOD MOISTURE METER—Avoid moisture defects such as cracking, warping, splitting, delamination. The pin-type moisture meter "Mini-Ligno" can read surface or core moisture in any thickness of lumber, from veneer through heavy timbers. A flat surface is not necessarily required, thus the Mini works on rough sawn lumber and curved or round pieces. A most versatile instrument. Many hobbyists and professionals use the Mini-Ligno C or E/C with attachments to monitor lumber during air or kiln drying or use external electrode for depth readings. Catalogue describes complete line of moisture meters. **LIGNOMAT USA, LTD.** Free. Circle No. 1250.

ROUTER SPEED CONTROL—Reduces speed electronically without reducing torque. Route at the speed that gives best results with the wood and bit you are using. Speed adjustable from full speed to 0 RPM. Less tear out—stops burning—less wear on bits—easy to use. Send today for information. **MLCS LTD.** Free. Circle No. 1251.

LUMBER DRYING—Dry your own lumber using our equipment and your insulated chamber. Dehumidification systems from 300 BF to 45,000 BF. Easy to operate equipment offers high quality kiln-dried lumber for pennies per foot. These long-lasting made-in-the-USA units can pay for themselves in one month! Send for free catalog. **NYLE STANDARD DRYERS, INC.** Free. Circle No. 1260.

SUPERGRIT® SANDING/REFINISHING CATALOG CLOSE-OUT SHEET—Belts (aluminum oxide, silicone carbide zirconia), discs (plain, PSA, Hook & loop vacuum), sheets (cabinet, crocus, emery, non-loading, water-proof), rolls (cloth or hook & loop), bowl turning & lathe supplies, dust masks, scuff pads, tack cloths, tape. **RED HILL CORP.** Free. Circle No. 1267.

VEGA PRODUCT INFORMATION—Find out about the wide range of high quality woodworking machinery and accessories manufactured in the USA by Vega. Products include retro fit Table Saw Fences (3 models) with great accessories, Mitre Gauge, Tenon Jig, Sanders, Lathes (4 models) and Duplicating Equipment to fit any lathe. Vega's products feature innovative designs utilizing the finest materials. "Thoughtfully Designed Machines." **VEGA ENTERPRISES**. \$1.00. Circle No. 1281.

THE WORLD'S BEST TABLE SAW FENCE—Evolution & Pro-Rip manual saw fences for the hobbyist & professional user. Fits all table saws made. Welded steel, stress relieved construction, yet has all the features the other guys have ignored. Free catalog, 30 day money back guarantee. **VOSS TECHNOLOGIES, INC.** Free. Circle No. 1283.

"WOOD-FRIENDLY™ L606 MOISTURE METER"—uses advanced electromagnetic wave technology to accurately measure wood moisture content from 6% to 30% to a depth of $\frac{3}{4}$ ". No pins to "abuse" wood and leave ugly holes. Check out boards from top to bottom in just seconds before you buy and avoid the headaches of splitting, warpage, delamination and failed glue joints. The Wagner L606's convenient pocket size, easy-to-read analog meter, and low price make it a must for anyone working with wood. Literature. **WAGNER ELECTRONIC PRODUCTS, INC.** Free. Circle No. 1285.

UNCOMMON WOODWORKING TOOLS—American made quality router tables and fences, dovetail jigs, unique router biscuit joinery system, mortise machines, pin router, books, videos, commercial grade router bits and more. Buy from the manufacturer. Fast, friendly, knowledgeable service. **WOODHAVEN**. \$2.00. Circle No. 1290.

KEEP YOUR SHOP AND LUNGS CLEAN—Enjoy the benefits of a large yet mobile workbench. The Dust Eliminator Workbench removes dust from sanding before it becomes airborne. For dust created by other tools, common sense tells us that wood, even as dust, has weight and is affected by gravity making it more difficult to be collected above the woodworker's head. This is why it is much more efficient to collect dust particles at waist level. The workbench top is made of select and better grades of hard maple, the traditional choice of wood craftsmen. **WOODMARK**. \$1.00. Circle No. 1295.

BITS, BLADES, CUTTING TOOLS

ASK FOR CMT'S CATALOG AND WE'LL GIVE YOU \$10!—CMT Tools will send you our free, full-color router bit catalog and we'll give you a \$10.00 discount on your first order! CMT bits feature anti-kickback design, non-stick coatings and micrograin carbide cutting edges. Our catalog is packed with accessories, project ideas and safety tips—it's one catalog you'll want to keep! **CMT TOOLS, INC.** Free. Circle No. 1310.

FOUR-COLOR ROUTER BITS AND SAW BLADE CATALOGUES FROM CMT USA, INC.—Router bits and saw blades ideal for production work. Features include: Premium Fatigue-Proof™ steel machined from solid bar stock, anti-kickback design, sheer angle on cutting edges, CMX-4 micrograin carbide, radial relief on all straight bits, and a baked-on non-stick PTFE orange coating applied at 750°F. Saw blades have new sound-dampening channels laser-cut into the plate body of all 10" and larger blades, and anti-kickback shoulders. Router bits and blades come with sturdy hardened carrying case. Router bit sets are stored in a beautiful hinged hardwood case. **CMT USA, INC.** Free. Circle No. 1312.

FREUD—Premier line of carbide-tipped sawblades, router bits, shaper cutters and other woodworking tools. Freud offers a full-line on anti-kickback carbide-tipped router bits. Send for a free new router bit catalog. **FREUD**. Free. *Circle No. 1321.*

PRODUCTION QUALITY CARBIDE TIPPED ROUTER BITS—Large discounts. New expanded catalog featuring a huge selection of Carbide Tipped Router Bits, Raised Panel Door Sets, Shaper Cutters, Solid Carbide Bits, The Router Speed Control, plus our unique line of clamps, tools and supplies. Save 50% to 70%. Value, quality, and prompt service guaranteed! **MLCS LTD.** Free. *Circle No. 1350.*

INDUSTRIAL-QUALITY CARBIDE TIPPED ROUTER BITS & SHAPER CUTTERS—Great selection at the best prices for anti-kickback design router bits and shaper cutters. Same day service. Ask about our specials and free catalog. **WOODLINE ARIZONA INC.** Free. *Circle No. 1395.*

HARDWARE/ WOOD PARTS

FREE WOODCRAFT CATALOG FROM CHERRY TREE—68 full-color pages of plans, parts, kits and supplies for all skill levels. Clocks, whirligigs, dollhouses, door harps, banks and many more attractive items—plus wooden dowels, pegs, wheels, knobs, & more. Tools, paint supplies, stencils, stamps and much more! Wholesale prices available. Catalog. **CHERRY TREE TOYS**. Free. *Circle No. 1420.*

INCOME OPPORTUNITIES

SECURE FUTURE IN FURNITURE RESTORATION WITH MINUTEMAN—Earn \$200-\$1,000 per day stripping, repairing, refinishing, mirror resilvering, veneering and more at home or in shop; part- or full-time. We provide complete training; no experience necessary. **FREE** workshop teaches you latest in furniture restoration. Featuring Amity, the first complete line of water-based furniture restoration products. Catalog. **MINUTEMAN**. Free. *Circle No. 1661.*

MISCELLANEOUS

AMERICAN STEEL SPAN BUILDINGS—Designed with the do-it-yourselfer in mind. Our buildings are made in a heavy gauge steel with a 20-year warranty. Everything is pre-cut and pre-drilled, and just bolts together. A quality pre-engineered building with style and structural integrity at a price that everyone can afford. 3 models to choose from! **AMERICAN STEEL MARKETING CORP.** Free. *Circle No. 1780.*

UNDERBED STORAGE DRESSER—Top quality, solid wood, ready-to-assemble kits provide convenient space-saving storage. Can have 3-16 drawers. Start at \$159.00. **FREE** freight for limited time. Send for **FREE** 44-page catalog. **ANDERSON MFG. CO.** Free. *Circle No. 1795.*

MECHANISMS FOR MAKING WOODEN BARREL PENS—Pencils/Roller Ball Pens/Fountain Pens. High quality. Low prices. Wholesale/Retail. Plus other related items. **BEREA HARDWOODS CO.** \$1.00. *Circle No. 1900.*

WIRELESS DRIVEWAY ALARM—A bell rings in your house anytime someone walks or drives into your place. Also, a complete line of wireless security equipment, telephone dialers, power outage sensors, temperature sensors, etc. Be sure to order our free literature today. **DAKOTA ALERT, INC.** Free. *Circle No. 1914.*

THE CUSHION CONTOUR SANDER—is a new concept in pneumatic drum sanding. Sanding sleeves are slid over an air bag (inflated with a hand tire pump) on an arbor to mount it between centers on a wood lathe. Drum effectively takes on profiles, curves, and bevels practically eliminating flat spots and chatter marks. **INDUSTRIAL ABRASIVES CO.** \$1.00 (refunded with first order). *Circle No. 1966.*

SUNSETTER® RETRACTABLE AWNINGS—Outsmart the weather! Don't let the hot sun or a passing shower stop you from enjoying your deck or patio. Send for our video and information package showing how SunSetter Retractable Awnings let you get far more use of your deck, rain or shine. **JIL INDUSTRIES**. \$1.00. *Circle No. 1978.*

DRAWING SOFTWARE—Easy to learn and powerful. Drawingboard Light (LT) is ideal for occasional users of CAD. Use it to plan decks, furniture, cabinets, landscaping, remodeling, office layouts, and much more! No prior experience required. Easiest to use CAD or your money back! The baby brother of the Award-Winning Ashlar Vellum 3D. Limited time offer for free symbols library with LT purchase. LT comes at the incredibly low price of \$49.00. **MCE SOFTWARE**. \$3.00. *Circle No. 1979.*

NATIONAL FLOOD INSURANCE PROGRAM—Most homeowner's insurance policies don't cover flood damage. The NFIP's "Never Say Never" brochure tells you how to cover yourself from a potentially devastating loss. **NATIONAL FLOOD INSURANCE PROGRAM**. Free. *Circle No. 1982.*

HI-TECH ENGRAVING—You don't have to be an artist with the System One High Speed Engraver (400,000 RPM). The incredible high speed combined with SCM's exclusive stenciling system allows you to produce professional results. You can engrave on wood, glass, metal, stone, ceramic, egg shell. It's as easy as writing with a pen. Send for information. **SCM ENTERPRISES**. \$1.00. *Circle No. 1990.*

SALTER INDUSTRIES—Salter Industries manufacture high quality spiral stairs to meet the design needs of today. Oak and brass options are available to combine with a sturdy steel main frame. Stock or custom stairs range in diameter from 3'6" to 7'. Brochure. **SALTER INDUSTRIES**. \$1.00. *Circle No. 1995.*

STEELMASTER BUILDINGS—are available in almost any size for almost any use. From 10' to 100' wide and any length imaginable. Whether you need a back yard shop...

an industrial shop... equipment storage building... whatever your requirements, you'll find a Steelmaster that's just the right size for the job. Our buildings are so easy to construct, most owners opt to construct their buildings themselves which adds up to even bigger savings. Send for information. **STEELMASTER**. \$1.00. *Circle No. 2030.*

IF YOU ARE INTERESTED IN RESTORING ANTIQUES—this 288-page catalog packed with unusual, hard-to-find items is just for you. Included are hundreds of essential items for antique restoration including top quality brass reproduction hardware, oil lamps and accessories, numerous wood component repair parts and kits, caring and basketry supplies, everything needed for wood refinishing, related tools, books, and a complete line of upholstery equipment and supplies. All at wholesale prices. Send for this informative catalog. **VAN DYKE'S RESTORERS**. \$1.00. *Circle No. 2077.*

WHOLESALE GLASS BROKERS—High quality glass shipped to your door directly from the finest manufacturers. Table tops; tempered glass; shelves; beveled glass; custom shapes; 1/2" to 3/4" thick; tinted glass; and much more! Your one-stop discount glass source. Idea catalog. **WHOLESALE GLASS BROKERS**. Free. *Circle No. 2079.*

LEGAL IVORY—Virtually identical to animal ivory. Tagua is the nut from a tropical palm tree. Ideal for jewelry, knobs, small turnings, inlay, or scrimshaw. Available in 3 sizes. Send for information. **WOODWORKERS SOURCE**. Free. *Circle No. 2090.*

PEN, PENCIL PRODUCTION SYSTEM—And equipment and supplies are detailed in free brochure. Anyone can produce high-quality pens and pencils from rare woods. The "WoodWrite" production system provides all equipment, supplies and consumables for your first 50 sets. Contact us for best prices on components and pre-cut, pre-drilled wood blanks. **WOODWRITE, LTD.** Free. *Circle No. 2098.*

CARVING SUPPLIES

PARAPHERNALIA—A sourcebook for everyone who loves to work with their hands. Consisting of ultra high speed engraving (315,000 RPM) carving equipment, training & supplies. We are the founders of ultra high speed engraving equipment & techniques. Serving & supporting since 1983. Free catalog available. Demo video available with refundable deposit. **PARAGRAPHS**. Free. *Circle No. 2160.*

WOODTURNING SUPPLIES

WOODTURNING SUPPLIES!—Best selection of woodturning supplies anywhere. Greatest selection of pen kits, pencil kits, project kits, boxes, and display cases available. Slimlines, "Mont Blanc," "Parker," bottle stoppers, etc. Over 250 different pen blanks including exotics, figured, acrylics, celluloids, and dymondwoods. Carving supplies and books. **WOODCRAFTERS OF OKLAHOMA**. Free. *Circle No. 2195.*

CLAMPS

MERLE ADJUSTABLE CORNER CLAMP—Quick & easy to use. It forces your work into square. Fully adjustable from 2 1/2" x 2 1/2" to 69" x 69". Perfect for clamping picture frames, cabinets, or anything that requires 90° corner clamping. The Merle Clamp is cast aluminum & steel construction, a true industrial quality tool. Send today for information. **MLCS LTD.** Free. *Circle No. 2250.*

CLOCKS

KLOCKIT—The leading supplier of clock-making supplies for over 25 years: Quartz and mechanical movements, clock inserts, dials, easy-to-follow plans and kits for all skill levels. **KLOCKIT**. Free. *Circle No. 2335.*

CLOCK PARTS CATALOG—For the hobbyist and clock enthusiast. Contains clock parts, quartz and mechanical clock movements. Tools for the hobbies and clock repair person. Gift ideas include complete clocks, watches and novelty items. Your satisfaction guaranteed. **S. LAROSE, INC.** Free. *Circle No. 2375.*

FASTENING PRODUCTS

SQUARE DRIVE SCREWS—Thousands agree—once you try them you will never want to use anything else! The square drive recess virtually eliminates work-damaging driver bit "cam-out," the deep threads result in exceptional holding power, and they are heat treated for strength. Sizes from #4 x 3/8" to #12 x 4", with stainless steel, solid brass, brass plated, and zinc plated available. Quantity discounts. Send for literature. **McFEELY'S**. \$1.00. *Circle No. 2450.*

SHOWS & SEMINARS

"THE WOODWORKING SHOWS' MACHINERY, TOOLS AND SUPPLIES"—Hundreds of products for the woodworker demonstrated and sold at discount prices at every "Woodworking Show". In-depth seminars and free workshops on a variety of woodworking topics. Shows are scheduled in 27 cities. Send for free brochure. **"THE WOODWORKING SHOWS"**. Free. *Circle No. 2900.*

Woodworker's Resource

TO ENSURE PROMPT HANDLING OF YOUR ORDER FOLLOW THESE INSTRUCTIONS:

- Circle your choice
- Enclose check or money order for cost of booklets plus \$2.00 service charge (no stamps accepted)
- Send coupon and remittance to address above
- ALLOW 4-6 WEEKS FOR DELIVERY
- Coupon expires June 8, 1998

WOOD SUBSCRIPTION

A 1 year WOOD subscription (9 issues) for \$25.00 (U.S. price)—a \$19.55 savings off newsstand rate (Circle No. 4000). Allow 6-8 weeks for first issue. Be sure to include payment with total below.

Circle numbers below corresponding to items in this issue. Please include \$2.00 for handling charge.

3.....\$1.00	84.....Free	345.....\$3.00	870.....Free	1260.....Free	1780.....Free	2098.....Free
6.....Free	91.....Free	445.....\$3.00	878.....Free	1267.....Free	1795.....Free	2160.....Free
15.....Free	92.....\$1.00	450.....\$1.00	955.....Free	1281.....\$1.00	1900.....\$1.00	2195.....Free
20.....Free	94.....\$2.00	465.....\$1.00	965.....Free	1283.....Free	1914.....Free	2250.....Free
37.....\$1.00	97.....Free	475.....Free	970.....Free	1285.....Free	1976.....\$1.00	2335.....Free
43.....\$1.00	99.....Free	510.....\$1.00	1002.....Free	1290.....\$2.00	1978.....\$1.00	2375.....Free
46.....Free	101.....Free	512.....Free	1075.....\$1.00	1295.....\$1.00	1979.....\$3.00	2450.....\$1.00
48.....\$1.50	110.....Free	592.....\$1.00	1085.....50c	1310.....Free	1982.....Free	2900.....Free
49.....\$2.00	190.....\$1.50	598.....\$1.00	1140.....\$1.00	1312.....Free	1990.....\$1.00	4000.....\$25.00
52.....Free	230.....\$1.00	610.....\$5.00	1142.....\$1.00	1321.....Free	1995.....\$1.00	
75.....Free	310.....\$2.00	615.....\$6.00	1240.....Free	1350.....Free	2030.....\$1.00	
78.....Free	315.....\$1.00	650.....Free	1249.....Free	1395.....Free	2077.....\$1.00	
79.....Free	323.....Free	830.....\$2.00	1250.....Free	1420.....Free	2079.....Free	
83.....Free	326.....\$4.00	860.....Free	1251.....Free	1661.....Free	2090.....Free	

Name (please print) _____

Address _____

City _____

State _____ Zip Code _____

Phone (Optional): _____

I AM ENCLOSING:

\$ _____ for priced items

\$ 2.00 for handling

\$ _____ total remittance

(US dollars only)

For that
"SPECIAL"
project

Made In
Tennessee



IN STOCK

NO
MINIMUM

VARIOUS
WOODS

FREE
COLOR
CATALOGUE



Kits Ready to Assemble & Finish



Adams Wood Products™ L.T.D., L.P.

974 Forest Dr., Dept. M35

Morristown TN 37814 • Phone (423) 587-2942

Circle No. 1002

**WOOD
TOY**



- ★ Patterns
- ★ Parts
- ★ Wheels

★ Many New
Patterns to
Choose
From.



★ Executive
Toys

SEND \$1.00
FOR NEW
CATALOG



toys and joys

Box 628w
Lynden, Wash. 98264

Circle No. 465

"Ahead of the Pack..."

— American Woodworker 10/96

WOOD® Magazine, CREATIVE WOODWORKS, AMERICAN WOODWORKER, and thousands of HEGNER owners agree that HEGNER saws offer many advantages over all other brands. Try one yourself and discover how HEGNER makes it better:

- clean, accurate cuts with no sanding
- easy blade change
- smooth quiet operation
- long blade life
- Safety-Stop upper arm
- Space-saving design
- 6 year warranty



Call or write for your FREE 1997 Catalog

1.800.322.2226

(Please mention Ad 784)

ADVANCED MACHINERY

Dept 784 • P.O. Box 312 • New Castle, DE 19720

<http://www.advmachinery.com>

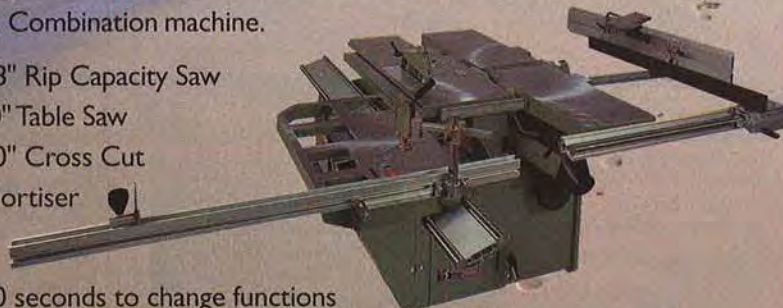
HEGNER makes it better!

Circle No. 3

If you were stranded on an island...
What is the one machine you
couldn't live without? The X3I!

Gilligan would have made it back to civilization sooner, if he had our X3I Combination machine.

- 38" Rip Capacity Saw
- 10" Table Saw
- 50" Cross Cut
- Mortiser



- 20 seconds to change functions
- 12" Jointer/Planer
- Cast Iron Tables
- Three 3HP German Motors
- 3HP Reversible Shaper

Don't get left stranded in the sand...call (800) 234-1976 today, for your FREE

demonstration video.

LAGUNA TOOLS

2265 Laguna Canyon Road • Laguna Beach CA 92651
800-234-1976 • FAX 714-497-1346 lagunatools@earthlink.net

Circle No. 615

SAW YOUR OWN LUMBER AND SAVE

Continued from page 71



How to find free, high-quality logs

I don't own any forested property, yet I have more logs offered to me than I can cut into boards. Here are some things that I've done to keep the logs rolling in.

- Get the word out. Once people know that you are looking for logs, you'll get all sorts of offers. Most people don't have any idea what a chainsaw mill is or how it works, so I take the time to fully explain the process to them.

- Many people feel an emotional attachment to large trees on their property, and they're often intrigued with the notion that the tree will "live on" as lumber in projects. For good public relations I sometimes offer to make for the property owner a small project from a piece of the tree.

- I don't offer to cut down a tree in exchange for the lumber if the

tree is within falling distance of a home or other structure. It just isn't worth the risk. I will offer to cut the limbs into firewood if the tree is felled by a tree service. Often, a tree service charges extra to haul away a large log or cut and chop it into firewood. Recently, I saved a property owner \$150 by sawing up a log left by a tree service.

- Before committing to take a log, drop by to inspect it. Don't waste your time on any log that's less than 12" in diameter, or too full of defects. If it's obvious that the tree contains nails or other metal from such things as tree forts, bird feeders, or barbed wire, then take a rain check. The metal will dull your chain, and the wood will be stained around the metal.

- If you decline to cut down a tree or take a log, explain fully

and politely your reasons. That same person, or someone they know, may some day offer you the log of your lifetime.

- Inquire about housing developments or other projects in your area where trees will be cleared. When a freeway was planned to go through a wooded area, I contacted the landowner. He had sold the logging rights to a lumber company but told me I could take what the loggers left behind. The lumber company spared any tree under 24" in diameter, so I had plenty of good trees to choose from. In the time after the loggers left, and before the highway crew bulldozed the property, I milled 25 oak and walnut logs that would have gone up in smoke. I was in heaven! 🌲

MAKING WOODWORKING EASIER AND MORE ENJOYABLE THROUGH INNOVATIONSM

Slip-Stop COLLARS

908-298 Set of 6 STANDARD	\$22.95
Includes 1 each: (1/8", 3/16", 1/4", 5/16", 3/8", 1/2")	
908-410 Set of 7 METRIC	\$26.95
Includes 1 each: (3mm, 4mm, 5mm, 6mm, 8mm, 10mm, 12mm)	

FREE shipping when ordering from this ad. Mention code WM597
ORDER TOLL FREE 1-800-645-9292
 One year catalog subscription (6 or more issues) \$10.00, or free with your order.

WOODWORKER'S SUPPLY
 "Where the experts buy their toolsSM"
 1108 North Glenn Road • Casper, Wyoming 82601

LEICHTUNG WORKSHOPS
 Fine Products for the Workshop
 A division of Woodworkers SupplySM, Inc.

• STEEL BUILDINGS •

DISCOVER FACTORY DIRECT SAVINGS

FREE 16 PAGE COLOR BROCHURE

- Perfect Back-Yard Shop
- 100% Open & Usable Space
- Do-it-Yourself Construction

ask about our Factory specials and save even more!

Save on Select Sizes:
 25x36 • 30x48 • 45x82 • 50x120

Now it is easier than ever to own the building of your dreams. Call today to discover how much you can save by ordering **FACTORY DIRECT!**

FACTORY DIRECT
 FROM THE FACTORY TO YOU!

Call Now for FREE Info
1 800 888-4606
 (Alaska & Hawaii dial 1-800-527-4044)

STEELMASTER[®]
 PROUDLY MADE IN USA & CANADA

Start Your Own Business! Be Your Own Boss! BE A HOME INSPECTOR

...Unlimited opportunities for ambitious people! No previous experience needed!



Make \$100.00 an Hour—or more!

Make no mistake—the number of home inspections being done each year is on the rise. With today's low home mortgage interest rates, real estate sales are way up—banks and mortgage companies often insist that a home inspection be conducted by a qualified professional prior to sale. This means an incredible increase in demand and in money-making opportunities for trained Home Inspectors. **Qualified Home Inspectors are earning anywhere from \$100 to \$300 per inspection**—and the average home inspection only requires a few hours of time to complete. Think what that means in terms of total weekly earning potential.

WORK PART-TIME HOURS... MAKE A FULL-TIME INCOME!

Another advantage of the home inspection field is that you can work full or part time—often you can pick and choose the hours you work as well. Many Home Inspectors make a very comfortable income just working on the weekend. So whether you want to make additional money in your spare time or start your own full-time business, ICS can help you with training that includes all the basics you'll need!

Look at what you learn:

- Elements of Home Design
- House Construction Basics
- Inspecting Heating and Air Conditioning Systems
- Inspecting Electrical Systems
- Inspecting Kitchens
- Inspecting Appliances
- Environmental Hazards
- Energy Conservation and Code Compliance
- How to Run Your Own Home Inspection Business **AND MUCH, MUCH MORE!**

Look at what you get:



Don't be fooled by other schools who try to duplicate ICS training—we give you all the lessons and equipment you'll need for much lower tuition!

ICS urges you to compare our training to other schools offering similar programs—with ICS you'll get everything you need—lessons, equipment, special supplements for far less tuition. And, with ICS, you can choose from several low monthly payment options at 0% interest!

Program designed by top leaders in the field!

This program was especially developed by experts in the field of home inspection and follows guidelines established by the American Society of Home Inspectors—the premier organization representing the field of home inspection nationwide. With this program you'll train at home in all the important areas of home inspection—from the roof to the foundation, you'll have the knowledge you need to get started fast!

No matter where you live—big city, small town or rural community—you can get the skills you need to break into this lucrative field with the ICS proven distance-education "Quick-Learn" method of instruction.

- Train at home, the hours you choose.
- Keep your present job while you train for a better one.
- No previous experience or special talent needed.
- No technical jargon or boring textbooks.
- Everything is explained in plain English.
- Lessons are broken into "bite-sized" units for quick mastery.
- The most affordable tuition—and the most convenient payment plans—fit every budget. No interest or finance charges ever!

You'll get plenty of practical "hands-on" training, so you'll have the confidence you need to make your home inspection career or business a success.

Mail coupon today for your free information package with all the facts about training at home to be a Home Inspector.

Growth in the real estate market is on its way up. Be ready to take advantage of the unprecedented opportunities that are waiting. Find out how you can train at home in your spare time to make money as a Home Inspector by sending for the complete information package shown here.



Or Call Toll Free:

1-800-595-5505 Ext. 1054

CALL ANYTIME—24 hours a day, 7 days a week.
<http://www.icslern.com>

**If coupon is missing, write directly to:
ICS School of Property Management, Dept. A8DS47S
925 Oak Street, Scranton, PA 18515**

SEND TODAY FOR FREE FACTS...



SCHOOL OF PROPERTY MANAGEMENT Dept. A8DS47S

925 Oak Street, Scranton, PA 18515

YES! Tell me how I can train at home in my spare time for a better job, more money, and a new career or business of my own! No obligation. No salesman will visit. CHECK ONE ONLY!

- | | | |
|--|---|---|
| <input type="checkbox"/> 15 HOME INSPECTOR | <input type="checkbox"/> 04 Auto Mechanics | <input type="checkbox"/> 72 Appliance Repair |
| <input type="checkbox"/> 06 Electrician | <input type="checkbox"/> 25 Gun Repair | <input type="checkbox"/> 89 Small Engine Repair |
| <input type="checkbox"/> 27 PC Repair | <input type="checkbox"/> 87 TV/VCR Repair | Computer Programming |
| <input type="checkbox"/> 44 A+ Cert. Test Prep.* | <input type="checkbox"/> 85 Drafting | <input type="checkbox"/> 01 QuickBASIC |
| <input type="checkbox"/> 14 Air Conditioning/Refrigeration | <input type="checkbox"/> 53 Desktop Publishing & Design | <input type="checkbox"/> 37 Visual Basic |
| <input type="checkbox"/> * For personal enrichment | <input type="checkbox"/> 07 High School | <input type="checkbox"/> 36 Visual C++ |
| | <input type="checkbox"/> 31 Professional Locksmithing | |

Name _____ Age _____
 Address _____ Apt. # _____
 City/State _____ Zip _____
 Phone () _____

LSA

Saw-Filer's Friend

THIS OFFBEAT VISE CAME IN HANDY WHEN SHARPENING A SAW

Most of us cut wood today on a tablesaw equipped with a carbide-tipped blade. Those hard carbide teeth stay sharp for a long time. And even when they aren't perfectly sharp, the saw motor just works a bit harder to compensate.

Not so long ago, though, hand-saws were the norm in wood-working shops. These saws didn't have hard carbide teeth, and they dulled quickly in hard woods. Because a dull saw translated directly into harder work for the craftsman, keeping saws keen was an ongoing concern. Many woodworkers sharpened their own to save both money and time.

Filing the teeth on a handsaw's hardened and tempered blade was relatively easy. Holding the saw while filing the teeth, though, posed a greater challenge.

That's where the odd-looking contraption shown *right* came in. The saw-sharpening vise—also variously known as a saw clamp, saw-filing vise, or saw vise—gripped the saw by the blade. With the blade held rigidly at a convenient angle, as shown *top right*, the craftsman could concentrate on filing the teeth uniformly and accurately.

The vise shown typifies those available from around the turn of the century until the 1940s. A number of makers offered a variety of models, most with easy-opening and -closing jaws about 9" long. While some were designed for permanent bench mounting, the majority featured a

The saw vise's throat depth lets it grip the blade just below the teeth, shown *right*. Levers, *right and below*, allow users to open and close jaws (A) and set vise angle (B) quickly.



clamp for temporary attachment, as shown. Fancier models offered such deluxe features as rubber-lined jaws and ball-and-socket adjustment at the base.

On the vise shown, lever A opens and closes the jaws by cam action. The lever swings about 90° from fully closed to fully open. Lever B adjusts the angle of the vise to the bench. A coarsely threaded pivot bolt screws into this lever, so it, too, loosens and tightens with minimal movement. These quick-acting adjustments allow fast saw positioning.

Saw vises turn up at flea markets and garage sales, often at reasonable prices. (You may find yourself hailed as an antique-tool expert simply by identifying one of these things and knowing what it does.)

While a saw vise has curiosity value, it still comes in handy today doing just what it was intended for all those years ago—holding your handsaw while you touch up the teeth. ♣

Vise, courtesy of F.E. Hanson, Cheyenne, Wyoming.
Photographs: John Hetherington
Written by Larry Johnston

14" BAND SAW
\$ 265⁰⁰

DRUM BRUSH SANDER
\$ 310⁰⁰

6" JOINTER
\$ 345⁰⁰

3 HP 16" PLANER
\$ 725⁰⁰

10" HEAVY DUTY TABLE SAW
\$ 1,075⁰⁰

20" PLANER
\$ 1,225⁰⁰

TRANSPOWER
CP TOOLS, INC. 611 DUGGAN AVE., Azusa CA 91702

Tel: 818-815-9897
Fax: 818-815-9807
Order Desk: 1-800-654-7702

Circle No. 15

Simply the Best...

Performax® owners agree – no other competitor model can compare.

Only Performax offers eleven different models. Only Performax offers patented features and exclusive technology. And only Performax offers the opportunity to see a Performax demonstrated at 200+ dealers worldwide.

We are the sanding specialists. Whether your sanding needs are a few hours on the weekend or all day, everyday, Performax has the model to fit your budget and your needs.

Call us today, let's talk abrasive planing, dimensioning and fine finish sanding in your shop.
1-800-334-4910

12257 Nicollet Ave. So. Burnsville, MN 55337 (612) 895-9922

16-32™ PLUS

Proudly made in the U.S.A.



Circle No. 78

Start Your Own Business CUSTOM ENGRAVING

No Experience Necessary • No Artistic Ability Needed

- 400,000 RPM Engraving Tool
- Unlimited Potential
- Complete Stencils



There is no experience necessary because SCM has developed a business opportunity that will have you producing professional engraving in a few short hours – just by tracing lines!

It's That Easy!

Engrave on...

- Glass • Wood • Metal • Stone • Marble • Eggs

To Find Out

Just How Easy It Is

Call Now For Details...

1-800-755-0261

W140 N5946 Lilly Road • Menomonee Falls, WI 53051 (414) 251-0981



Circle No. 1990

32-page Catalog included with every order

WOODLINE ARIZONA, Inc
P.O. Box 1530 • Payson, AZ 85547

• Best Prices • Same Day Service • Super Selection
Great Router Bits & Shaper Cutters

WOODLINE Cutters feature: • Tough European Carbide
• Euro Anti-Kickback Design • Super-slick Non-stick finish.

Our cutters offer the best, easiest, most efficient way to make cabinet doors with your router!!!

1-piece ROUTER BIT RAIL & STILE CUTTER, just raise bit approx. 3/8" to make matching cut. • No changing bits or reversing the pieces.
• Great fit! Available in Ogee, Roundover, and Cove & Bead profiles

ONLY \$49.00

BUY BOTH Rail&Stile Cutter and Panel Raiser w/undercutter
ONLY \$95.00

Router Bit PANEL RAISER w/undercutter
Tongue thickness perfectly matches groove in Rail & Stile—**everytime!** 5 profiles: Ogee, 15° Face Cut, and Convex, 12° Face Cut w/quarter round, Wave

ONLY \$89.00

2-piece Door Making Sets
Now make your own interior and exterior doors. Both the Router Bit Set and the Shaper Cutter set will do both 1 3/8" and 1 3/4" doors.

Router Bit Set
ONLY \$179.00

Shaper Cutter Set
ONLY \$259.00

WOODLINE 1-piece Shaper Cutter PANEL RAISERS avail. in 3/4" bore and 1 1/4" bore (with 1" bushings). 6 profiles: 12° Facecut w/Quarterround, 15° Facecut, 18° Traditional, Wave, Convex, Ogee.

ONLY \$59.00

One-piece RAIL AND STILE SHAPER CUTTERS
Just raise the bit approx. 3/8" to make the matching cut. • No changing bits • No reversing the pieces. • Just raise and cut—that's all!!! Offered in 3 profiles: Roman Ogee, Roundover, Cove & Bead.

3/4" bore
ONLY \$89.00

1 1/4" bore (with 1" bushings)
ONLY \$99.00

1-piece Flooring/Panelling T&G Cutters
Now make your own Tongue & Groove flooring or panelling with these WOODLINE 1-piece bits. Can be used on 1/2" to 7/8" thick material. Just raise and lower the cutter approx. 3/8" to make the matching tongue or groove.

1/2" shank Router Bit
ONLY \$39.00

3/4" bore Shaper Cutter
ONLY \$59.00

• All Major Credit Cards Accepted • Shipping is only \$3.75 per order • 24 hours a day
Order Toll Free **1-800-472-6950** • 7 days a week

Circle No. 1395

Be a Furniture Restoration Specialist

Discover Minuteman

Complete Shop Concept

Strip • Repair
Touch-Up • Fake Grain
Marbelize • Resilver • Refinish
Duplicate Parts • Repair Frames • Veneer

Why Minuteman?

- Proven, Low-Risk, Cash Return
- **Low Start-Up Costs; Expert Training**
- Environmentally Friendly System
- **Wholesale Supplies**
- Handy Sample Kits Available
- **Systems From \$1,500-\$11,000**
- 28 Years Experience; 3,000+ Shops

No Experience Necessary

◆ Part-Time, Full-Time ◆
Ideal for Men & Women

FREE 2-Day Business Exploration Seminar

No Obligation to buy!
Register Now - Limited Seating!

Call For FREE Catalog

MINUTEMAN, INC.

Ste. 17, P.O. Box 8, Waterloo, WI 53594

1-800-733-1776

Circle No. 1661

FREE! CherryTree

Woodcrafting Catalog



Wishing Well Bird Feeder & dozens more NEW Spring & Summer craft projects!

Hundreds of hard to find Wood Parts plus

Tools, Plans, Clock Movements, Toys, Whirligigs, Paints, Brushes and more, at affordable prices with guaranteed quality & Fast delivery!

NAME: _____

ADDRESS: _____

CITY: _____

STATE: _____ ZIP: _____

Cherry Tree • Box 369-WO57
Belmont, OH. 43718-0369
or call TOLL FREE
1-800-848-4363 ext. WO57

Circle No. 1420

TOOL-INDUSTRY INSIDER

DeWalt takes the plunge into benchtop machinery

When DeWalt makes a big move in the power tool business, its competitors take notice. After all, DeWalt portable power tools didn't even exist prior to 1992. But, it has since captured 40 percent of the portable professional power tool market, according to DeWalt (its competitors peg the number slightly lower). Not surprisingly, DeWalt's new benchtop tools have the industry buzzing.

Here's what we know about DeWalt's first four models in this new line. We briefly worked with some prototype versions of these machines (like the planer below), but we'll reserve making any buying recommendations until we get a chance to give some production samples a thorough shakedown. So stay tuned!

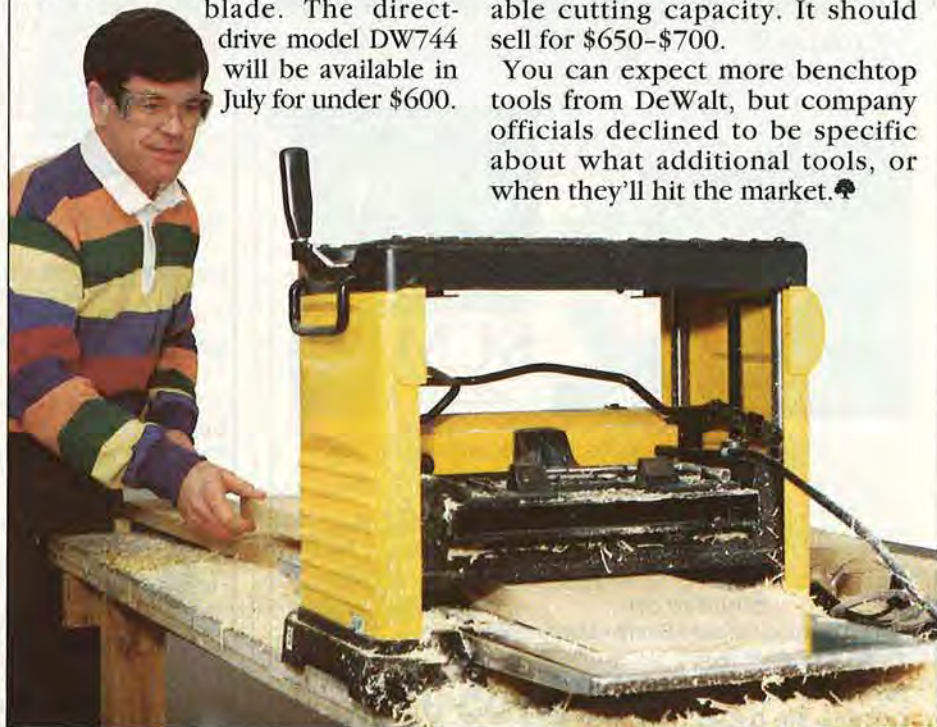
• **10" tablesaw.** Unlike other job-site saws, this 64-pounder has telescoping fence rails that give it 24½" of rip capacity. And, DeWalt says a rack-and-pinion system keeps the fence parallel to the blade. The direct-drive model DW744 will be available in July for under \$600.

• **20" scrollsaw.** This machine has arms that move via a double parallel-link mechanism similar to that found on Excalibur scrollsaws by Sommerville Design. The saw has tool-free blade changing, and up-front controls for on/off, speed (300-1750 spm), and blade tension. DeWalt officials expect the saw to sell for less than \$500. Like the next two products, you should find the model DW788 on store shelves in May.

• **12½" portable thickness planer.** Similar to other new portable planers, this model has a head that locks on four steel posts to decrease sniping, and should sell for \$450 or less. Unlike other thickness planers, the model DW733 has a rotating depth stop—much like the turret stops on plunge routers—for returning to preset thicknesses.

• **12" double-bevel sliding compound mitersaw.** With a 12" blade that bevels 45° left and right, and miteres 50° left and 60° right, the DW708 offers considerable cutting capacity. It should sell for \$650-\$700.

You can expect more benchtop tools from DeWalt, but company officials declined to be specific about what additional tools, or when they'll hit the market. ☛



DELTA TOOLS table with columns: Model, Description, List, Sale. Includes items like 31-280 Sanding Center w/stand, 31-695 6" Belt/9" Disc Sander, 23-700 Wet/Dry Grinder, 23-710 New Sharpening Center, 23-680 6" Bench Grinder 1/4 HP, 11-950 8" Drill Press, 31-460 4" Belt/9" Disc Sander, 40-560 16" 2 speed Scroll Saw, 40-540 NEW 16" var/spd Scroll Saw, 11-990 12" Radial Drill Press, 11-090 32" Bench Grinder Drill Press, 43-505 1/2" Bench Router/Shaper, 22-540 12" Bench Top Planer, 36-220 1/0" Compound Mitre Saw, 18-185 Bench Band Saw, 37-070 NEW 6" v/spd Bench Joiner, 14-650 Hollow Chisel Mortiser, 39-990 10" Radial Arm Saw, 33-055 8-1/4" Sawbuck comp w/wedges, 36-905 30" Unifence, 36-906 50" Delta Unifence, 36-755 10" Tilting Arbor Saw, 17-900 16-1/2" Floor Drill Press, 37-190 6" Deluxe Jointer, 36-275 8-1/4" Builders Saw, 36-210 1/0" Compound Mitre Saw, 36-040 8-1/4" Compound Mitre Saw, 36-070 10" Mitre Saw, 34-555 Sliding Table, 34-444 10" Contractors Table, 36-250 10" Slide Compound Saw, 36-230 12" Compound Mitre Saw, 31-780 Oscillating Spindle Sander, 28-275 14" Band Saw 3/4 HP, 28-280V14" Band Saw 1 HP motor, 34-445 10" Table Saw w/30" fence, 22-675 NEW DC380 15" Planer, 43-355 3/4" Shaper 1-1/2 HP, 37-154 6" Jointer DJ-15.

WAP VACUUMS table with columns: Model, Description, List, Sale. Includes items like 7666FD 10 gallon turbo vacuum, 7666RF-D "Drywall'er" 10 gal turbo vacuum, 7666RF-DAS Above vac w/ auto start, MAKITA TOOLS table with columns: Model, Description, List, Sale. Includes items like 6172DWE 3/8" v/spd Drill Kit w/ 2 batt, 5090DD 3-3/8" Saw Kit 9.6 volt, DA391D 3/8 angle Drill 9.6V, DA391DW 3/8" angle Drill Kit 9.6V, ML900 Incandescent Flashlight 9.6V, 6095DWE9.6 volt Drill Kit w/2 batt, 6095DWLE2 6095DWE w/flashlight, 6095DD 6095DWE Drill only & case, 632002-4 9.6 volt Battery, 632002-4 7.2 volt Battery, 6211DWH6 9.6V 3/8" Drill Kit w/2 batt, 6211DWH6 12V 3/8" Drill Kit w/2 batt, 6311DWH6 12V 1/2" Drill Kit w/2 batt.

1997 TOOL CATALOG AVAILABLE Call Toll-Free 1-800-328-0457 In Minn. Call (612)224-4859 FAX: (612)224-8263 CHECK - MONEY ORDER - VISA - MASTERCARD - DISCOVER SEVEN CORNERS ACE HDW, INC. 216 West 7th St. - St. Paul, MN 55102 - Est. 1933

DEWALT TOOLS table with columns: Model, Description, List, Sale. Includes items like DW321K NEW Jigsaw Kit, DW321K comes w/ Free 8 piece blade set, DW364 7-1/4" Circ. Saw w/break, DW610 1-1/2 HP 2 handle Router, DW411 1/4 sheet Palm Sander, DW100 3/8" Drill, 4 amp, 0-2500 rpm, DW622K Biscuit Joiner with case, DW705 1/2" Compound Mitre Saw, DW705K DW705 with 80 tooth blade, DW625 3 HP v/ spd Plunge Router, DW625 router comes with DW6966 fine depth adjuster and 8-piece template guide set, DW621 NEW 2 HP Plunge Router, DW621 comes with Free DW6956 fine height adjuster, DW675K 3-1/8" Planer with case, DW431 3 x 21 v/spd Belt Sander, DW421 5" Palm Ran. Orb Sander, DW444 6" Ran Orb Sander, DW443 DW444 w/hook & loop pad, DW673KNEW Laminate Trimmer Kit, DW935K 14.4V 5-3/8" Trim Saw Kit with 2 batteries.

AIRY AIR NAILERS table with columns: Model, Description, List, Sale. Includes items like 02415K Brad Nailer 3/8" x 1 9/16", 02505K Brad Nailer 3/4" x 2", 06265K 1/4" Crown Stapler 3/8" x 1", 0645 1/4" Crown Stapler 3/4" x 3/8", Above Nailers come w/case, fasteners, oil & wrenches, 0565T Angle Finish Nailer 1"-2-1/2" x 3/16", RECORD WOODWORKING VISES table with columns: Model, Jaw Width, Opening, List, Sale. Includes items like 53E 10-1/2" x 15", 52D 7" x 8", 52-12D 9" x 13", 231 NEW 2 HP Plunge Router with dog, 231 NEW 2 HP Plunge Router with dog, PORTA NAILER table with columns: Model, Description, List, Sale. Includes items like 401 Porta Nailer complete, 501 Face Nailer complete, DAVID WHITE table with columns: Model, Description, List, Sale. Includes items like LP6-20 Sight Level package - 20x, LP6-20XL LP6-20 w/9056 lipod & 7620 rod, L7B-300P above Level w/ optical plumb89, L7B-300P Level Transit - 20x, L76-900Auto Level - Transit - 18x, ALTP6-900 above Level with tripod & rod, ALP6-18HD above Level w/lipod & rod, LL100 Finish Line Laser Level, ML200 NEW Visible Beam Laser, ML200 ML200 w/ detector & rod bracket, RYOBI SPECIALS table with columns: Model, Description, List, Sale. Includes items like RE600 3 HP Plunge Router, BE321 3"x21" v/ spd Belt Sander, BT3000 10" Table Saw w/stand, AP12 1/2" Bench Planer, OS540 Oscillating Spindle Sander, HT20VSK NEW Multi Tool, C1215K 12V cordless Drill w/ 2 batt, CD1442K 14.4V 3/8" Drill Kit, WDS1600 16" x 3" Drum Sander, DBJ50 NEW Detail Biscuit Joiner.

MILWAUKEE TOOLS table with columns: Model, Description, List, Sale. Includes items like 6527 NEW Sawzall with case, 6526 above Sawzall w/wired cord, 6537-2 6527 w/quick lock blade change, 0408-6 12V Drill w/keys chuck&2 batt, 0224-1 3/8" Drill 4.5 amp magnum, 0234-1 1/2" Drill 4.5 amp 0-850 rpm, 0235-1 1/2" Drill w/keyless chuck, 0244-1 1/2" Drill 4.5 amp 0-600 rpm, 0222-1 3/8" Drill 3.5 amp 0-1000 rpm, 0228-1 3/8" Drill 3.5 amp 0-1000 rpm, 0375-1 3/8" close quarter Drill, 0379-1 1/2" close quarter Drill, 6546-1 6546-1 scdls Scrdvr 200 & 400 rpm, 6547-1 6547-1 w/bits, 1-1/2" chuck & cs, 5399 1/2" D-handle Hammer Drill, 5397 Original SawZall with case, 5397-1 3/8" v/ spd Hammer Drill, 5371-1 1/2" v/ spd Hammer Drill, 3107-1 1/2" v/ spd right angle Drill, 3300-1 1/2" v/ spd right angle Drill, 5682 Router 2 HP w/ collets, 6142 4-1/2" Grinder w/cse & acc, 6365 7-1/4" Circular Saw 13 amp, 6368 6365 w/fence, blade, & cse, 6256 Top Handle Jig Saw, 6490 10" Mitre Saw, 6491 6490 w/ carbide blade & bag, 6494 10" Compound Mitre Saw, 0431-1 12V Drill w/ 2 batteries, 6266-6 NEW Top Handle Jig Saw, 6496 10" Slide Compound Saw.

NEW CORDLESS DRILLS table with columns: Model, Description, List, Sale. Includes items like 6095DWE9.6 volt Drill Kit w/2 batt, 6095DWLE2 6095DWE w/flashlight, 6095DD 6095DWE Drill only & case, 632002-4 9.6 volt Battery, 632002-4 7.2 volt Battery, 6211DWH6 9.6V 3/8" Drill Kit w/2 batt, 6211DWH6 12V 3/8" Drill Kit w/2 batt, 6311DWH6 12V 1/2" Drill Kit w/2 batt, WITH 2.0 AMP HIGH CAPACITY BATTERIES table with columns: Model, Description, List, Sale. Includes items like 6231DWAE 12V 3/8" Drill Kit, 6233DWAE 14.4V 3/8" Drill Kit, SUPER CORDLESS SPECIALS table with columns: Model, Description, List, Sale. Includes items like 6073DW 7.2V cds Drill Kit, T220DW 9.6 volt Stapler Kit, 9900B 3"x21" Belt Sander w/bag, 4924DB 3"x24" Belt Sander w/bag, 4931BV Orb. var. spd Jig Saw 3.5A, JR3000V v/ spd Recip Saw w/case, 9920-2 Blade Sharpener, N1900B 3-1/4" Planer with case, 1912B 3-1/2" Planer, N9514B 4" Disc Grinder 4.6 amp, 34300R3W/8" Angle Drill, 2708W 8-1/4" Table Saw, 6405 3/8" Drill Rev. 0-2100 rpm, 6510LVR 3/8" Drill Rev. 0-1050 rpm, 6013BR 1/2" Drill Rev. 6 amp, 9401 4" x 24" Belt Sander w/bag, 5007NBK7-1/4" Circ Saw w/case, 5037NB 7-1/4" Circular Saw, LS1011 10" Slide Compound Saw, LS1211 12" Slide Compound Saw, 3901 Plate Joiner Kit, 3612C NEW 3 HP Plunge Router, LS1040 NEW 10" Compound Mitre Saw, SENCO AIR NAILERS table with columns: Model, Description, List, Sale. Includes items like SFN1 Finishing Nailer 1" - 2" w/cs, SFN2 Nailer 1-7/8" - 3-1/4", SLP20 Pinner w/cs 5/8" - 1-5/8", SKS Stapler 5/8" - 1-1/2", SN70 Framing - Clip Hd 2"-3-1/2", SN60 Framing - Full Hd 2"-3-1/2", SFN85 15% more power than SN60, SFN40 Finish Nailer 1-1/4" - 2-1/2", BOSTITCH AIR NAILERS table with columns: Model, Description, List, Sale. Includes items like N80S-1 Stick Nailer, N80C-1 Coil Nailer, RN45 Coil Roof Nailer 3/4" - 1-3/4", N60FN-2K Finishing Nailer w/cse, BT35-2 Brad Tacker 5/8" - 1-3/8", BT35-2K BT35-2 w/cse, oil, & brads, CWC100 1 HP Pancake Compressor, MIIFS Flooring Stapler 15 gauge, S325X-1 Finish Stapler-1/2" - 1-3/8", S325X-1K S325X-1 w/cse & oil, SKIL TOOLS table with columns: Model, Description, List, Sale. Includes items like 77 7-1/4" Worm Drive Saw, 77M 7" Mag Worm Saw, PANASONIC CORDLESS table with columns: Model, Description, List, Sale. Includes items like EY6181CRKW 9.6V Drill Kit w/ 2 batteries, EY6100EQKW 12V Drill Kit w/ 2 batteries, EY6100SEOK Same as above but has 1 Ironman battery and 1 diagnostic battery, EY6101SOK 12 volt 1/2" Drill w/ 15 min. charger, diagnostic battery, EY6101EOKW Same as above but has two Ironman batteries, EY3502EQKW NEW 4-3/8" 12V Metal Cutting Saw Kit, PASLODE IMPULSE GUNS table with columns: Model, Description, List, Sale. Includes items like IM250 Tripulse Finish Nailer Kit, IM325 Impulse Framing Nailer Kit, CT325SS Cds Finishing Nailer Kit, CLAYTON OSCILLATING SPINDLE SANDERS table with columns: Model, Description, List, Sale. Includes items like 140 Portable snder w/ 4-1/2" spindle, 146 Portable snder w/ 9" spindle, FT2000E 3-1/4 HP variable speed Plunge Router, J5102 Biscuit Jointer w/fence & cs.

NEW Dewalt 18 volt Cordless Drills DW995K 1/2" Drill Kit Sale 229 DW997K 1/2" Drill/Hammer Drill Kit Sale 249 DW996K Saw Kit Sale 249 DW995KS-2 DW995K Drill, DW996K Saw and case Sale 395

DEWALT CORDLESS DRILLS table with columns: Model, Description, List, Sale. Includes items like DW952K 3/8" variable speed w/ two 9.6V XR batteries, DW962K-23/8" variable speed w/ two 9.6V XR batteries, DW972K-23/8" variable speed w/ two 12V XR batteries, DW904 12 volt flashlight, DW972K-2 drill & DW904 flashlight, DW991K-23/8" variable speed w/ two 14.4V XR batteries, DW994KQ 1/2" variable speed w/ one 14.4V XR battery, DW994KQ-2 above drill w/ 2 batt, DW996K-21/2" v/spd w/ 2 14.4V XR batt, DW991KS-2 DW991K drill, DW995K trim saw, HITACHI TOOLS table with columns: Model, Description, List, Sale. Includes items like C8FB2 8-1/2" Slide Compound Saw, C10FC 10" Mitre Saw, C10FS 10" Slide Compound Saw, C15F 15" Mitre Saw, NR83A Framing Nailer 2 - 3-1/2" Full Head, NR83AA Framing Nailer 2 - 3-1/2", NV45AB Coil Roofing Nailer 7/8 - 1-3/4, EC6B 1 HP Oil Compressor, EC6C 1 HP Oil-less Compressor, C7SB 7-1/4" Circular Saw, FDS10DVA 9.6V Drill Kit w/ flashlight, BIESEMEYER FENCES table with columns: Model, Description, List, Sale. Includes items like B-50 50" Commer. Saw, T-SQUARE 52 52" Homeshop, T-SQUARE 40 40" Homeshop, T-SQUARE 28 28" Homeshop, PONY CLAMP FIXTURES table with columns: Model, Description, List, Sale. Includes items like 50 3/4" Black Pipe, 52 1/2" Black Pipe, BOSCH table with columns: Model, Description, List, Sale. Includes items like 1567VS Top Handle "CLIC" Jig Saw, 1567VSK 1567VS saw with case, 1564VSC 1567VS "CLIC" Jig Saw, Bosch Metal Case for above Jig Saws, Bosch 30 blade assortment for Jig Saws, 1564VS or 1567VS with steel case and 30 Bosch blades, 3270DVS 3"x21" v/spd Belt Sander, 1276D 4"x24" Belt Sander, 1275DVS 3"x24" v/s Belt Sndr, 1276DVS 4"x24" v/s Belt Sndr, 1347AK 4-1/2" Grinder w/cs & acc., 1194VSR1/2" v/ spd Hammer Drill, 1194VSRK above Drill w/ case, 1604A 1-3/4 HP 2 Handle Router, 1604AK same as above w/cse & acc, 1613EVS 2HP v/s Plunge Router, 1615EVS 3 HP v/s Plunge Router, 1634VSK Recip Saw 10.5 amp, 3310K 12V Thandle Drill Kit, 3610K 14.4V Drill Kit, 3107DVS 5" Random Orbit Sander, 3107DVS 3107DVS with case, 3725DVS 5" Random Orbit Sander, 3727DVS 6" Random Orbit Sander, 83915 1/0" Slide Compound Saw, 87000 Corner Detail Sander, 87001 87000 w/ variable speed, 84050 In Line Jig Saw, 11224VSR 7/8" SDS Rotary Drill, STABILA LEVELS table with columns: Model, Description, List, Sale. Includes items like 24740 24" Angle Setter Level, 24640 24" Level w/ hand holes, 24670 48" Level w/ hand holes, 24680 72" Level w/ hand holes, 27170 48" Level w/ hand holes, 27000 78" Level w/ hand holes, 60LMS NEW Laser Level System.

Msx6362 FEIN Triangle Sander v/spd, Msx625 FEIN New Air Triangle Sander, LPN672 PONY Air Palm Nailer w/glove, RTM01 ROTOZIP Drywall cut out unit, QUAL-CRAFT PRODUCTS table with columns: Model, Description, List, Sale. Includes items like 2201 Pump Jack, 2203 Pump Jack guard rail holder, 2204 Workbench & rail holder, 2205 Adjustable Roofing Bracket, 2601 Wall Jack, PORTER CABLE table with columns: Model, Description, List, Sale. Includes items like 9444 New Profile Sander Kit, 97499 7499 w/cse & bits, 90690 690 Router w/ steel case, 691 1-1/2 HP Router D-handle, 693 1-1/2 HP Plunge Router Base, 693 Plunge Router Base, 3252V 3x21v/s Belt Sander w/bag, 360 3"x24" Belt Sander w/ bag, 360V5 360 V5 Sander w/ variable speed, 362 4"x24" Belt Sander w/ case & bits, 362V5 362 Sander w/ variable speed, 97751 1/2" v/spd Hammer Drill, 9125 NEW 3-1/4" Planer Kit w/case, 9119 Porta Table Kit 7 amp, 9055 1/2 sheet Pad Sander, 97549 Top handle Jig Saw 4.8 amp w/cse & blades, 330 Speed Block Sander 1/4 sheet, 356 Biscuit joiner w/5556 fence, 345 6" Saw Boss 9 amp, 9345 345 comp w/cse & carb blade, 9647 TIGER Cub Recip. Saw, 9347 Full var/spd Recip Saw 8 amp, 7519 3-1/4 HP Router 2 Handle, 7518 3-1/4 HP 5 speed Router, 7330 3-1/4HP v/spd Plunge Router, 7310 5.6 amp Laminate Trimmer, 97310 Laminate Trimmer Kit comp, 7335 5" Random Orbit Sander, 97355 7335 w/cse & dust pick-up, 7336 6" Random Orbit Sander, 7366 7336 w/cse & dust pick-up, 73333 Dust Collector w/round head, 332 Palm Grip Rndm Orb Sander, 333 above sander with dust bag, 334 333 Sander with PSA pad, 510 Pocket Cutter with case, 347K 7-1/4" Framers' Circ Saw with plastic case, 743K 7-1/4" Framers' Circ Saw with case - left hand version, 447 347 Saw w/ brake & case, 7800 Drywall Sander, 7807 Tiger Recipro Saw, 8125 Brad Nailer - 18 ga. 5/8" - 1-1/4", 8126 Brad Nailer - 18 ga. 3/4" - 2", 8125 Finish Nailer - 16 ga. 1"-2-1/2", 8125 Angle Nailer - 15 ga. 1-1/4" - 1-1/2", FC350 Framing Nailer - clipped head, 8930 NEW 9.6V Drill Kit w/ 2 batt., 8962 NEW 12V Drill Kit w/ 2 batt., 8972 NEW 14.4V Drill Kit w/ 2 batt.

FREUD CARBIDE TIPPED SAW BLADES table with columns: Item, Description, Teeth, List, Sale. Includes items like LU72M010 Gen Pur. A.T.B. 10", LU82M010 Cut-off 10", LU84M011 Comb 10", LU85M010 Super Cut-off 10", LM27M010 Ripping 10", LU73M010 Cut off 10", LU78M010 Thin Kerf 10", LU88M010 Thin Kerf 10", LU98M010 Ultimate 10", LU91M010 Compound Mitre 10", F410 Quiet Blade 10", F810 Quiet Blade 10", TK303 7-1/4" Finishing, TK906 10" Combo, SD308 8" Dado Carbide, SD505 6" carbide w/case & shims, SD508 8" carbide w/case & shims, FB100 16 piece Forstner Bit Set, 94-100 5 pc. Router Bit Door System, BF3 Router Table, JF5 NEW Top Handle Jig Saw, FT2000E 3-1/4 HP variable speed Plunge Router, J5102 Biscuit Jointer w/fence & cs.

NEW FREUD CARBIDE DADO BLADES table with columns: Model, Description, List, Sale. Includes items like SD506 6" dial-a-width dado, SD508 8" dial-a-width dado, SD208 8" economy dado.

TOOLSALE AMERICA'S LOWEST PRICED TOOLS FREE FREIGHT TO THE CONTINENTAL STATES ON EVERY ITEM PRICES SUBJECT TO CHANGE WITHOUT NOTICE

DEWALT High Performance Industrial Tools table with columns: Model, Description, List, Sale. Includes items like DW995K 1/2" Drill Kit Sale 229, DW997K 1/2" Drill/Hammer Drill Kit Sale 249, DW996K Saw Kit Sale 249, DW995KS-2 DW995K Drill, DW996K Saw and case Sale 395.

MSX6362 FEIN Triangle Sander v/spd, MSX625 FEIN New Air Triangle Sander, LPN672 PONY Air Palm Nailer w/glove, RTM01 ROTOZIP Drywall cut out unit, QUAL-CRAFT PRODUCTS table with columns: Model, Description, List, Sale. Includes items like 2201 Pump Jack, 2203 Pump Jack guard rail holder, 2204 Workbench & rail holder, 2205 Adjustable Roofing Bracket, 2601 Wall Jack, PORTER CABLE table with columns: Model, Description, List, Sale. Includes items like 9444 New Profile Sander Kit, 97499 7499 w/cse & bits, 90690 690 Router w/ steel case, 691 1-1/2 HP Router D-handle, 693 1-1/2 HP Plunge Router Base, 693 Plunge Router Base, 3252V 3x21v/s Belt Sander w/bag, 360 3"x24" Belt Sander w/ bag, 360V5 360 V5 Sander w/ variable speed, 362 4"x24" Belt Sander w/ case & bits, 362V5 362 Sander w/ variable speed, 97751 1/2" v/spd Hammer Drill, 9125 NEW 3-1/4" Planer Kit w/case, 9119 Porta Table Kit 7 amp, 9055 1/2 sheet Pad Sander, 97549 Top handle Jig Saw 4.8 amp w/cse & blades, 330 Speed Block Sander 1/4 sheet, 356 Biscuit joiner w/5556 fence, 345 6" Saw Boss 9 amp, 9345 345 comp w/cse & carb blade, 9647 TIGER Cub Recip. Saw, 9347 Full var/spd Recip Saw 8 amp, 7519 3-1/4 HP Router 2 Handle, 7518 3-1/4 HP 5 speed Router, 7330 3-1/4HP v/spd Plunge Router, 7310 5.6 amp Laminate Trimmer, 97310 Laminate Trimmer Kit comp, 7335 5" Random Orbit Sander, 97355 7335 w/cse & dust pick-up, 7336 6" Random Orbit Sander, 7366 7336 w/cse & dust pick-up, 73333 Dust Collector w/round head, 332 Palm Grip Rndm Orb Sander, 333 above sander with dust bag, 334 333 Sander with PSA pad, 510 Pocket Cutter with case, 347K 7-1/4" Framers' Circ Saw with plastic case, 743K 7-1/4" Framers' Circ Saw with case - left hand version, 447 347 Saw w/ brake & case, 7800 Drywall Sander, 7807 Tiger Recipro Saw, 8125 Brad Nailer - 18 ga. 5/8" - 1-1/4", 8126 Brad Nailer - 18 ga. 3/4" - 2", 8125 Finish Nailer - 16 ga. 1"-2-1/2", 8125 Angle Nailer - 15 ga. 1-1/4" - 1-1/2", FC350 Framing Nailer - clipped head, 8930 NEW 9.6V Drill Kit w/ 2 batt., 8962 NEW 12V Drill Kit w/ 2 batt., 8972 NEW 14.4V Drill Kit w/ 2 batt.

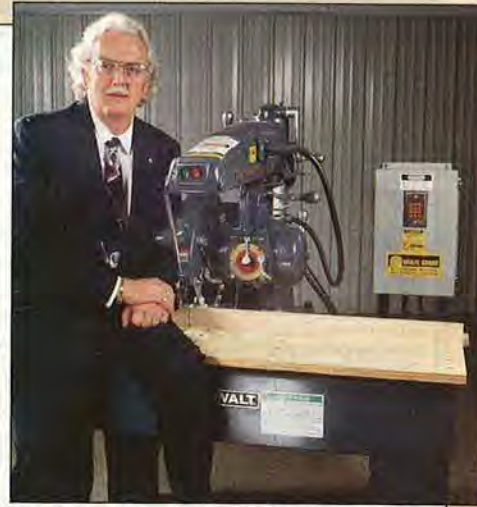
NEW FREUD CARBIDE DADO BLADES table with columns: Model, Description, List, Sale. Includes items like SD506 6" dial-a-width dado, SD508 8" dial-a-width dado, SD208 8" economy dado.

Still sawing, and sawing, and sawing

Referred to by many commercial woodworkers as the Cadillac of radial-arm saws, the DeWalt line was discontinued by Black & Decker in the 1980s. The Lancaster Machinery Company of Pennsylvania next built the saws under the Original Radial Arm name until 1990. Then, the company was sold to a Britt, Iowa, firm that still makes new ones.

But Wolfe Machinery, of Johnston, Iowa, believes in the first version of the DeWalt radial-arm. So it now offers completely refurbished and warranted mod-

els, service, new replacement parts, and safety upgrades to meet OSHA, ANSI, and insurance standards. According to Chuck Wolfe, head of the company, the timeworn DeWalt saws are carefully restored to original factory standards and should last 30-40 more years. The 8-46" saws (the largest are called "timber cutters") sell for up to 50 percent less than comparable new saws. For details, call 800/345-6659 (fax 515/270-0628) or write Wolfe Machinery Co., P.O. Box 497, Johnston, IA 50131-0497.



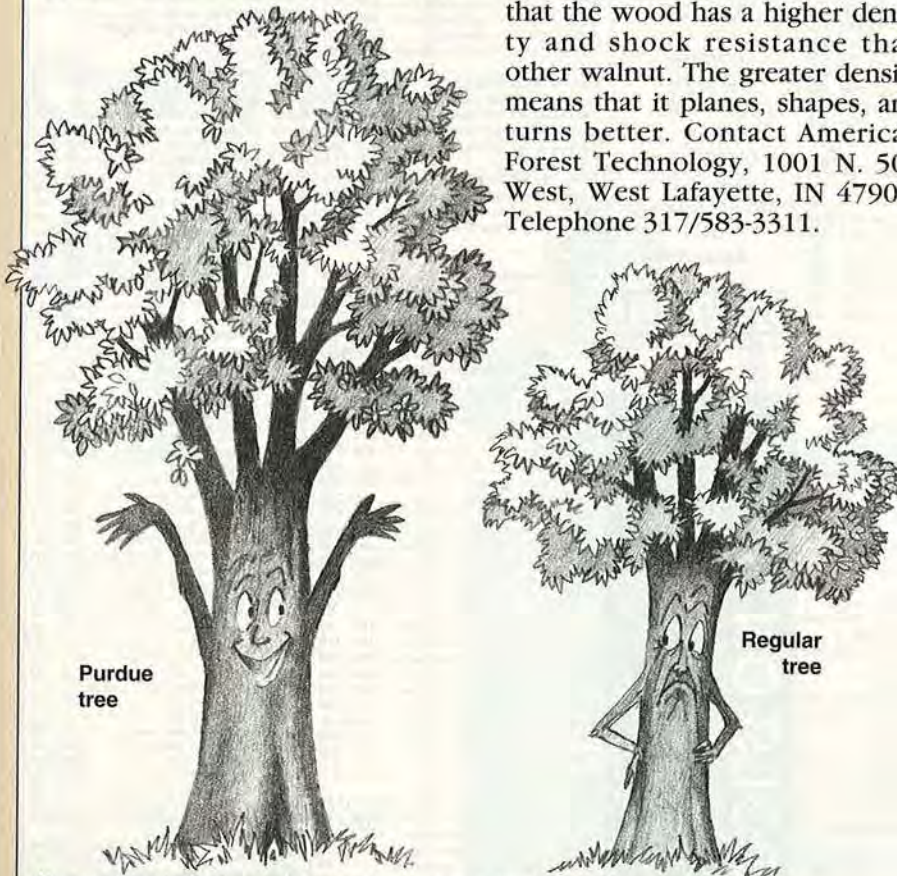
Chuck Wolfe runs Wolfe Machinery, an Iowa company that puts new life into vintage DeWalt radial-arm saws by completely refurbishing them. The line was discontinued in the 1980s.

Better black walnut, and quicker, too

Thanks in part to over three decades of research at Purdue University, tree farmers can now plant walnut trees that mature in 25 to 35 years. The genetically superior trees grow 18.5 percent faster than their parent trees, which were earlier strains developed and patented by the univer-

sity, says Norman O'Bryan, president of the Indiana firm that developed and markets the "super" trees.

Not only does the new walnut variety produce more veneer-grade wood faster, tests at the USDA Forest Products Laboratory in Madison, Wisconsin, indicate that the wood has a higher density and shock resistance than other walnut. The greater density means that it planes, shapes, and turns better. Contact American Forest Technology, 1001 N. 500 West, West Lafayette, IN 47906. Telephone 317/583-3311.



Photographs: John Hetherington; James Elliott Illustration: Jim Stevenson

Lunker lures

Sparked by the article "In search of Moby Dick" on this page in the September 1995 issue, reader James Elliott of Ellwood City, Pennsylvania, sent in the photo below. It's Ed Latiano, a friend of Jim's, with some giant-sized replica fishing lures that he made from old cedar telephone poles.

Ed, 86, has been making functional wooden fishing lures for over 50 years. He turns them on a lathe, then paints them with an airbrush. He sells large ones, such as those shown, to collectors and tackle shops for display. ♣

Below: Hanging from the railing in front of Ed Latiano are replicas of famous lures from the past. From left: Heddon Vamp, Shakespeare Slim Jim, Heddon Strawberry Vamp, Creekchub Pikie, and Ready Eddy Jerkbait.



IN ADDITION TO FURNITURE AND CABINETRY, IT'S ALSO QUITE GOOD AT BUILDING REPUTATIONS.

THE CRAFTSMAN PLUNGE ROUTER. IT HAS A 3 1/2 HP SOFT-START MOTOR TO

ELIMINATE JUMPING. INFINITE DEPTH SETTINGS. ELECTRONIC SPEED CONTROL TO

ADJUST TO WOOD HARDNESS. AND HANDLE-MOUNTED FINGERTIP CONTROLS. ADD

TO THAT A SELECTION OF OVER 200 DIFFERENT ROUTER BITS AND ACCESSORIES

AND YOU WON'T JUST BE WORKING WOOD, YOU'LL BE WORKING MIRACLES.

CRAFTSMAN

EXCLUSIVELY AT SEARS AND SEARS HARDWARE STORES



A tablesaw built with you in mind



and the experts agree, **IT IS!**

The independent bimonthly magazine, **Shop Notes**, tested the **JET**, Delta, Sears, Grizzly, Powermatic, and AMT 10" tablesaws.

All three experts chose **JET!**

Ken:

"...I'd go with the **JET** in a heartbeat."

Steve:

"**JET** makes it my first choice."

Cary:

"**JET**...I chose it ..."



Dust hood with 4" outlet is built-in for easy hook-up to your collection system.



Totally enclosed, fan-cooled motor. Quick-connect plug requires no wiring; just plug in male and female connectors.



Heavy-duty push button switch positioned for convenience and safety.

JET
EQUIPMENT & TOOLS

For the name of the **JET** dealer nearest you
call 1-800-274-6842